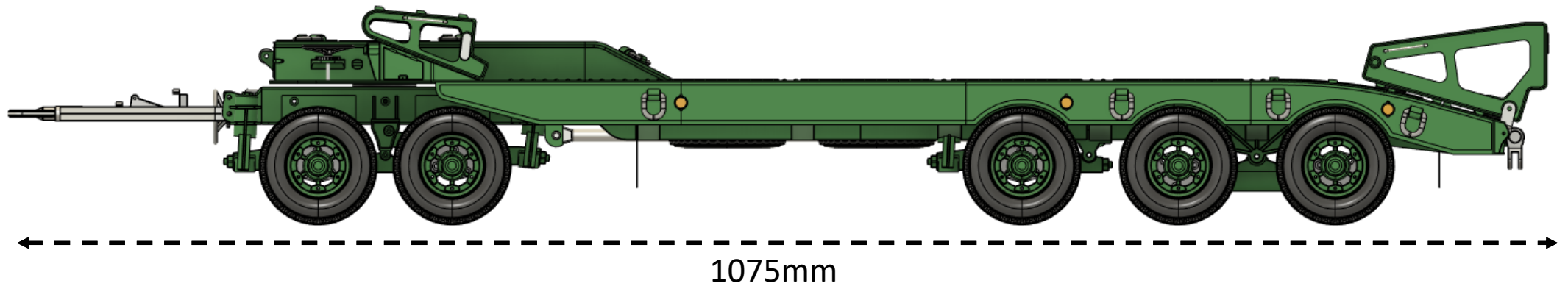


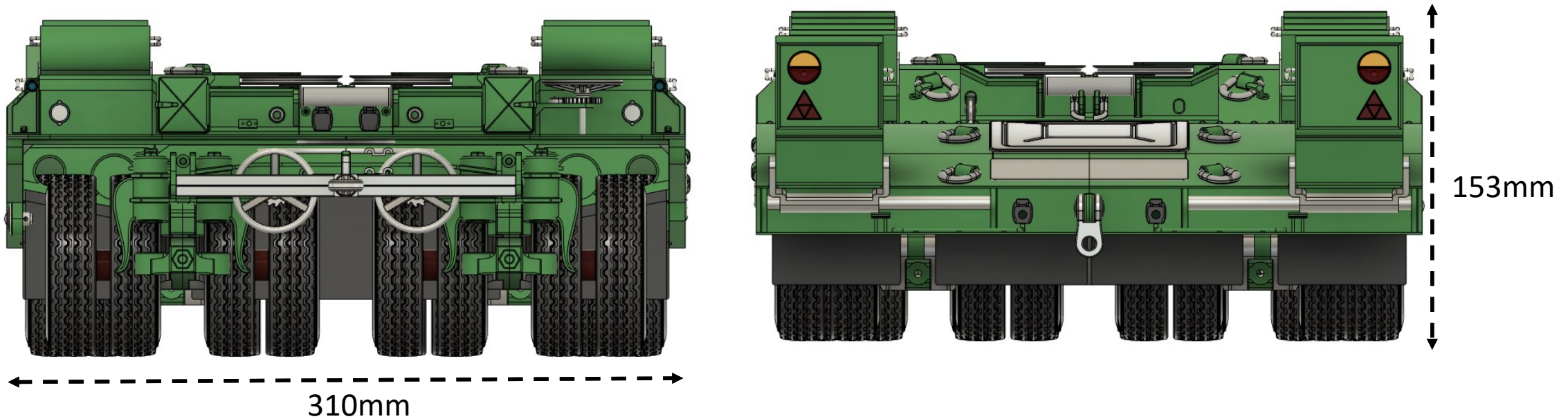
Transporta P50 1/10

CONSTRUCTION INSTRUCTIONS

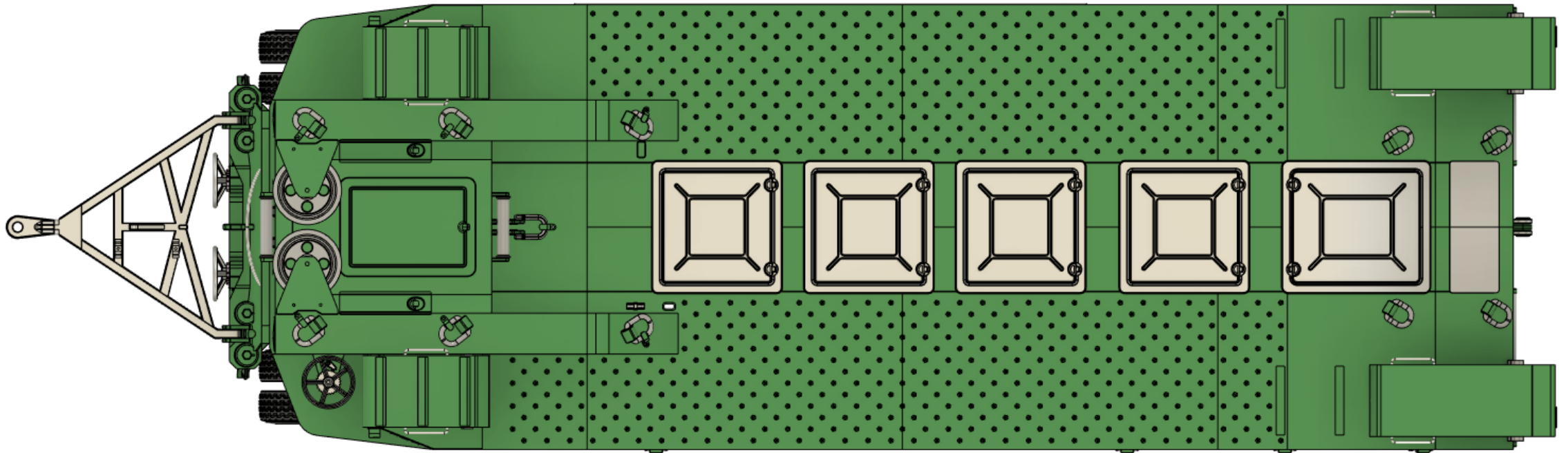
Transporta P50 1/10



Transporta P50 1/10



Transporta P50 1/10



www.mlmodel.cz



Introduction...

Thank you for purchasing the STL files of the model.

Some parts may not exactly match the pictures in this manual but are modified or improved parts later.

When building a model, be at least three steps ahead in the instructions. This will help you better understand what is intended and avoid potential problems.

The model is demanding for precise gluing.

If you have a problem with construction or printing, do not hesitate to contact the FCB group:

[Facebook Mlmodel](#)

Print settings

Nozzle: 0.4mm

Extrusion width: 0,45mm - 0,5mm

Layer height: 0.15 mm – 0.25 mm

Filling: 5% - 50%

Perimeters: 3

Use 5 perimeters and 80% fill for axles.

Supports are at your discretion.

What you need...

3D printer with a print area of 220x220mm (in the case of a smaller print area, contact me and I will divide the part. Maximum minimum is 200x200mm)

3kg of quality filament

1kg FLEX filament (parts are marked FLEX)

2m CLEAR filament (parts are marked CLEAR)

CA Medium glue + activator

Paints for possible dyeing

Shopping list...

Bearing 10x15x4 80pcs	• Aliexpress	Compression spring 9x45mm wire 0,6mm 12pcs	• Aliexpress
Bearing 15x21x4 2pcs	• Aliexpress	Tension spring 3x40mm wire 0,3mm 2pcs	• Aliexpress
Brass wire 2mm	• peckamodel.cz	LED 3mm white warm 2pcs	• gme.cz
Brass wire 1mm	• peckamodel.cz	LED 3mm yellow 2pcs	• gme.cz
		LED 3mm red 2pcs	• gme.cz
		Wires to LEDs	• gme.cz

Shopping list...

DUPONT connector 2x2P 8pcs

• laskakit.cz

DUPONT connector female pin
16ks

• laskakit.cz

DUPONT connector male pin
16pcs

• laskakit.cz

Neodymium magnets disc 8x3mm
4pcs

• [Aliexpress](https://aliexpress.com)

Neodymium magnets disc 6x2mm
16pcs

• [Aliexpress](https://aliexpress.com)

Shopping list - screws

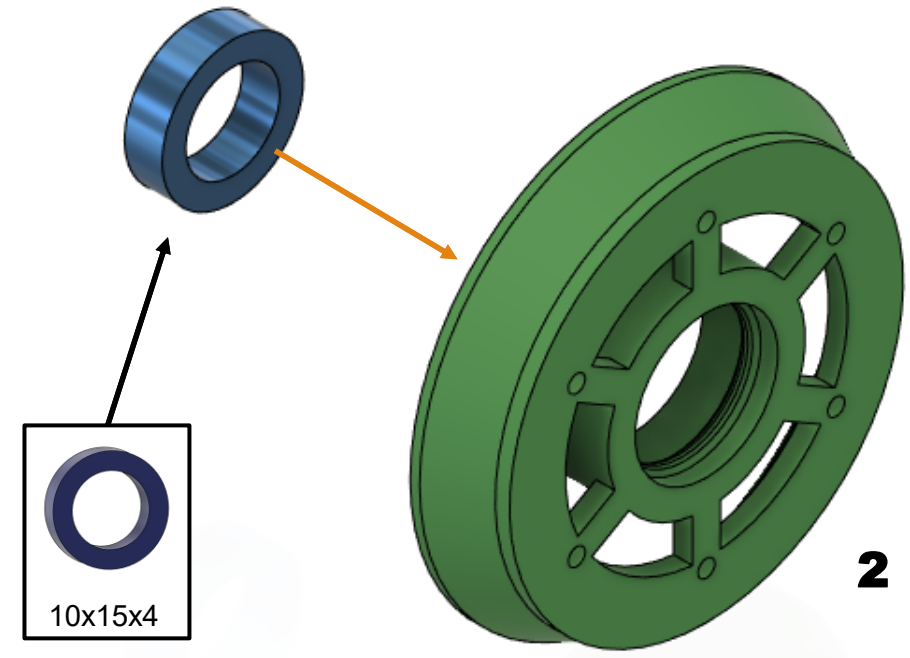
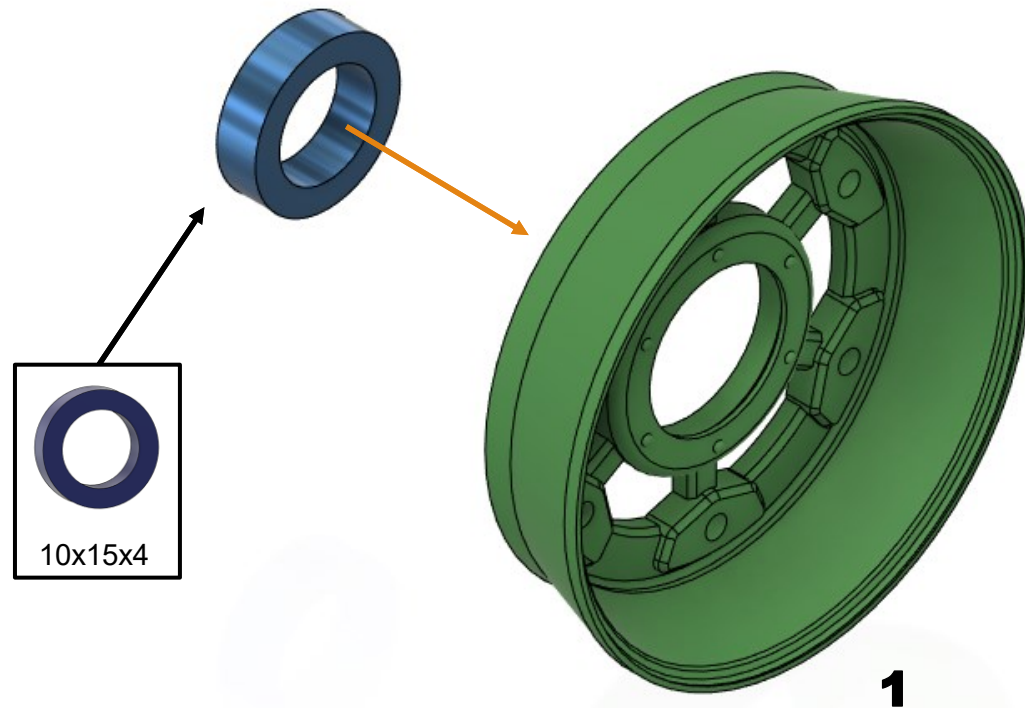
M2 x 6mm	• 268pcs	M3 x 8mm	• 27pcs
M2 x 8mm	• 2pcs	M3 x 10mm	• 15pcs
M2 x 10mm	• 8pcs	M3 x 12mm	• 2pcs
M2 x 20mm	• 2pcs	M3 x 20mm	• 28pcs
Self-locking nut M2	• 2pcs	M3 x 25mm	• 4pcs
		M3 x 30mm	• 20pcs
		M3 x 50mm	• 32pcs
		Self-locking nut M3	• 24pcs
		Washer M3	• 12pcs



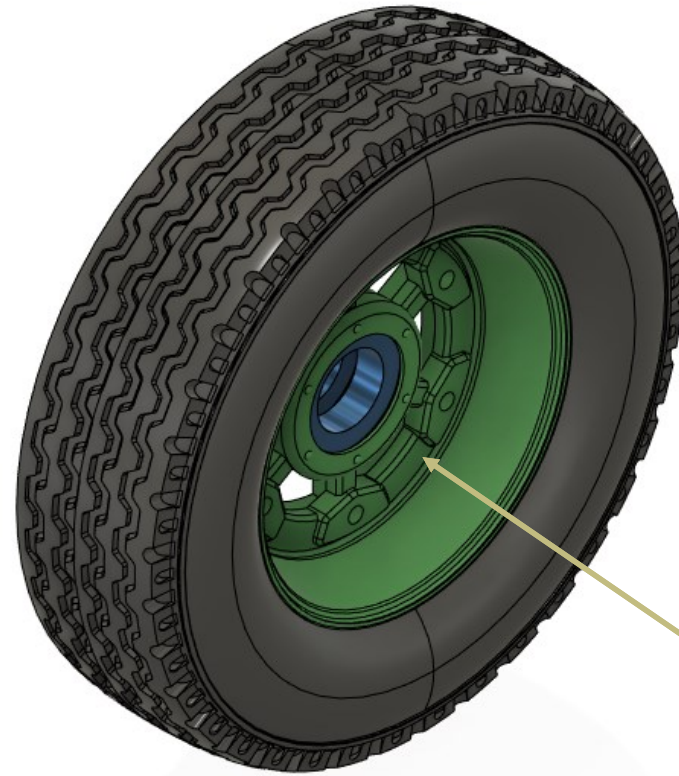
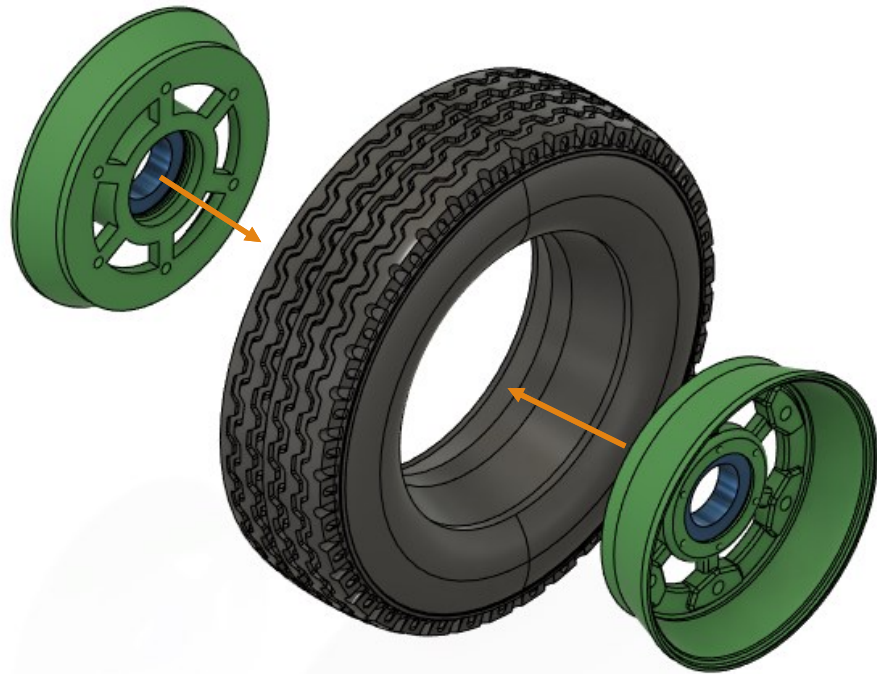
Wheels

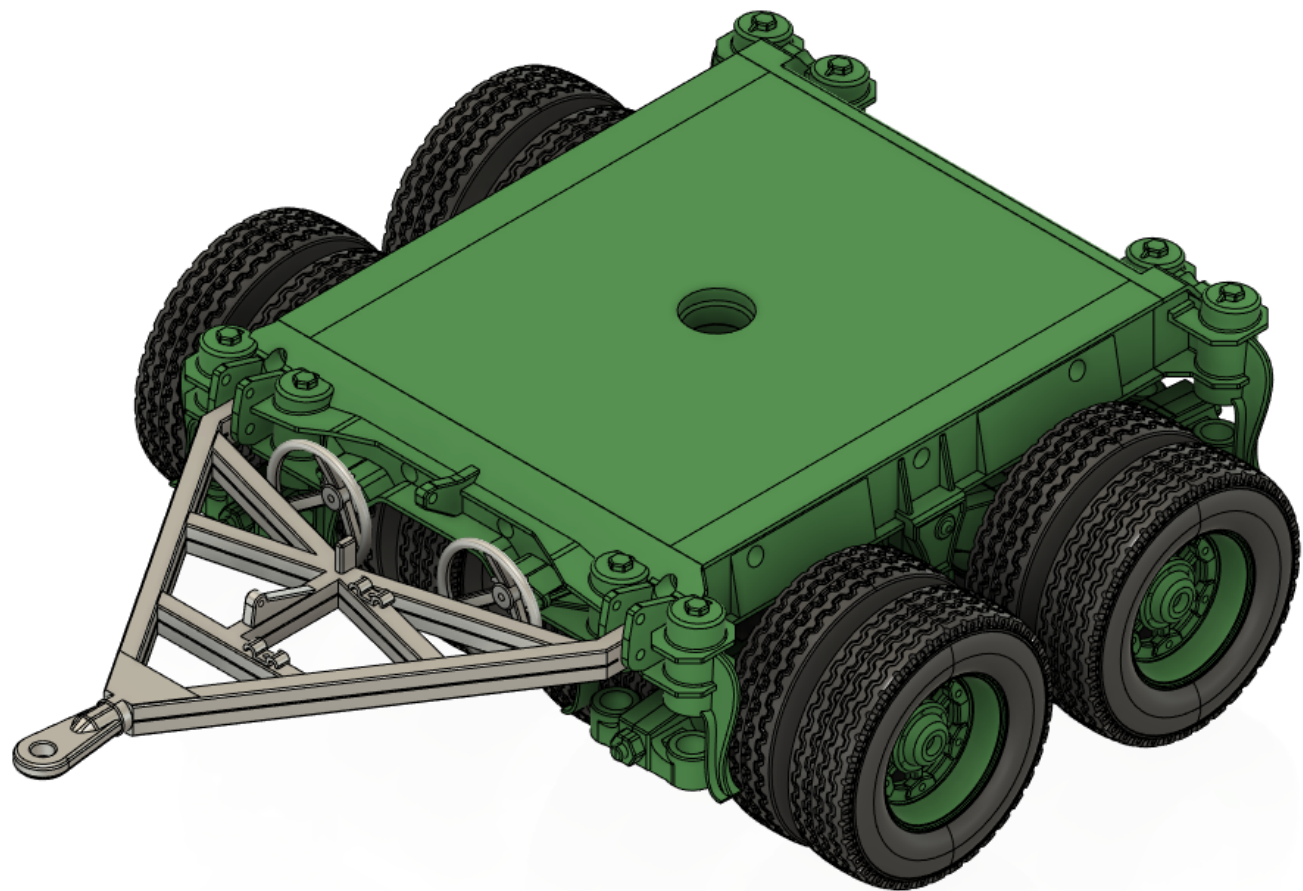
Wheels

40x + 2x reserve without bearings



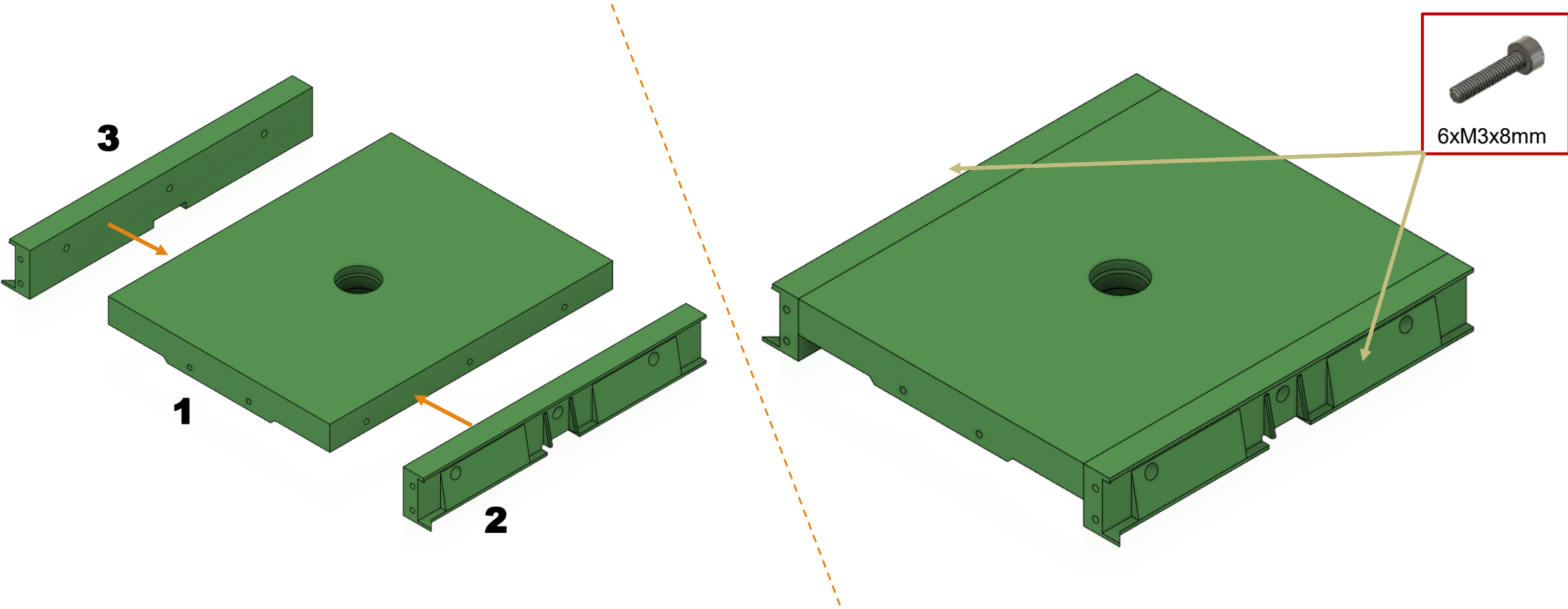
Wheels



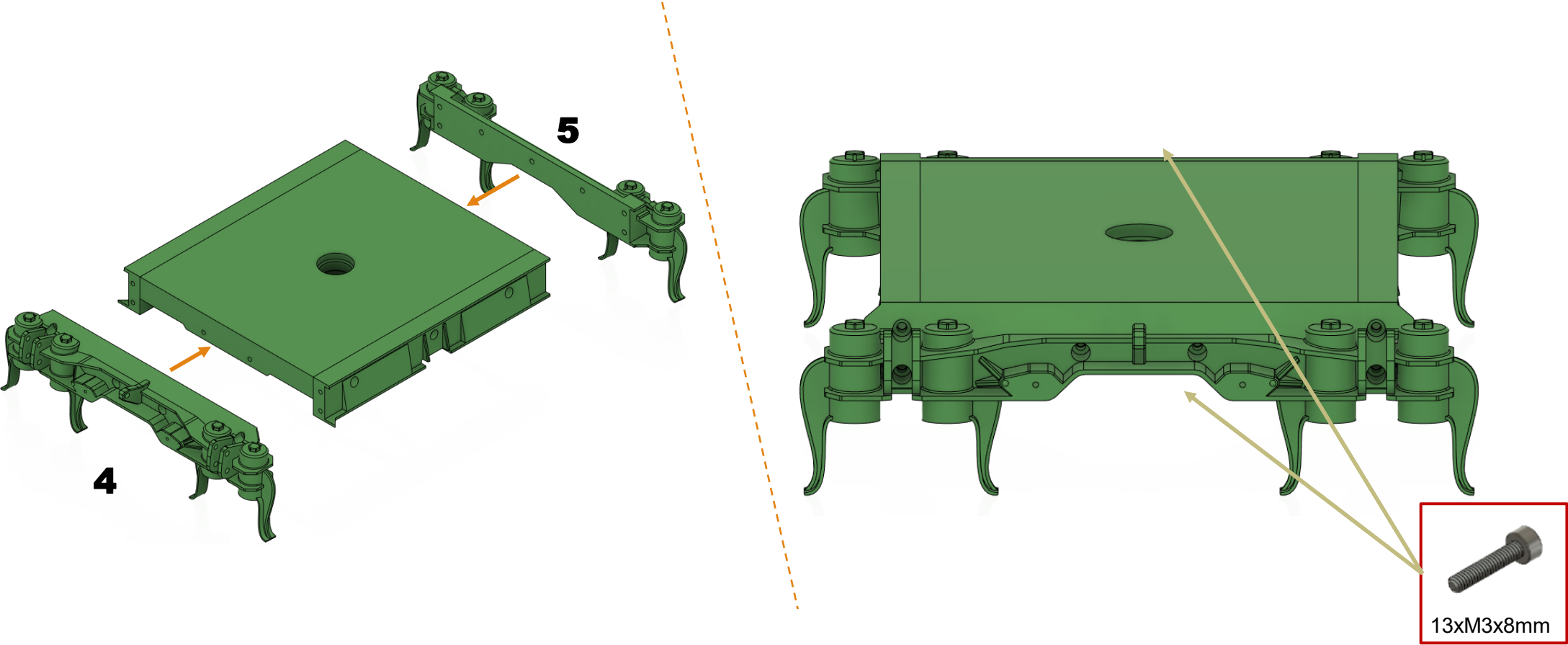


Body_1

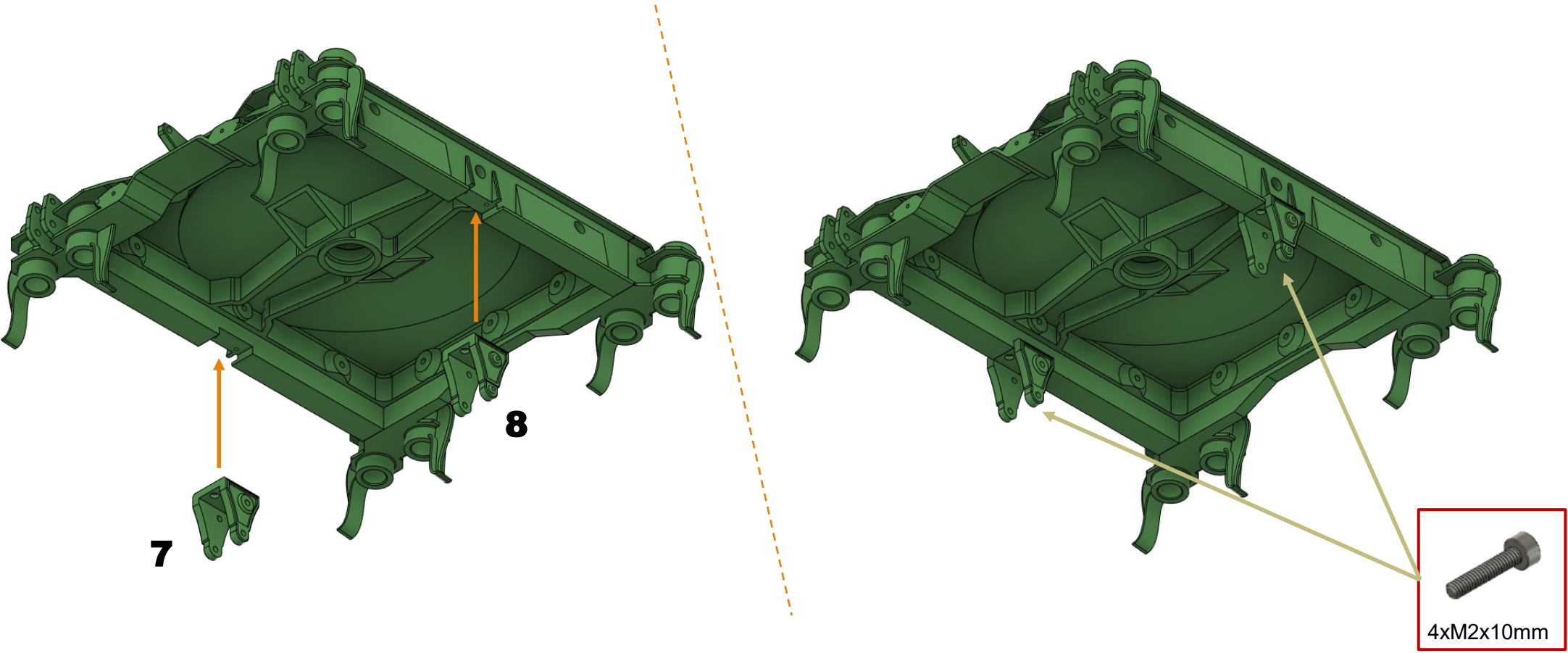
Body_1



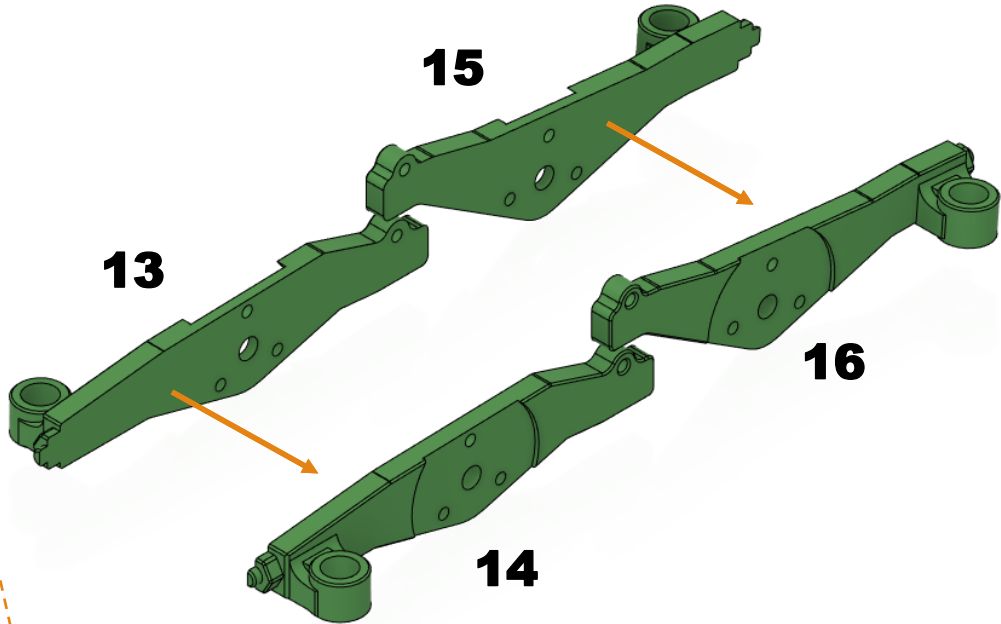
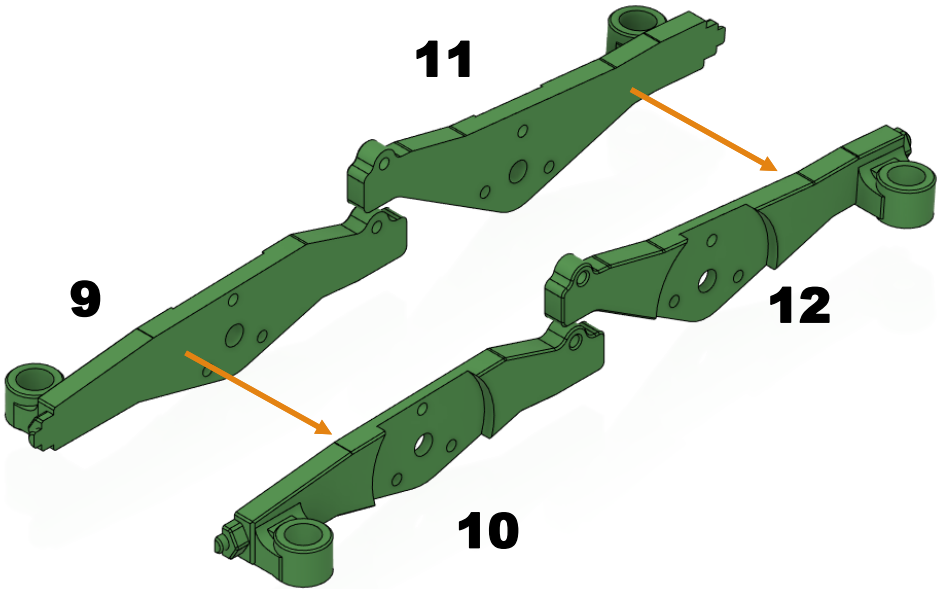
Body_1



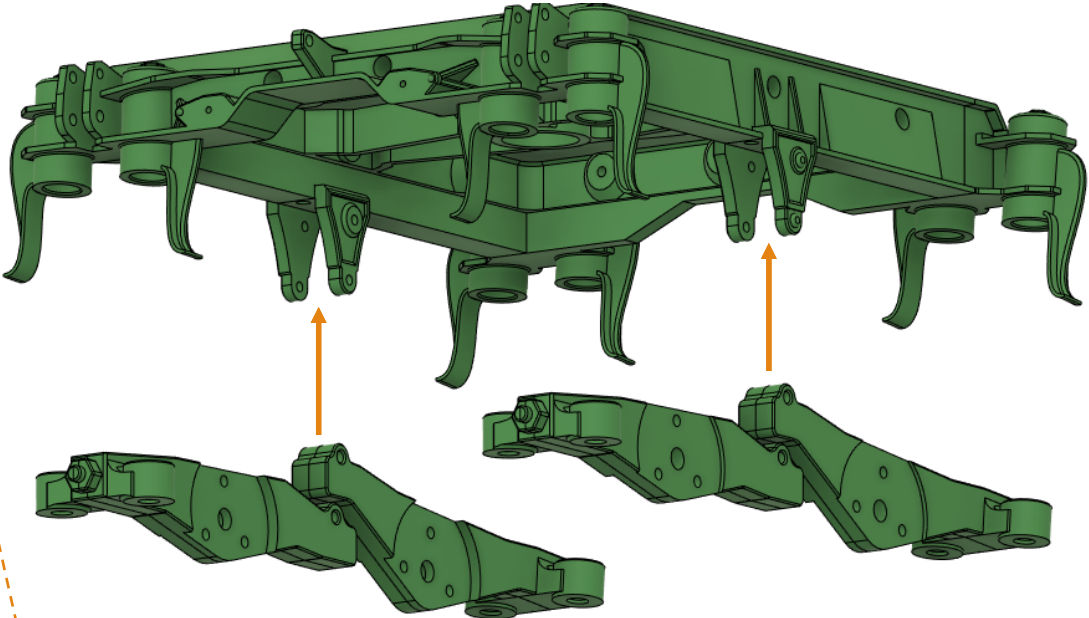
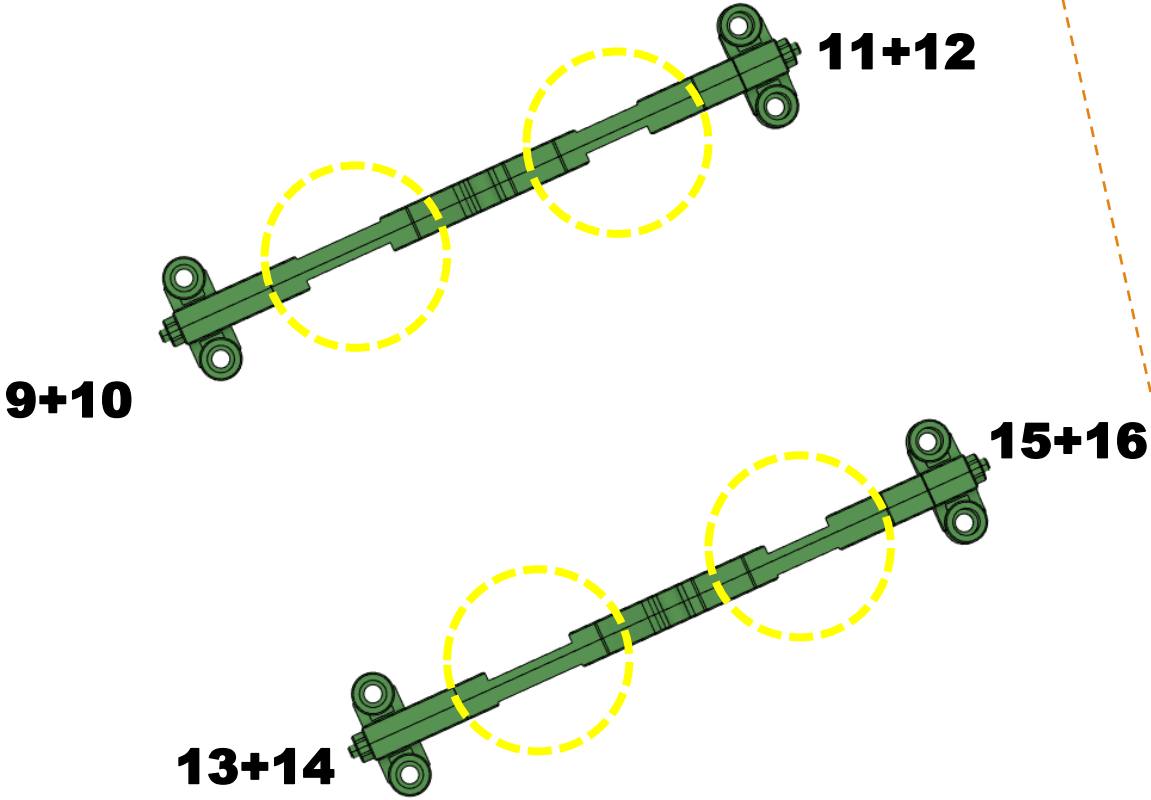
Body_1



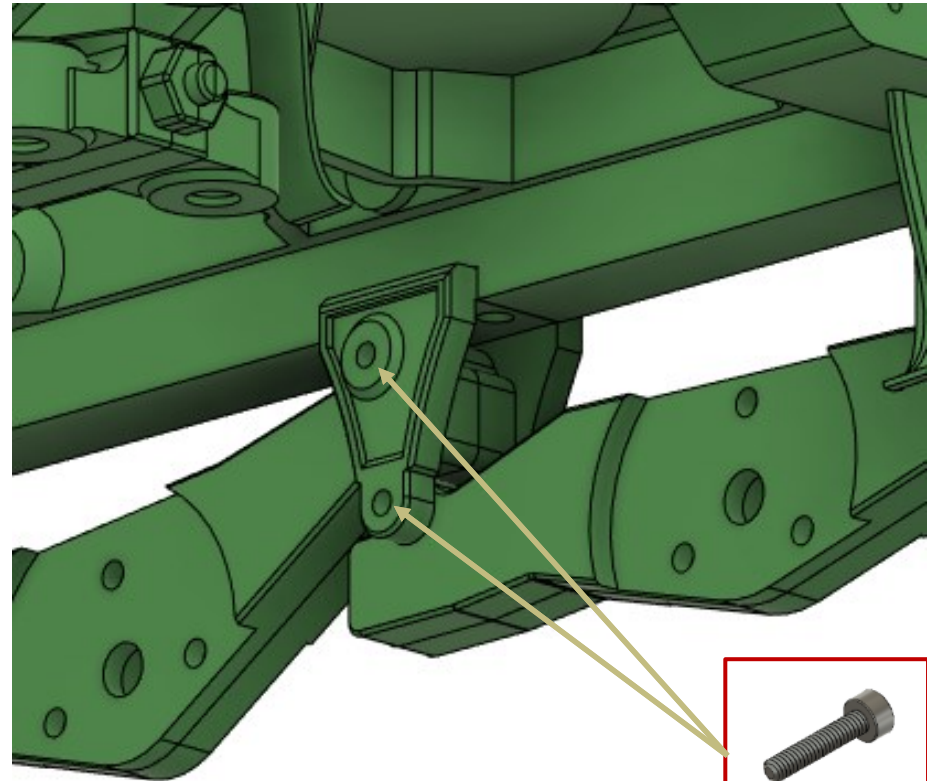
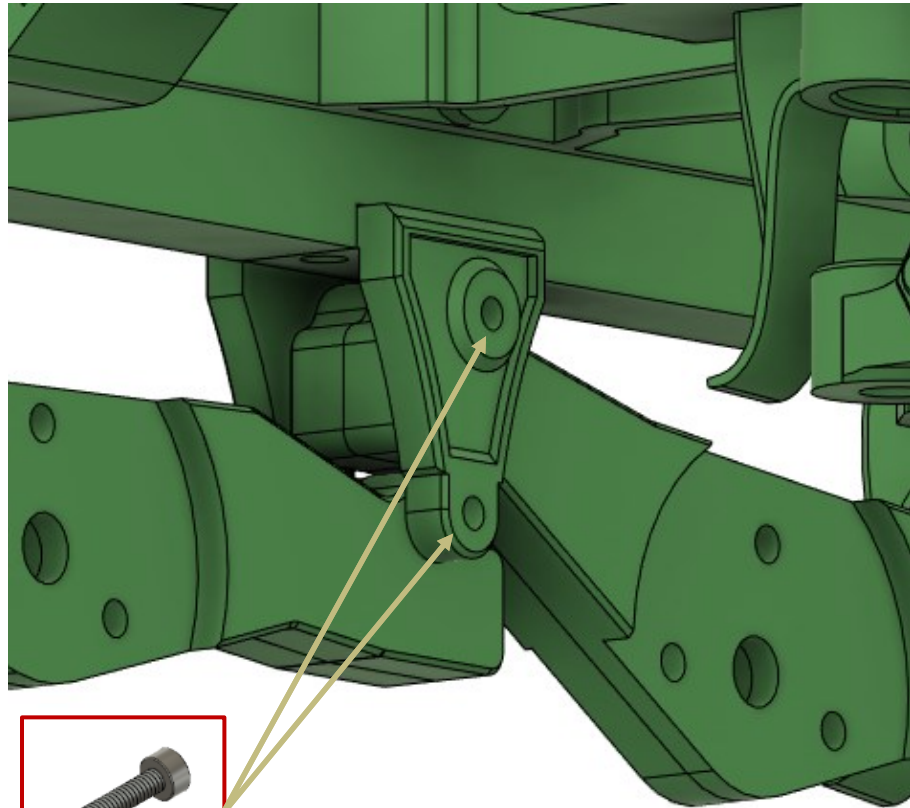
Body_1



Body_1

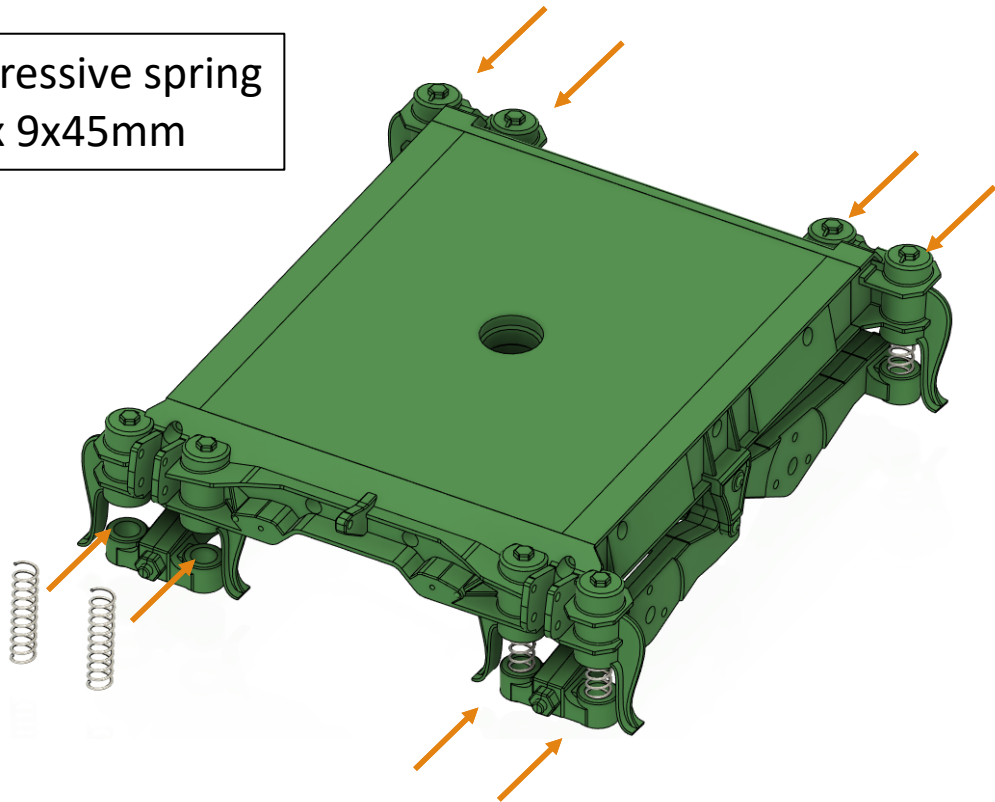


Body_1

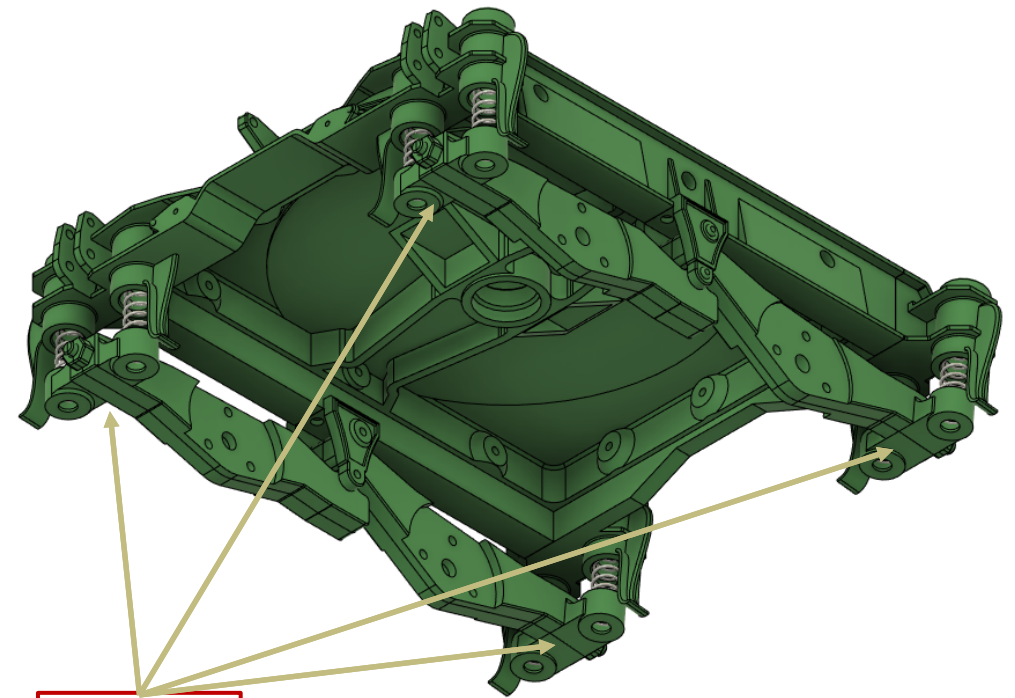


Body_1

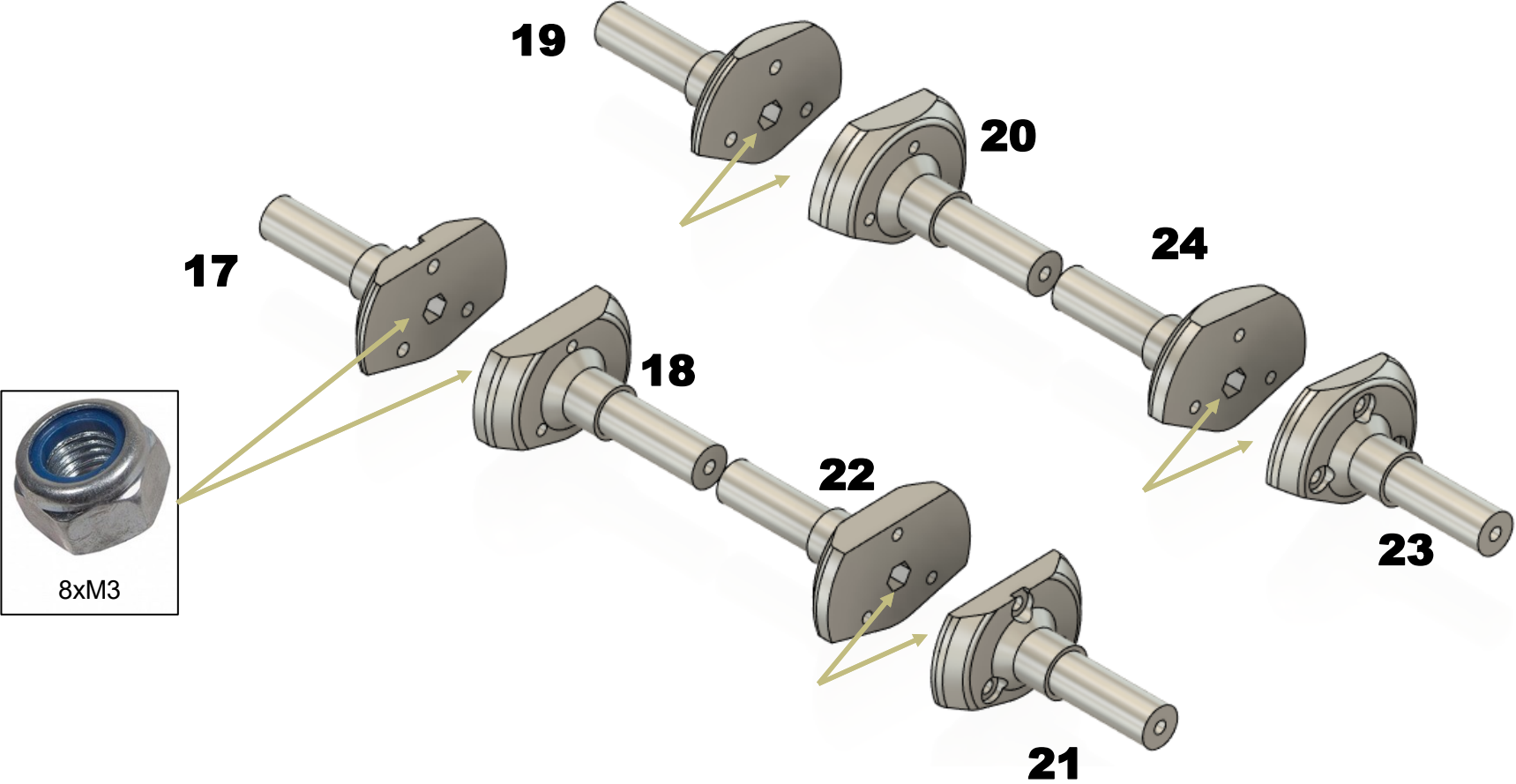
Compressive spring
8x 9x45mm



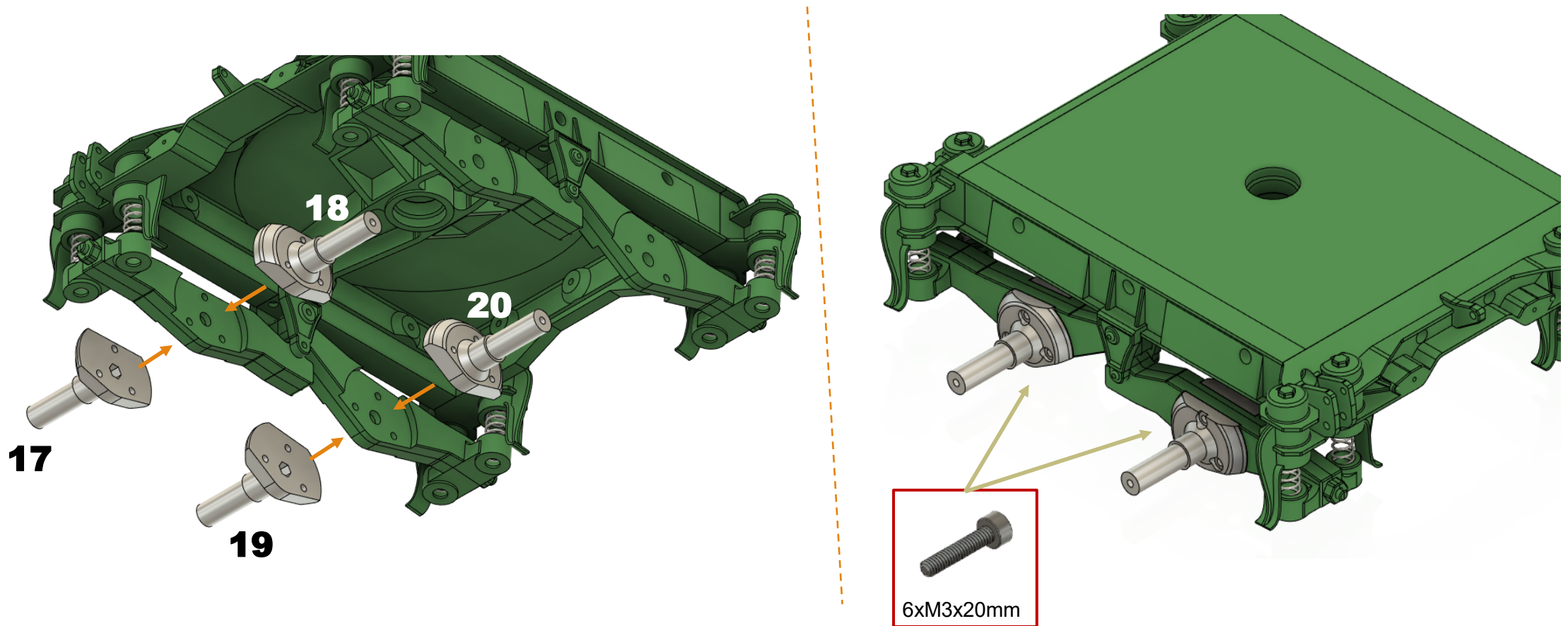
Attach the M3 washers to the screws.
Screw all screws evenly.
The screws indicate the ground clearance of the trailer.



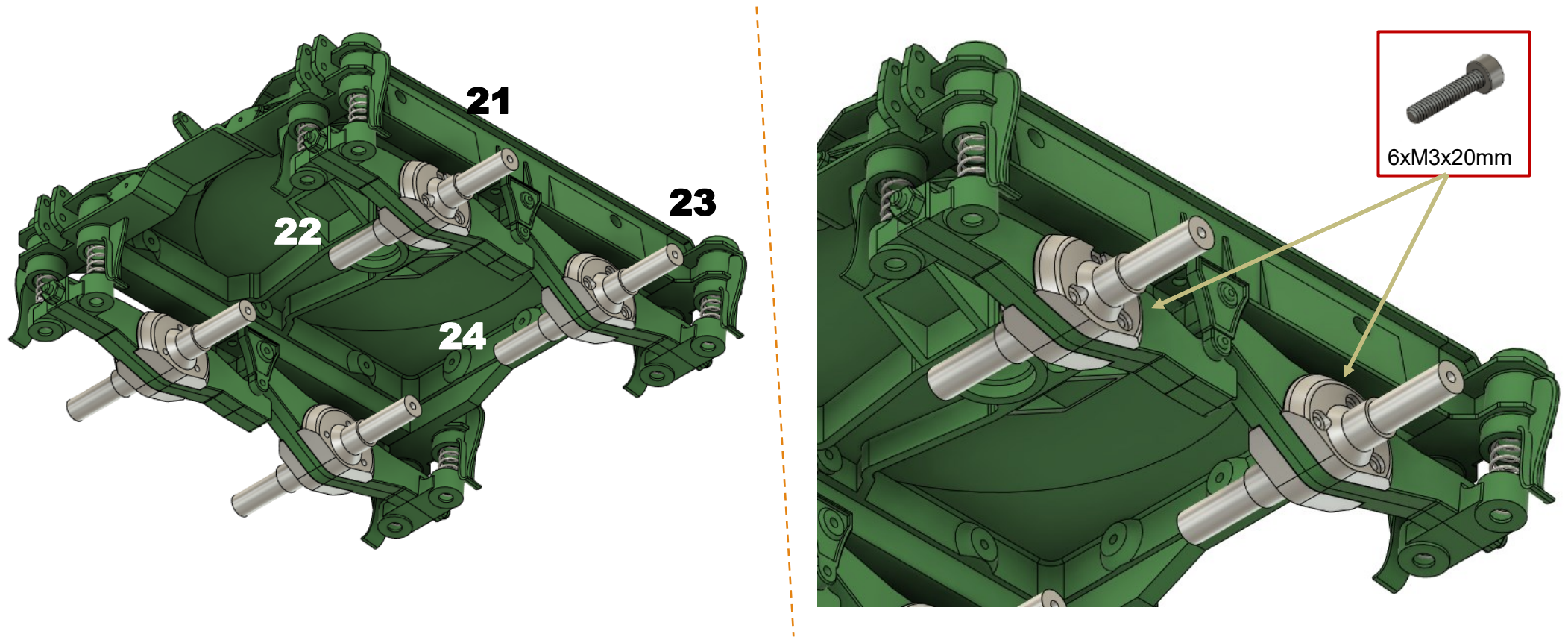
Body_1



Body_1

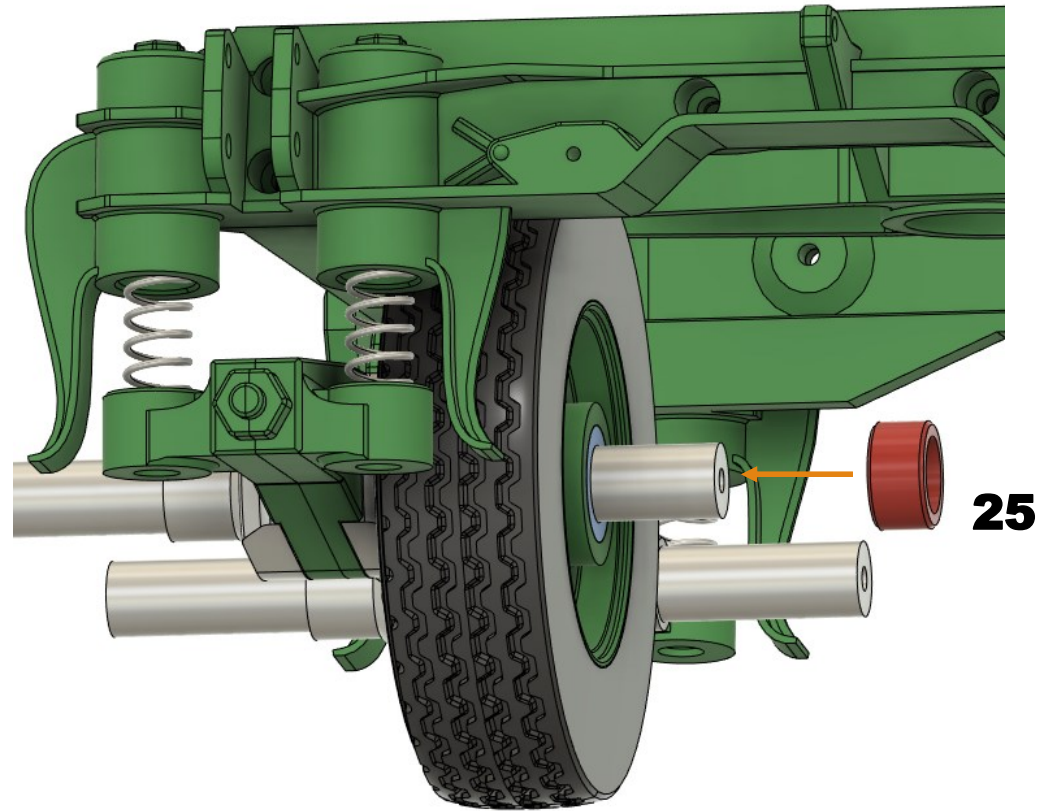
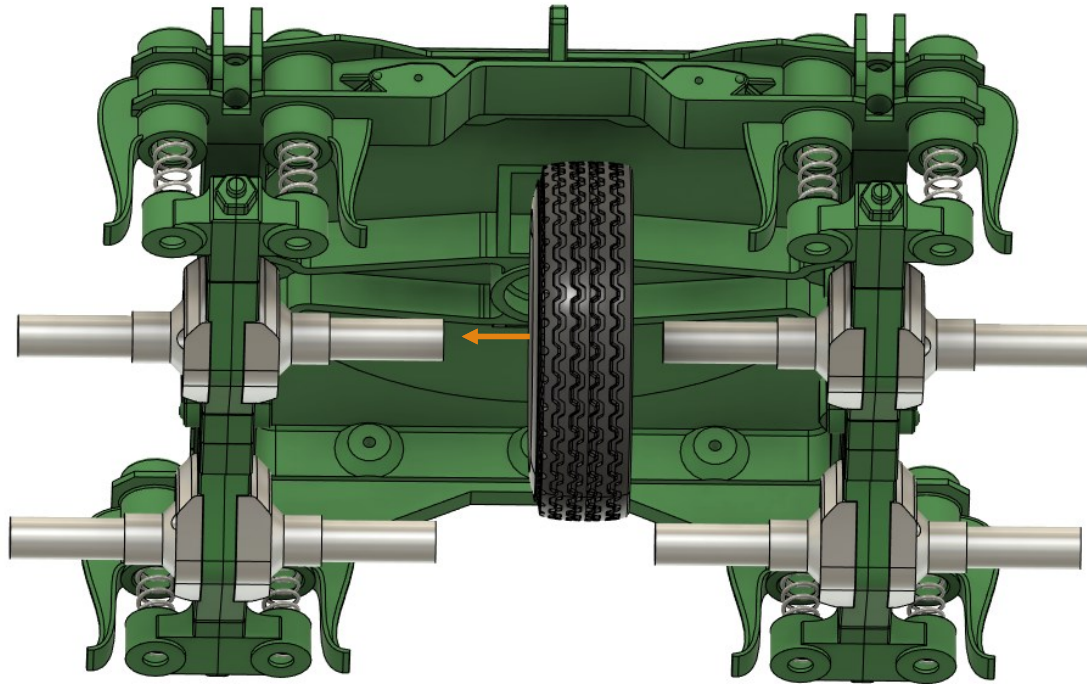


Body_1

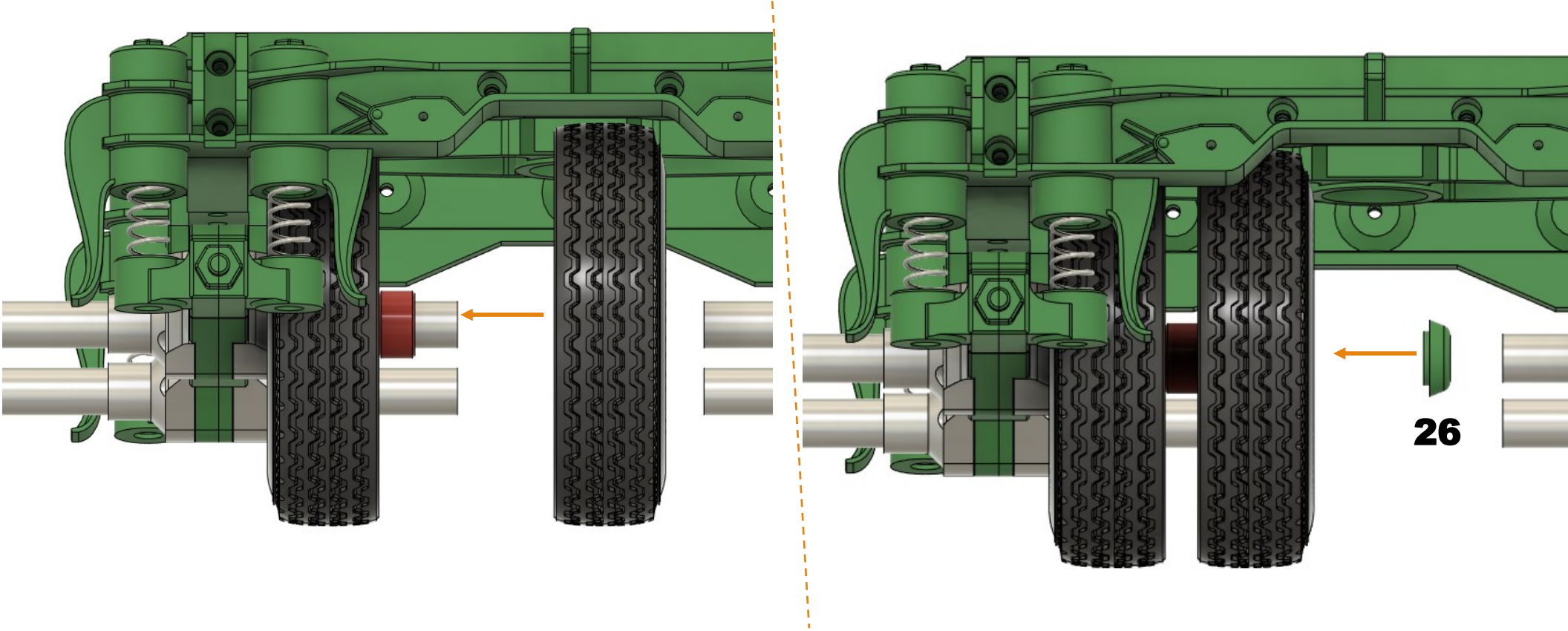


Body_1

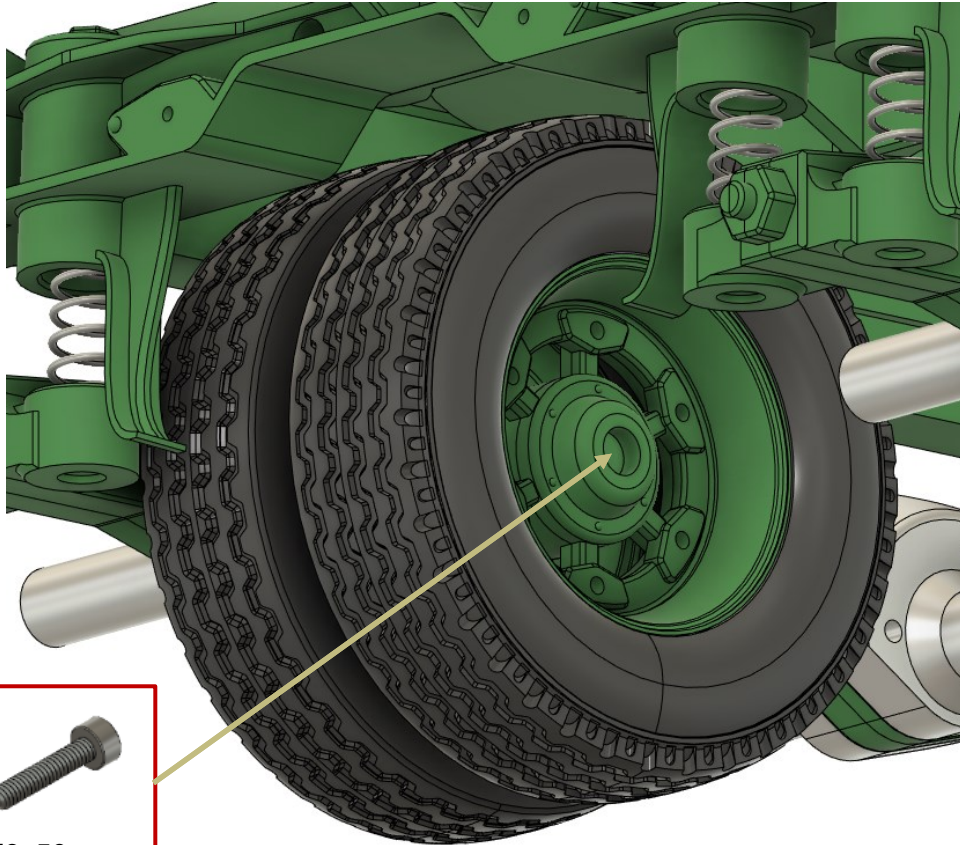
For better access and handling, I recommend dismantling the axles.



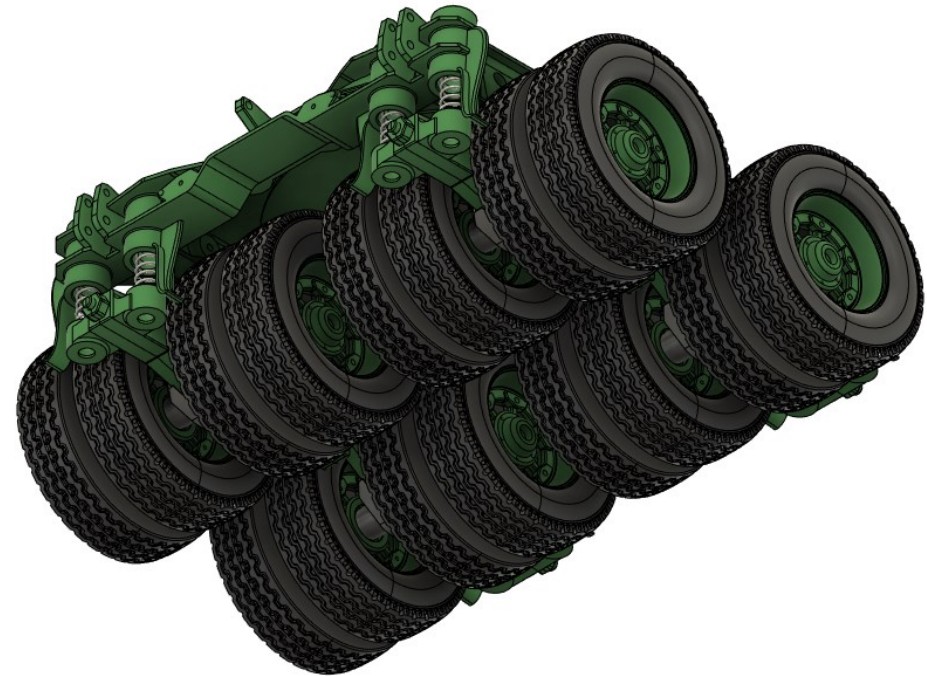
Body_1



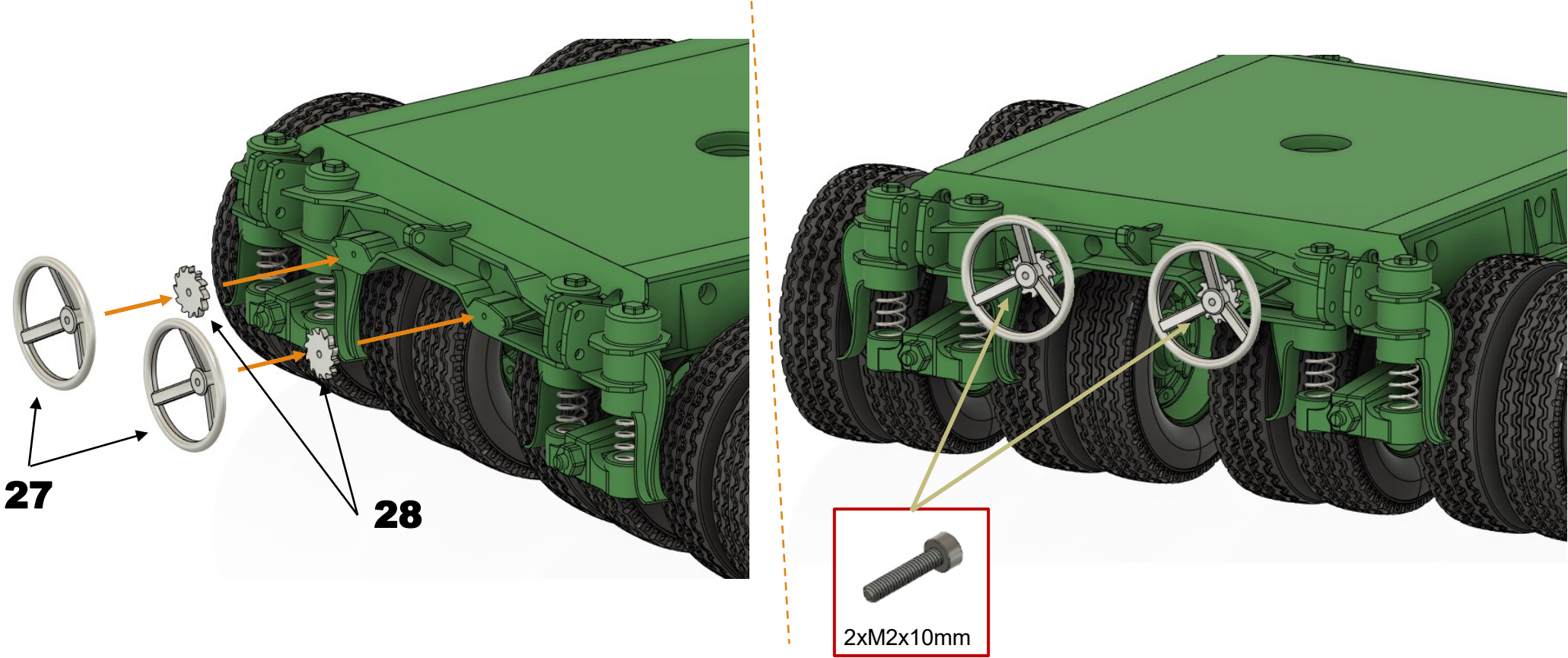
Body_1



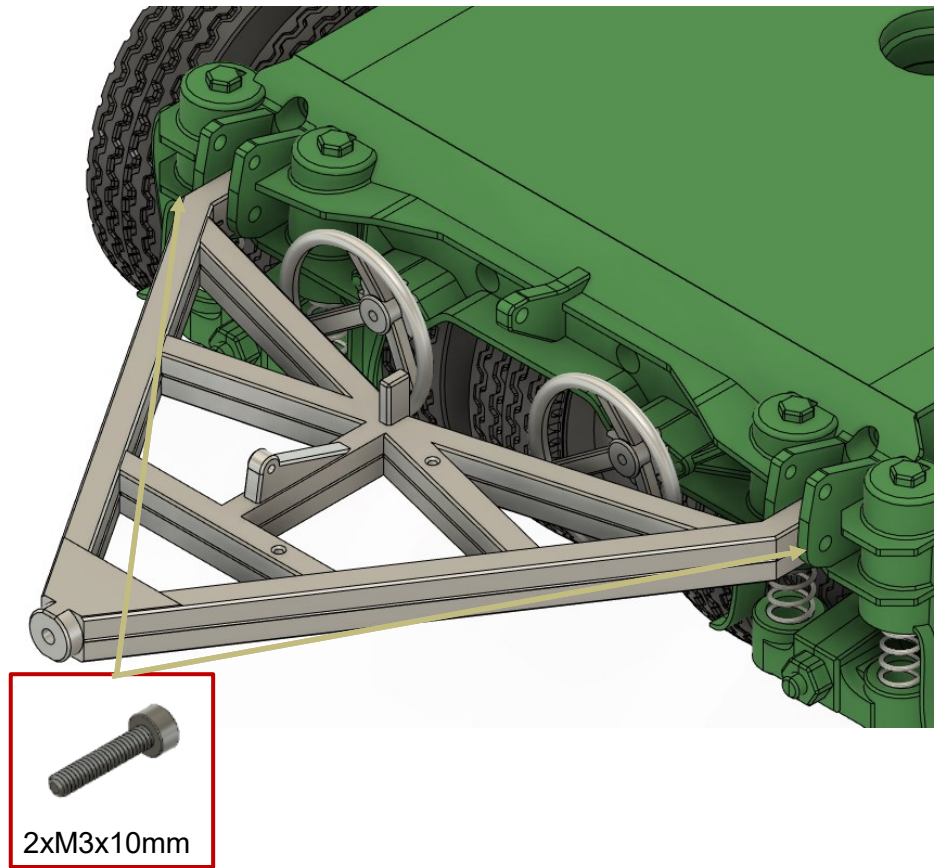
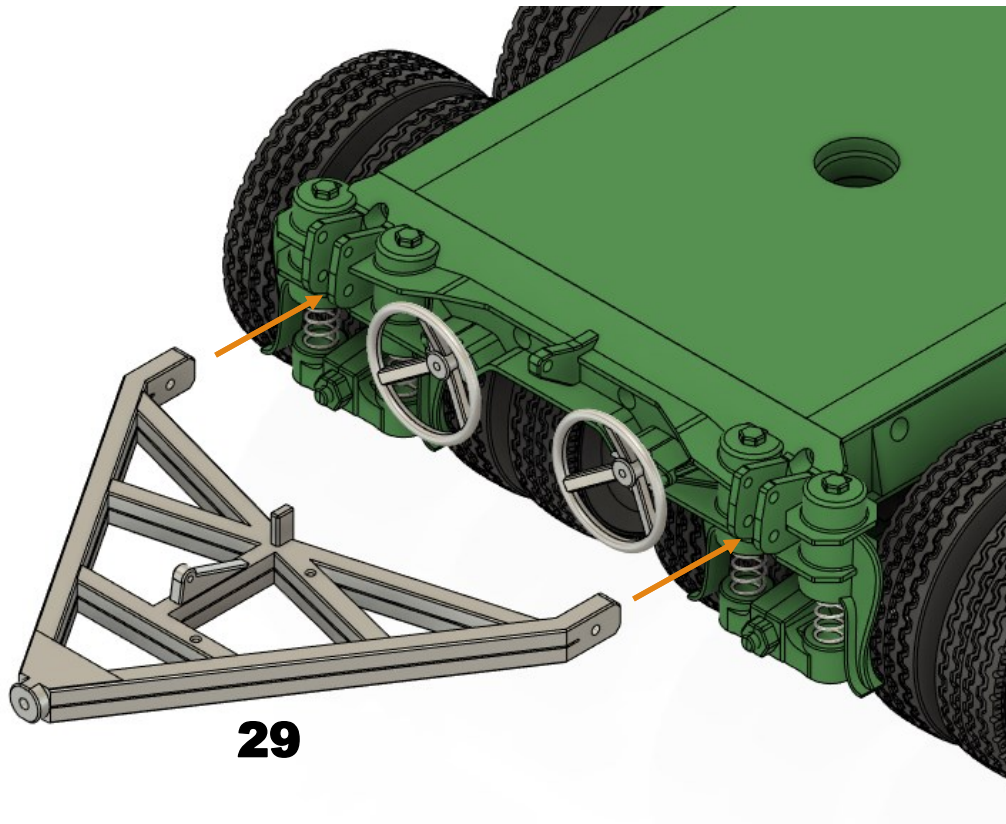
Put on the remaining wheels in the same way



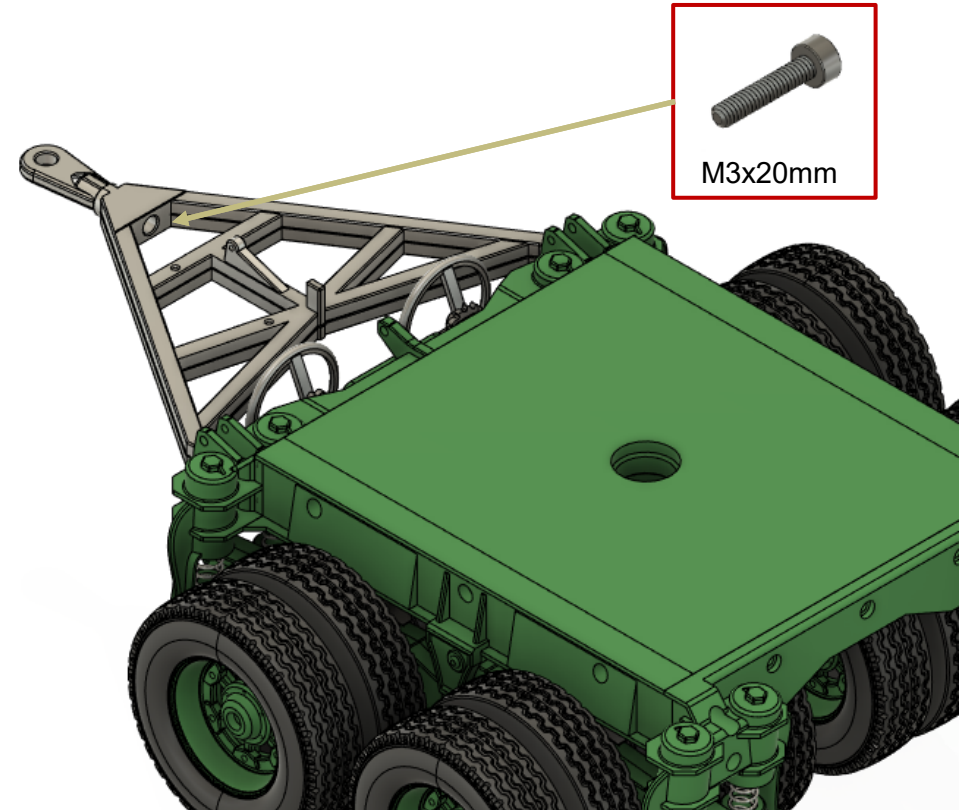
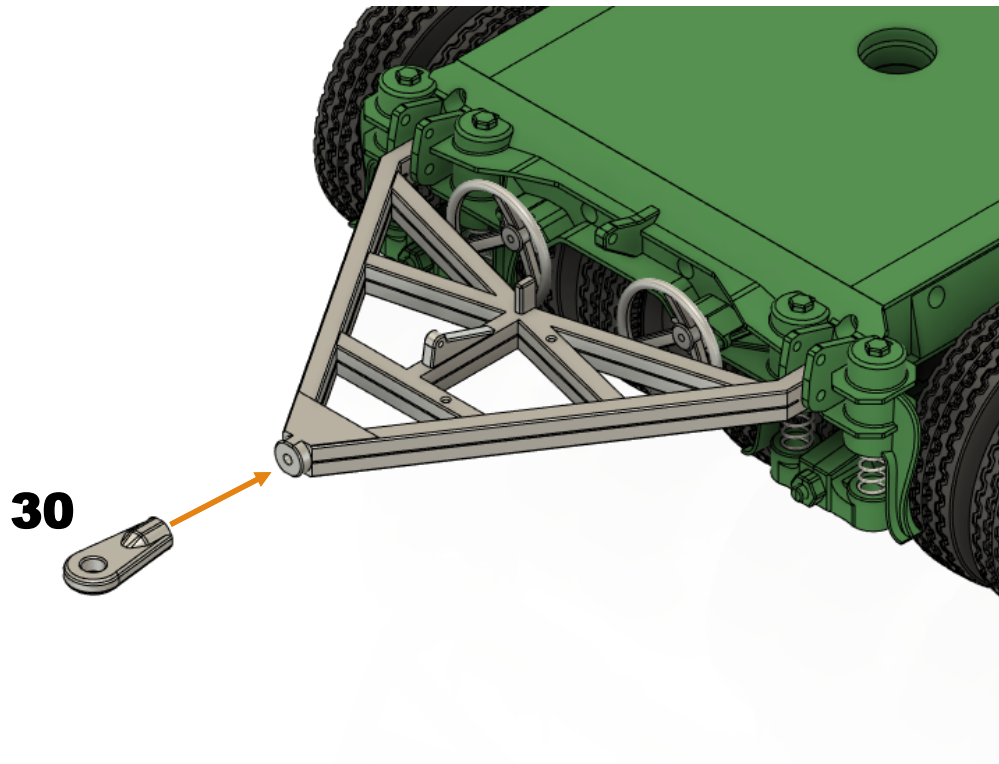
Body_1



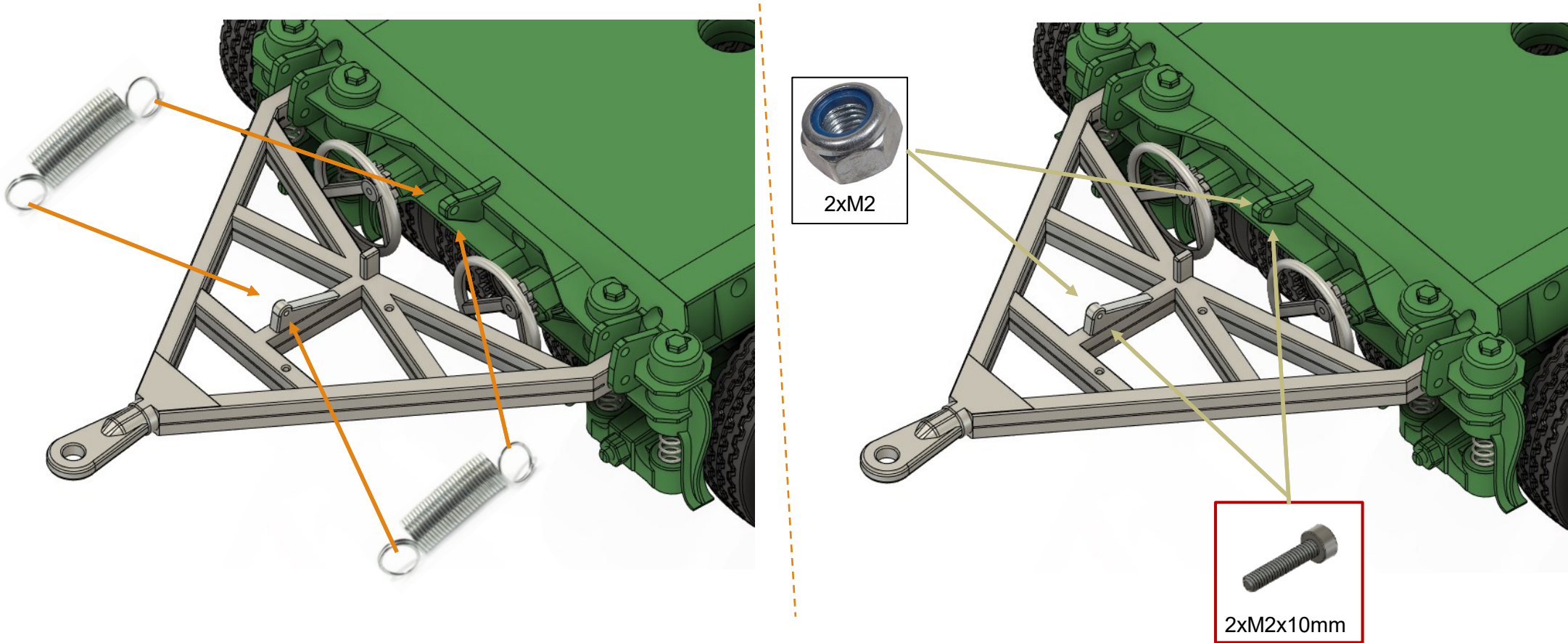
Body_1



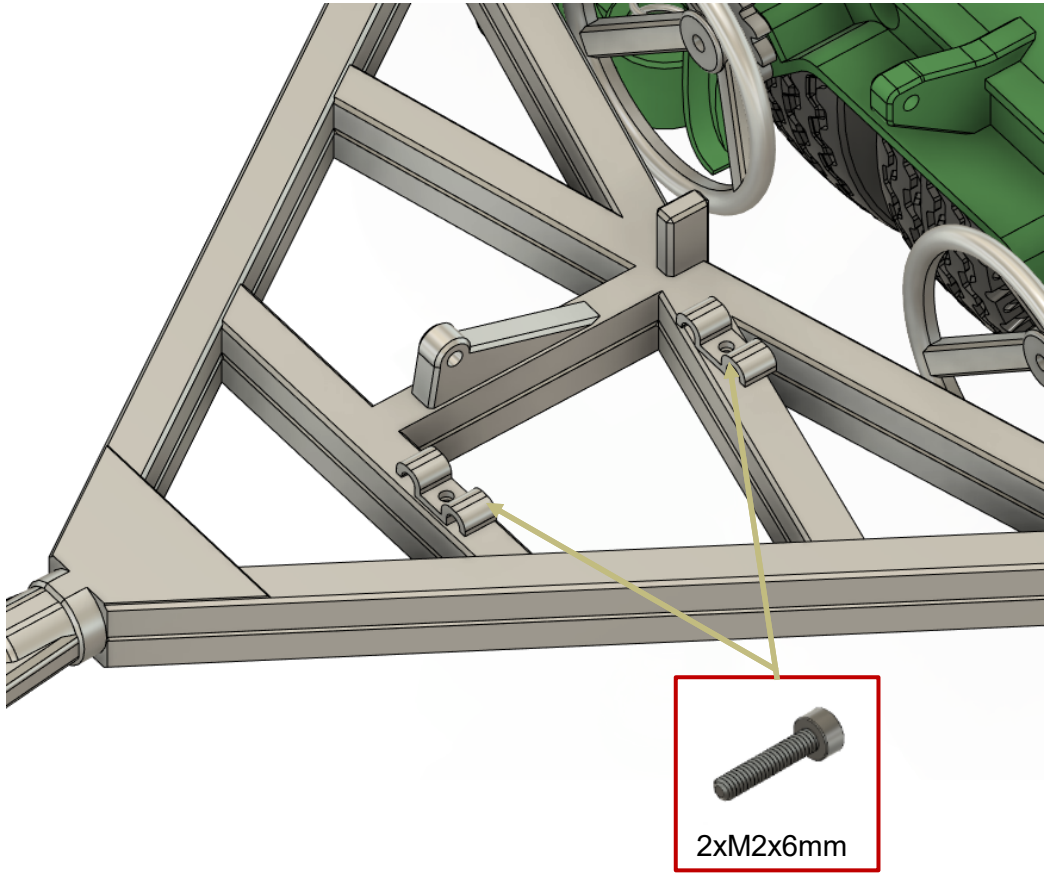
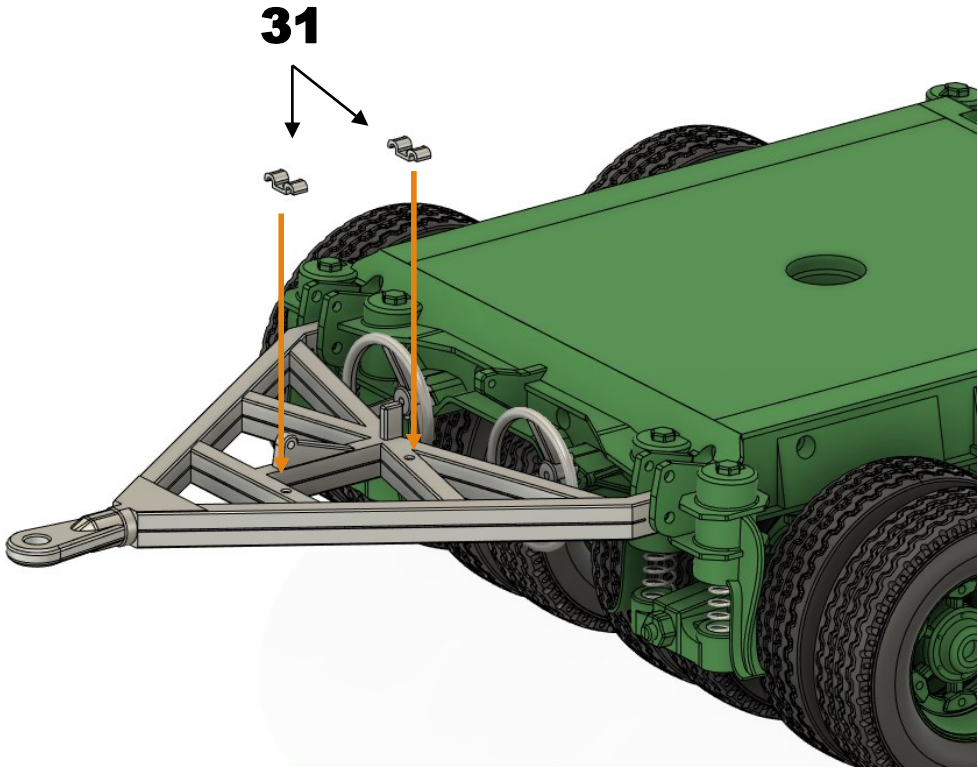
Body_1



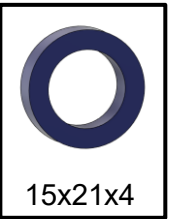
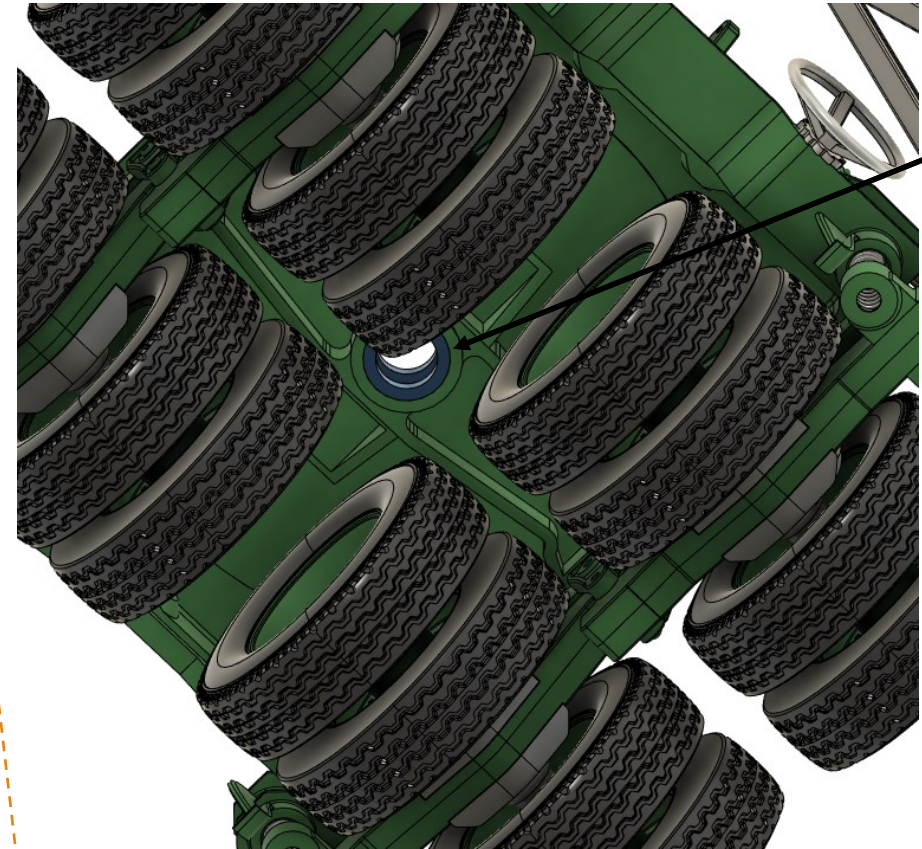
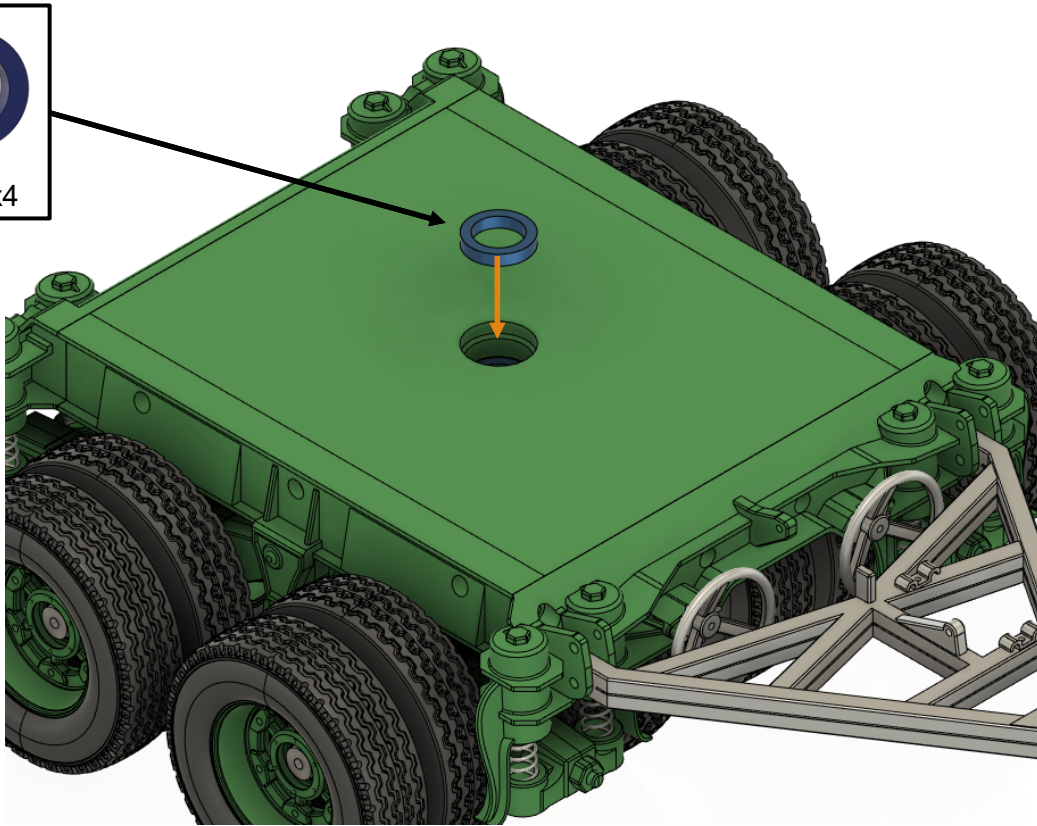
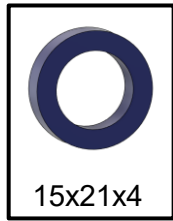
Body_1

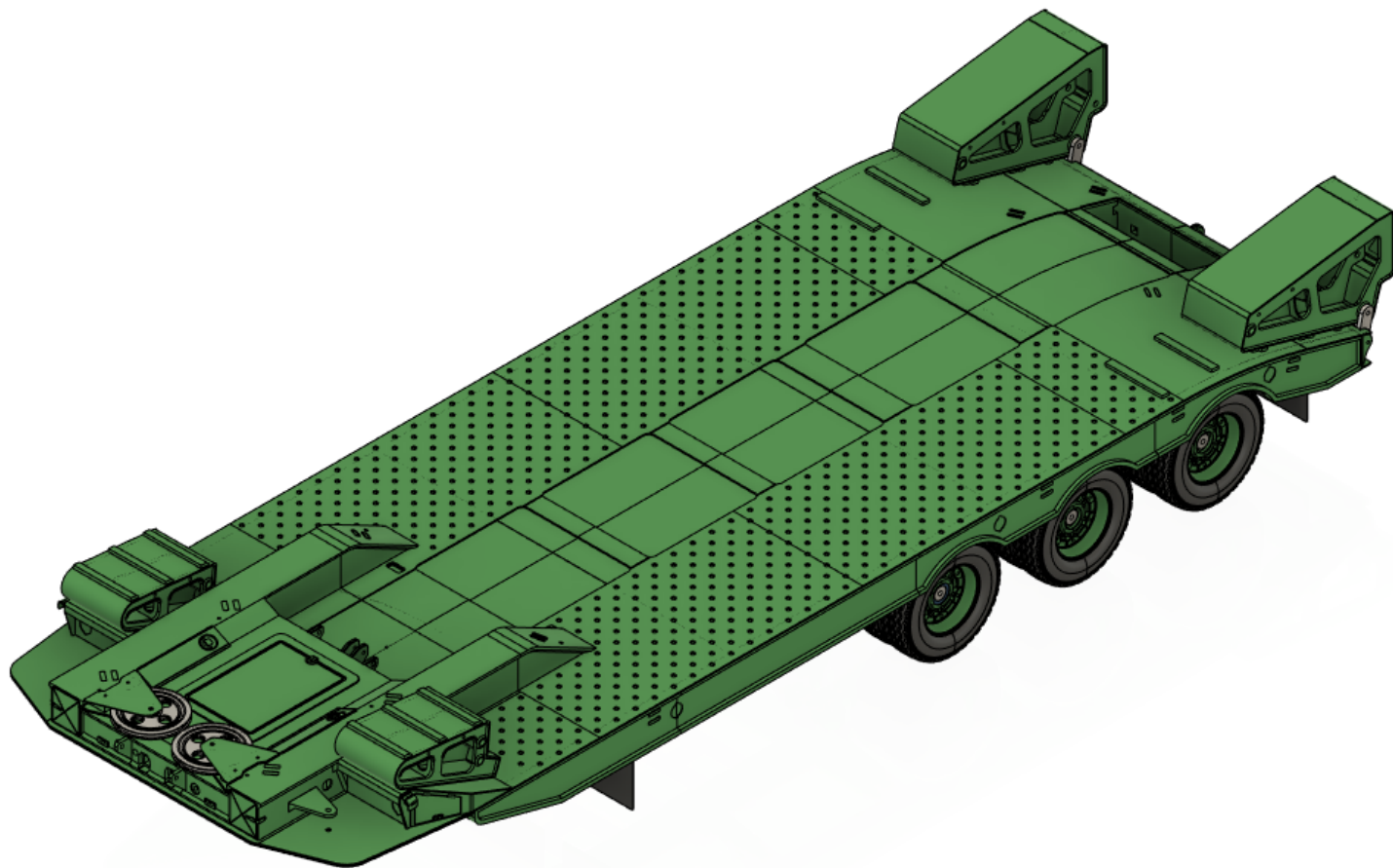


Body_1



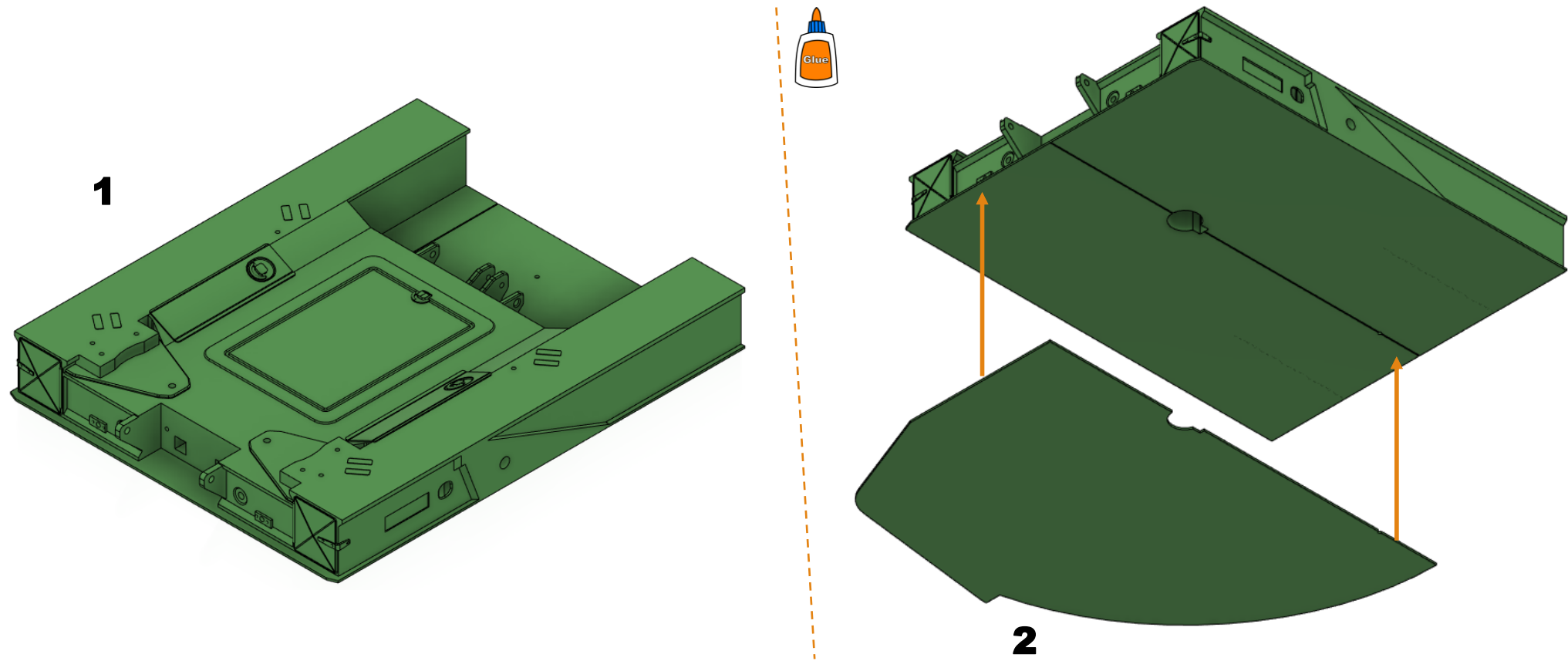
Body_1



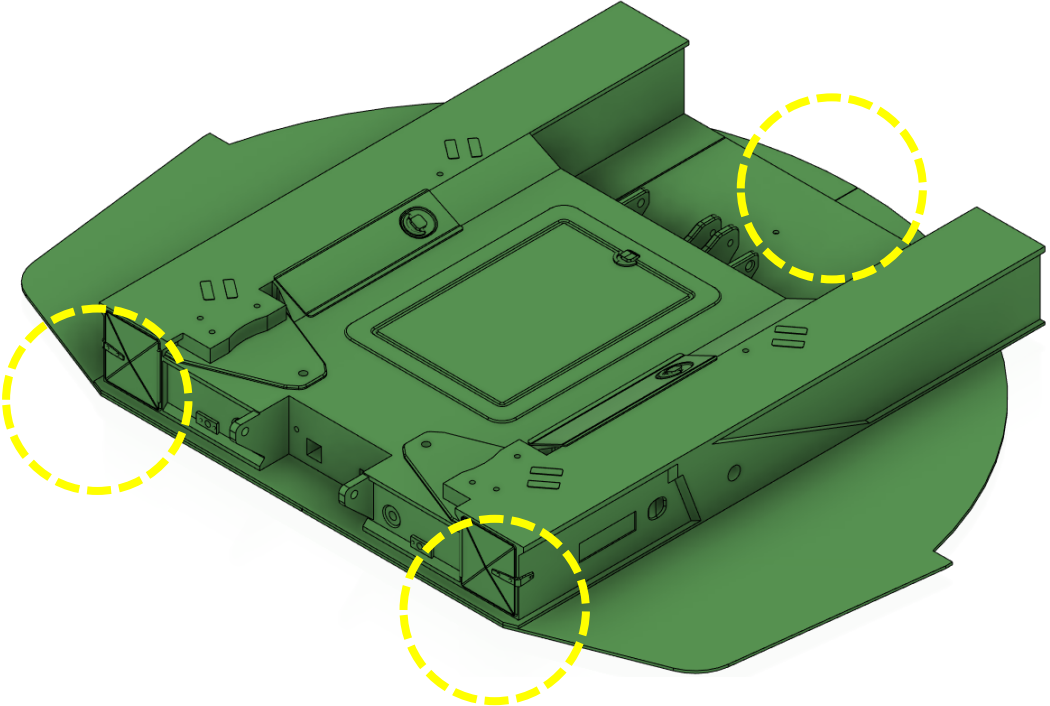
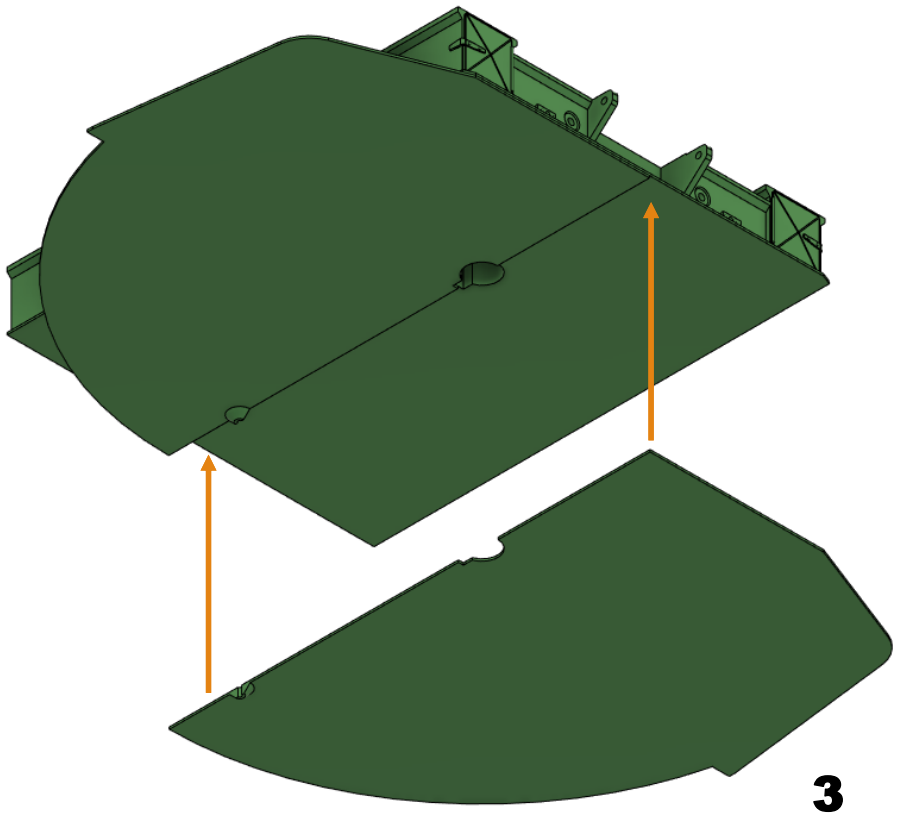


Body_2

Body_2



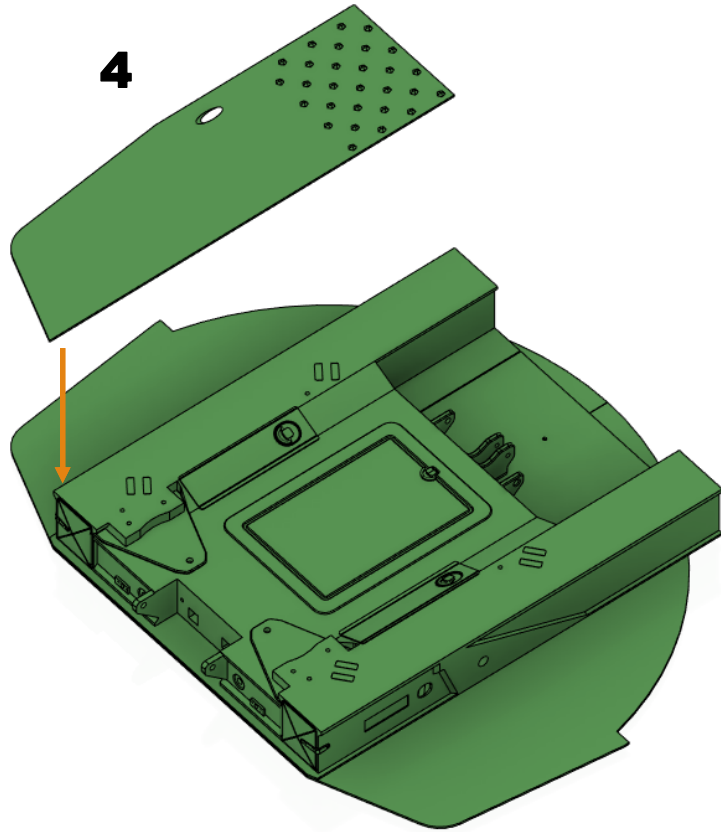
Body_2



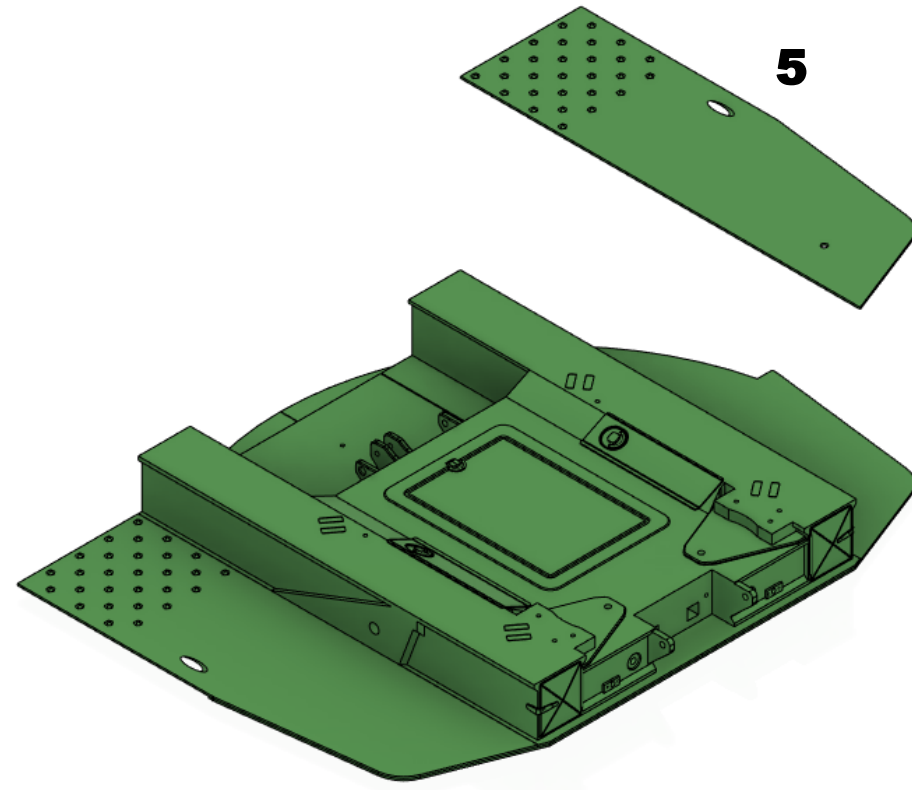
Body_2



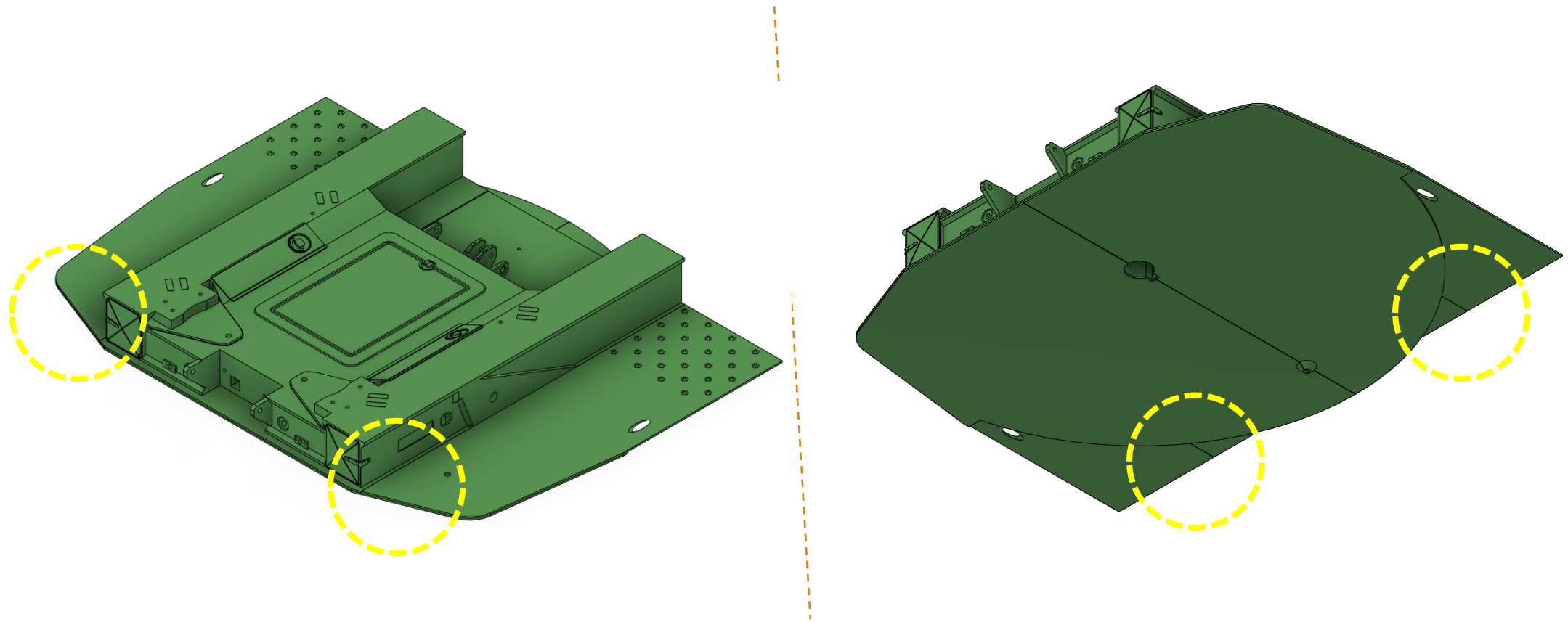
4



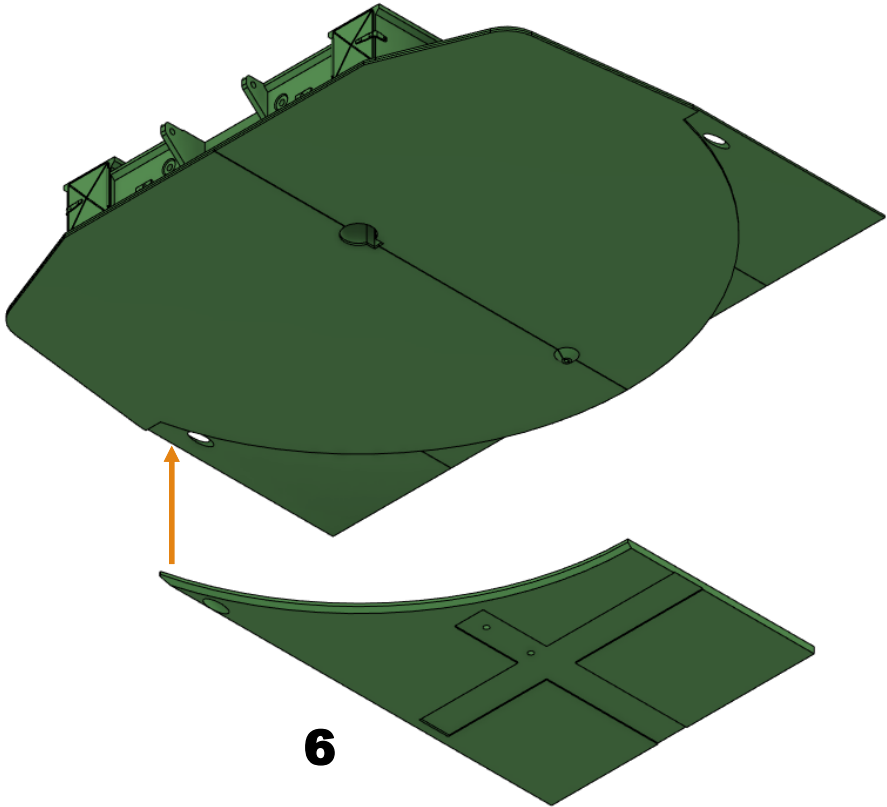
5



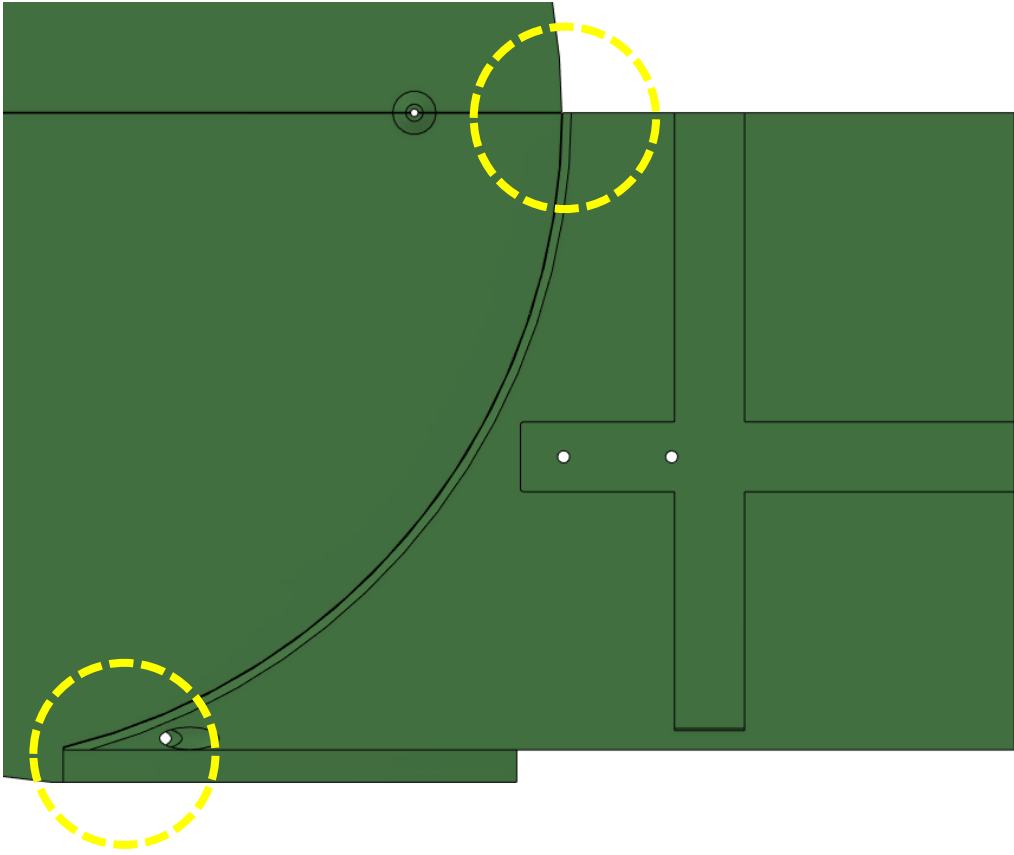
Body_2



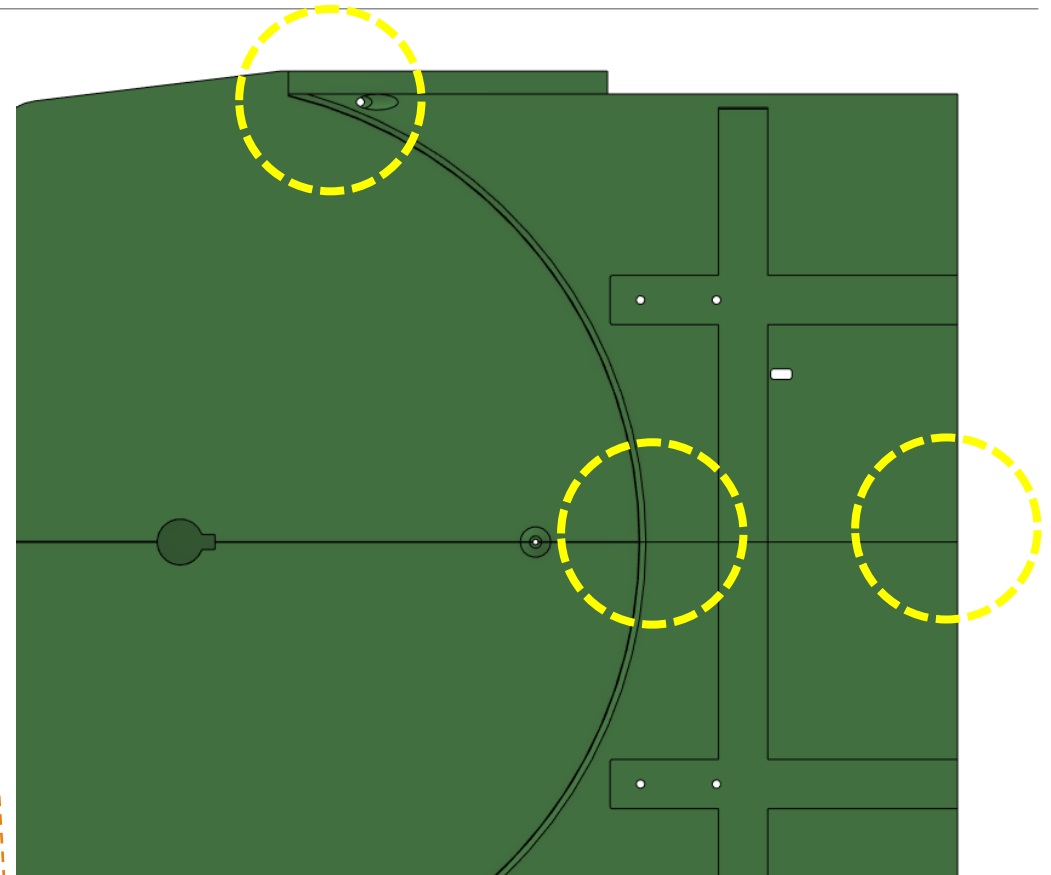
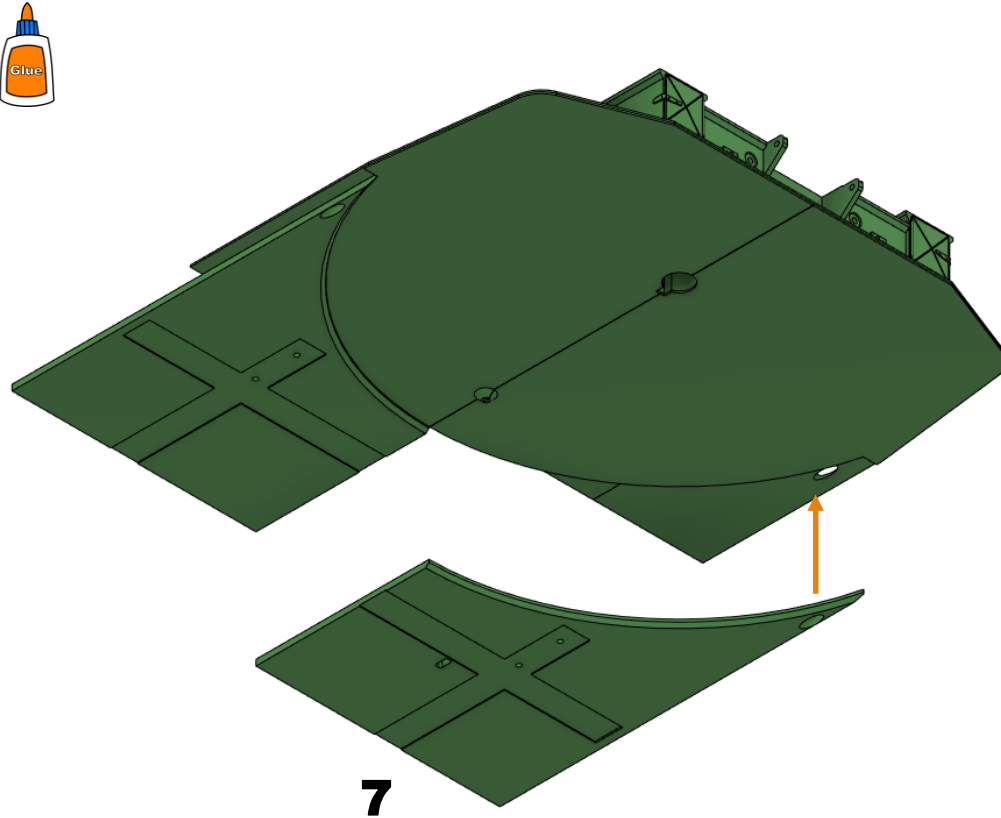
Body_2



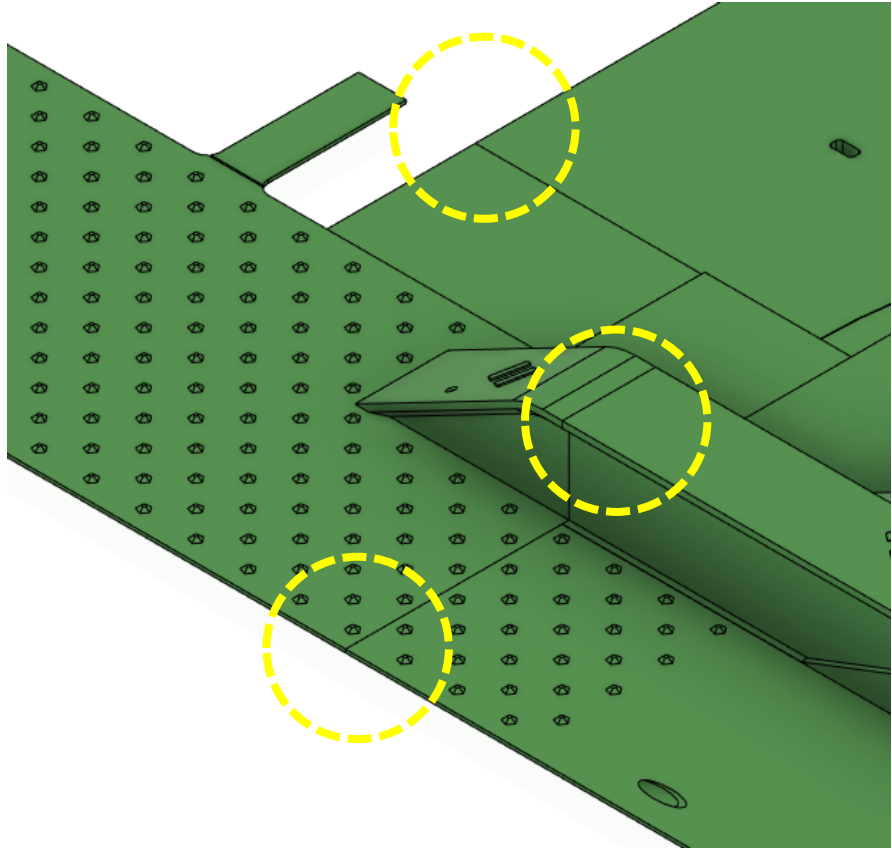
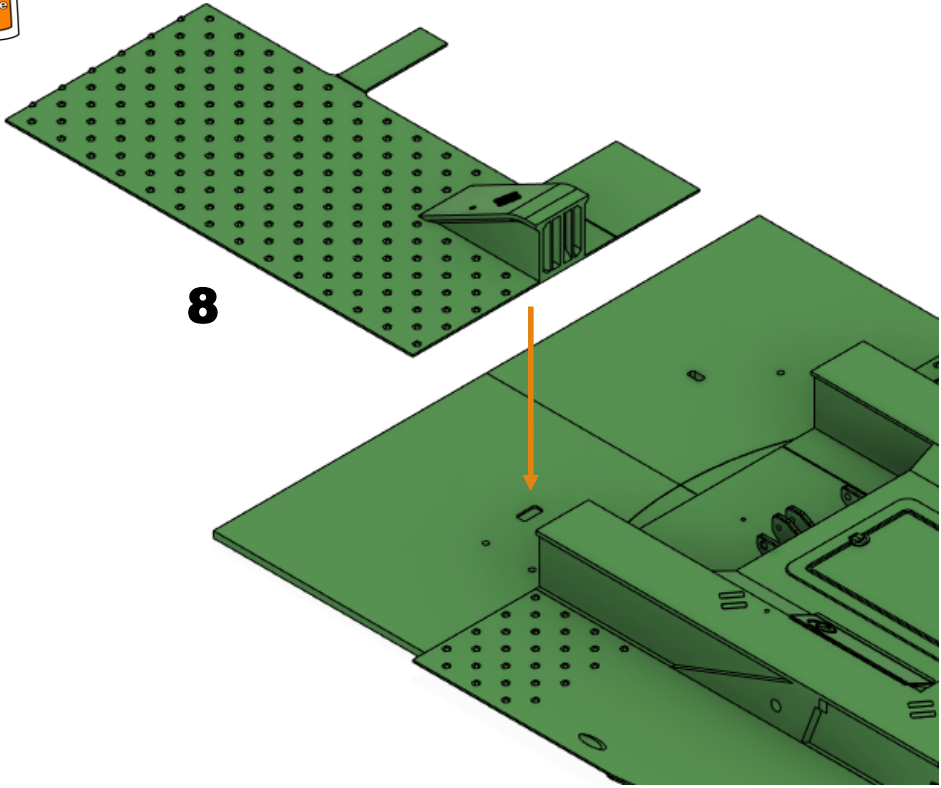
6



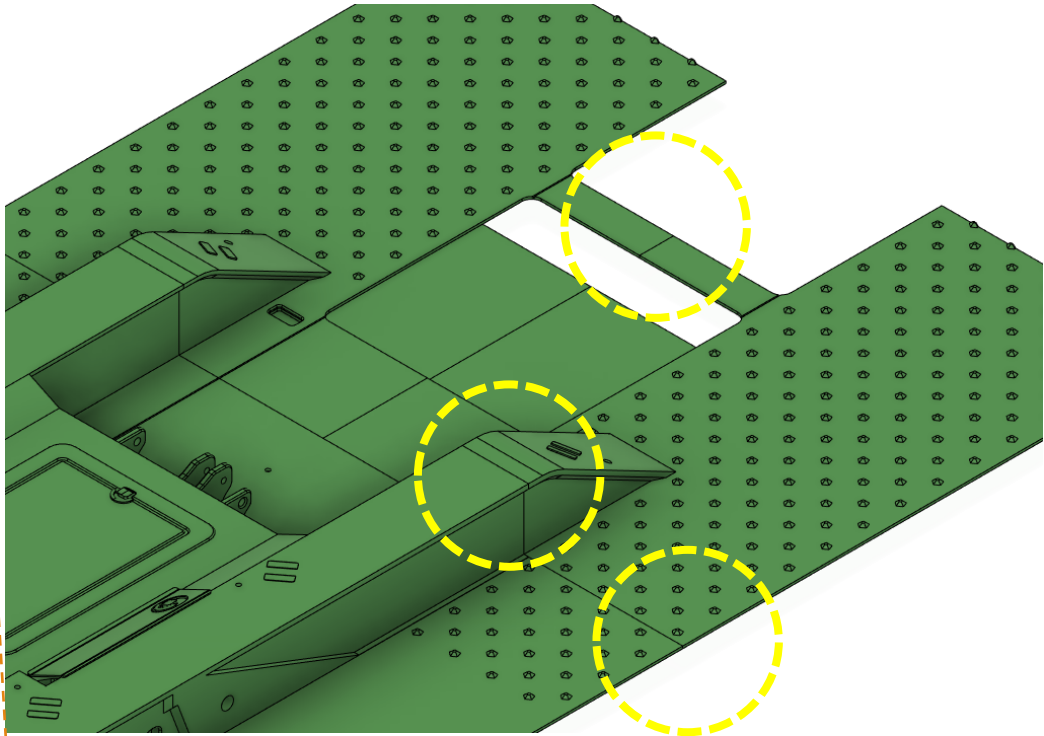
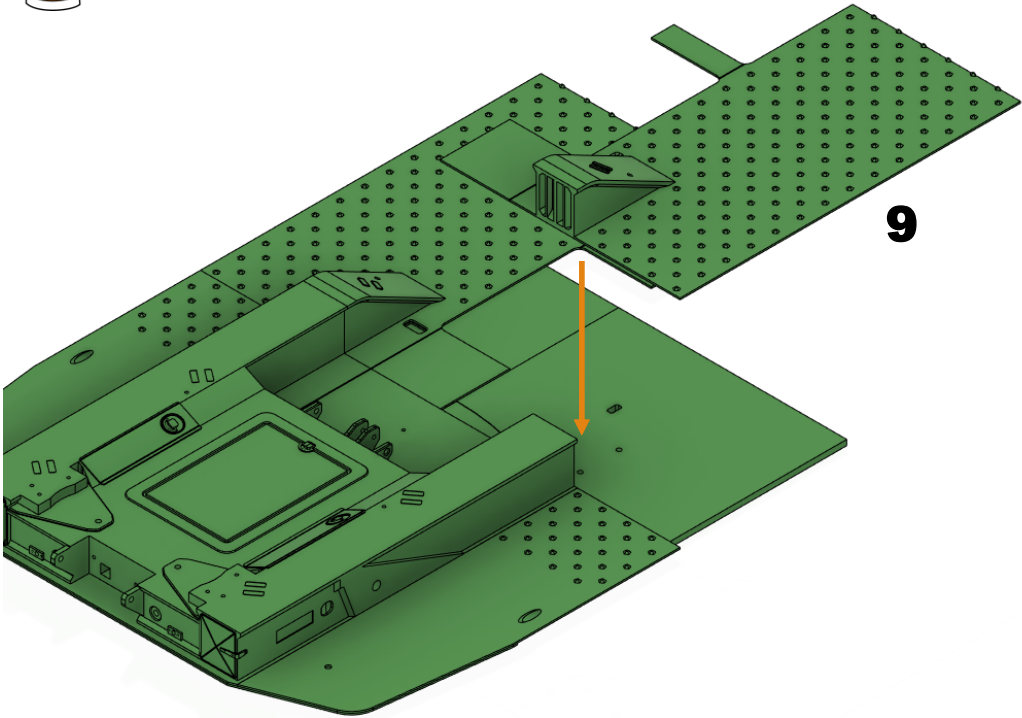
Body_2



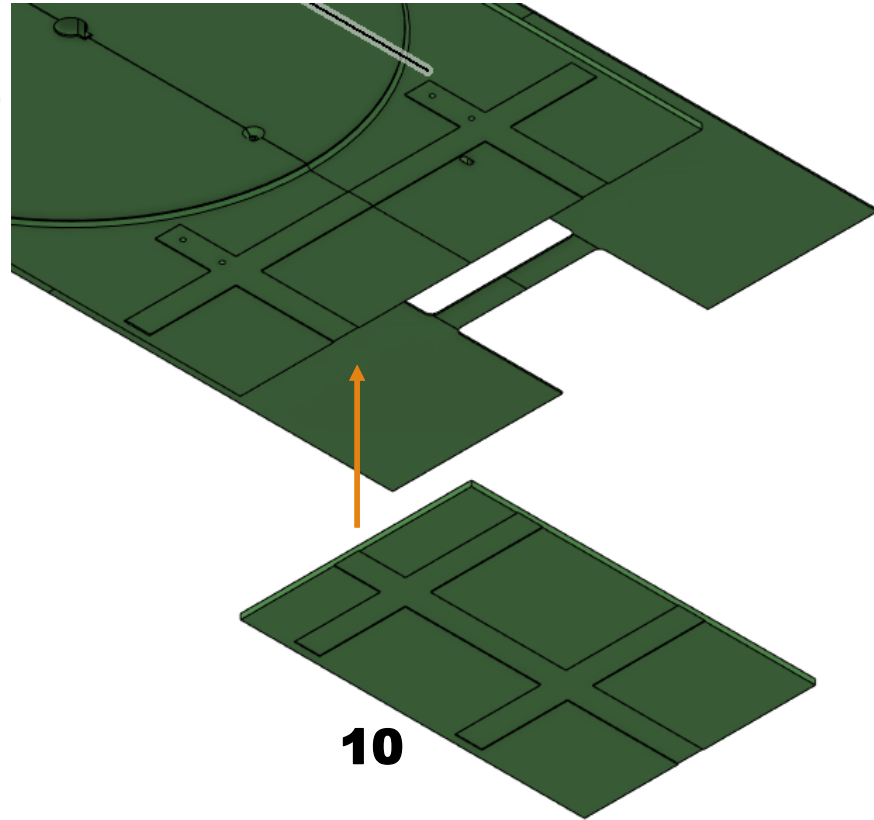
Body_2



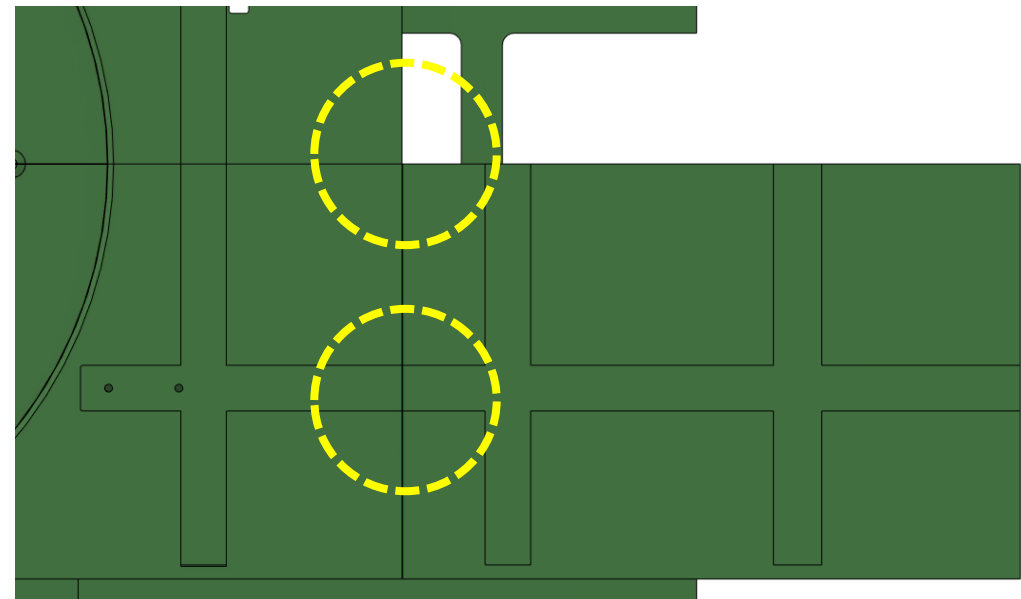
Body_2



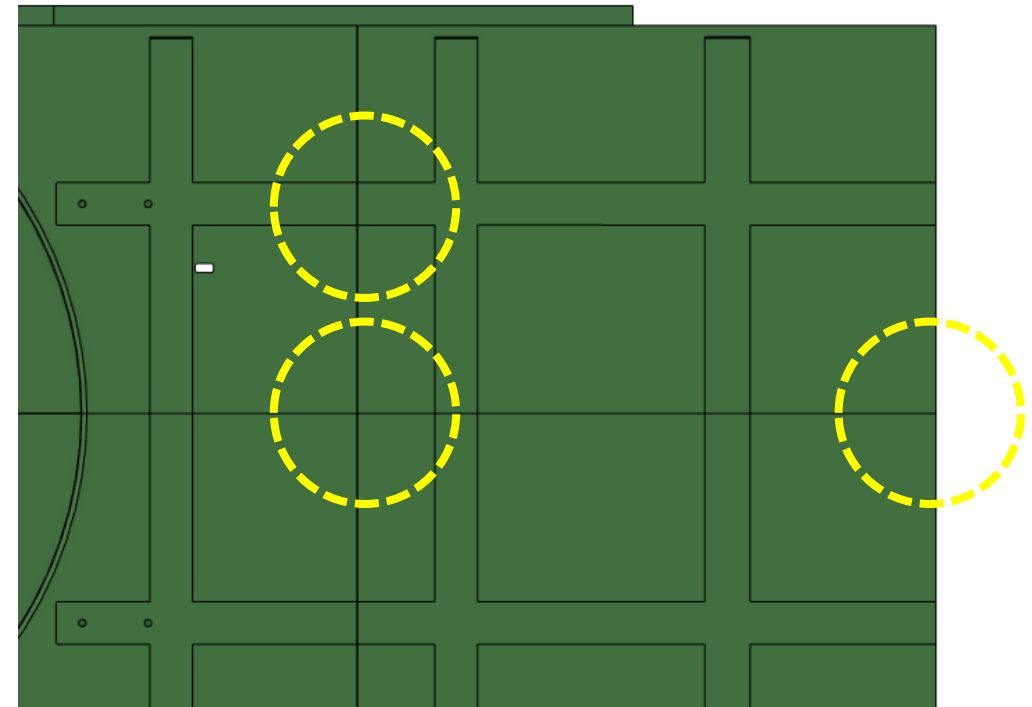
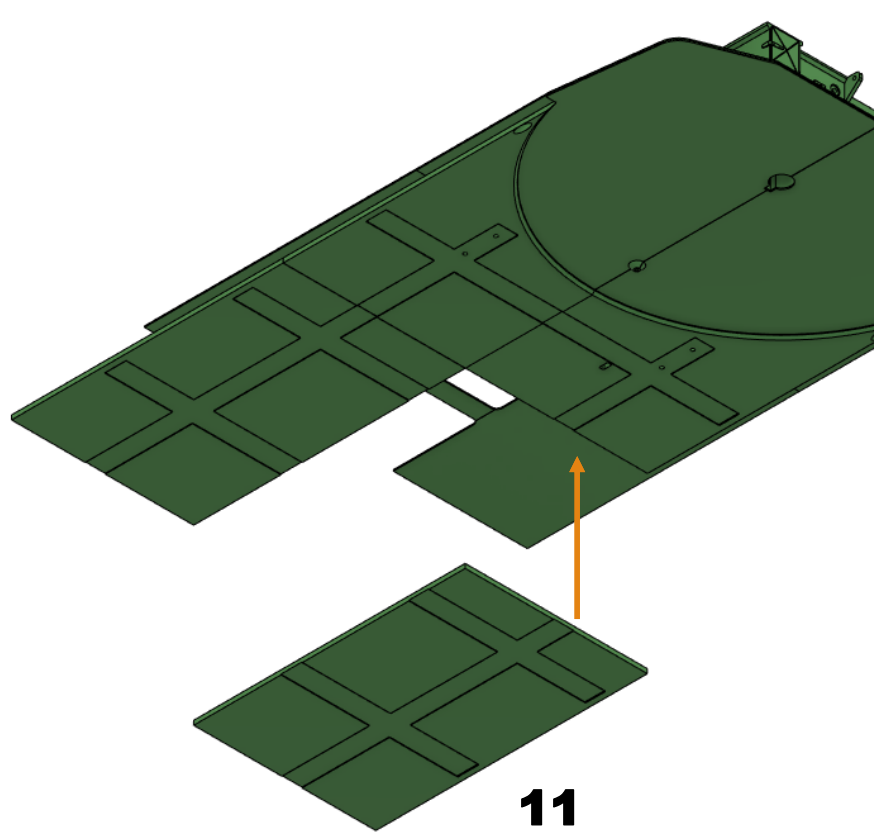
Body_2



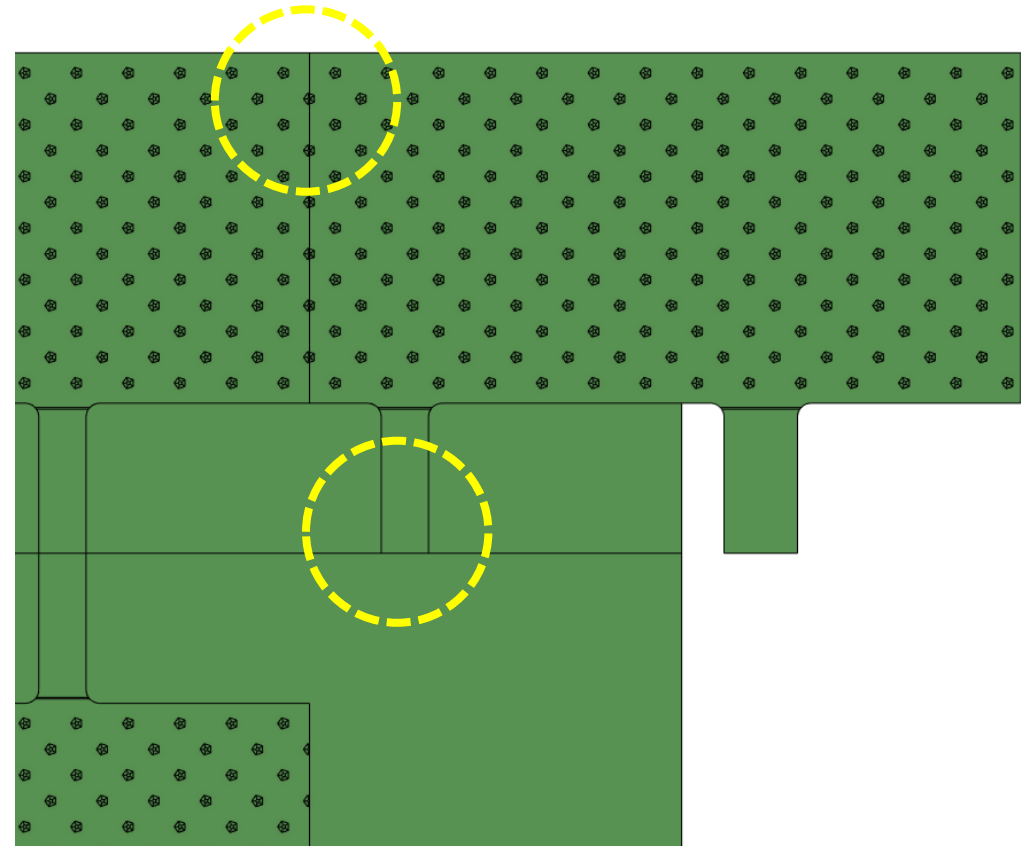
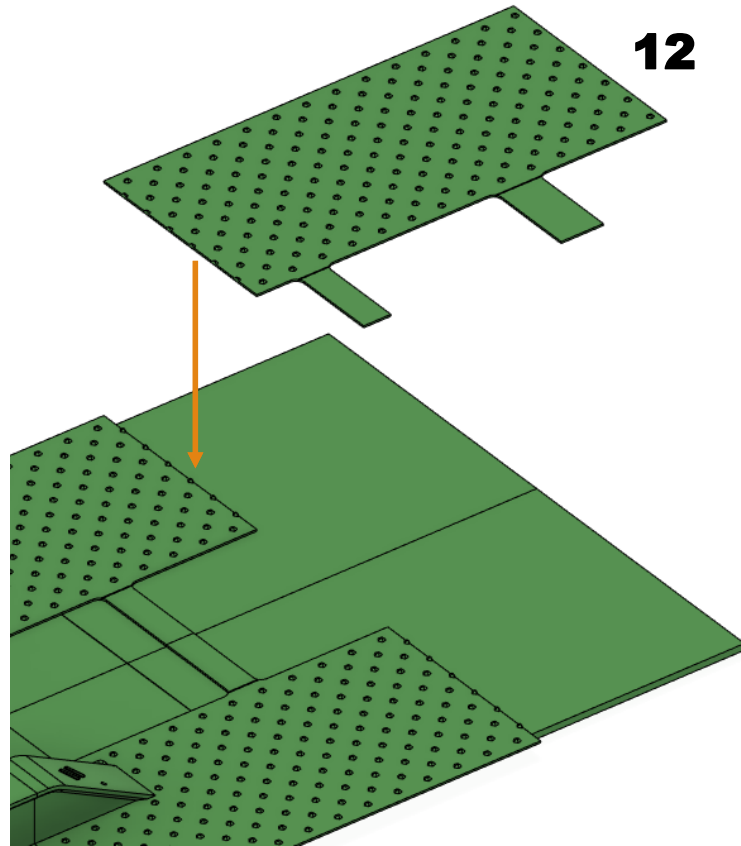
10



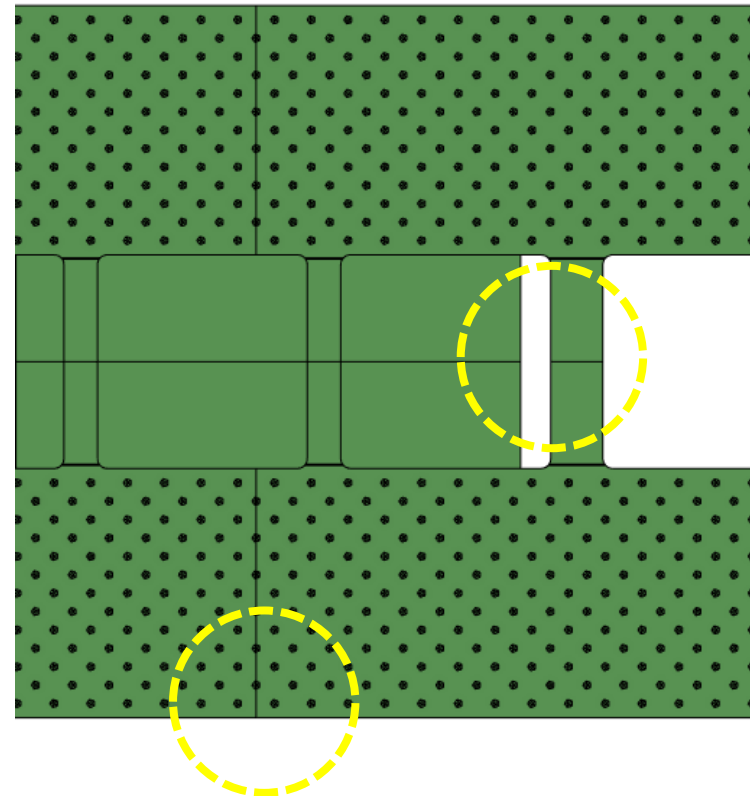
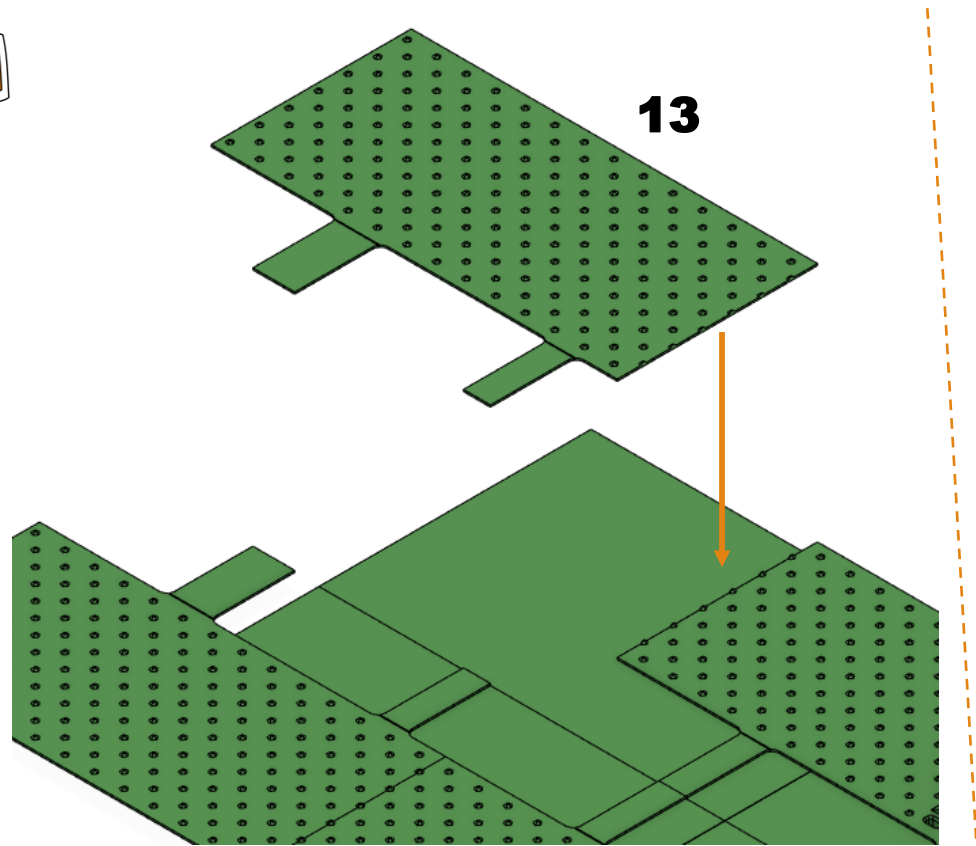
Body_2



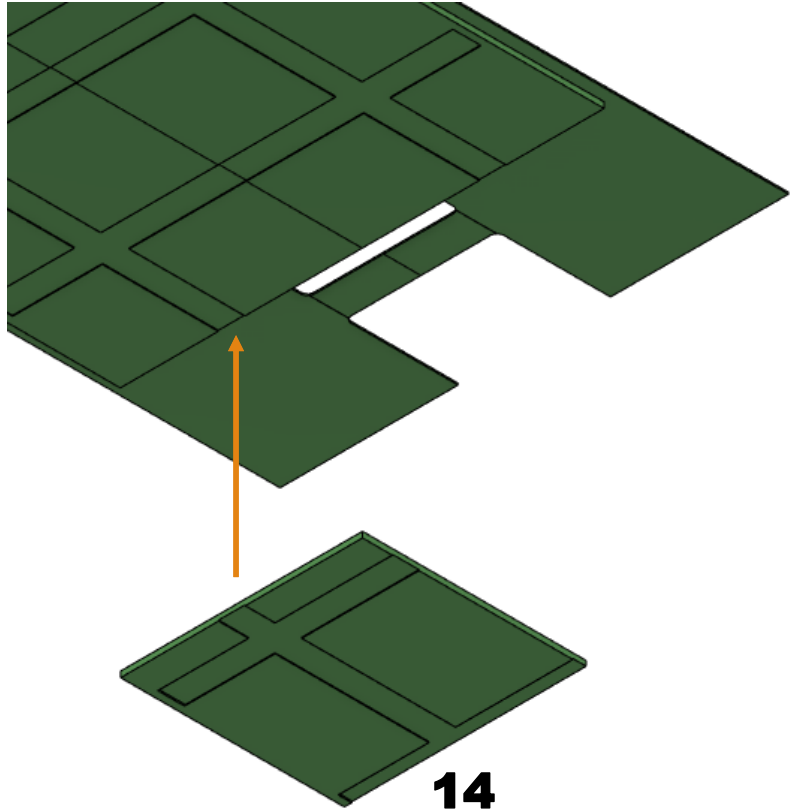
Body_2



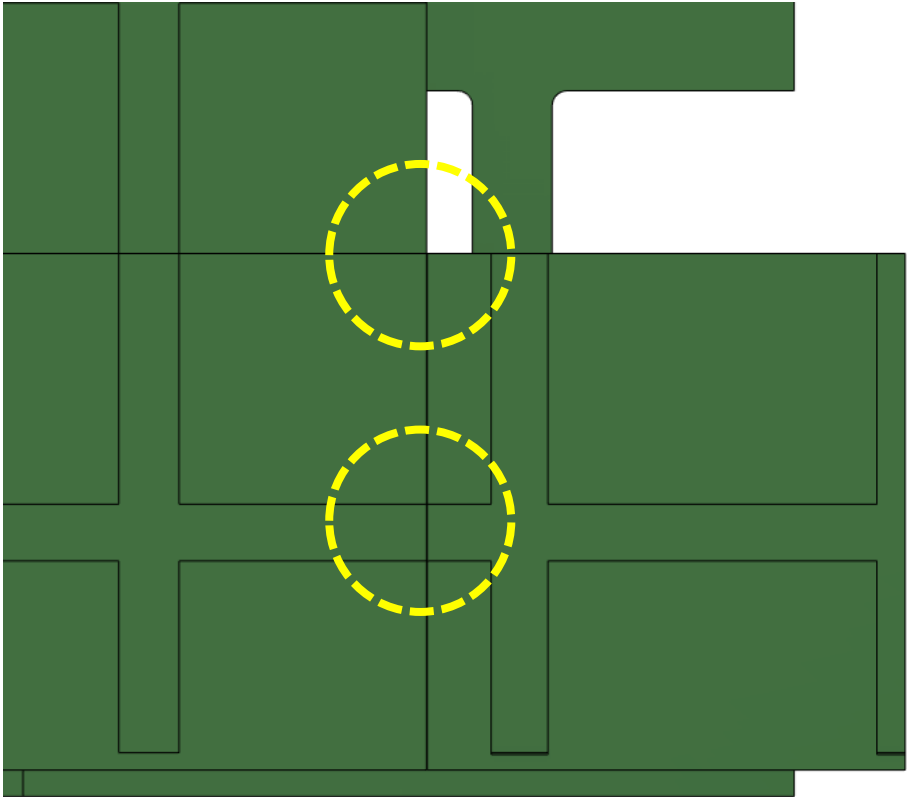
Body_2



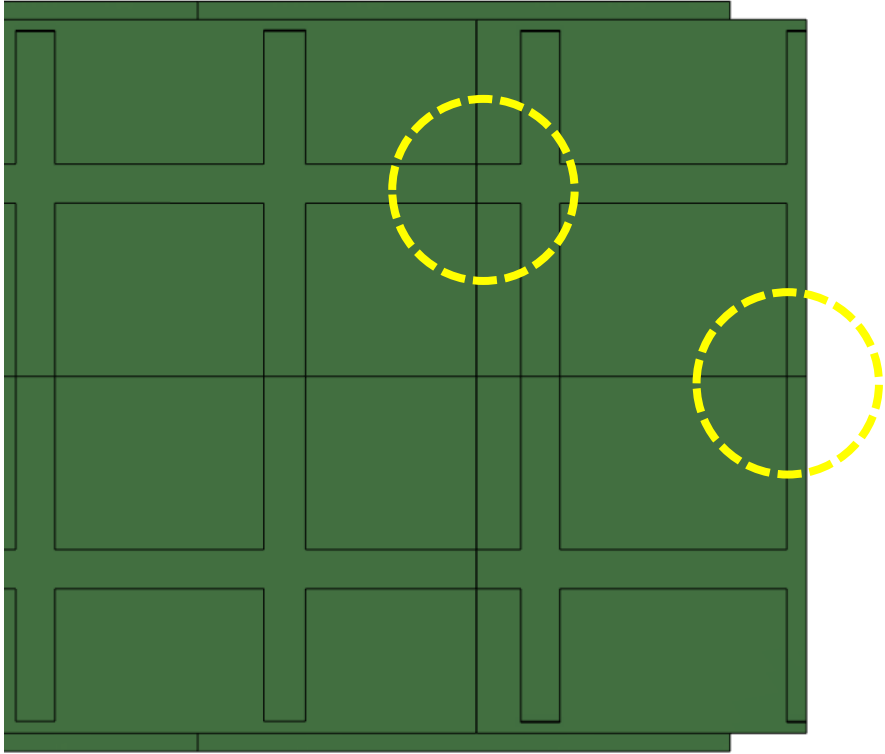
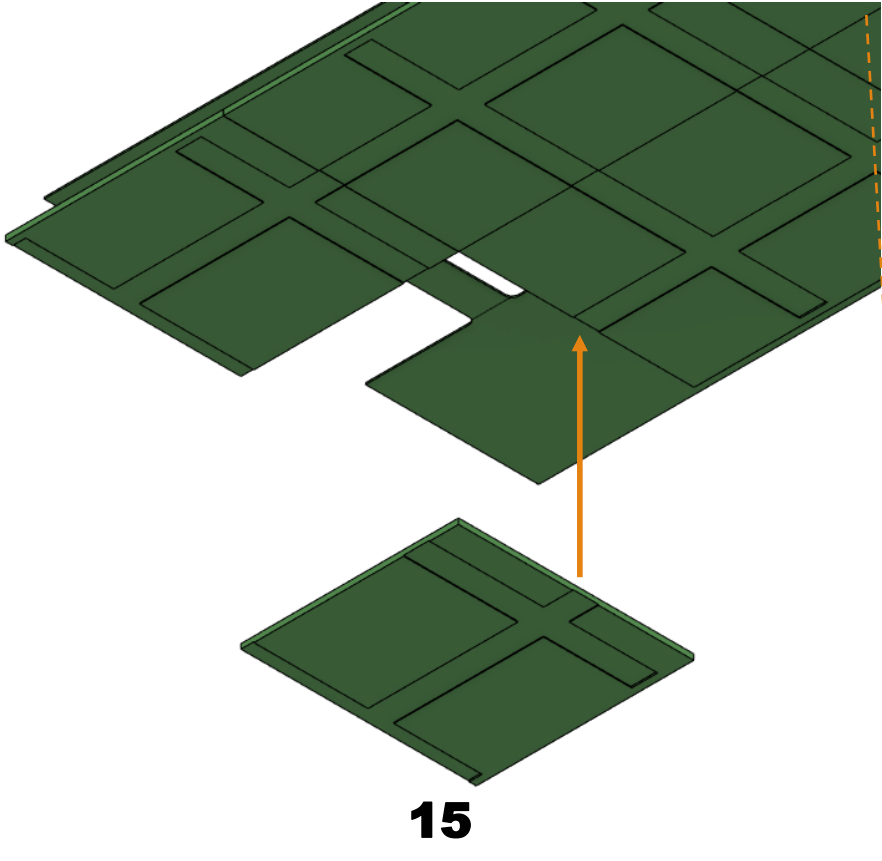
Body_2



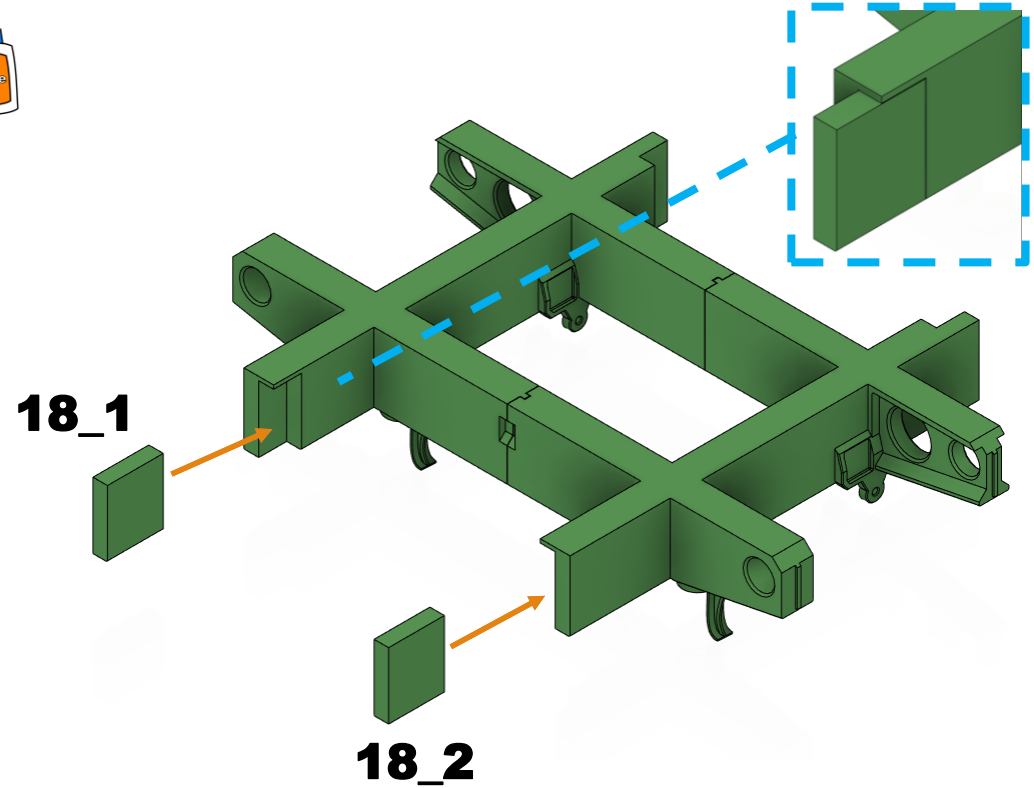
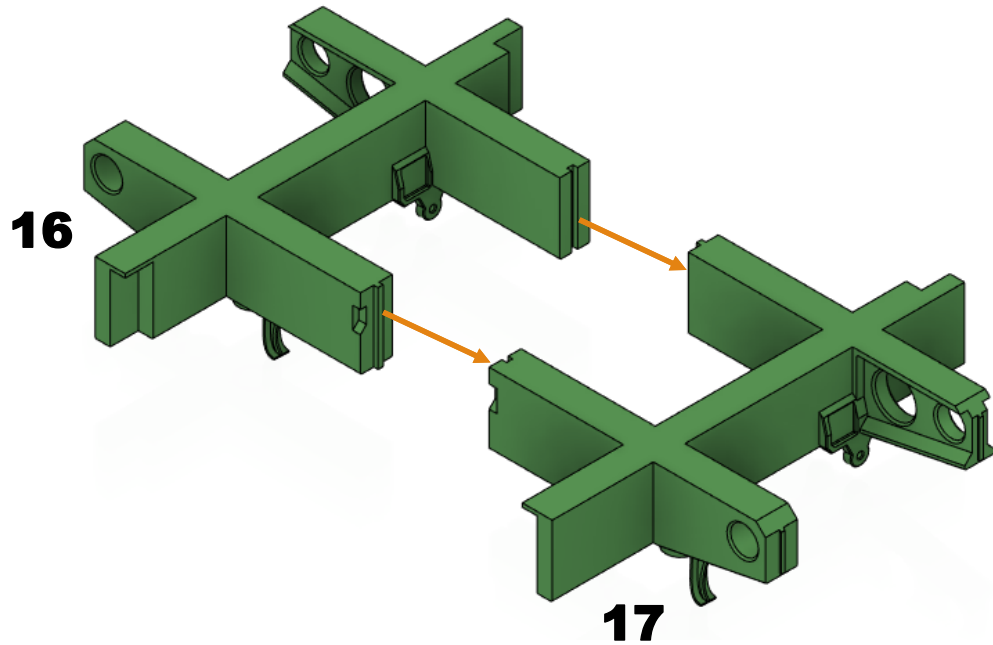
14



Body_2



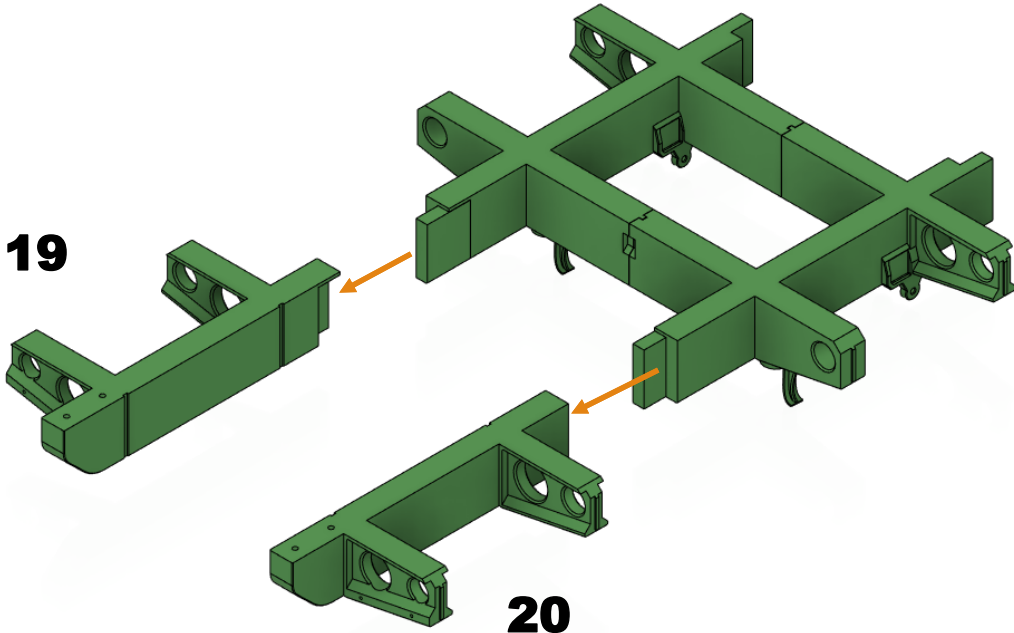
Body_2



Body_2



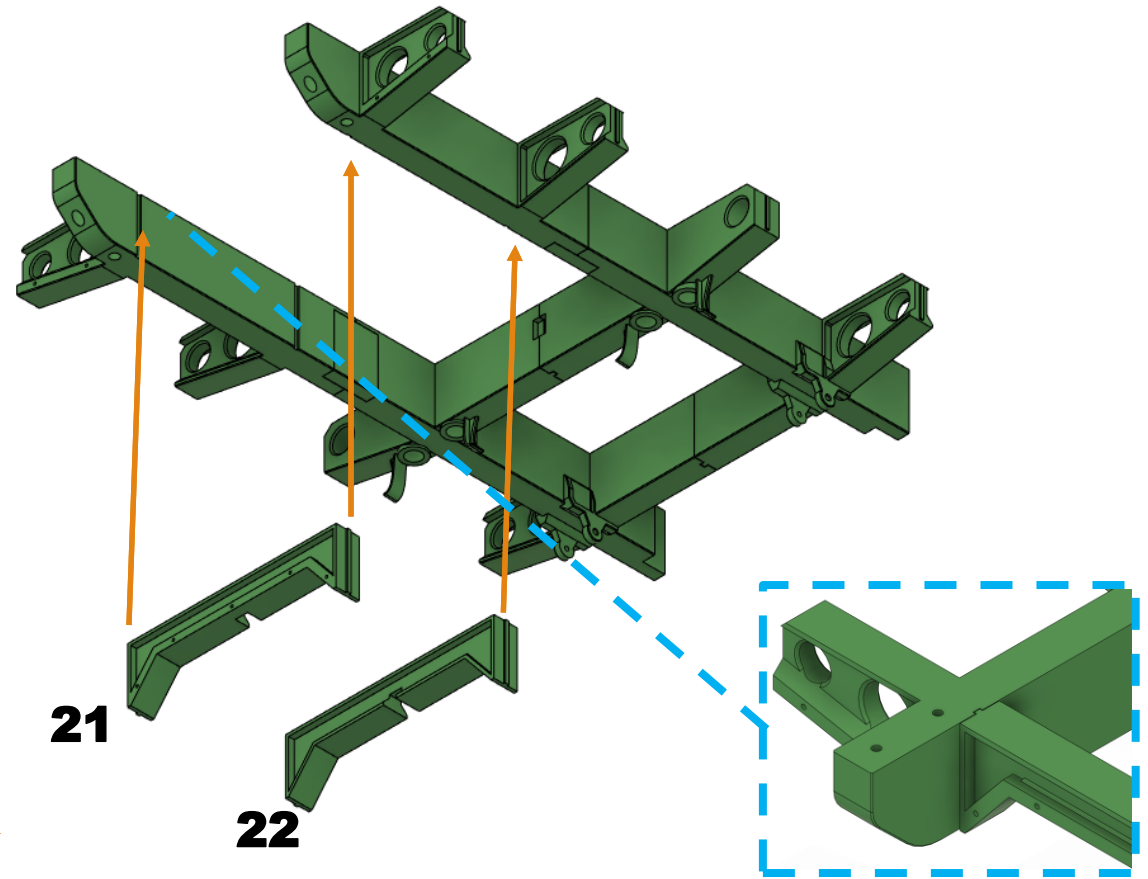
19



20

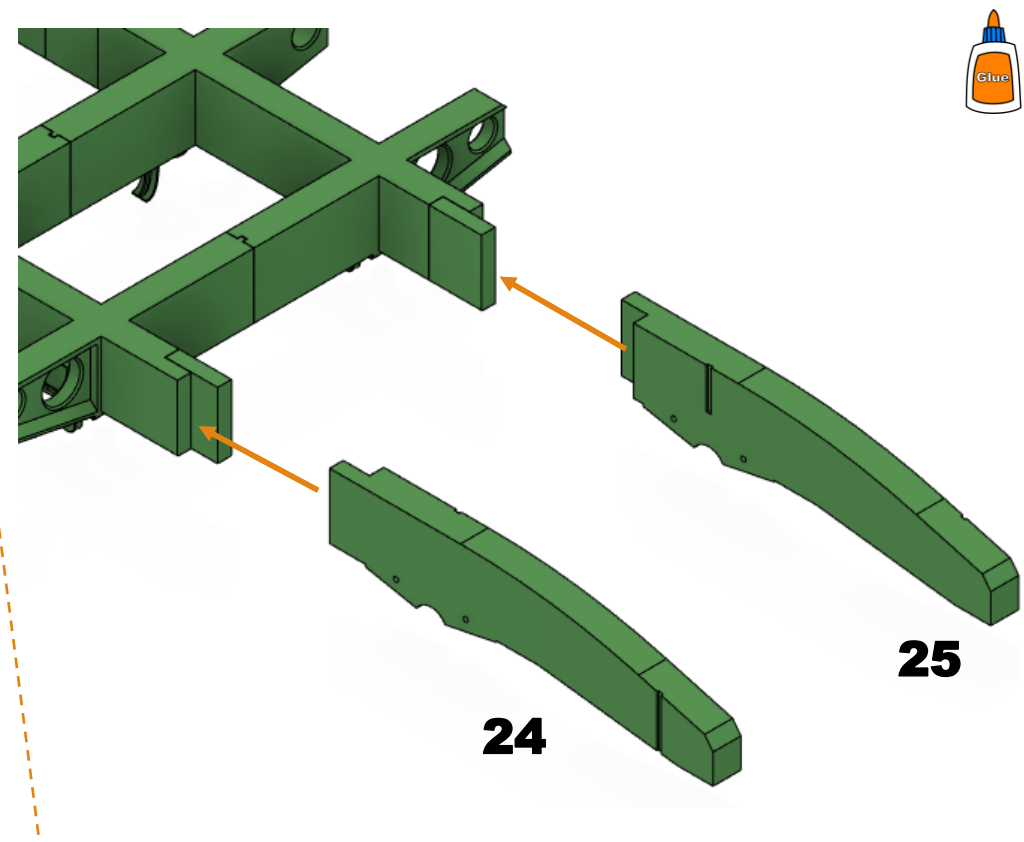
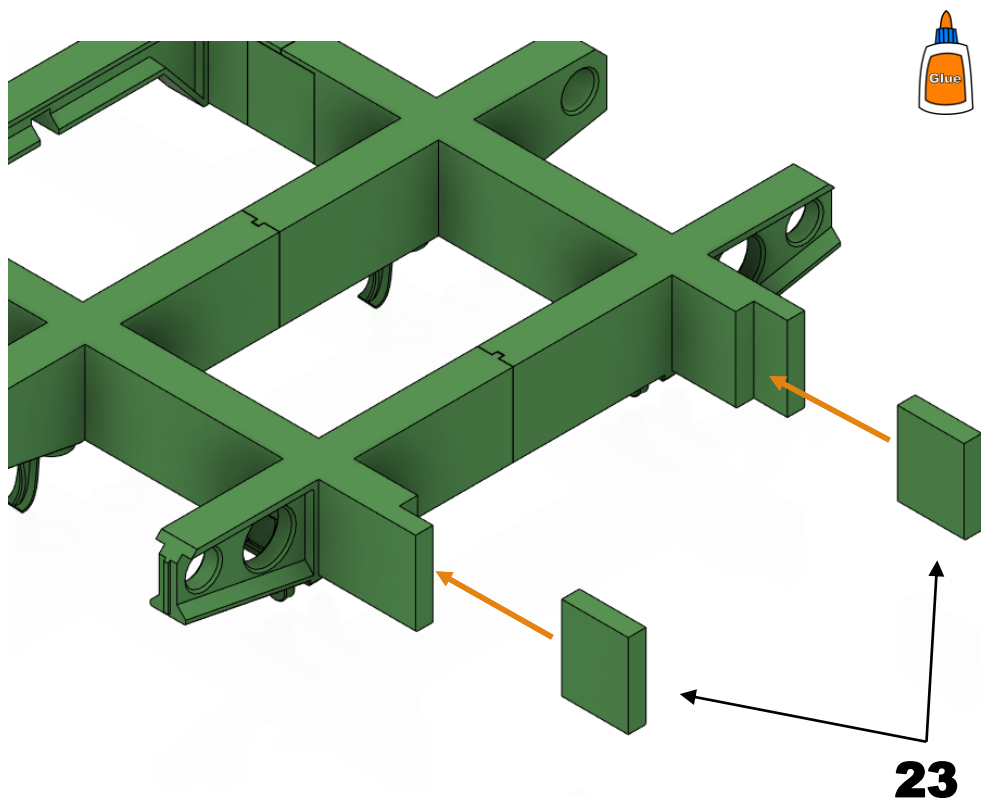


21

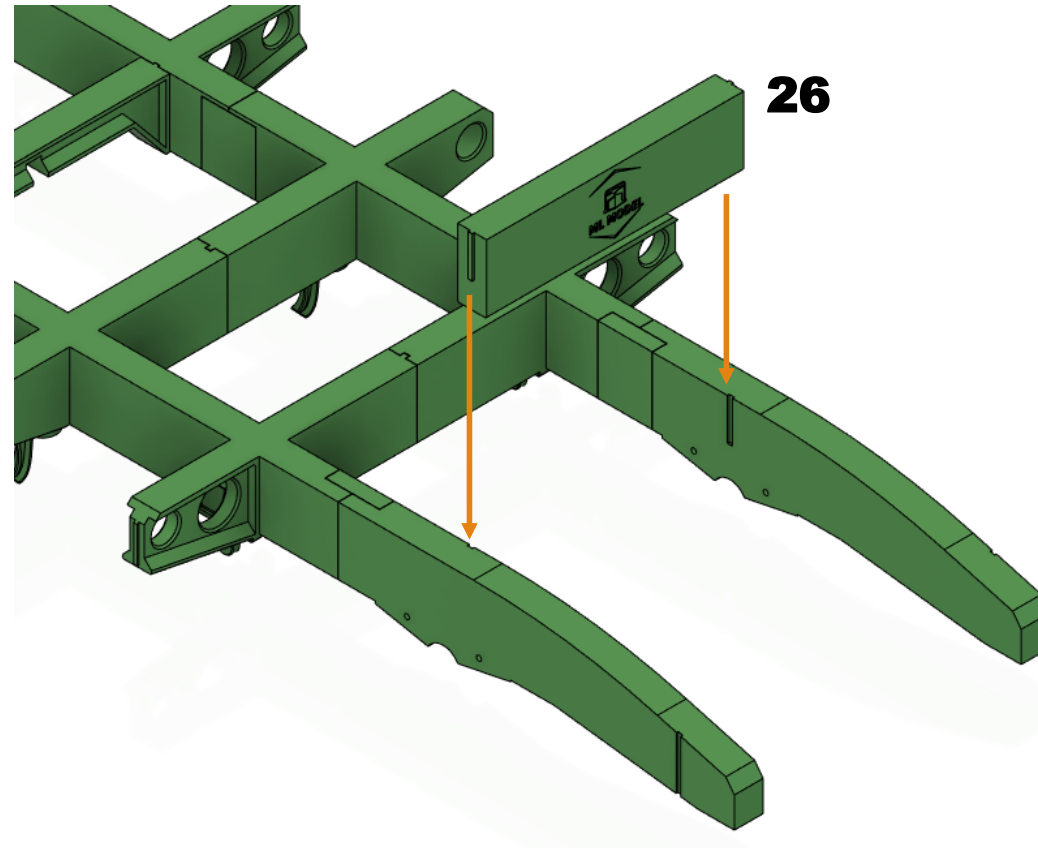


22

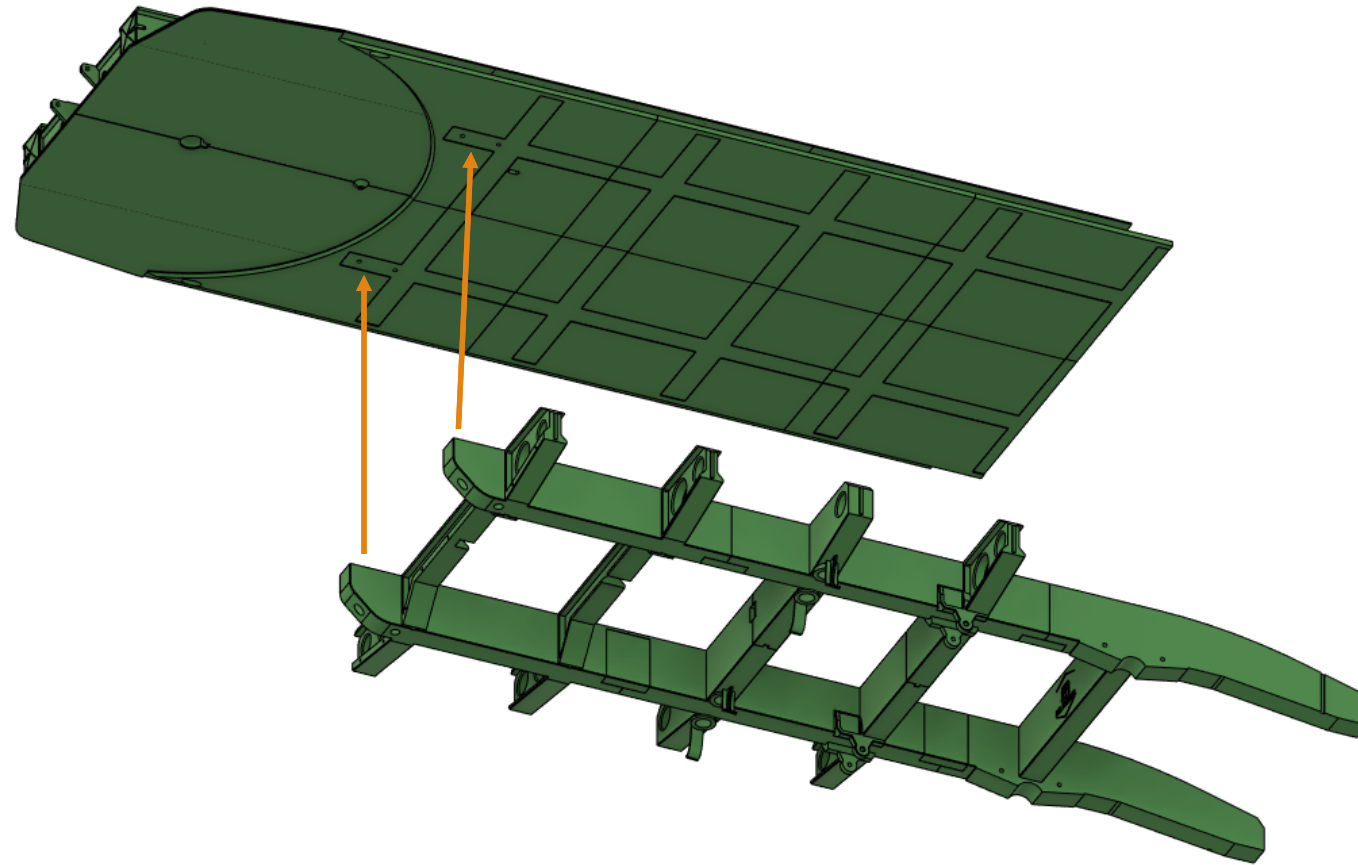
Body_2



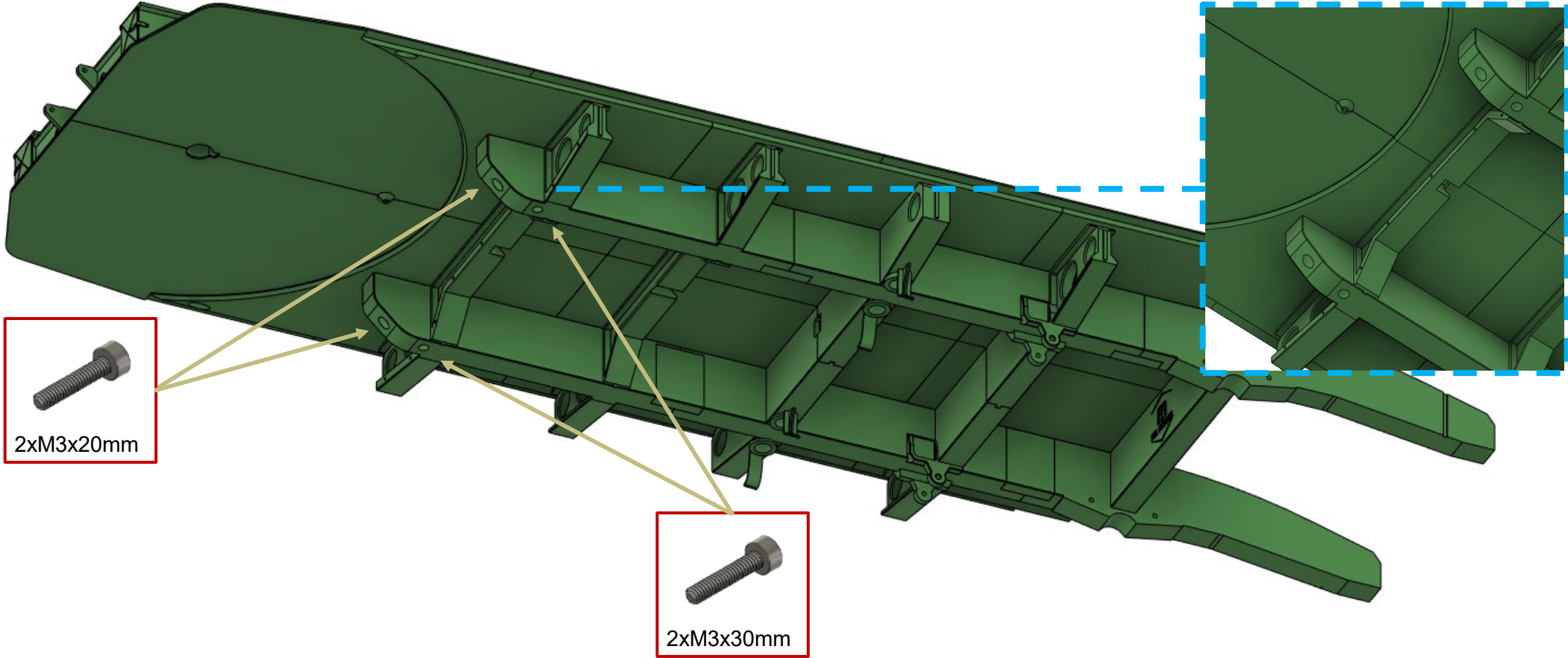
Body_2



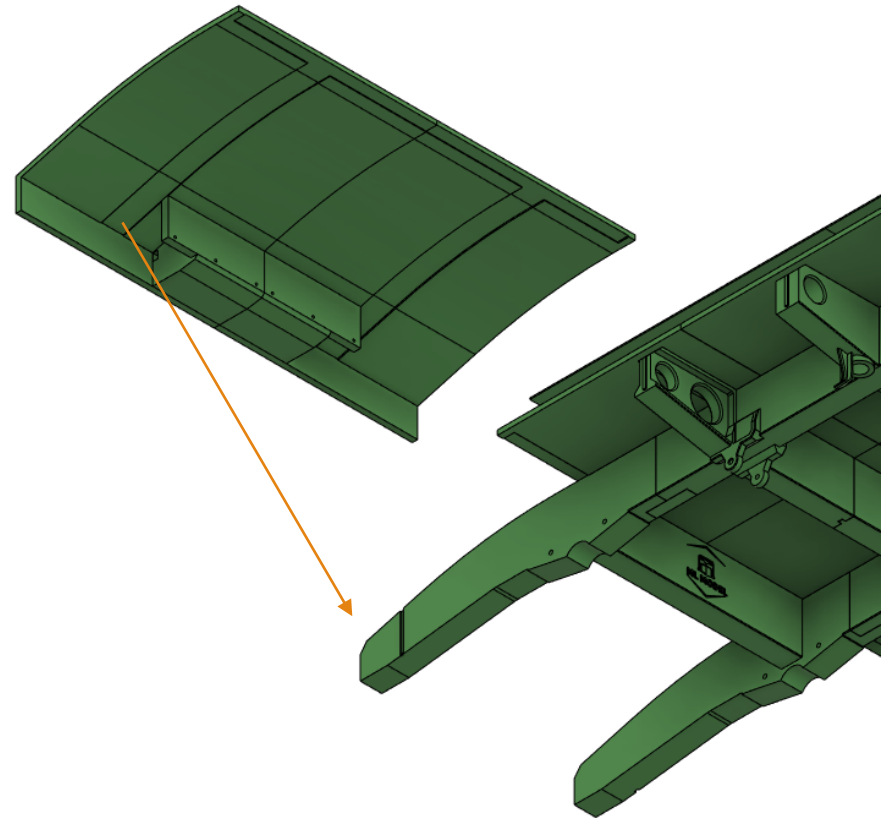
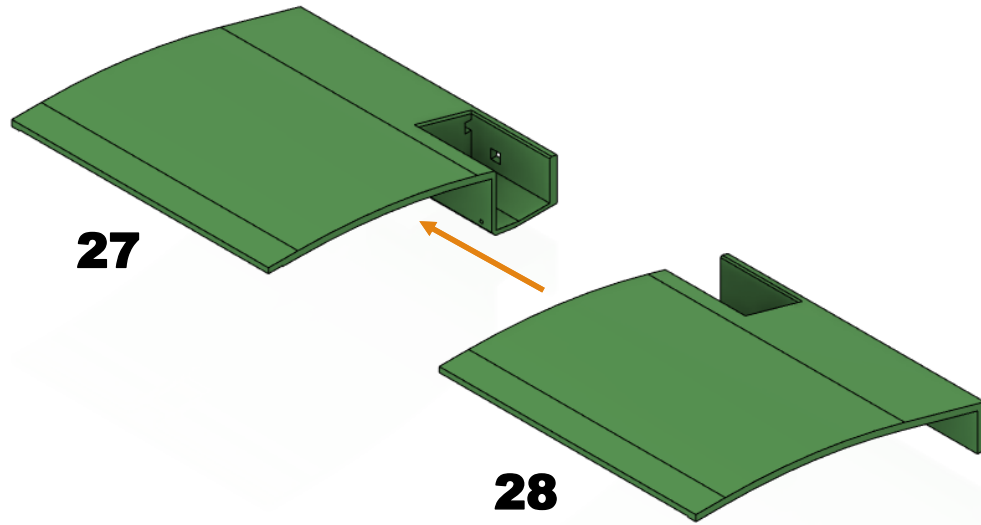
Body_2



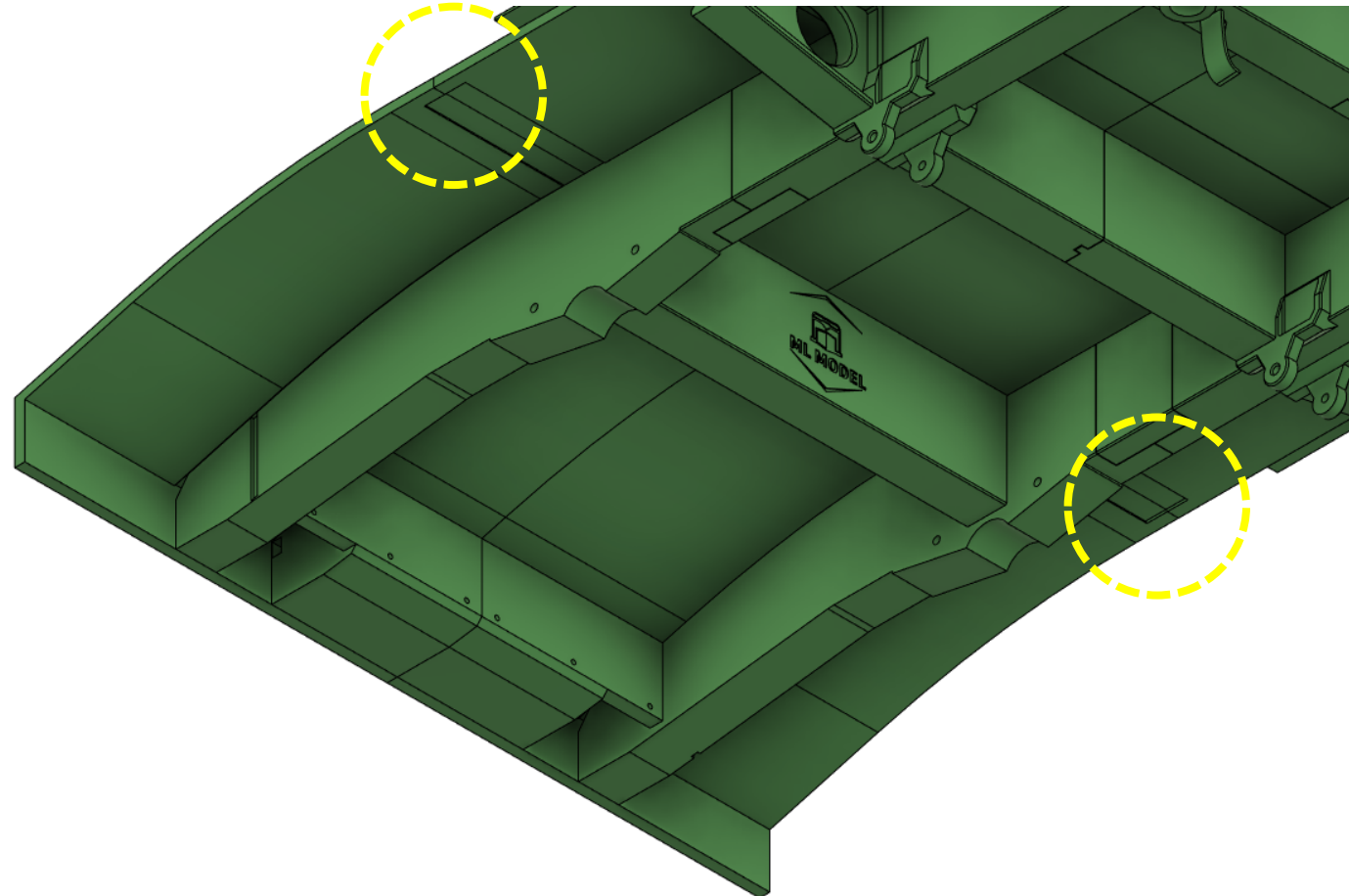
Body_2



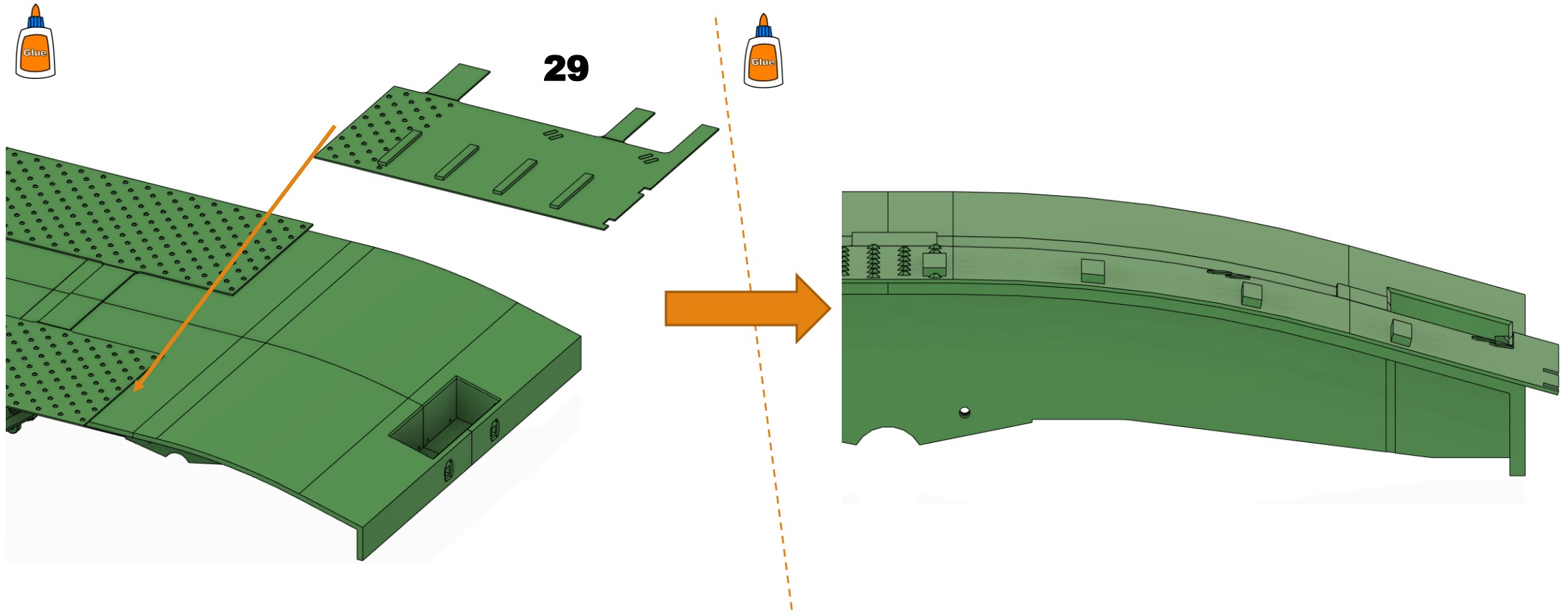
Body_2



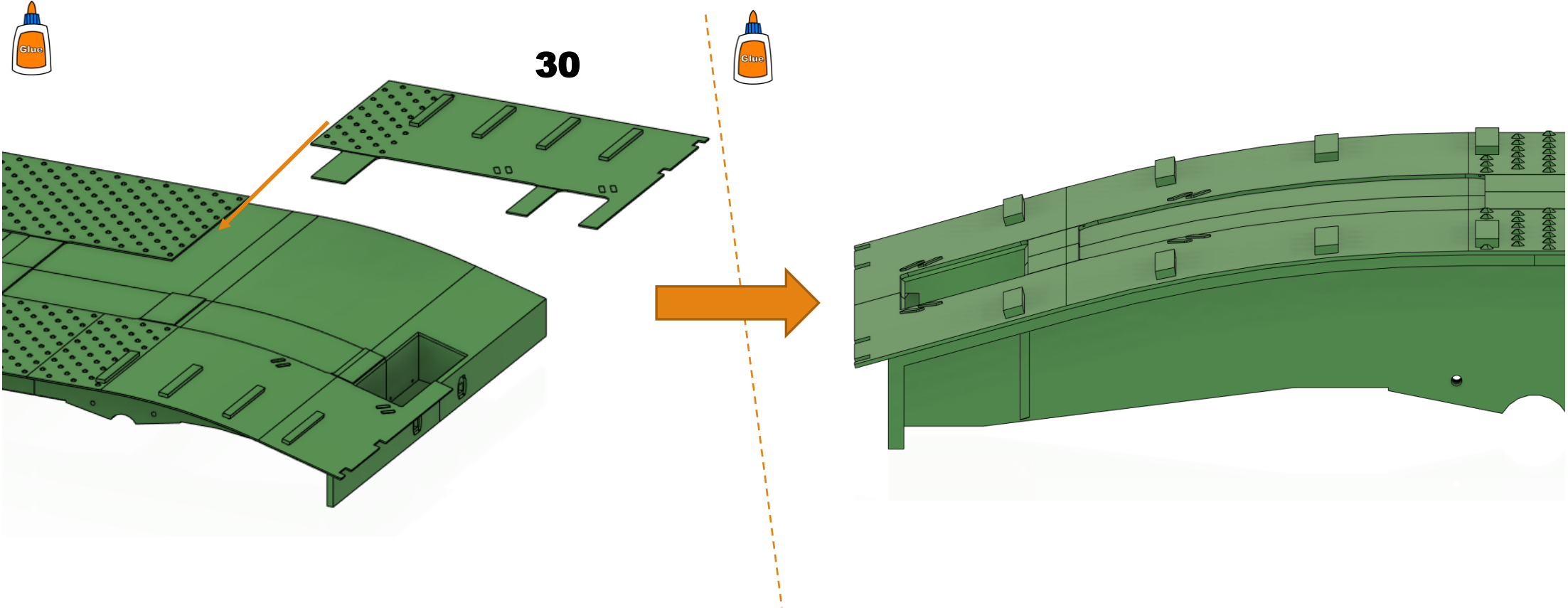
Body_2



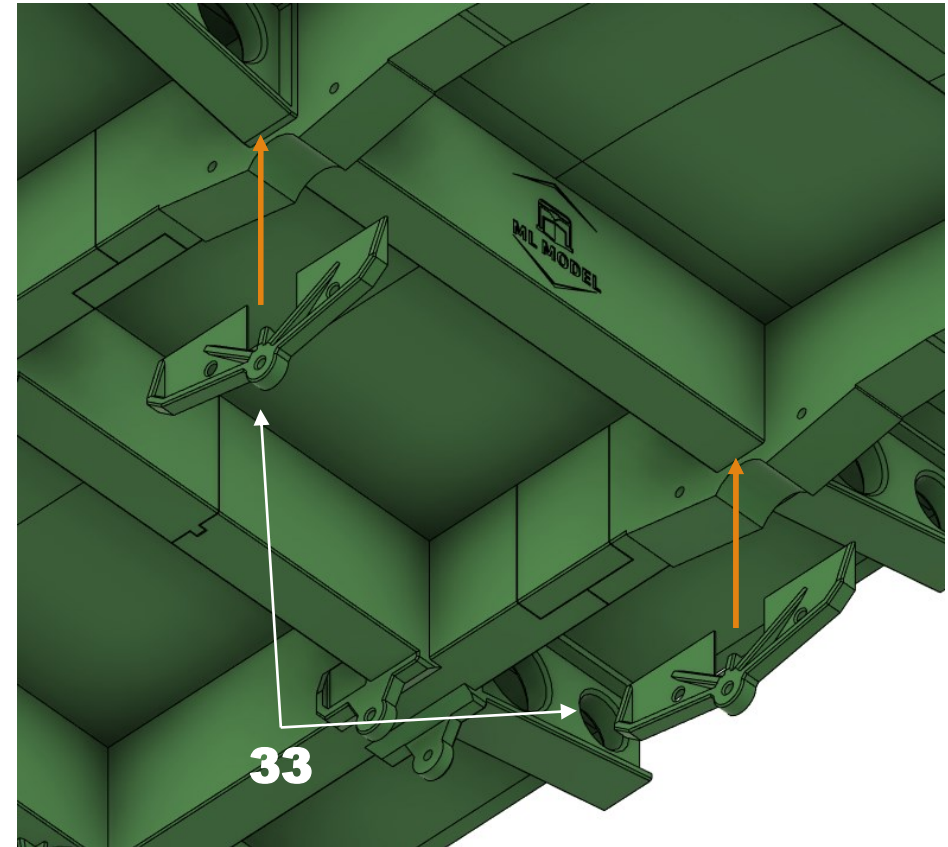
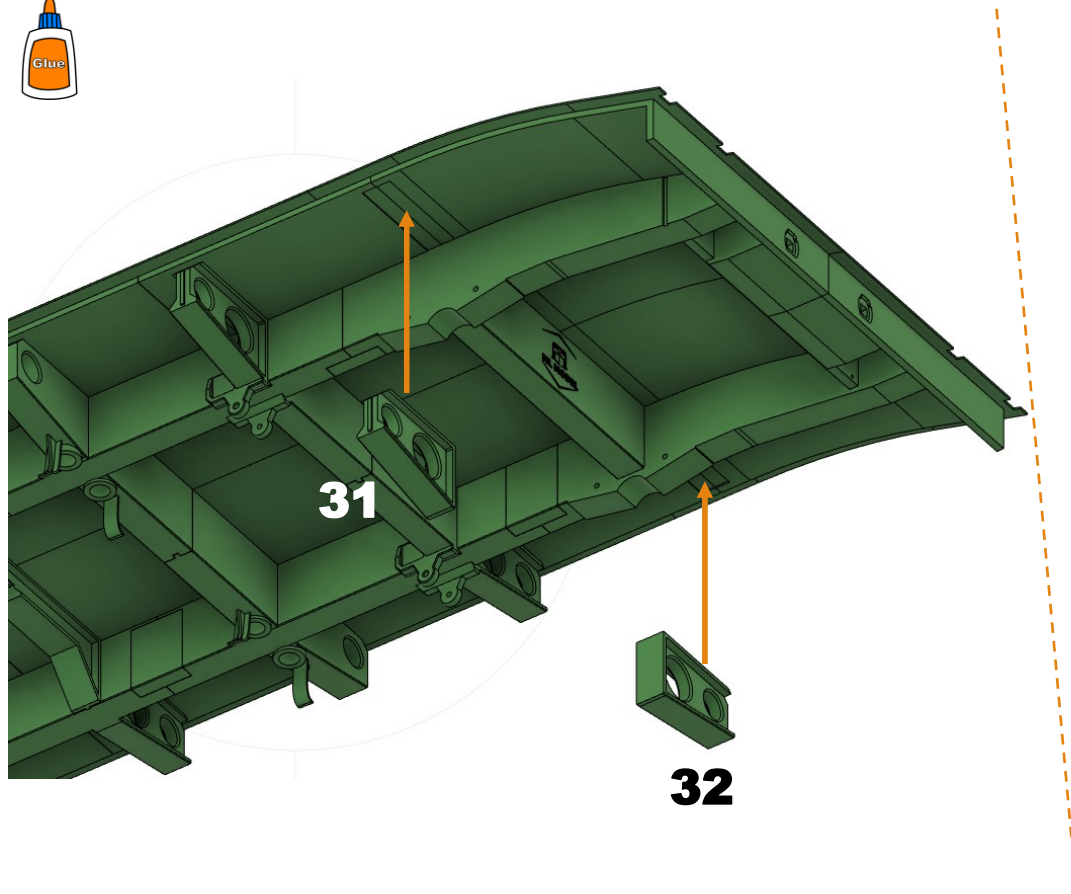
Body_2



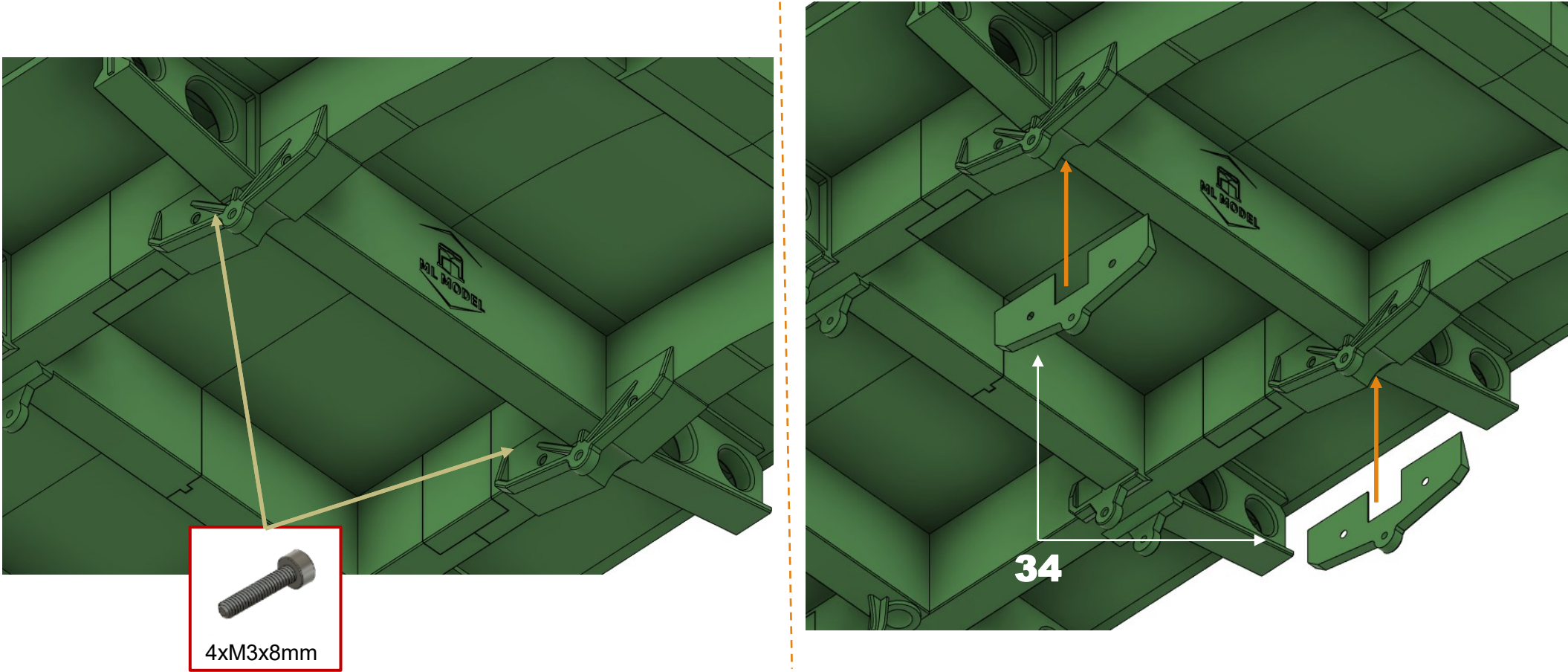
Body_2



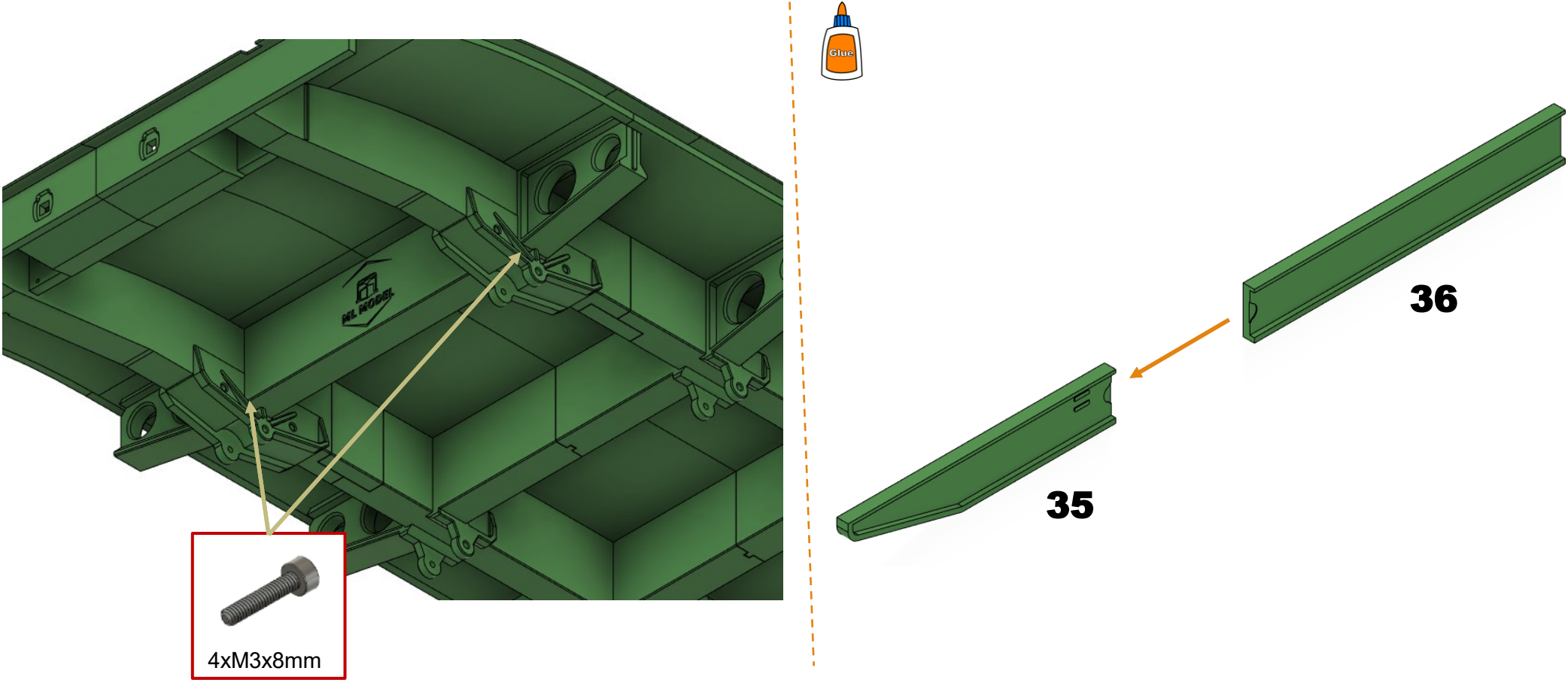
Body_2



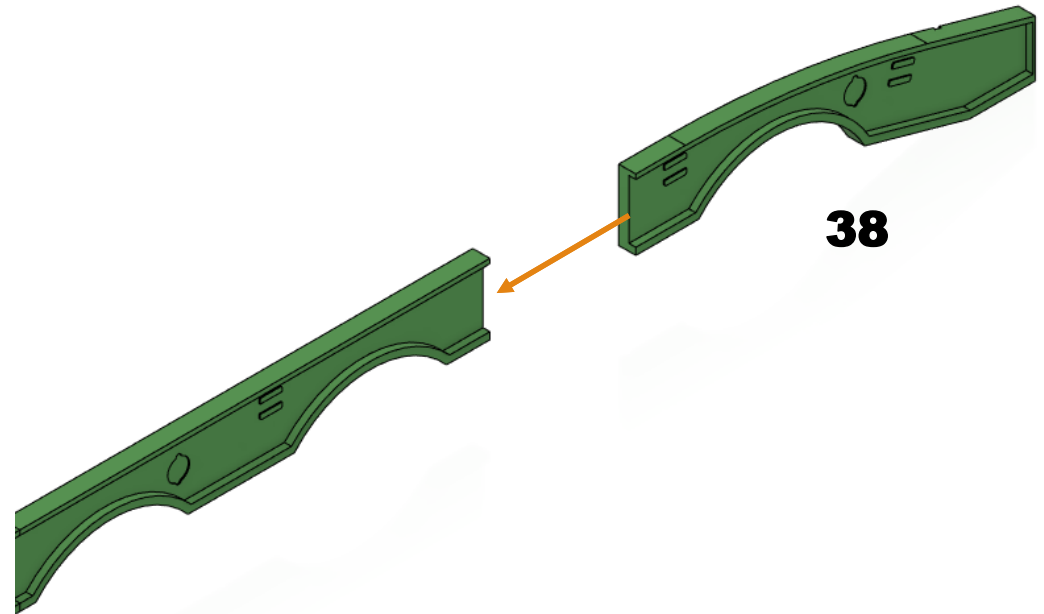
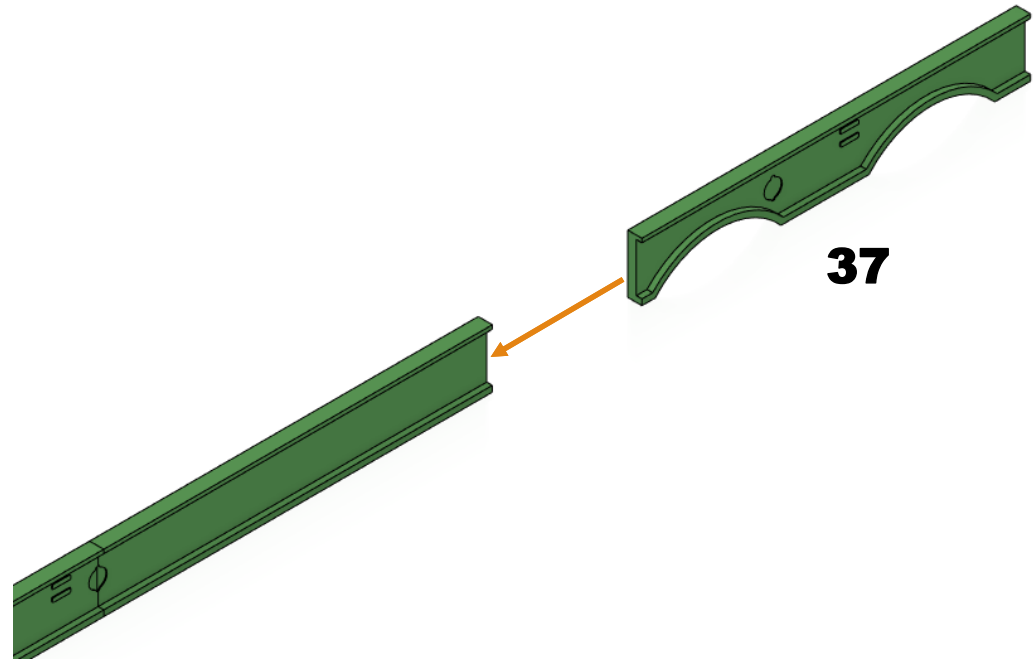
Body_2



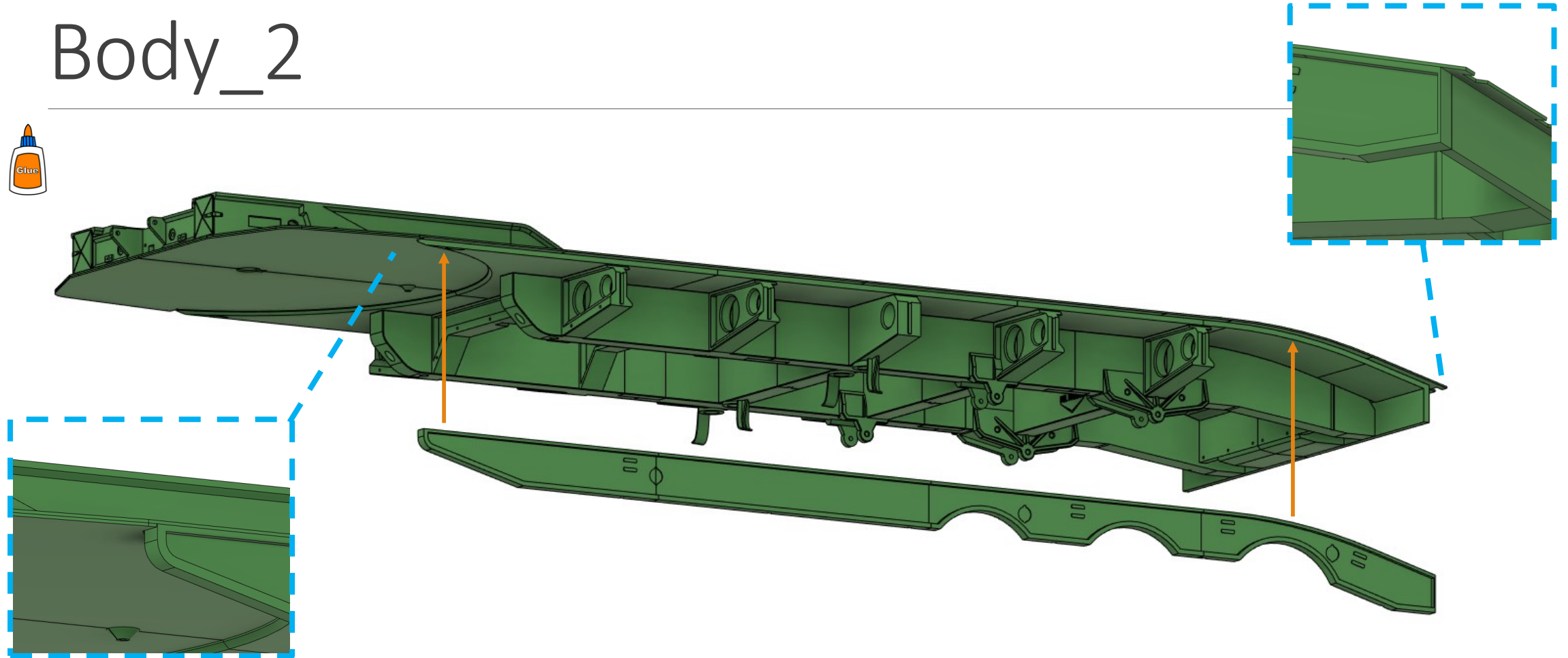
Body_2



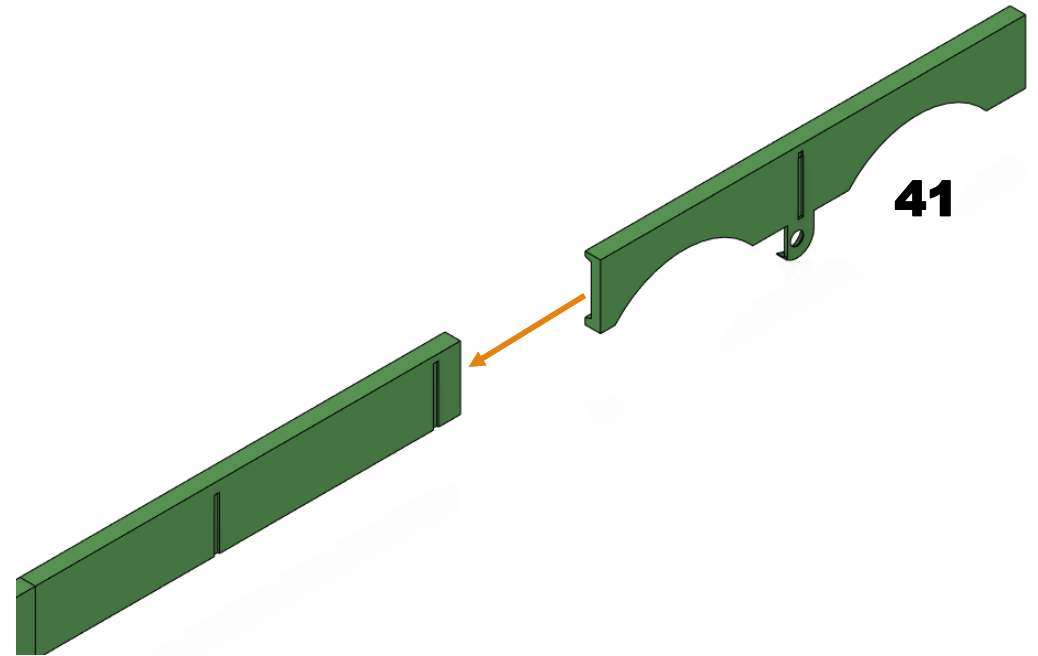
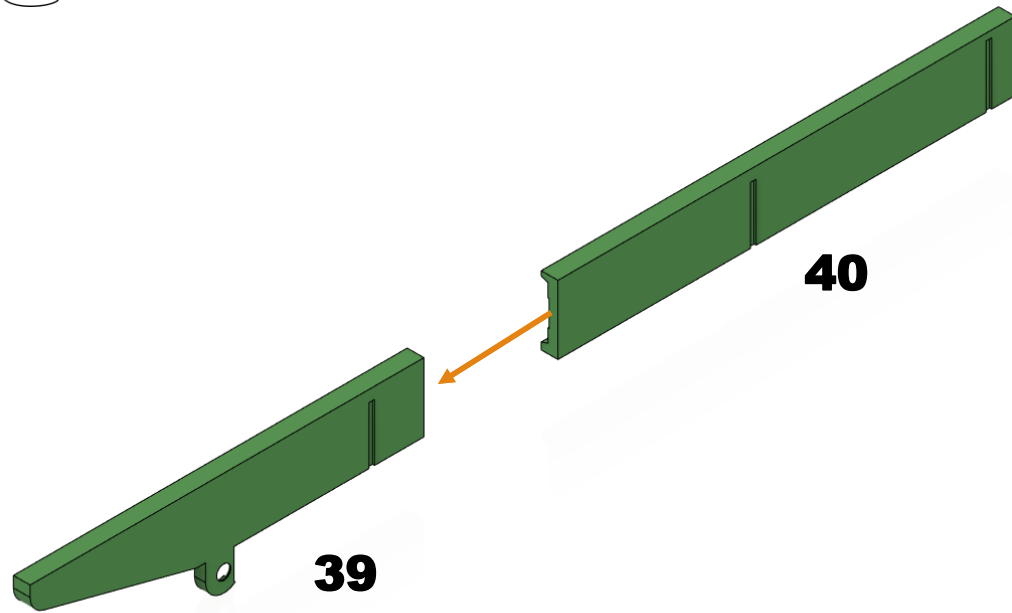
Body_2



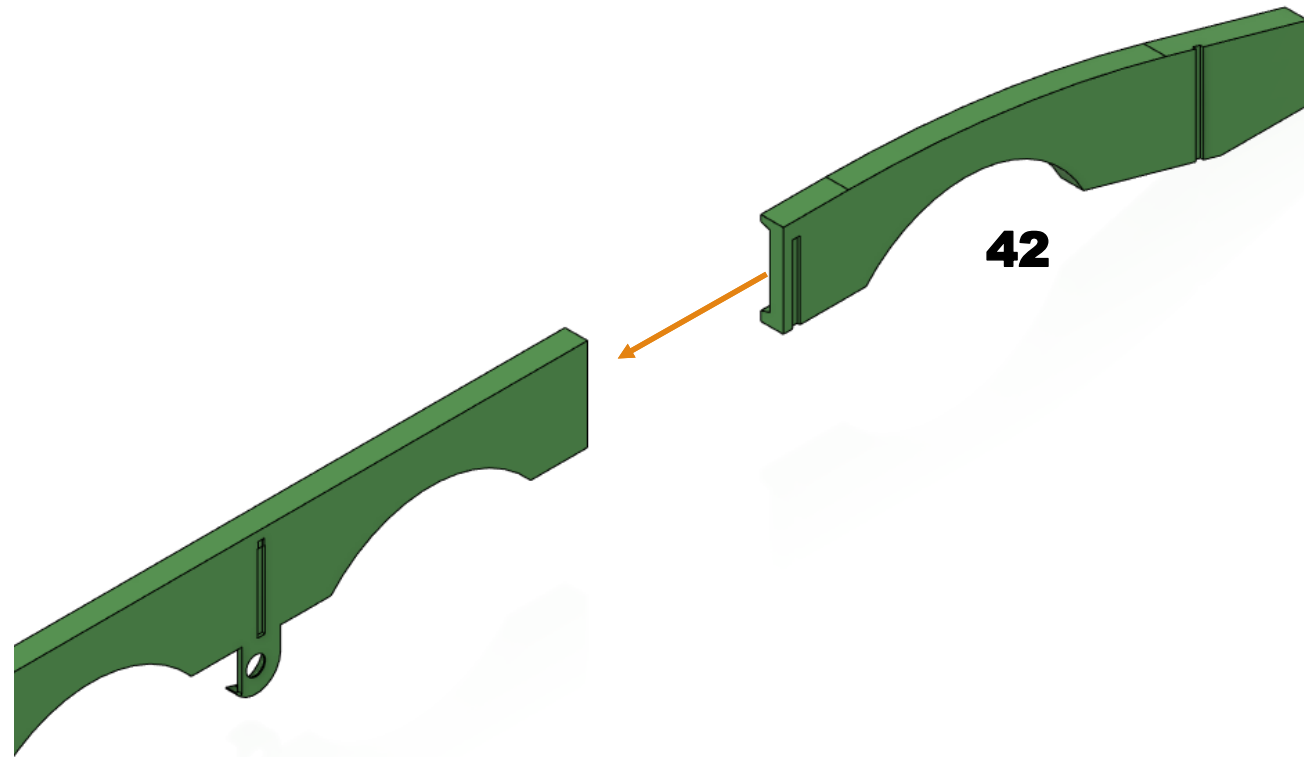
Body_2



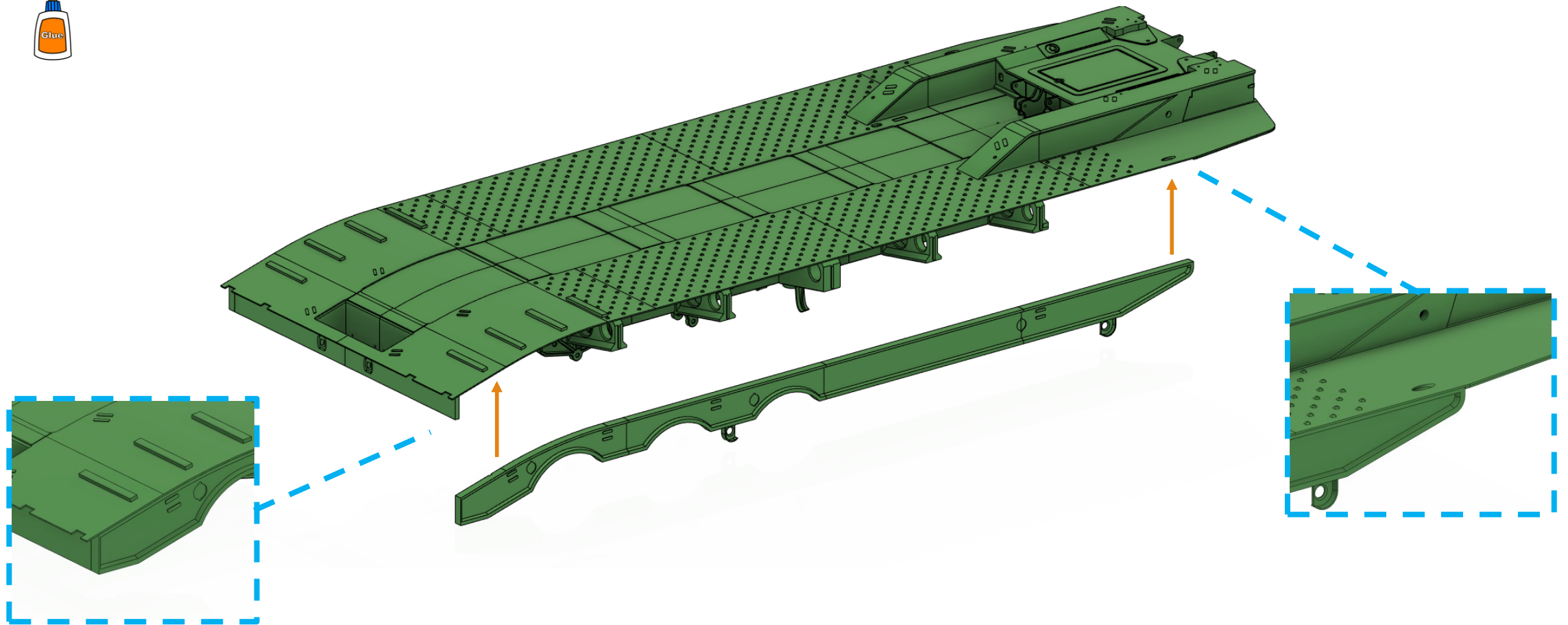
Body_2



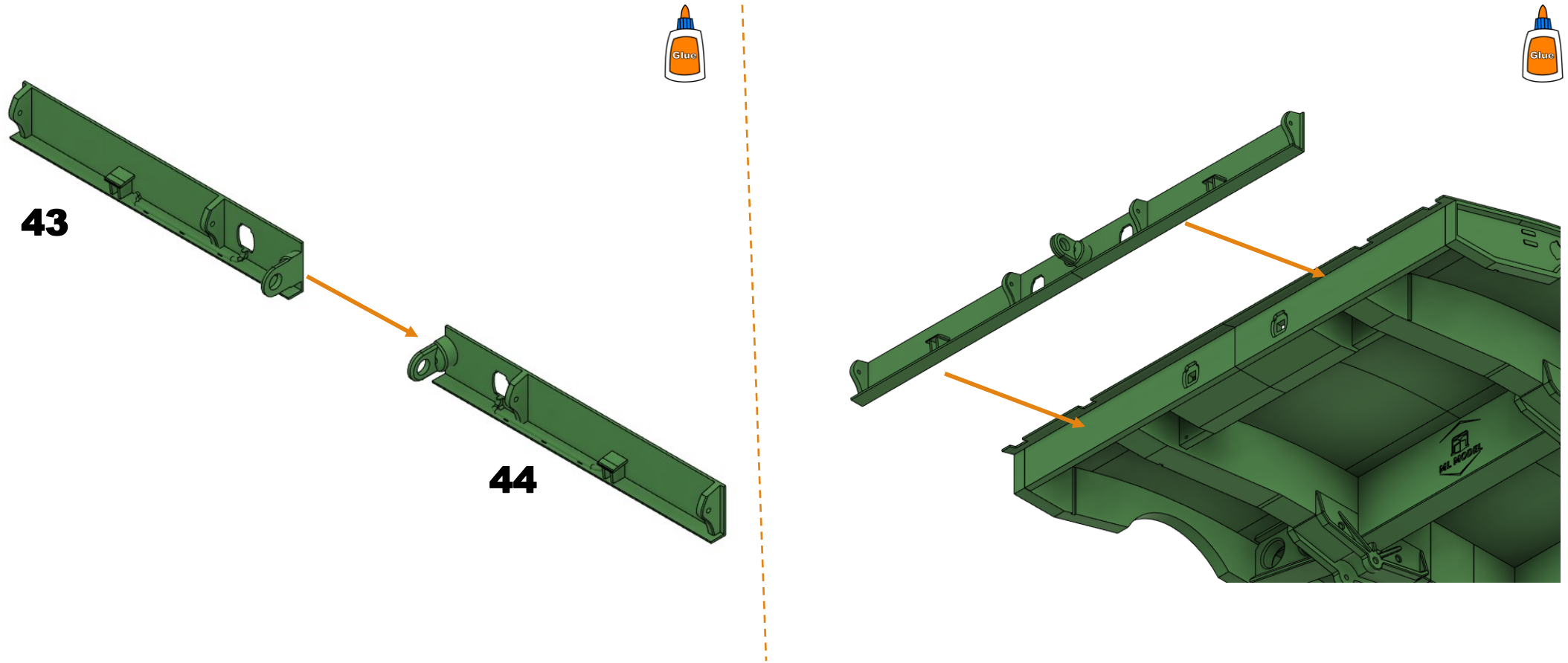
Body_2



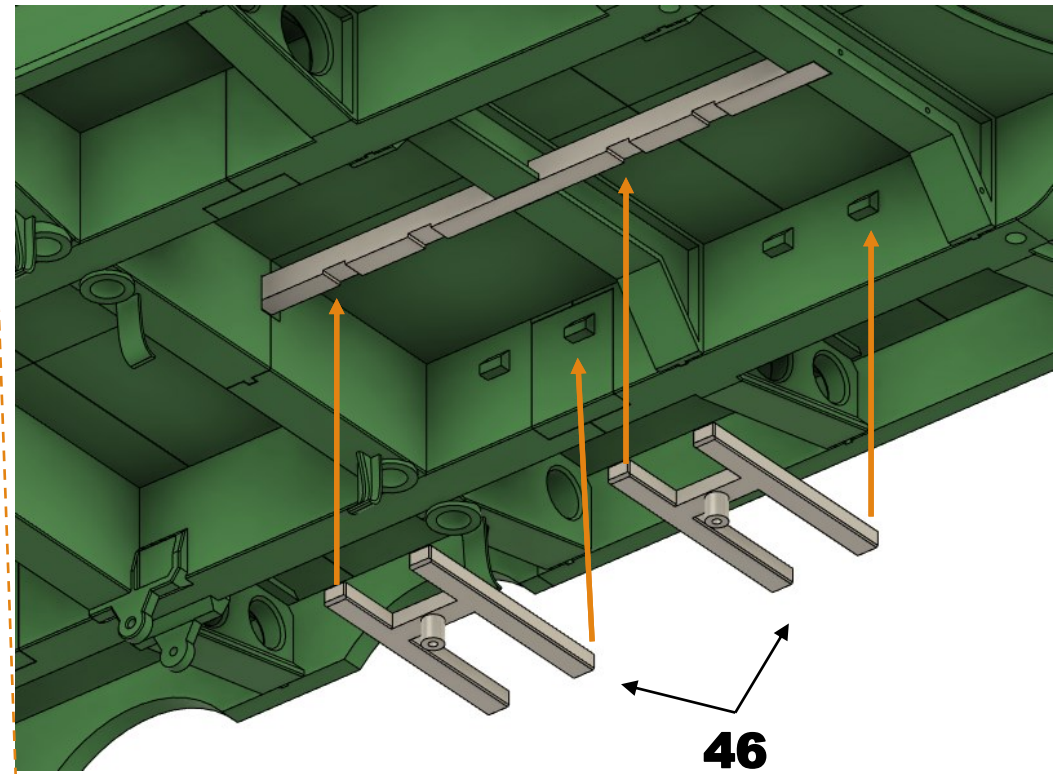
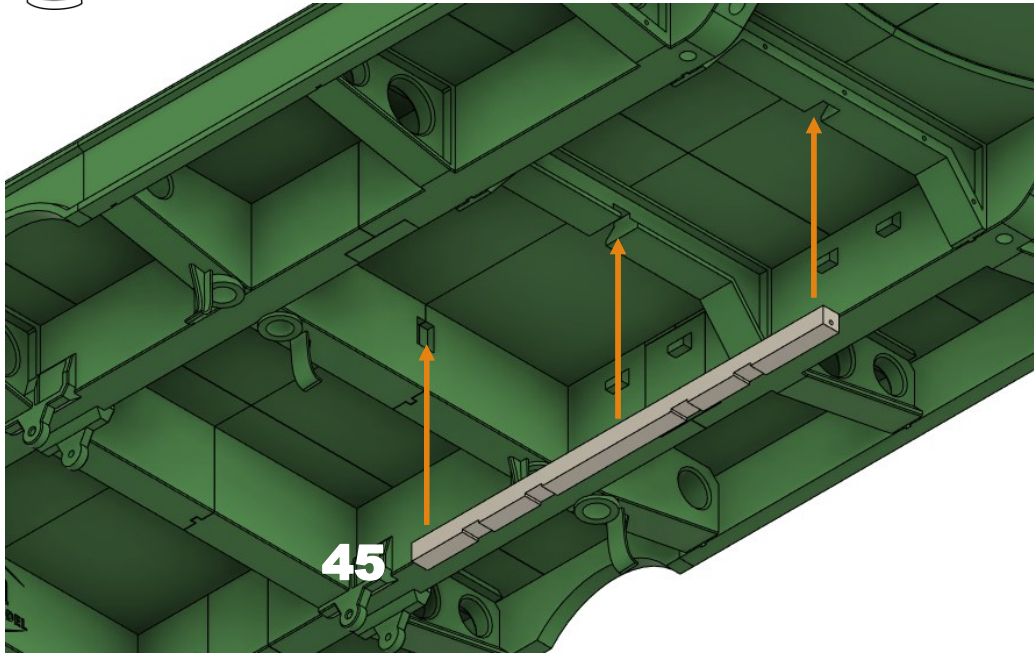
Body_2



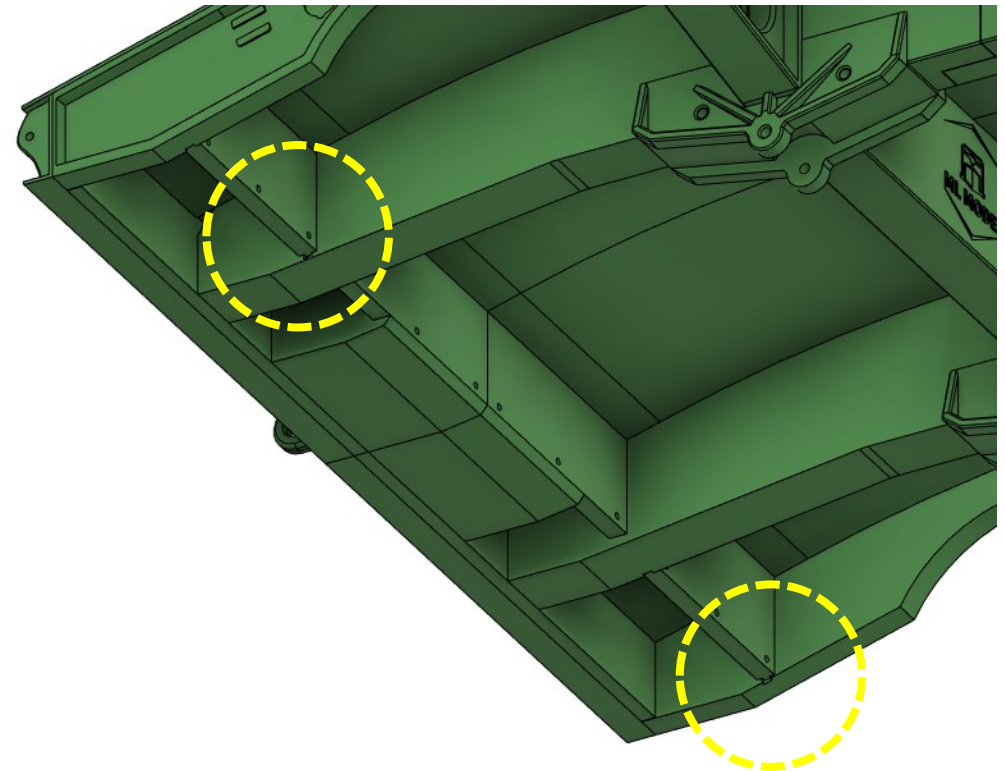
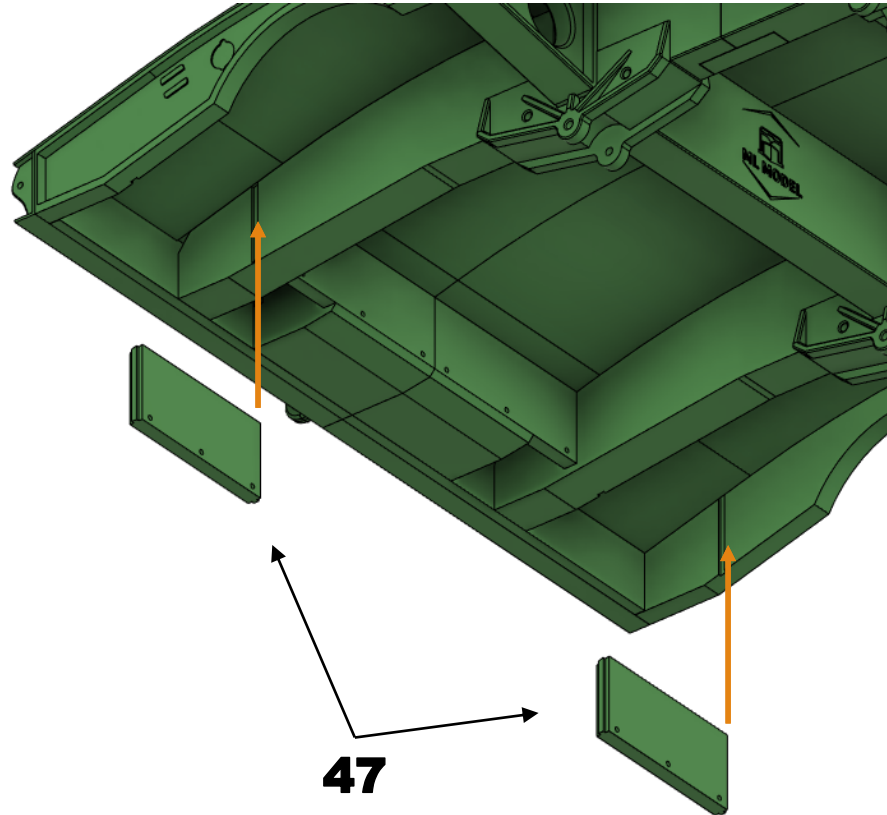
Body_2



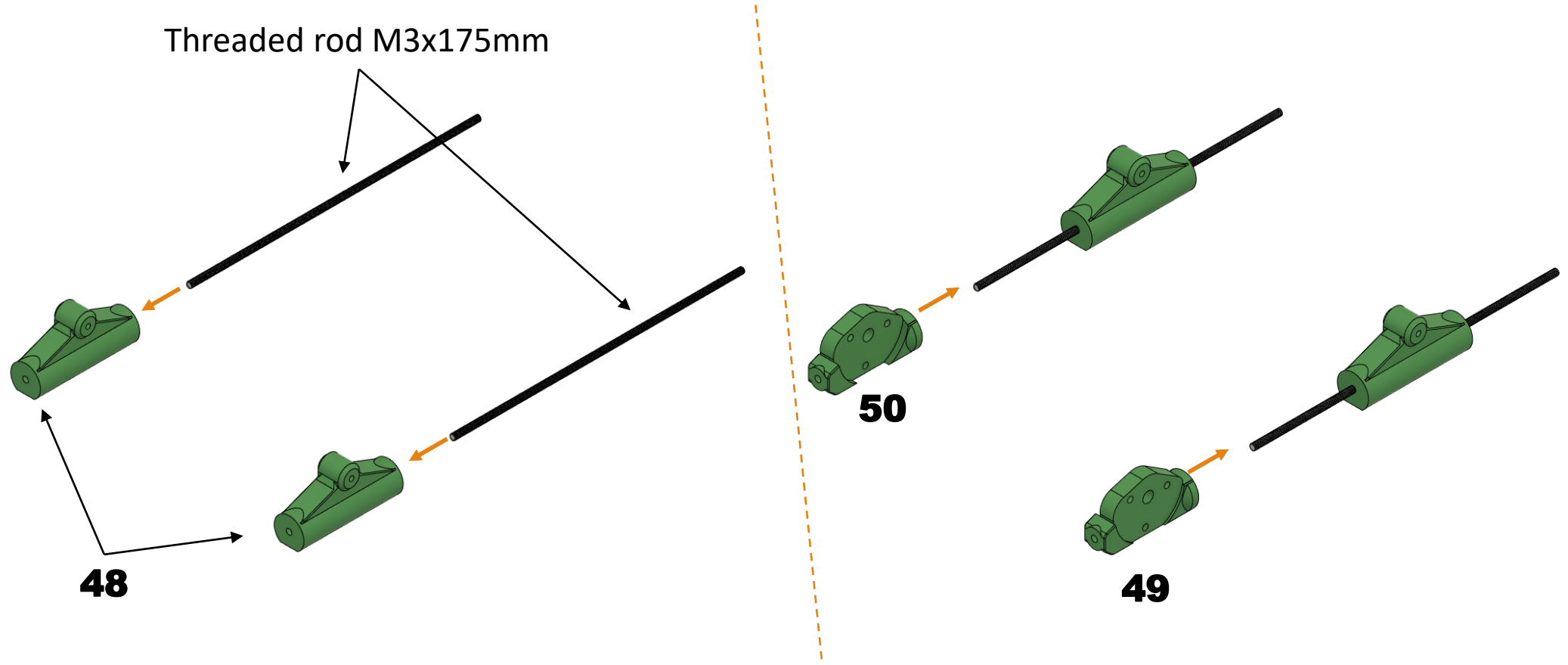
Body_2



Body_2

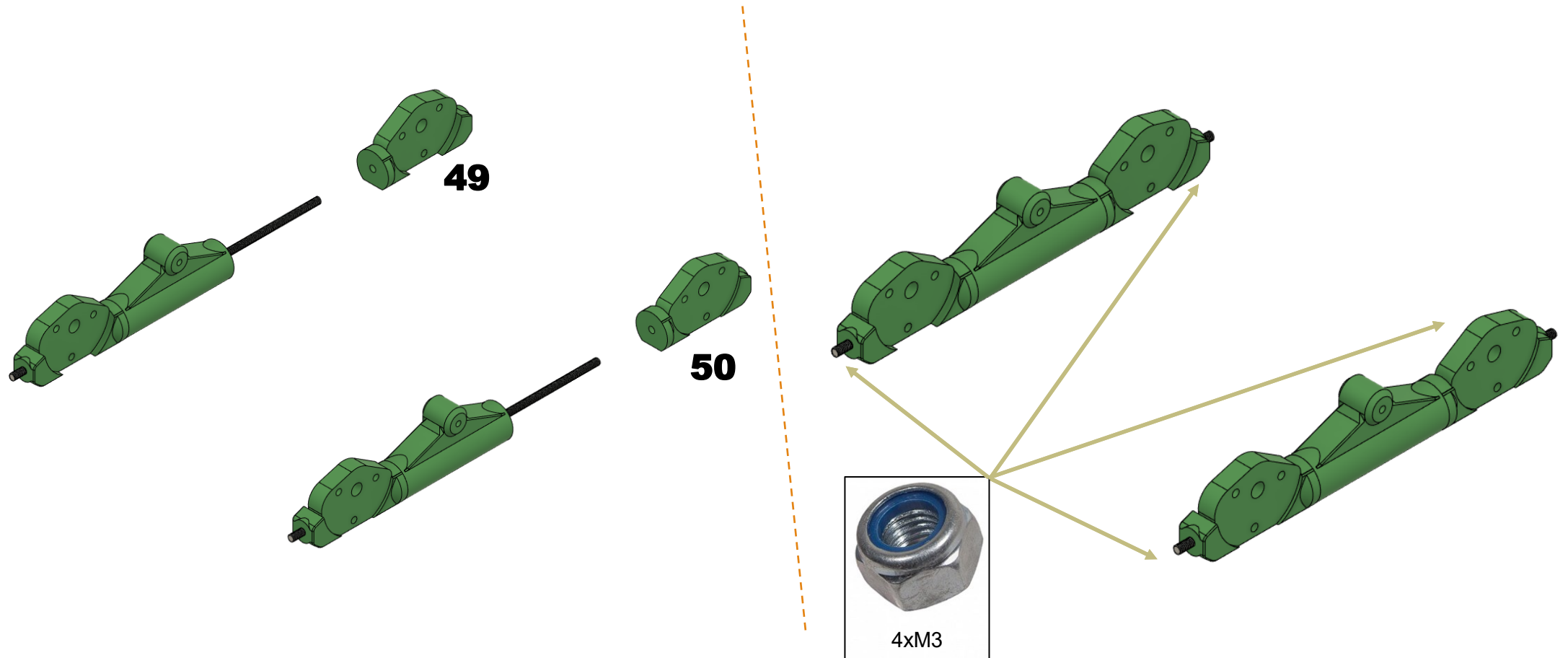


Body_2

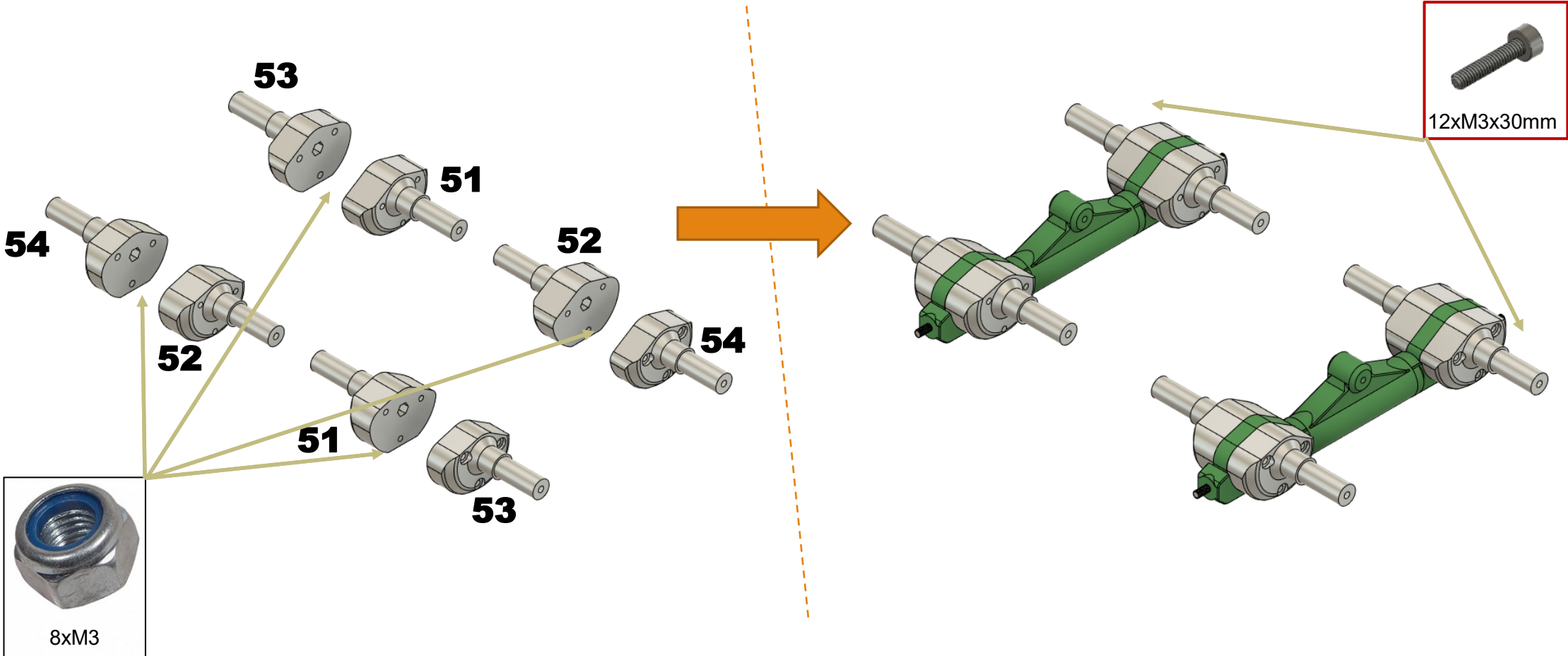


Body_2

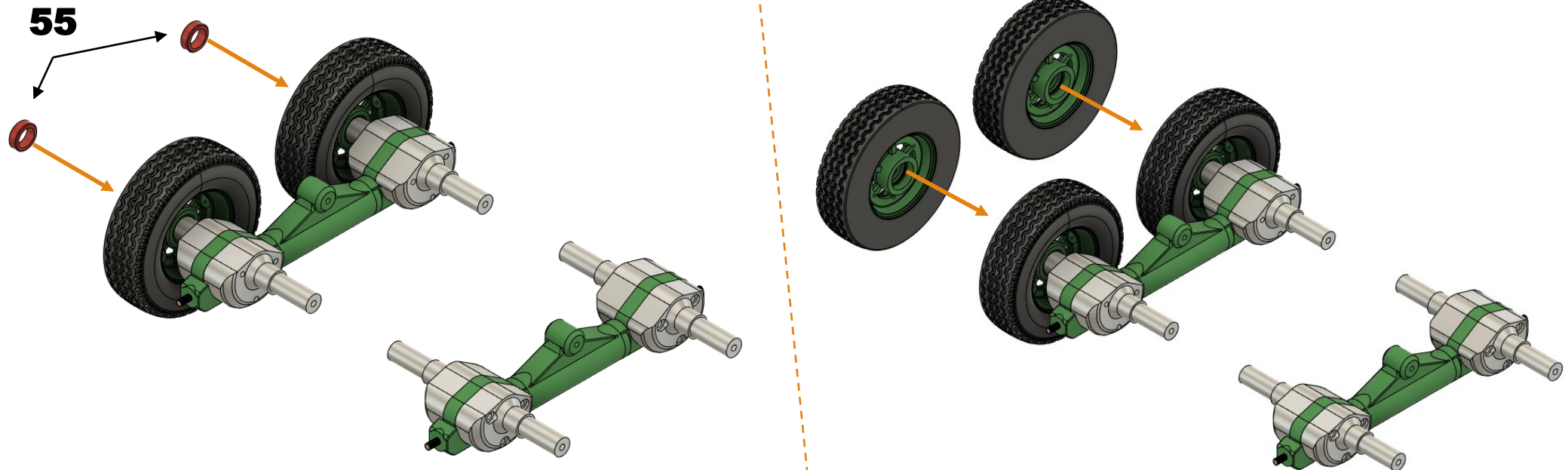
Tighten the nuts all the way and then loosen a little.
Parts 49 and 50 must rotate freely.
It is convenient to place M3 washers under the nuts



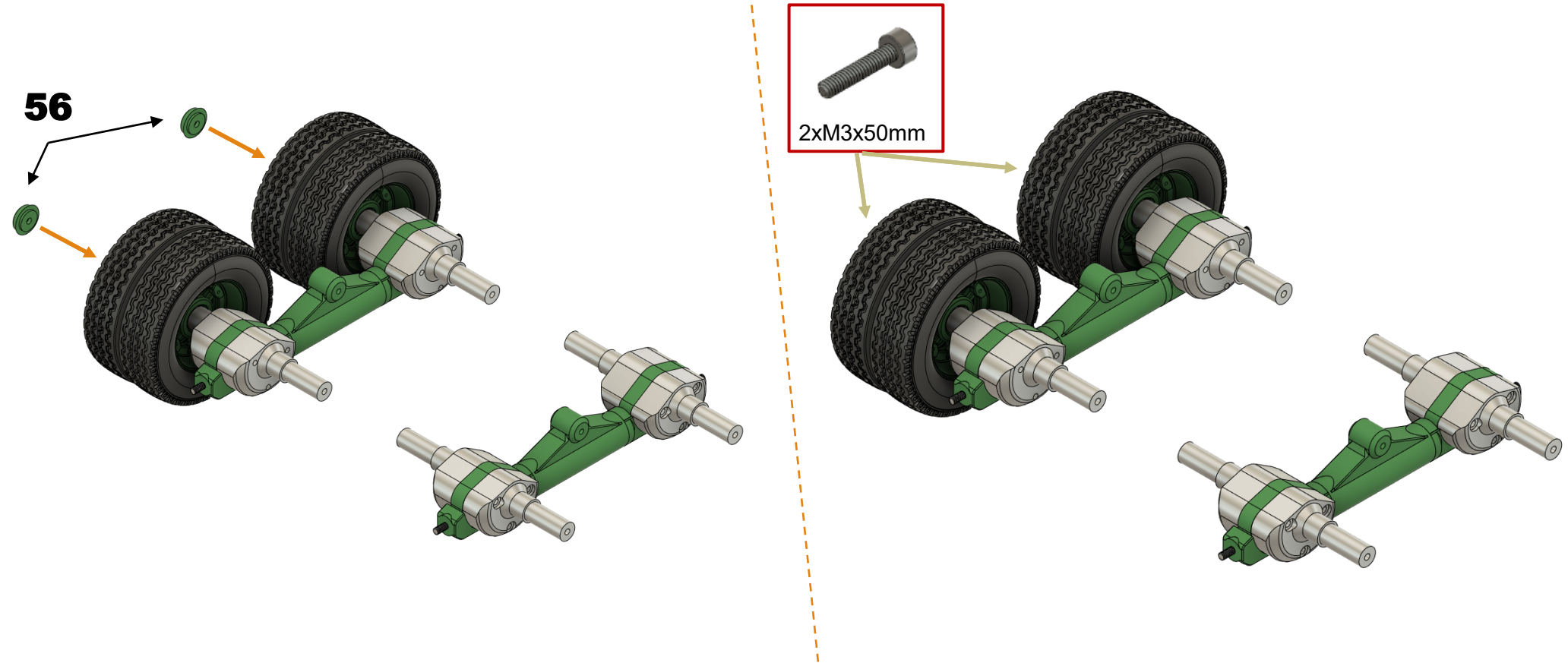
Body_2



Body_2

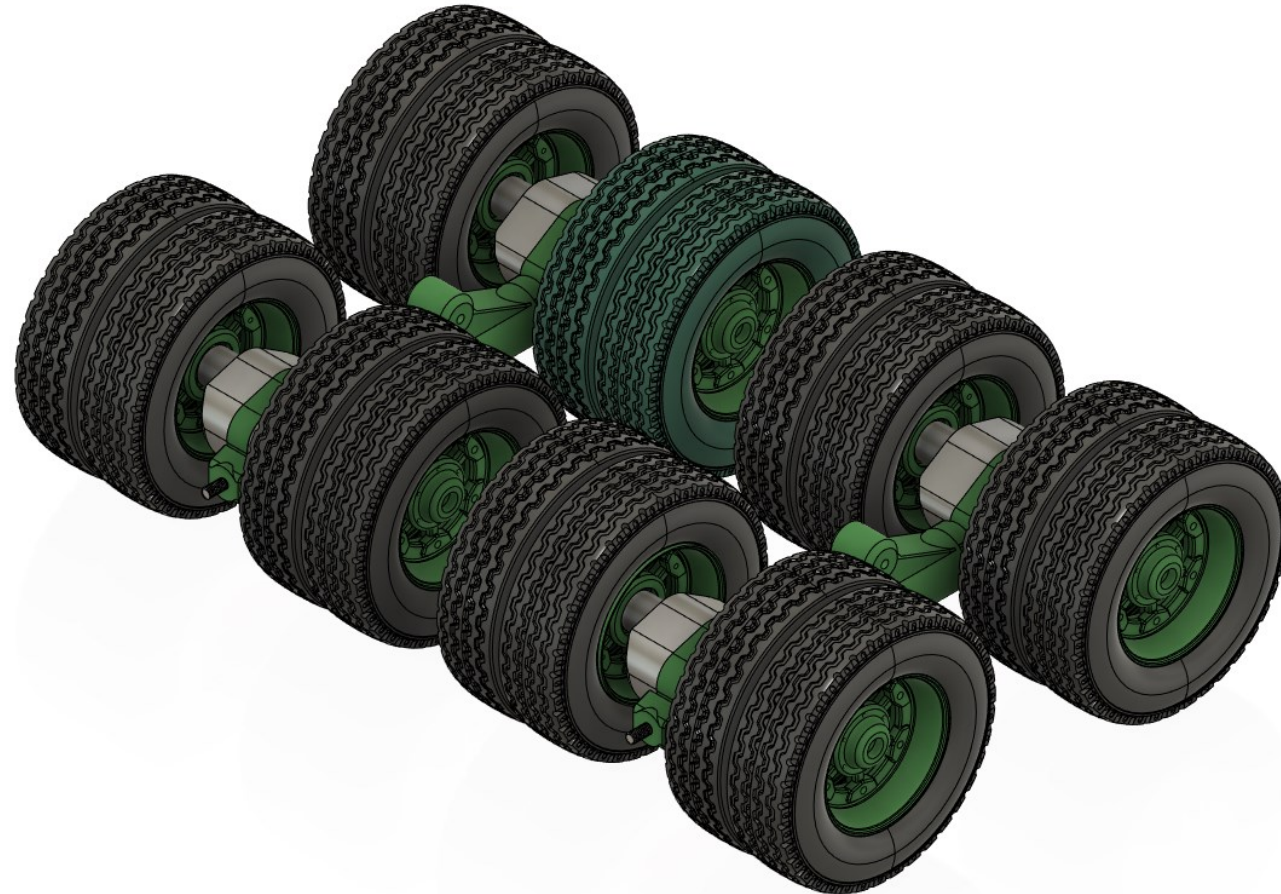


Body_2

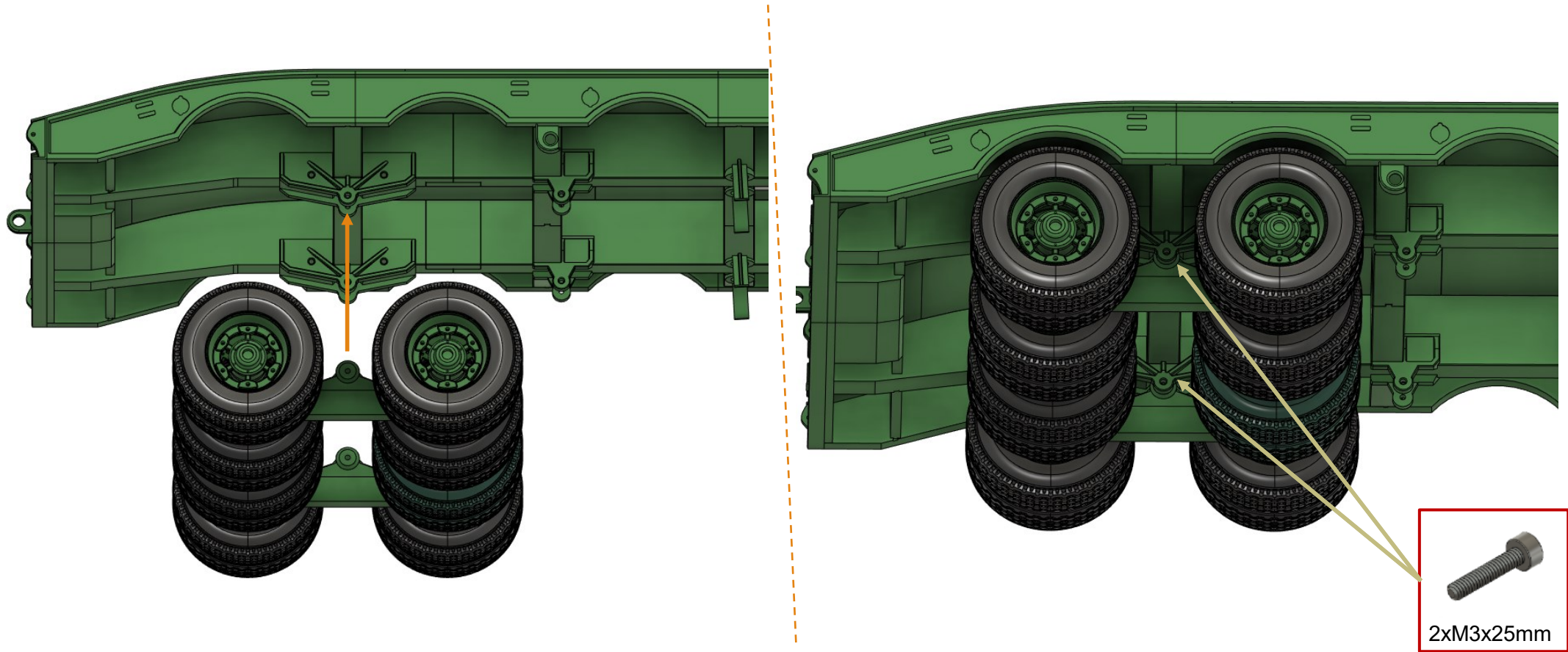


Body_2

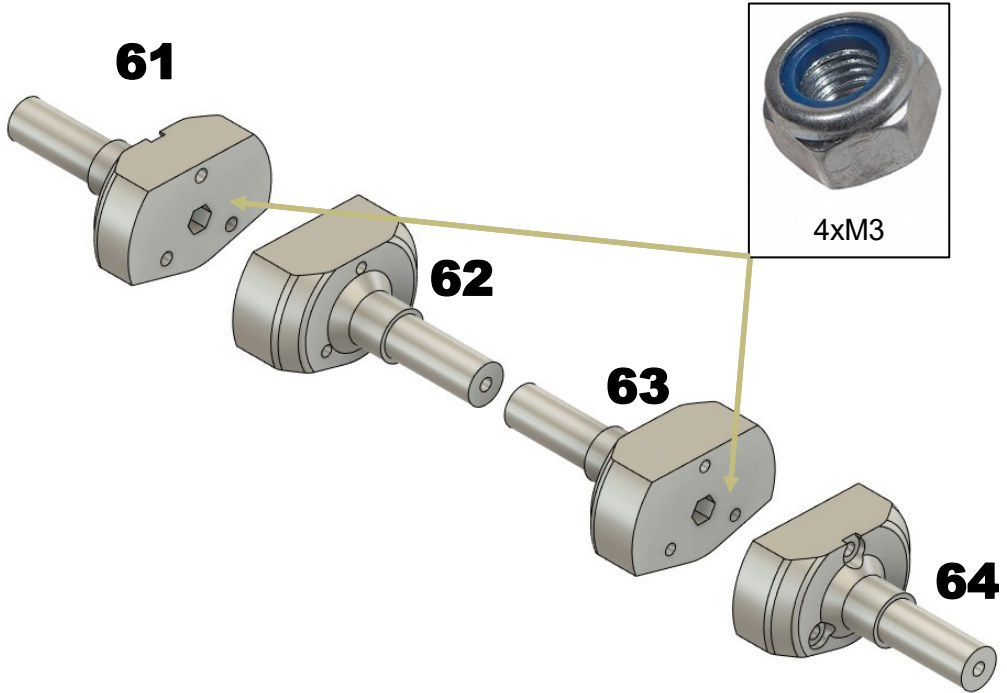
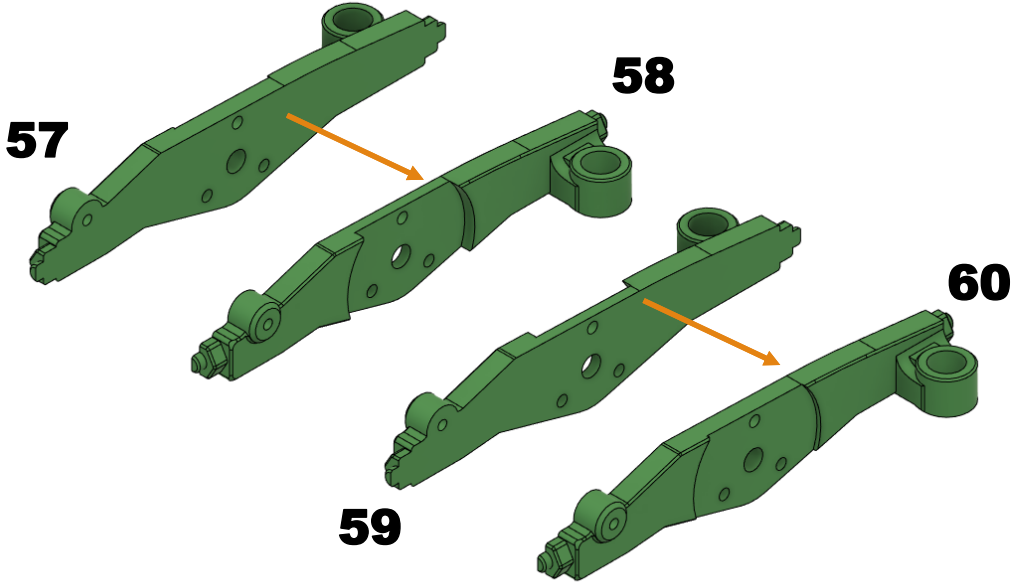
Put on the remaining wheels in the same way



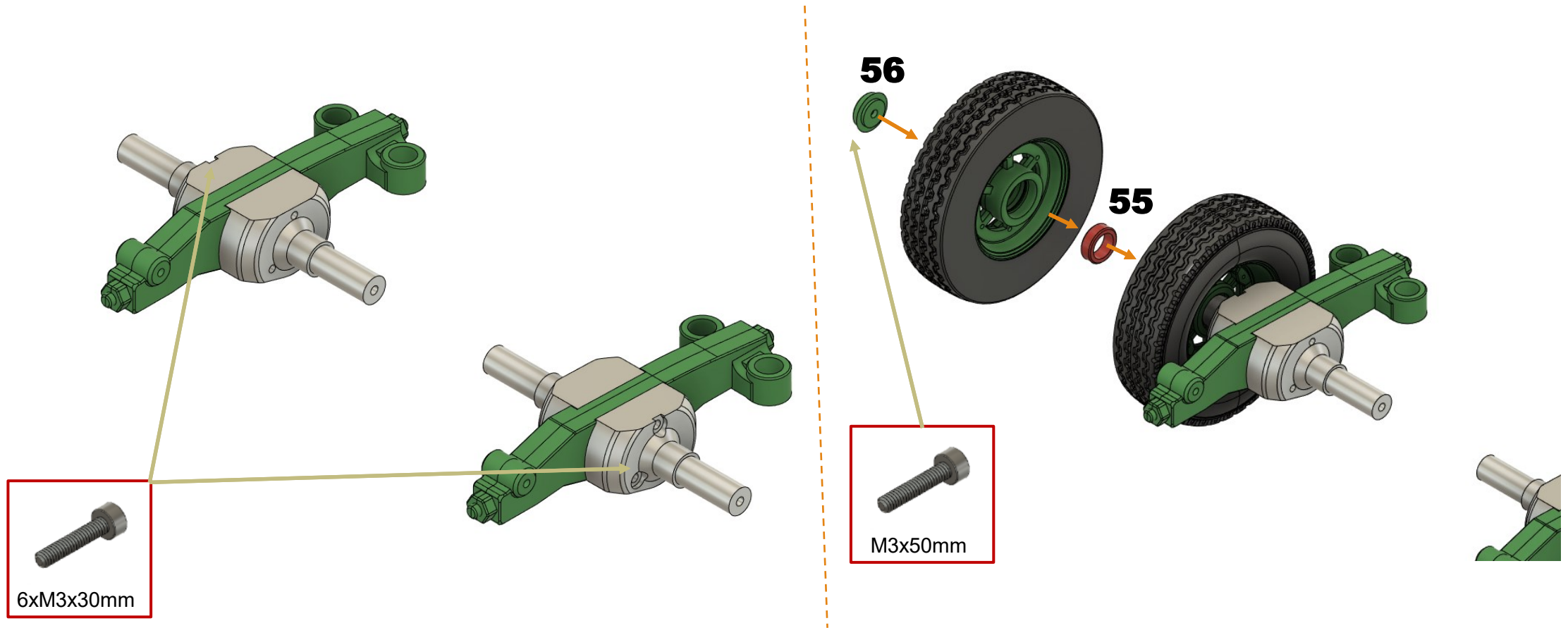
Body_2



Body_2

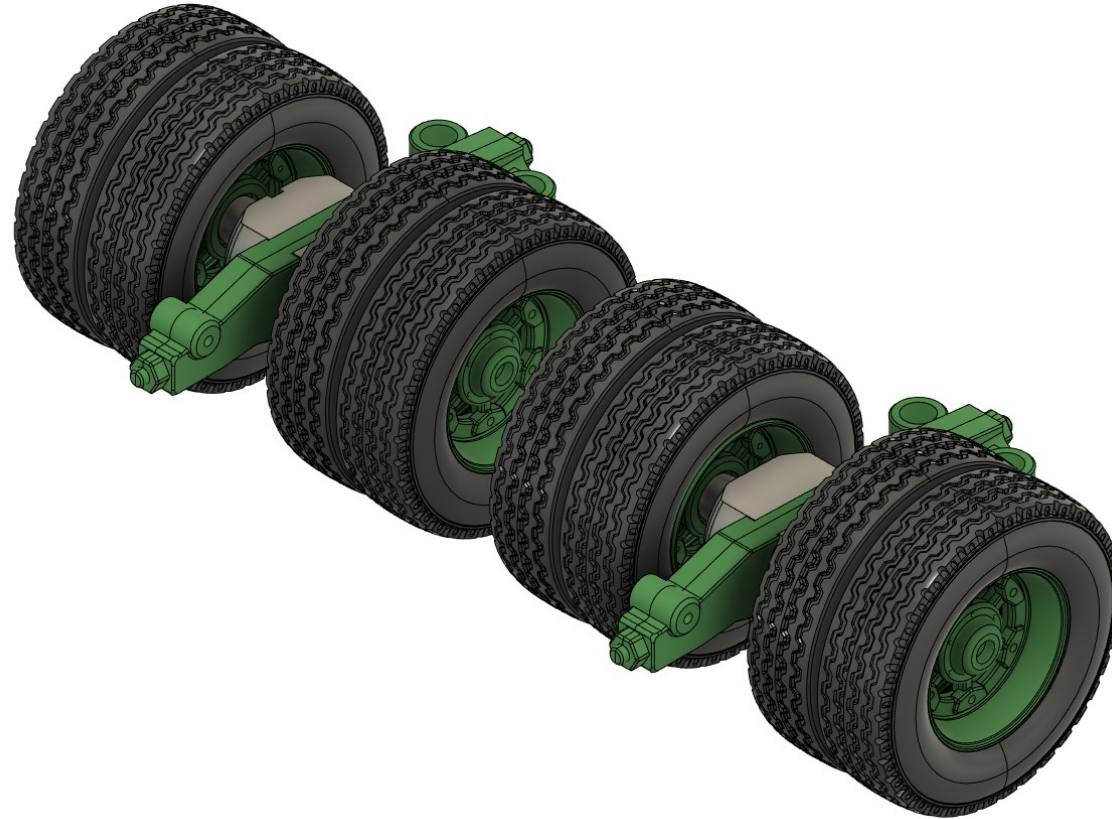


Body_2

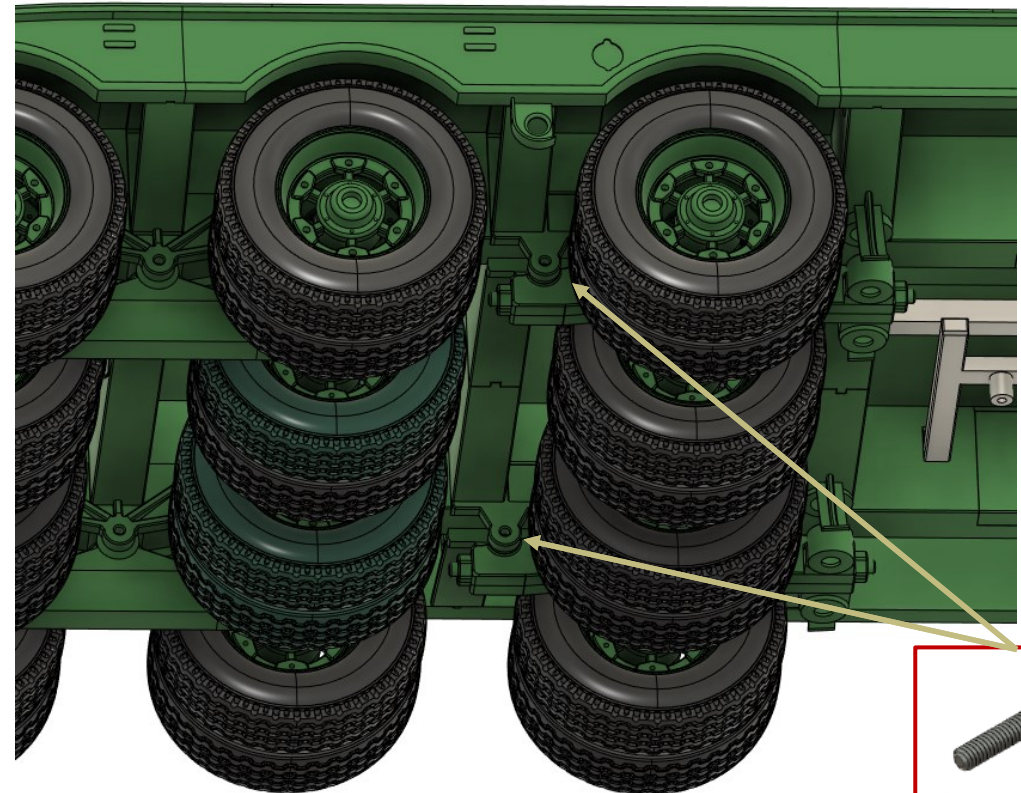
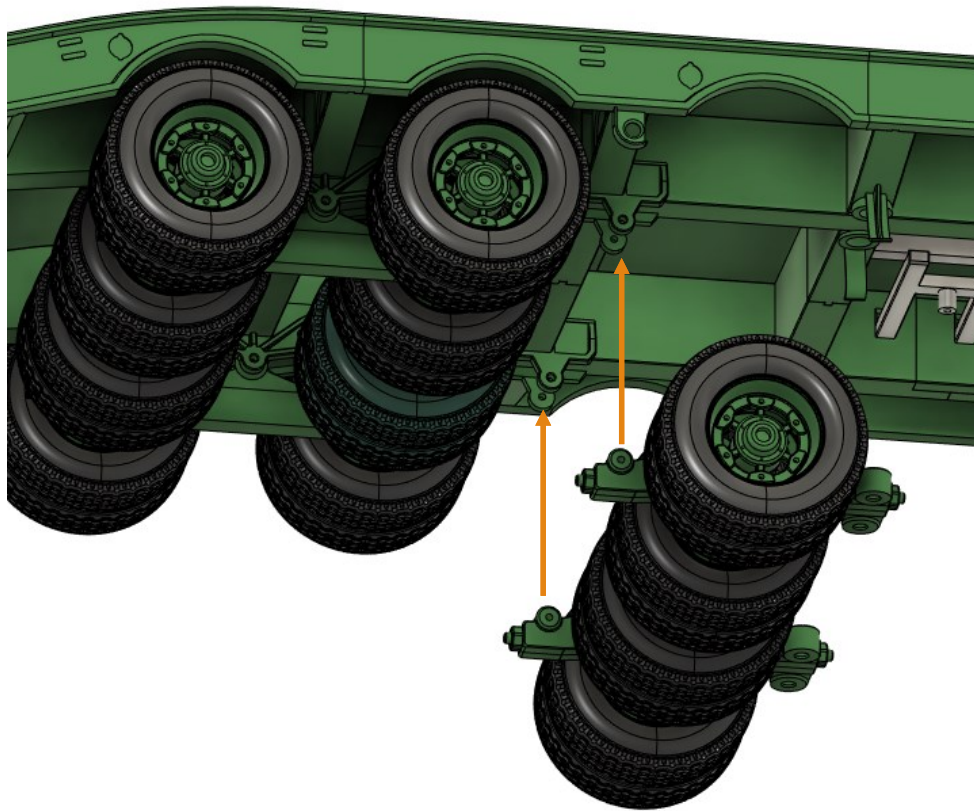


Body_2

Put on the remaining wheels in the same way

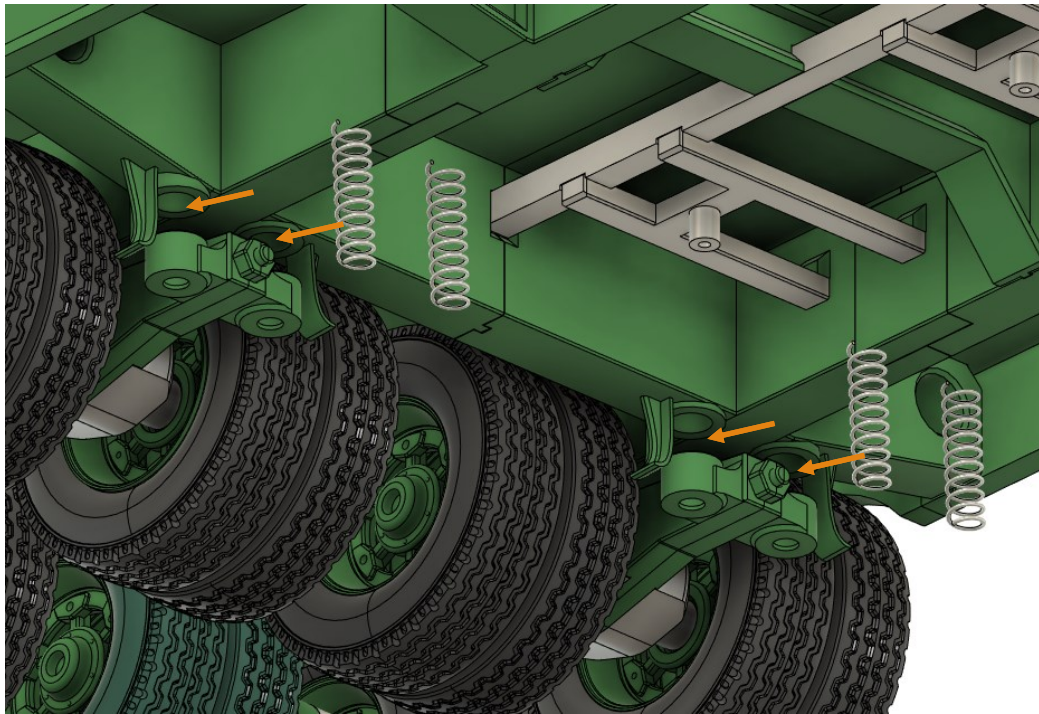


Body_2

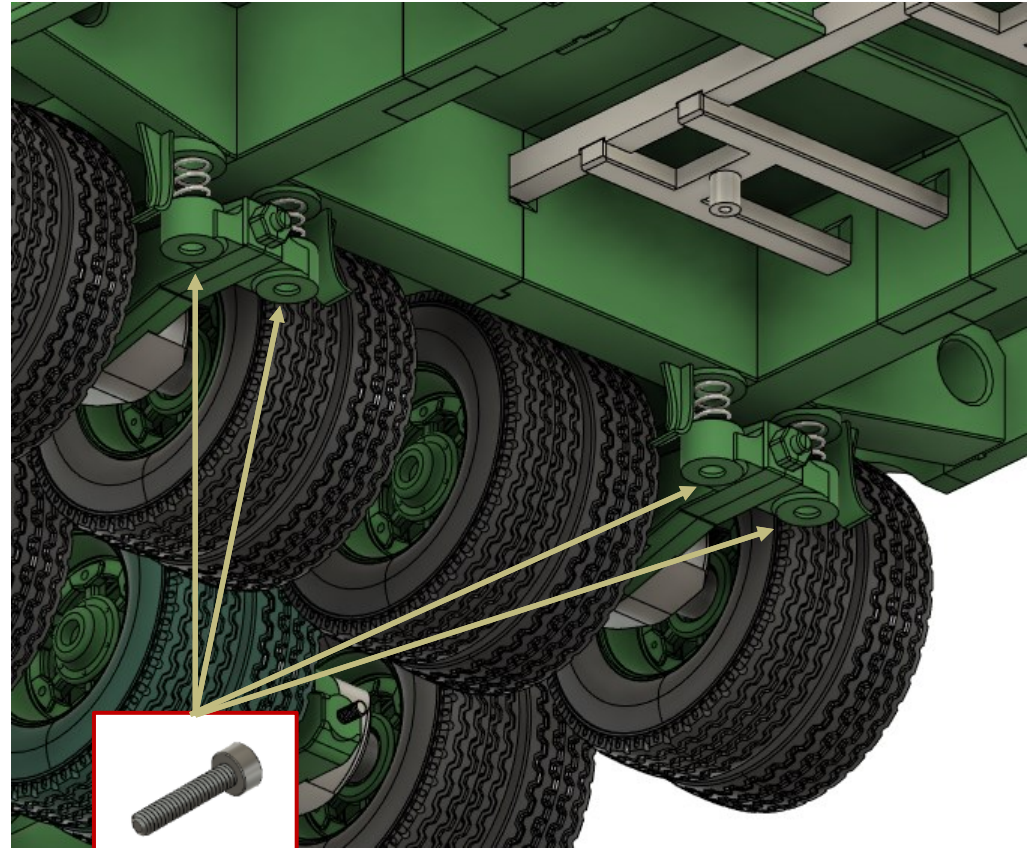


Body_2

Attach the M3 washers to the screws.
Screw all screws evenly.
The screws indicate the ground clearance of the trailer.

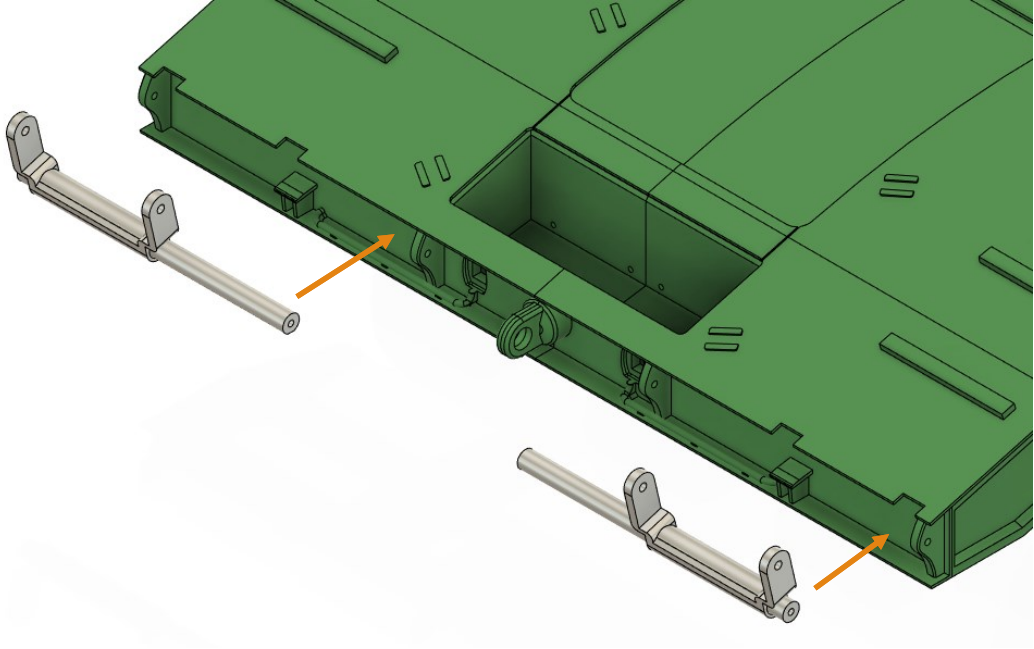
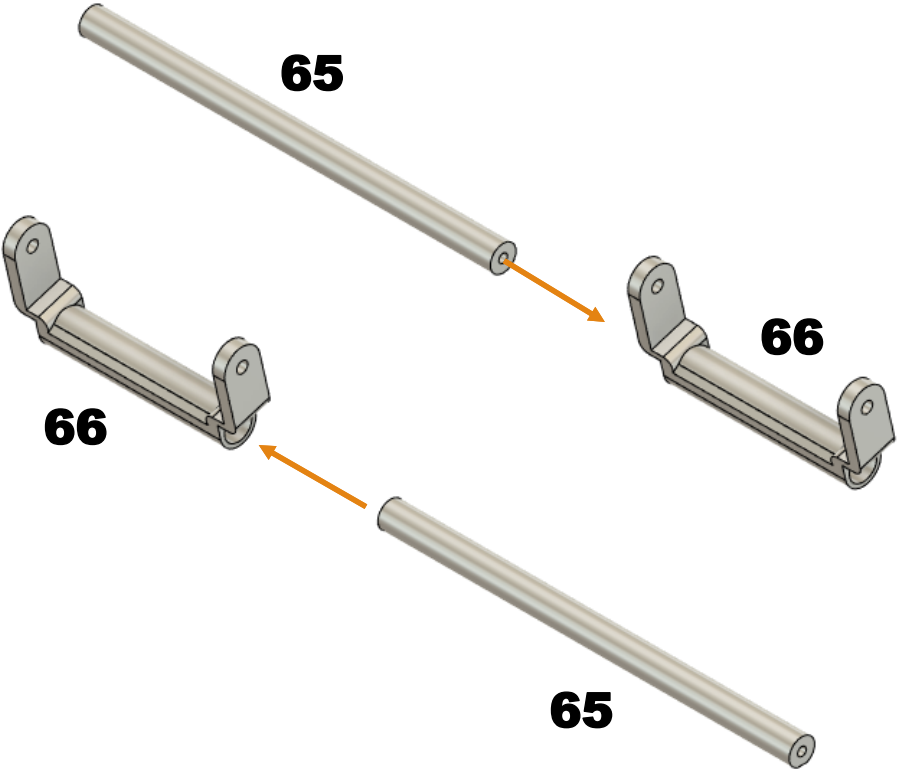


Compressive spring
4x 9x45mm

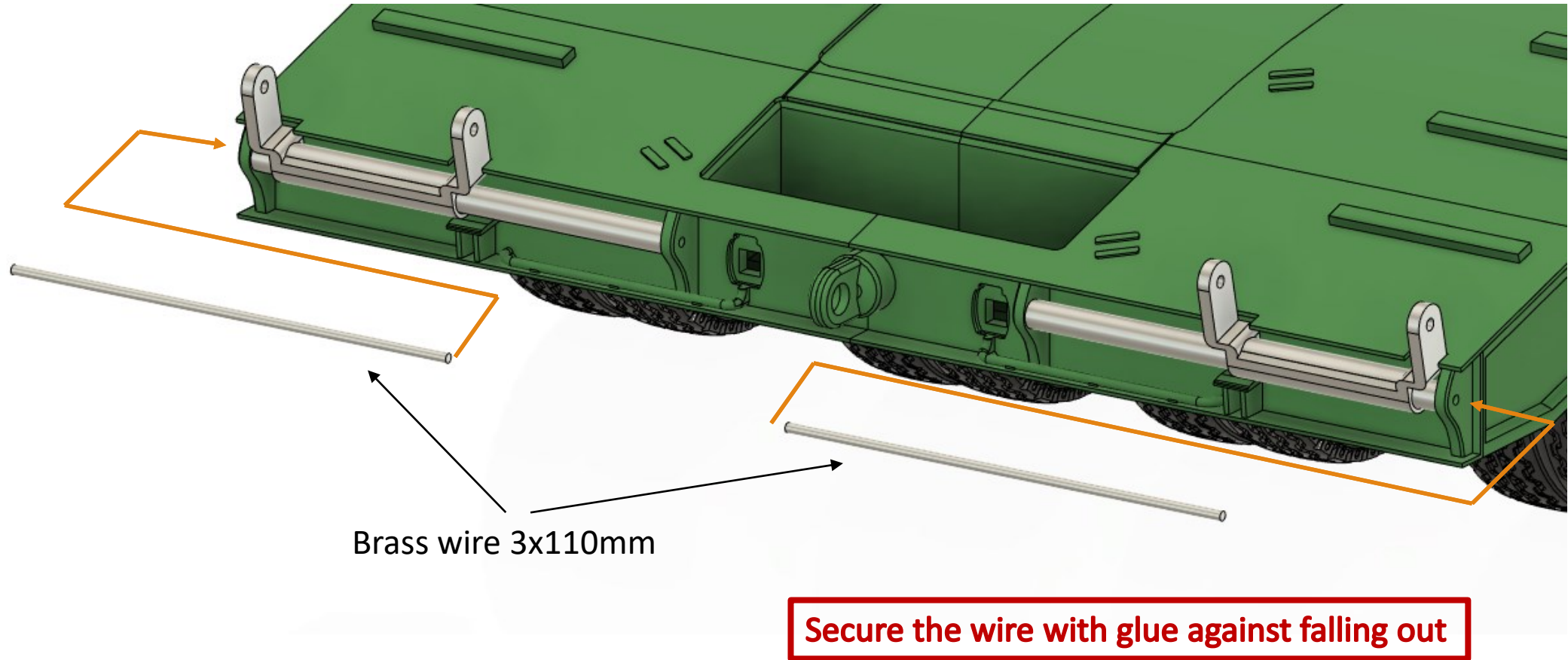


4xM3x50mm

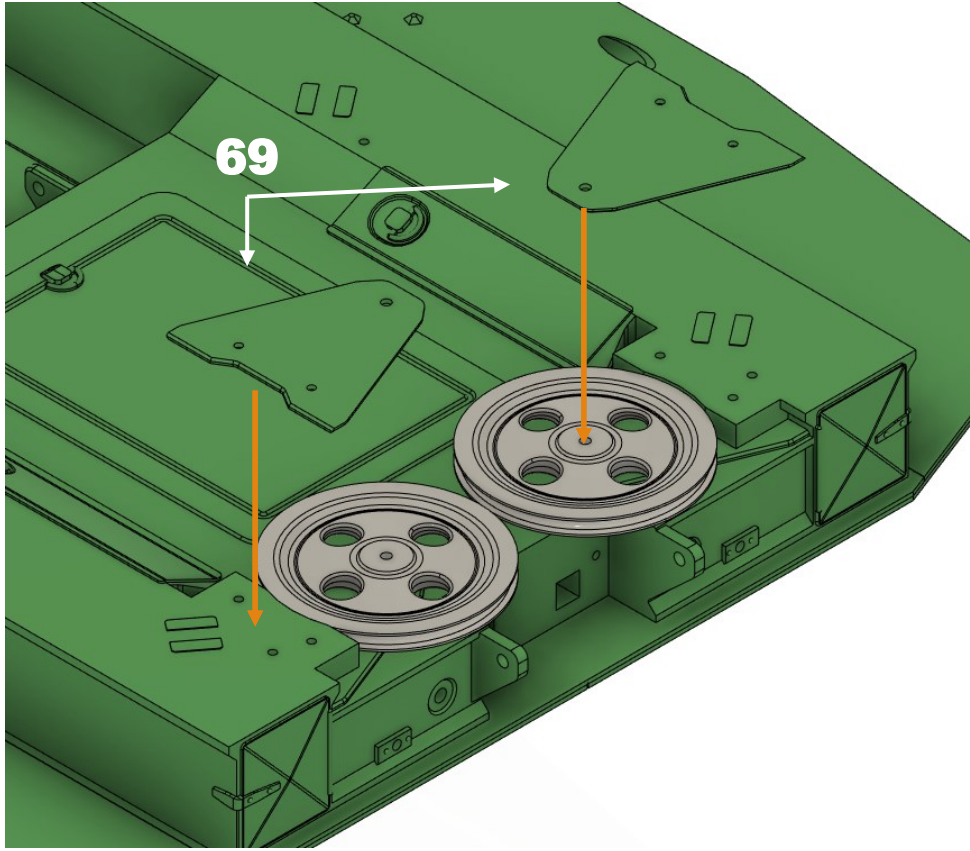
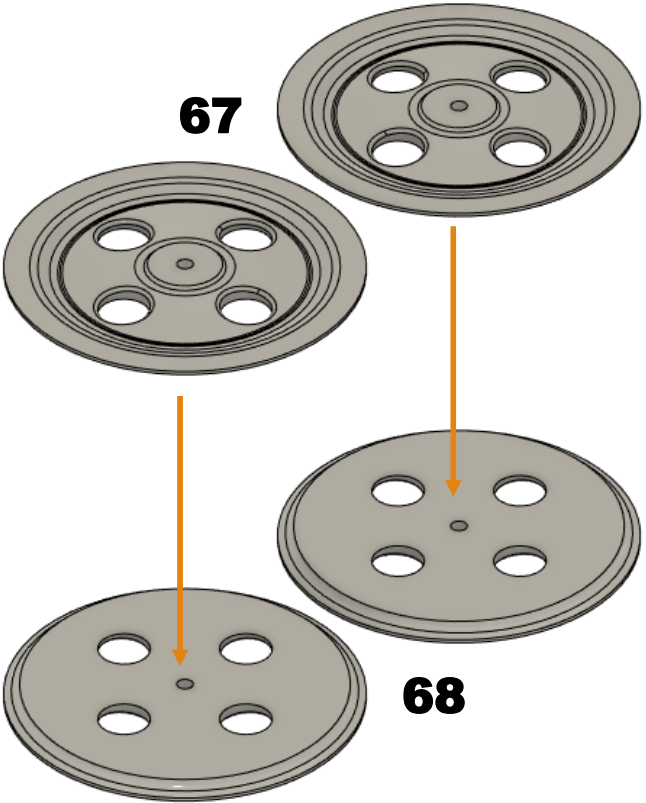
Body_2



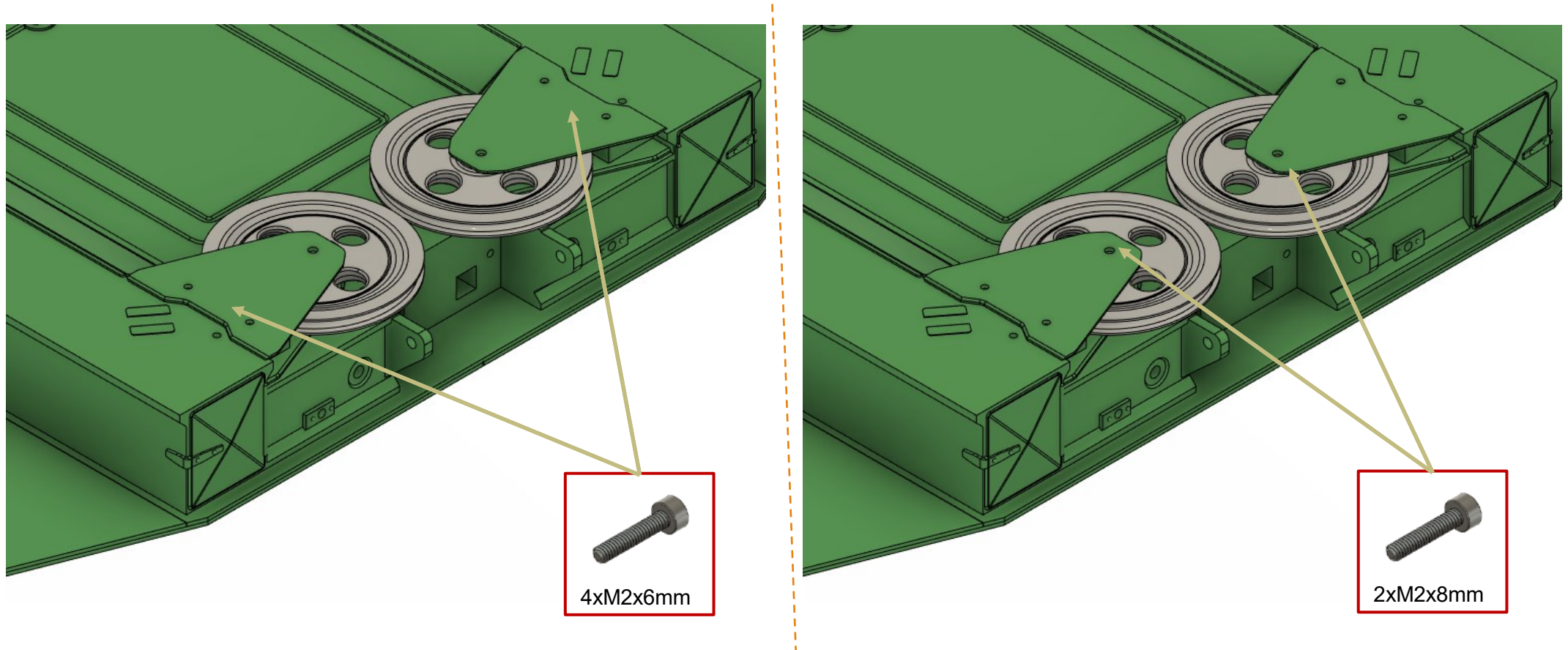
Body_2



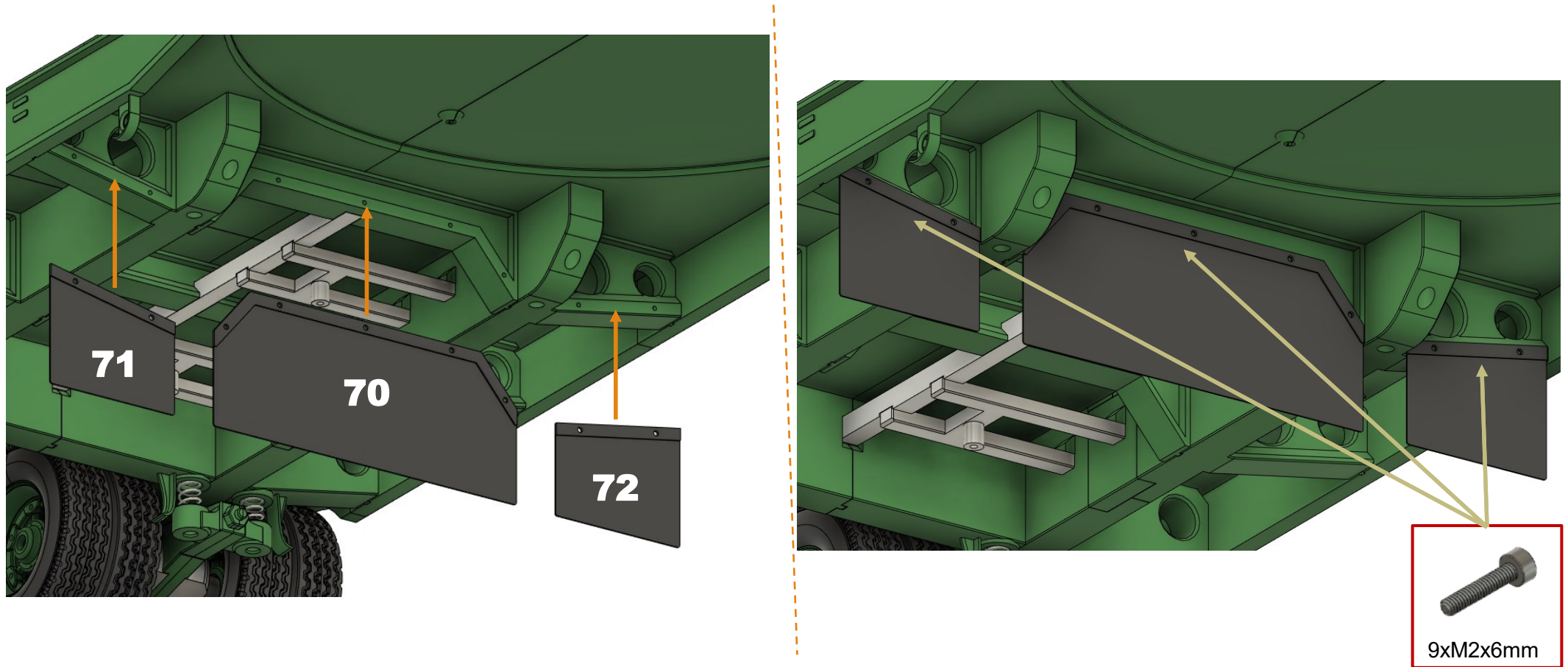
Body_2



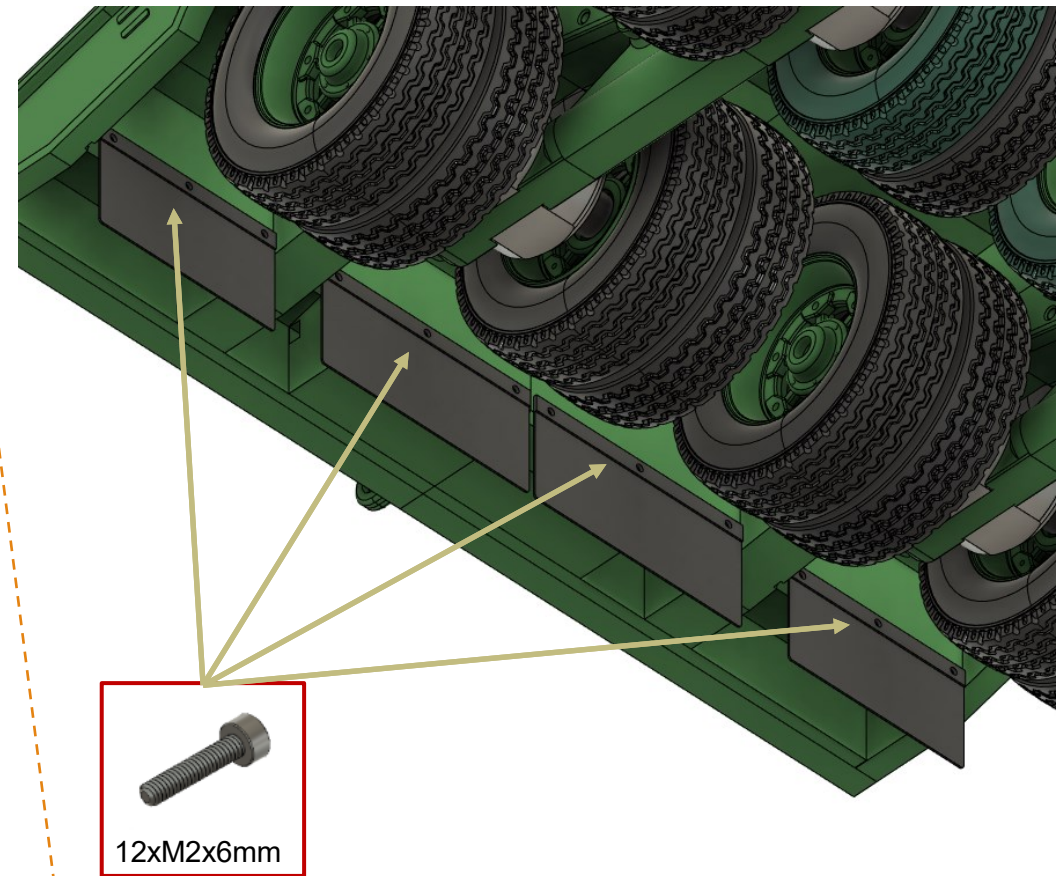
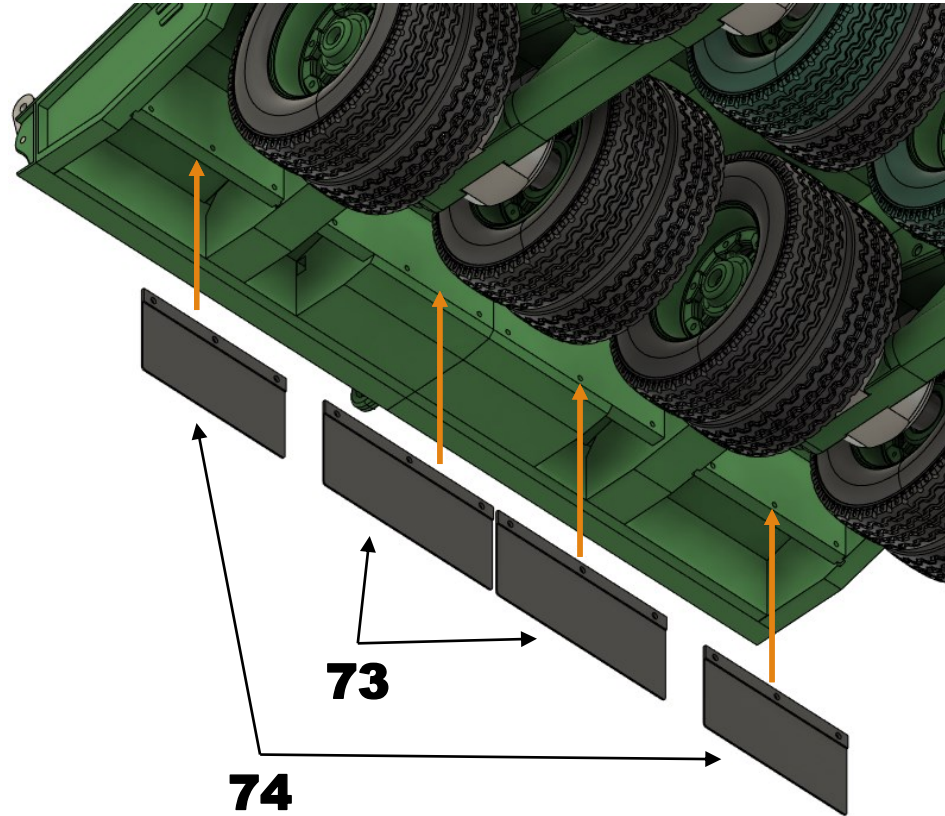
Body_2



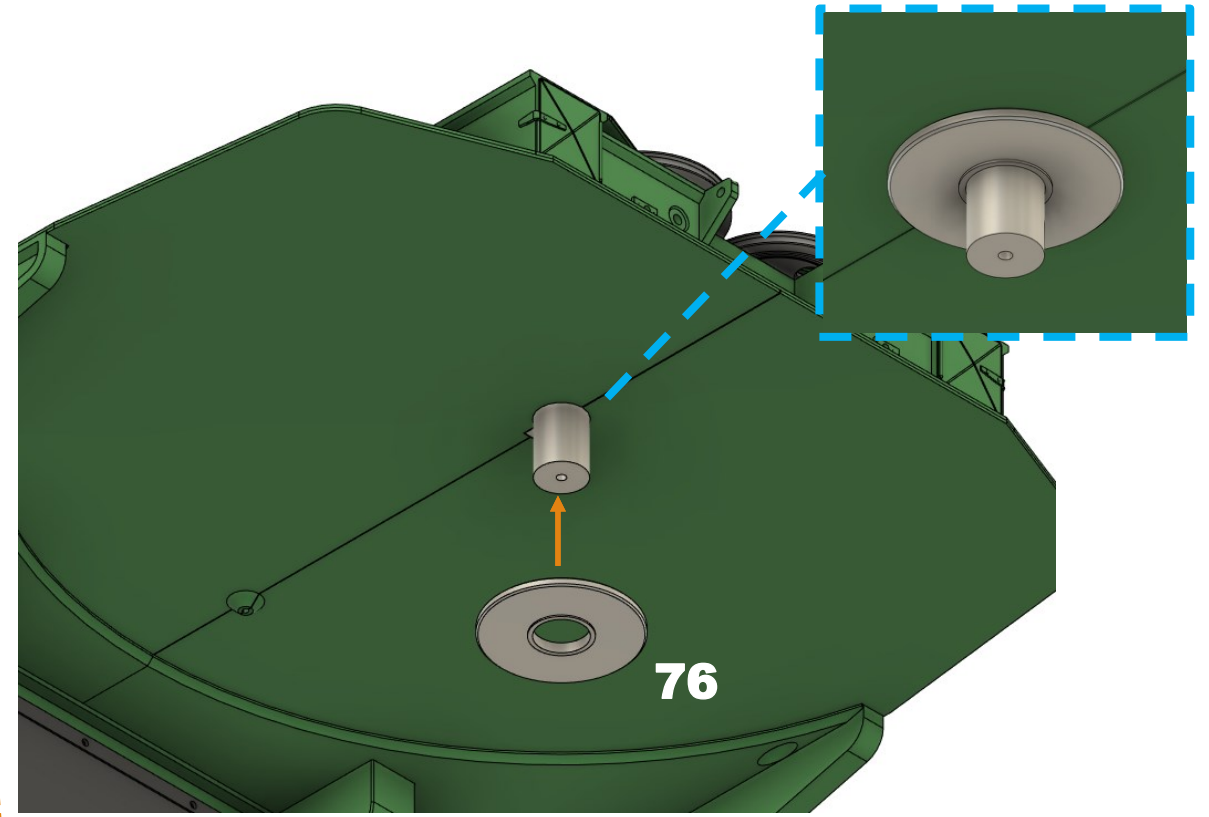
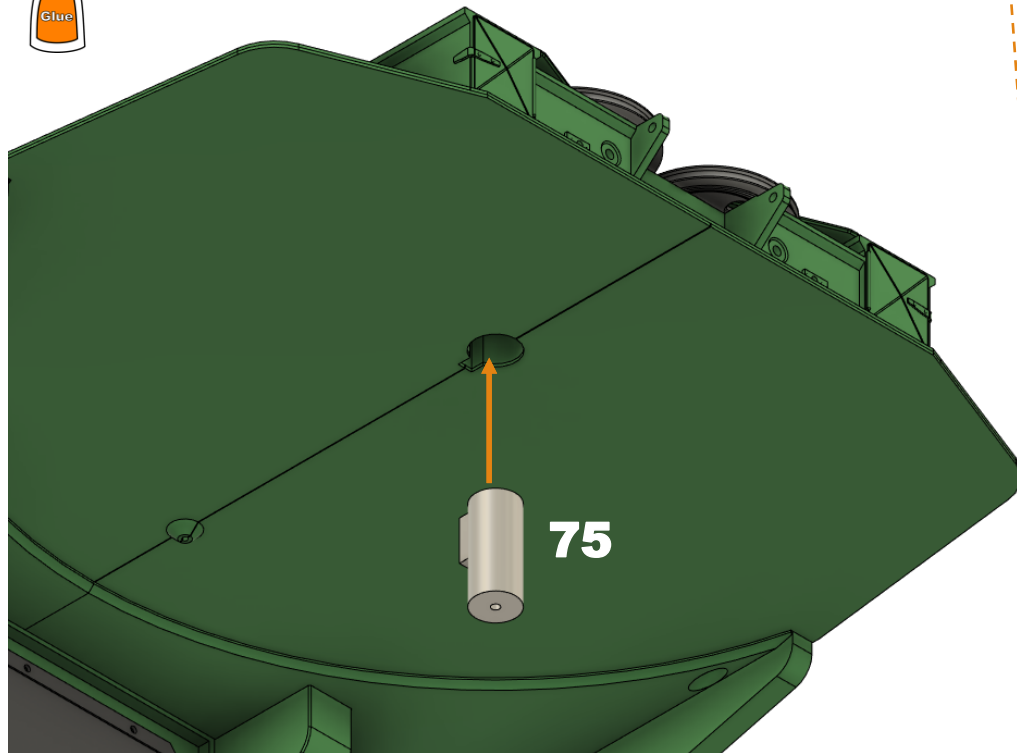
Body_2



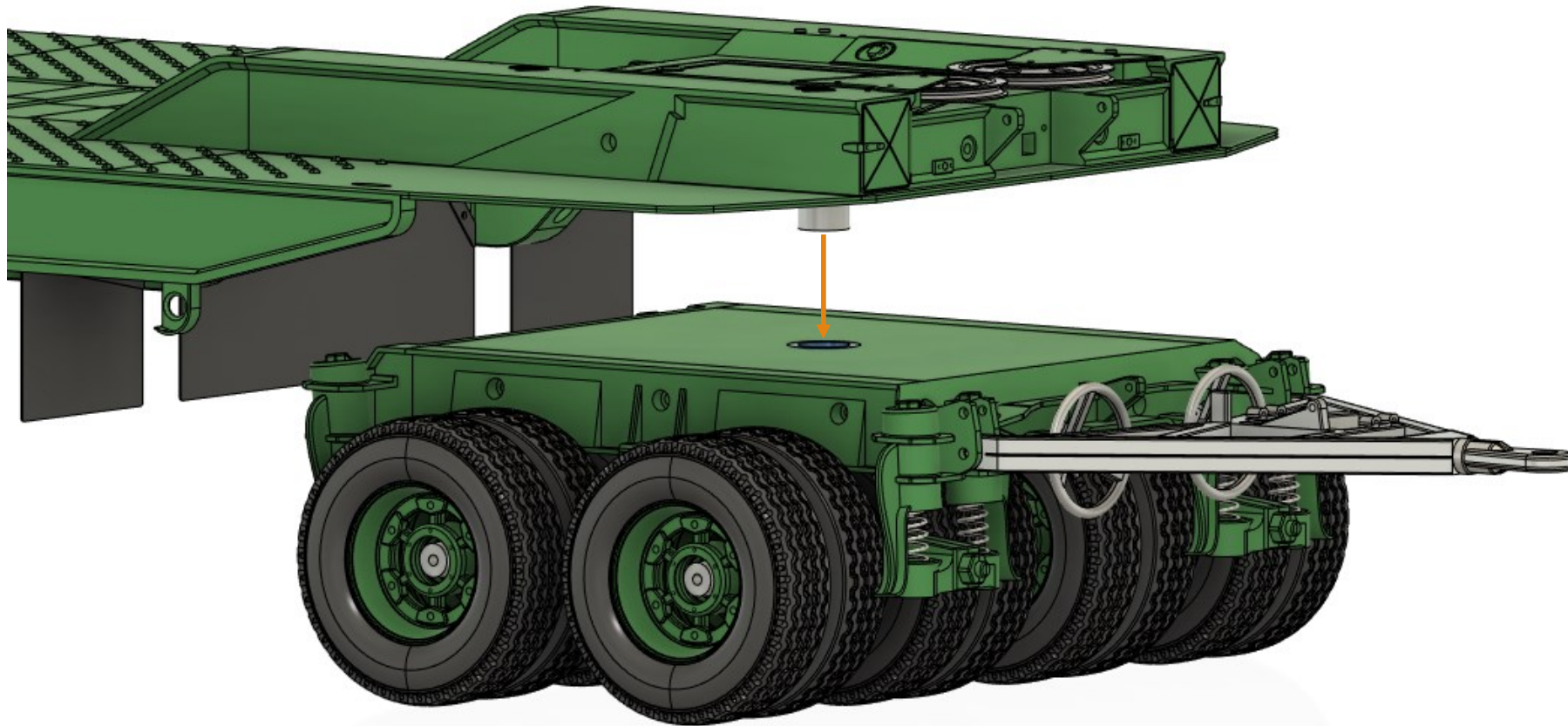
Body_2



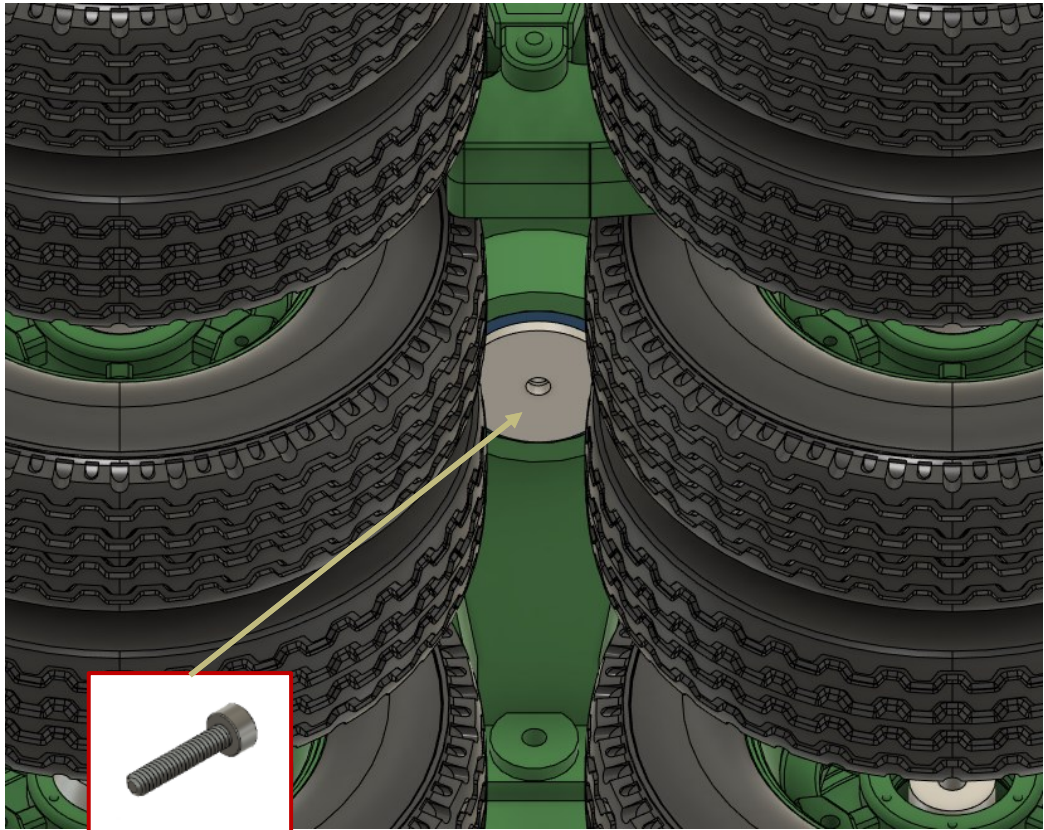
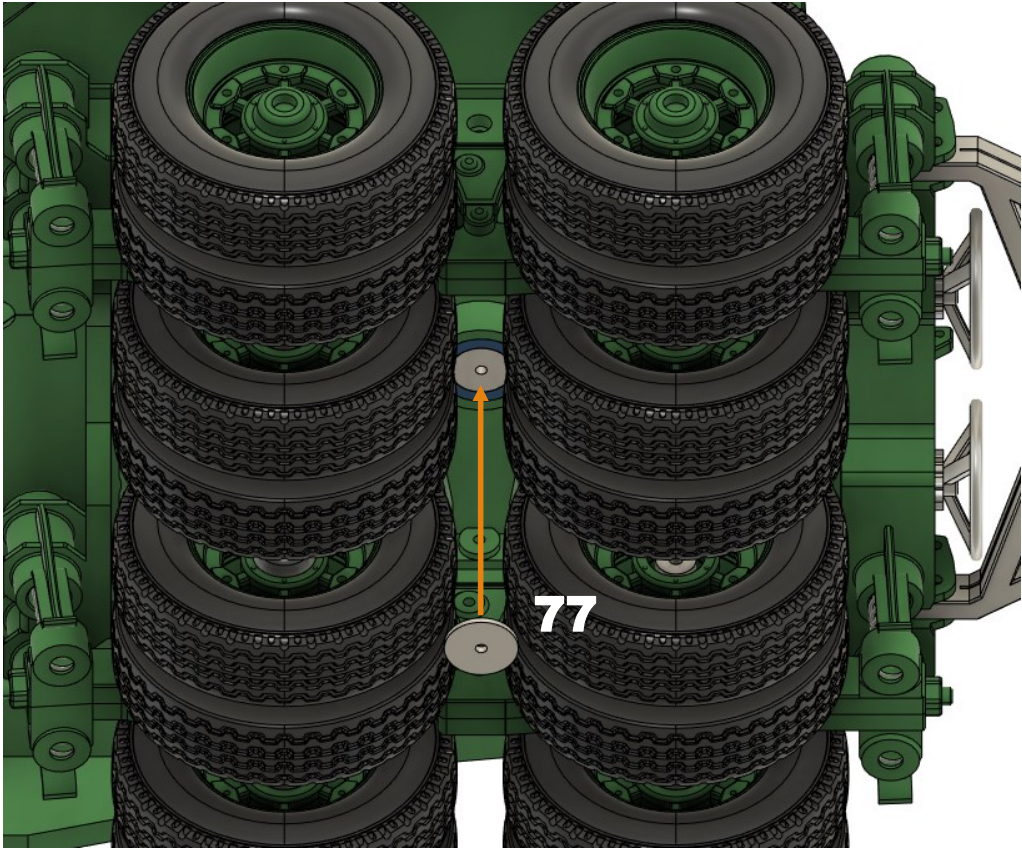
Body_2



Body_2

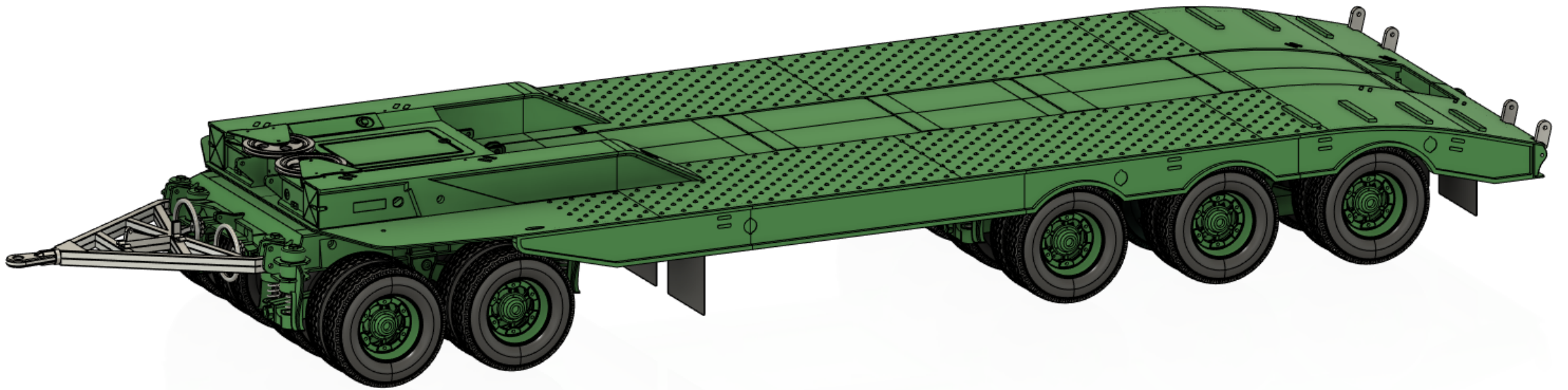


Body_2

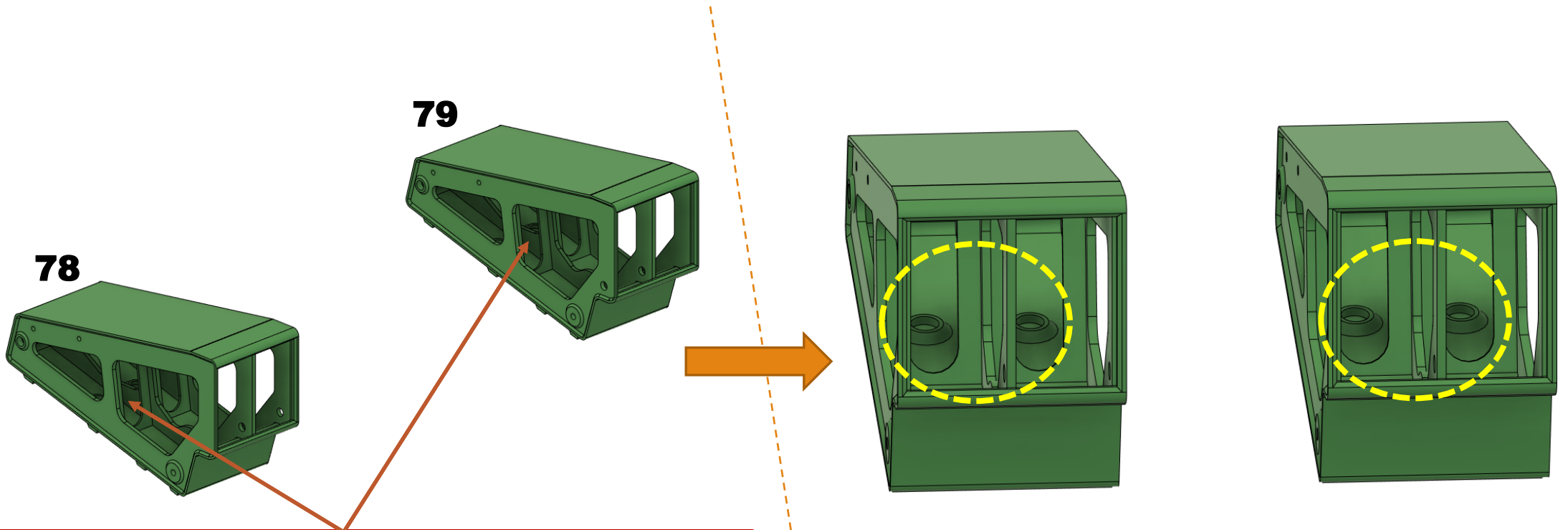


M3x10mm

Body_2

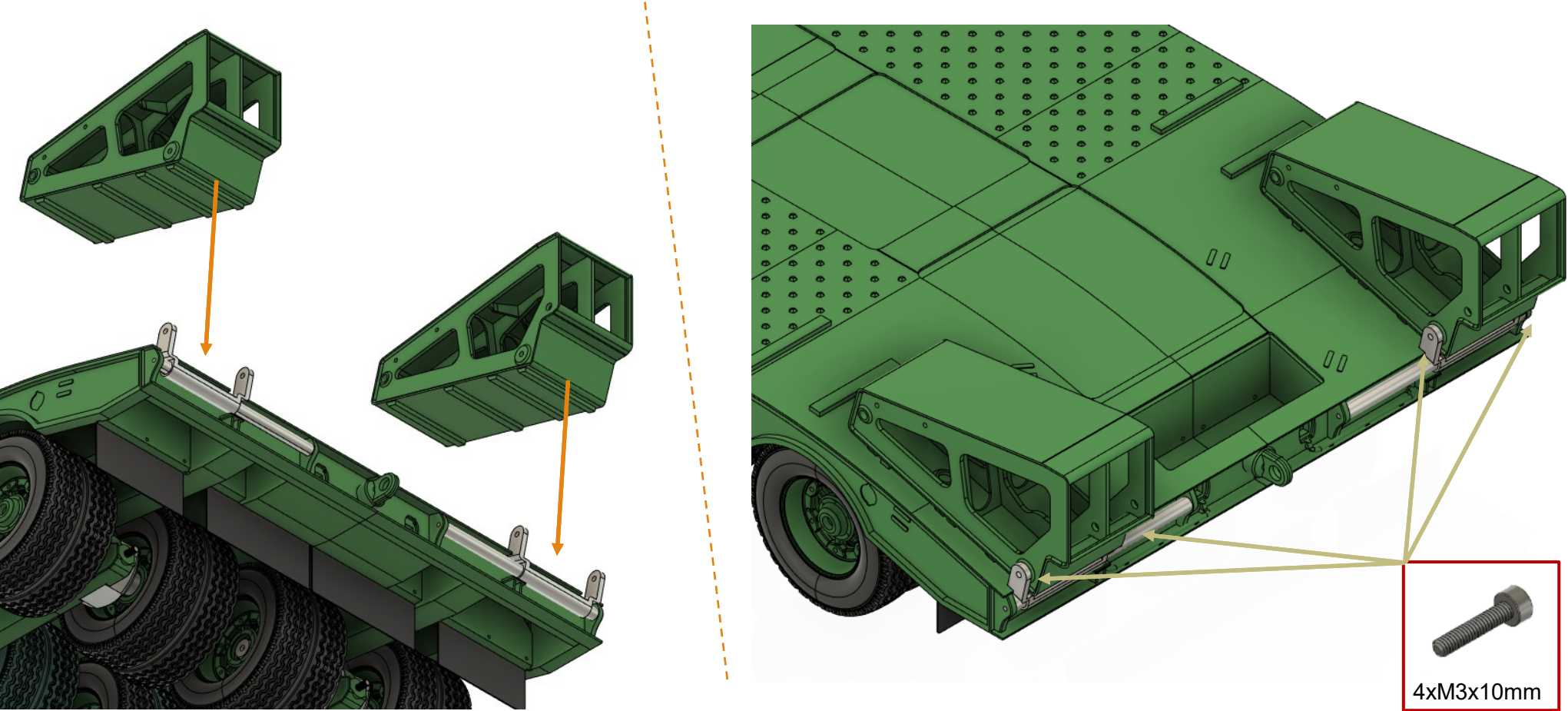


Body_2



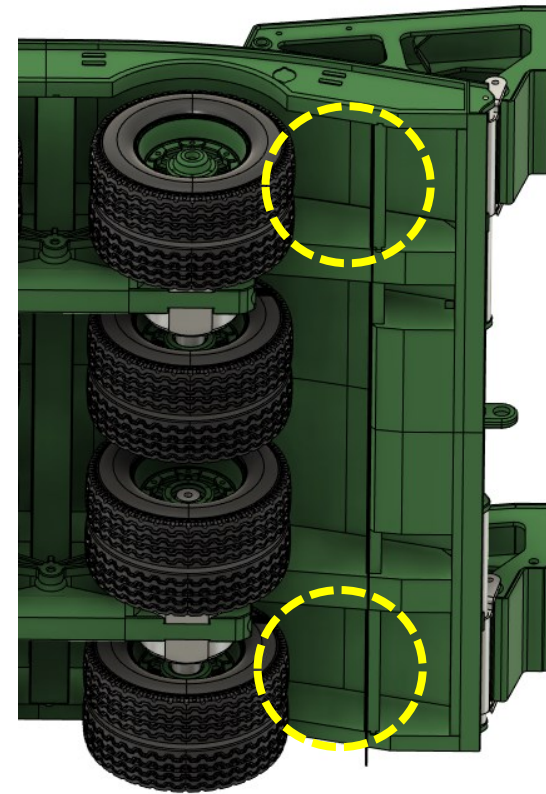
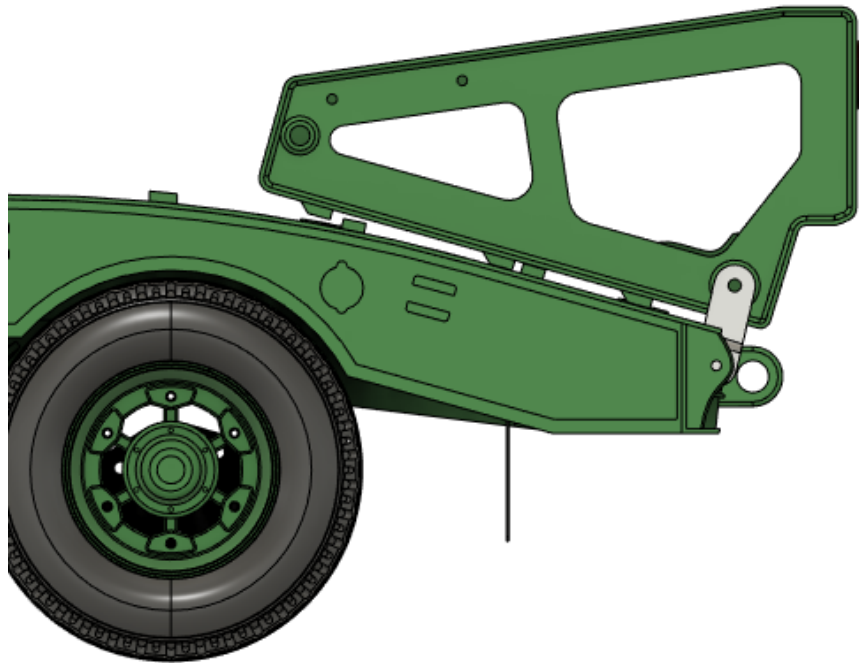
**Insert 4x Neodymium magnets 6x2mm.
Glue the magnets.
Before gluing, roughen the glued surface of the magnet.**

Body_2



Body_2

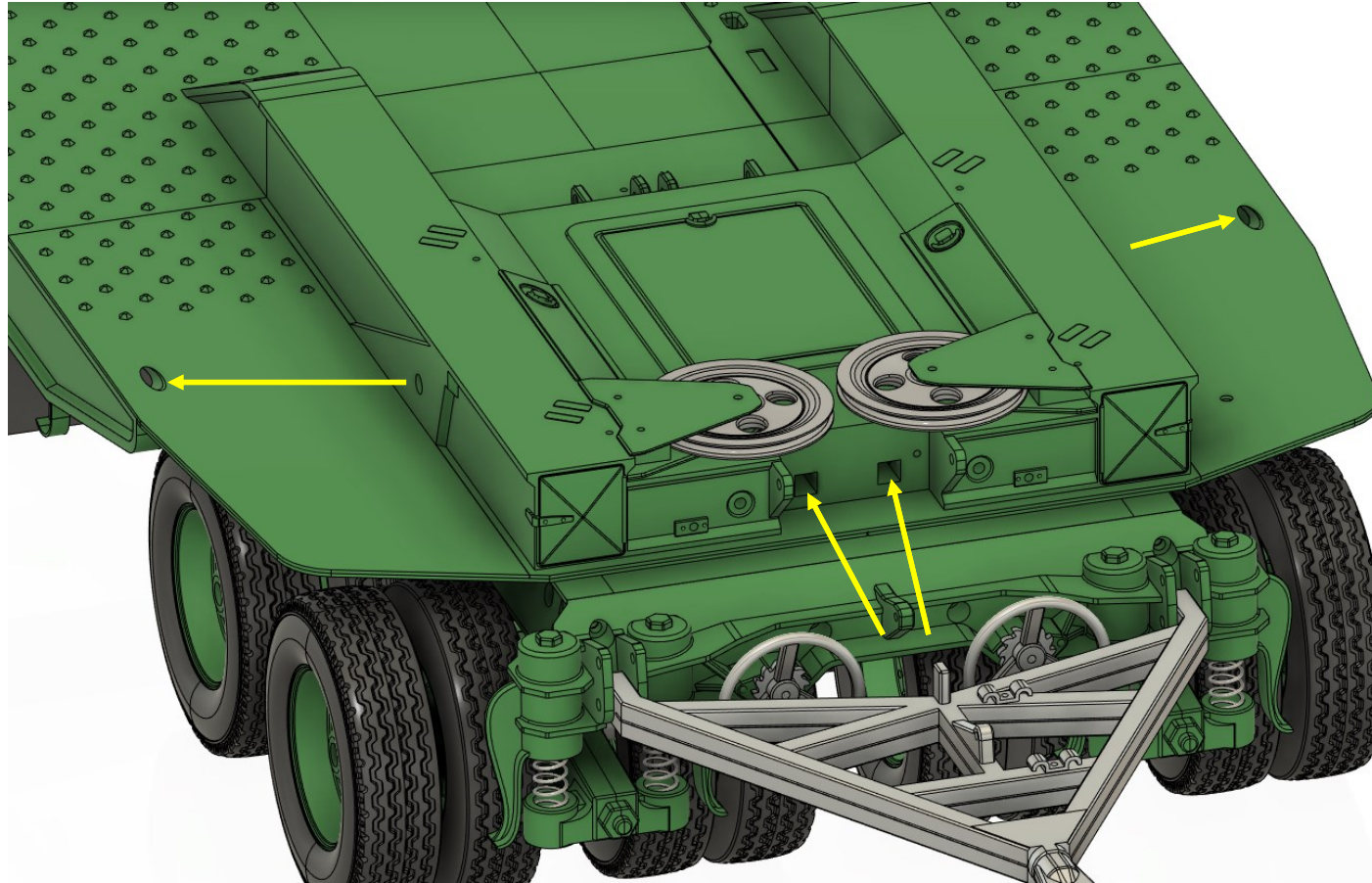
Correct position of closed ramp



**Insert 4x
Neodymium
magnets 6x2mm.
Magnets find the
right location on
their own
Glue the magnets.
Before gluing,
roughen the glued
surface of the
magnet.**

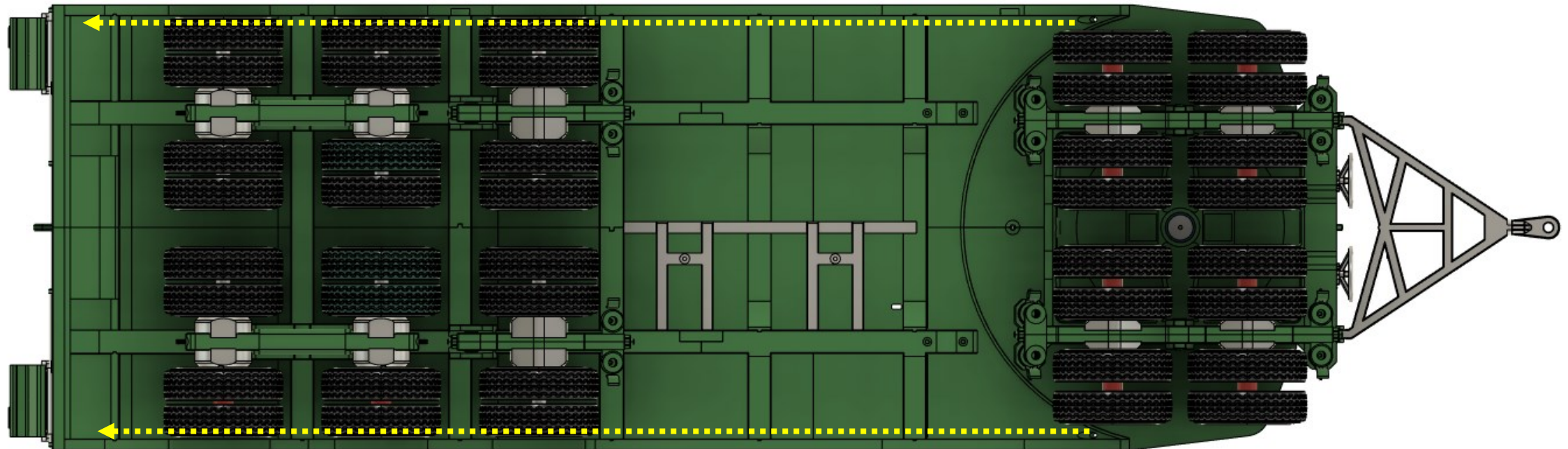
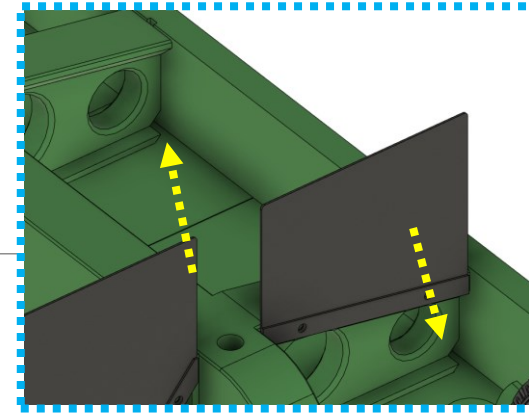
Body_2

Wire the LEDs through the holes. Preferably servo cable and the like. On each side 3 veins. Leave the wire long enough, even 30 cm.

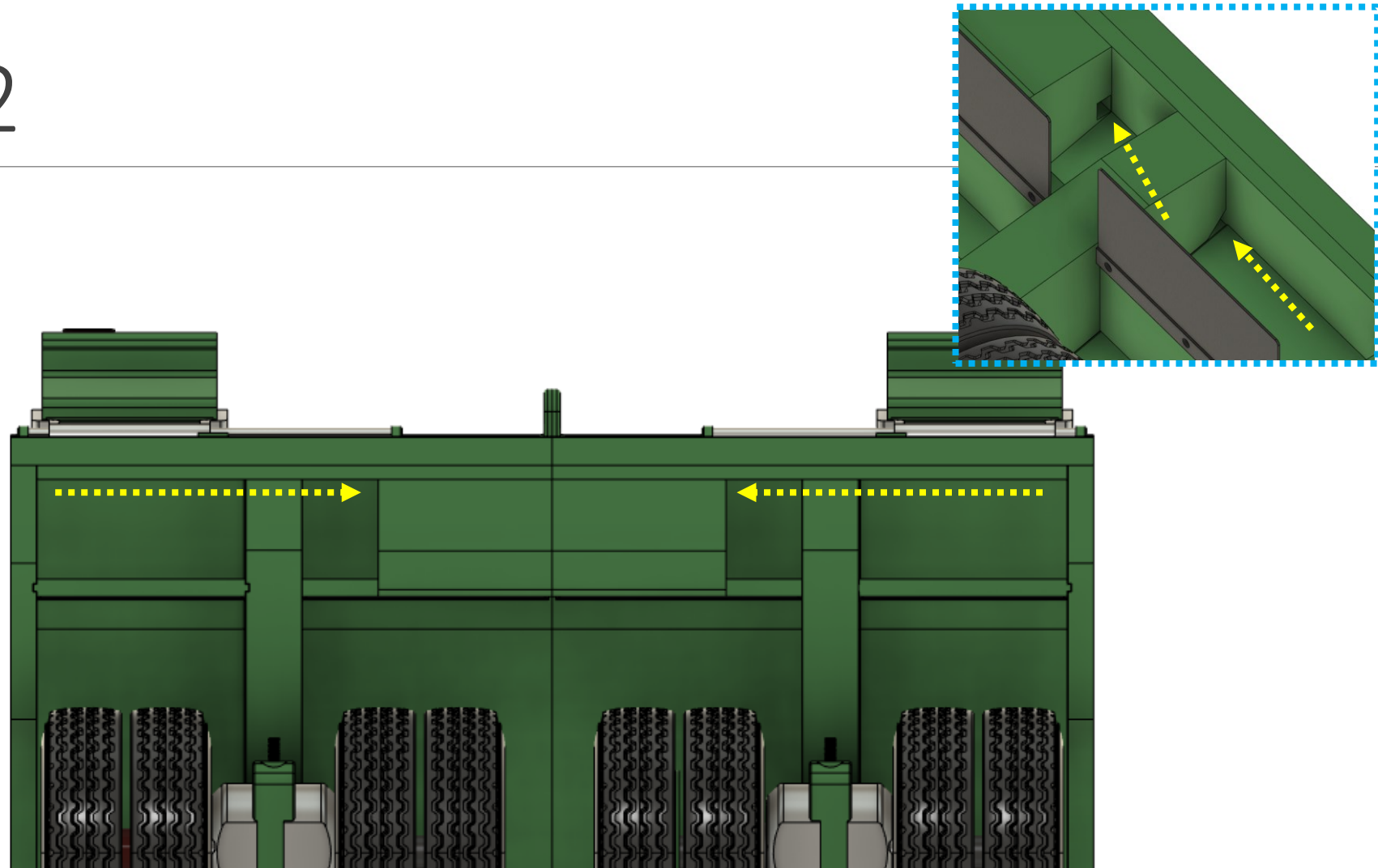


Body_2

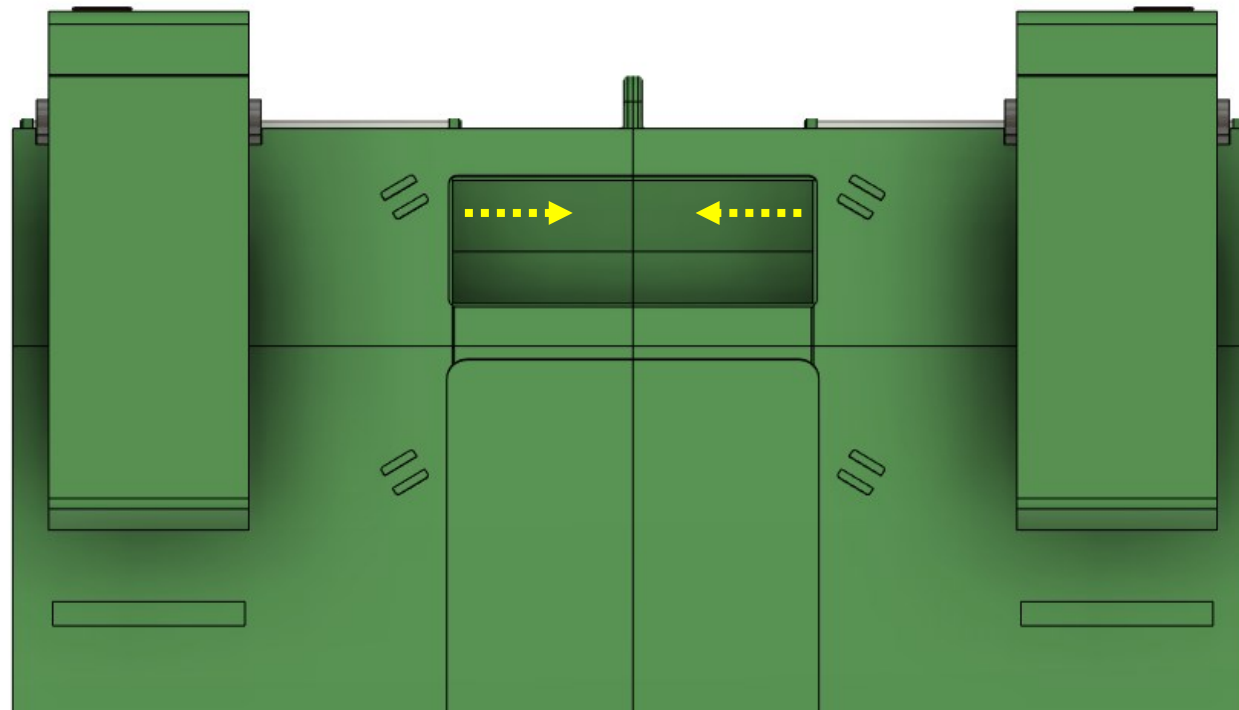
Method of guiding conductors



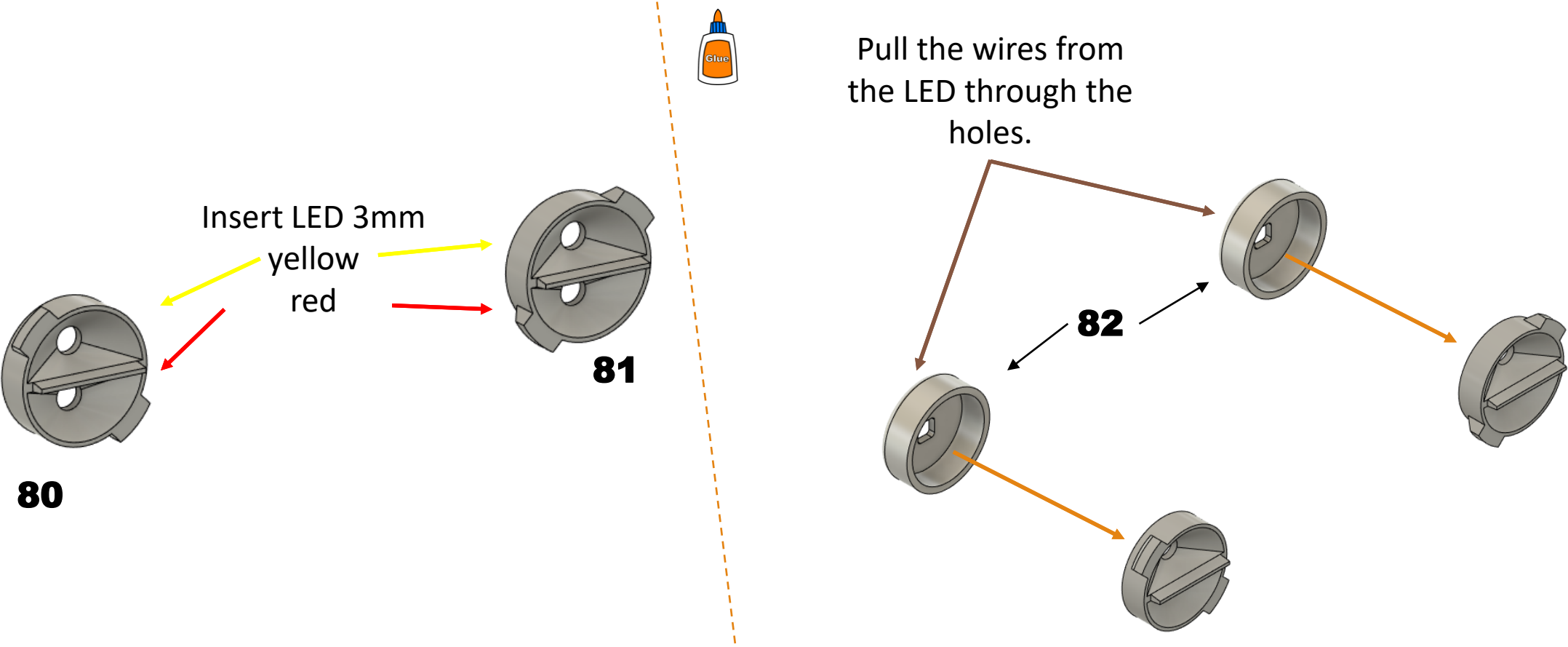
Body_2



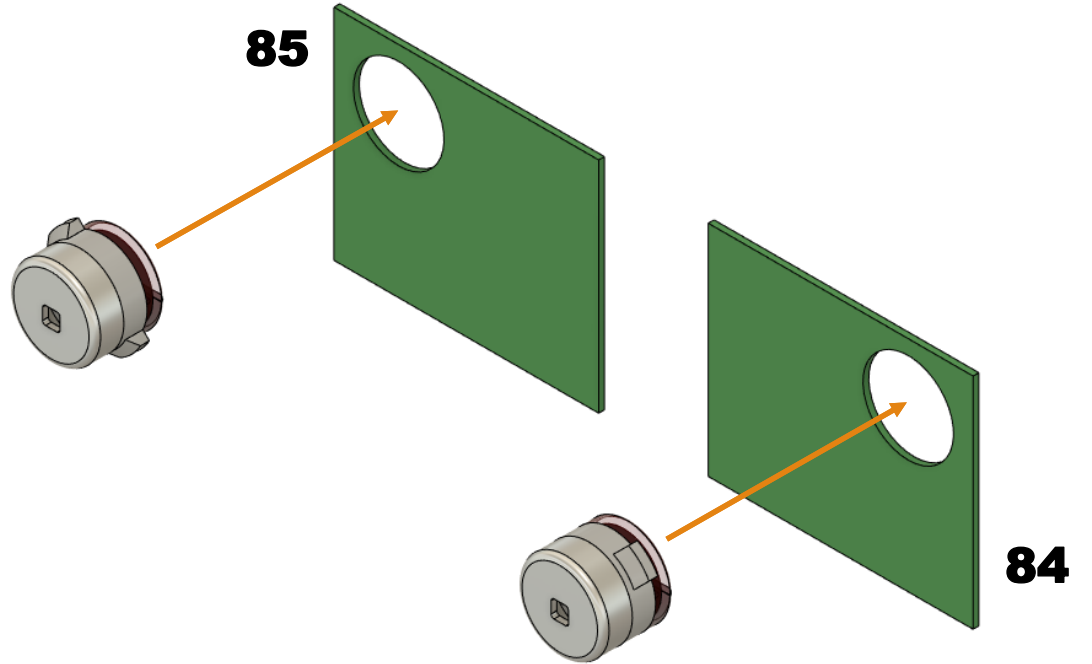
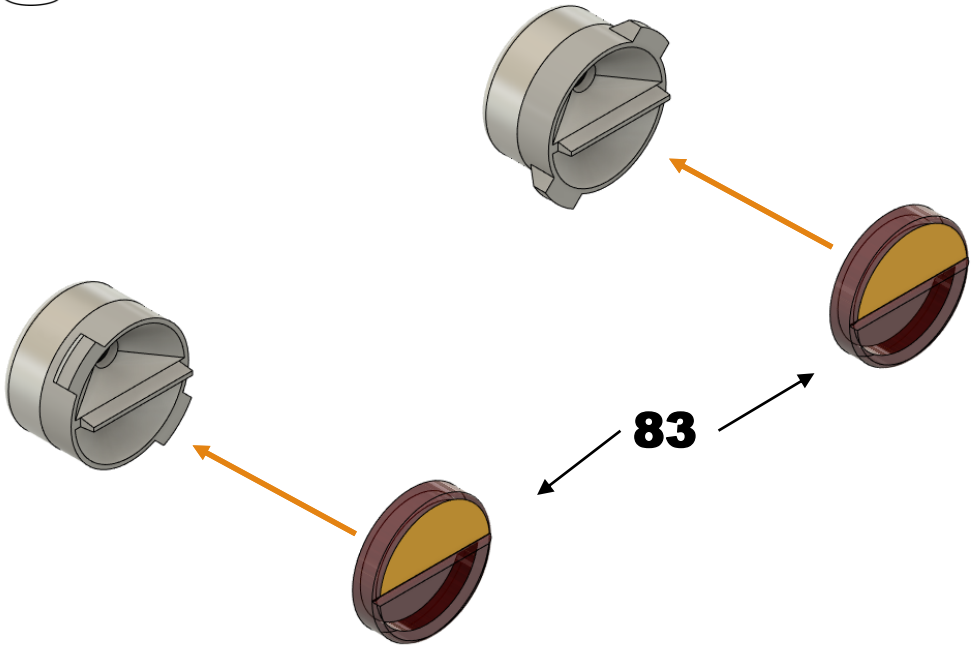
Body_2



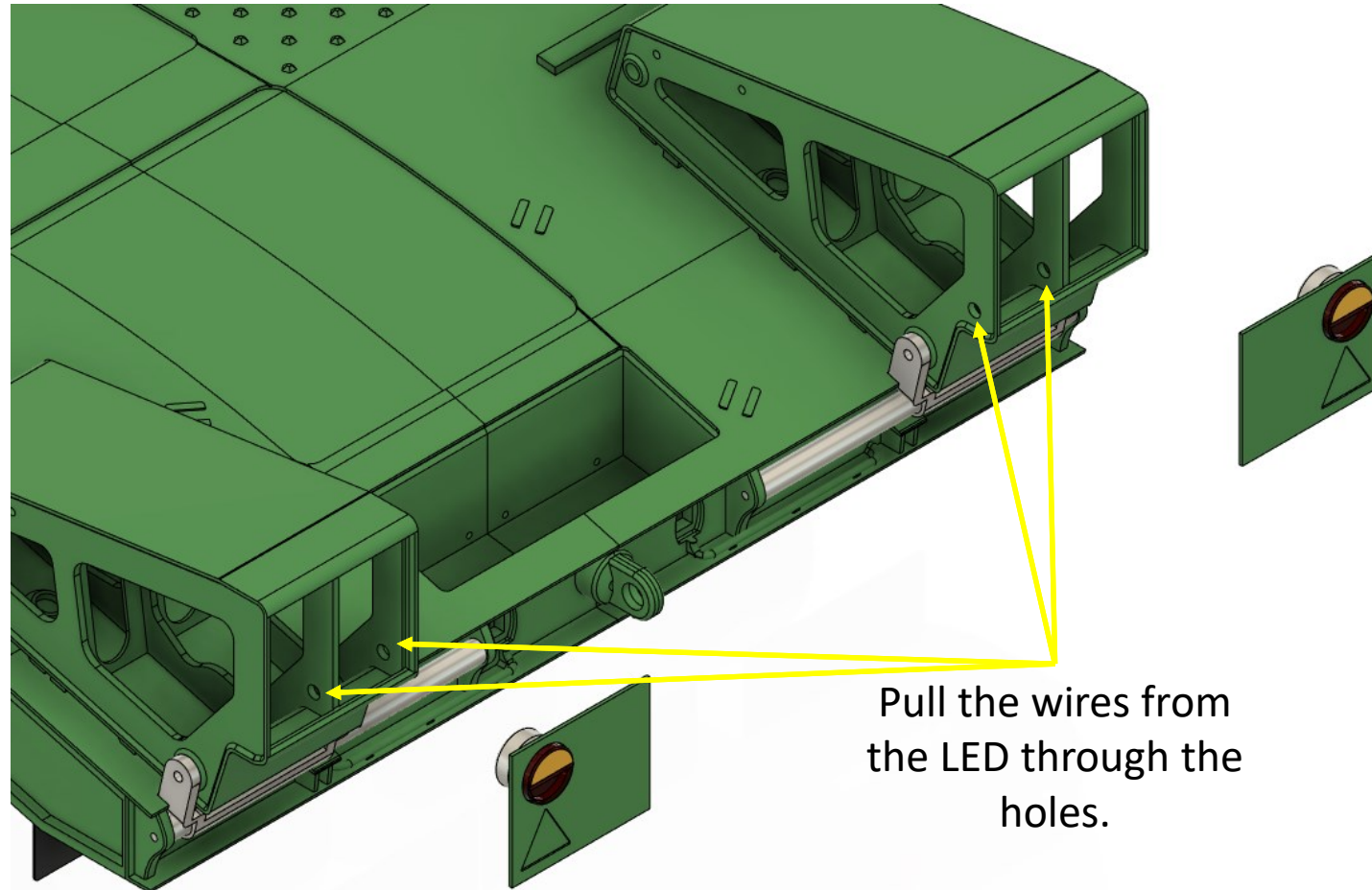
Body_2



Body_2

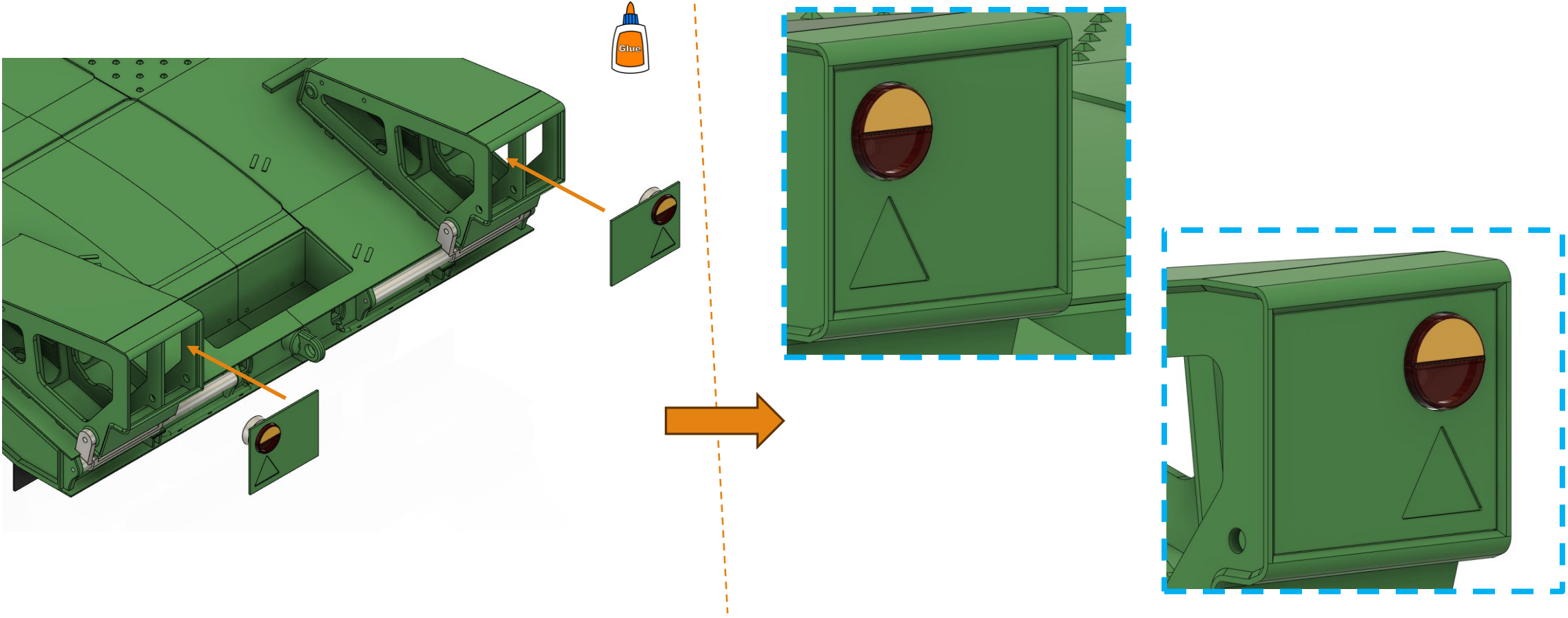


Body_2

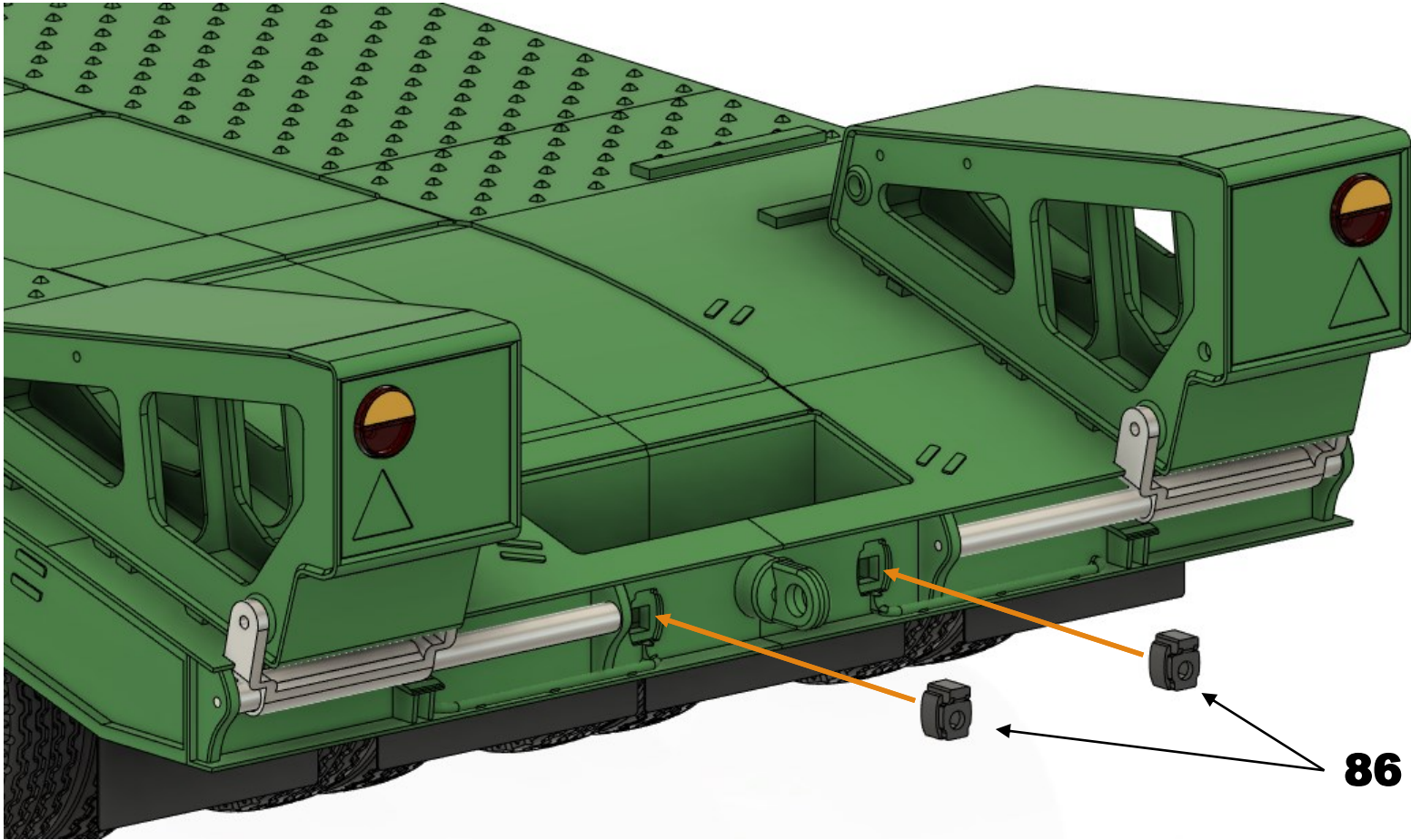


Pull the wires from the LED through the holes.

Body_2

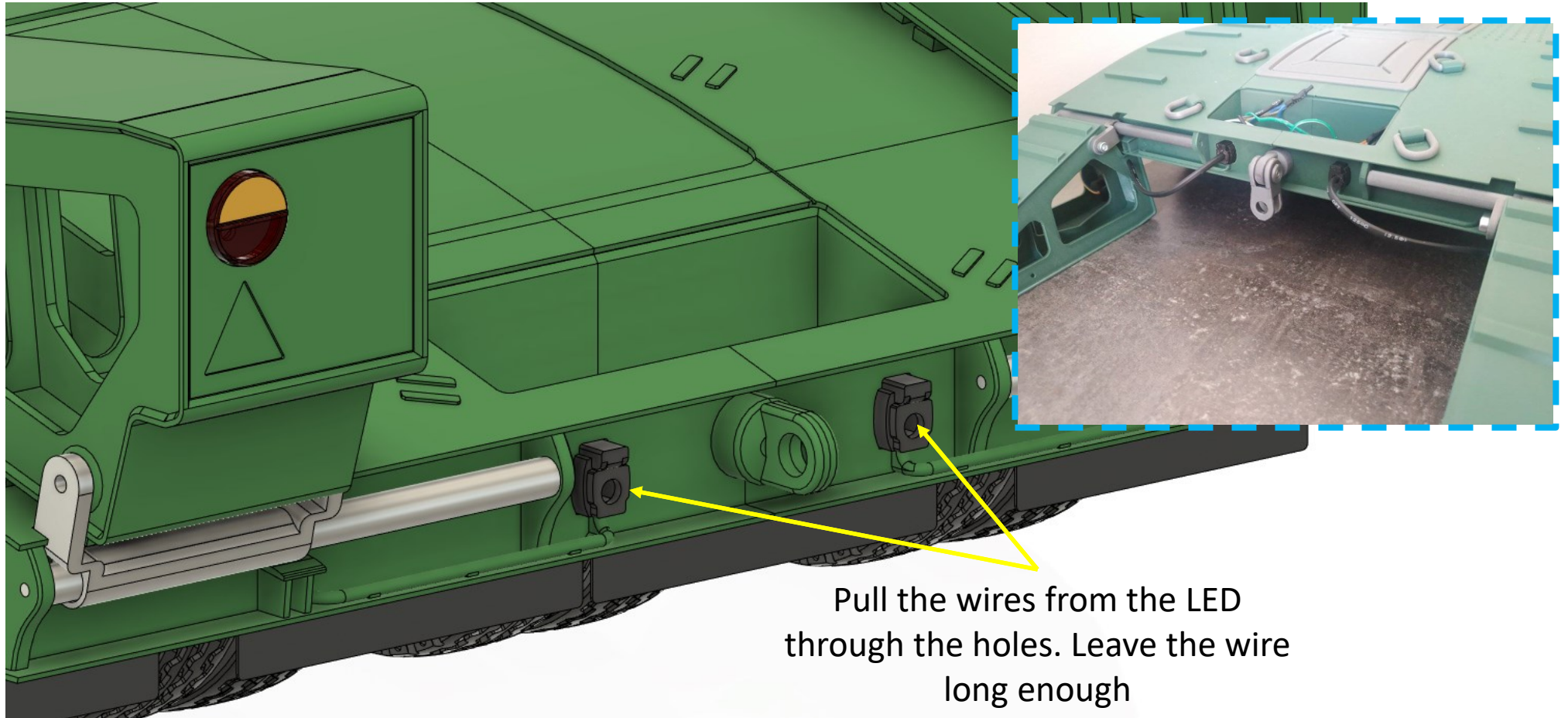


Body_2



86

Body_2

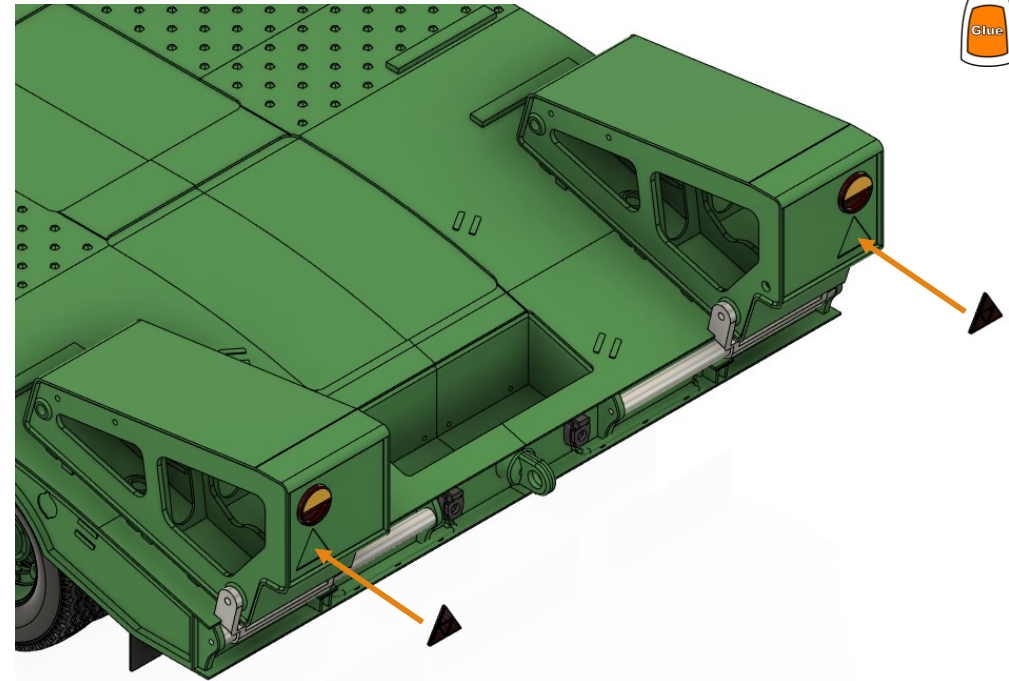
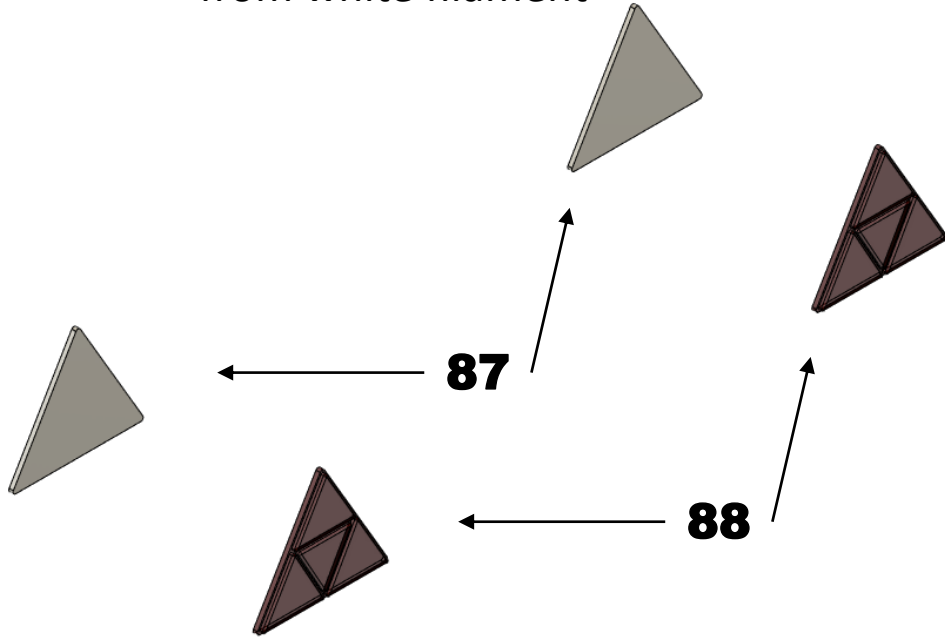


Pull the wires from the LED through the holes. Leave the wire long enough

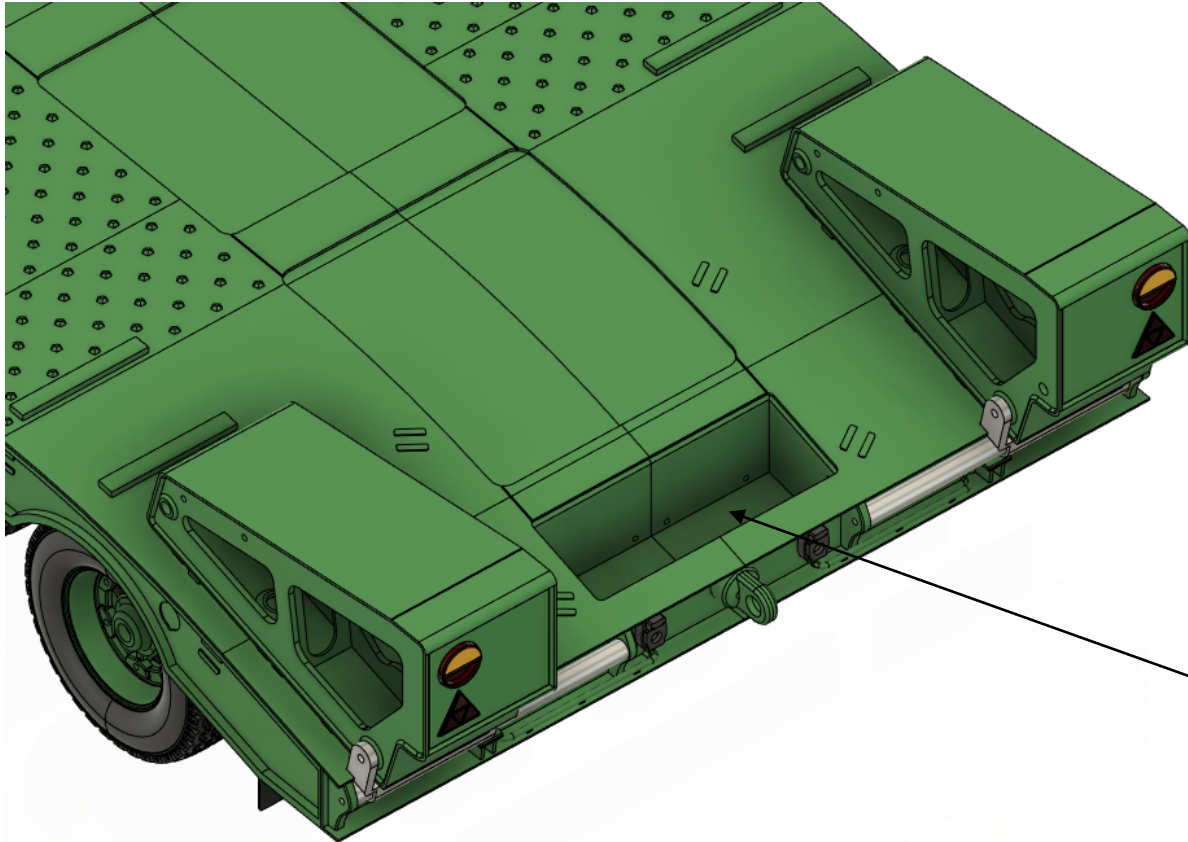
Body_2



I recommend printing 87 parts from white filament



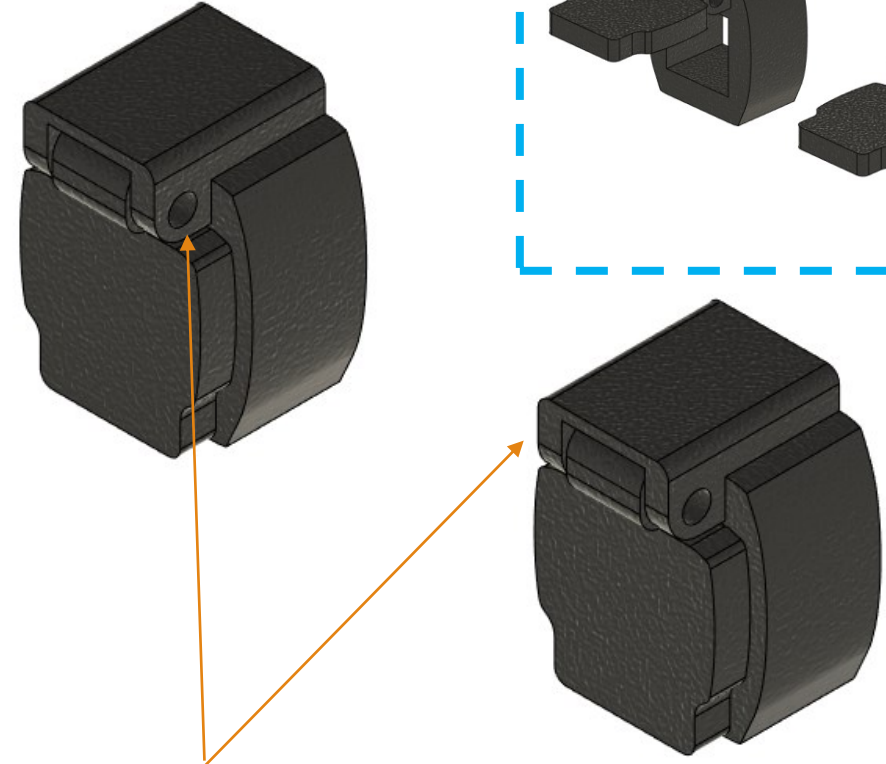
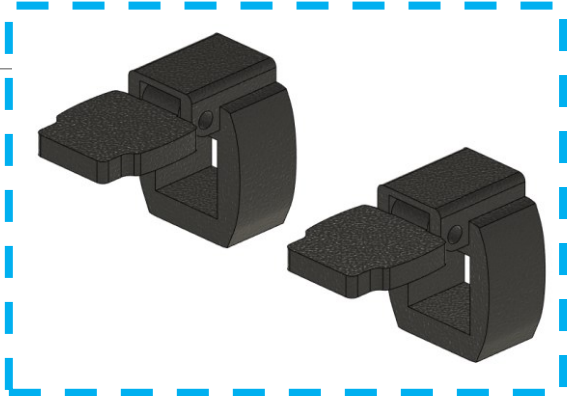
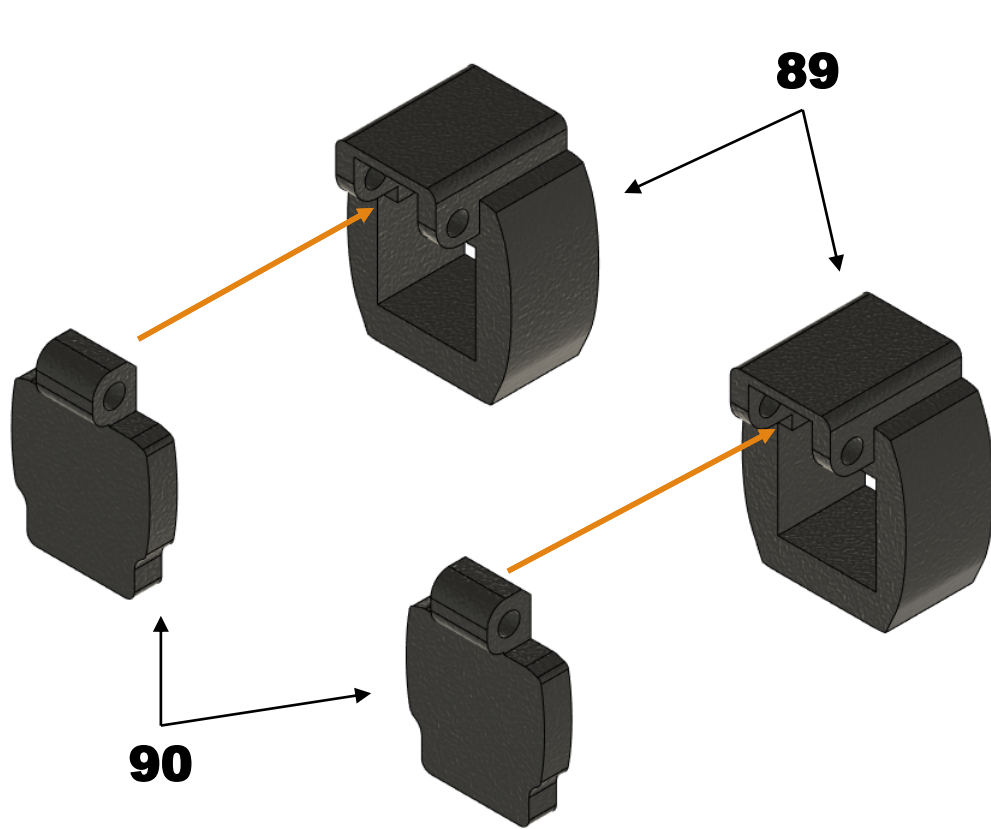
Body_2



Solder the wires to the LED and insulate against short circuits.
Connection-my recommendation:
Left wire = 2 veins left blinker, the remaining vein will be
+ contact to rear position lights
Right wire = 2 wires right turn signal, the remaining vein will be - contact to the rear position lights
Hide excess wires.

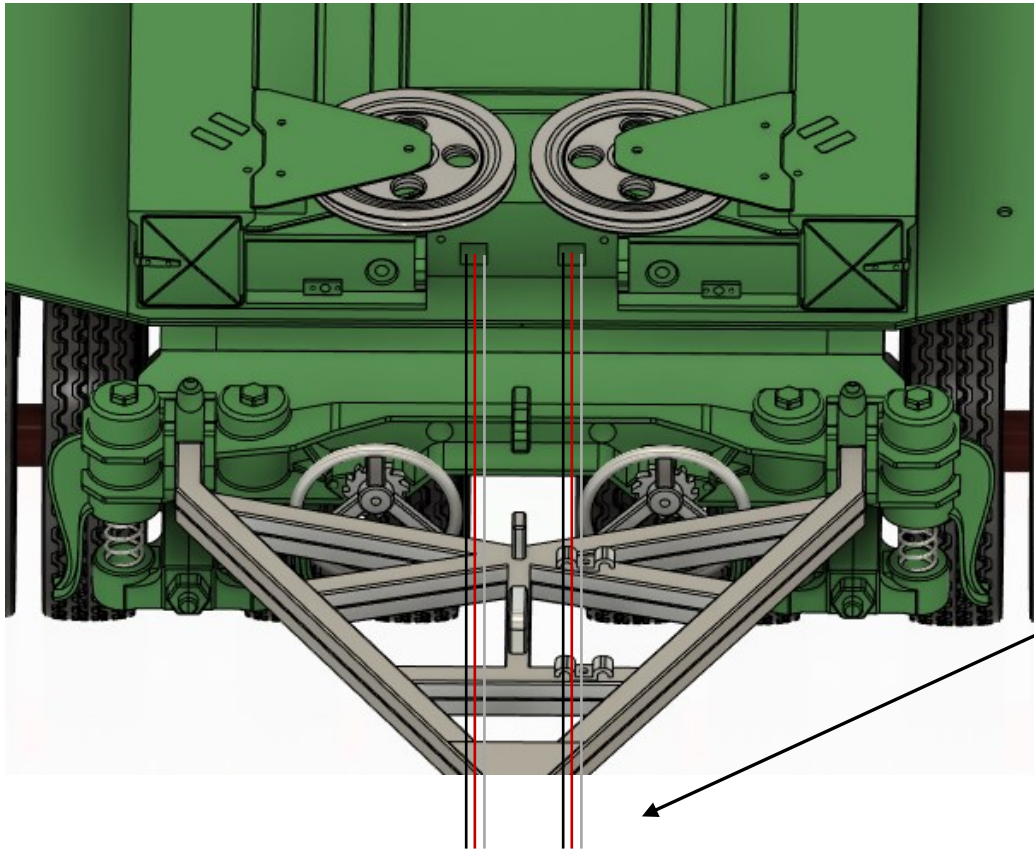
Body_2

If this step is beyond your strength, never mind, glue the lid in the open position.

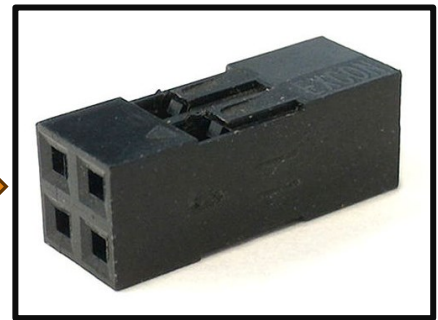


As a hinge use wire 1x5.5mm, secure with glue.
Drawer lid must open/close

Body_2

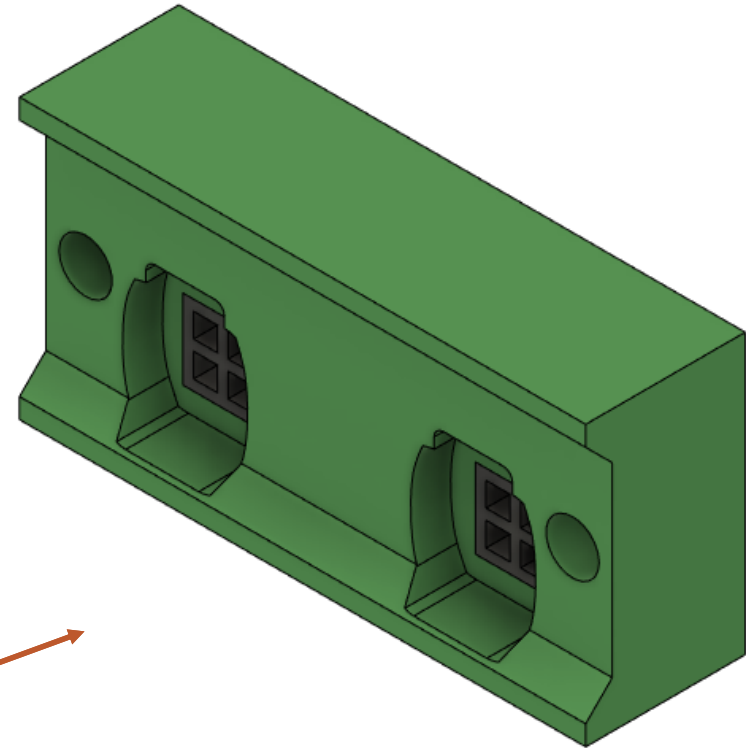
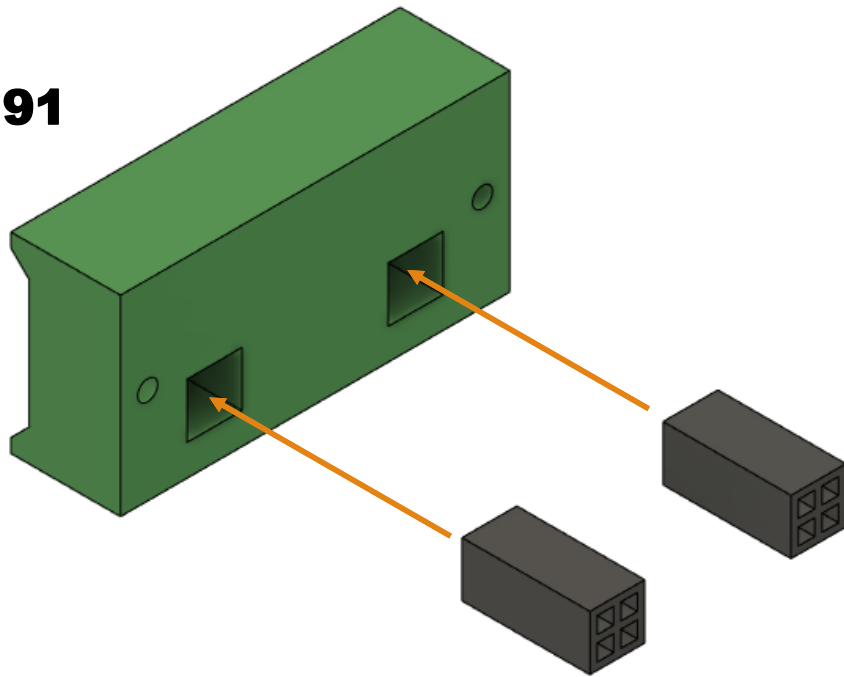


Fit the wires with a DUPONT female and insert to DUPONT connector 2x2 pin.
Make a system so that you still know, where and where each wire leads.



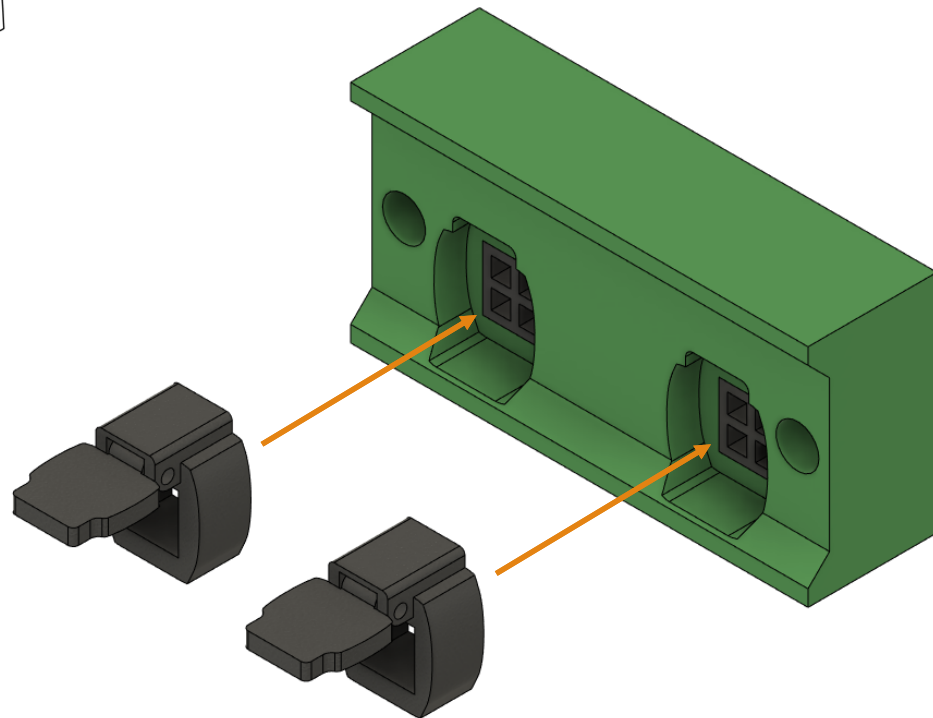
Body_2

91

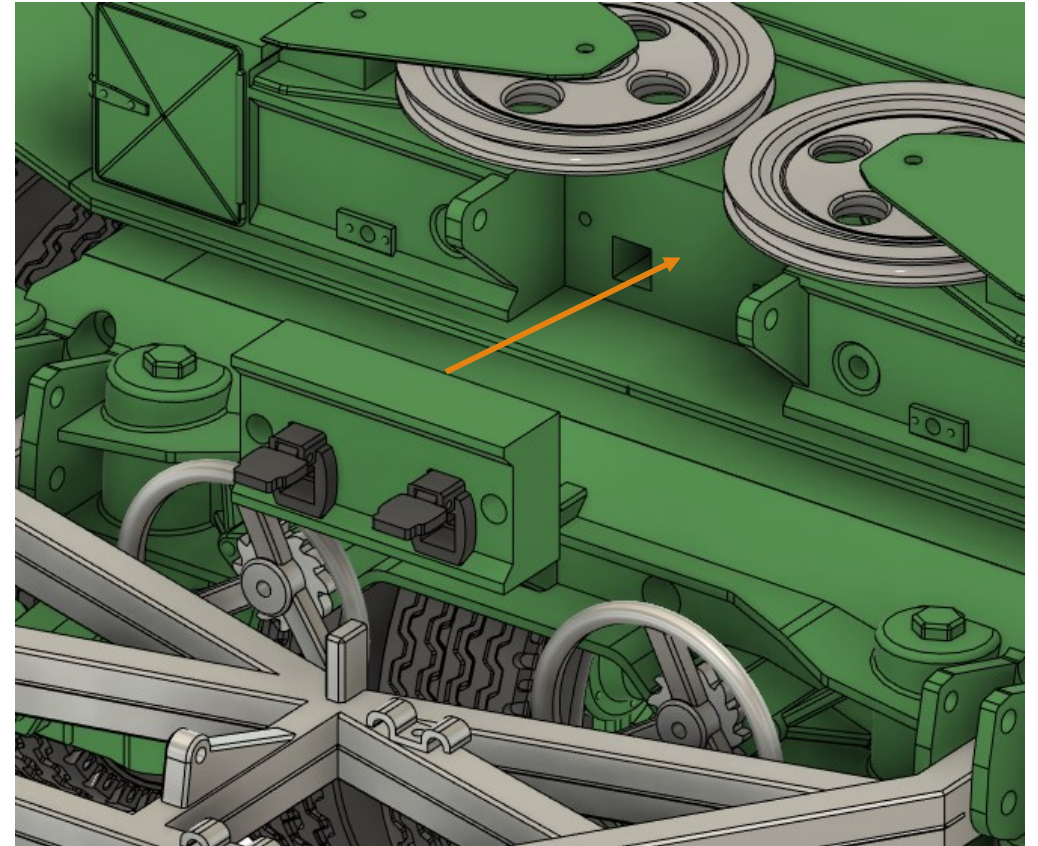


DUPONT connector 2x2 pin
Insert as shown and secure with glue.

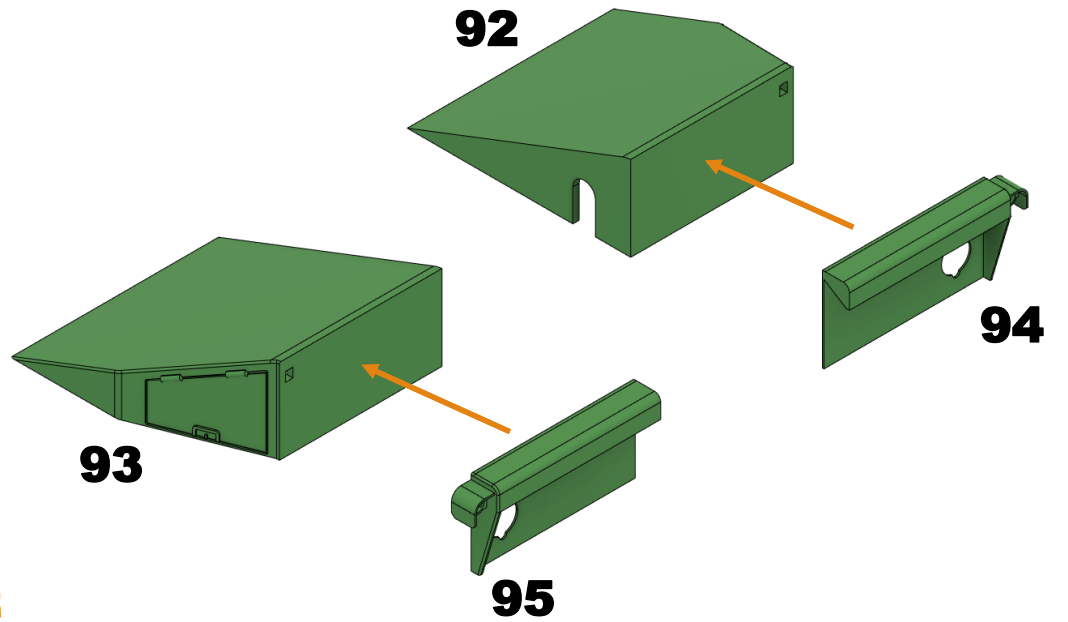
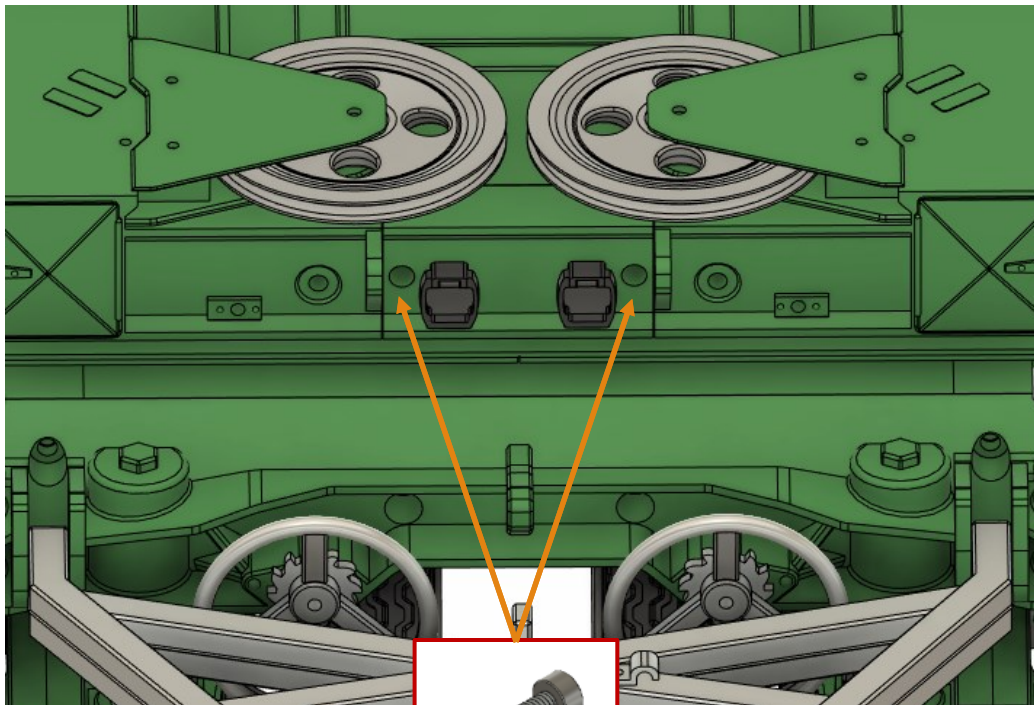
Body_2



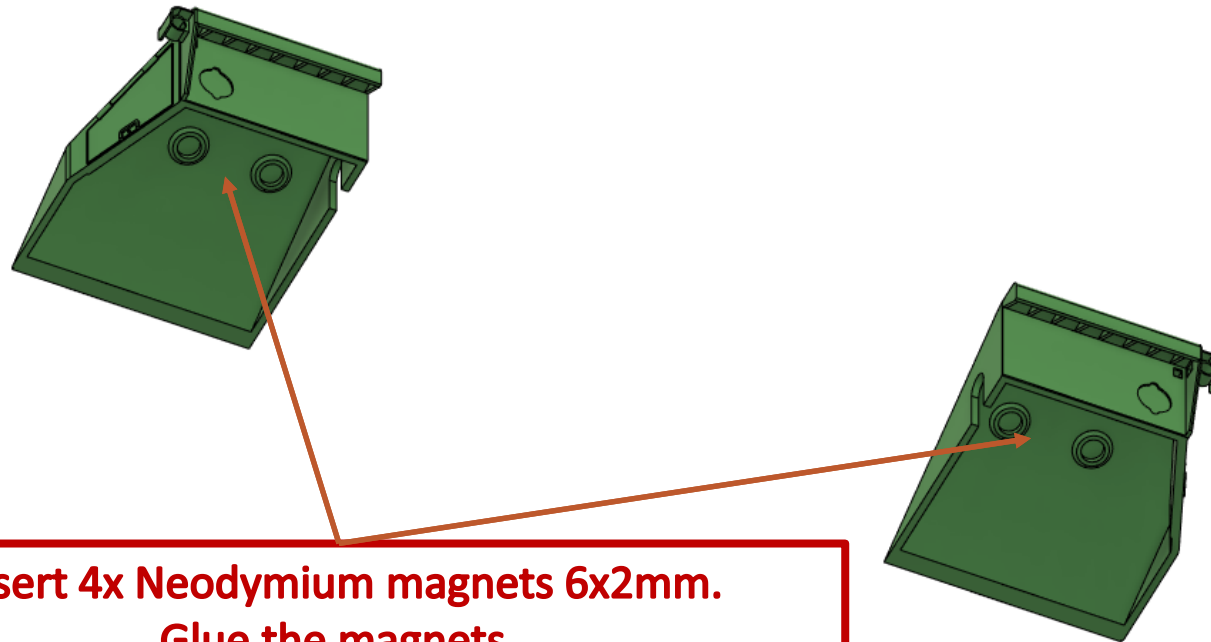
Glue carefully so that the glue does not leak into the connectors



Body_2



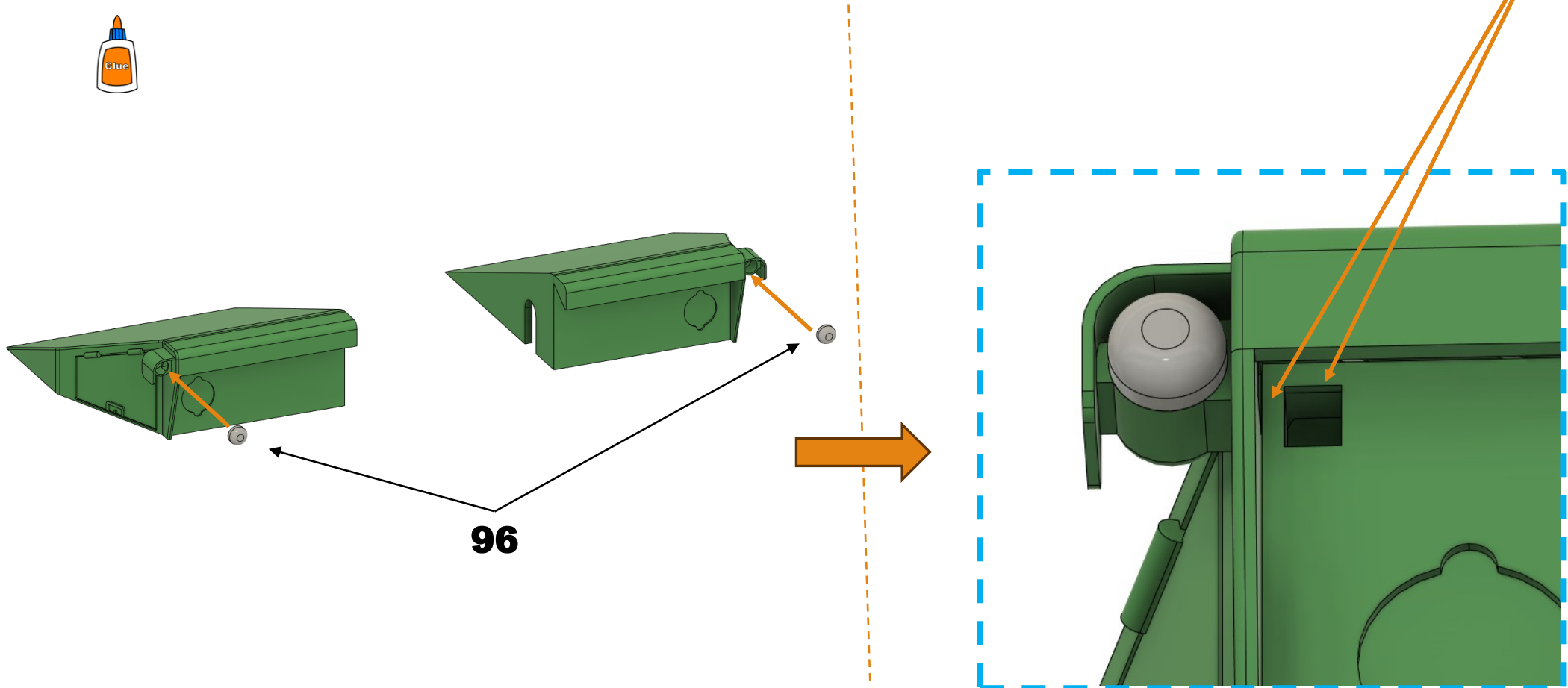
Body_2



**Insert 4x Neodymium magnets 6x2mm.
Glue the magnets.
Before gluing, roughen the glued surface of the
magnet.**

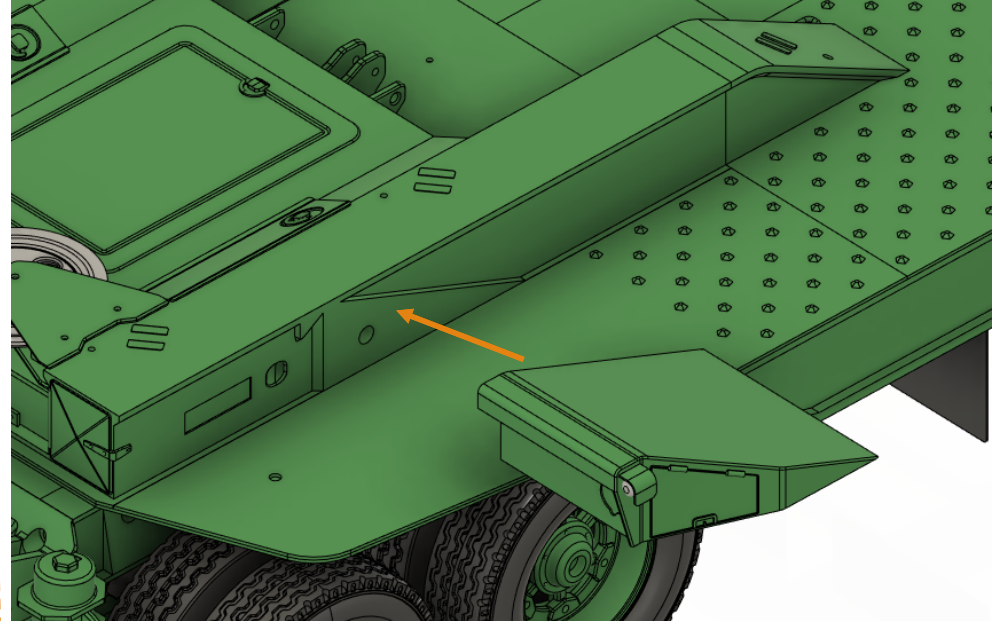
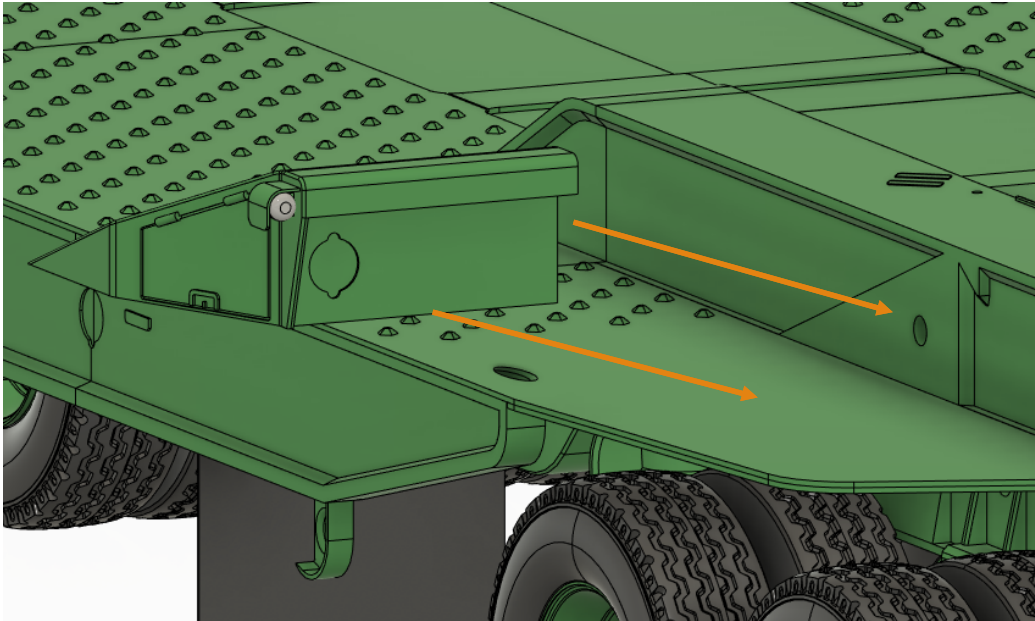
Body_2

Instead of 96 parts, LED white warm can be inserted.
The LED legs need to be bent and pushed through the prepared hole.
After that, wires can be soldered to the LED.

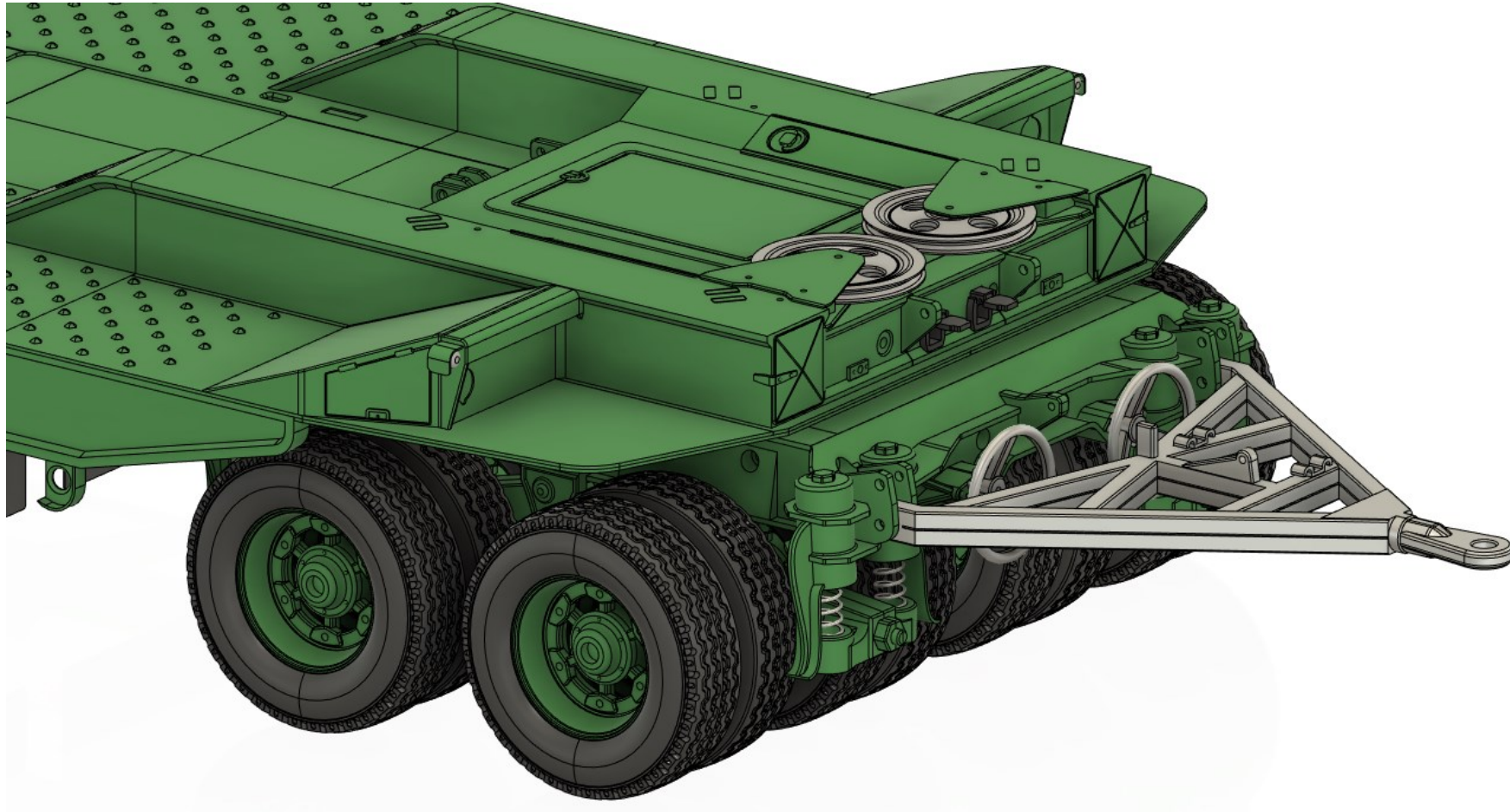


96

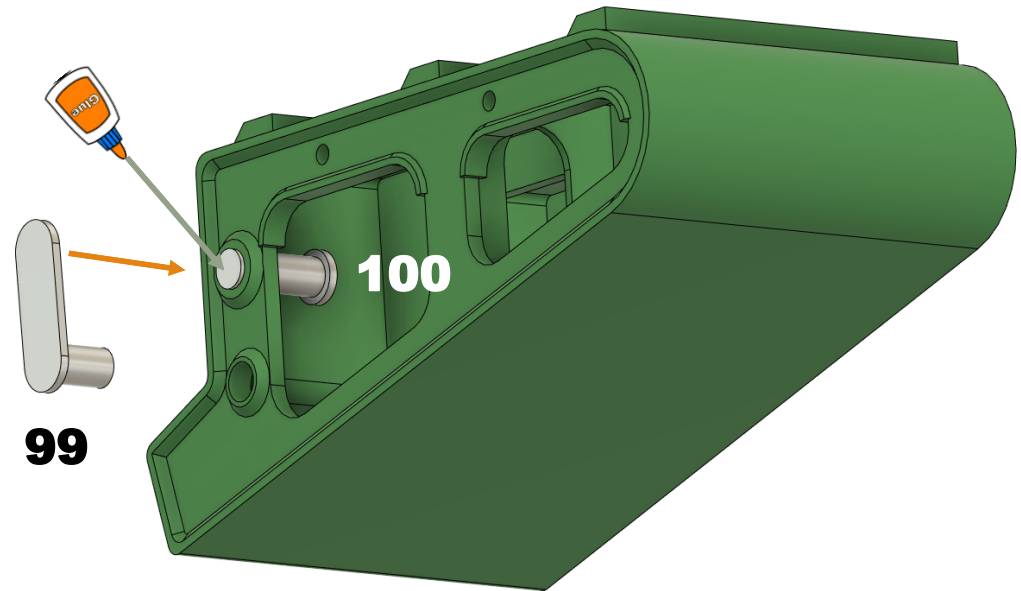
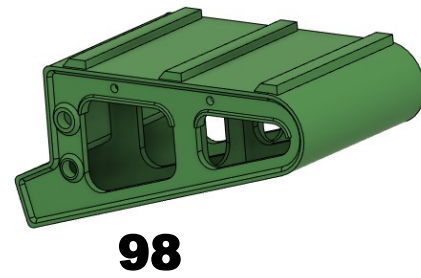
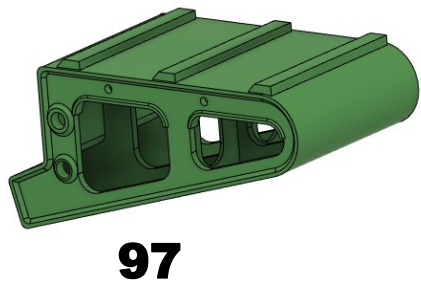
Body_2



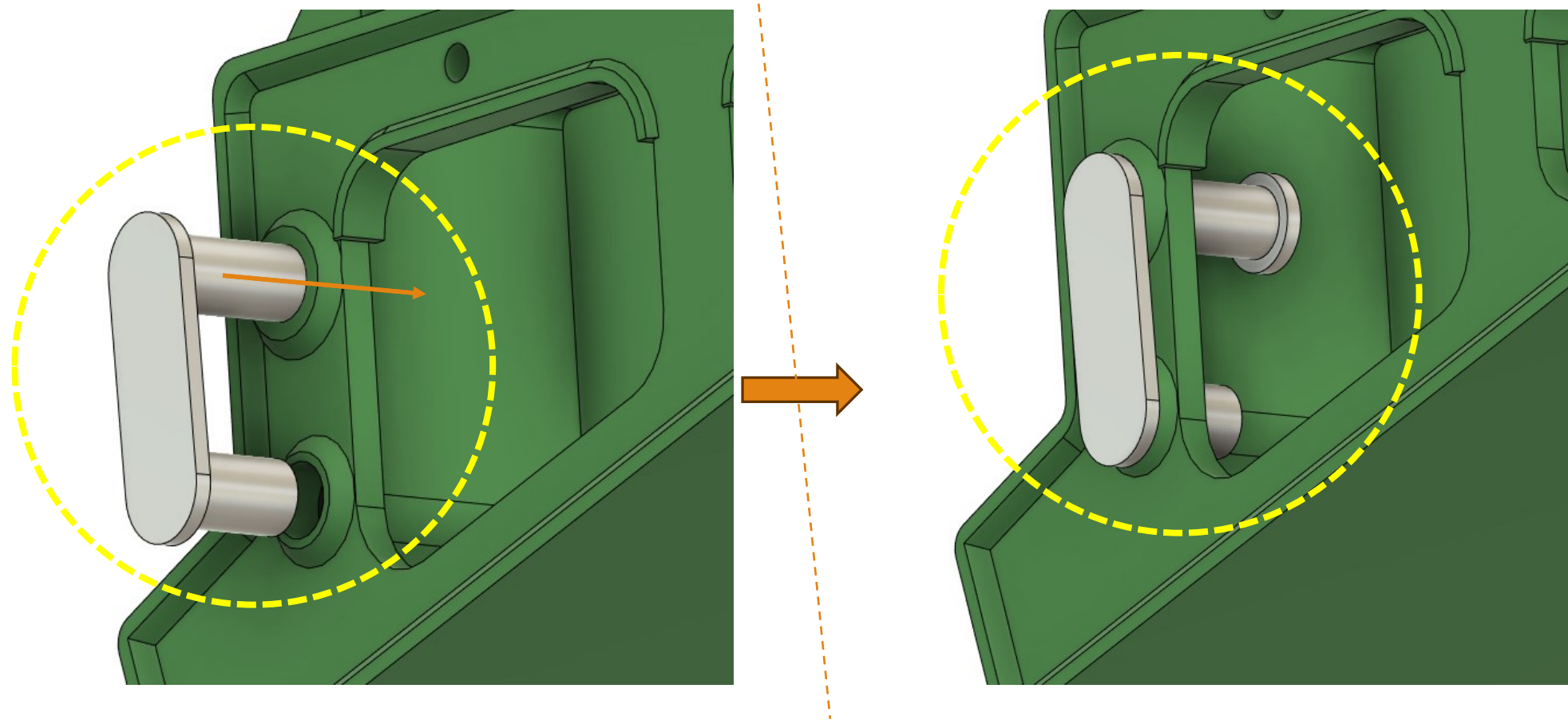
Body_2



Body_2

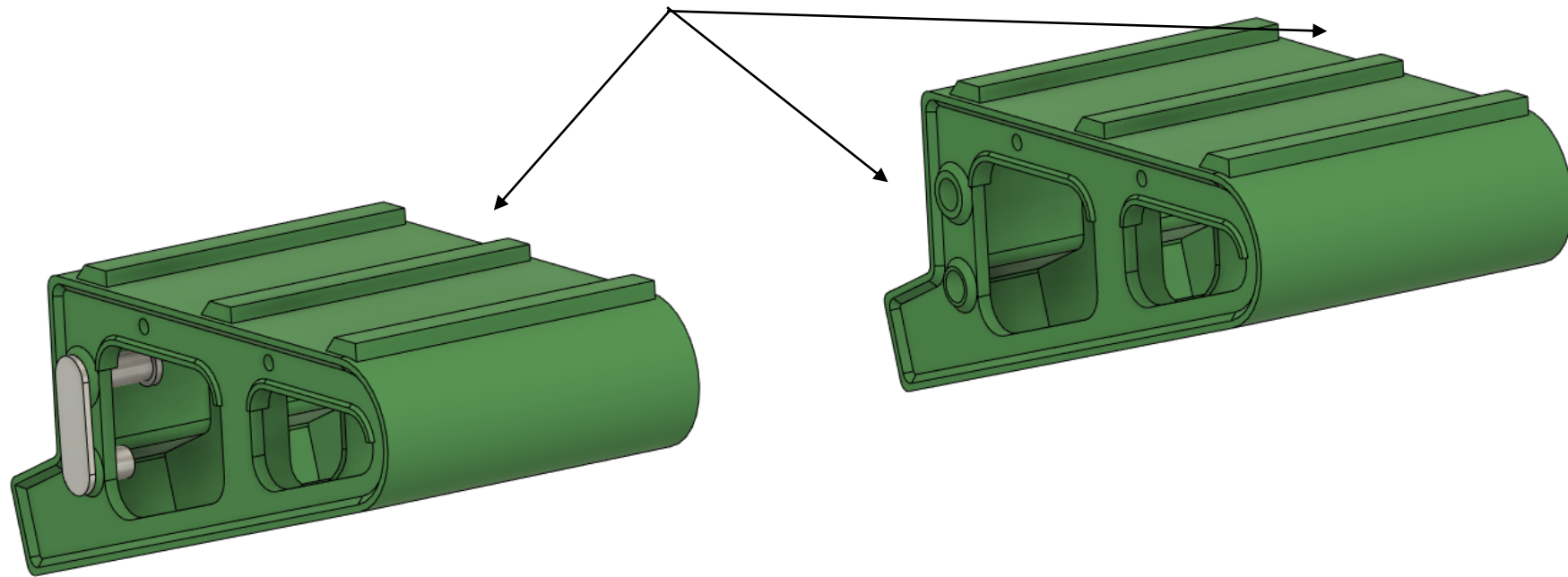


Body_2



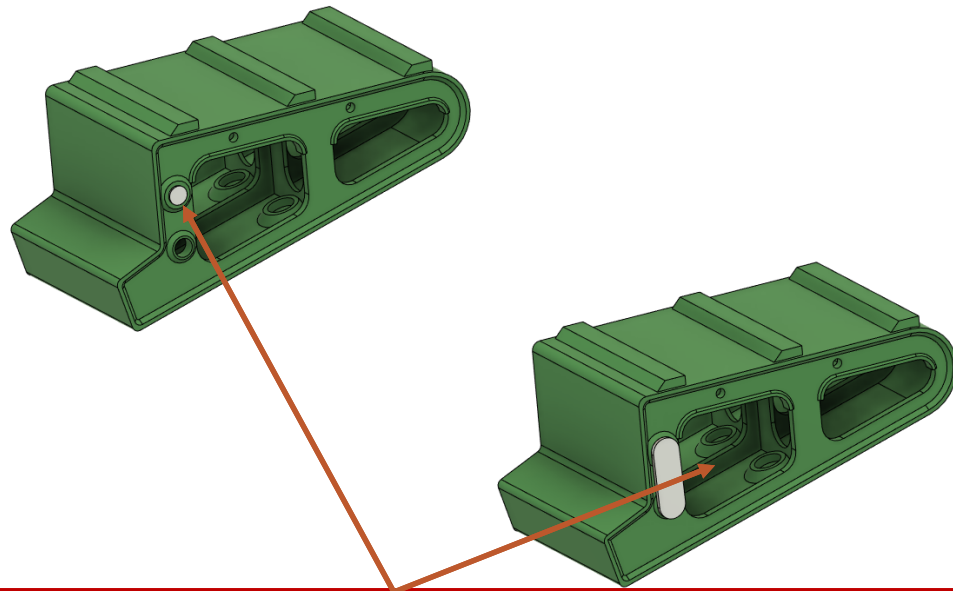
Body_2

Repeat the same procedure

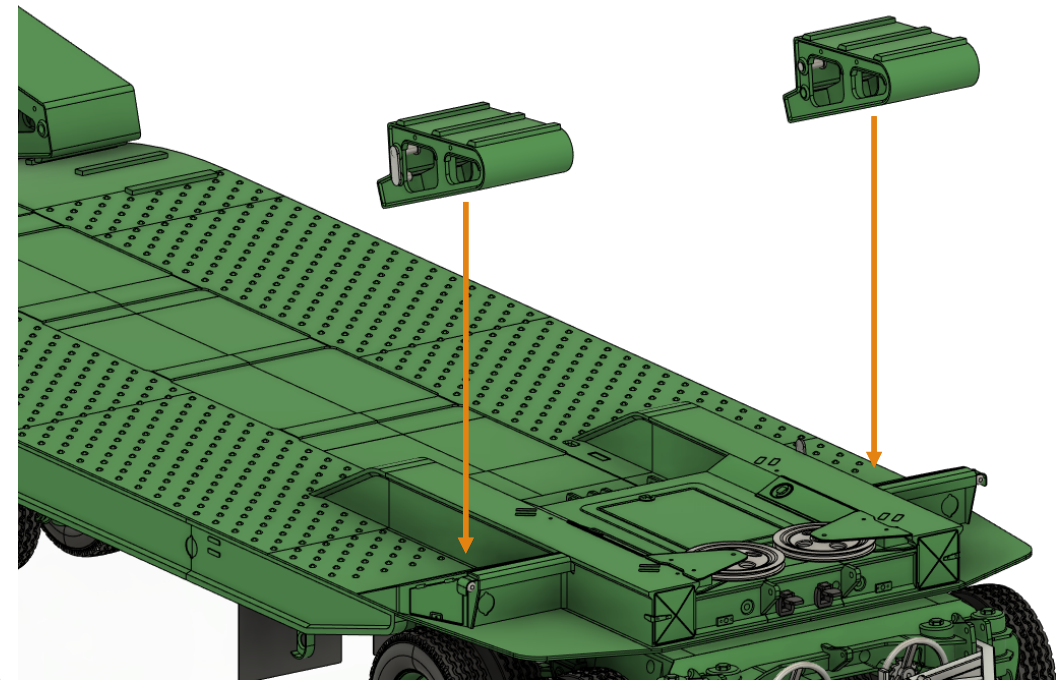


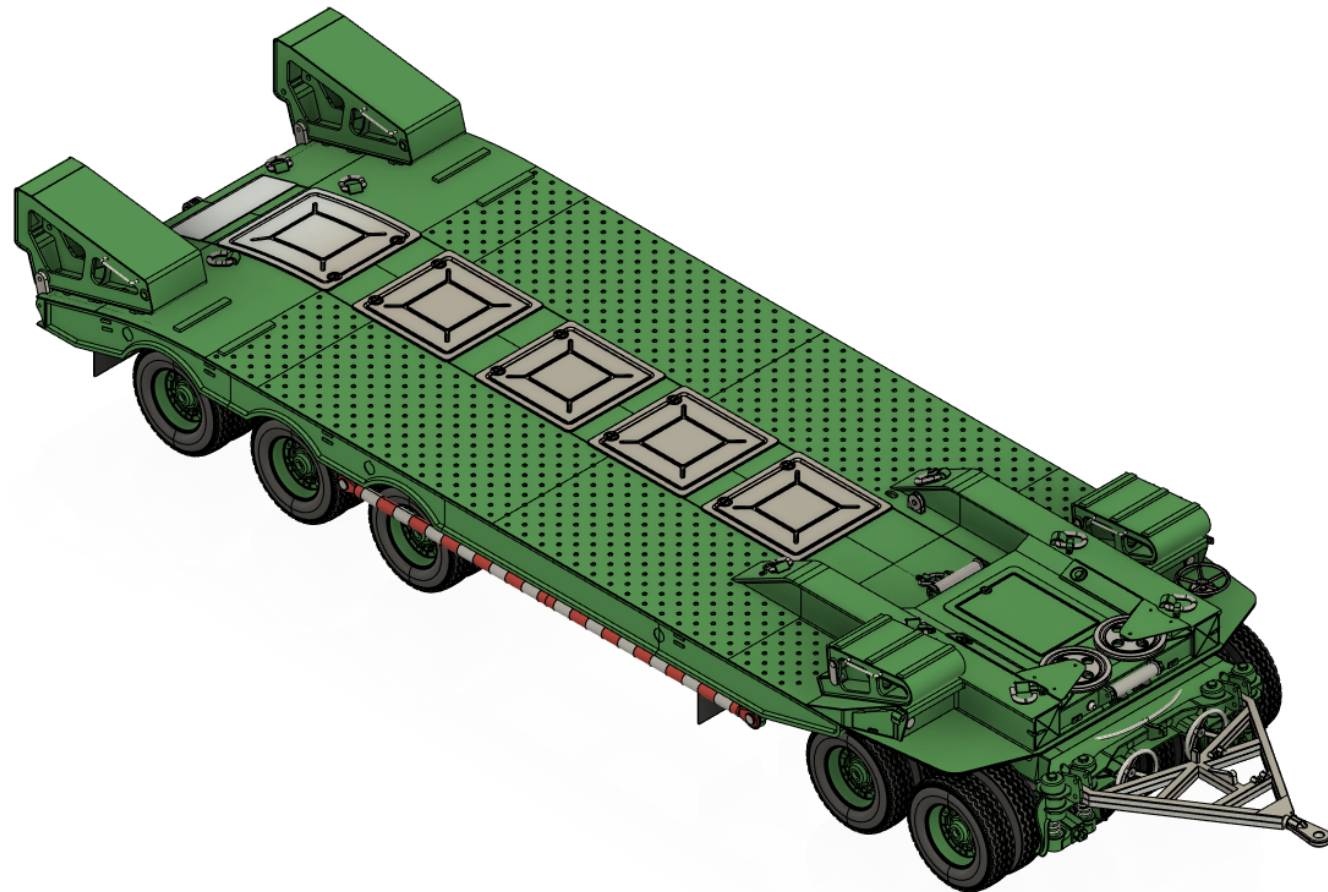
Body_2

Beware of the polarity of magnets.
Magnets must attract each other, thanks to which they will hold the raids in place
And you can take them down at any time.



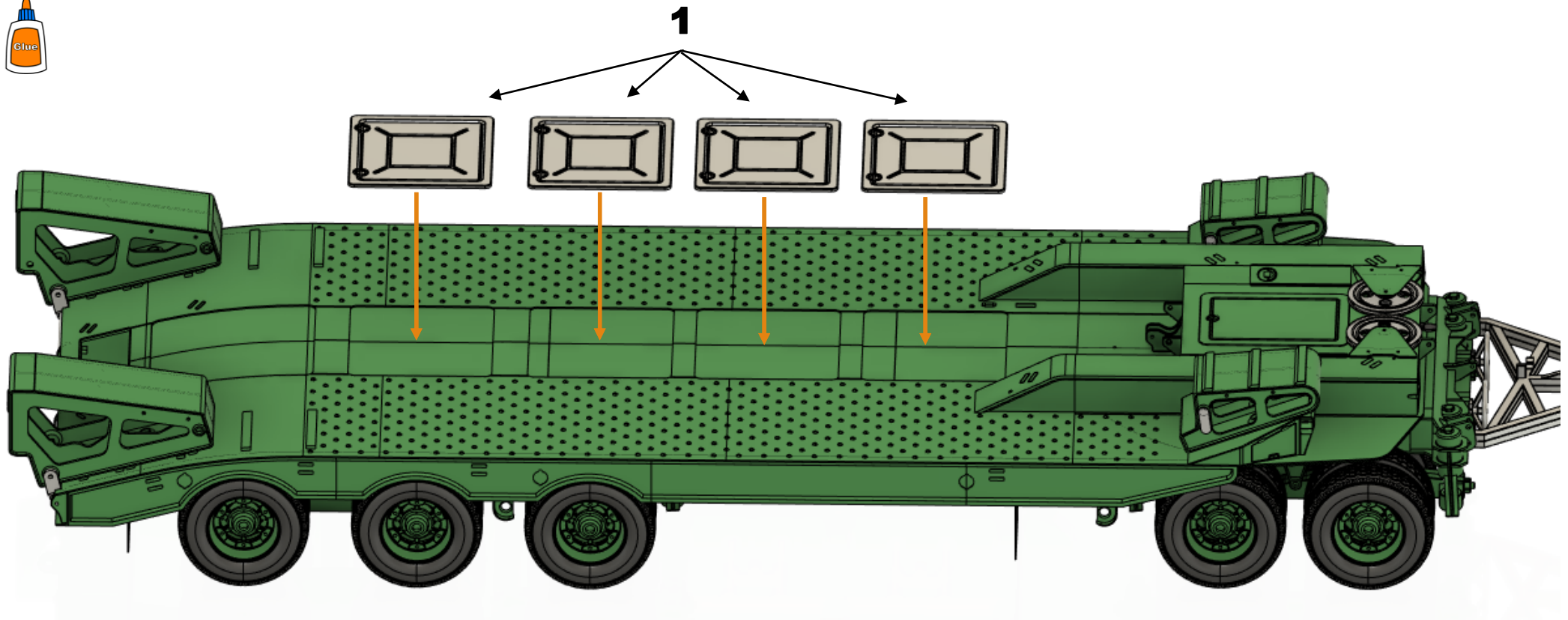
**Insert 4x Neodymium magnets 6x2mm.
Glue the magnets.
Before gluing, roughen the glued surface of the magnet.**



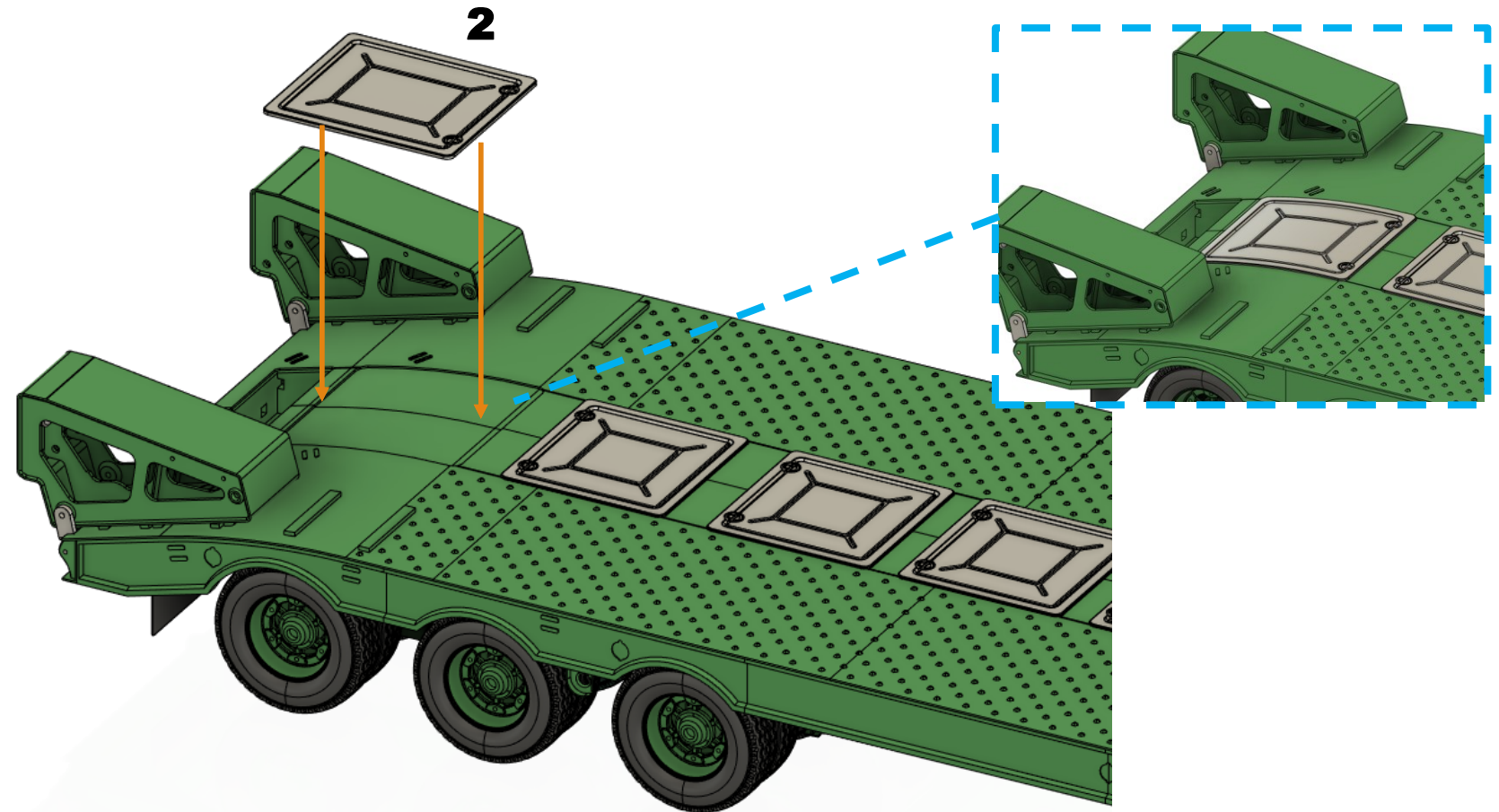


Accessories

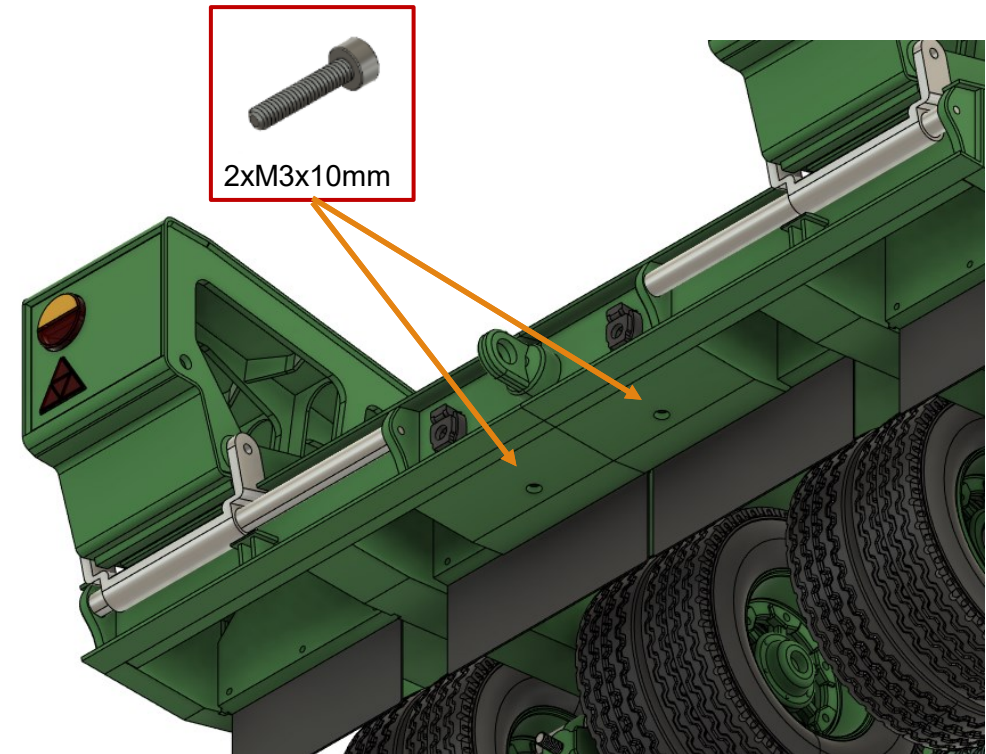
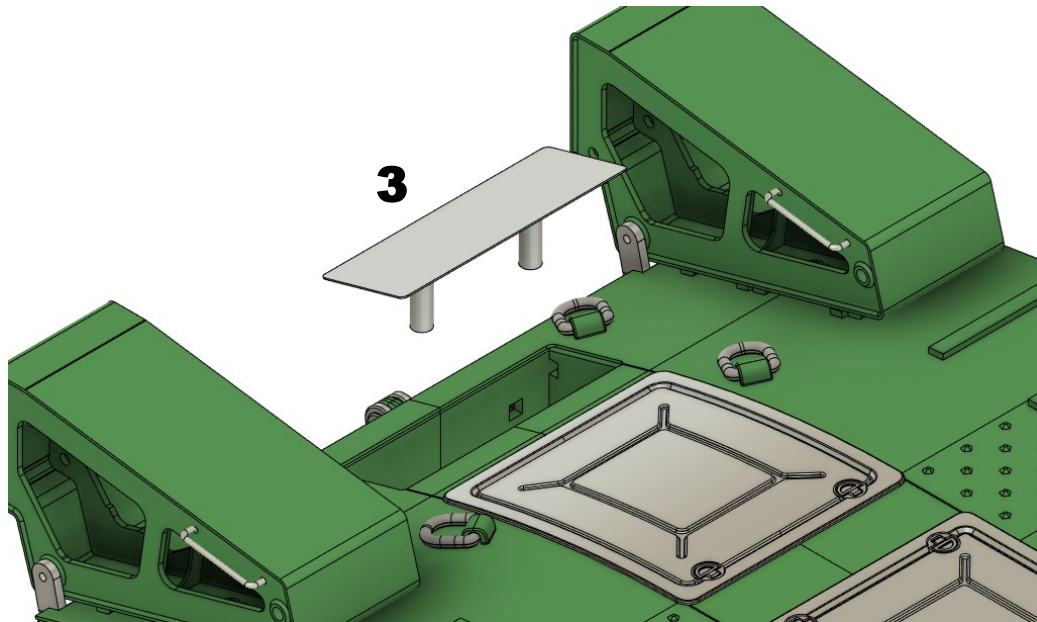
Accessories



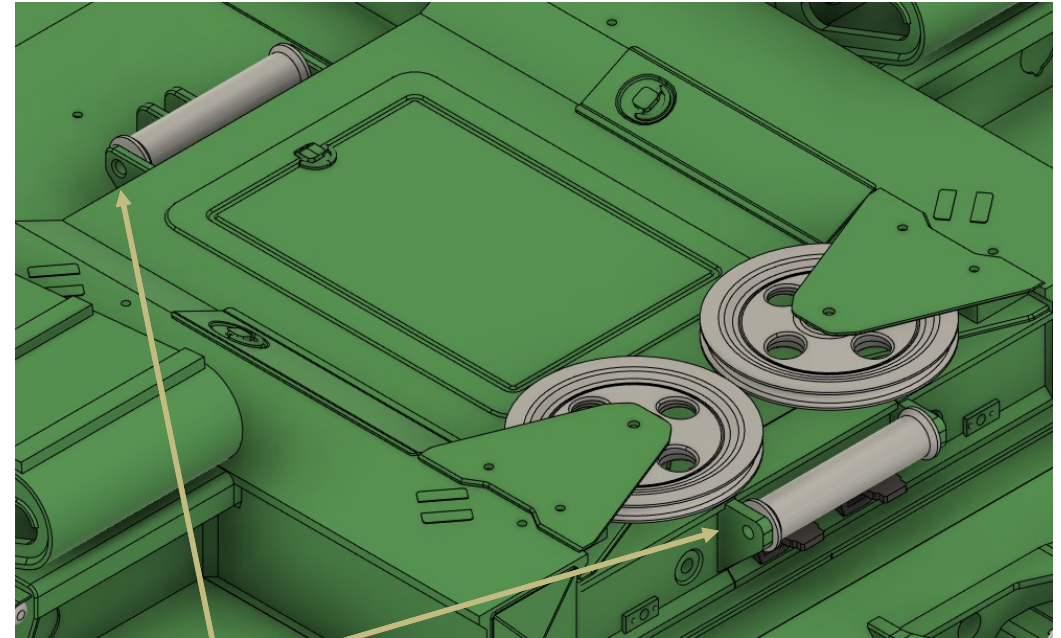
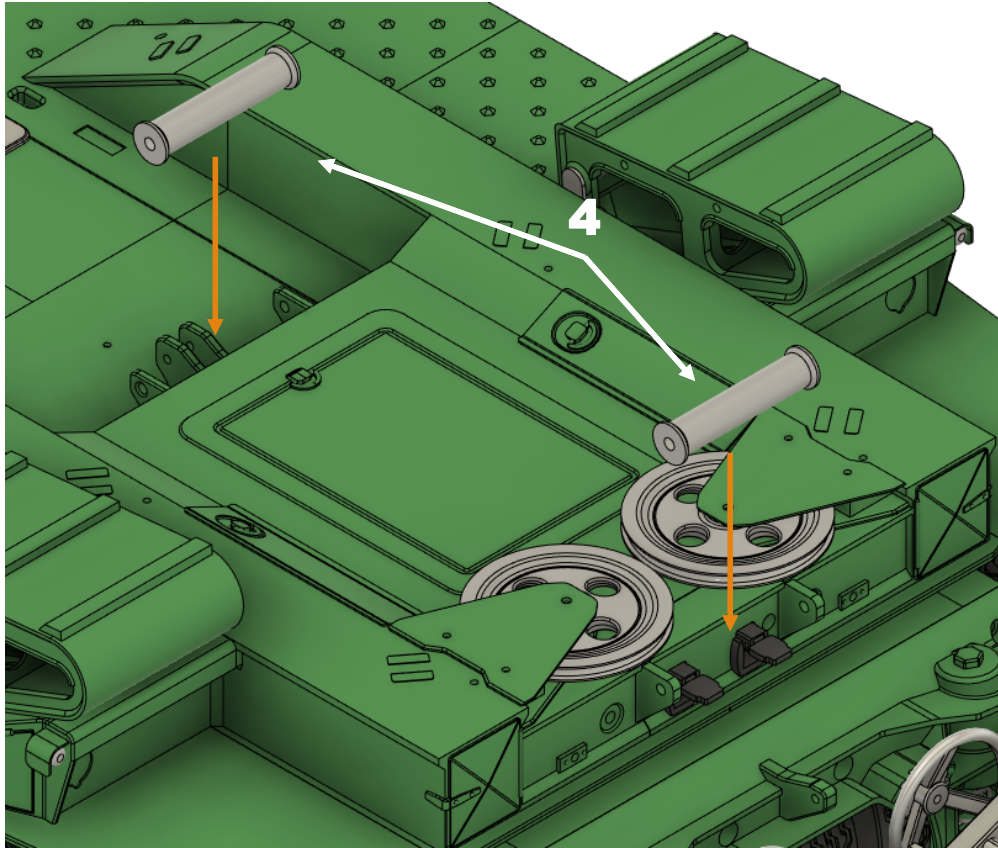
Accessories



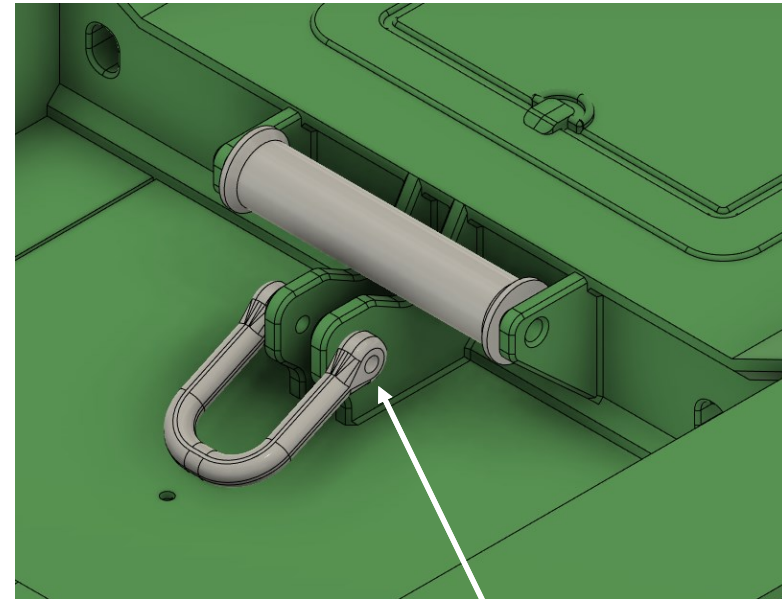
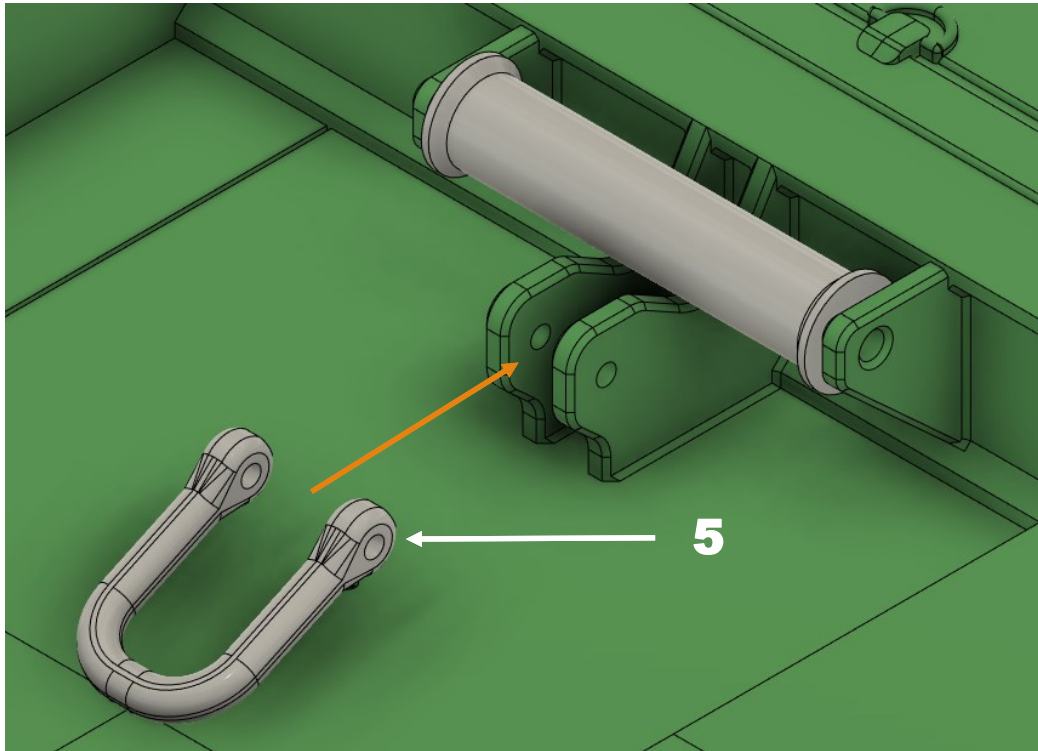
Accessories



Accessories

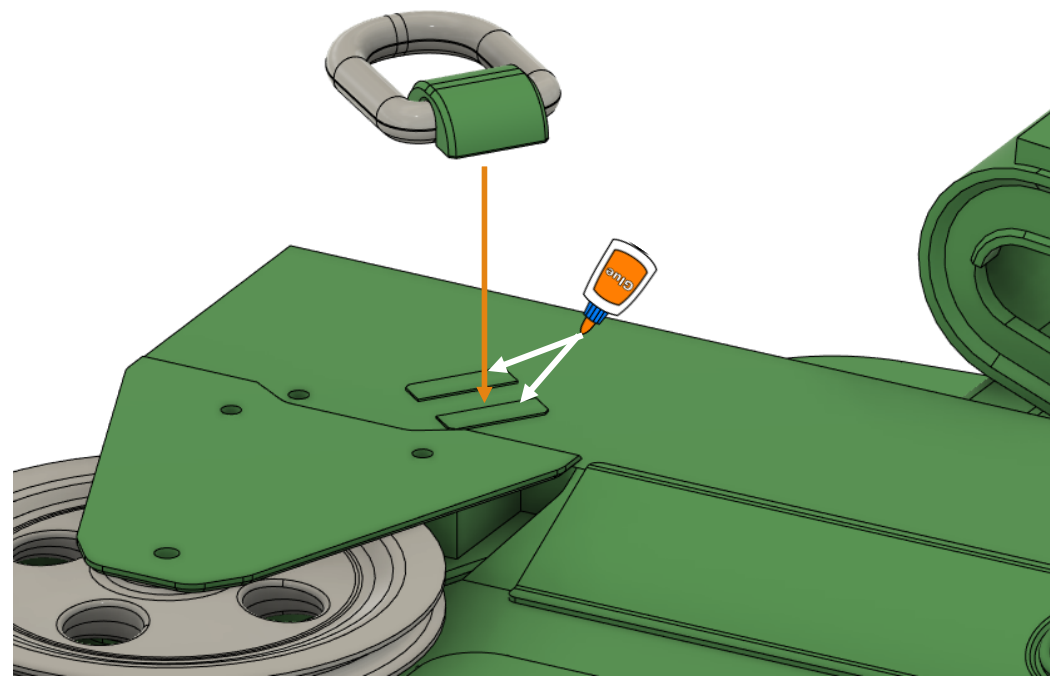
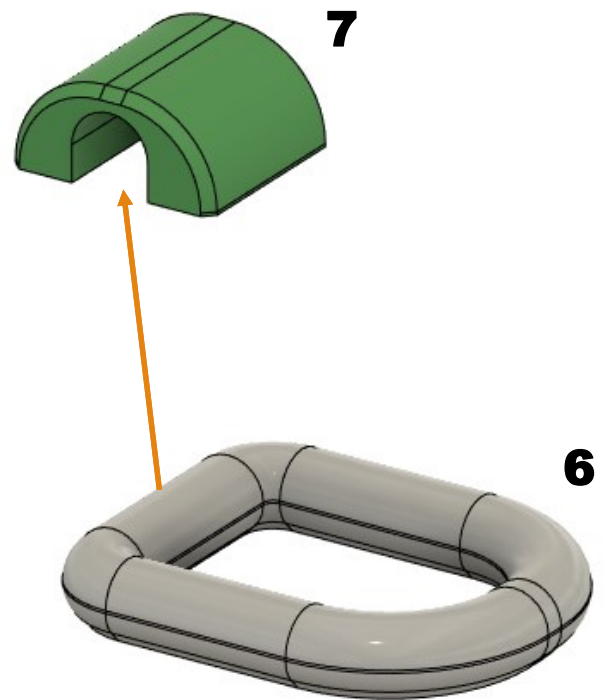


Accessories

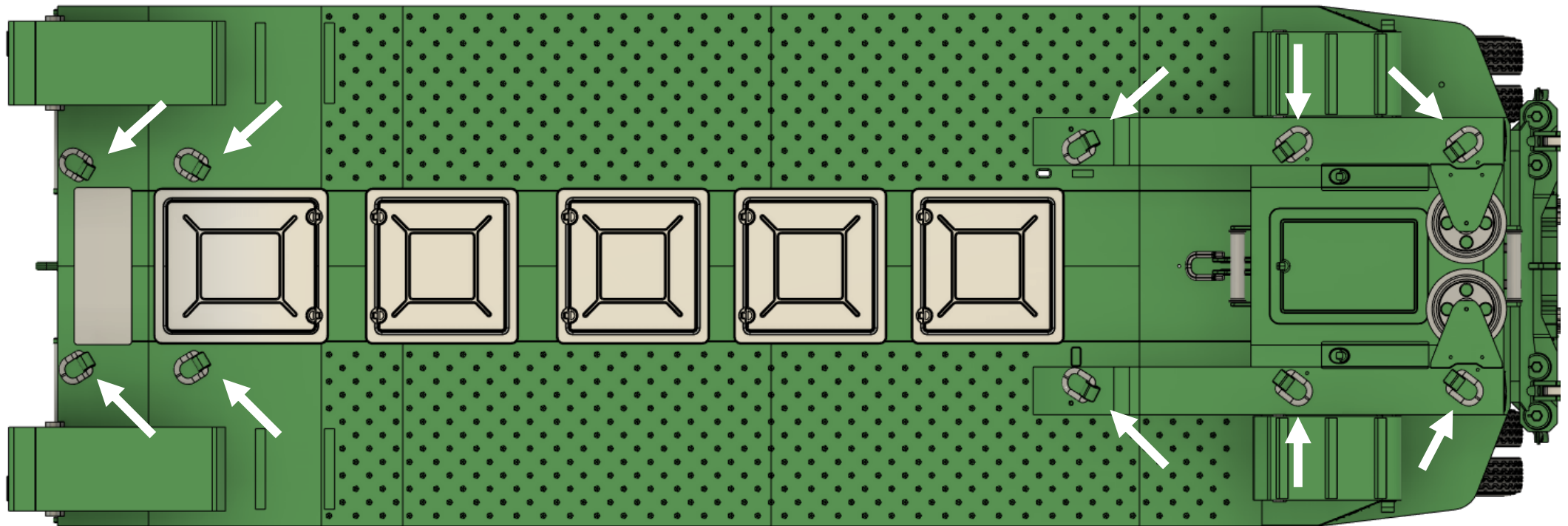


Brass wire 2x17mm.
Before falling out, secure with glue

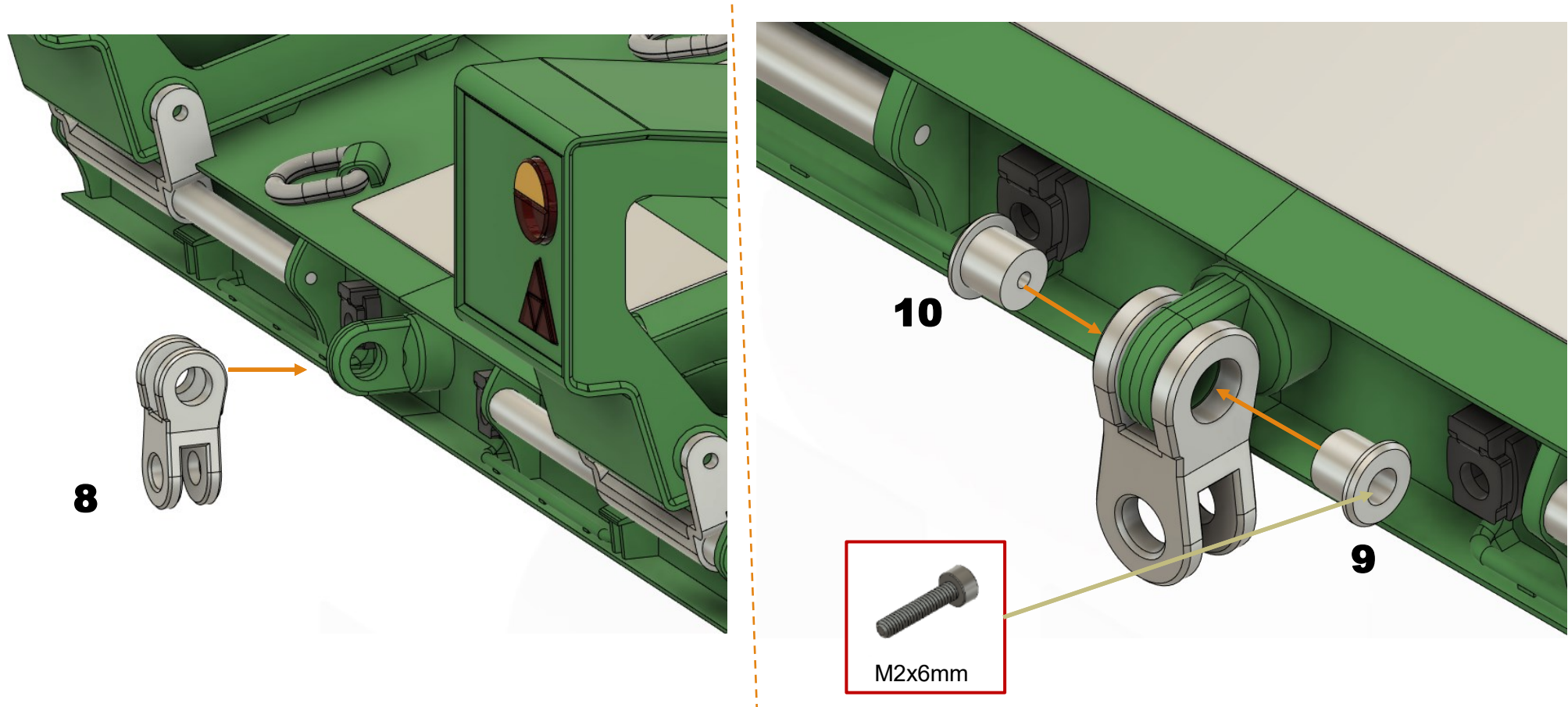
Accessories



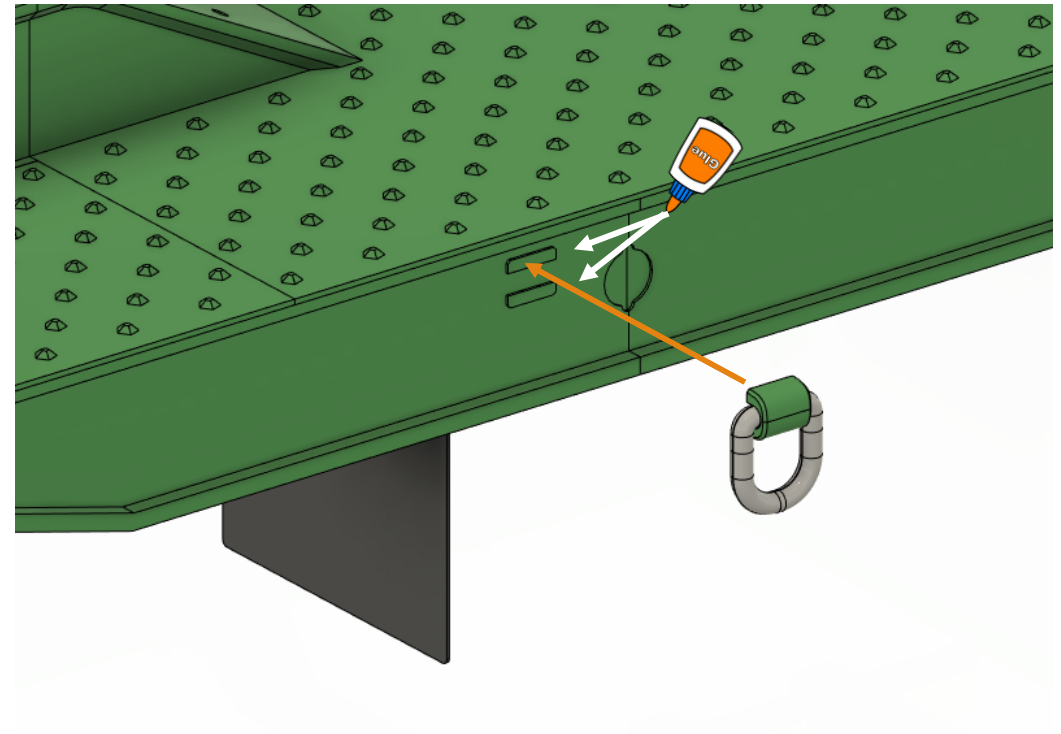
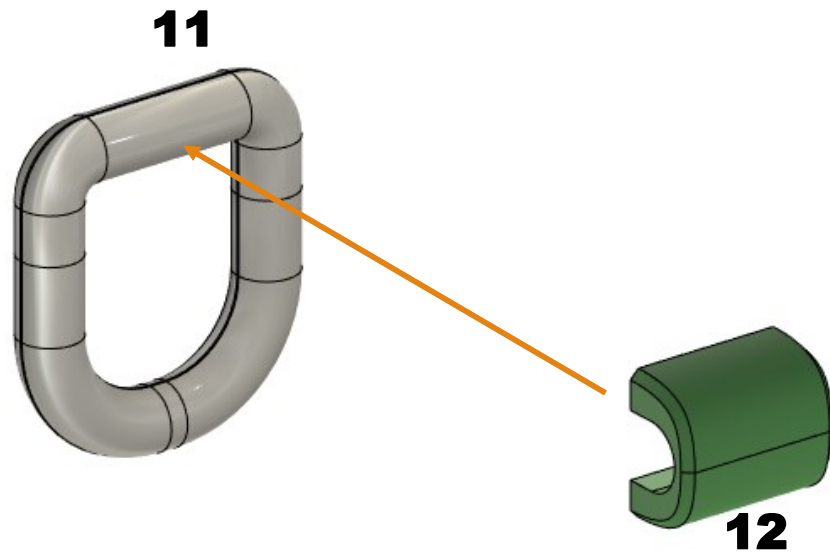
Accessories



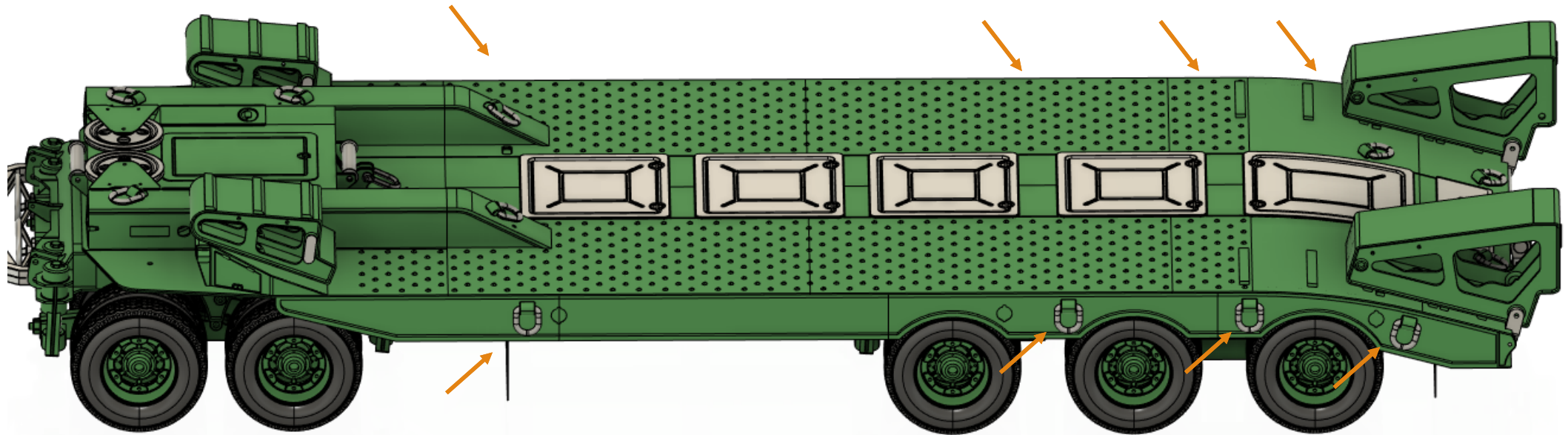
Accessories



Accessories



Accessories

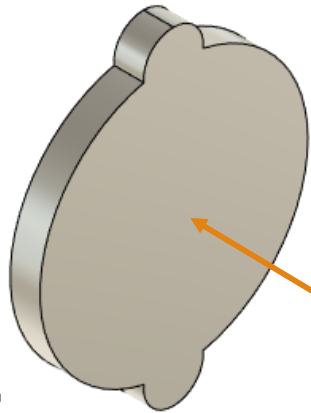


Accessories

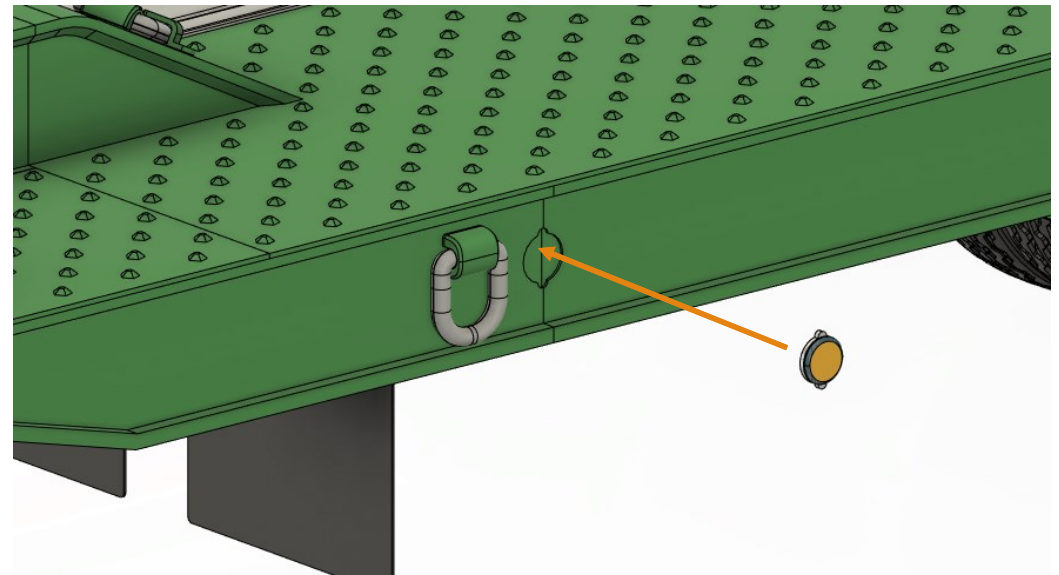
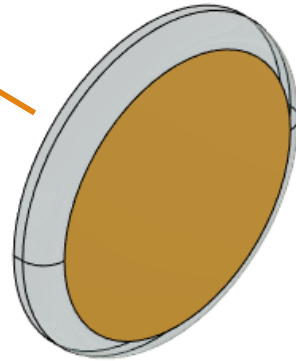


I recommend printing 87 parts from white filament

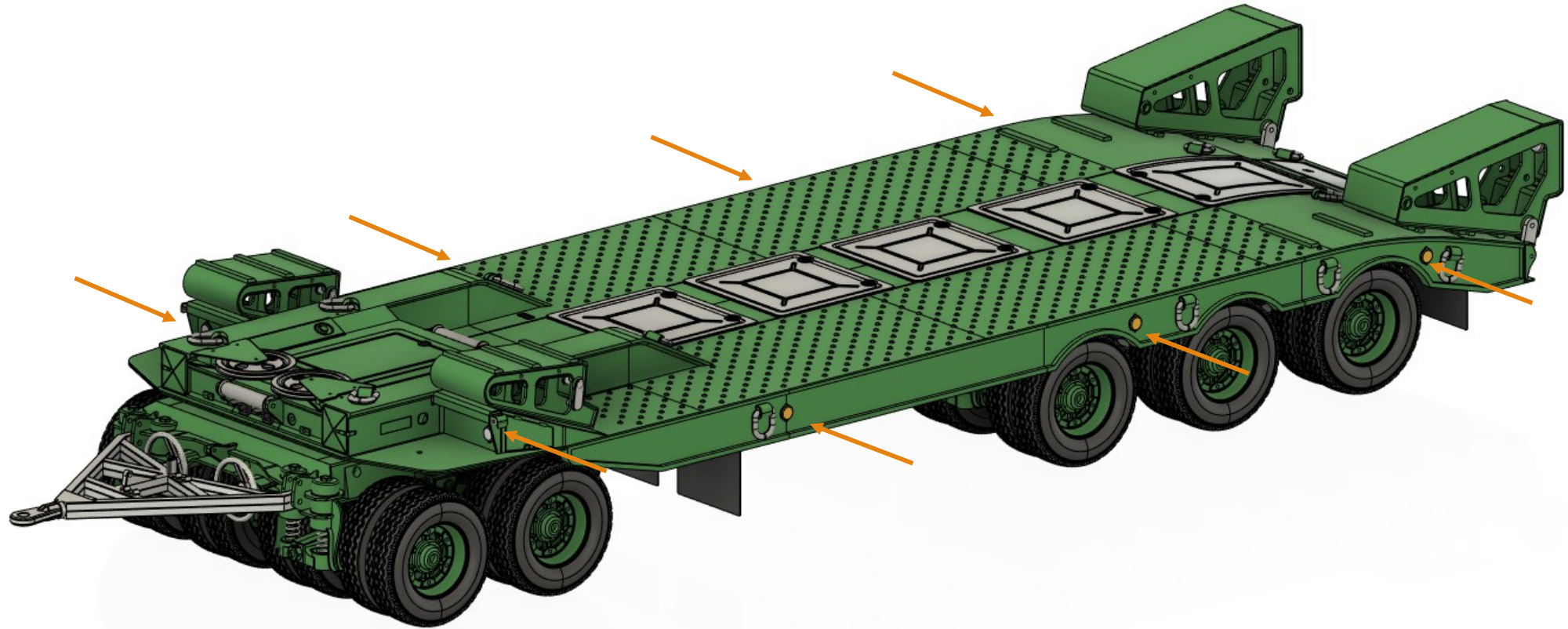
14



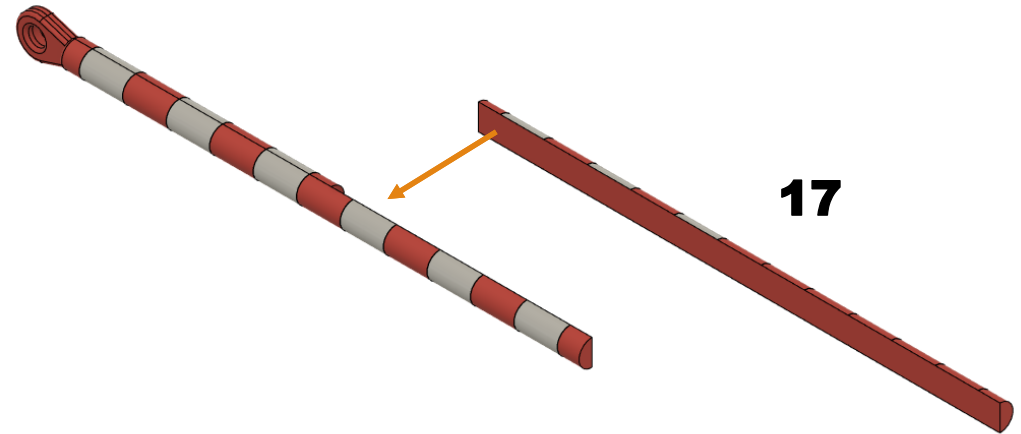
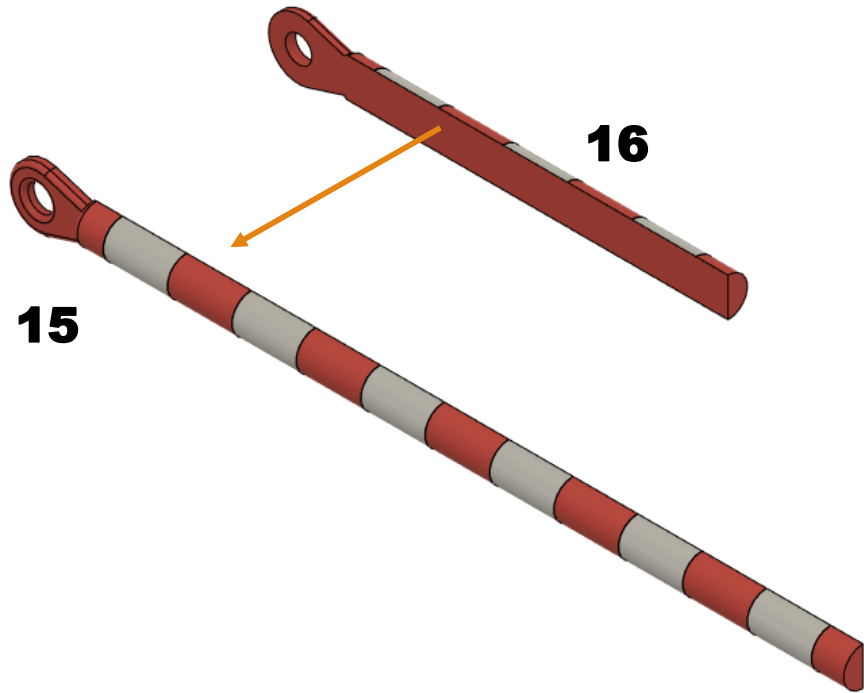
13



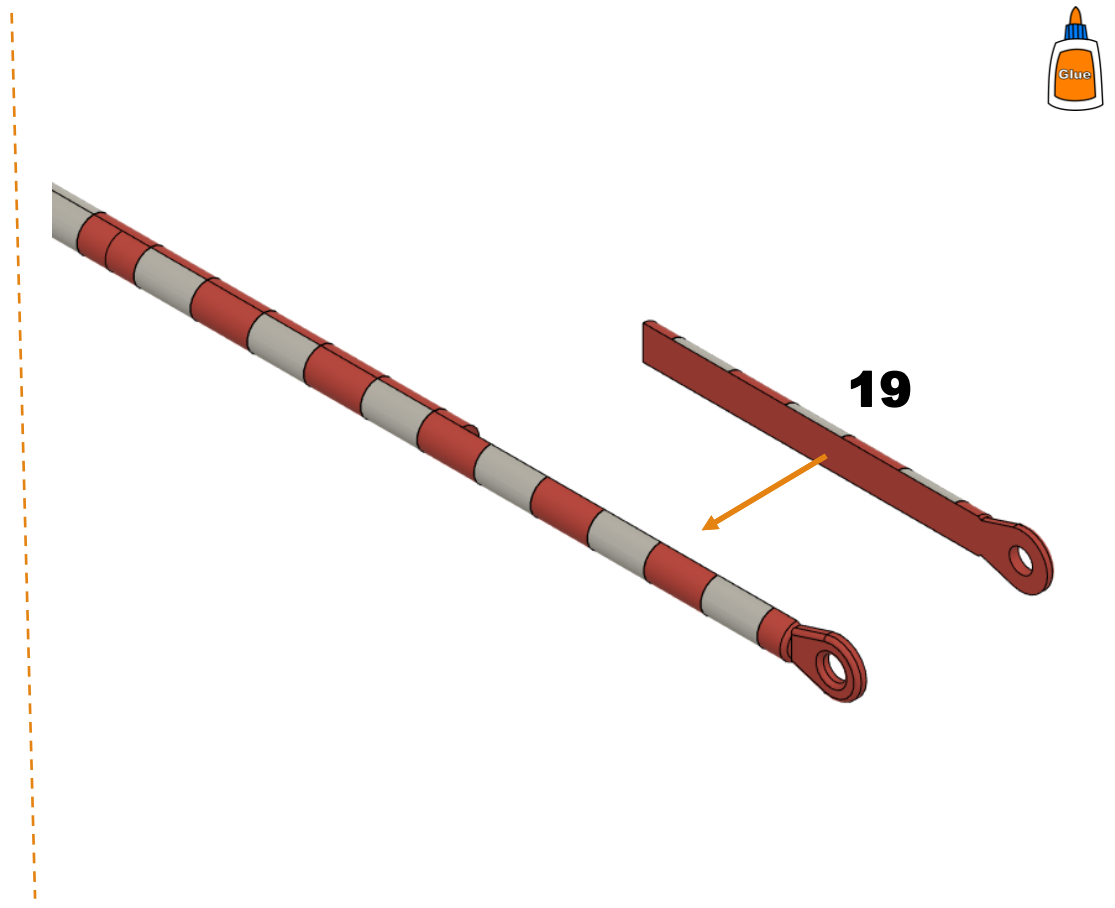
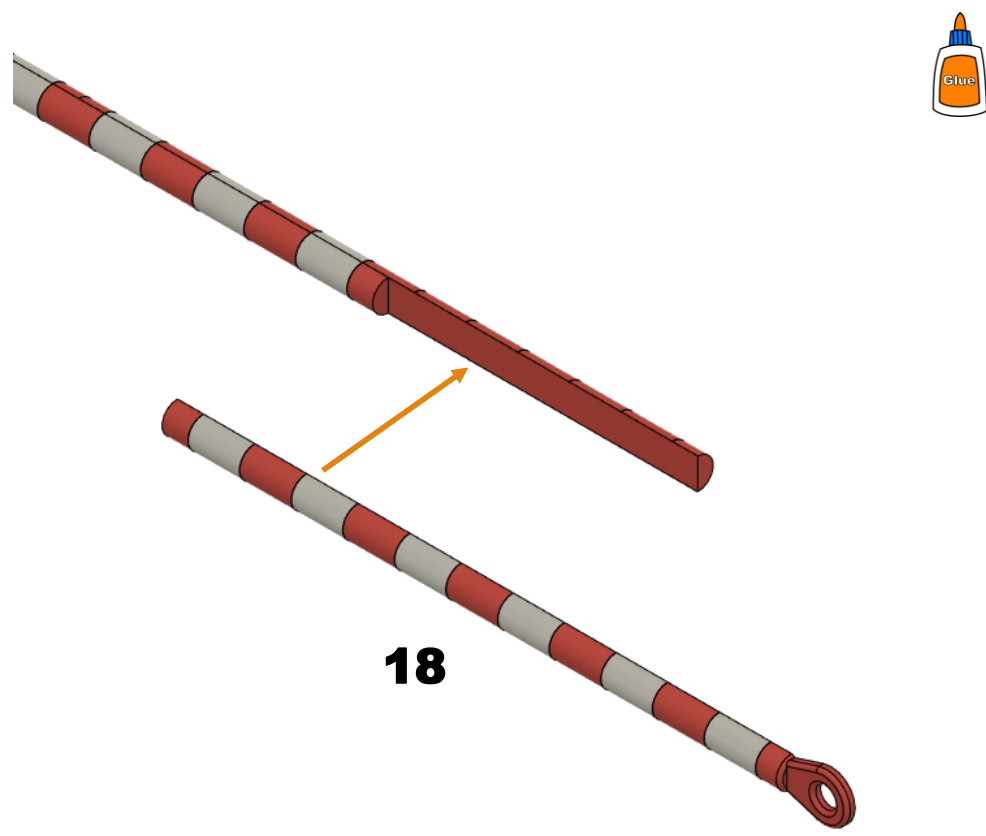
Accessories



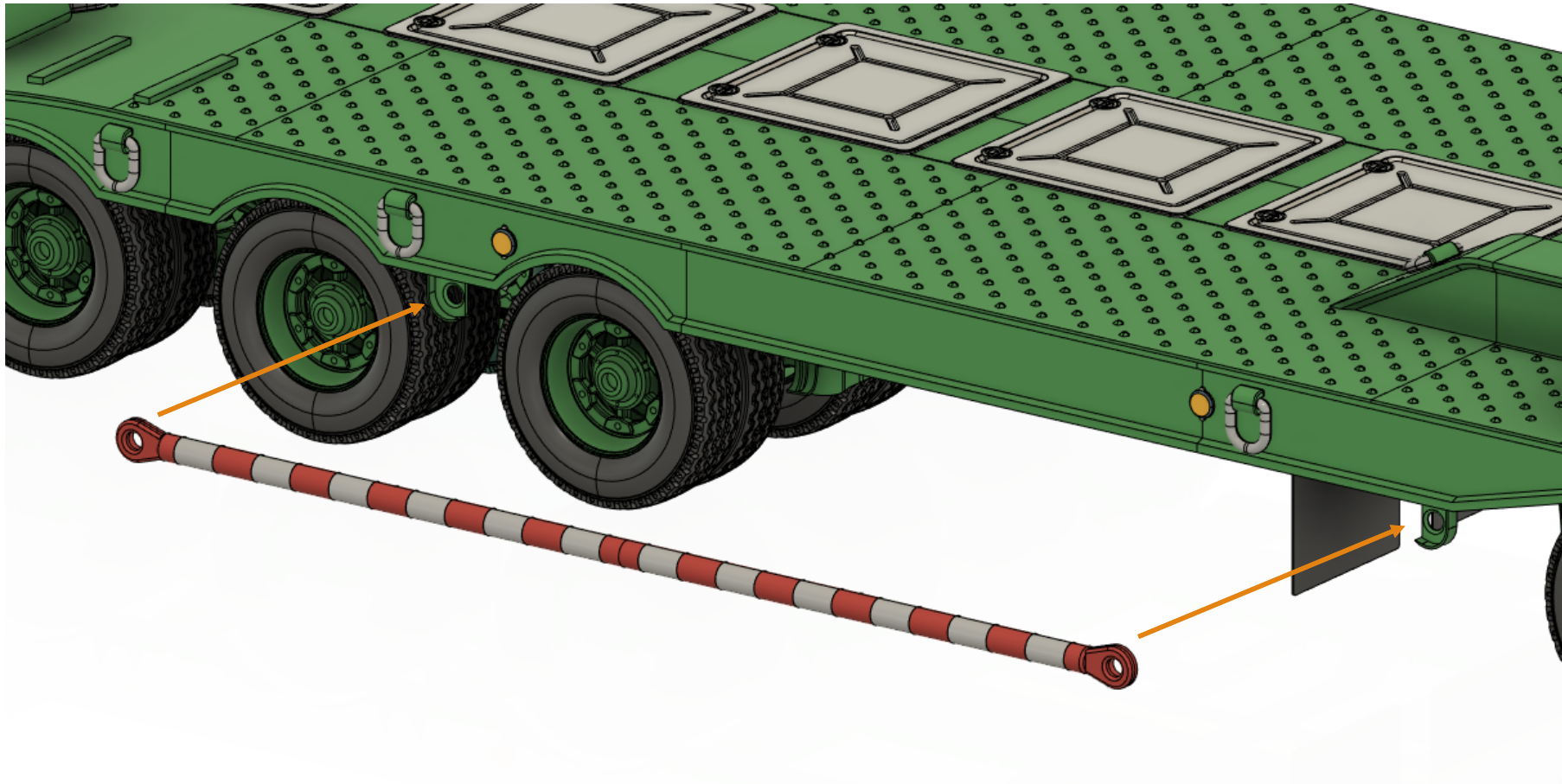
Accessories



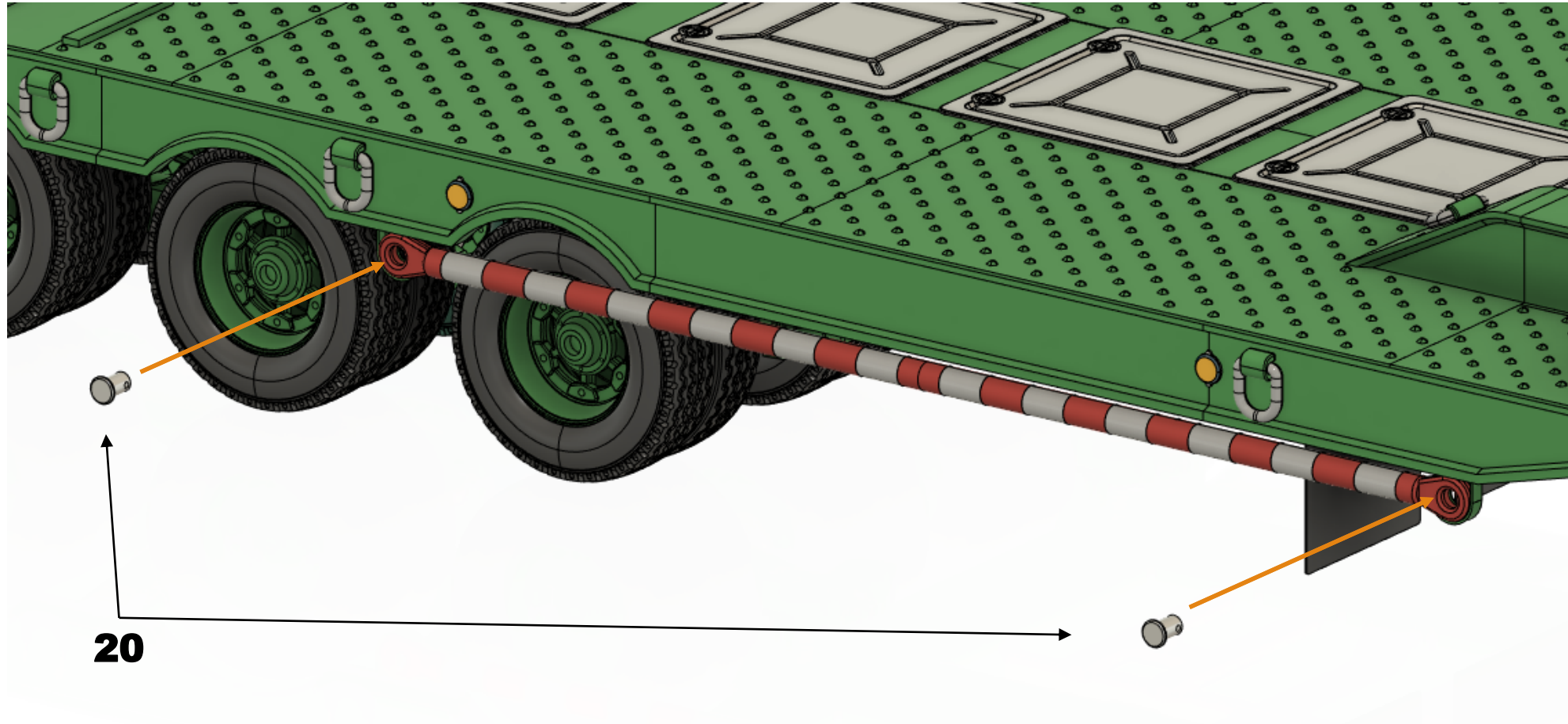
Accessories



Accessories

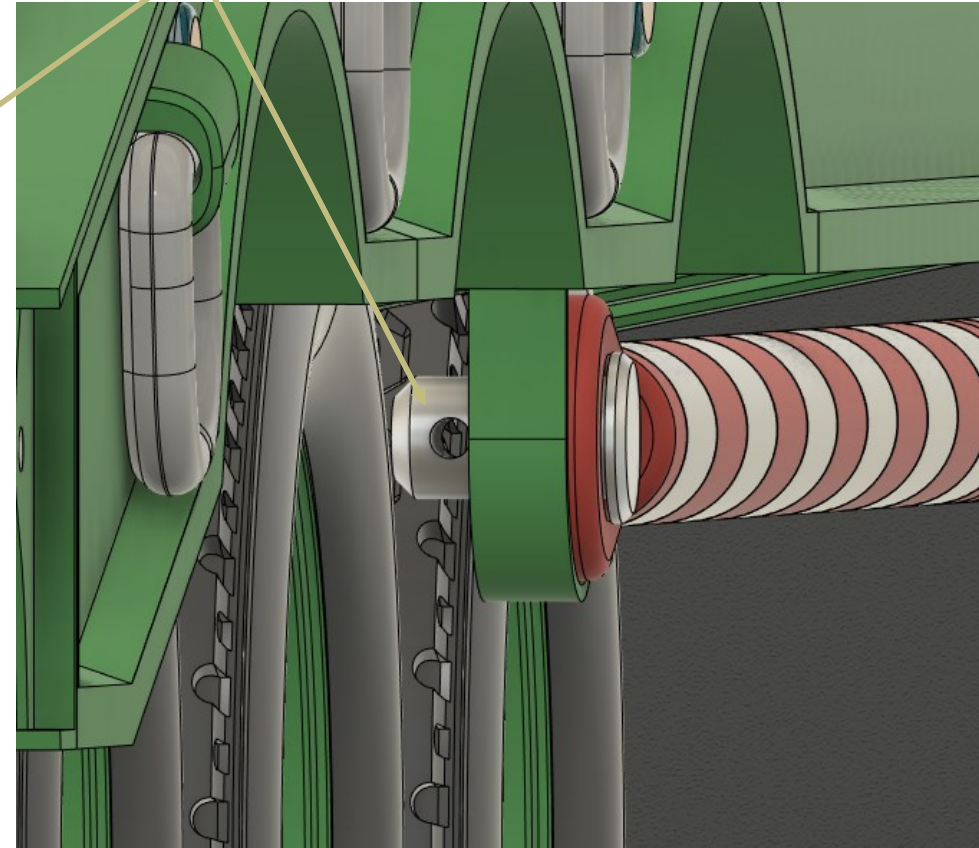
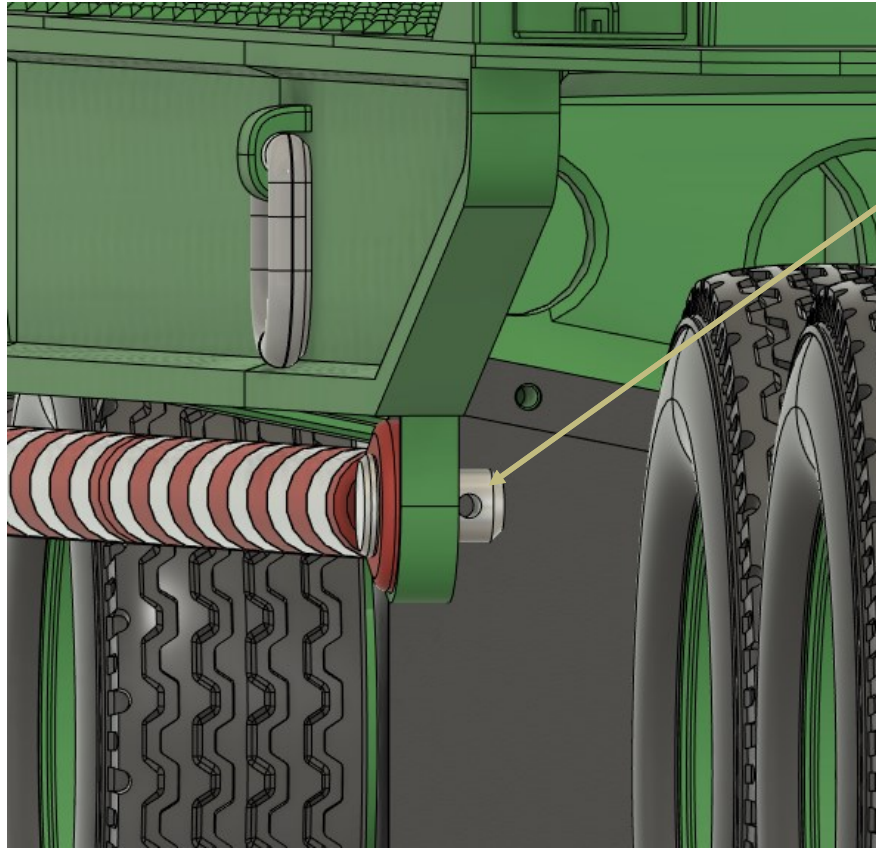


Accessories



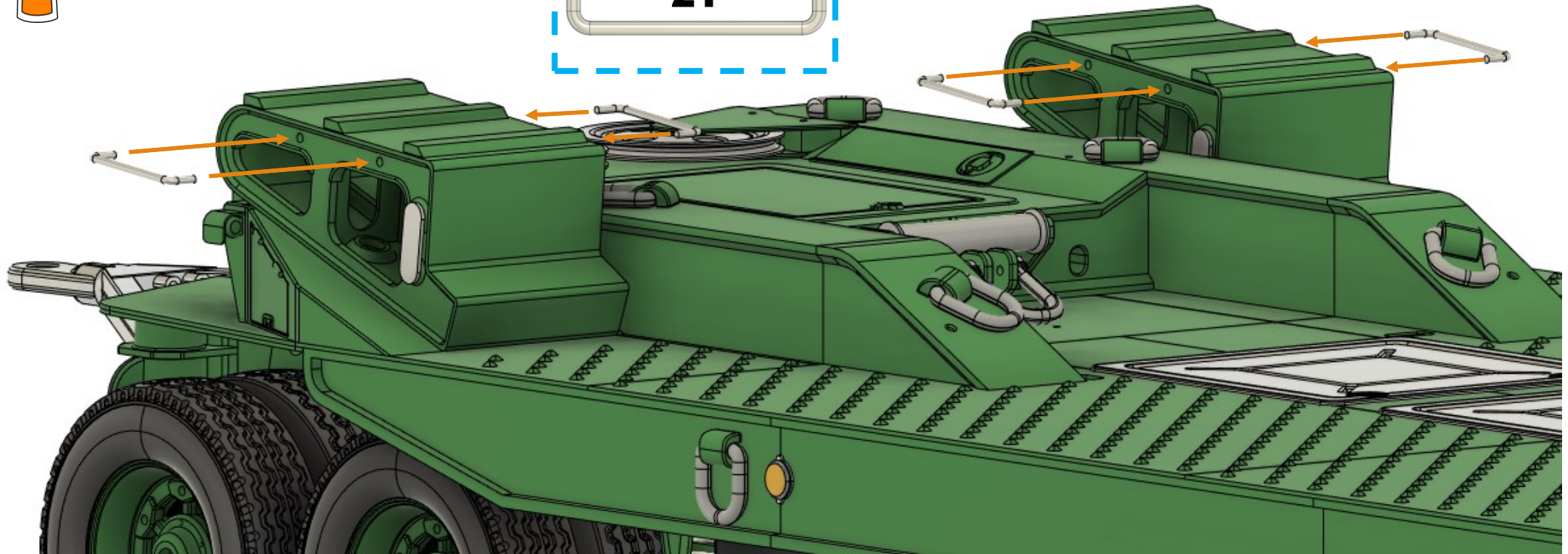
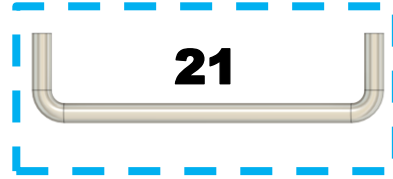
Accessories

Using a lighter, bend a piece of filament and secure parts against falling out.



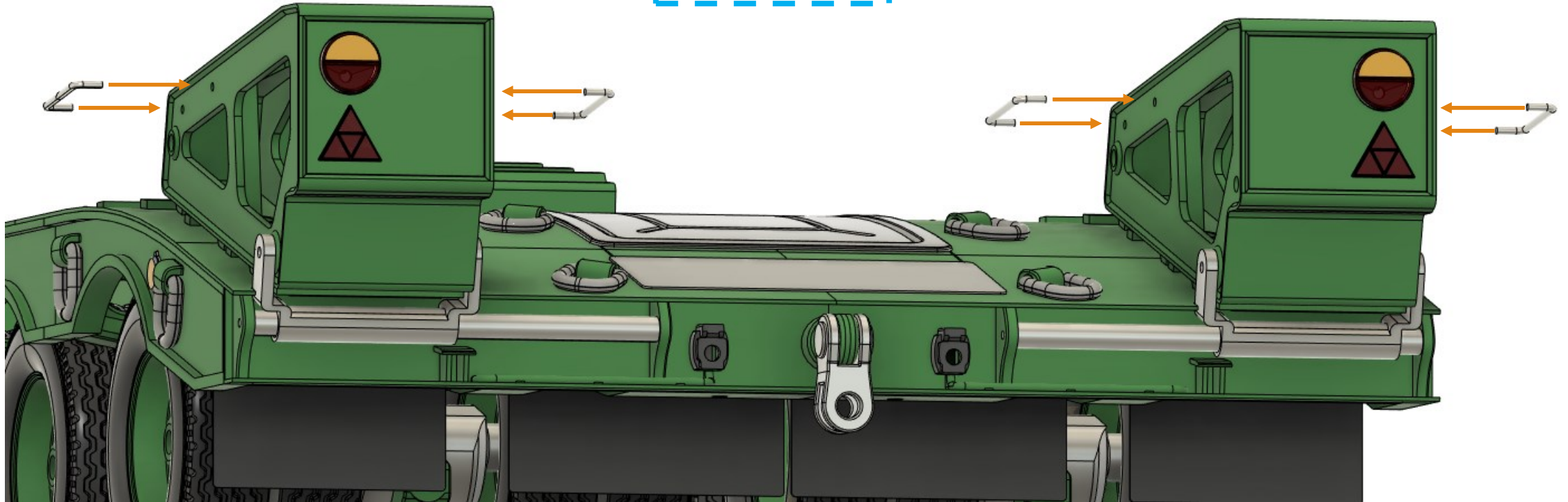
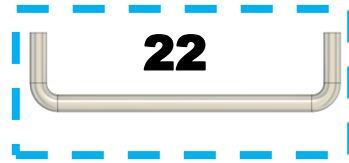
Accessories

From brass wire 2mm make raid handles.
You can print Part 21 as a template.

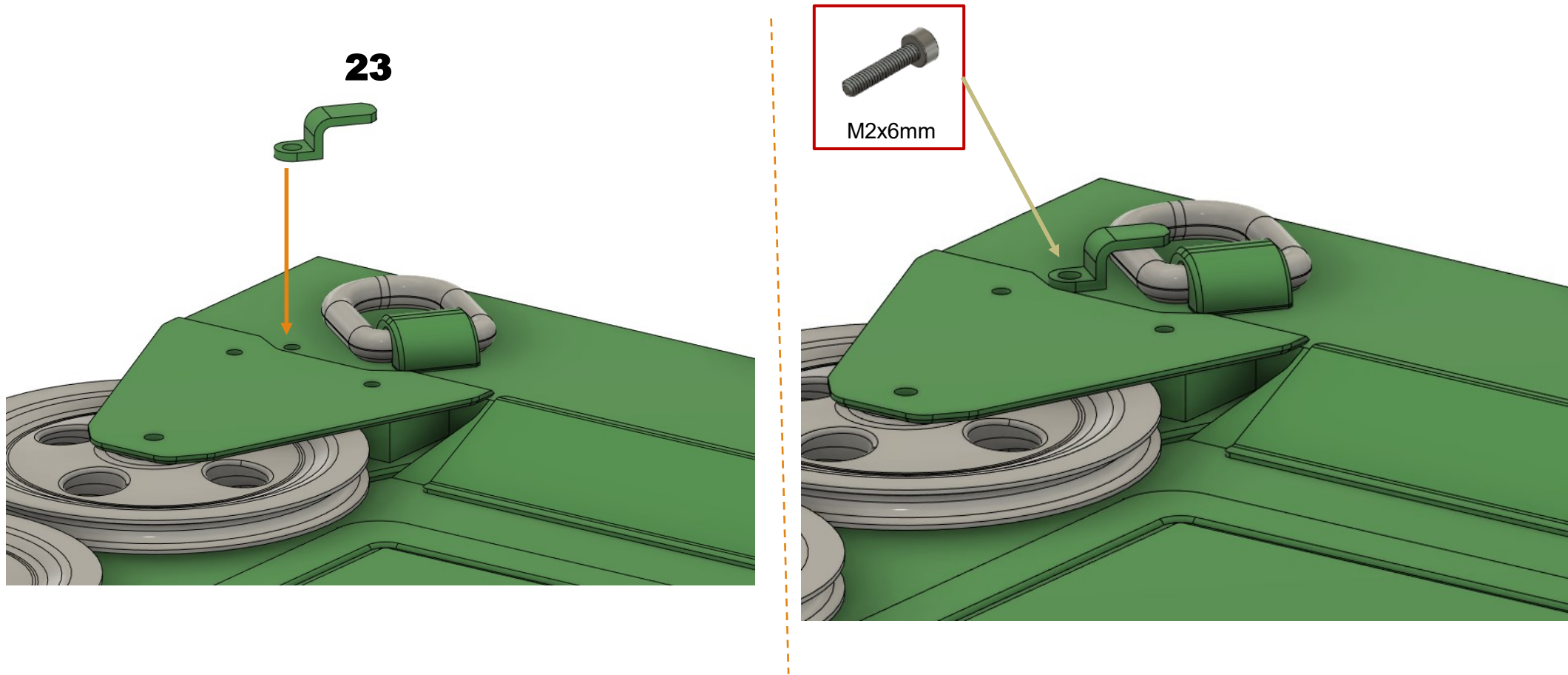


Accessories

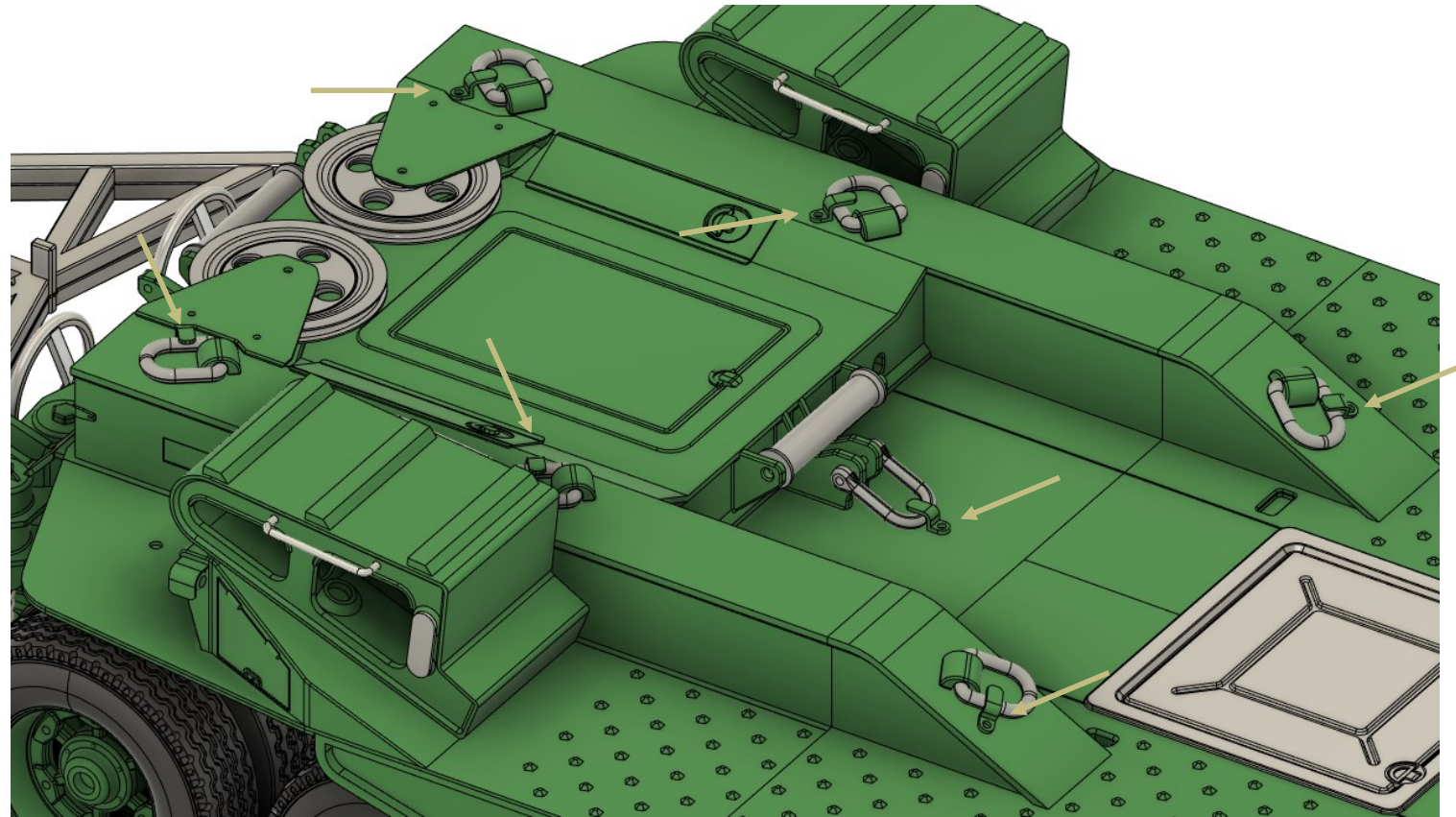
From brass wire 2mm make raid handles.
You can print Part 22 as a template.



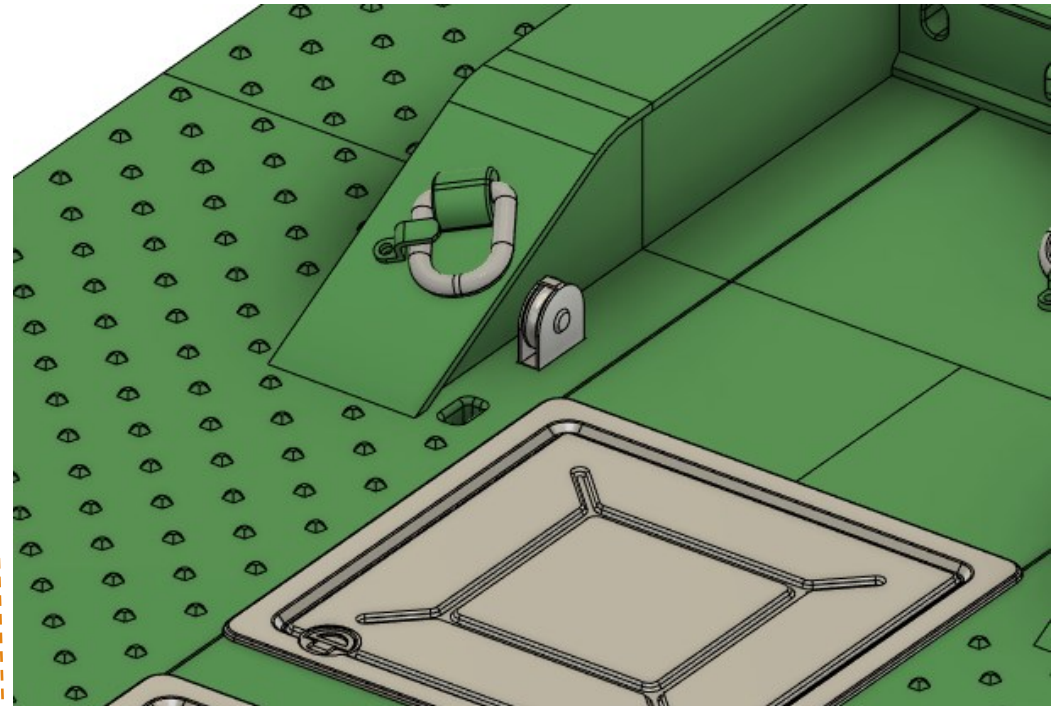
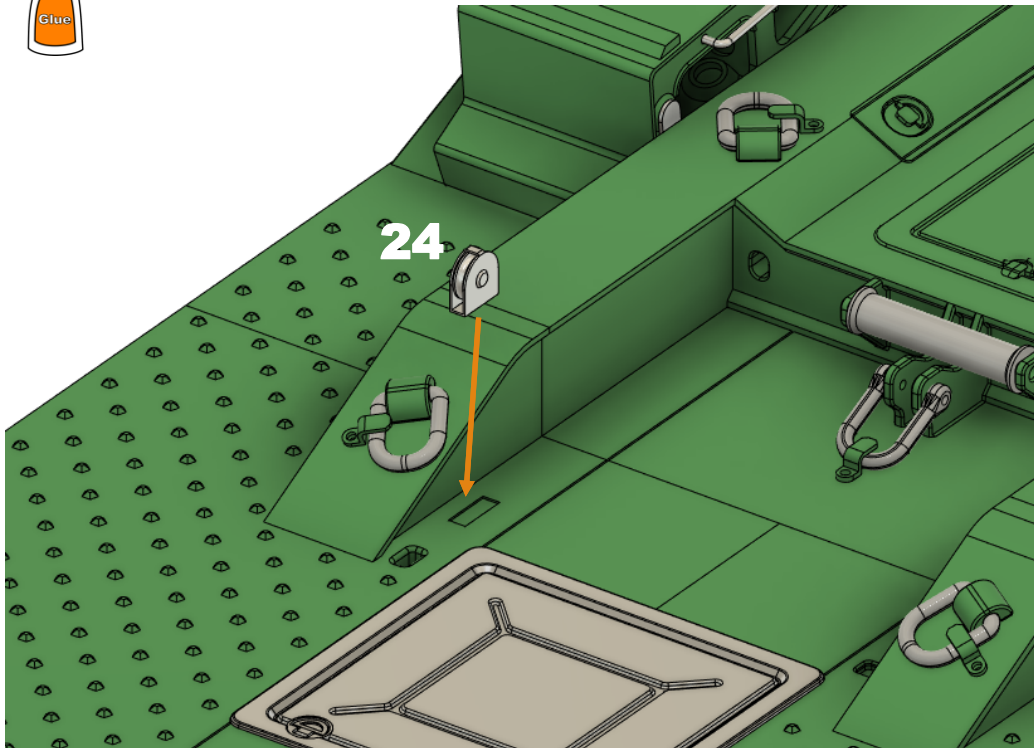
Accessories



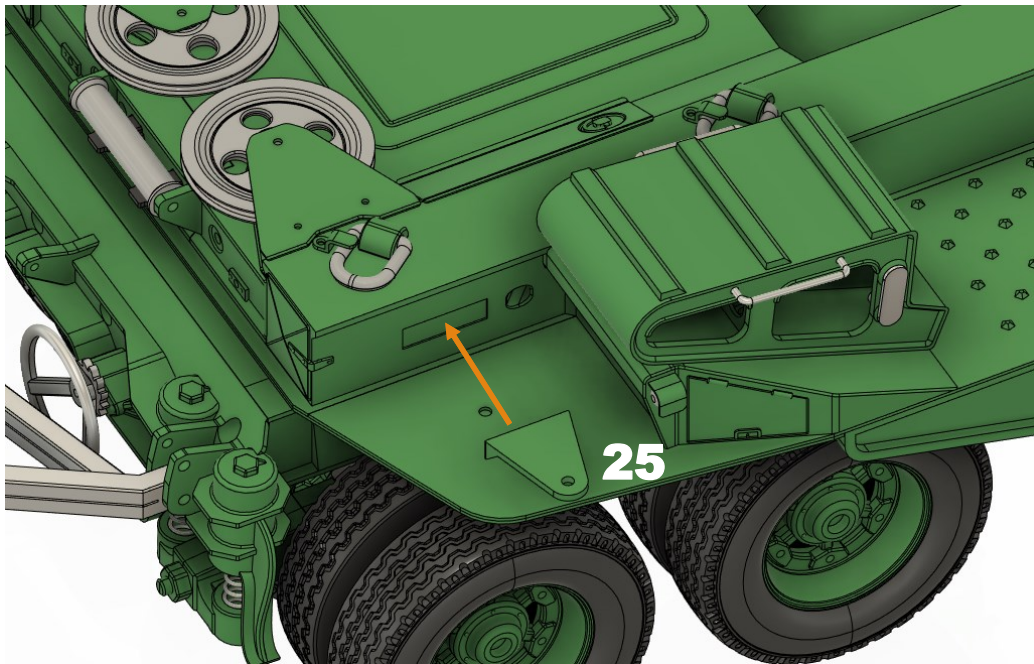
Accessories



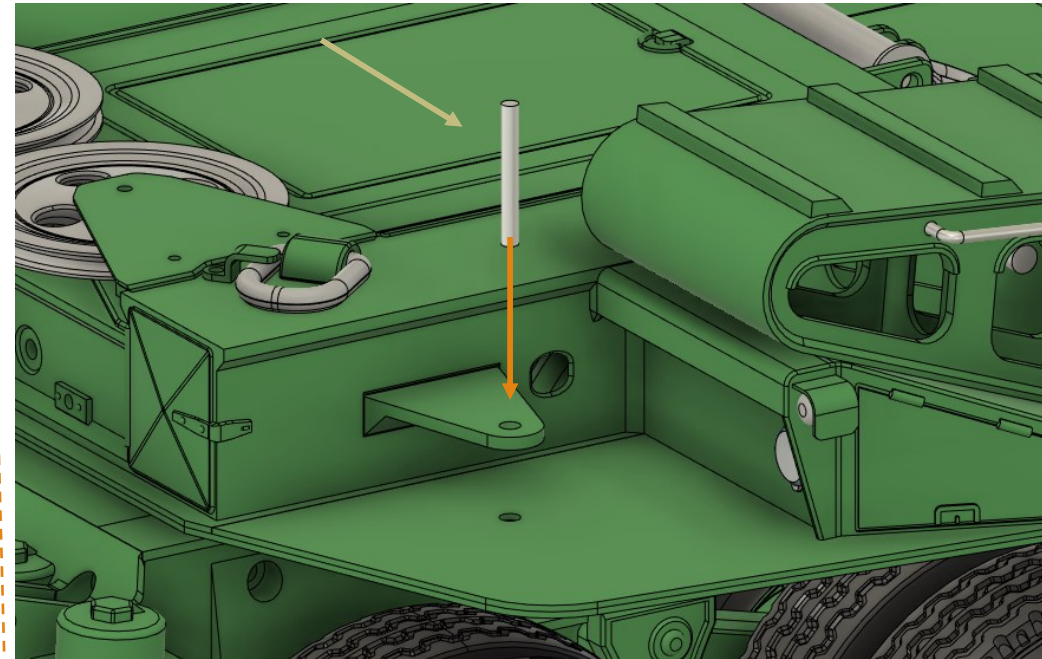
Accessories



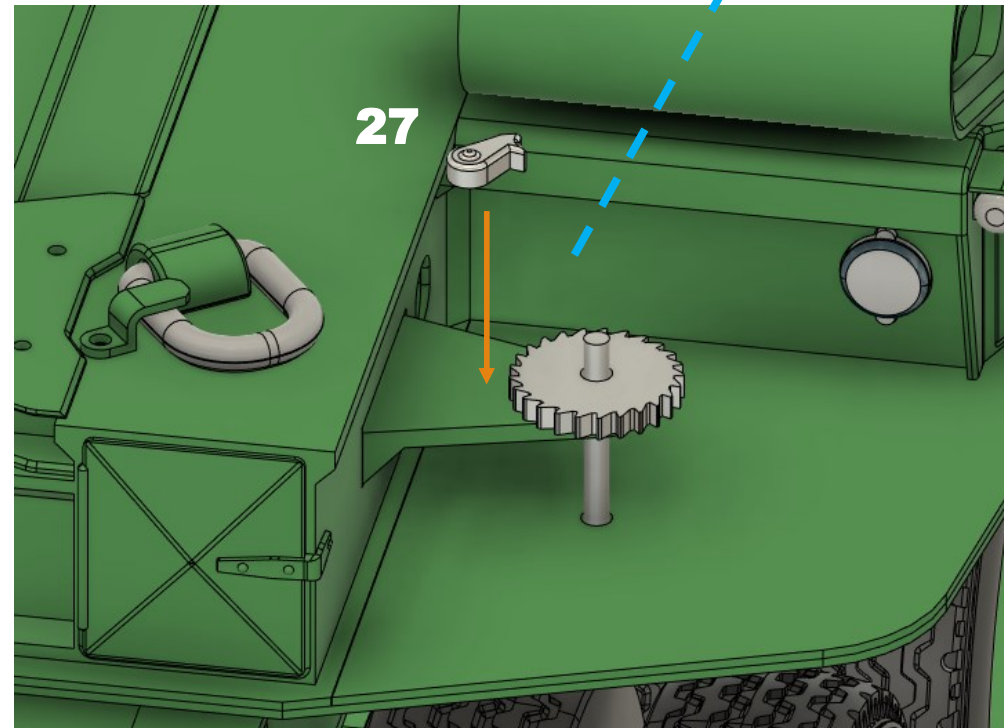
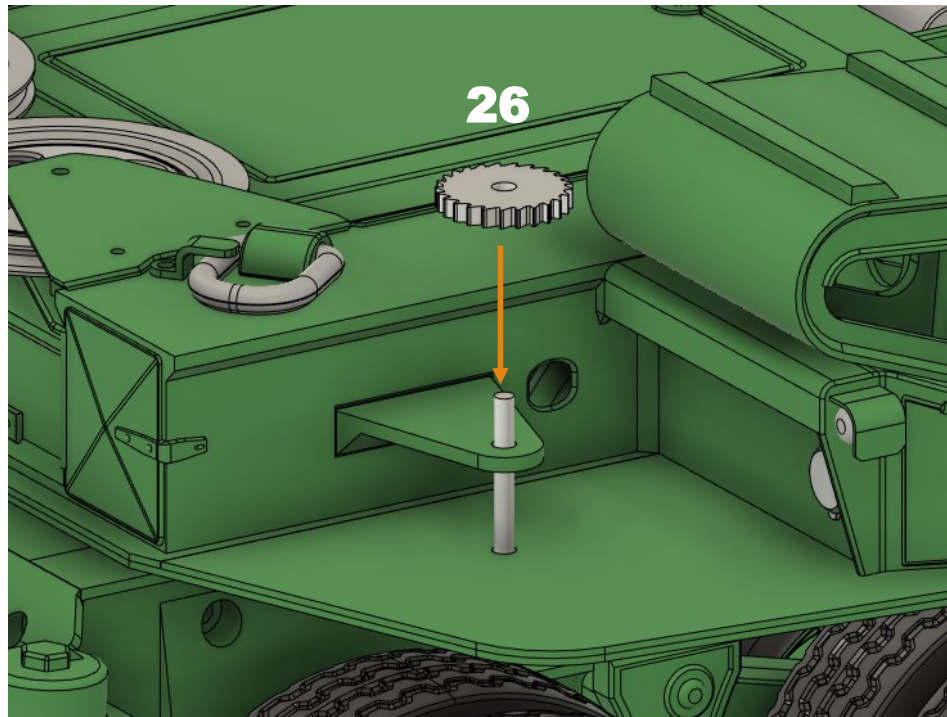
Accessories



Threaded rod M3x21mm

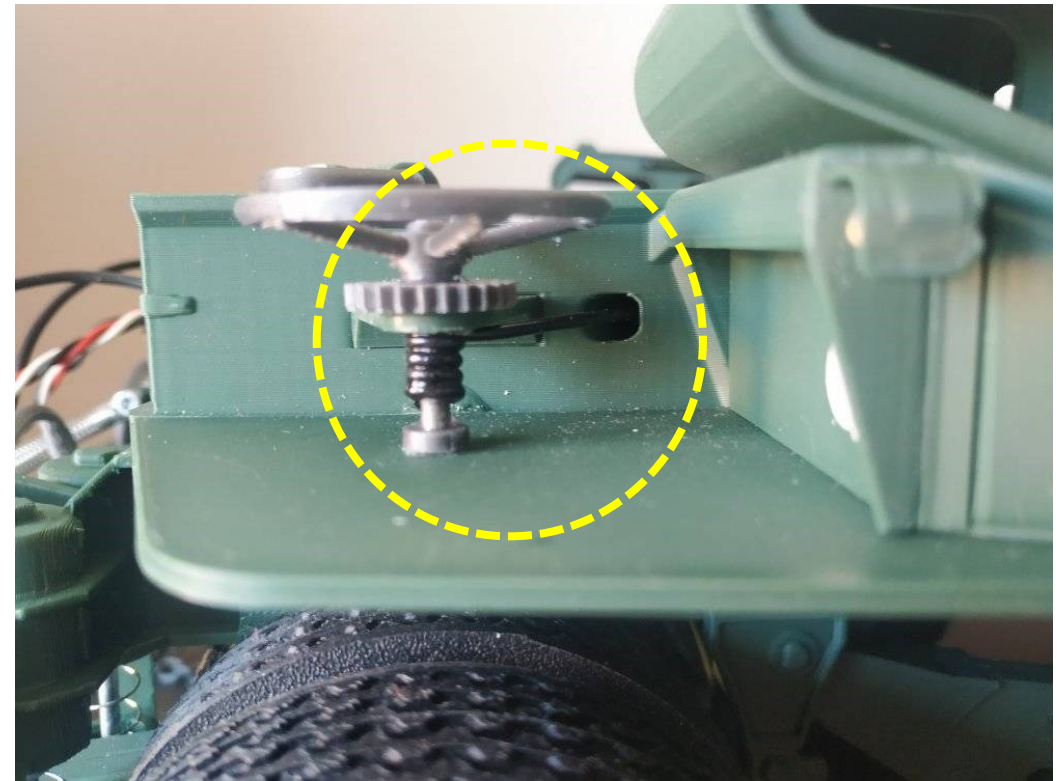
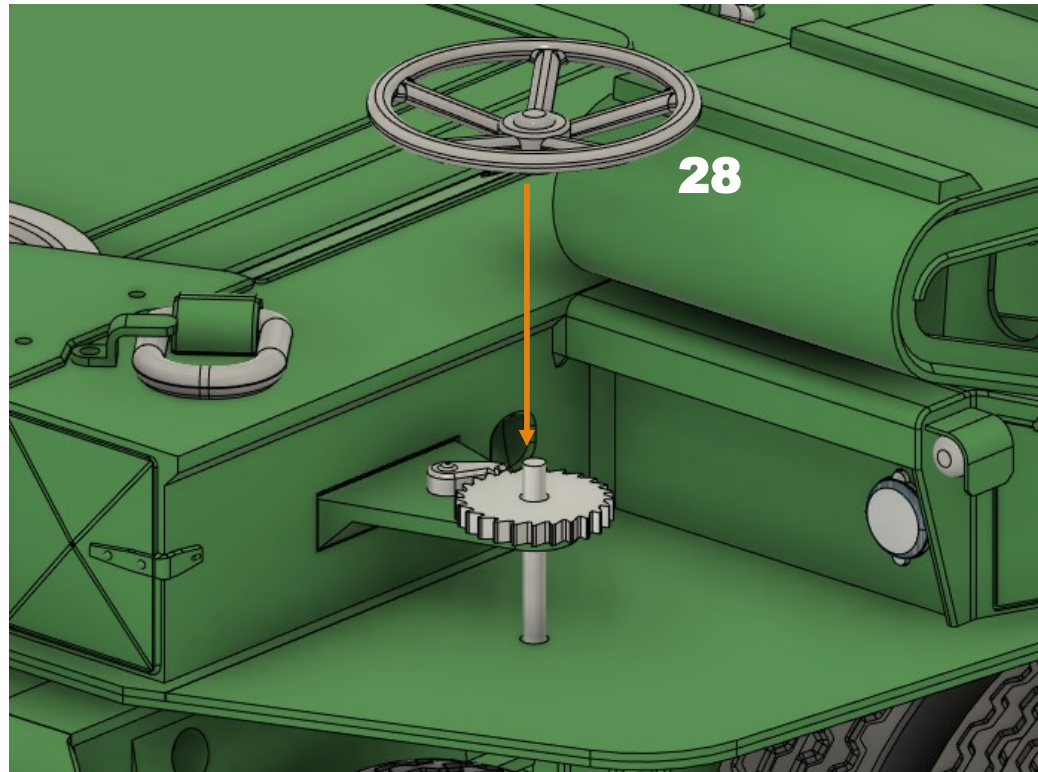


Accessories



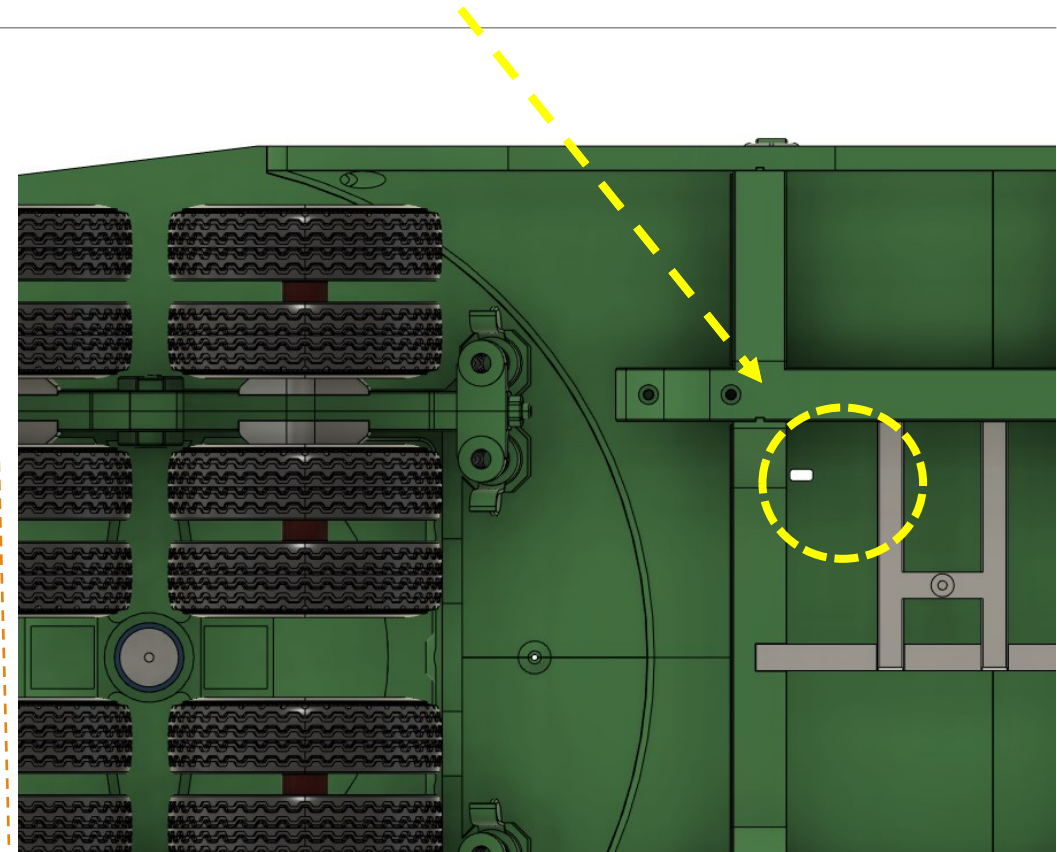
Accessories

Make a "rope" from flex filament or from a sufficiently flexible conductor.
Wrap the "rope" around the threaded rod and seal.
Push through the tunnel as in the pictures



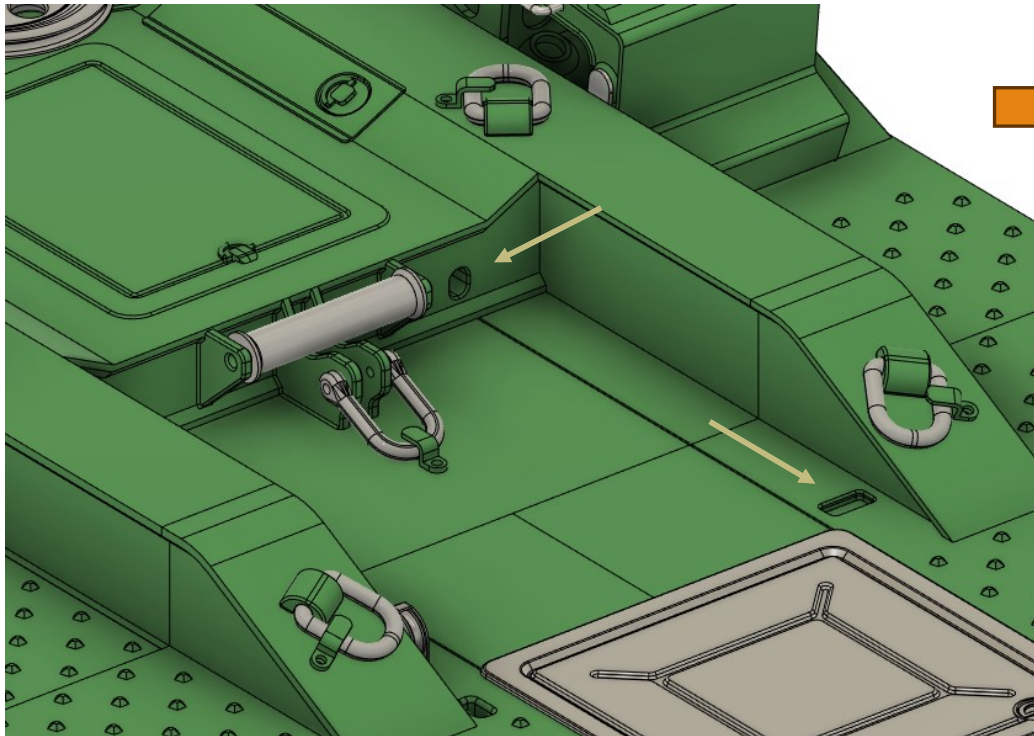
Accessories

Terminate the "rope" and glue it in the place shown in the picture



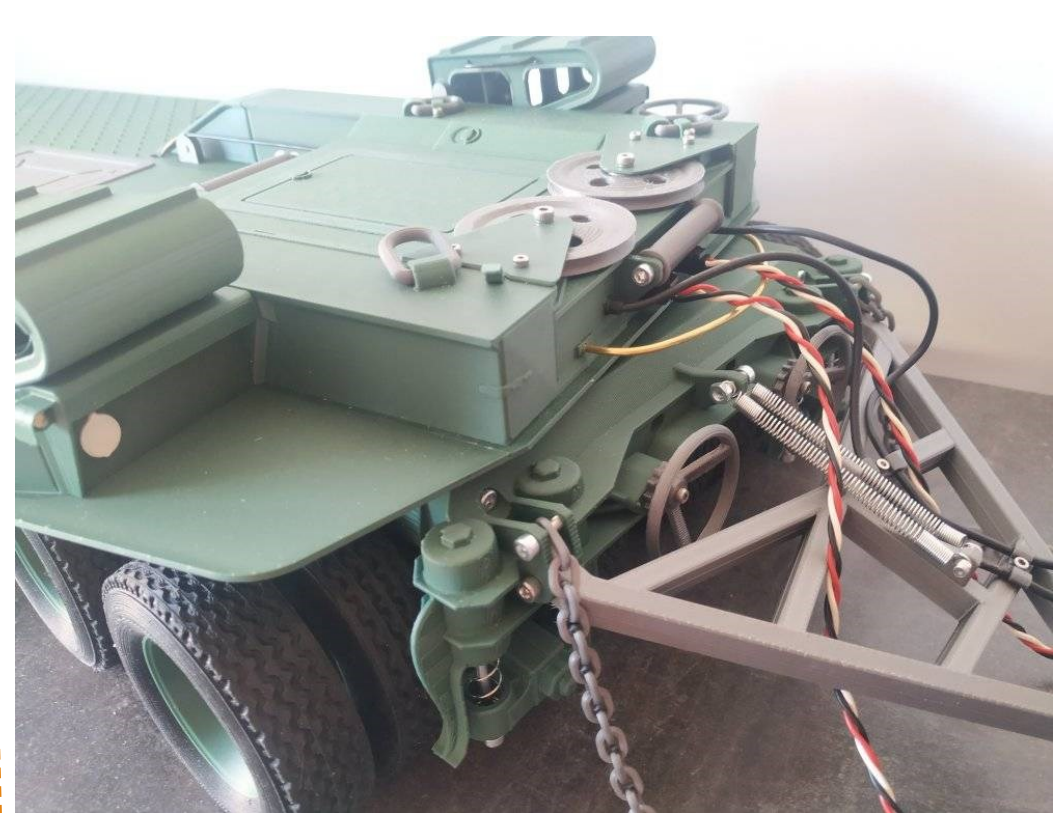
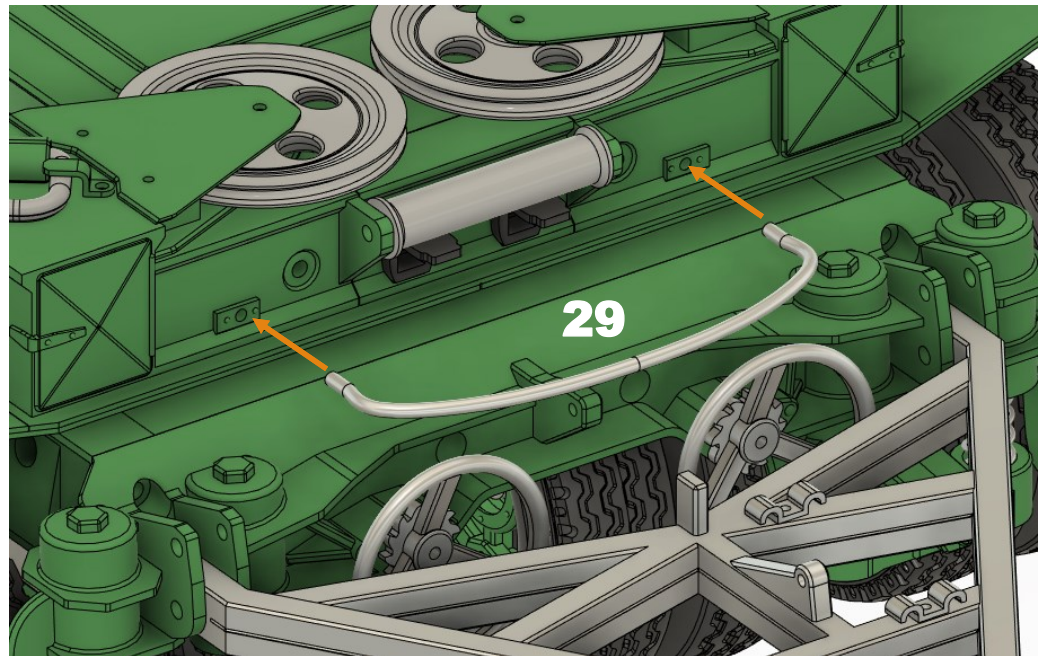
Accessories

From brass wire 2mm or filament produce air ducts.

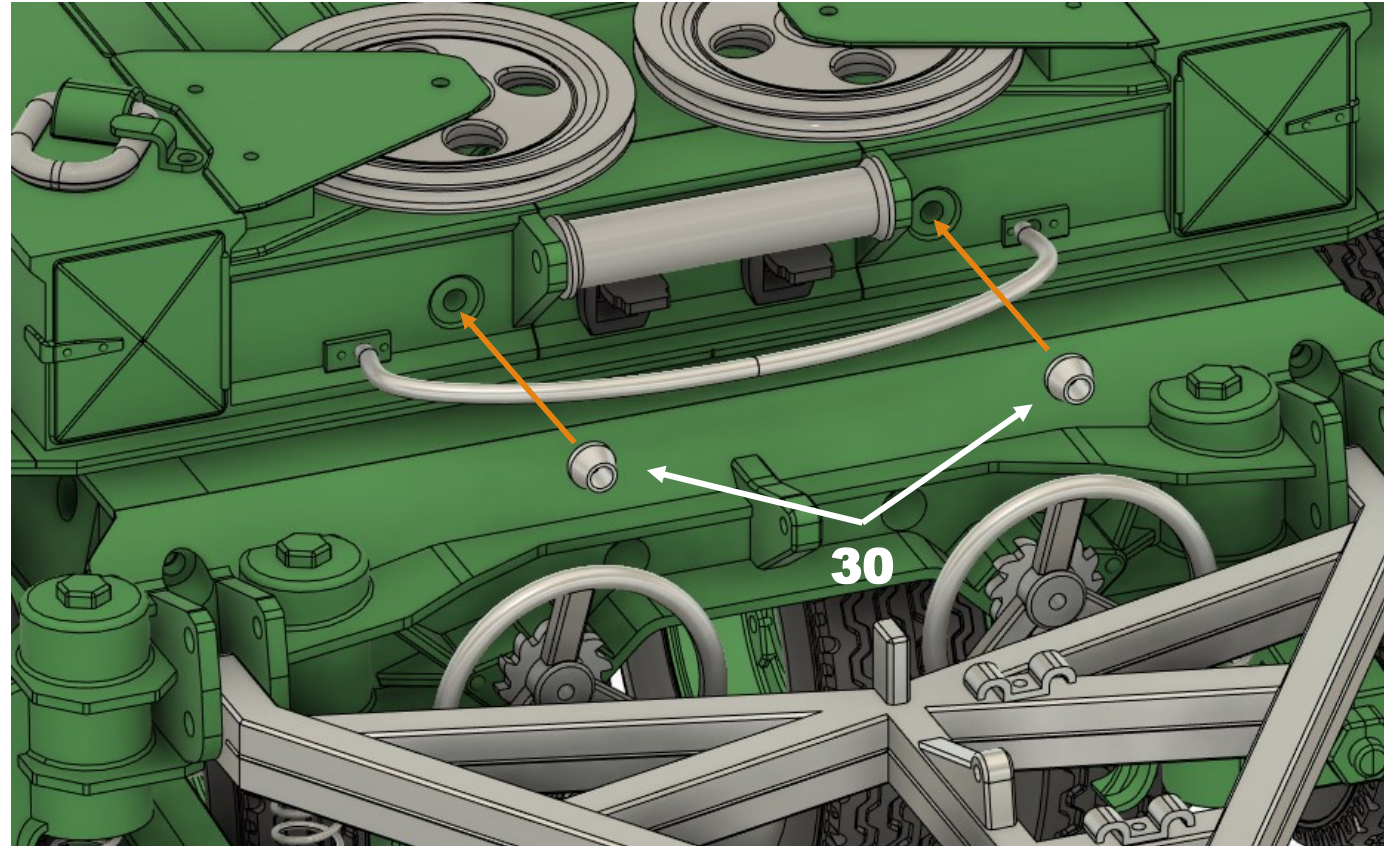


Accessories

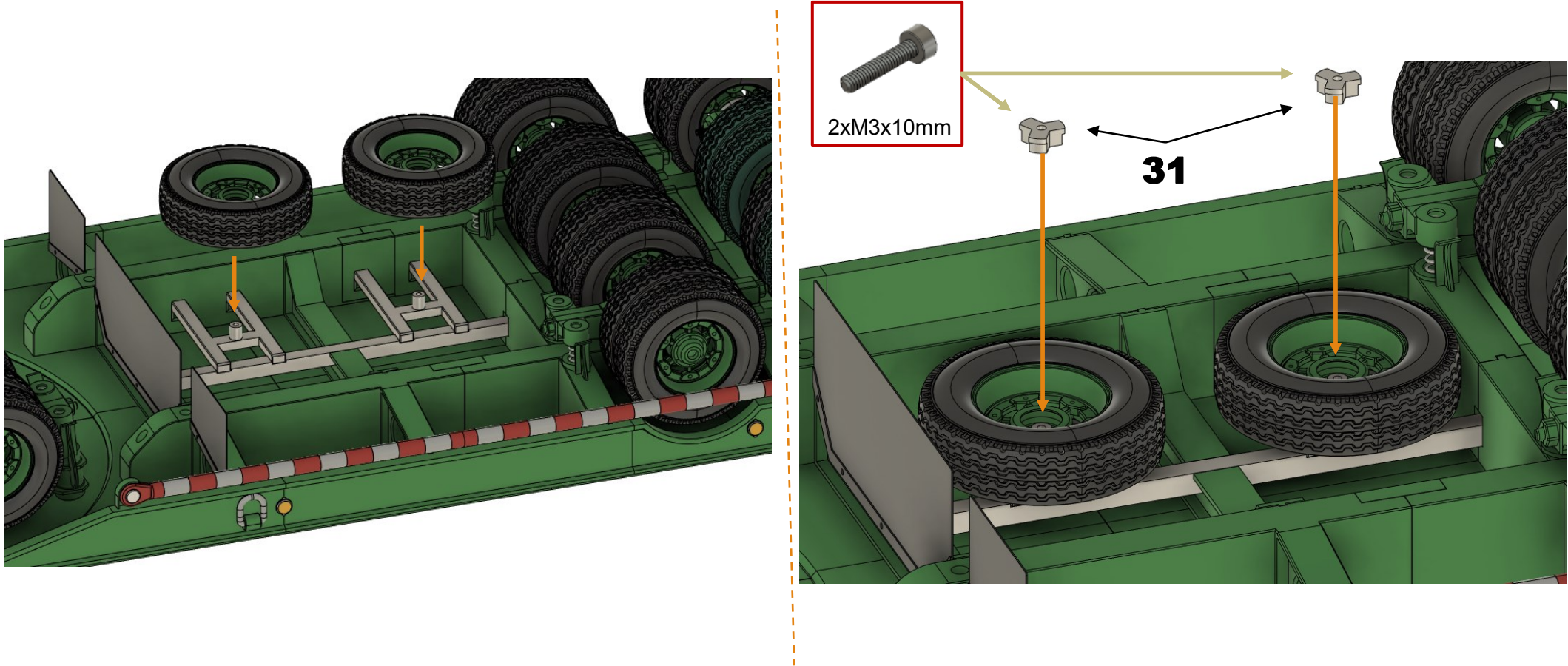
From brass wire 2mm make part 29.
You can print Part 29 as a template.



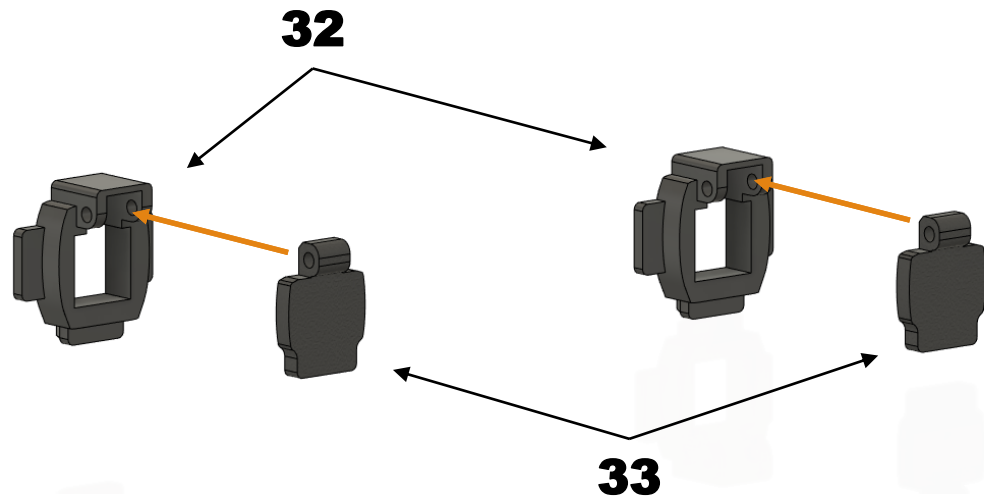
Accessories



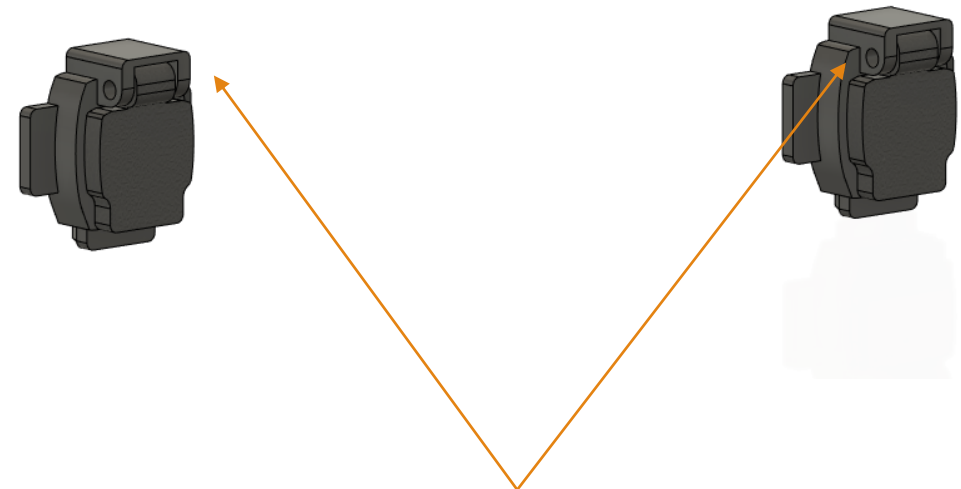
Accessories



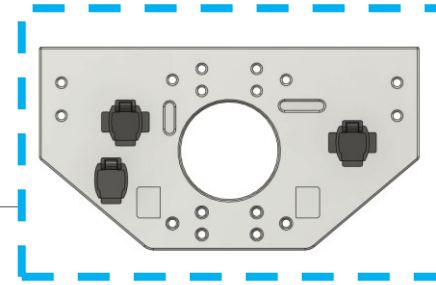
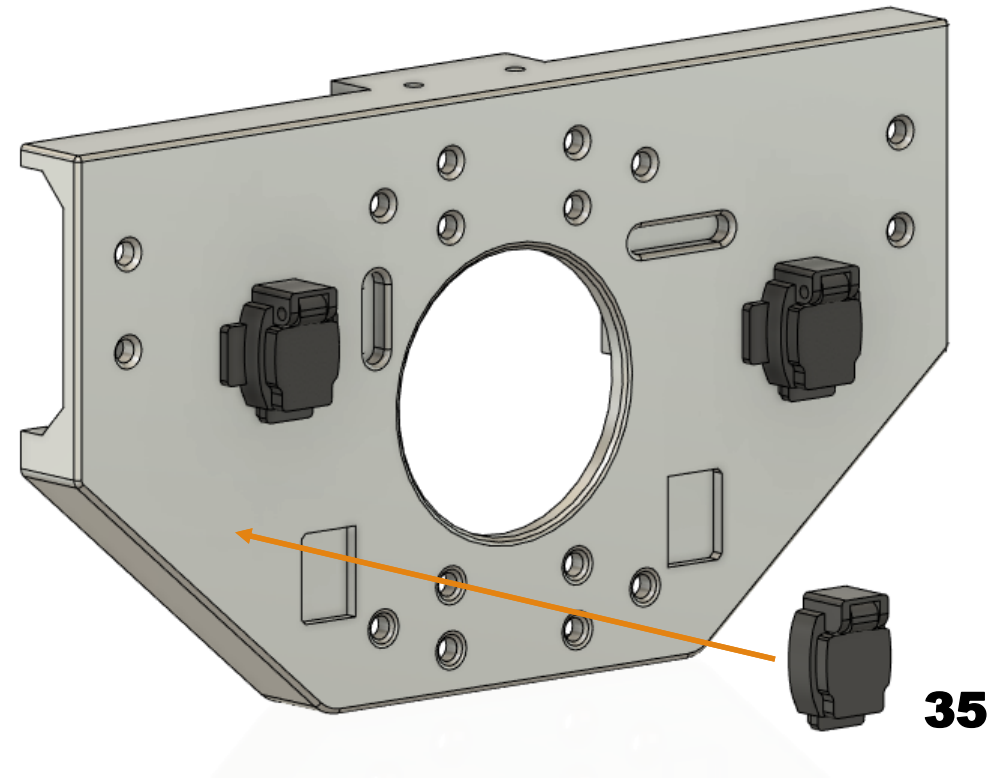
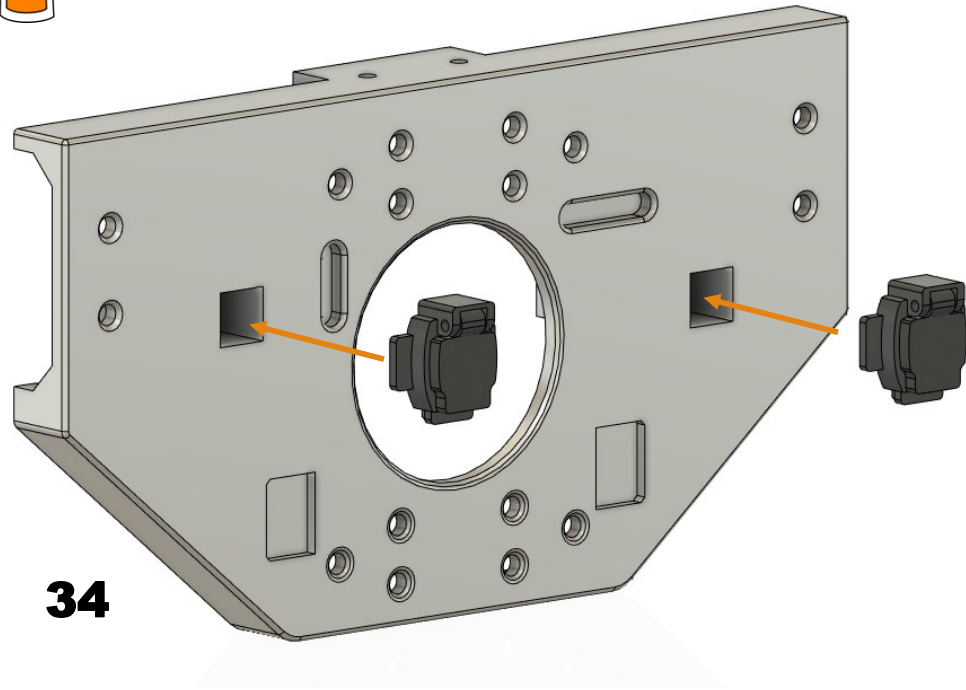
Accessories



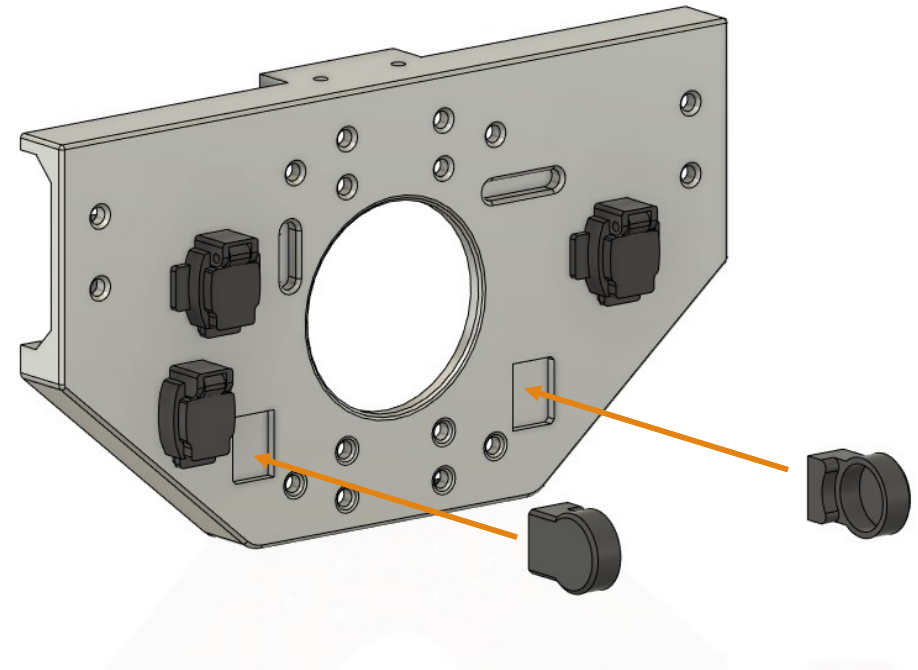
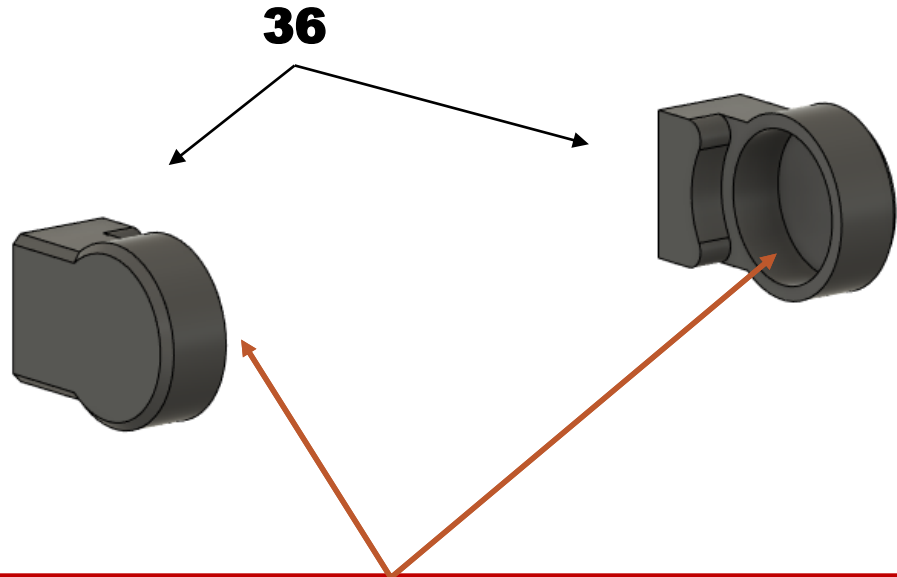
If this step is beyond your strength, never mind, glue the lid in the open position.



Accessories



Accessories

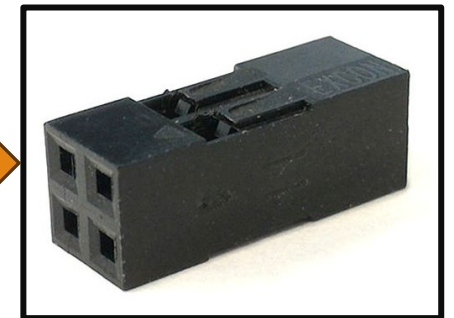
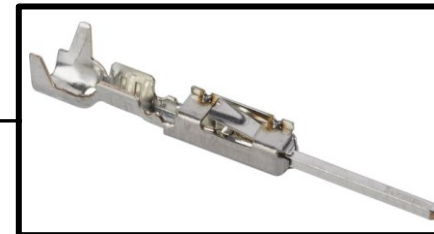


**Insert 2x Neodymium magnets 8x3mm.
Glue the magnets.
Before gluing, roughen the glued surface of the magnet.**

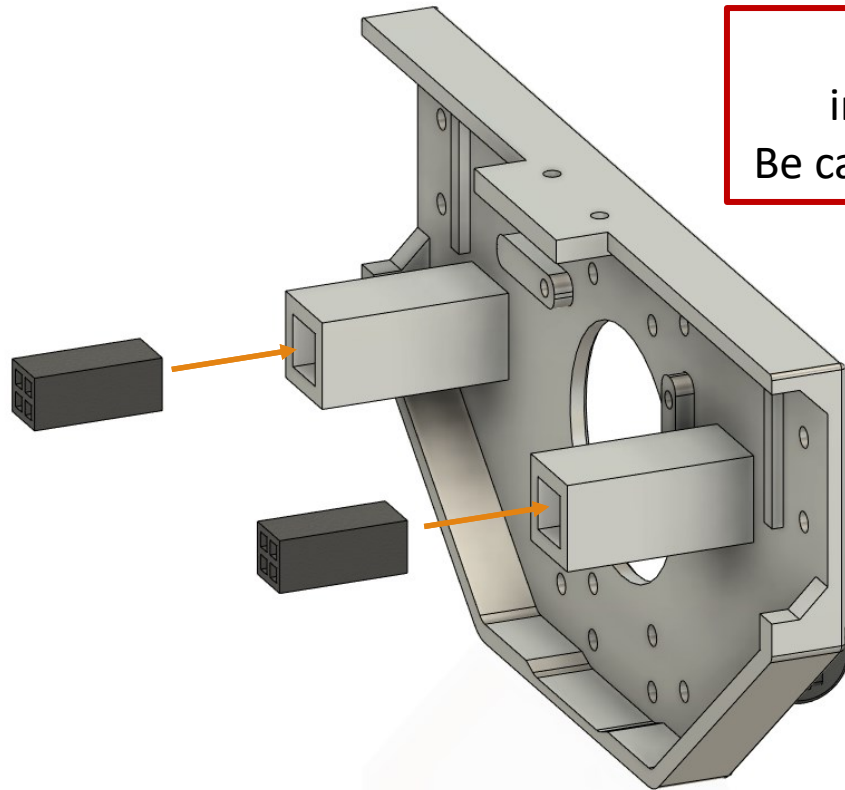
Accessories

Prepare a sufficiently long wire 2x 3-wire.
How long depends on where you attach it. It can be connected directly
to the light module and/or to the corresponding rear light conductors
TatraVT 8x8.
Top servo cable

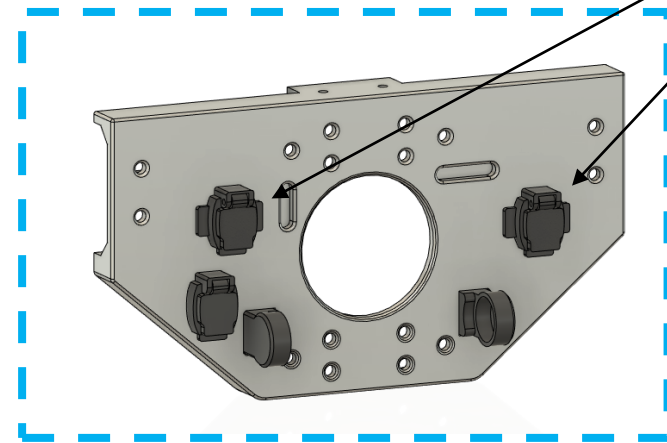
Fit the wires with a DUPONT pin and insert
to DUPONT connector 2x2 pin.
Make a system so that you still know,
where and where each wire leads.



Accessories

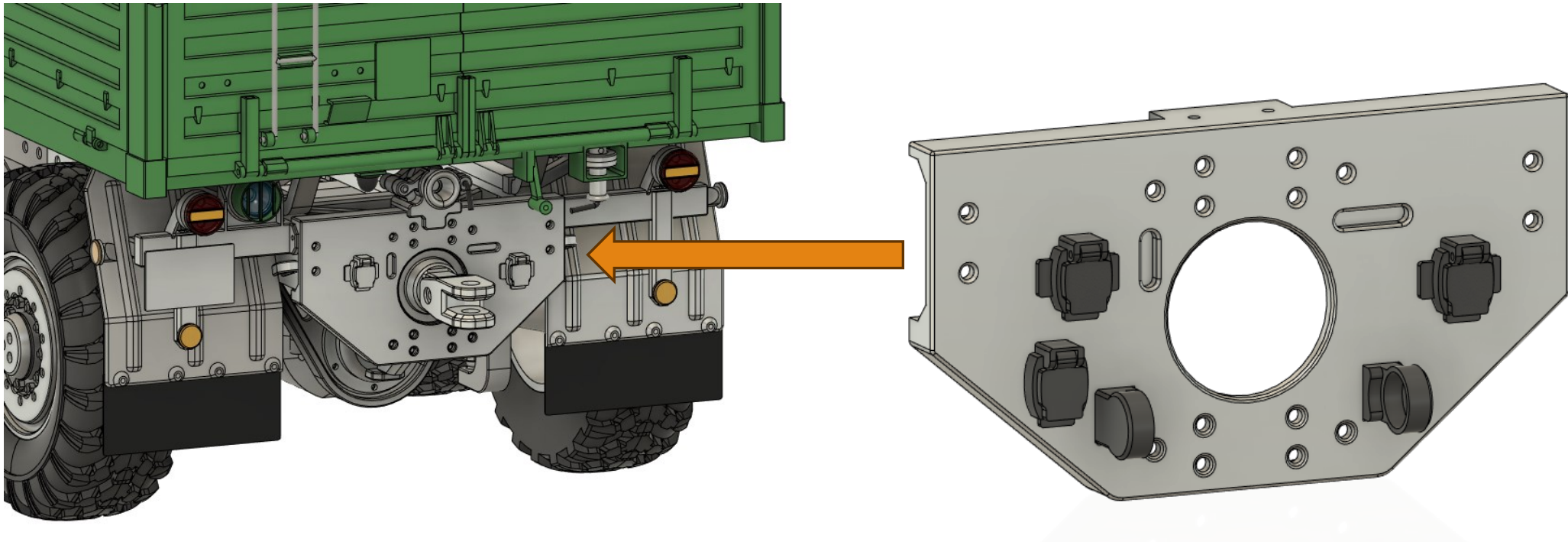


Insert the assembled wires into part 34 as deeply, in order to conveniently connect and disconnect counterparts. Be careful that the connector pins do not prevent the lids from closing

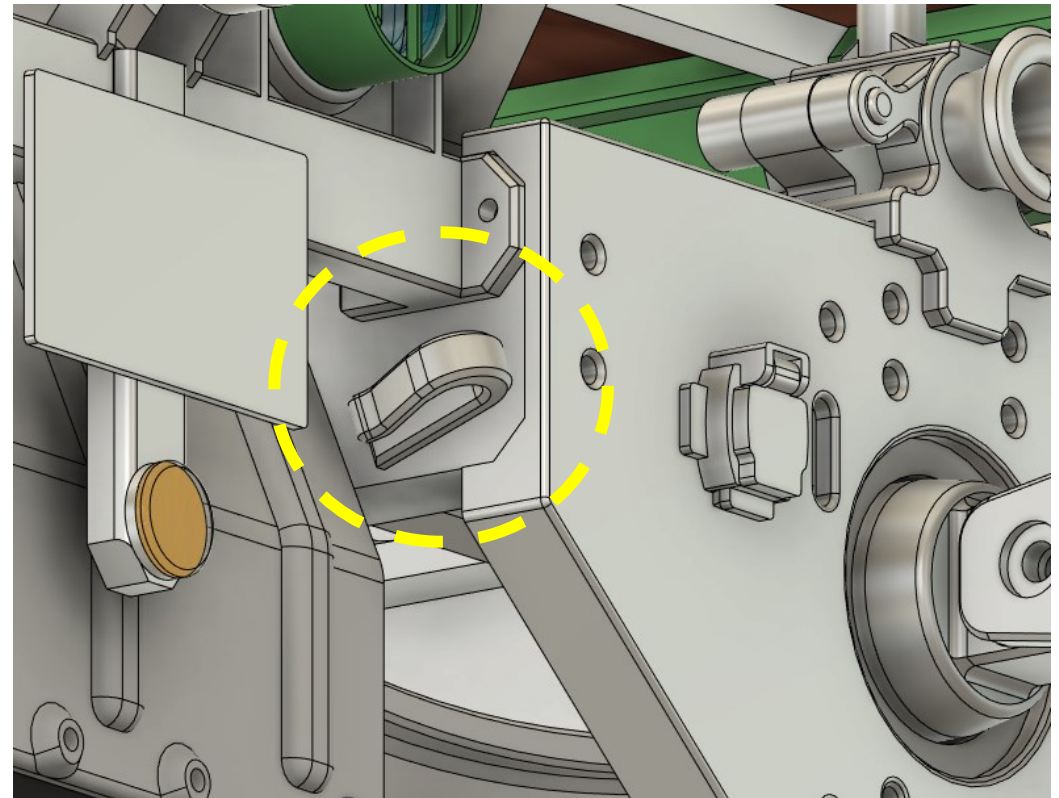
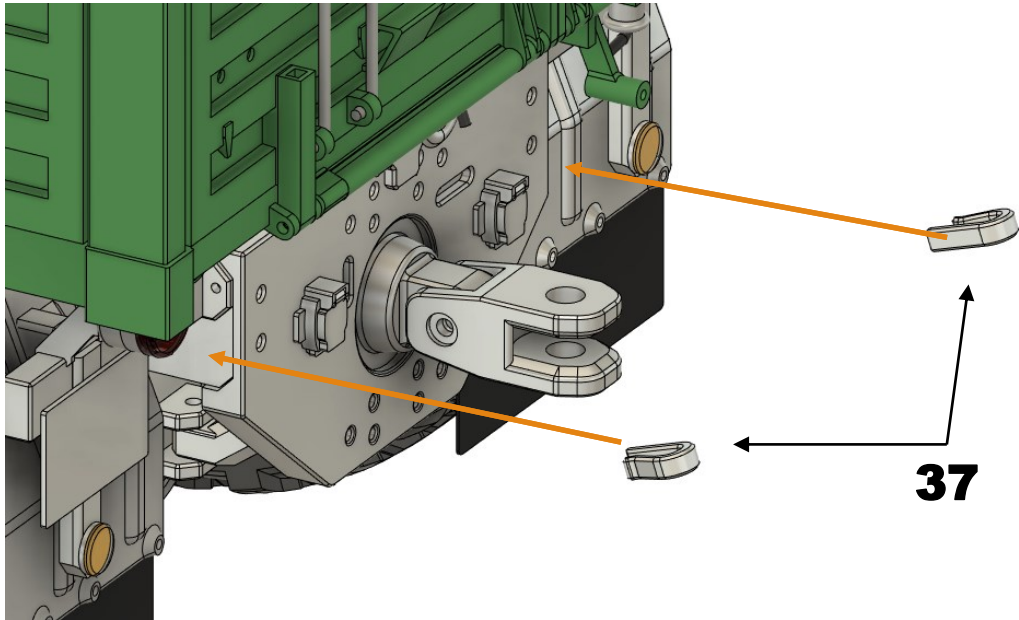


Accessories

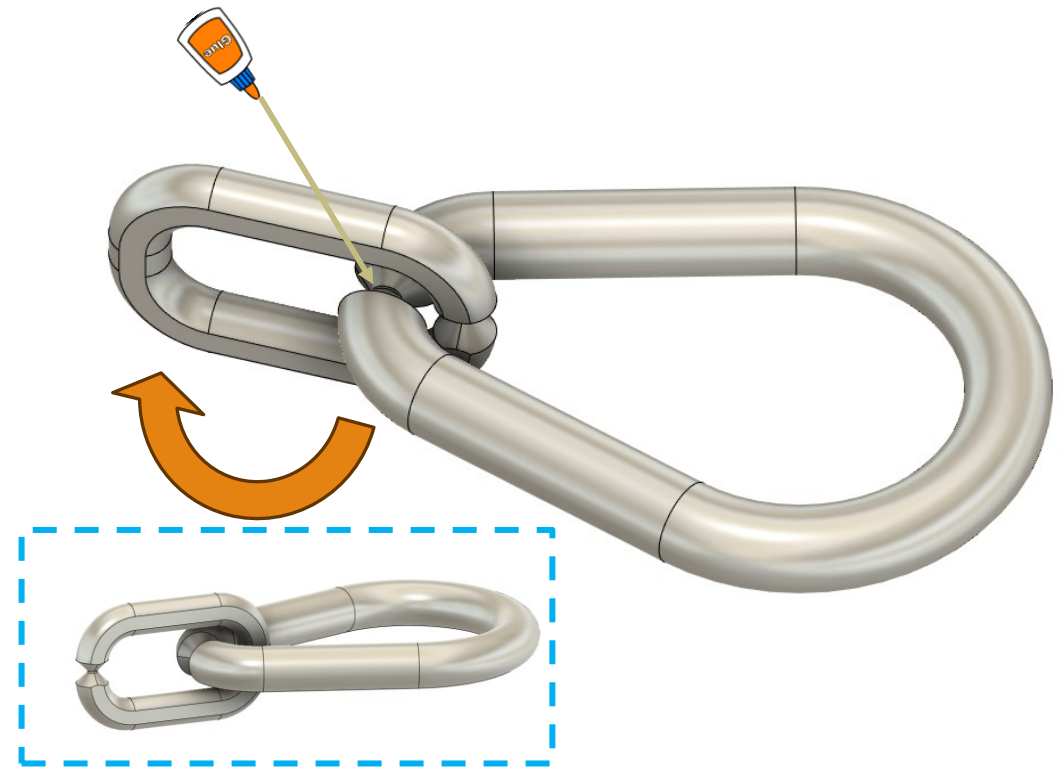
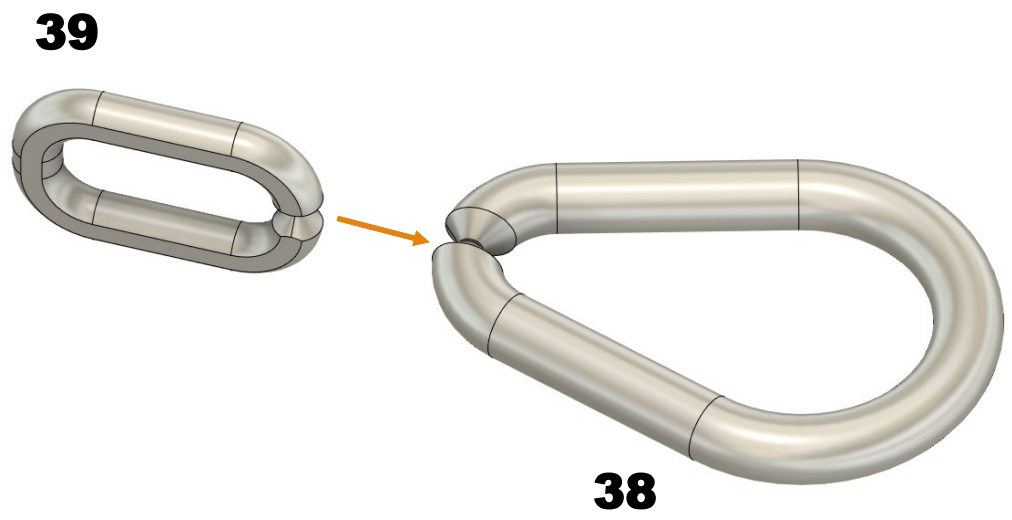
Remove the original assembly of parts from the TatraVT8x8
and replace it with a new report.
Connect the wires.



Accessories

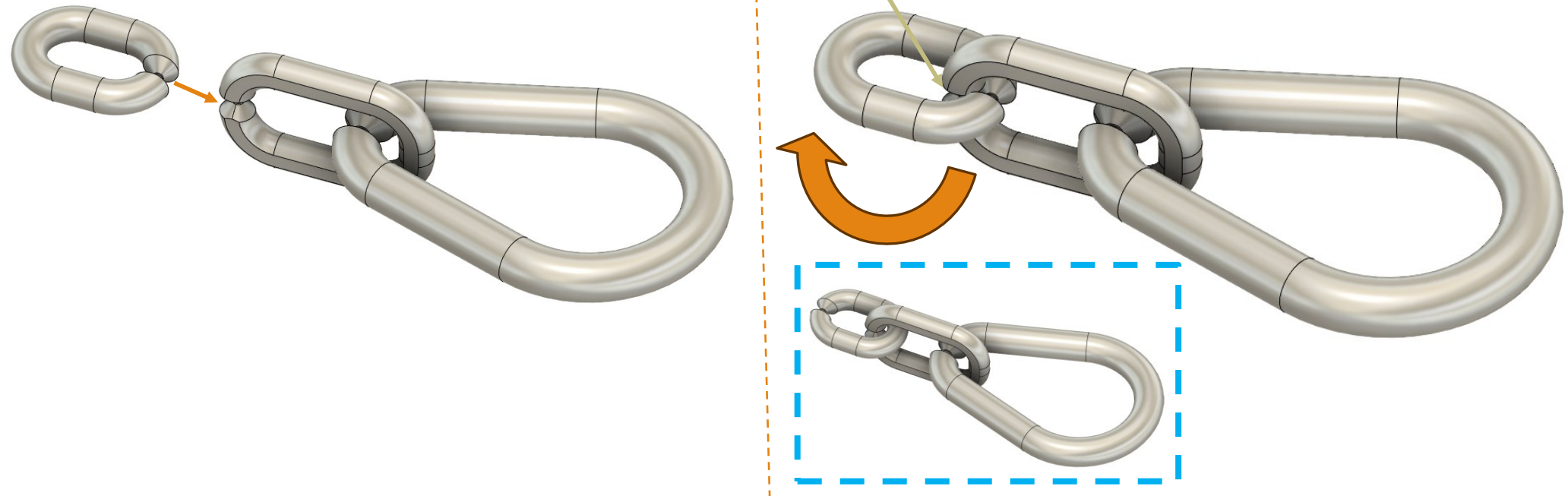


Accessories



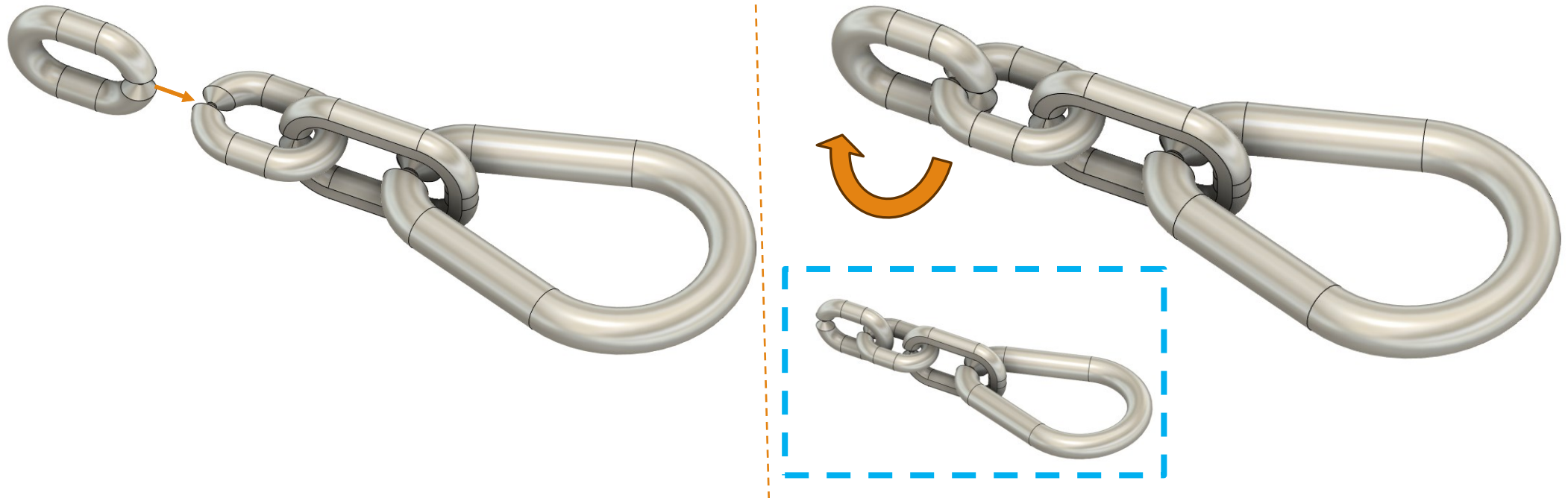
Accessories

40



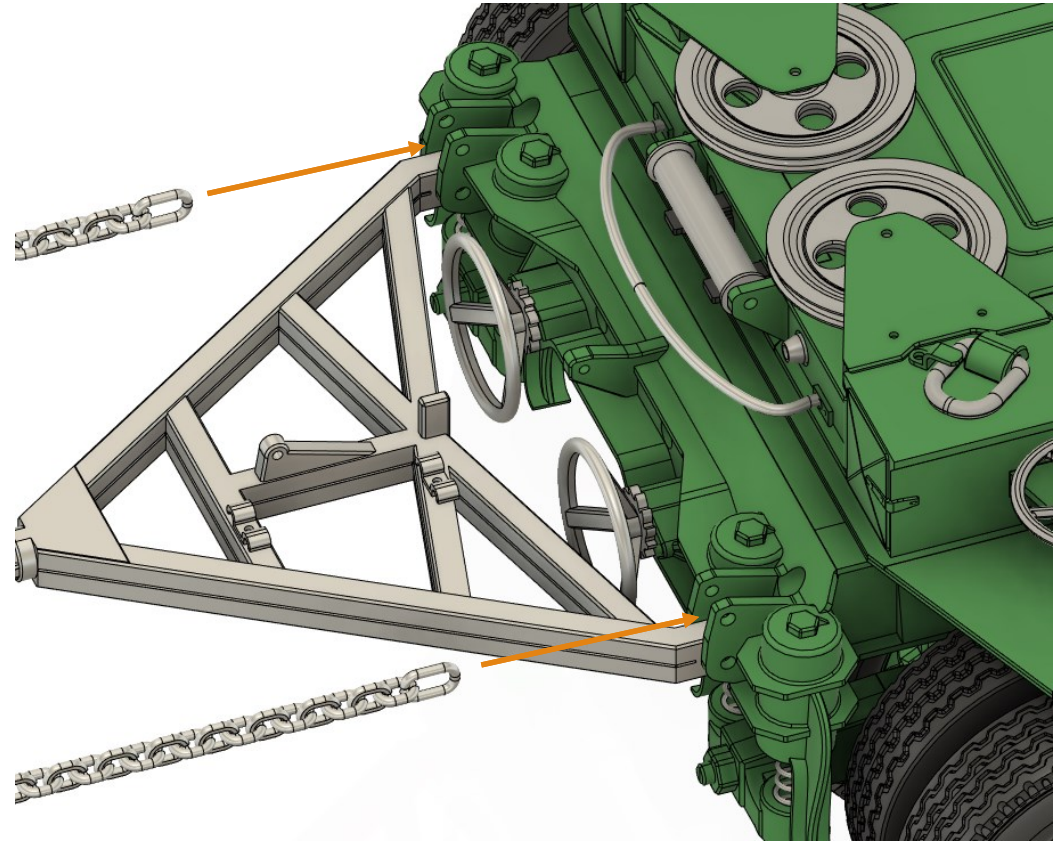
Accessories

40

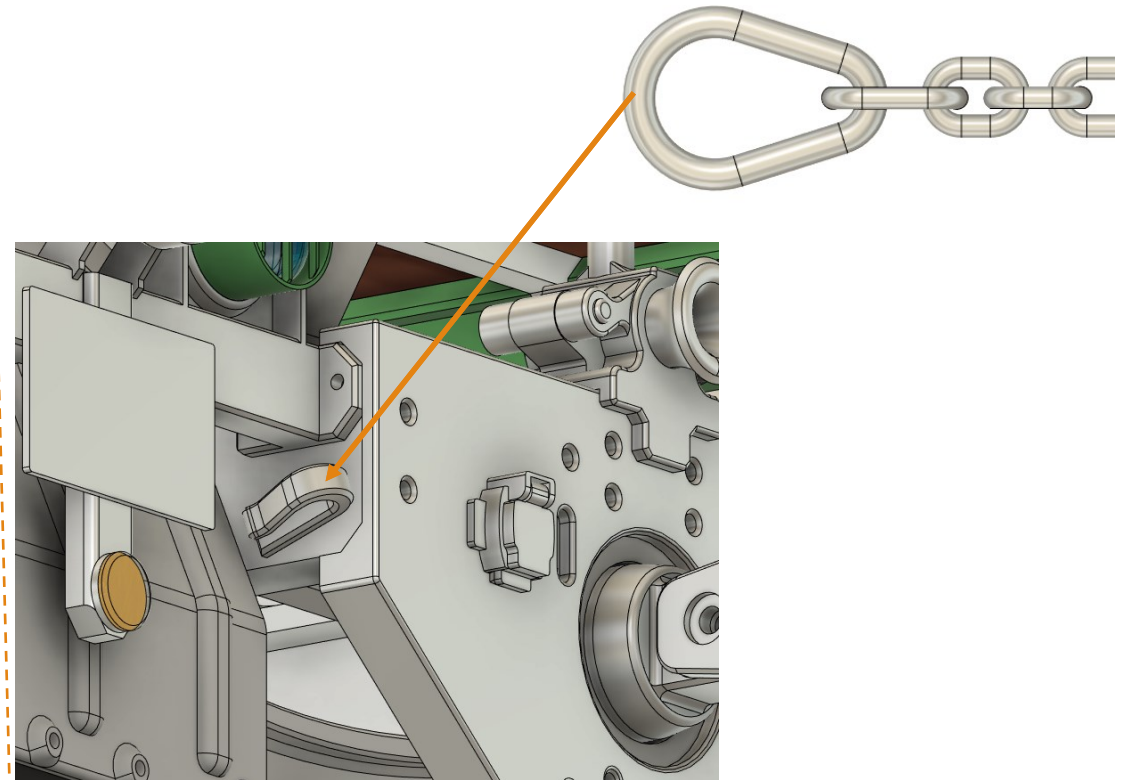
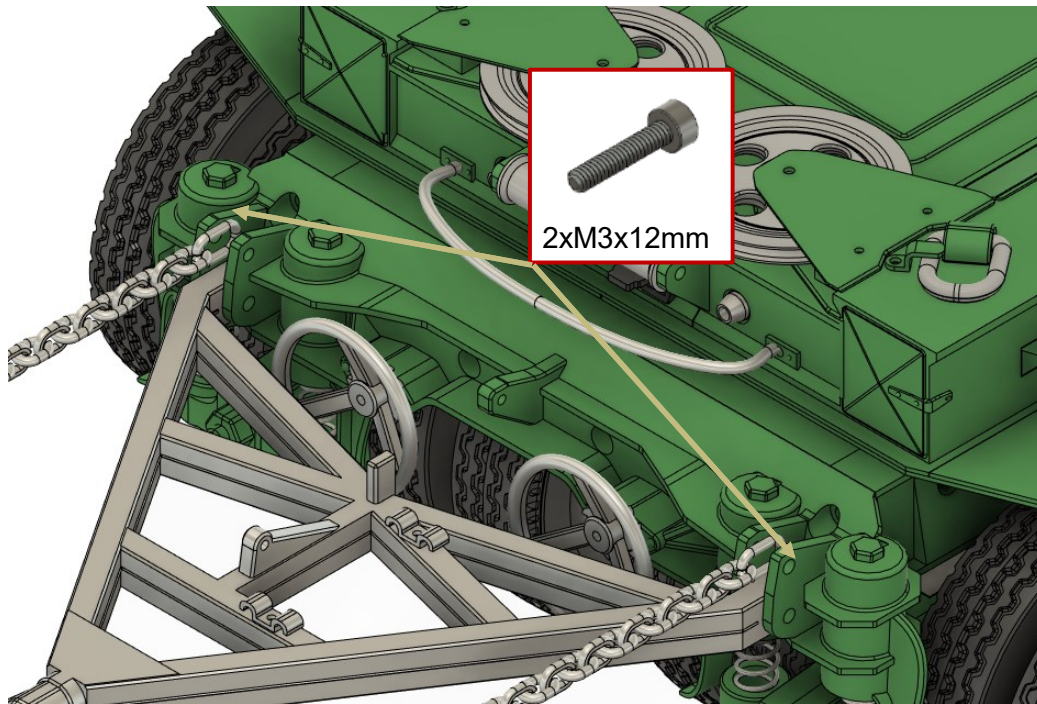


Accessories

Continue in the same way.
There must be at least 40 parts of 40.
Finish the chain with part 39.
To connect to the Tatra you need 2pcs of chain.



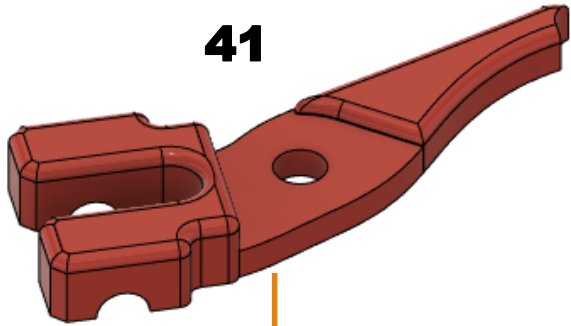
Accessories



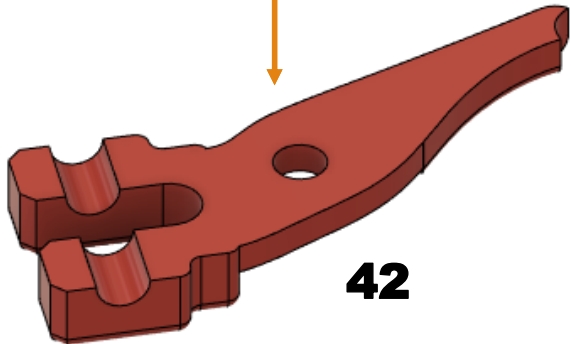
Accessories



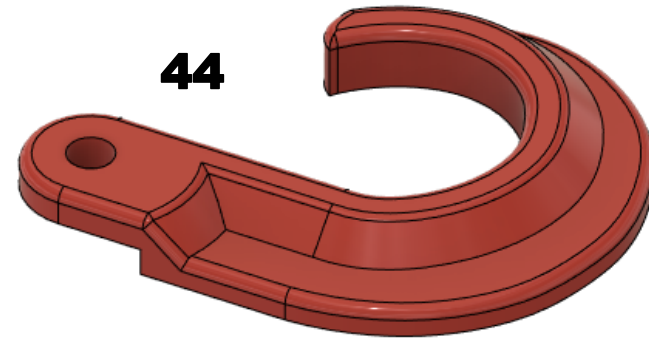
41



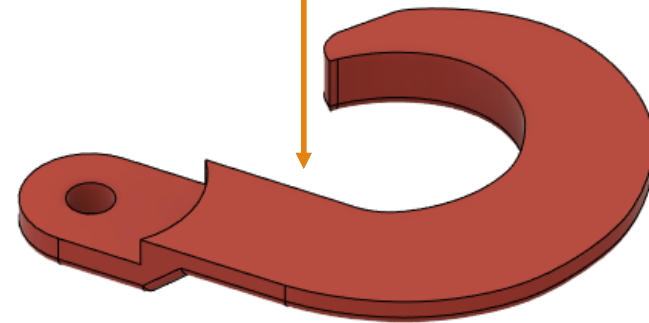
42



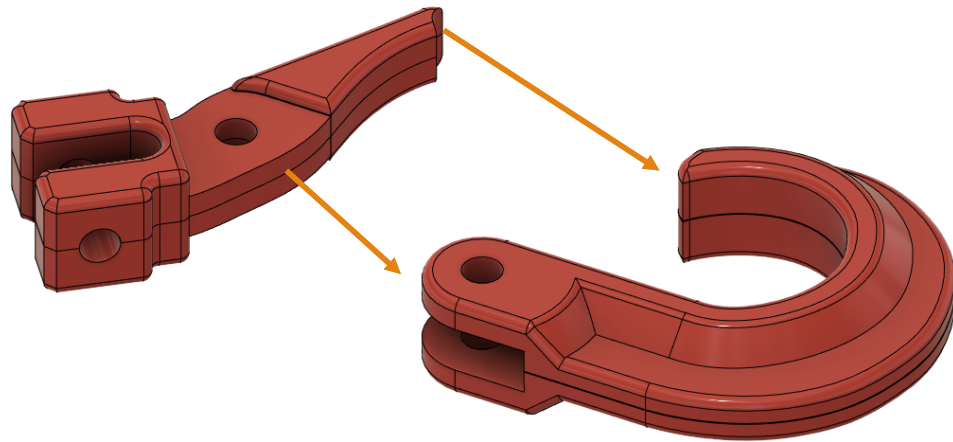
44



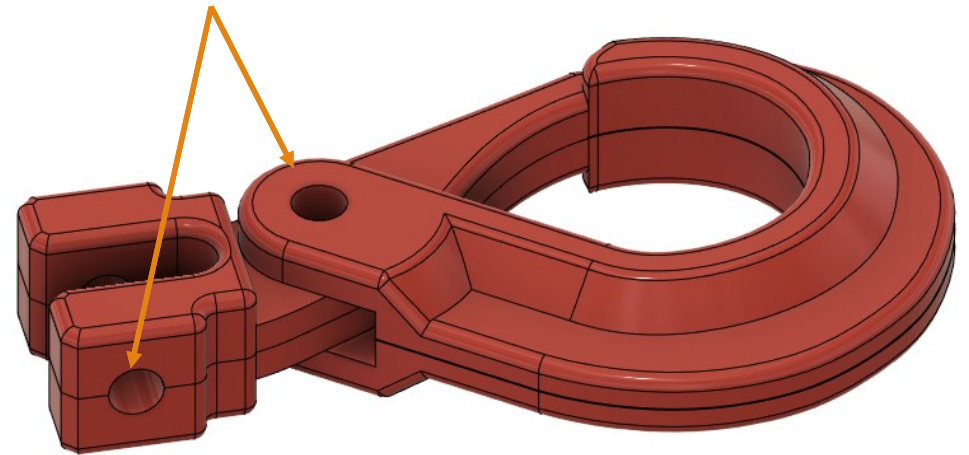
43



Accessories



Make a hinge from filament



Accessories



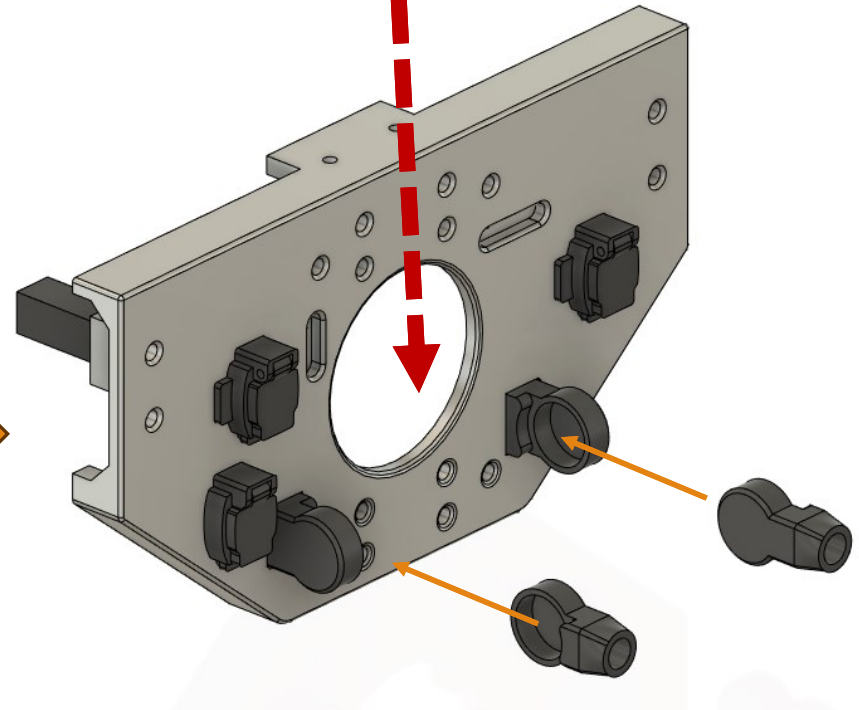
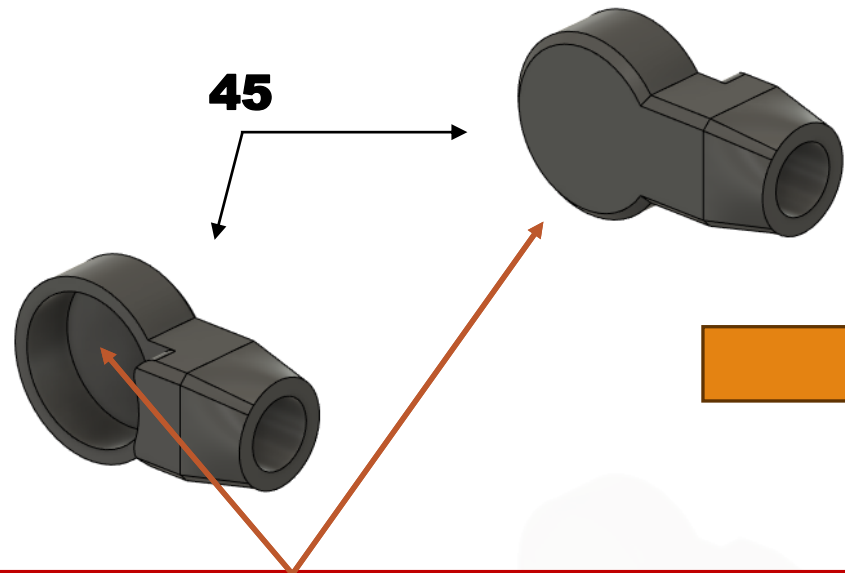
Make a binding chain from parts 39 and 40.
Part 39 is always at the beginning and end of the
chain.

Make as many binding chains as you need and how
long you need.

You can combine them exactly as you need.

Accessories

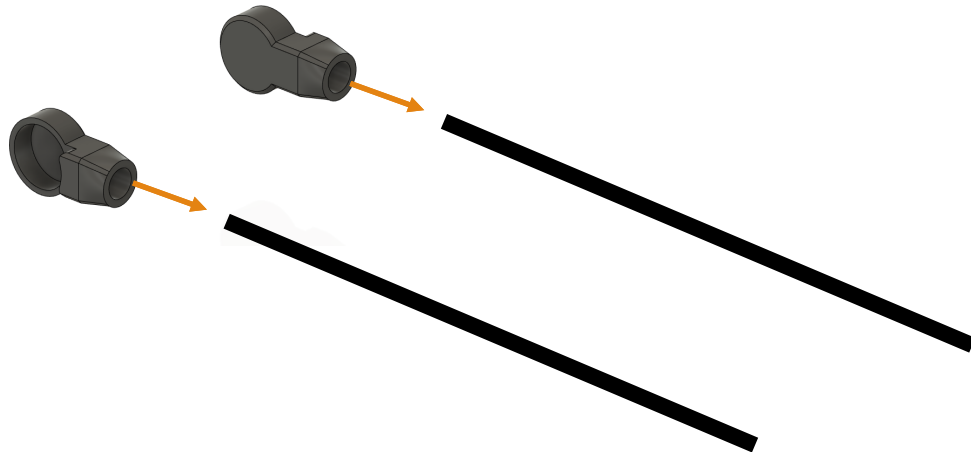
ATTENTION!!!!
Beware of the polarity of magnets, magnets must attract



**Insert 2x Neodymium magnets 8x3mm.
Glue the magnets.
Before gluing, roughen the glued surface of the magnet.**

Accessories

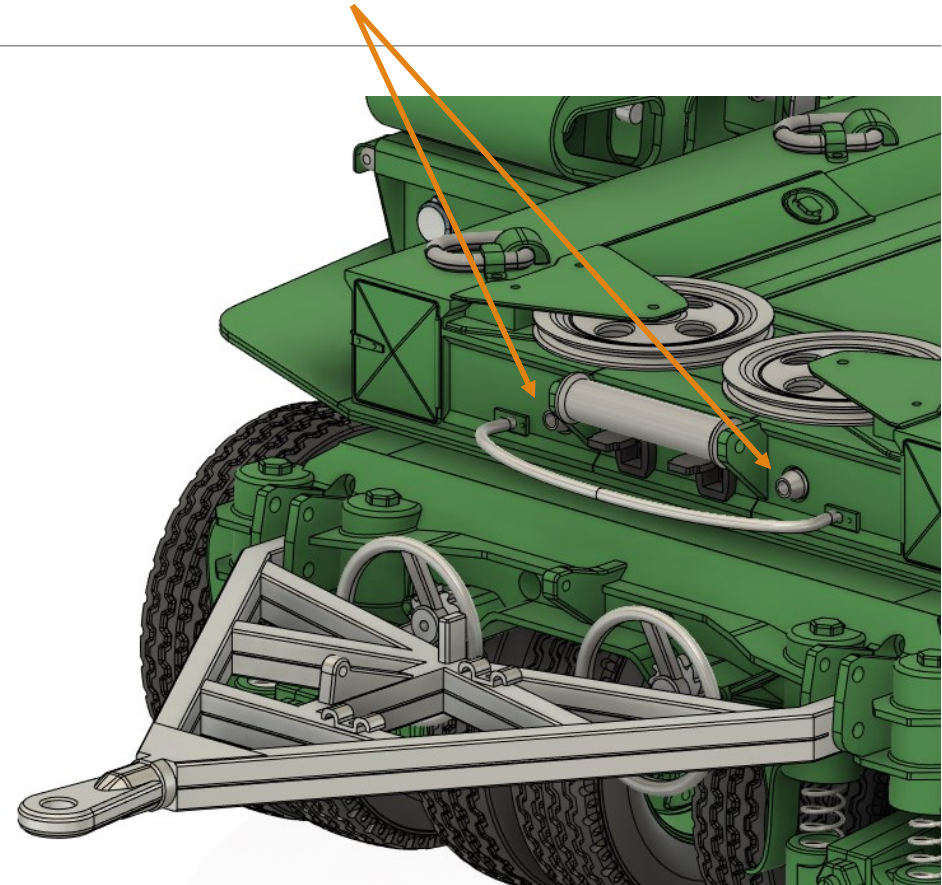
Insert the free ends of the wires (without gluing) to the destination. You can glue when you are sure of the length.



Prepare slightly flexible wires with a maximum diameter of 4mm (better 3.8mm).

Glue the wires into parts 45.

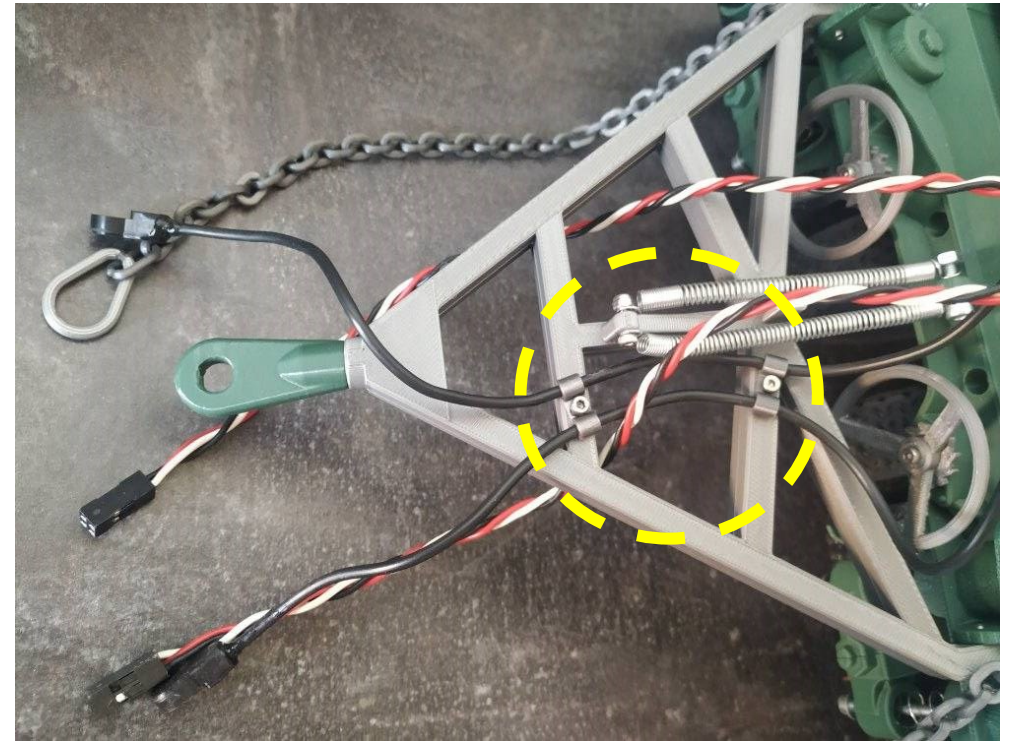
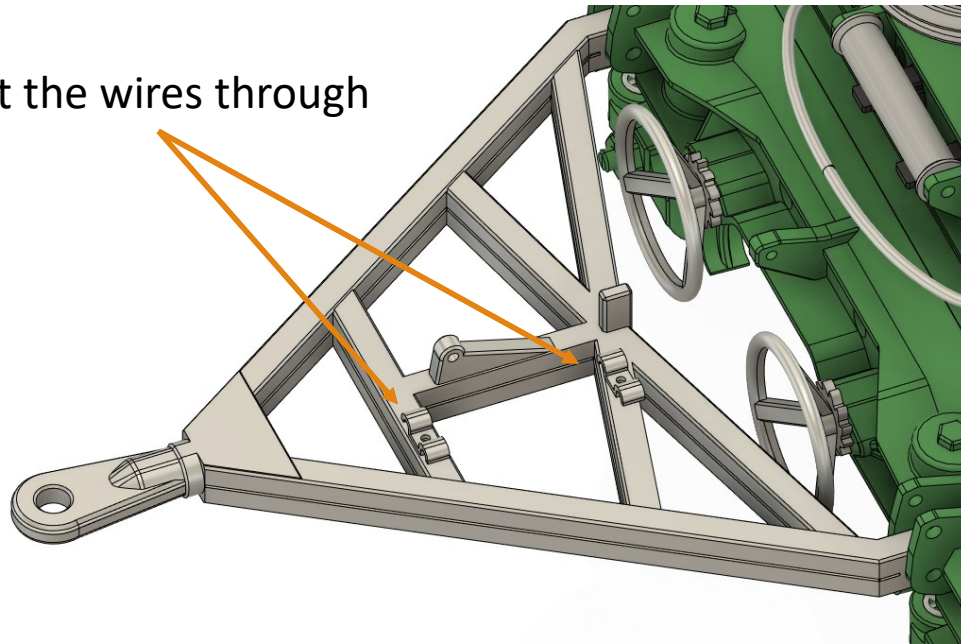
Leave the wires 30cm long. The length is adjusted later.



Accessories

Connect the model to TatraVT8x8 and shorten the wires to the desired length. The wires must be long enough even when cornering.

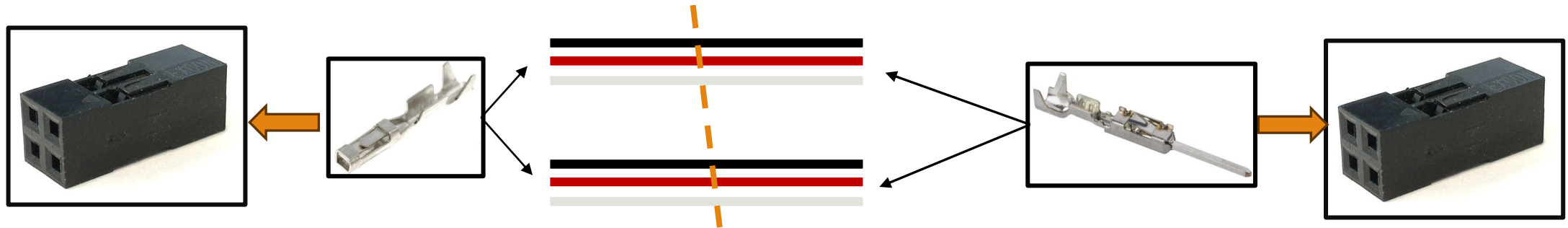
Put the wires through



Accessories

Prepare a sufficiently long wire 2x 3-wire.
Wires will be used for interconnection
El. lead to TatraVT 8x8. Measure the wires carefully.
Top servo cable.

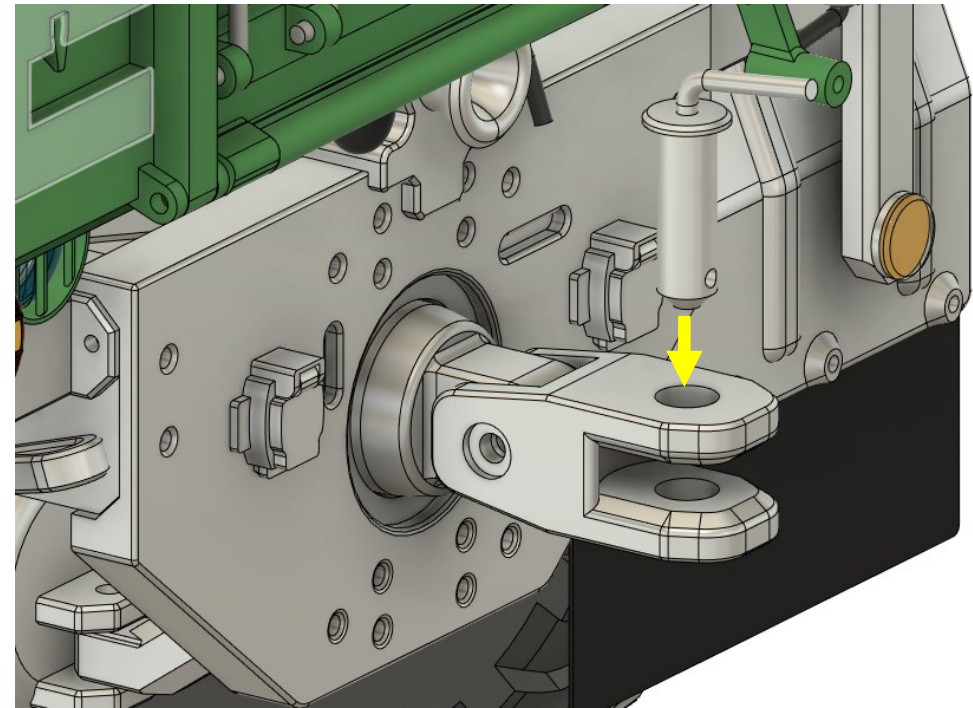
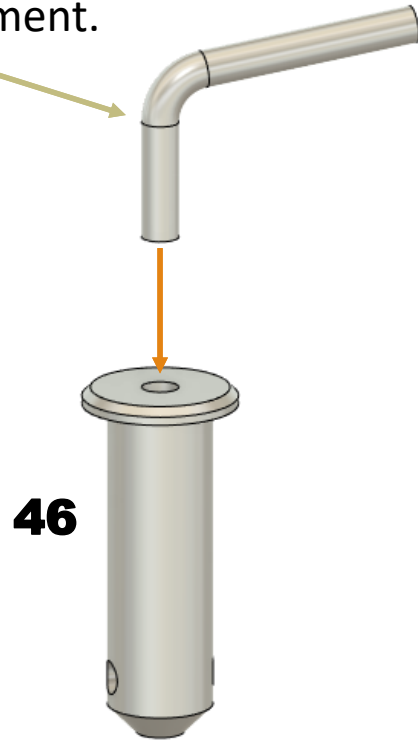
Fit the wires with a DUPONT pin and a DUPONT core
as shown.
Plug 2x2 pin into the DUPONT connector.



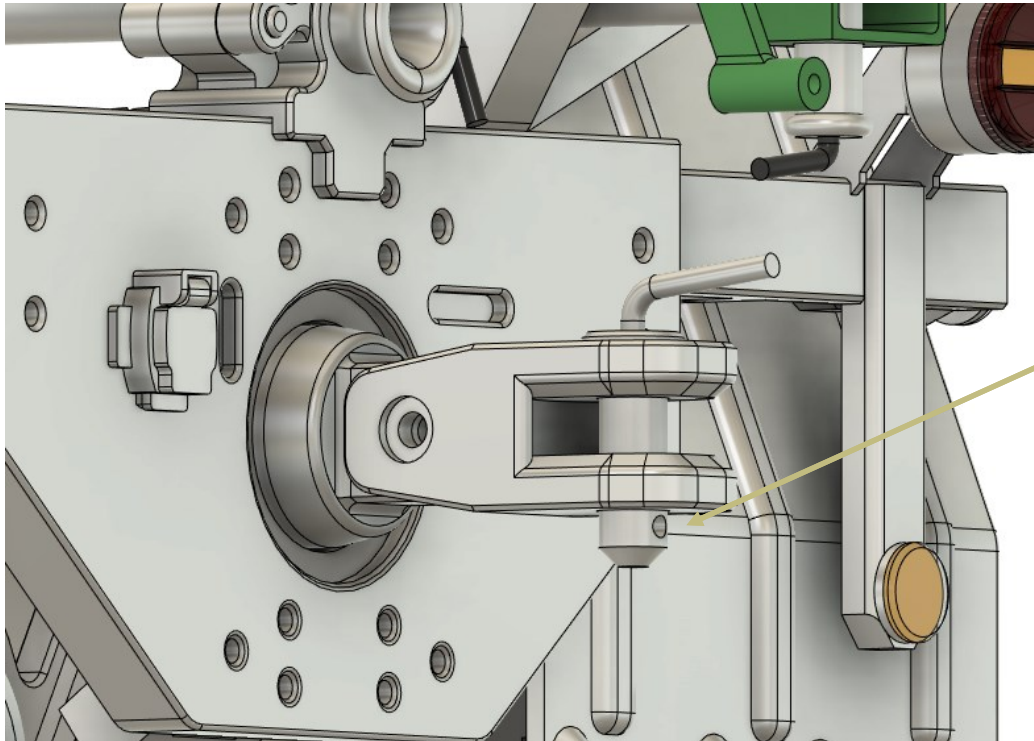
It is very important to connect the pins from TatraVT8x8 with the pins of TransportaP50 so that each wire connects
Exactly what it has and exactly what was intended. Work wisely.

Accessories

Make 2mm from brass wire
or from filament.



Accessories



Using a lighter, bend a piece of filament and secure the part against falling out.



www.mlmodel.cz



Congratulations! You're done.



Thank you for buying a model from
MLmodel.

I wish you a lot of fun and as few repairs
as possible.

Modeller for modellers

Miroslav Liesner

