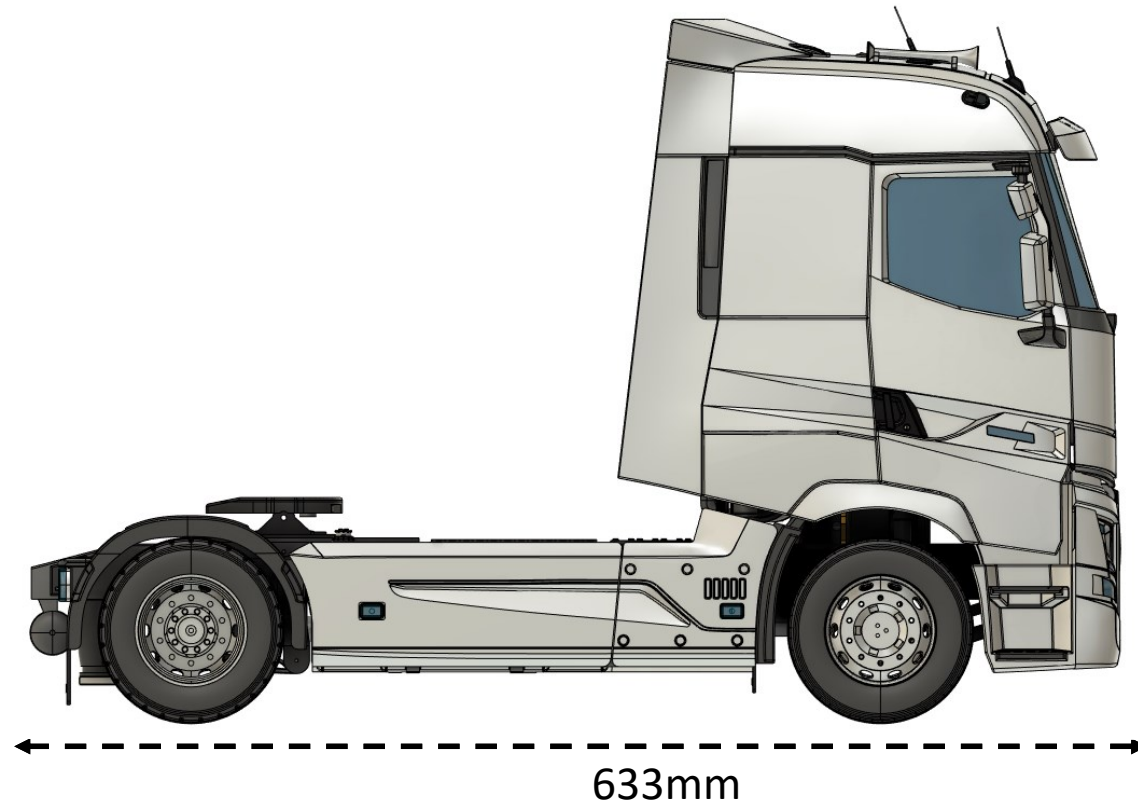


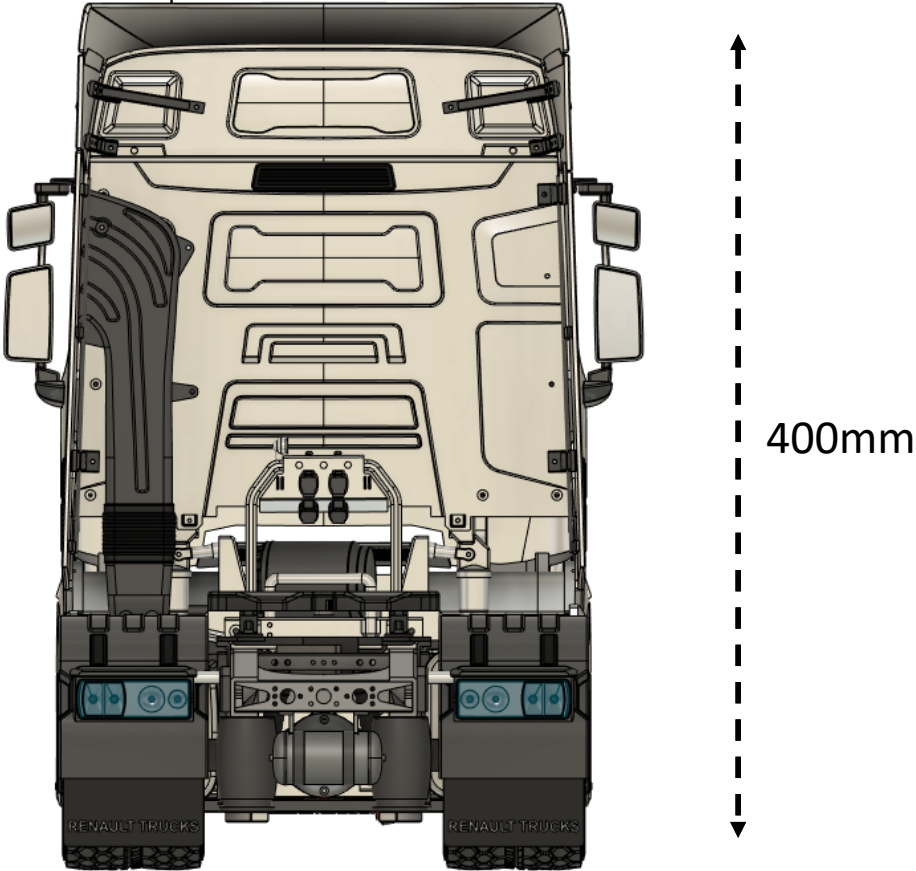
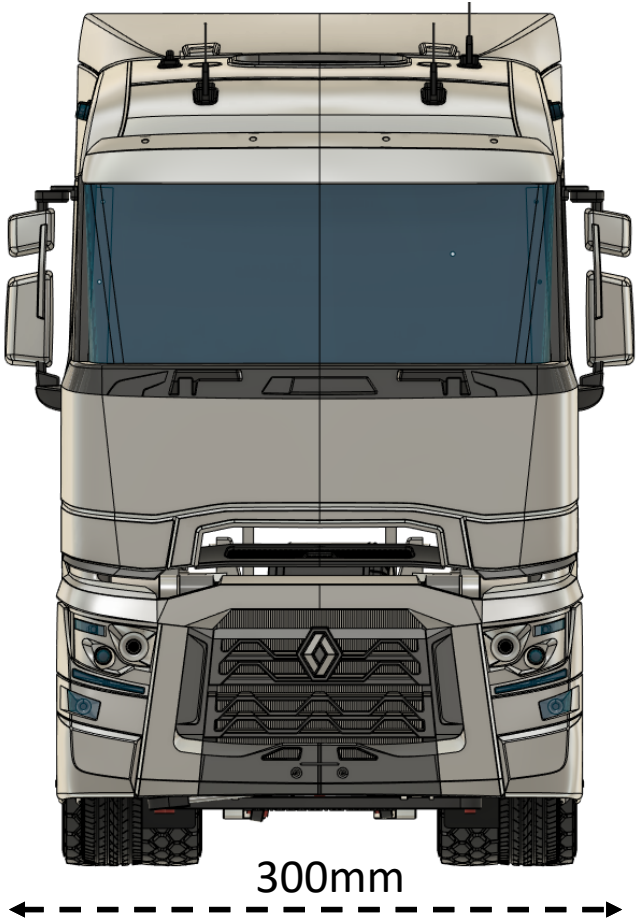
Renault T520

INSTRUCTIONS FOR CONSTRUCTION

Renault T530



Renault T530



Renault T530



Úvod...

Thank you for purchasing the STL files of the model.

Some parts may not exactly match the illustrations in this manual, they are later modified or improved parts.

When building a model, be at least three steps ahead in the instructions. This will help you better understand what is being intended and avoid any problems.

You can choose DC or AC motor.

If you have a problem with the construction or printing, do not hesitate to contact the FCB group:

[Facebook Mlmodel](#)

Poděkování...

Thanks for providing detailed photos and technical advice:

p. Christián Michalčík

Thank you for BETA testing:

p. Jakub Pešek

p. Christián Michalčík

Thank you for helping you create your shopping list:

p. Jakub Pešek

p. Christián Michalčík

Print settings

Nozzle: 0,4 mm

Extrusion width: 0,45 mm - 0,5mm

Layer Height: 0,16 mm – 0,25 mm

Fill: 5% - 50%

Perimetry: 3

Use 5 perimeters and 80% infill for transfers.

Supports are at your discretion and the capabilities of the printer.

What You'll Need..

3D printer with a print area of 220x220mm (in case of a smaller print area, contact me and I will divide the part additionally. The maximum minimum is 200x200mm)

3kg of high-quality filament

1kg of FLEX filament (parts are marked FLEX)

Approx. 10m of CLEAR filament (parts are marked CLEAR)

CA Glue Medium + Activator

Transmitter + receiver

2S Li-Pol batteries

Shopping list...

Bearing
10x15x4 mm 14ks
15x21x4 4ks

- [Aliexpress](#)

Durofol 0.2mm
Durofol 0.4mm

- [peckamodel.cz](#)
- [peckamodel.cz](#)

Carbon tube

- [Aliexpress](#)
- [peckamodel.cz](#)

Brass wire 1mm

- [peckamodel.cz](#)

Neodymium Disc
Magnets 5x1mm 16pcs

- [unimagnet.cz](#)

LED 5mm
White Cold
4pcs

- [gme.cz](#)

LED 3mm
White Cold
8pcs

- [gme.cz](#)

LED 3mm
yellow
8pcs

- [gme.cz](#)

LED 3mm
red
4pcs

- [gme.cz](#)

Conductors
k LED

- [gme.cz](#)

Shopping list...

Engine
Dc

- 540/550 55T
- 60A regulator

Brushless motor

- 3548-900kv
- 60A regulator

Servo standard control
Servo standart turntable lock

- Minimum 30kg Metal gears
- Munimum 10kg preferably metal gears

Li-Pol
battery

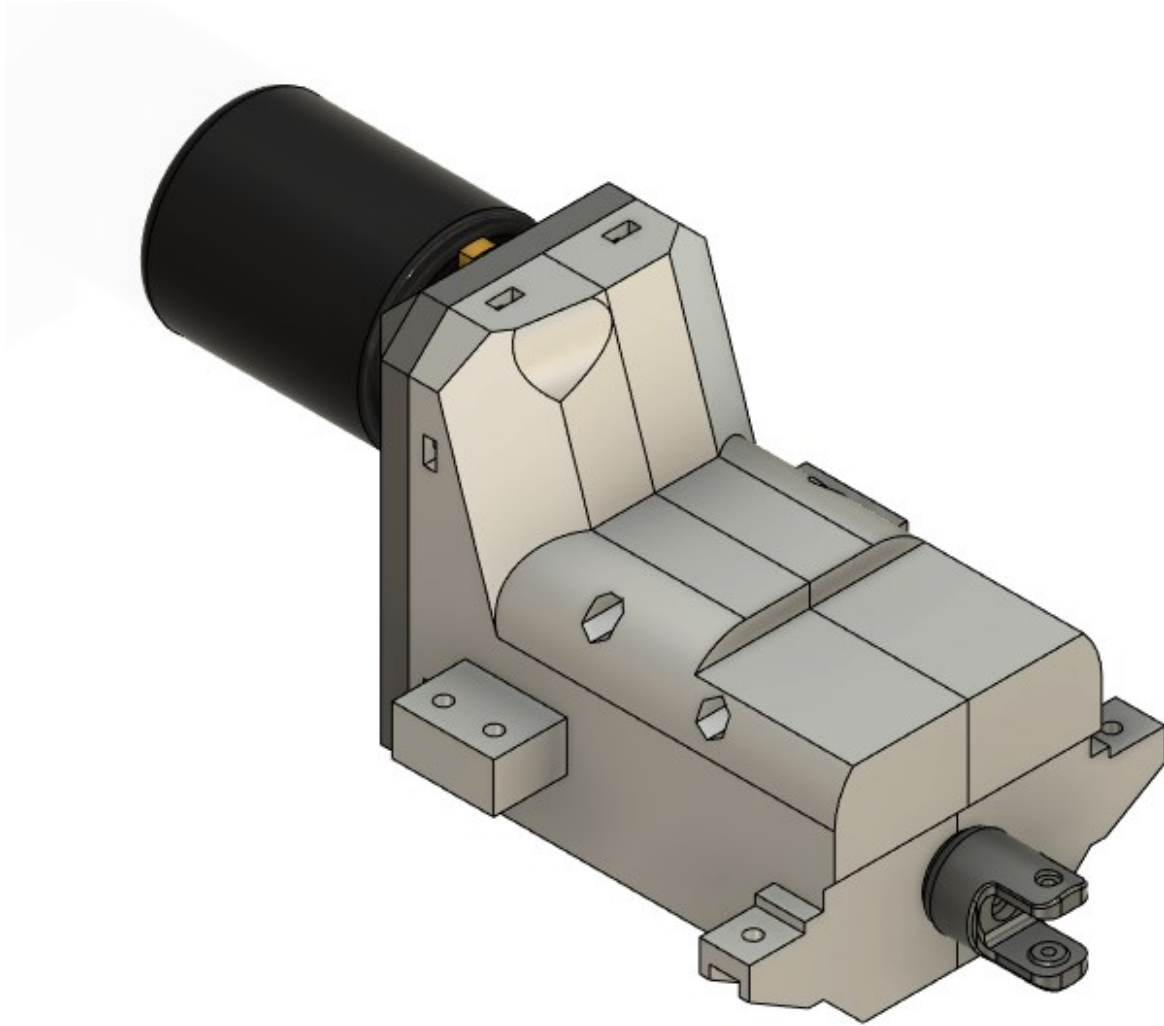
- 2S 5200mAh
- 50C

Pusher spring

- 5x40mm 4ks, 14x40mm 2ks- [aliexpress.com](https://www.aliexpress.com)
- My recommended wire diameter 0.8mm

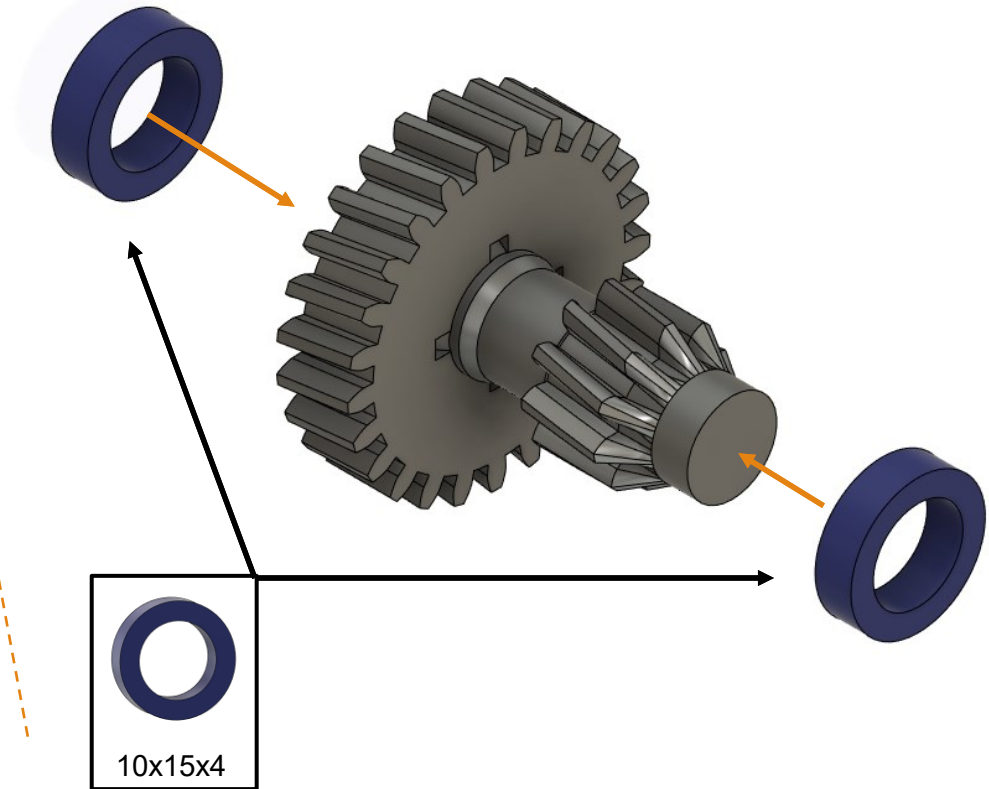
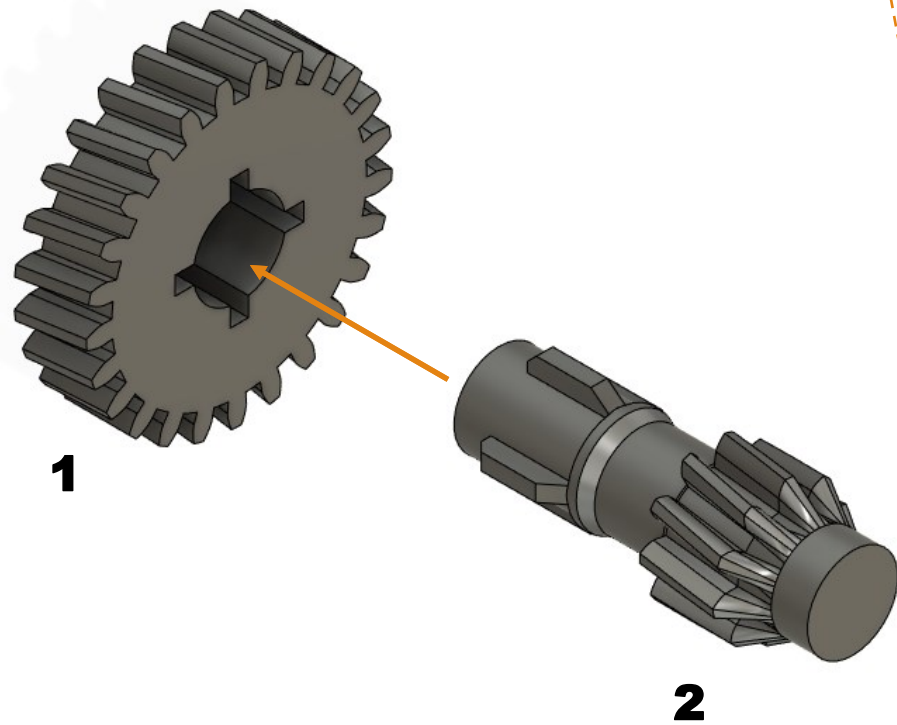
Shopping list - screws

M2 x 5mm	• 14pcs	M3 x 6mm	• 7pcs
M2 x 6mm	• 101pcs	M3 x 10mm	• 34pcs
M2 x 8mm	• 44pcs	M3 x 12mm	• 8ps
M2 x 10mm	• 100pcs	M3 x 16mm	• 41pcs
M2 x 12mm	• 6pcs	M3 x 20mm	• 4pcs
M2 x 16mm	• 12pcs	M3 x 35mm	• 4pcs
M2 x 18mm	• 2pcs	M3 x 40mm	• 2pcs
M2,5x10mm	• 40pcs	Matička M3	• 10pcs
Self-locking nutM2.5	• 40pcs	Self-locking nutM3	• 11pcs
Worm M3x5mm	• 8pcs		

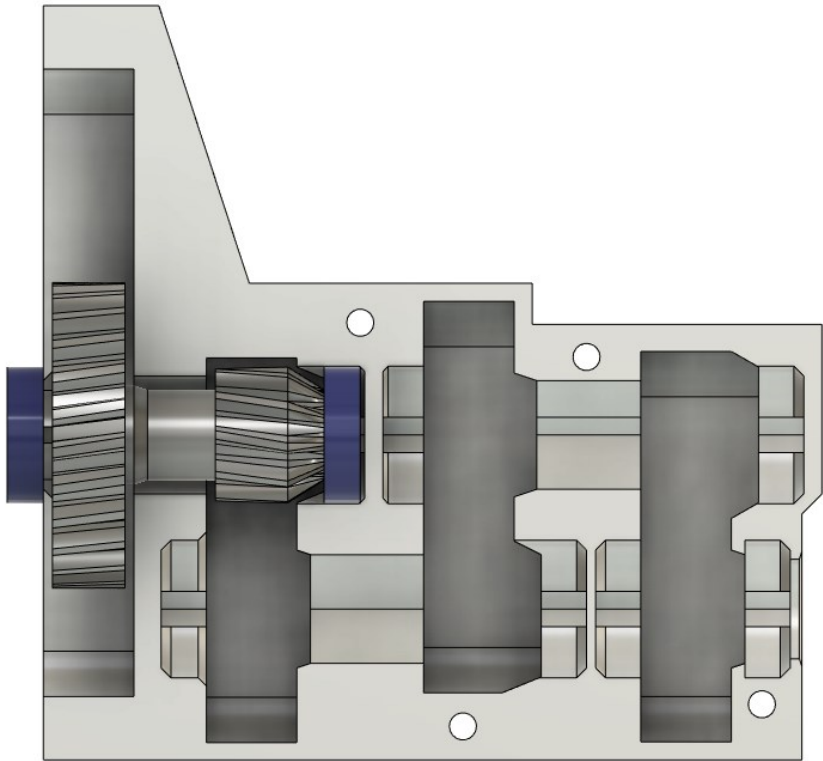
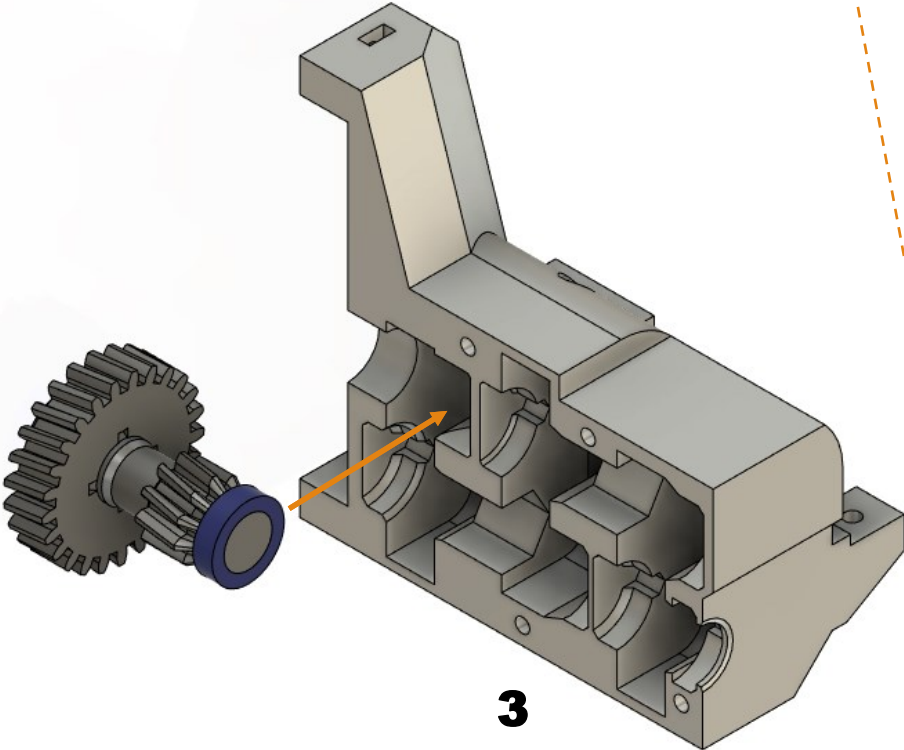


Transmission

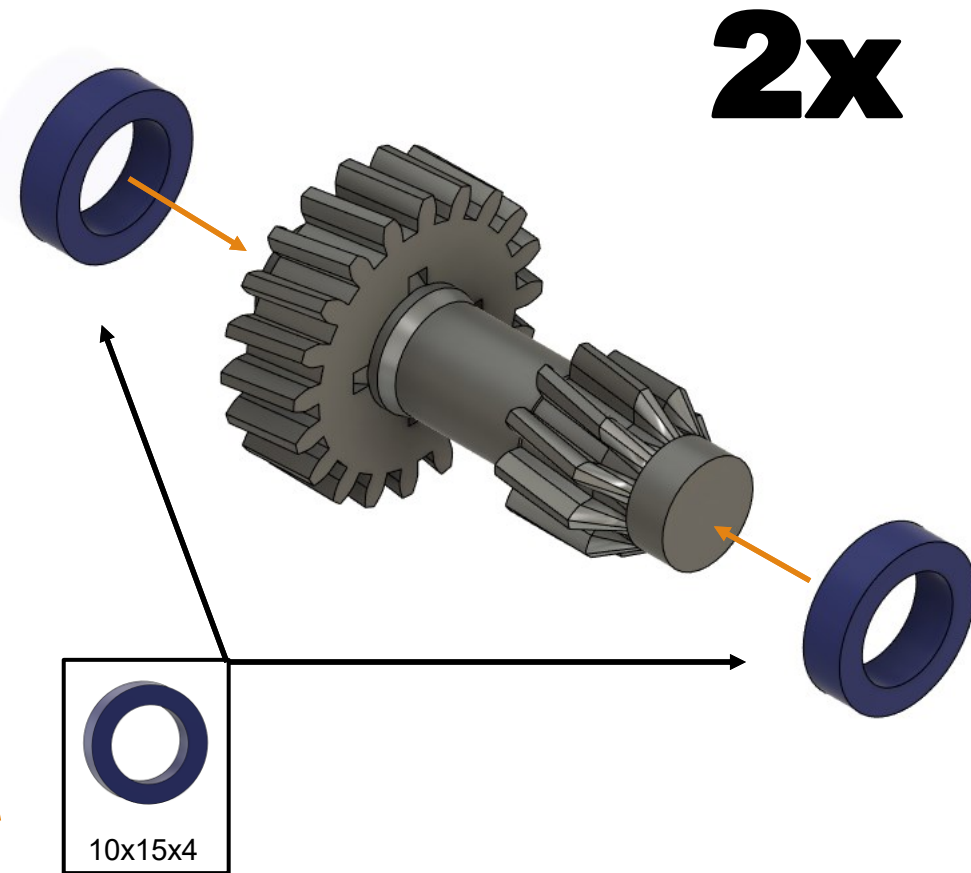
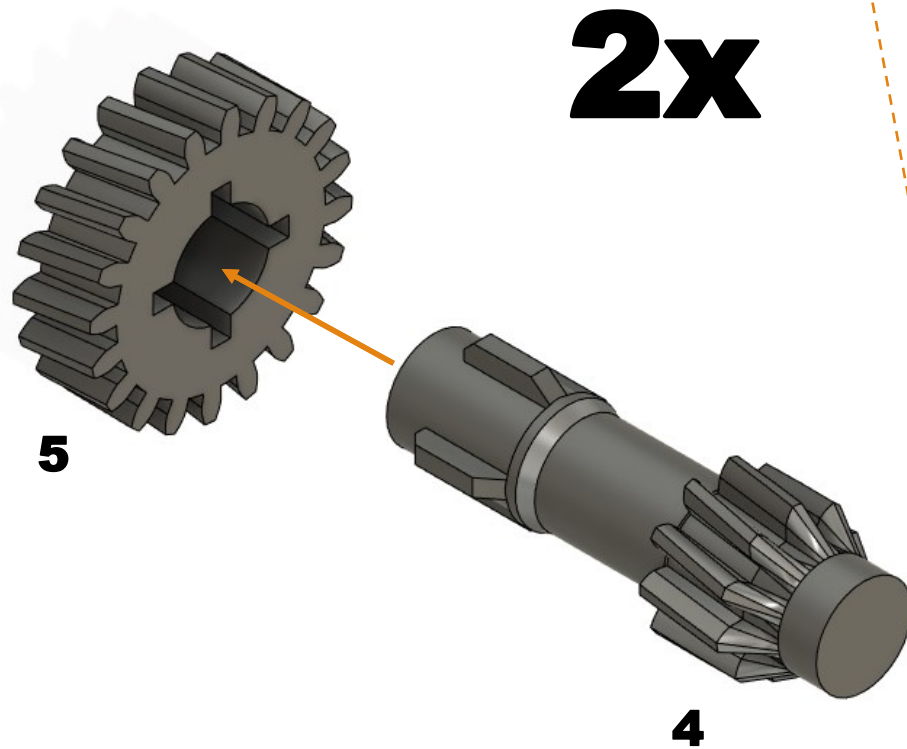
Transmission



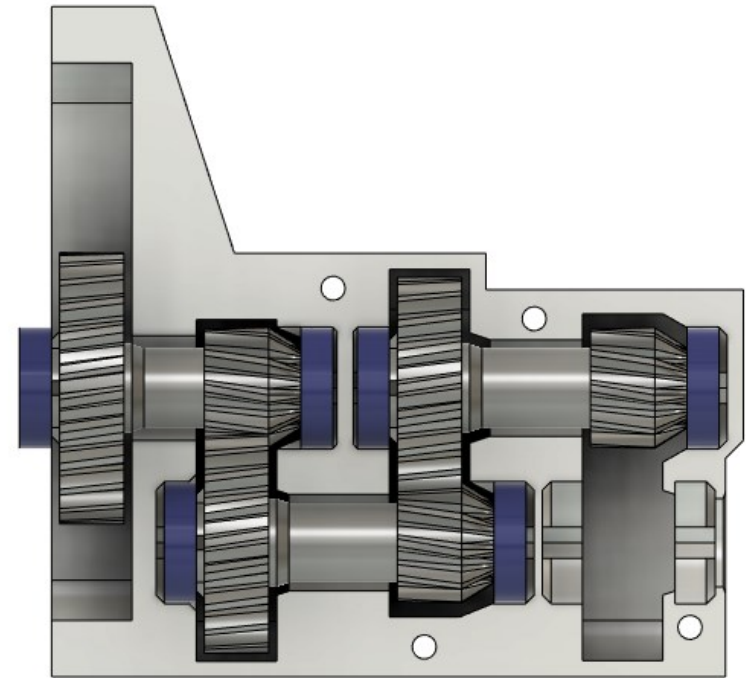
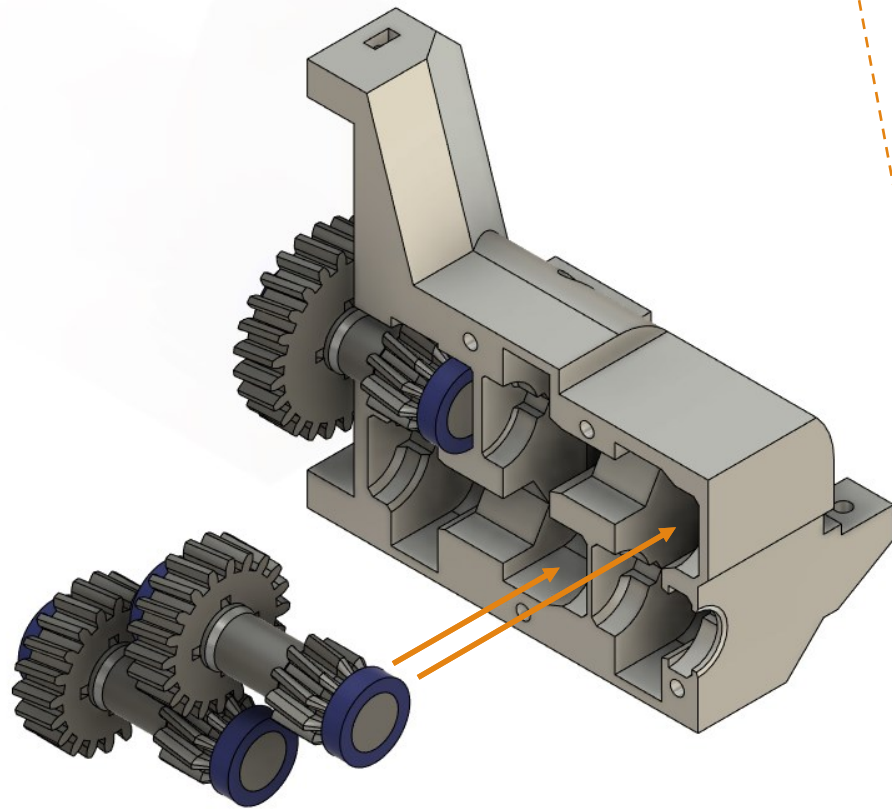
Transmission



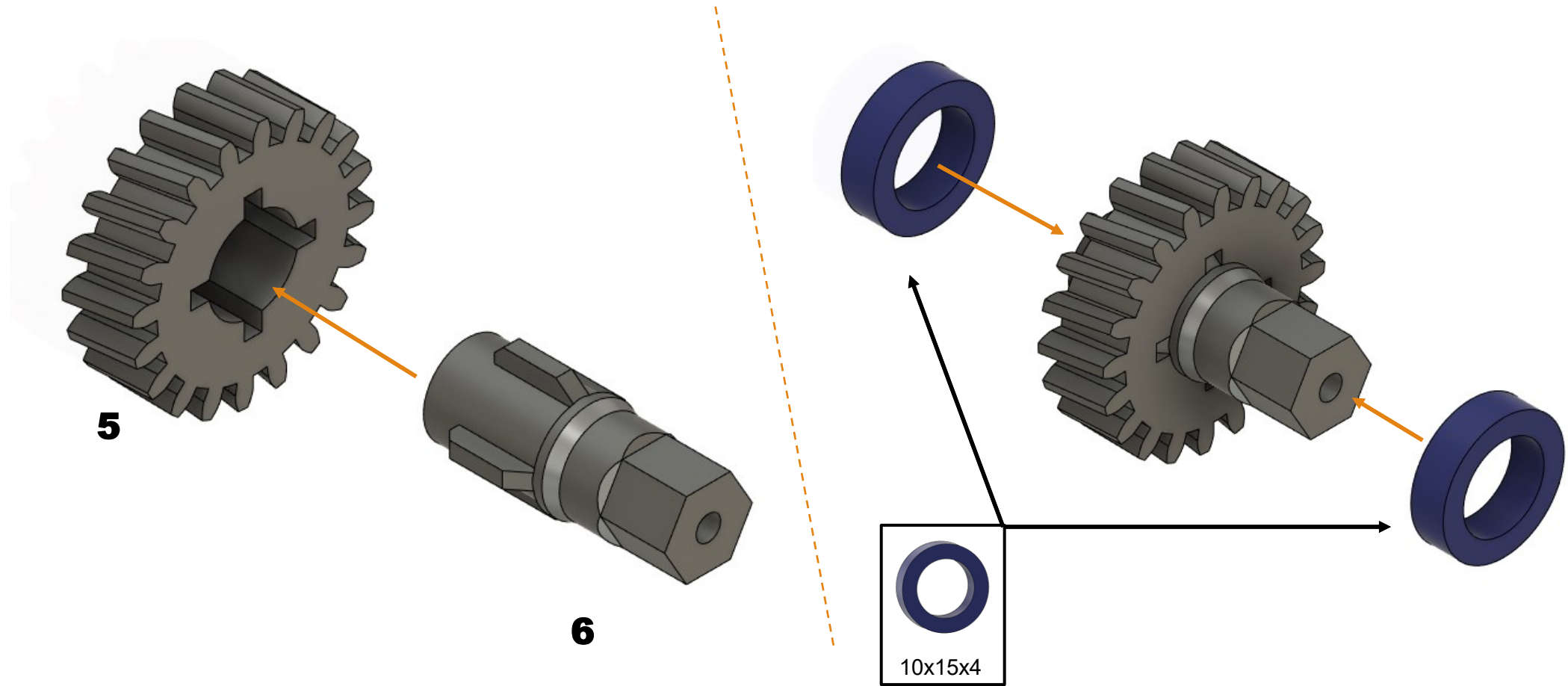
Transmission



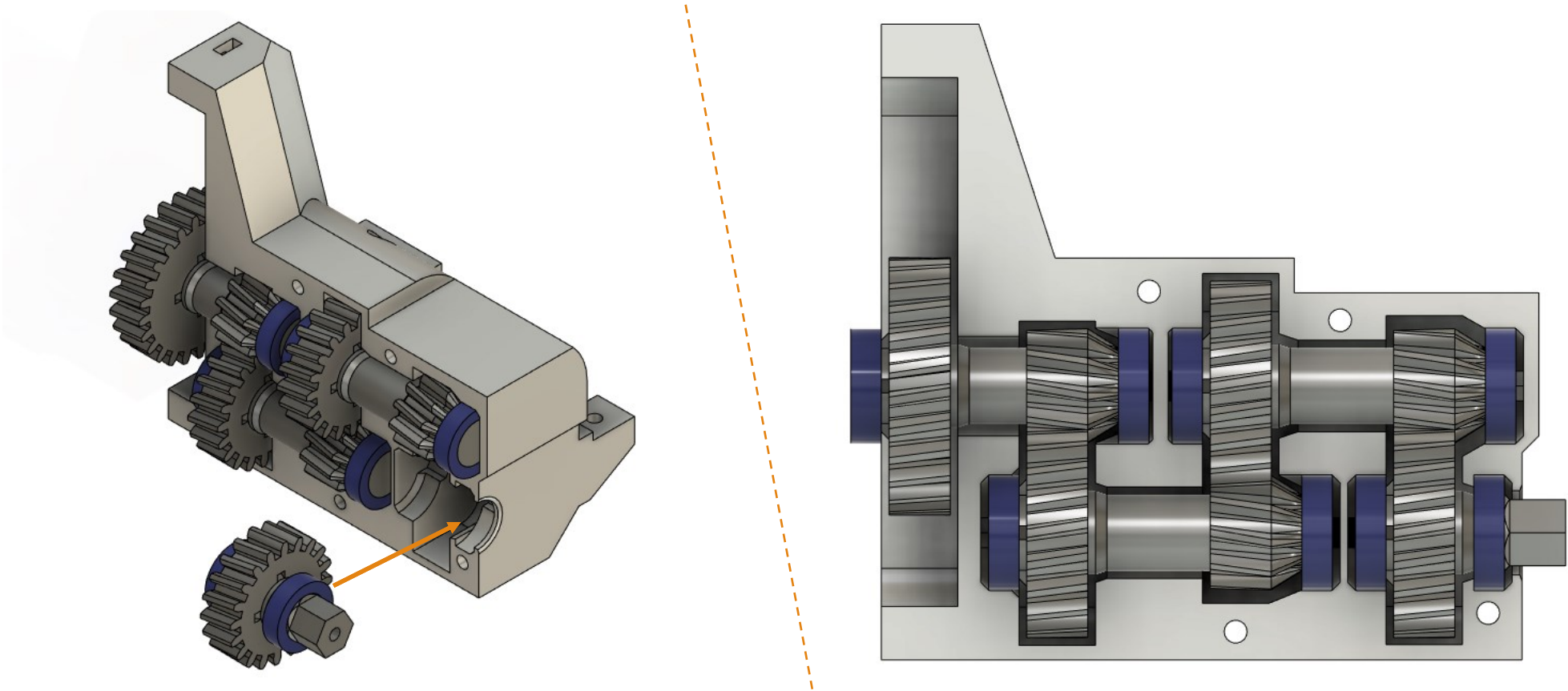
Transmission



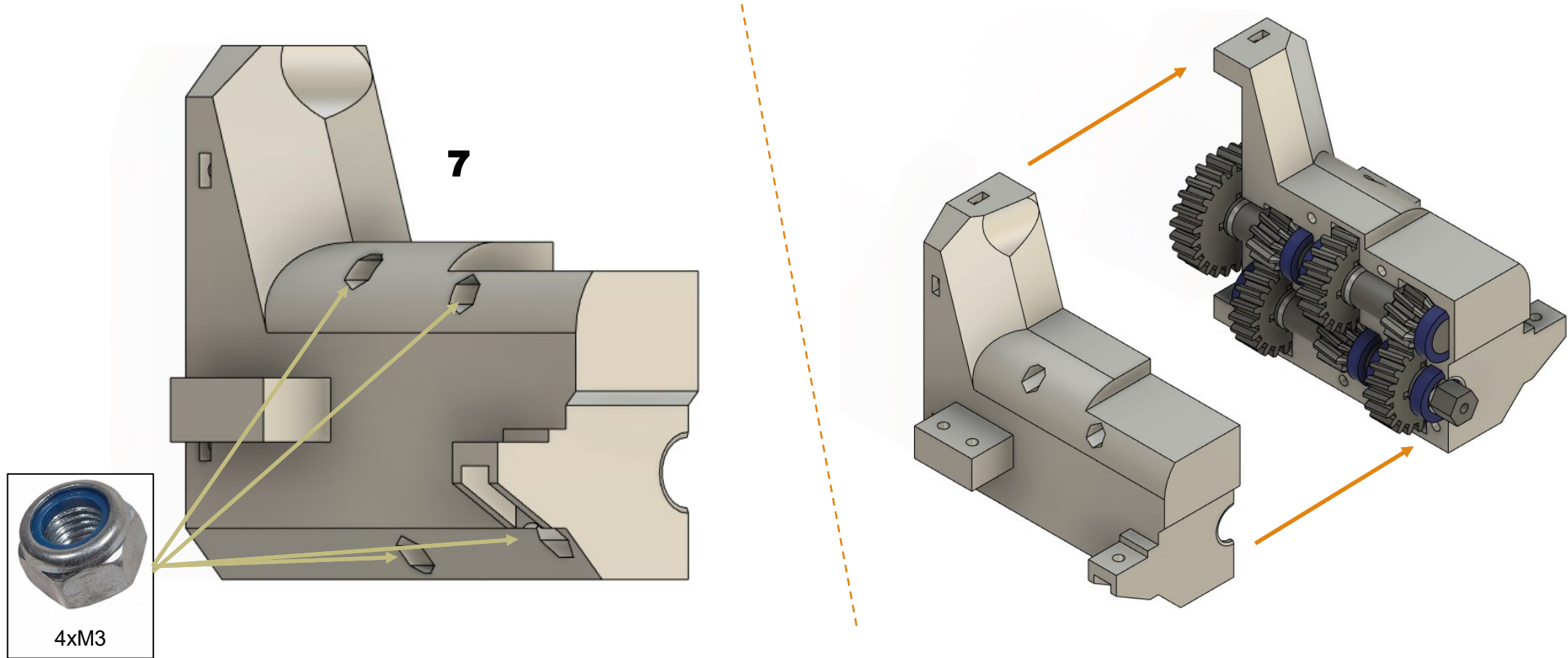
Transmission



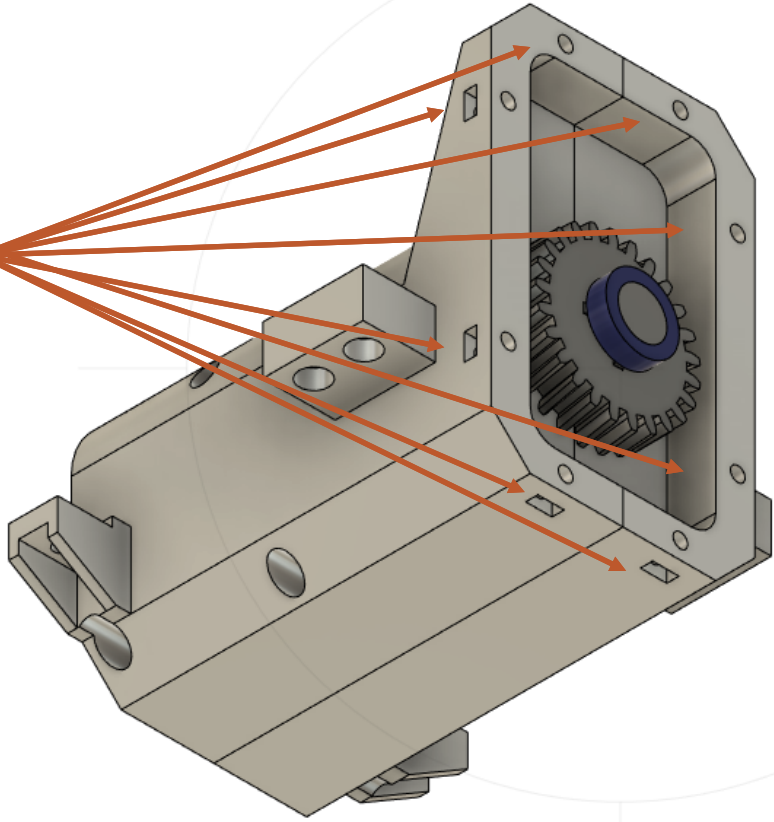
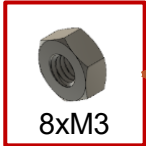
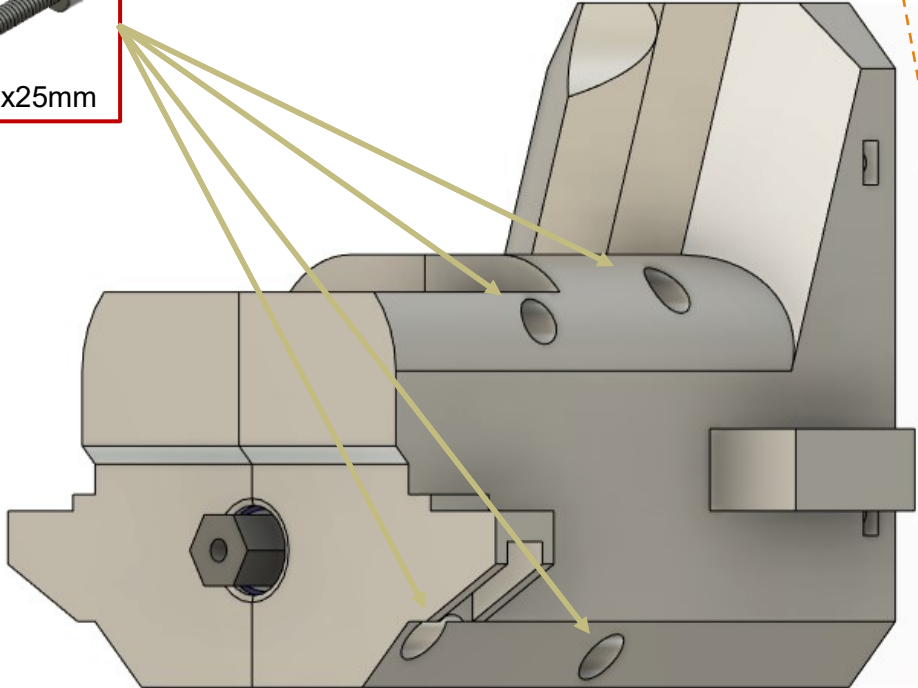
Transmission



Transmission

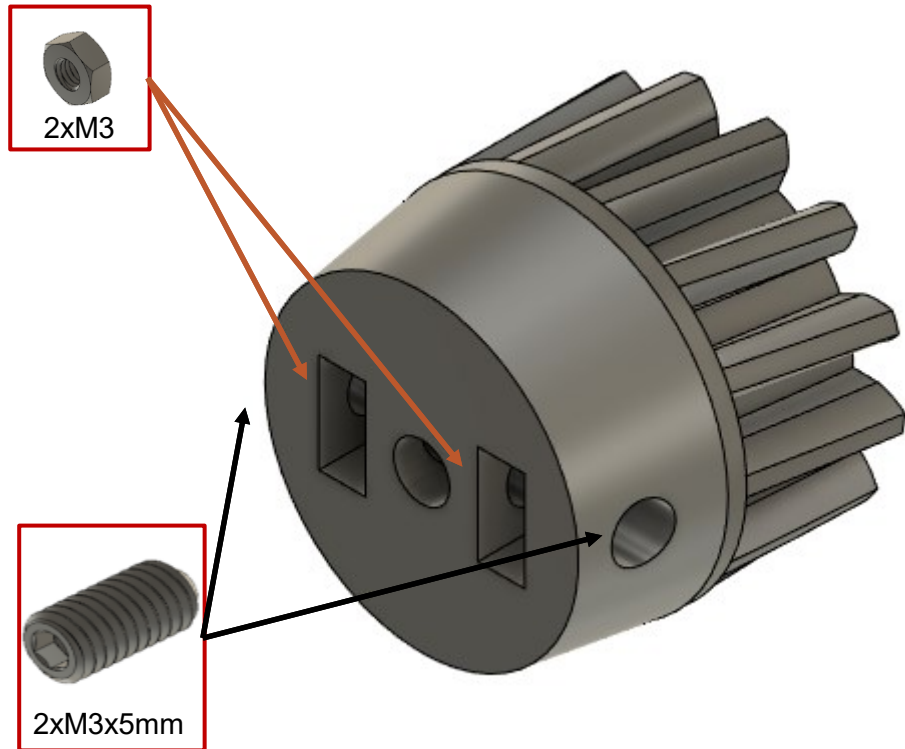


Transmission

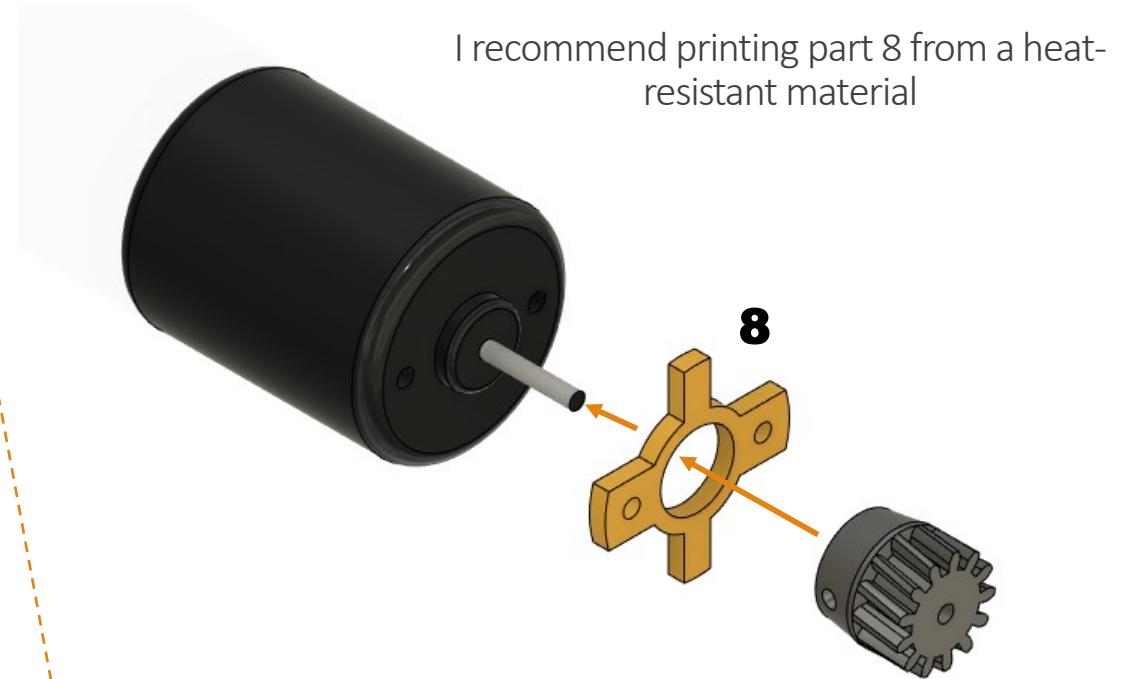


Transmission

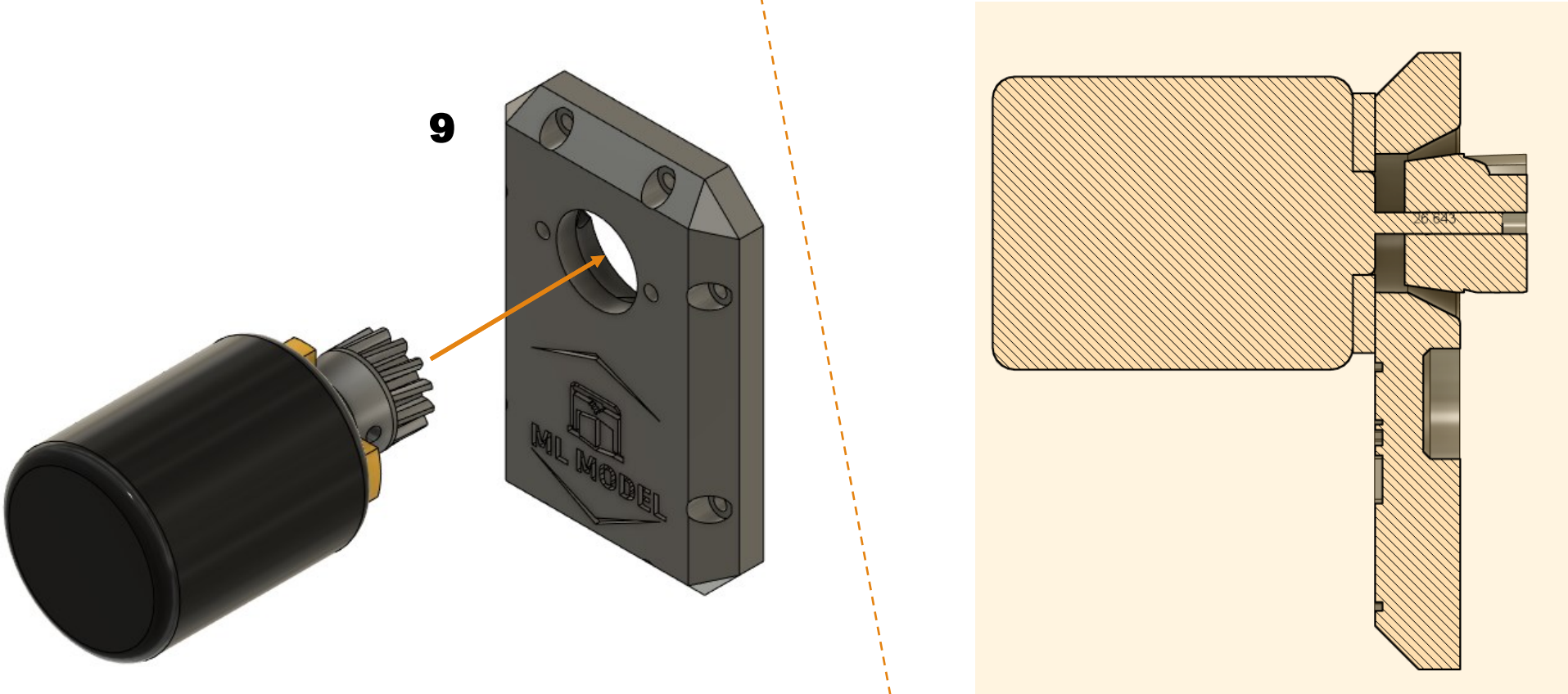
Motor you can choose: 540/550 T55 DC
or
C3548 900kv AC



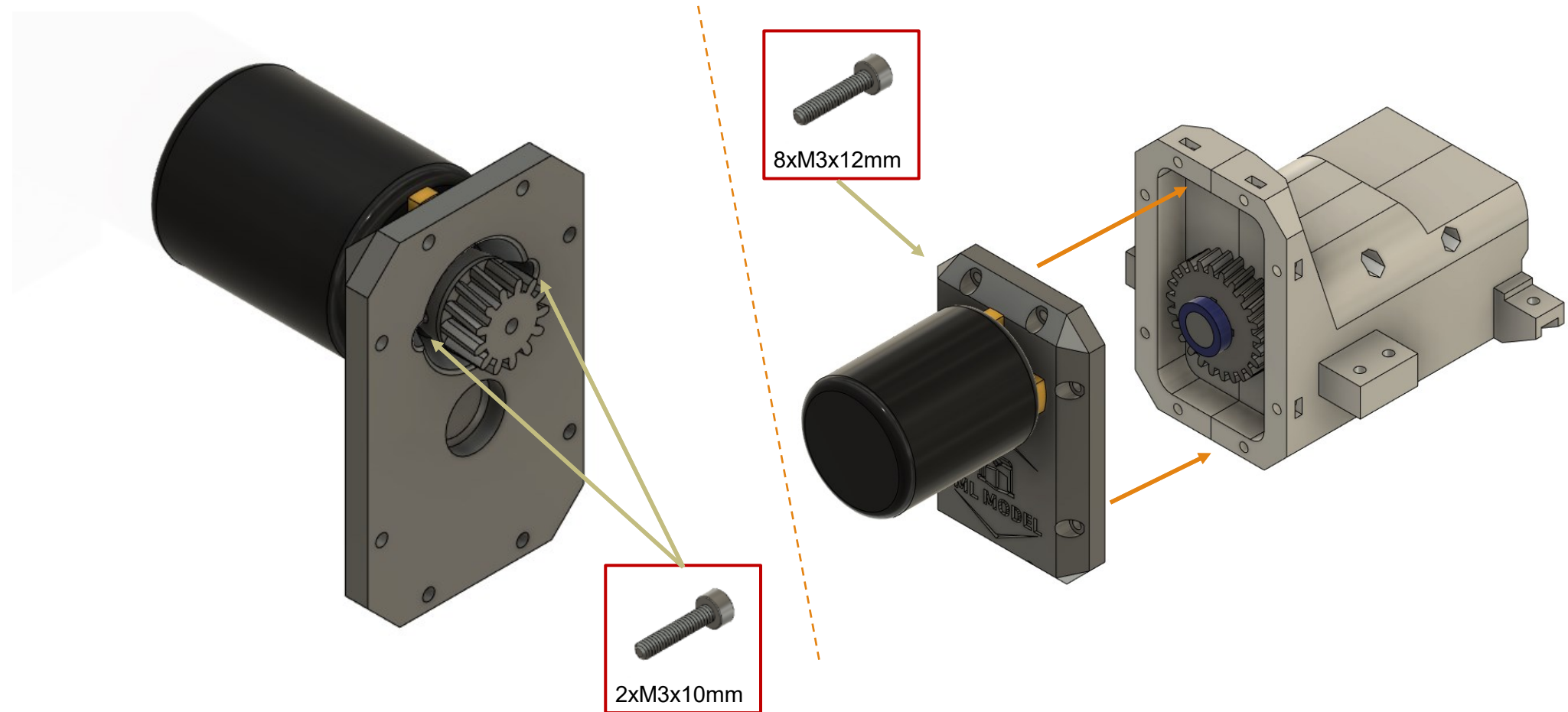
Same procedure for both pinions



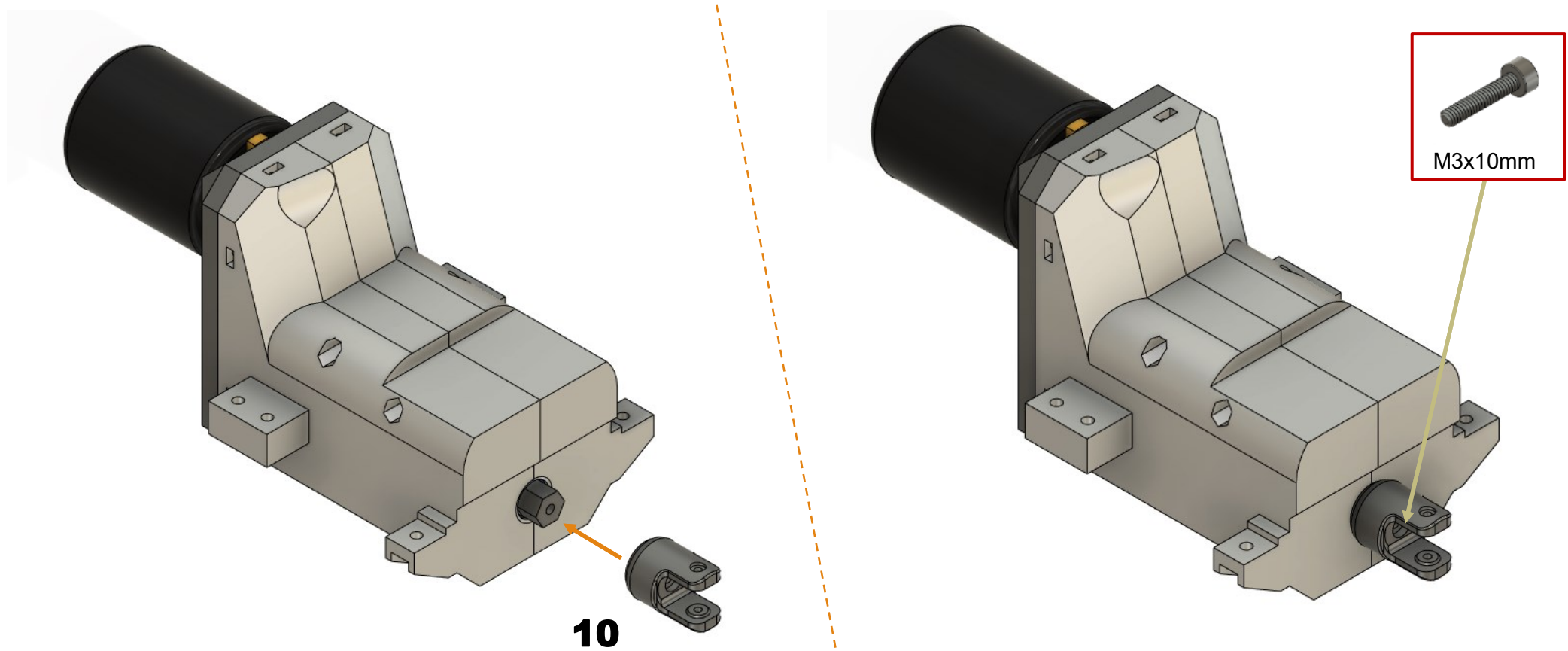
Transmission

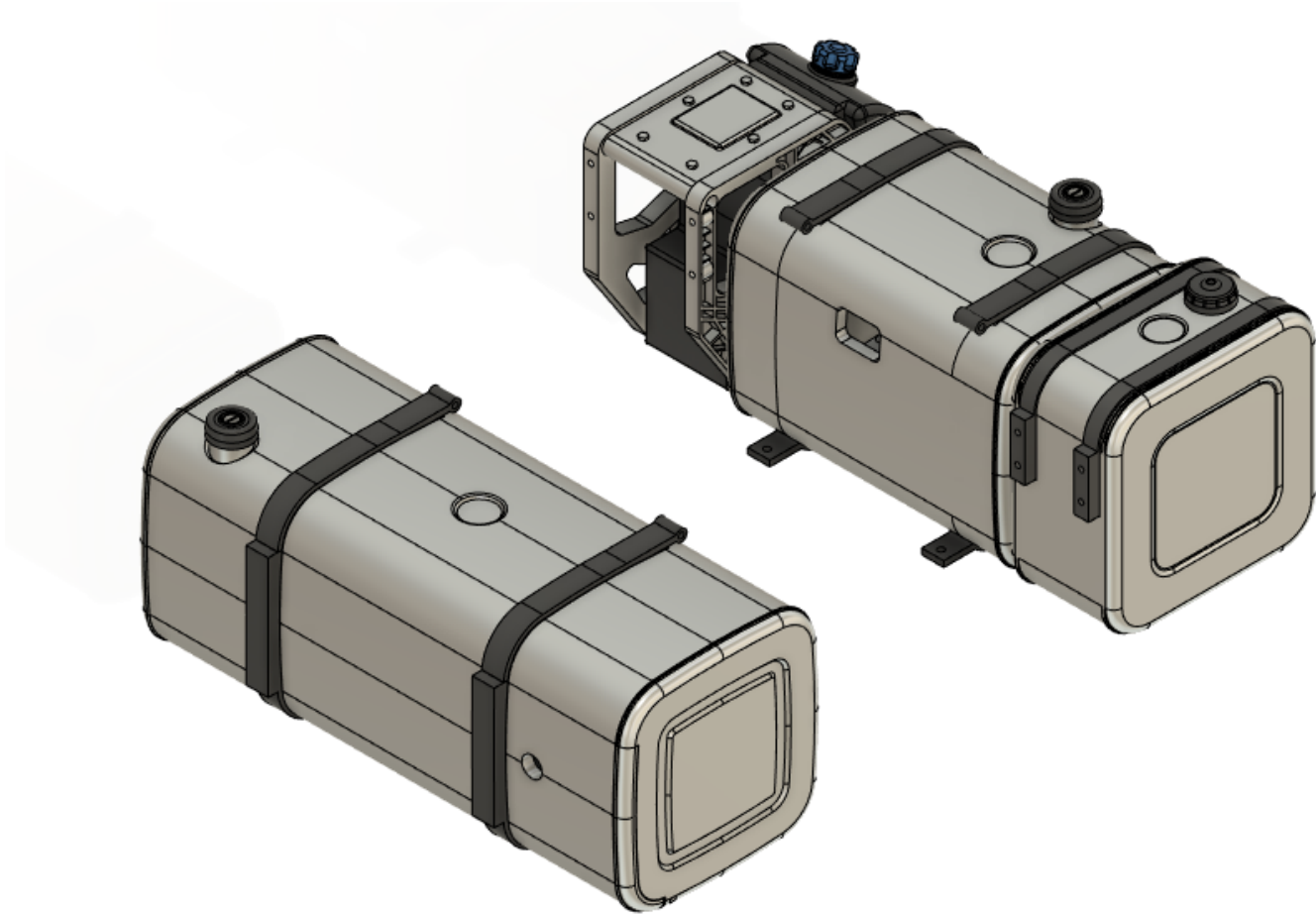


Transmission



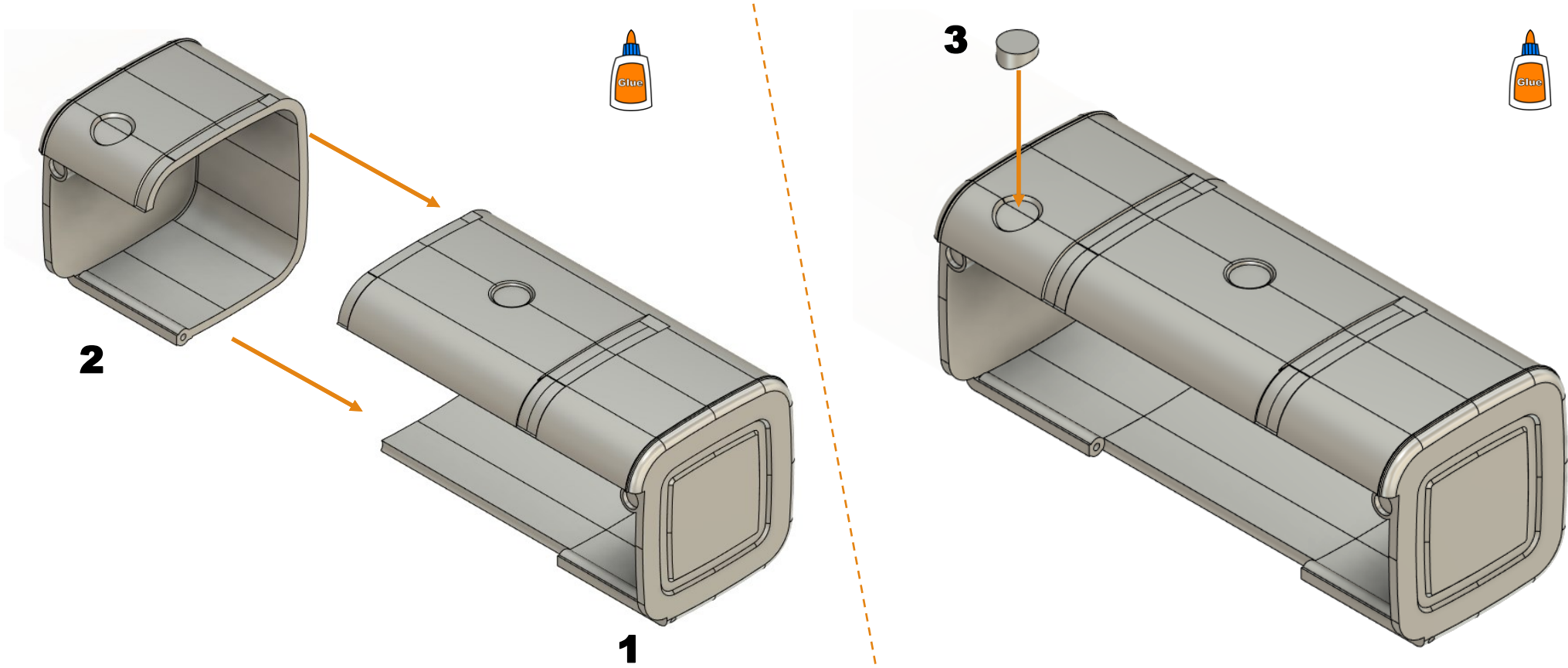
Transmission



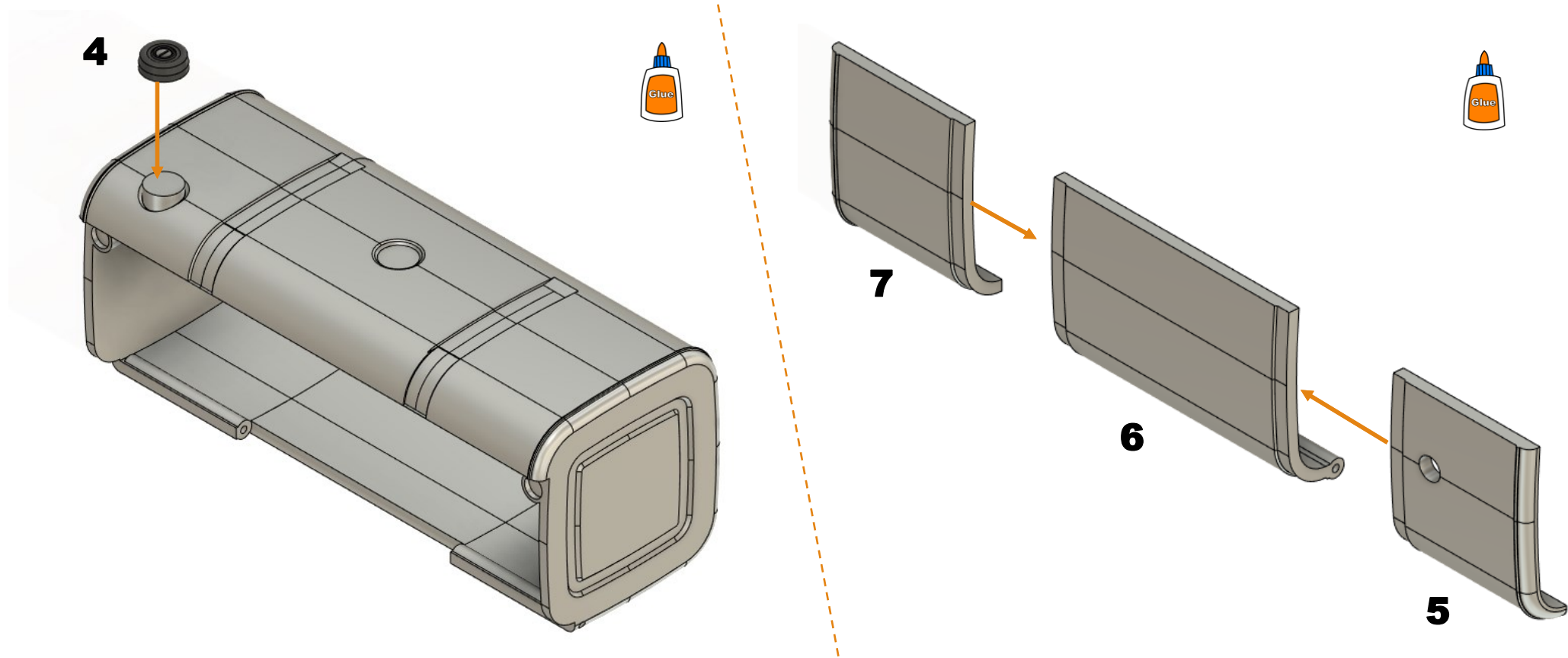


Tanks

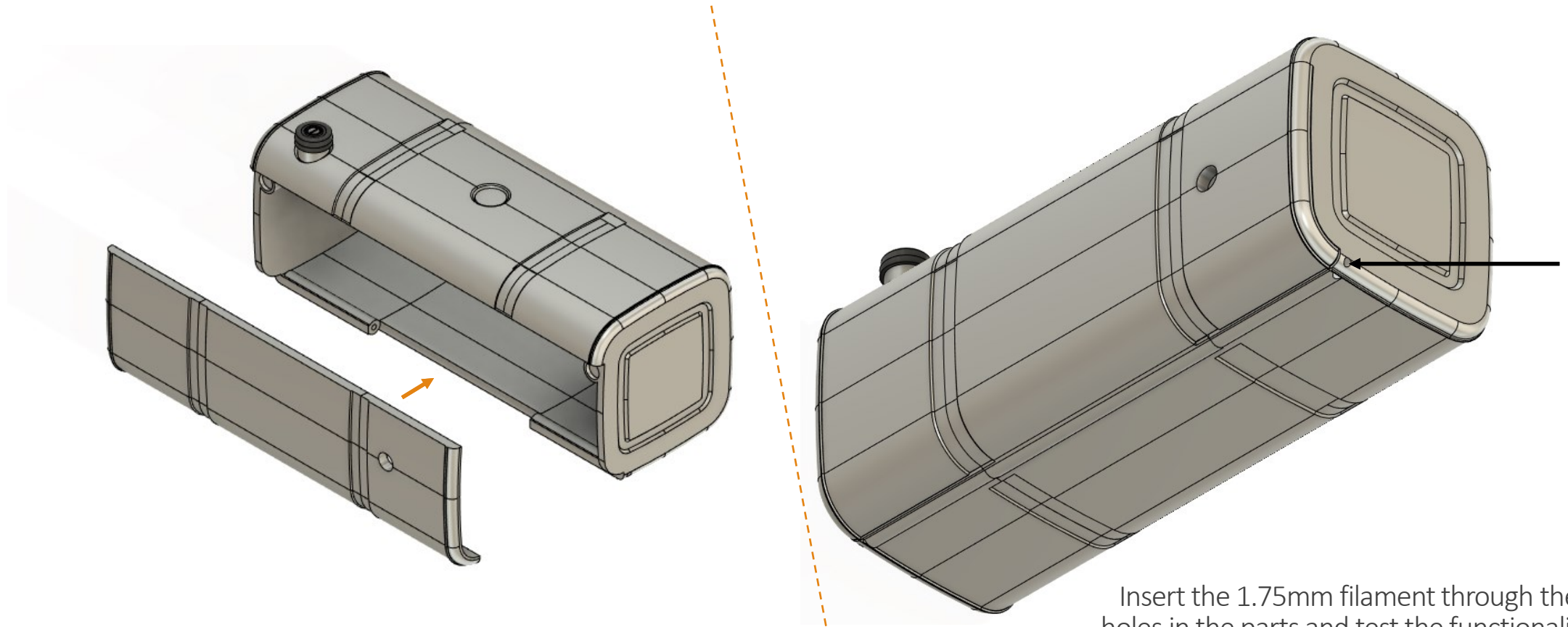
Tanks



Tanks

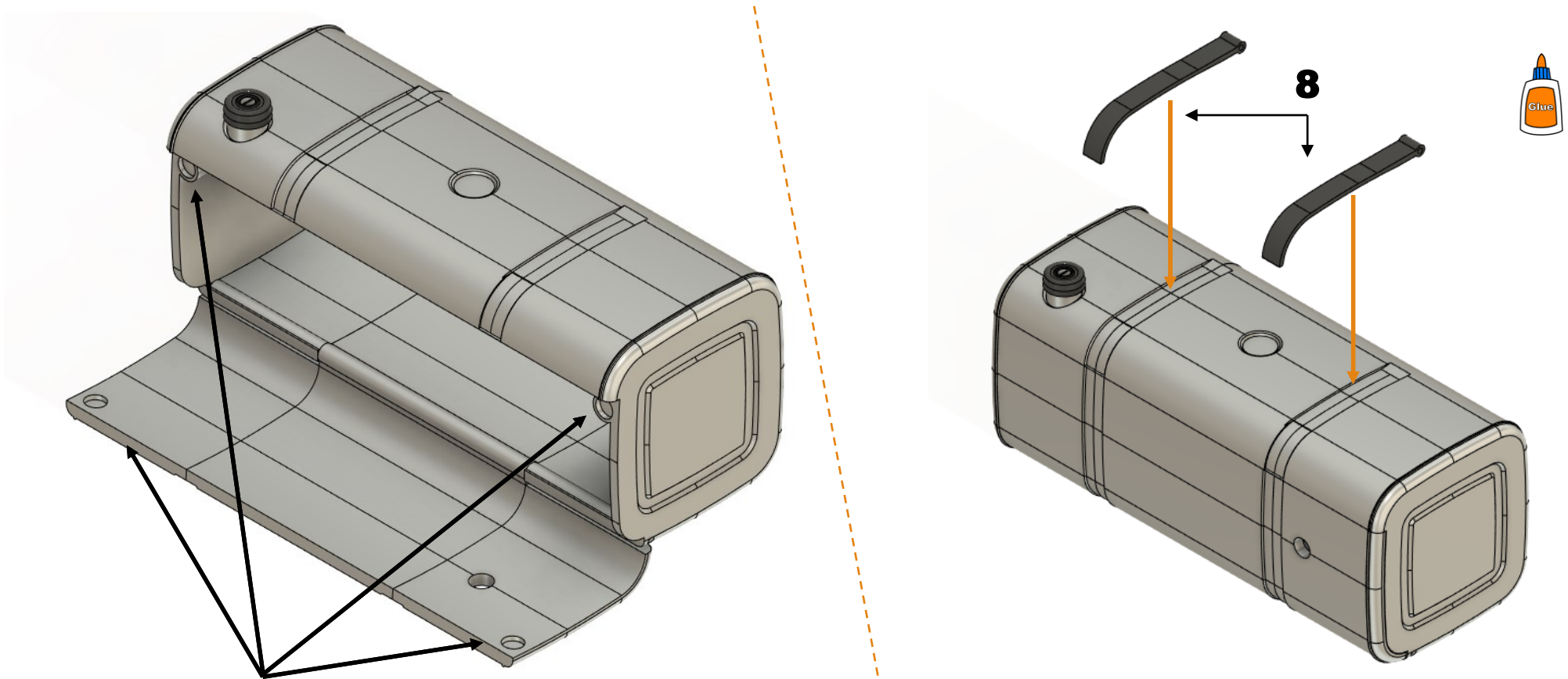


Tanks



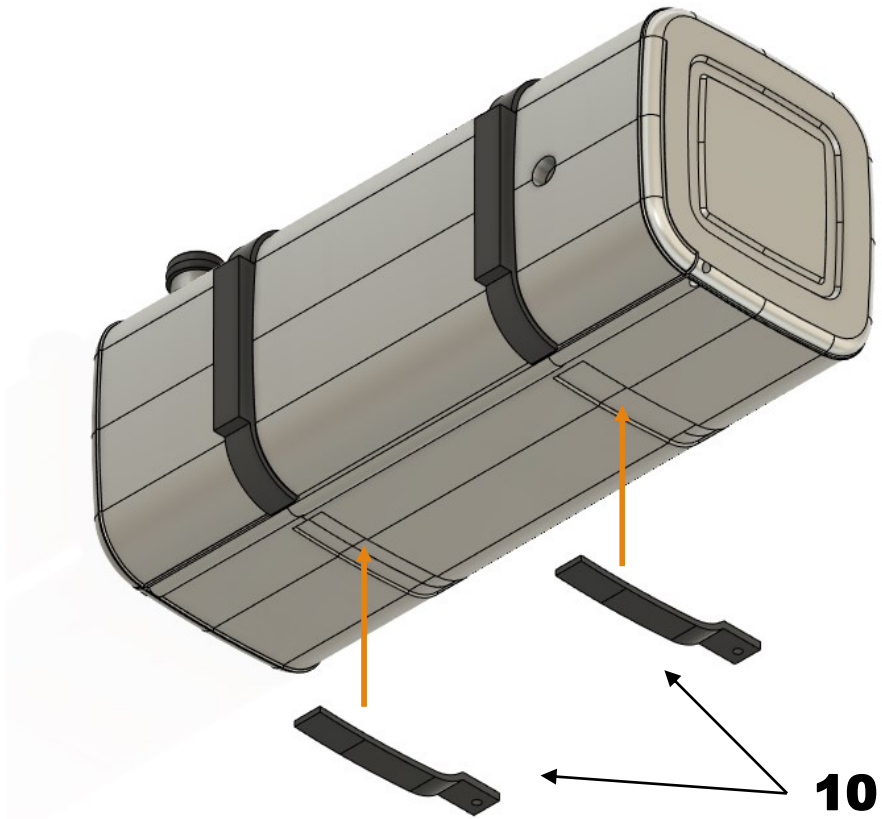
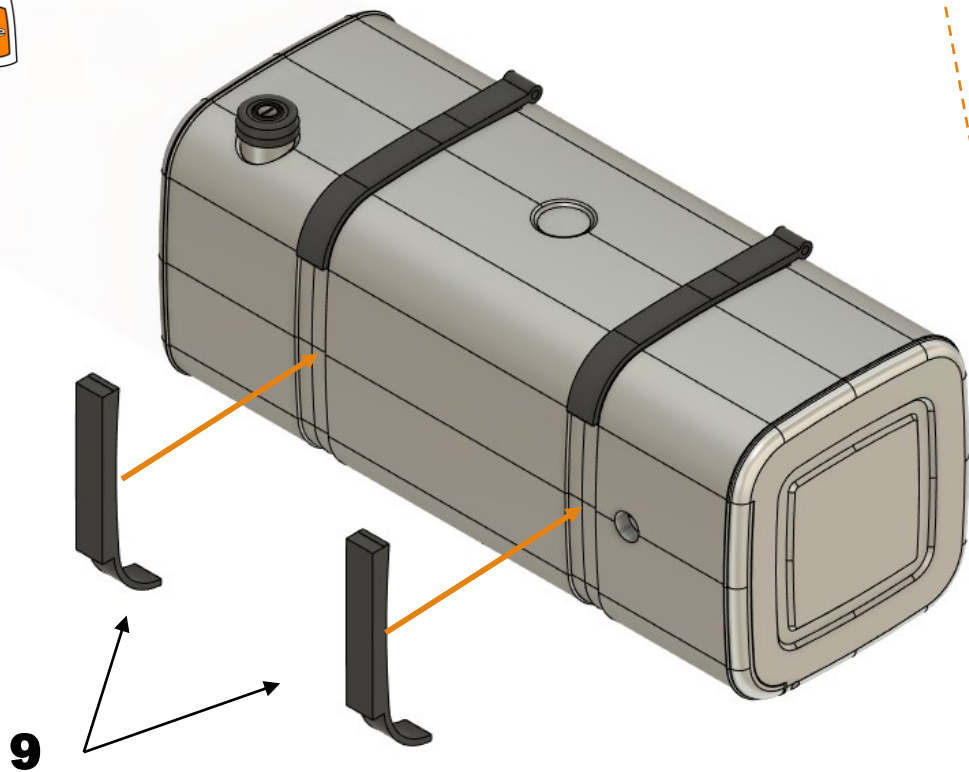
Insert the 1.75mm filament through the holes in the parts and test the functionality.

Tanks

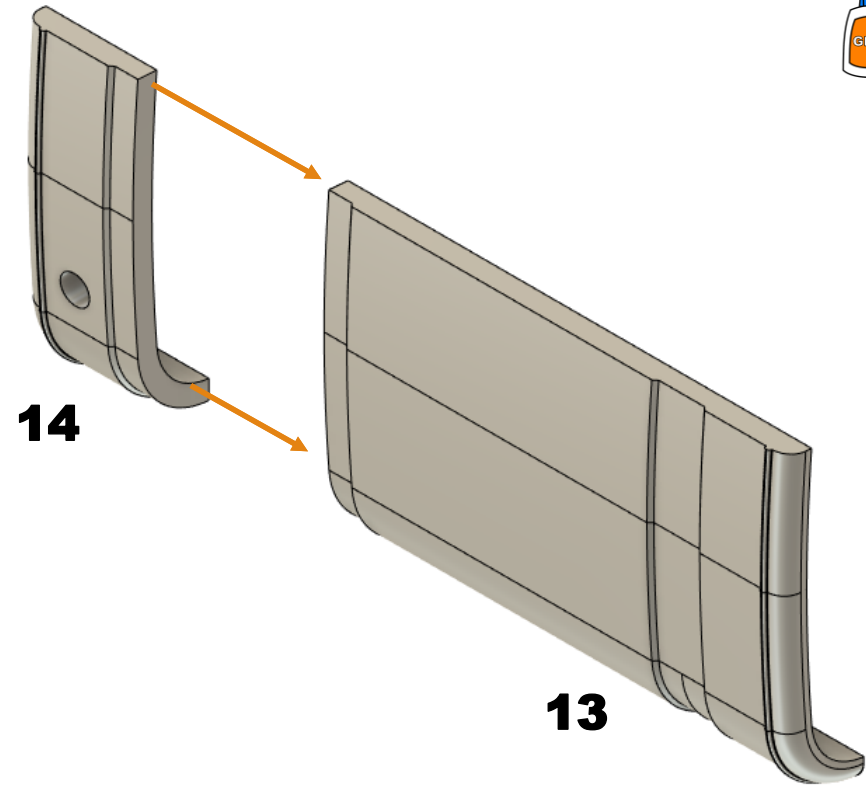
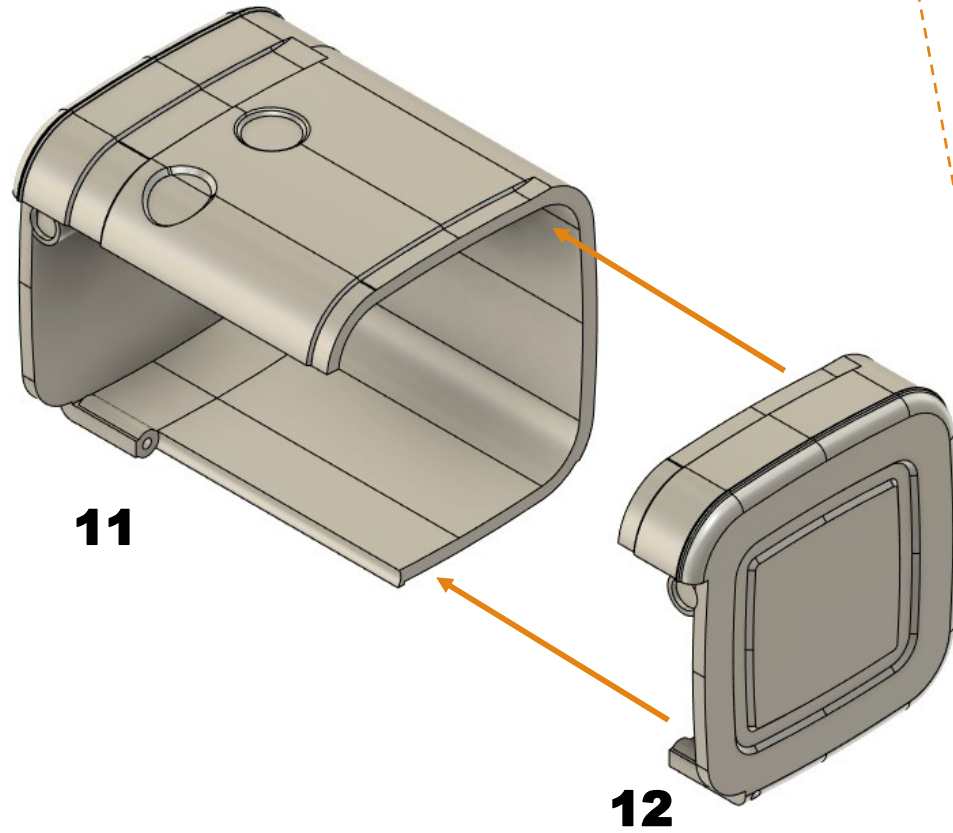


Glue the magnets, pay attention to the polarity of the magnet.

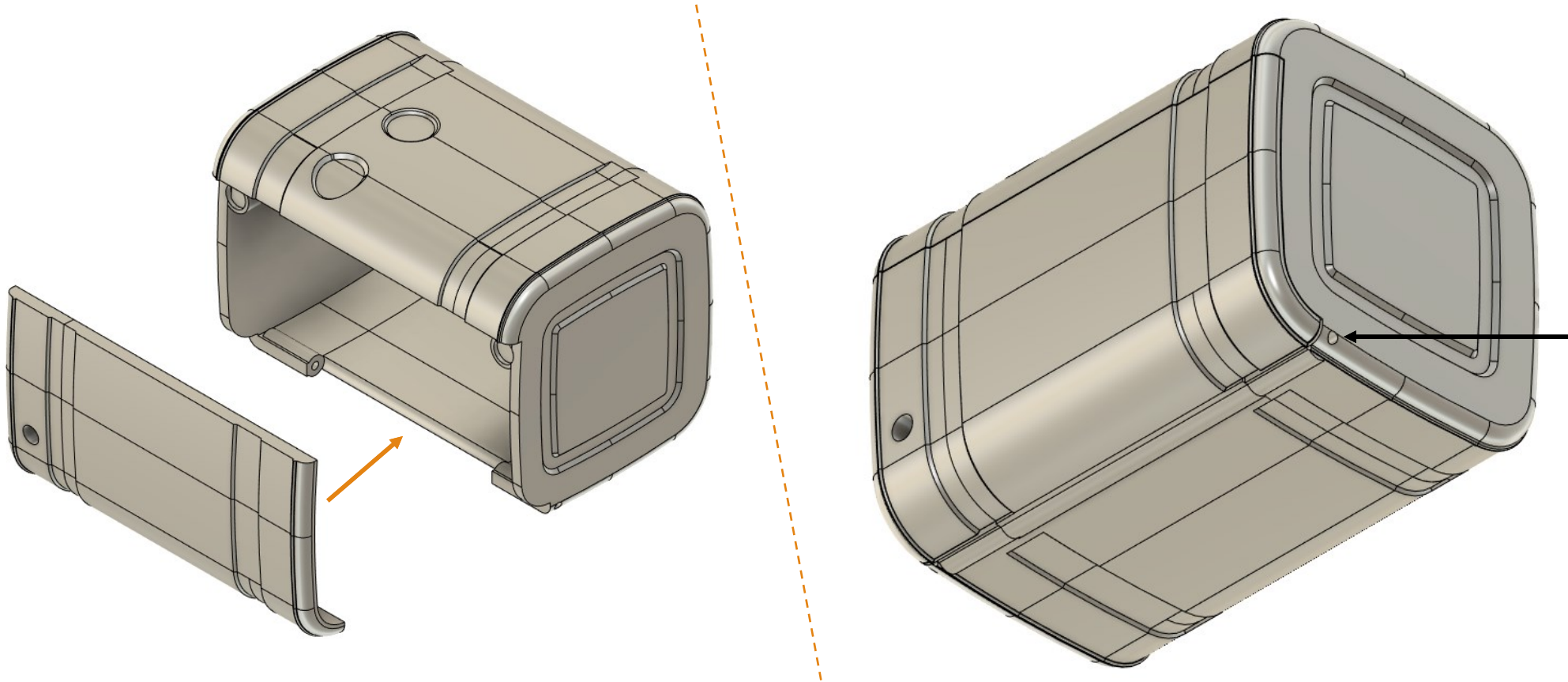
Tanks



Tanks

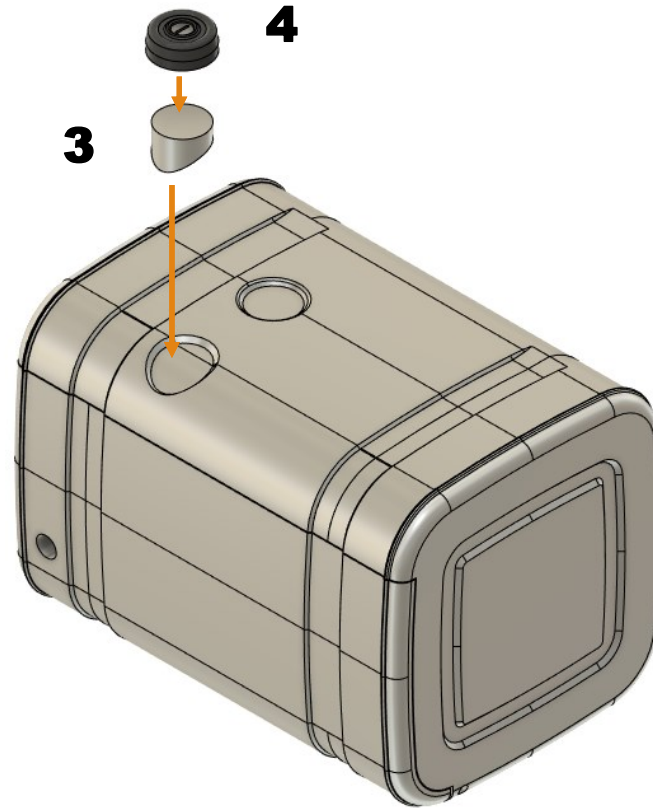
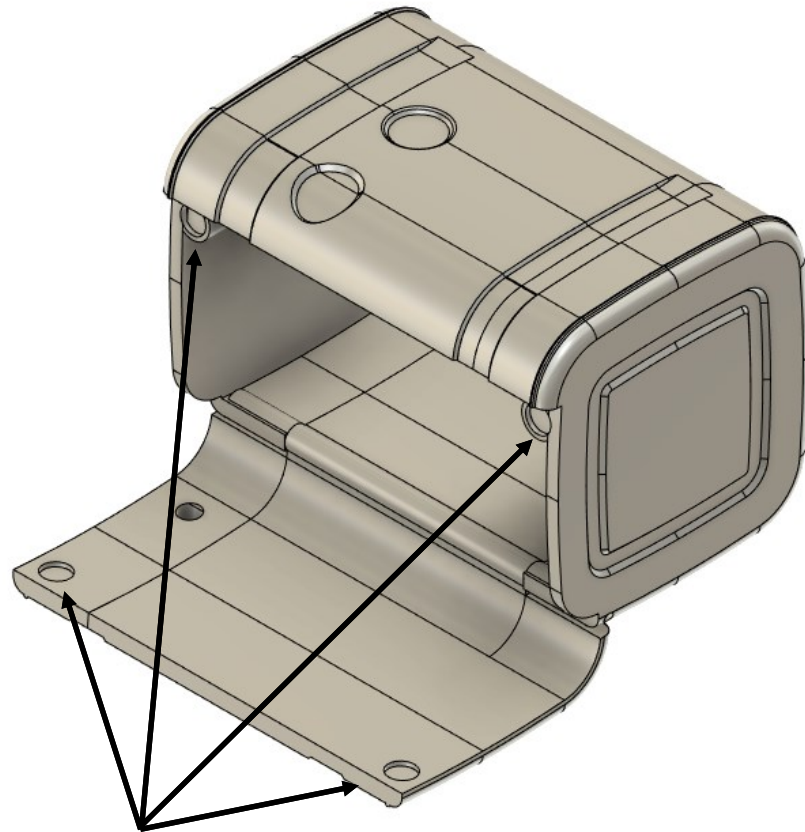


Tanks



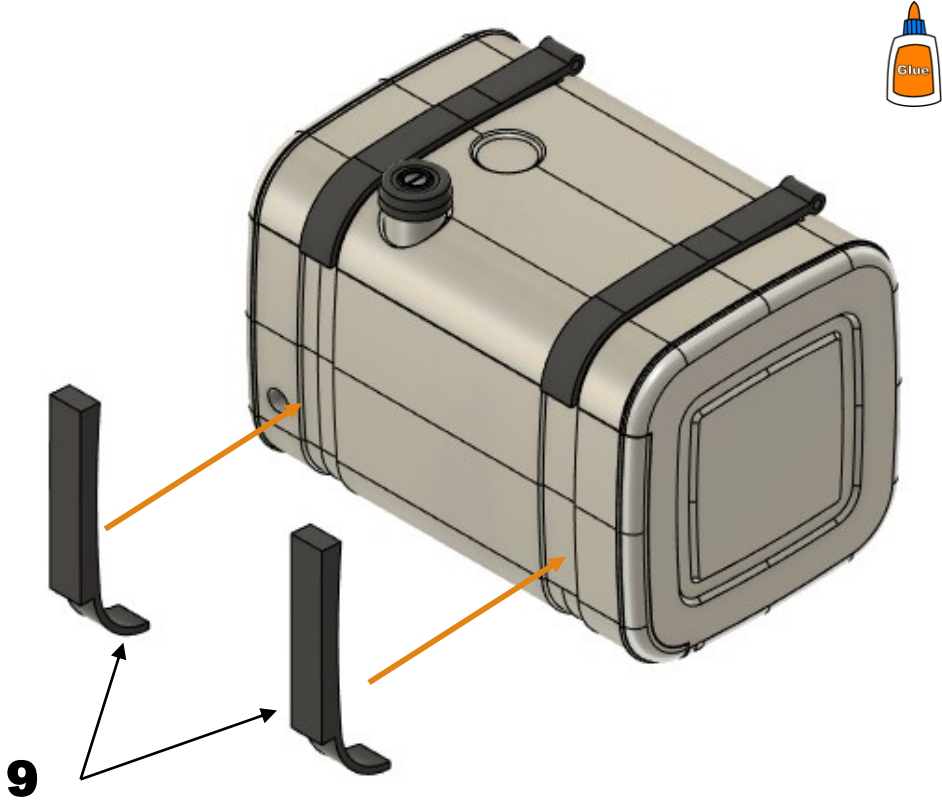
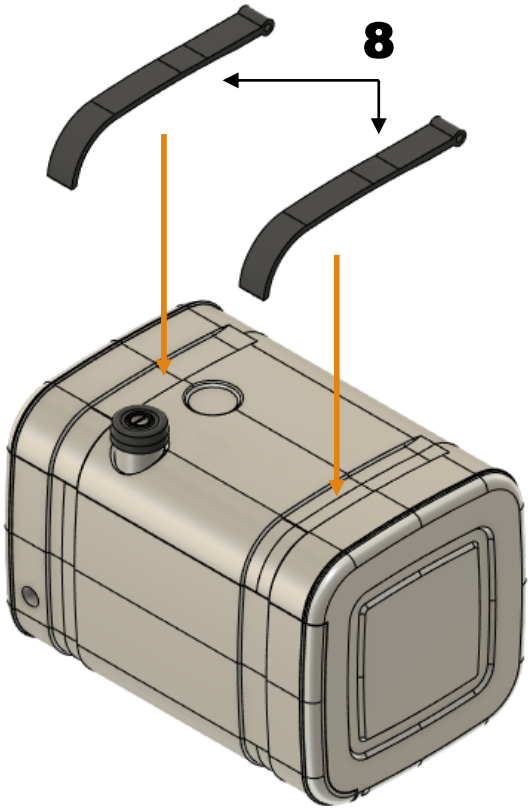
Insert the 1.75mm filament through the holes in the parts and test the functionality.

Tanks

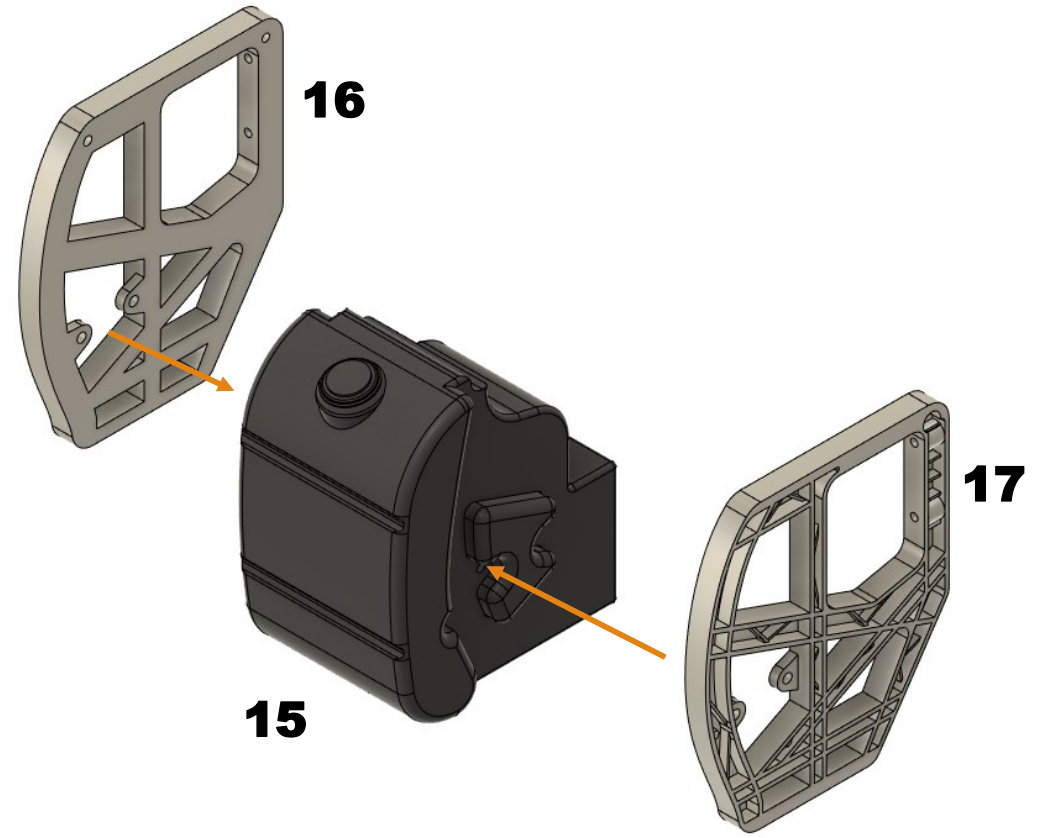
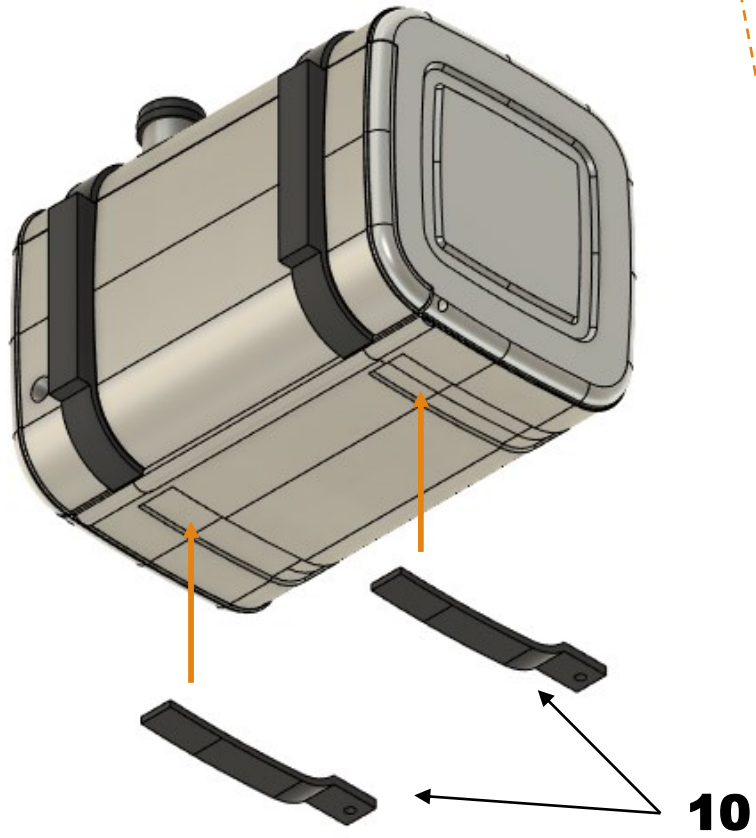


Glue the magnets, pay attention to the polarity of the magnet.

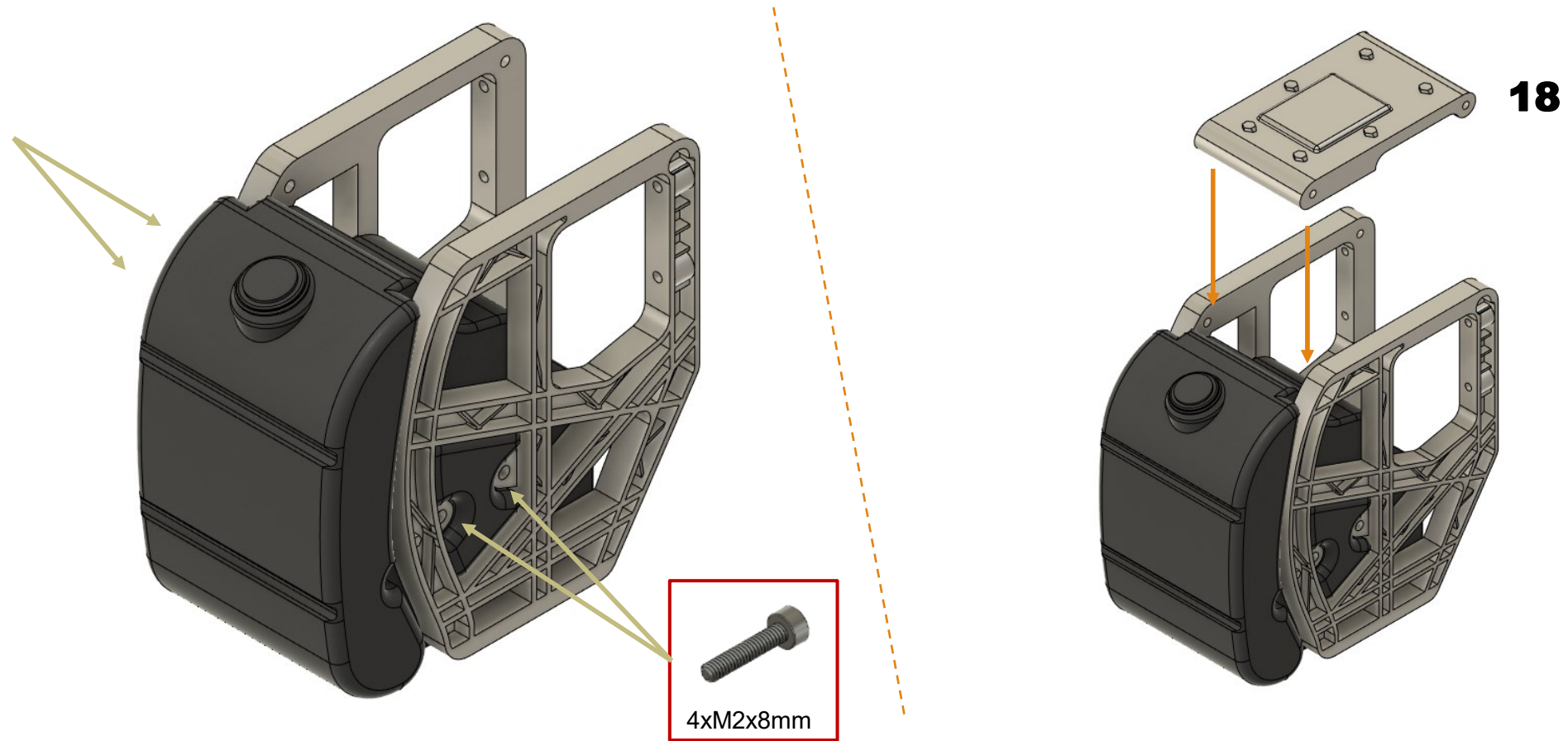
Tanks



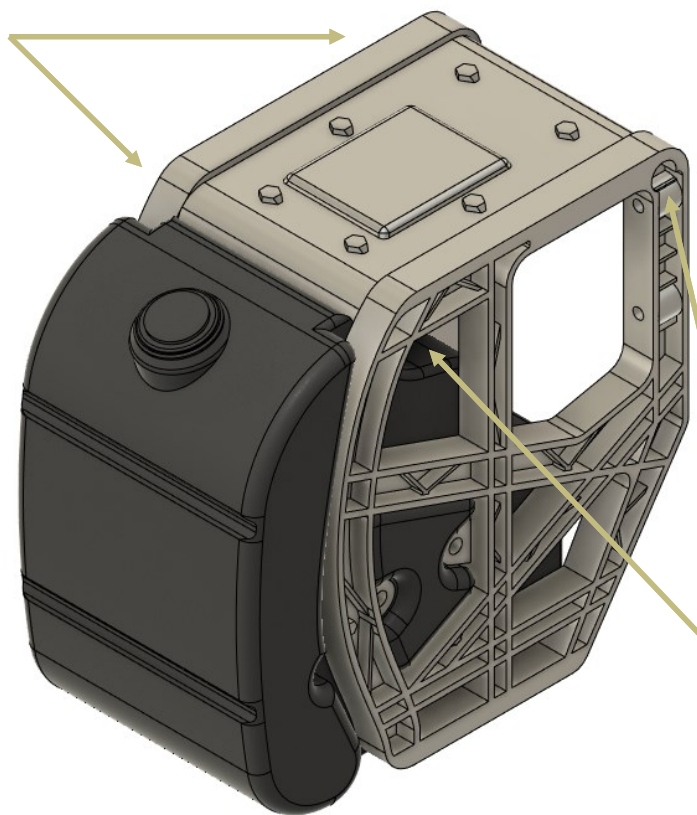
Tanks



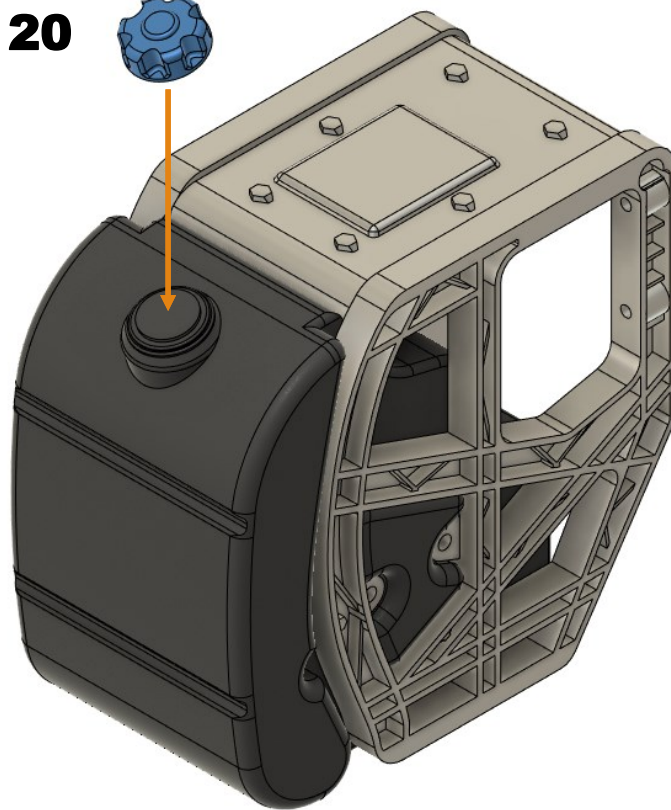
Tanks



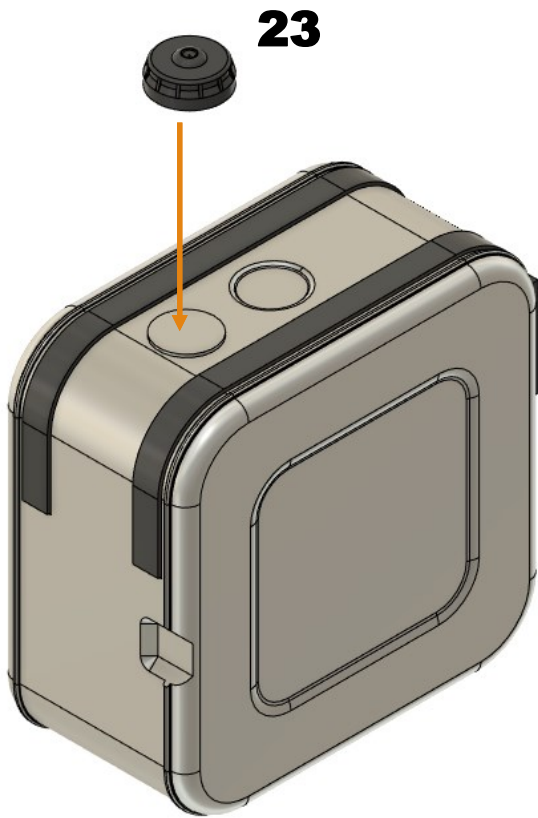
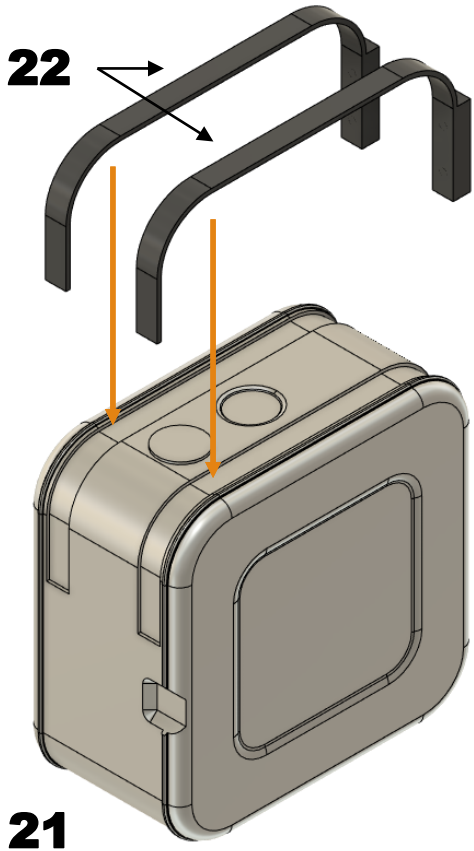
Tanks

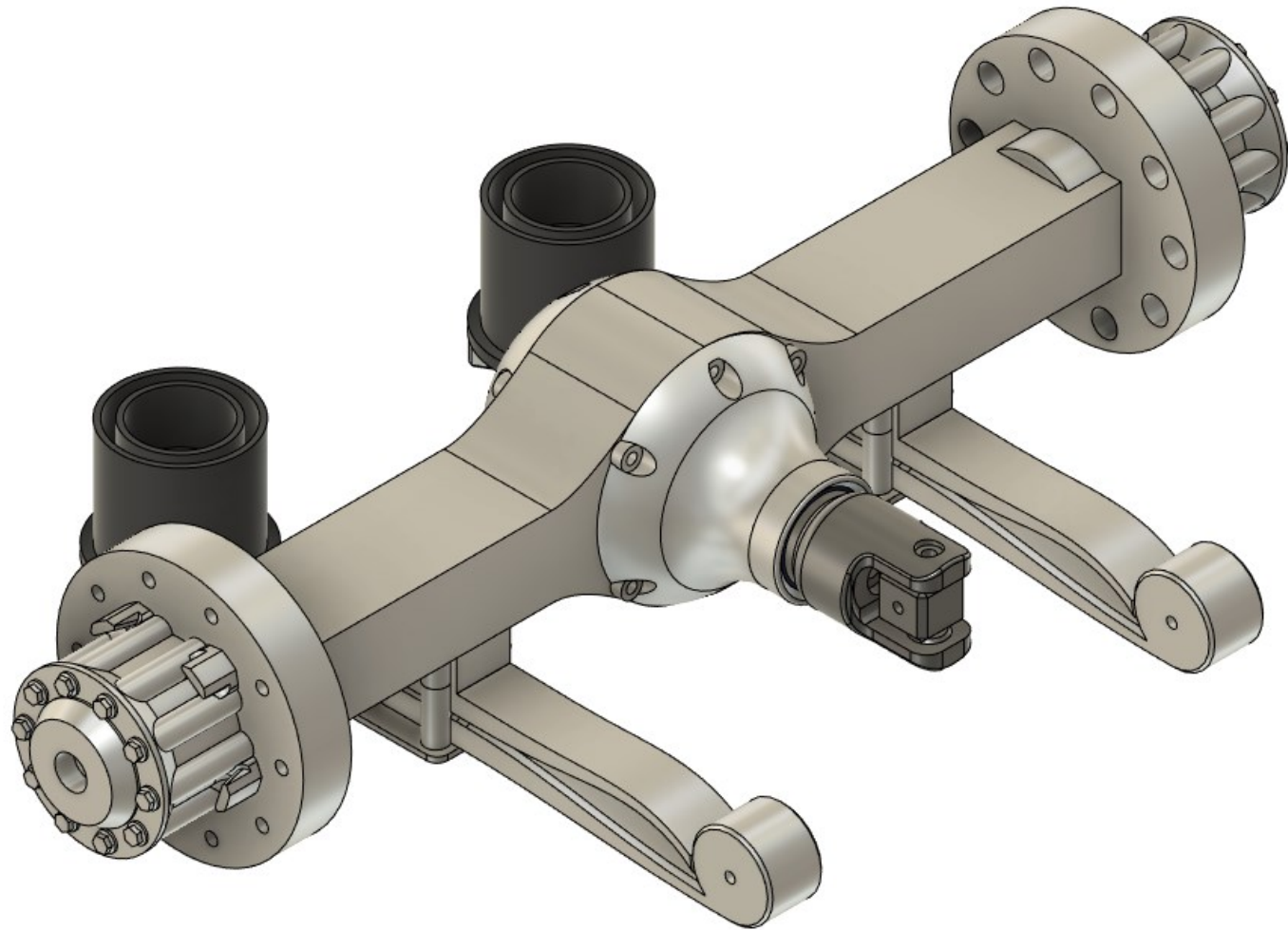


20



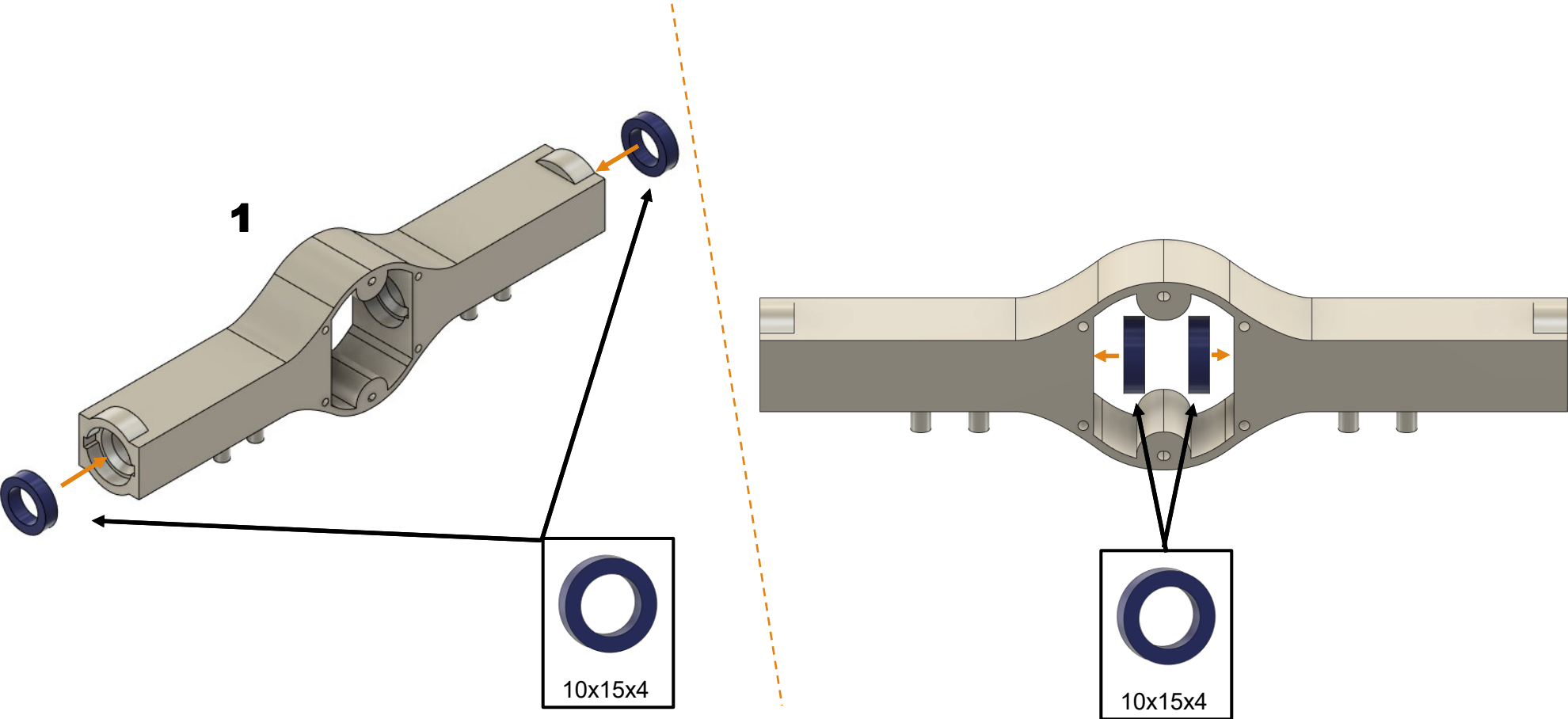
Tanks



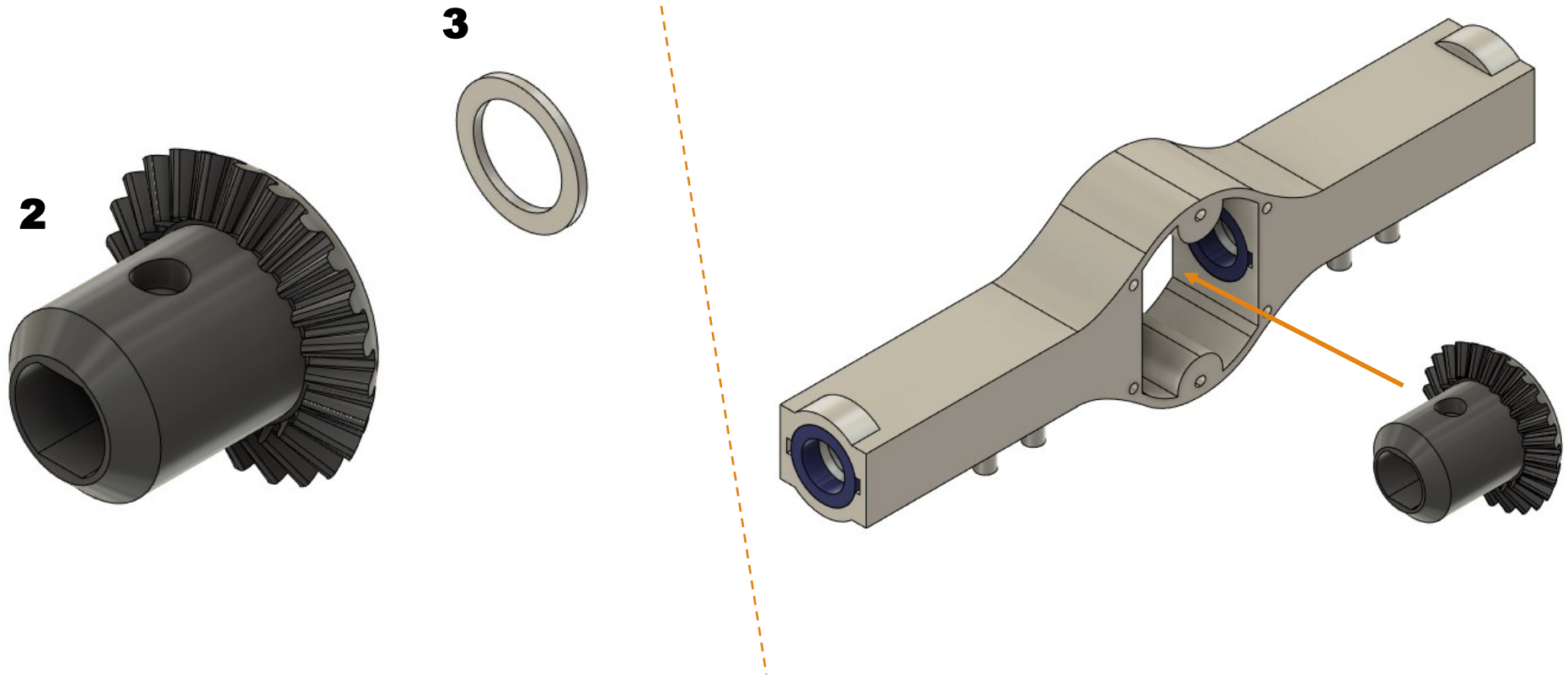


Rear_Axle

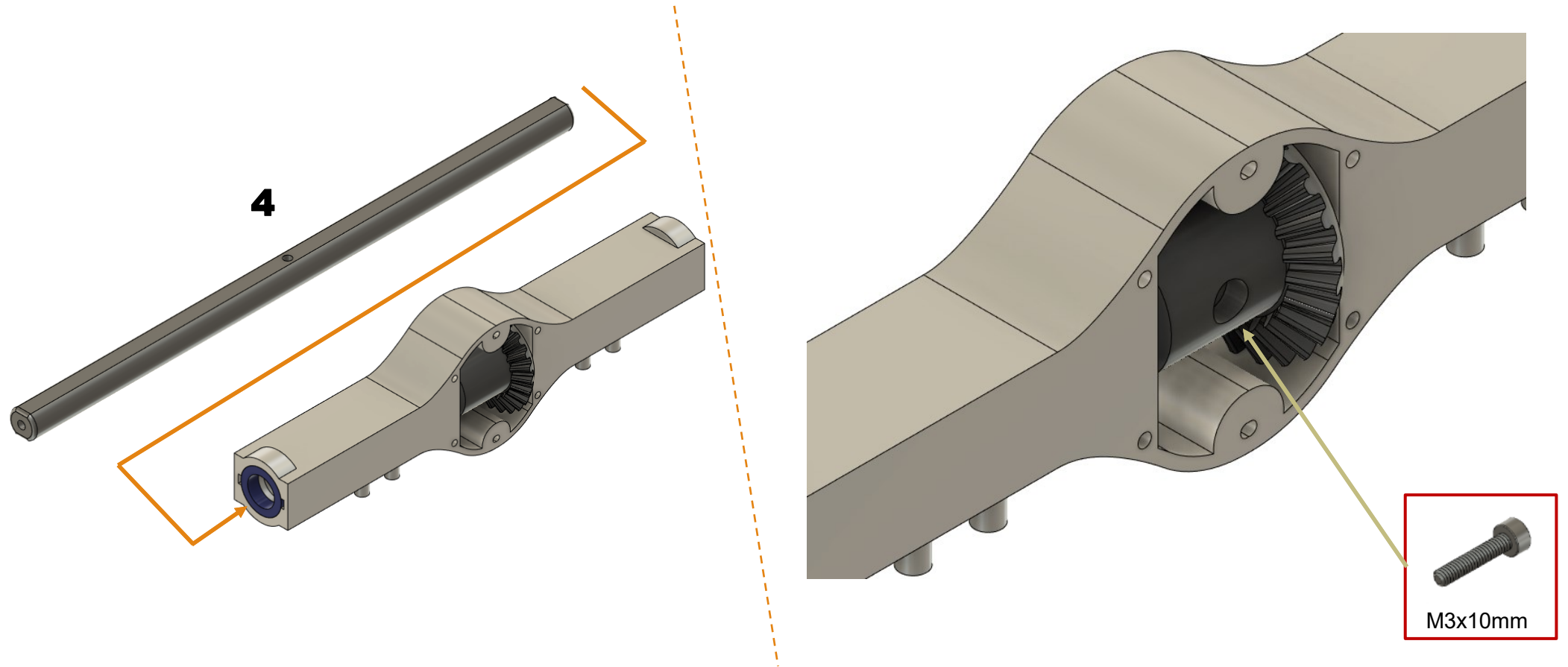
Rear_Axle



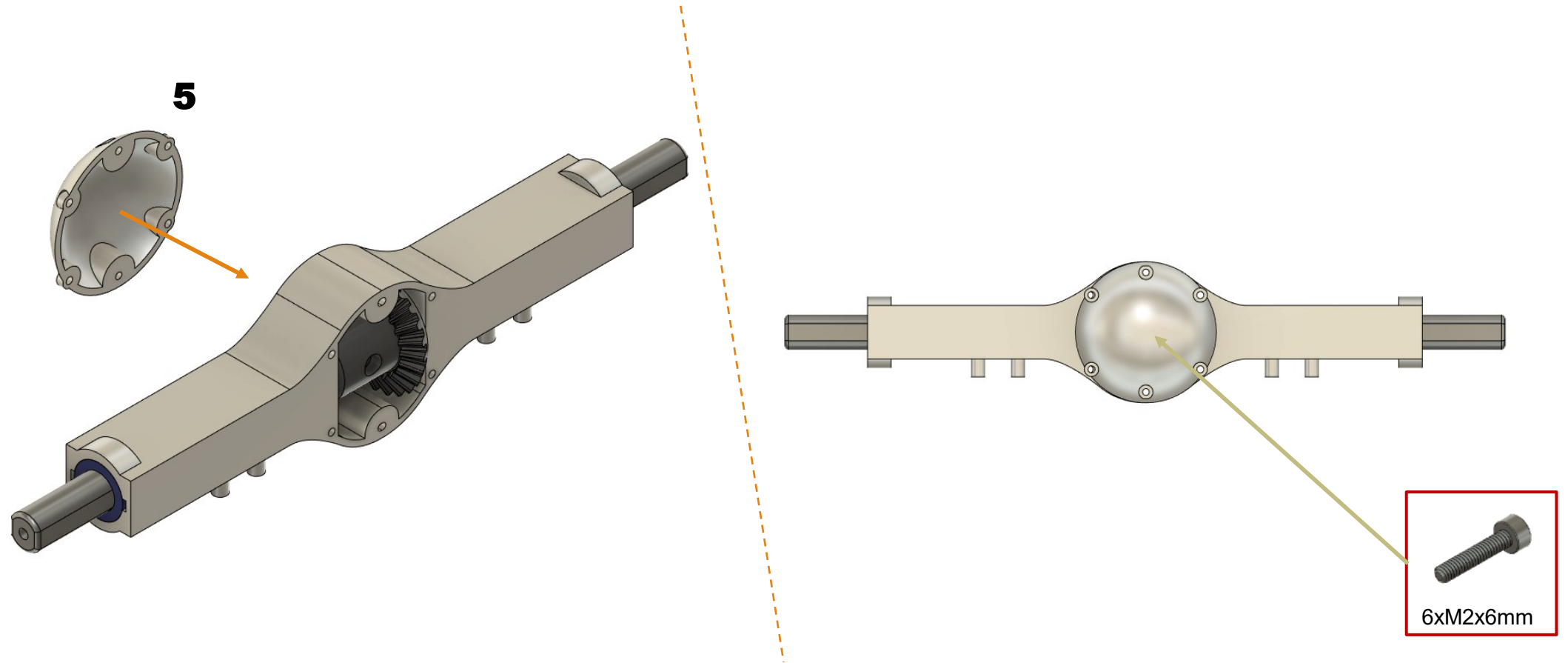
Rear_Axle



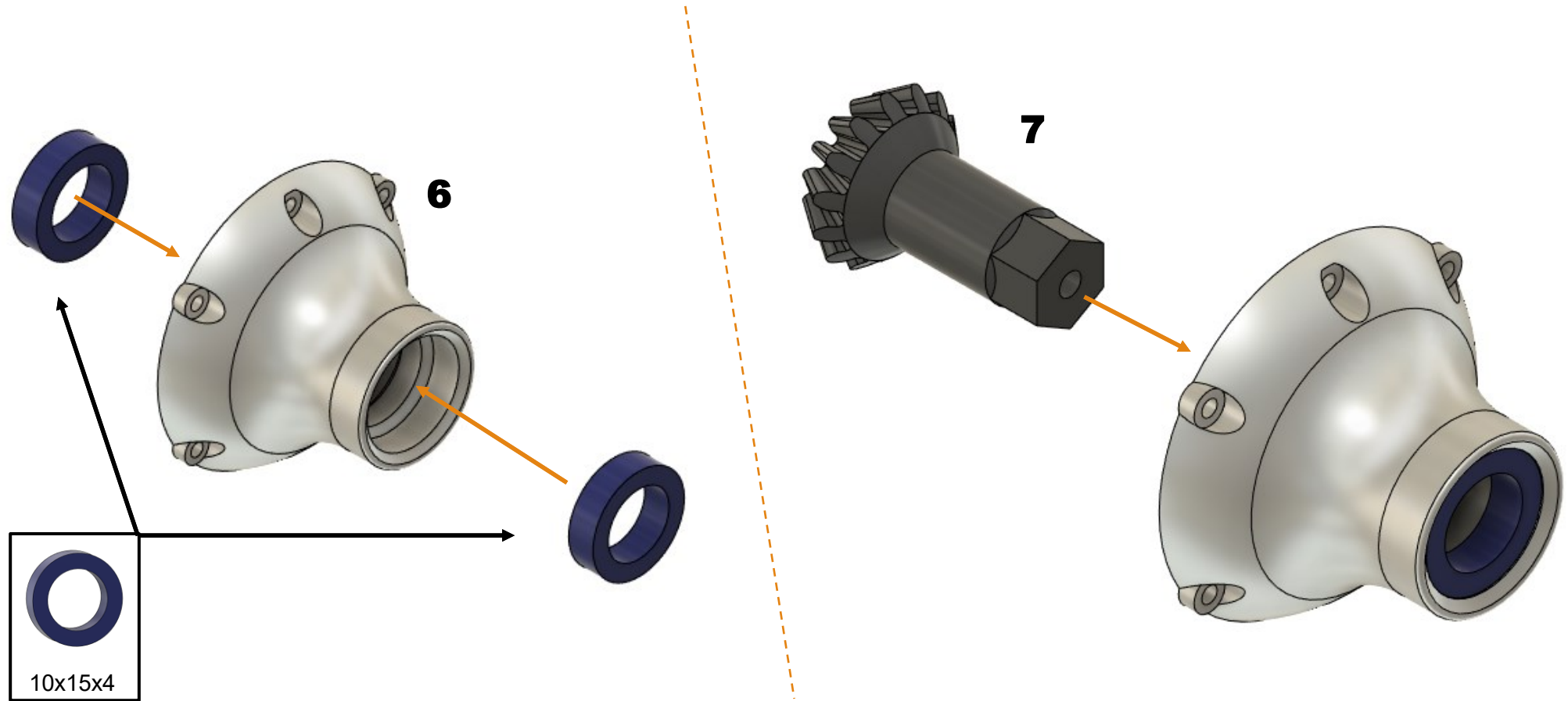
Rear_Axle



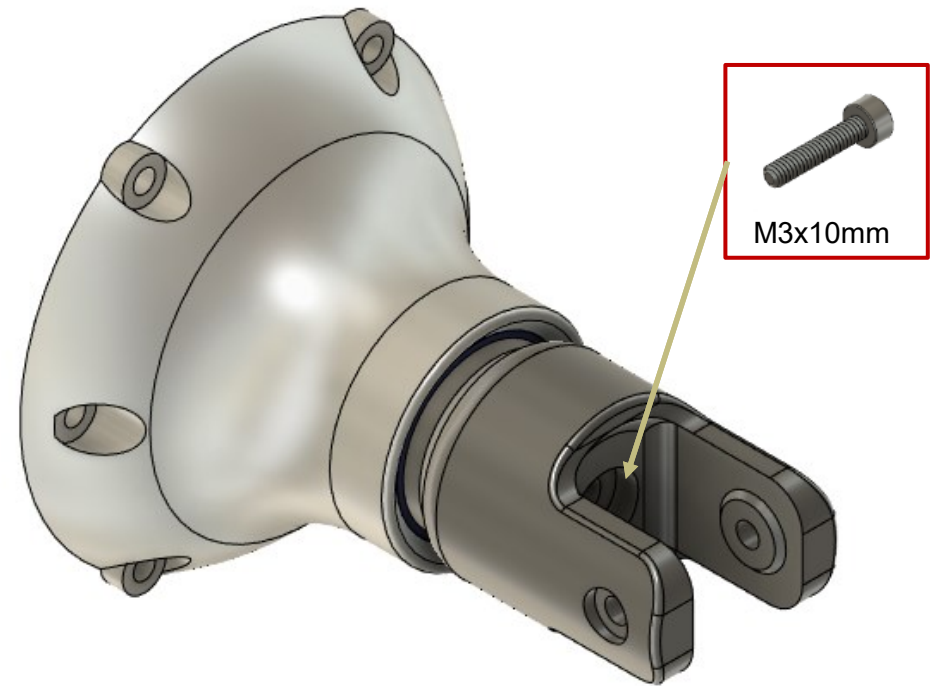
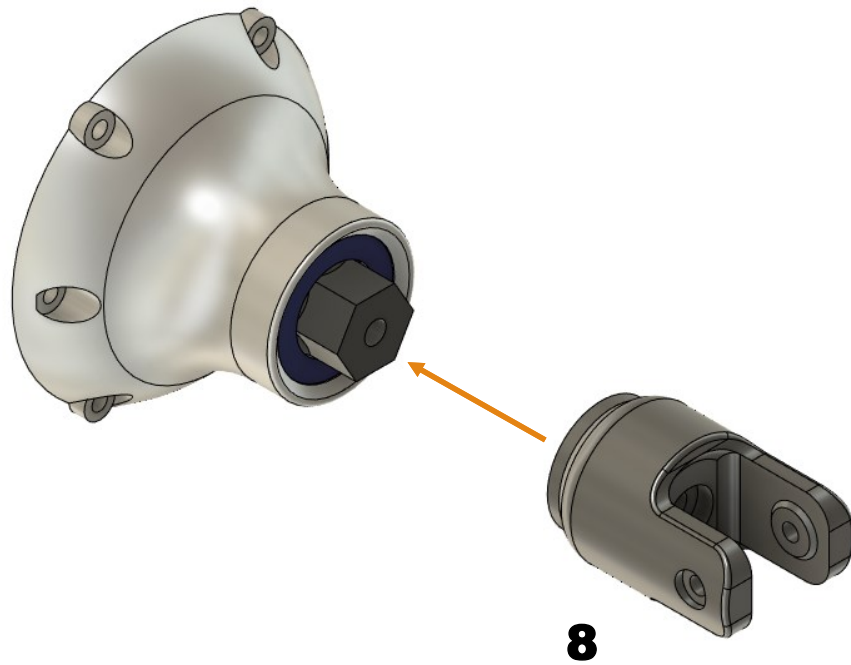
Rear_Axle



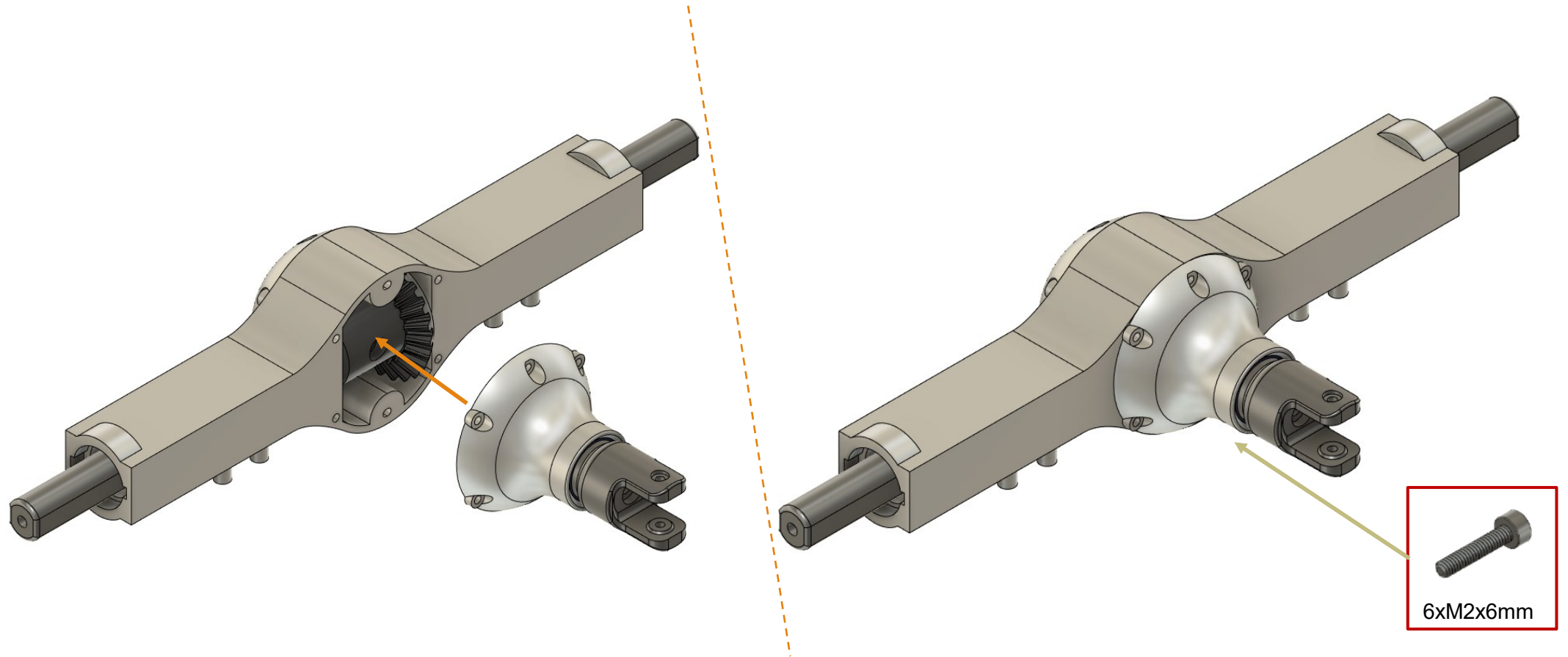
Rear_Axle



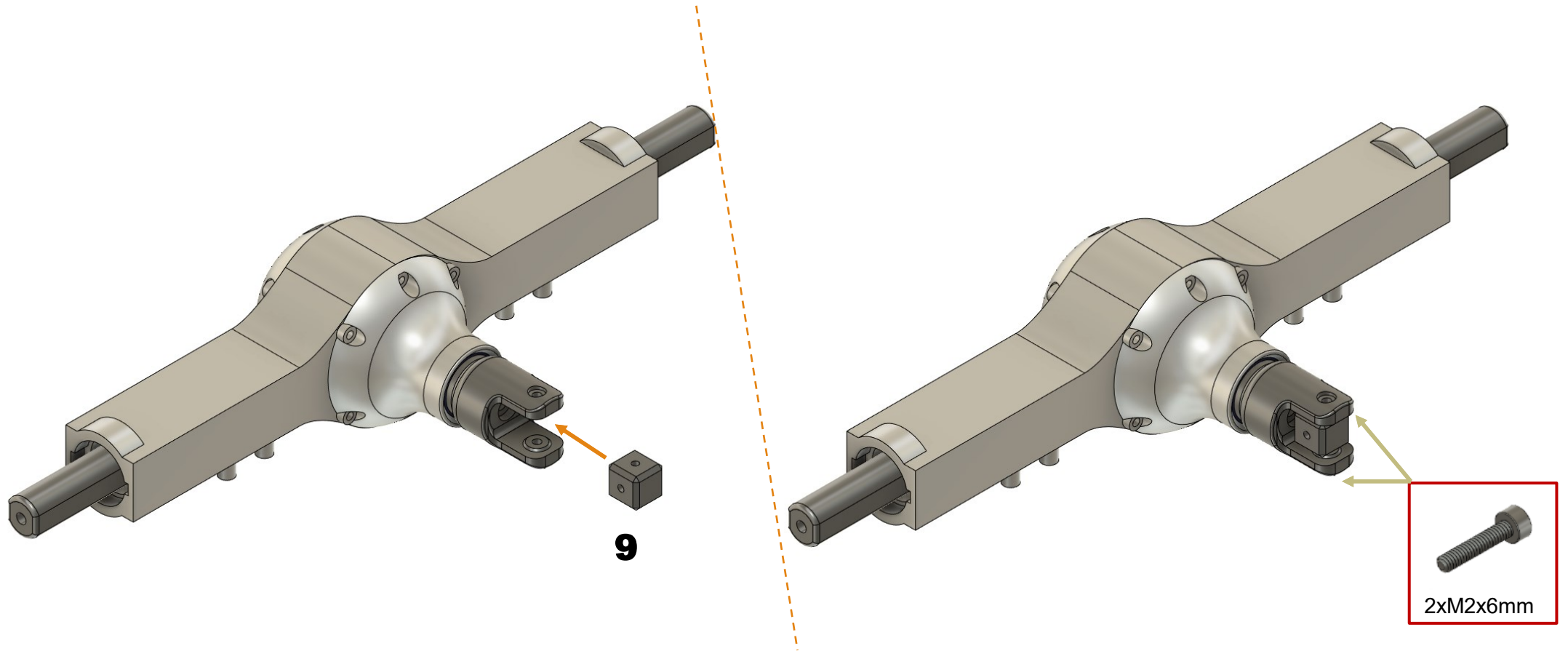
Rear_Axle



Rear_Axle

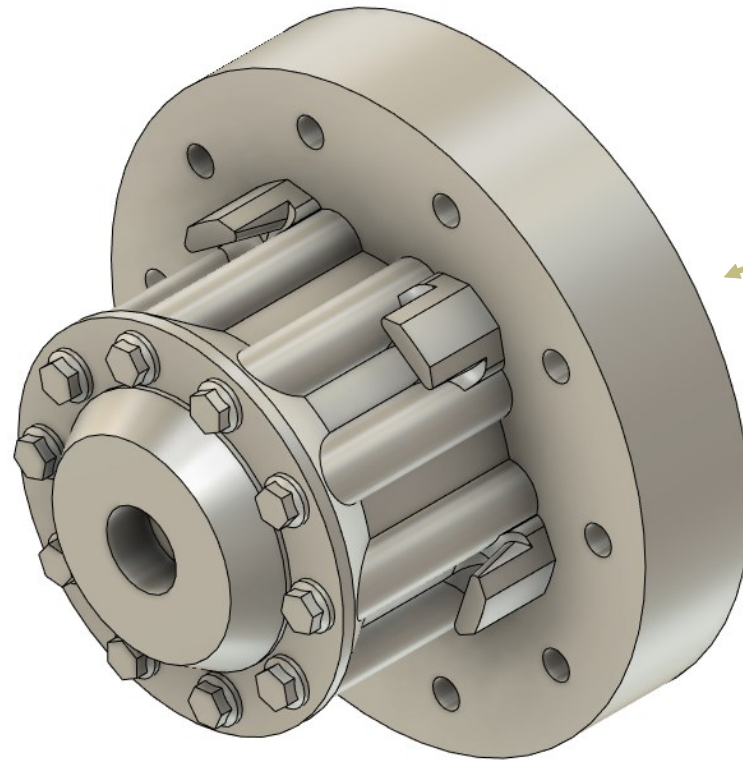


Rear_Axle



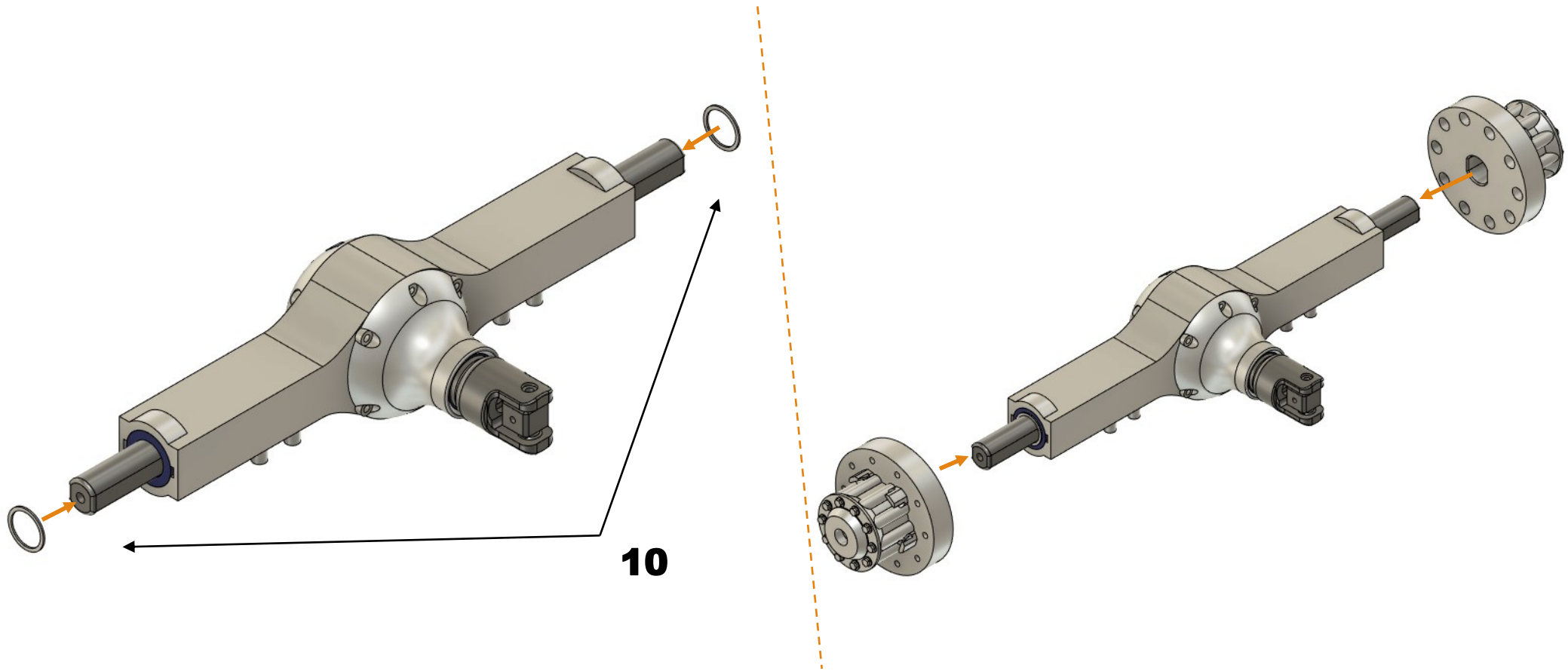
Rear_Axle

2x

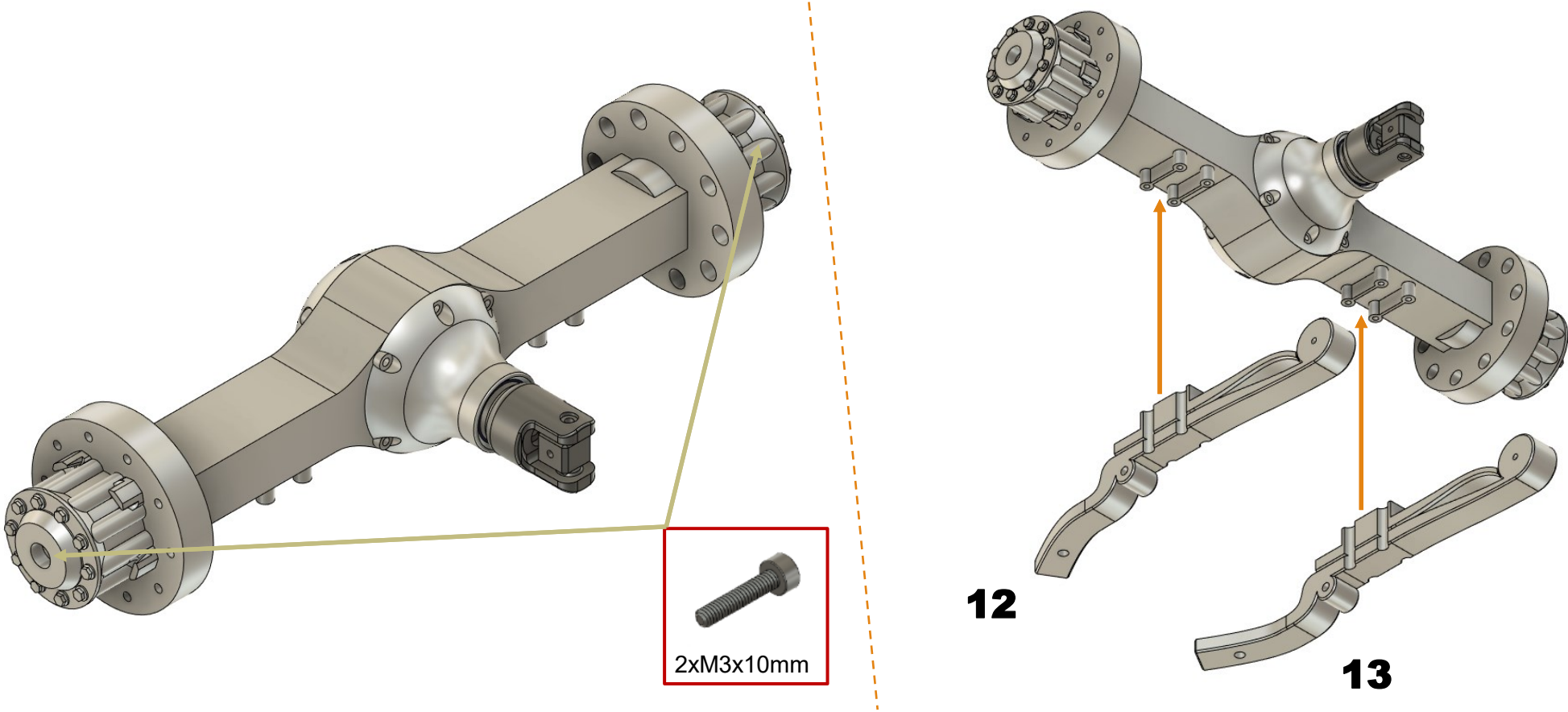


11

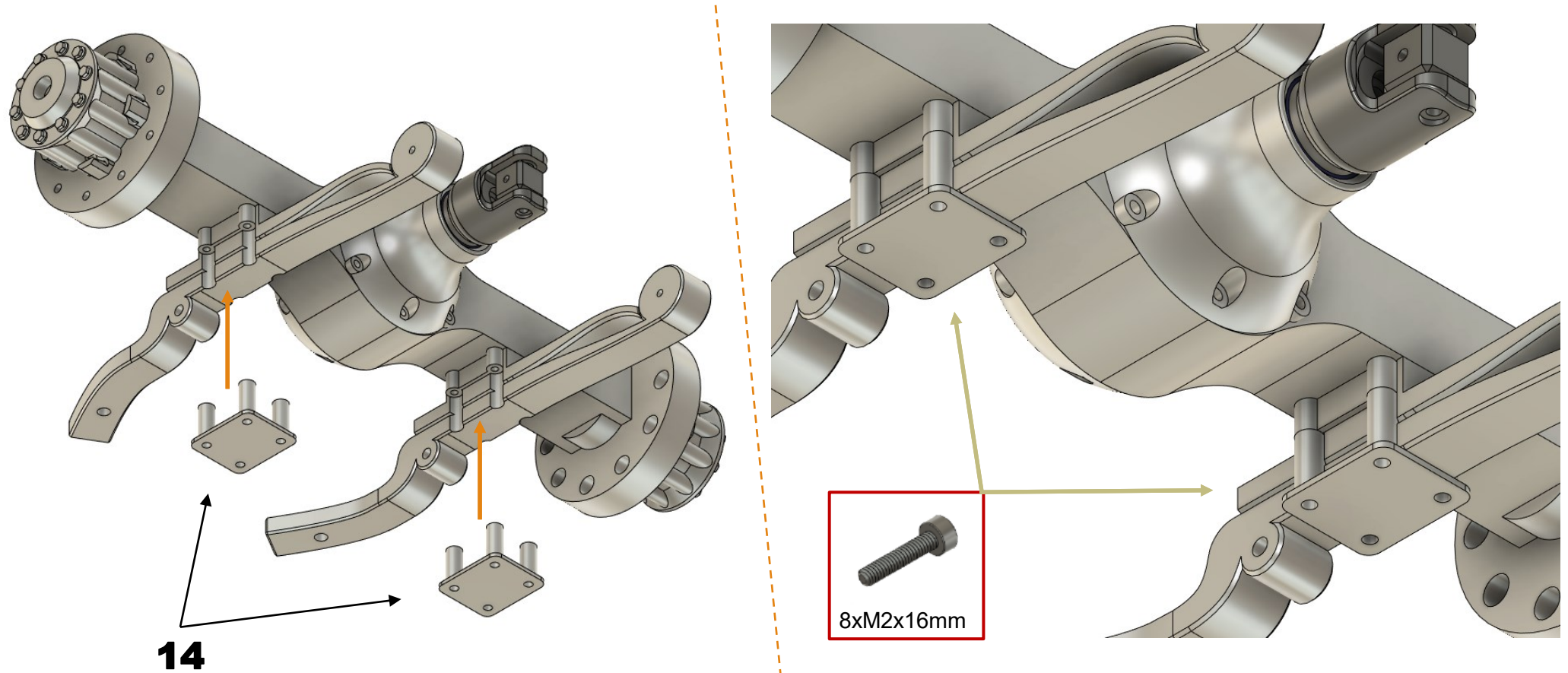
Rear_Axle



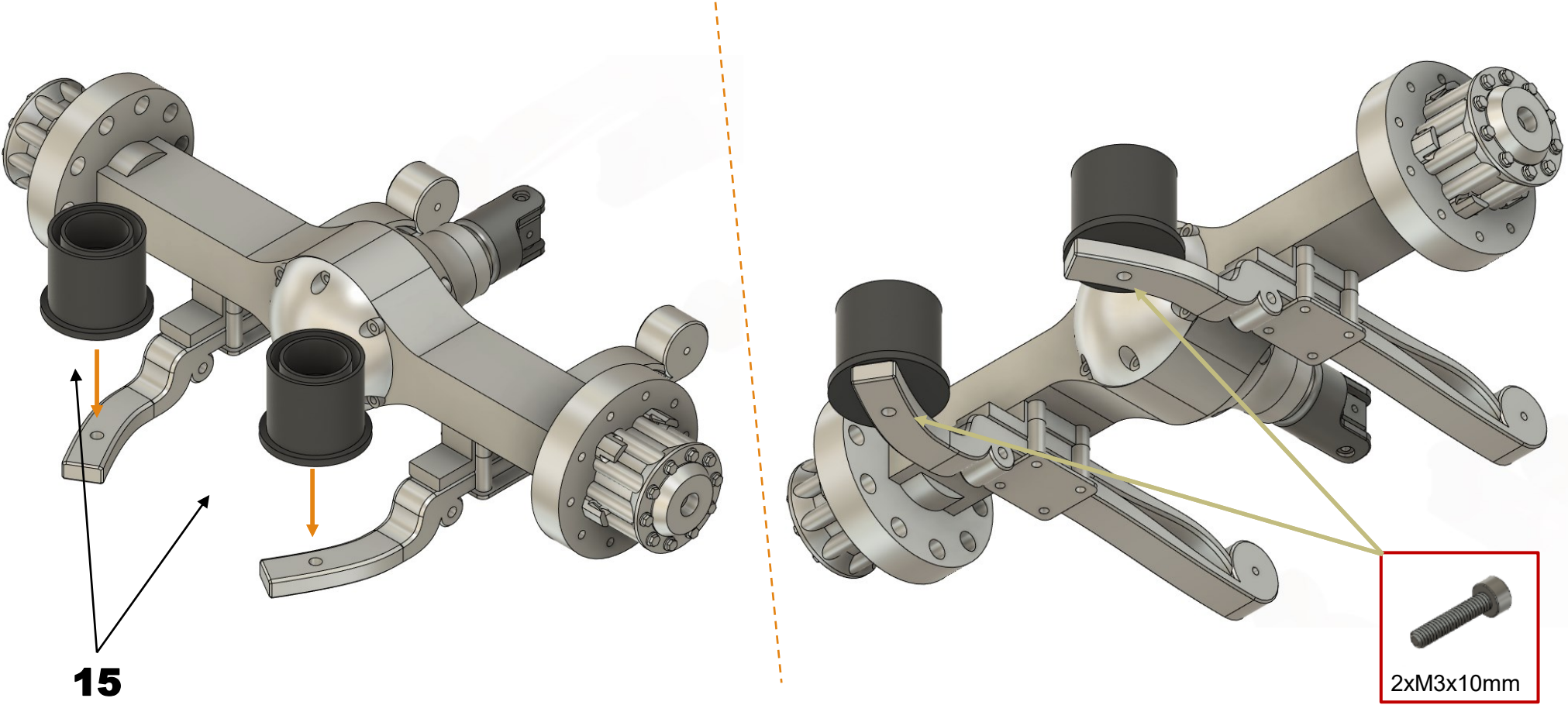
Rear_Axle

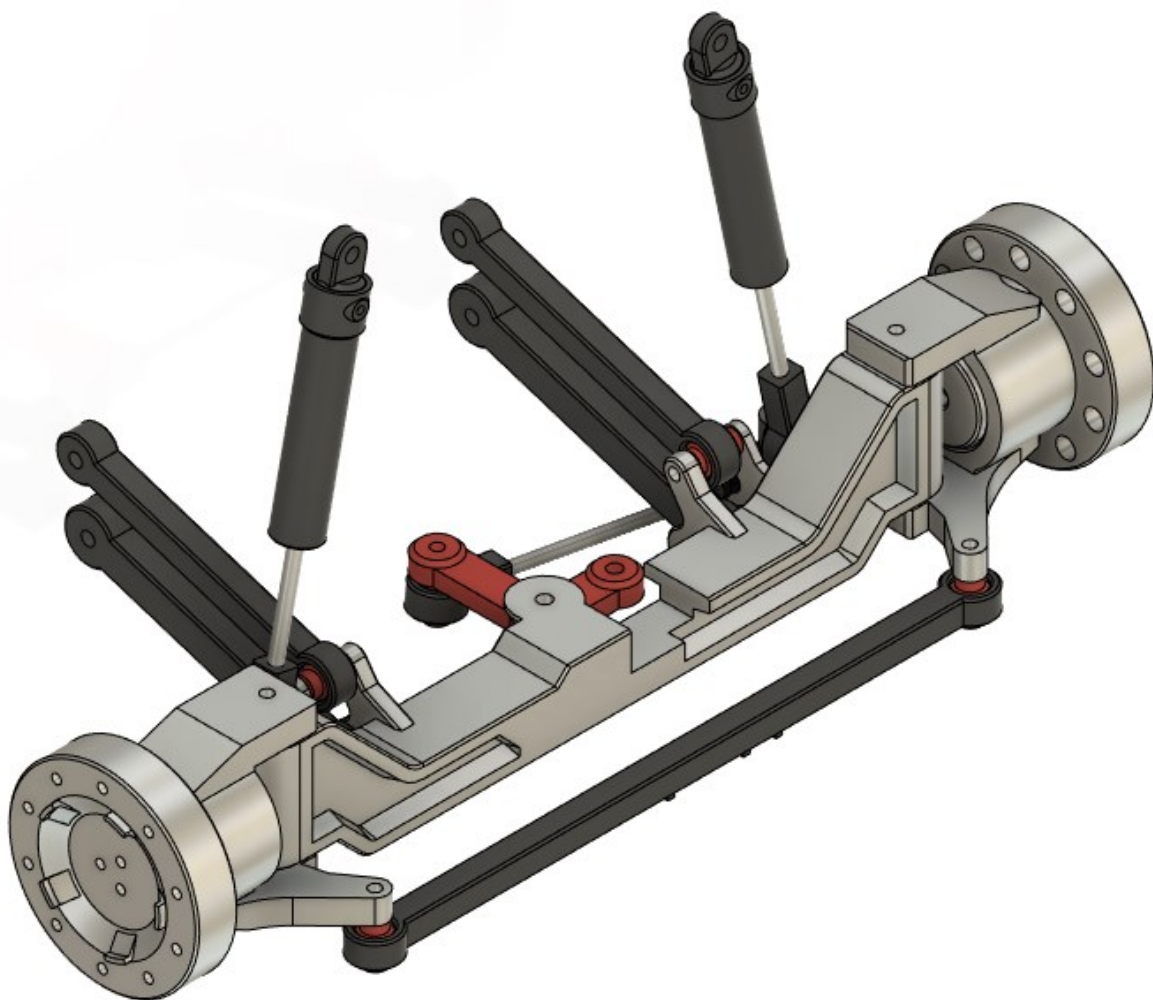


Rear_Axle



Rear_Axle

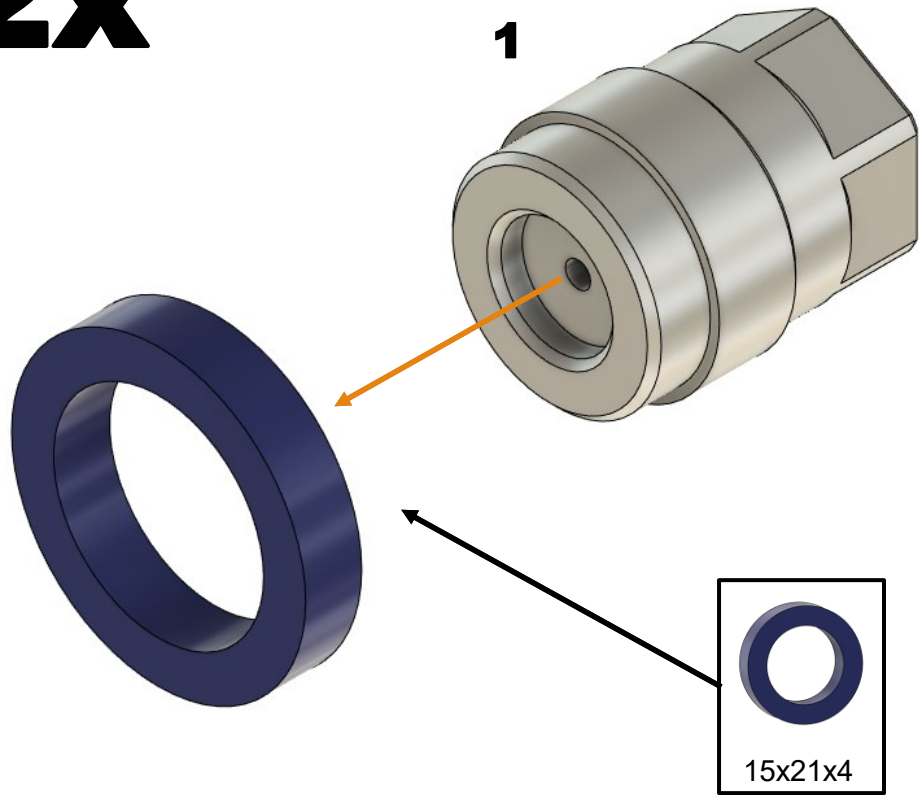




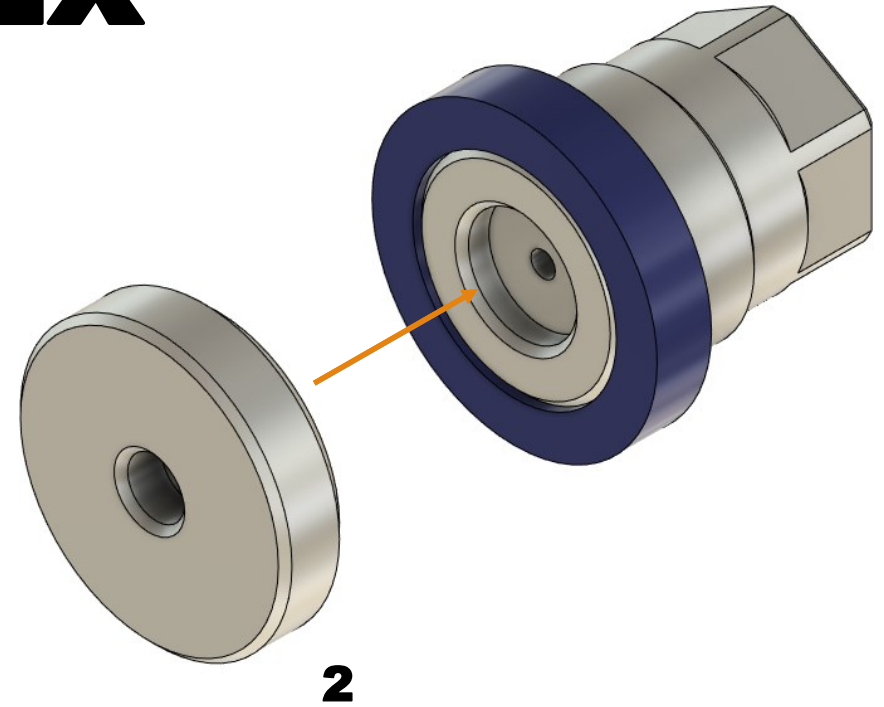
Front_Axle

Front_Axle

2x

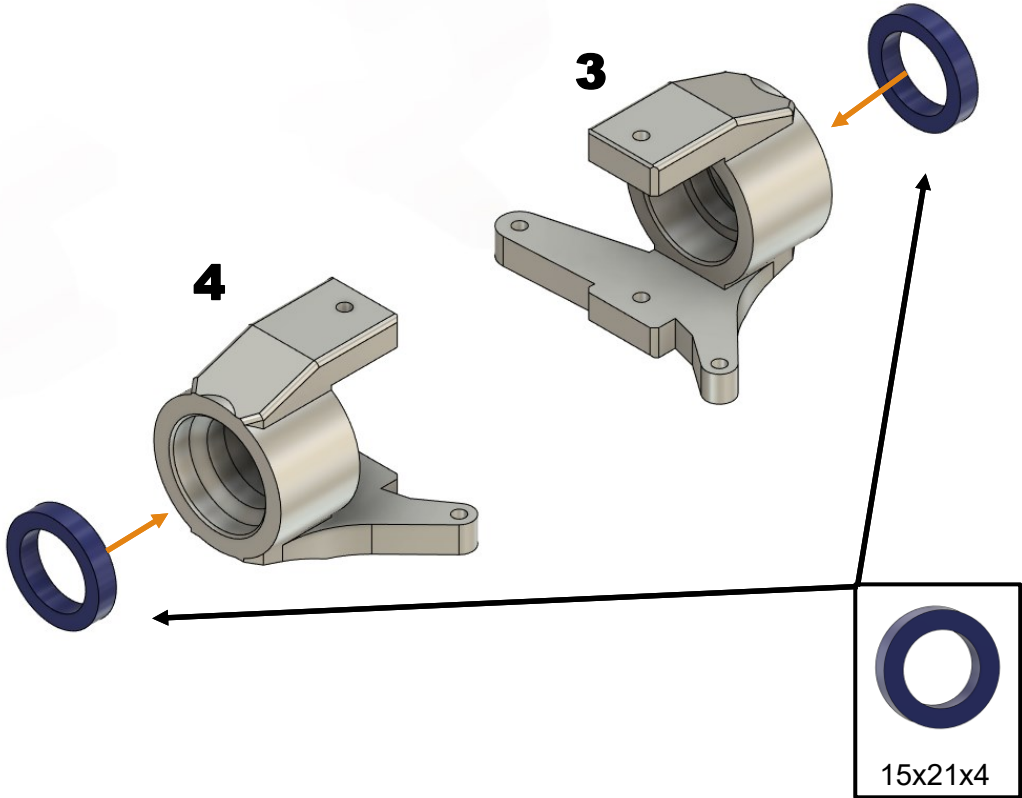
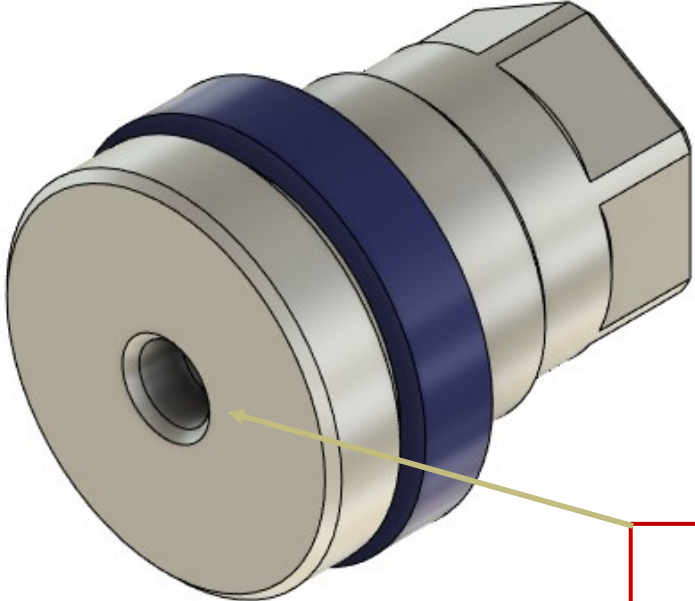


2x

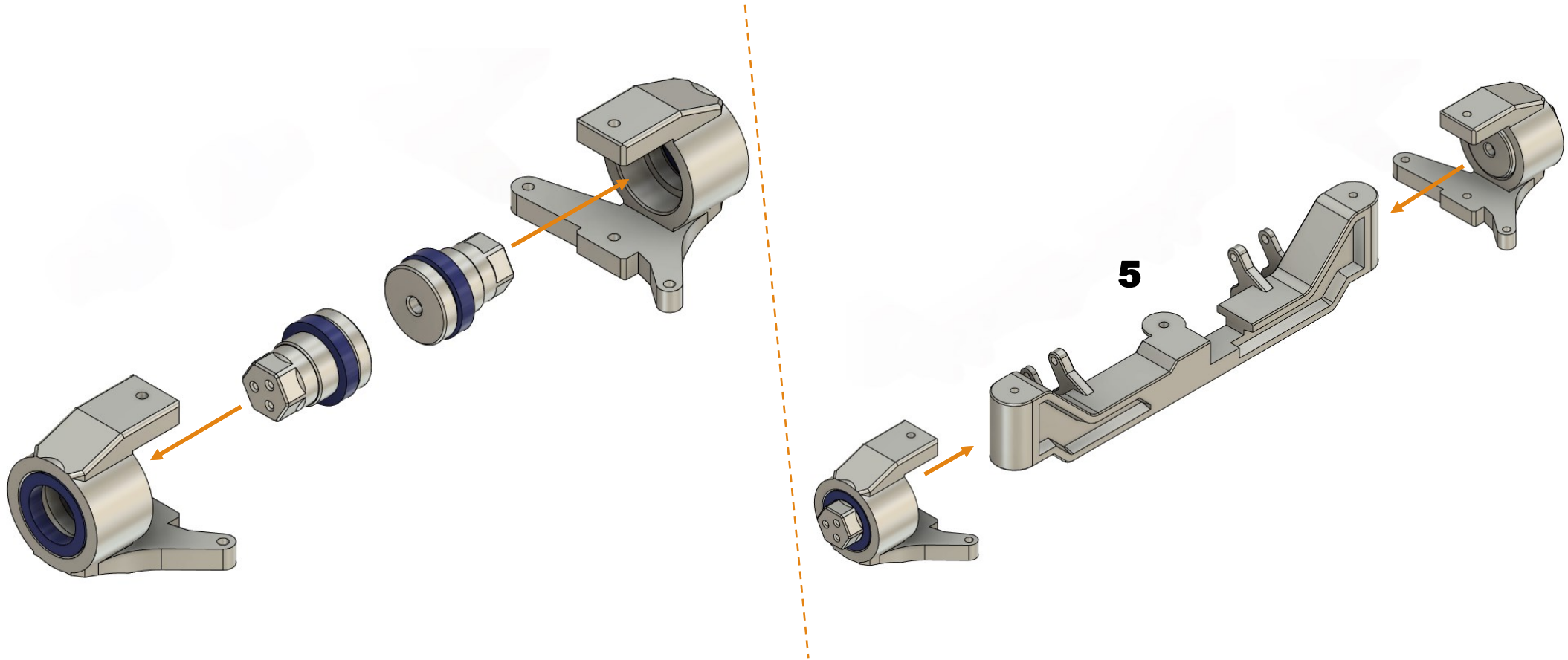


Front_Axle

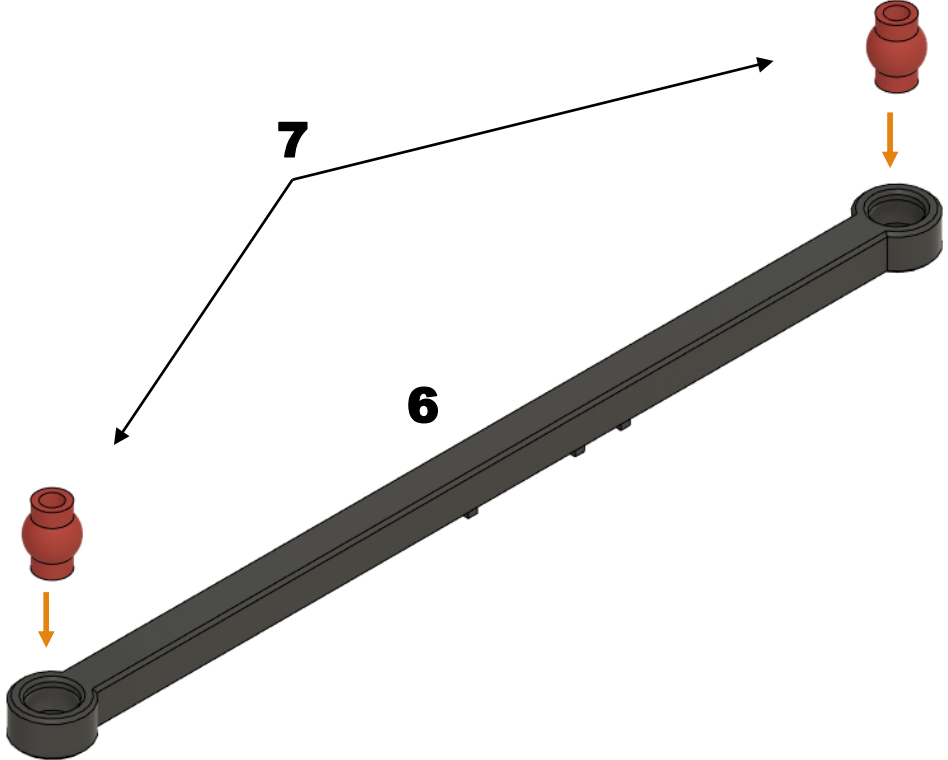
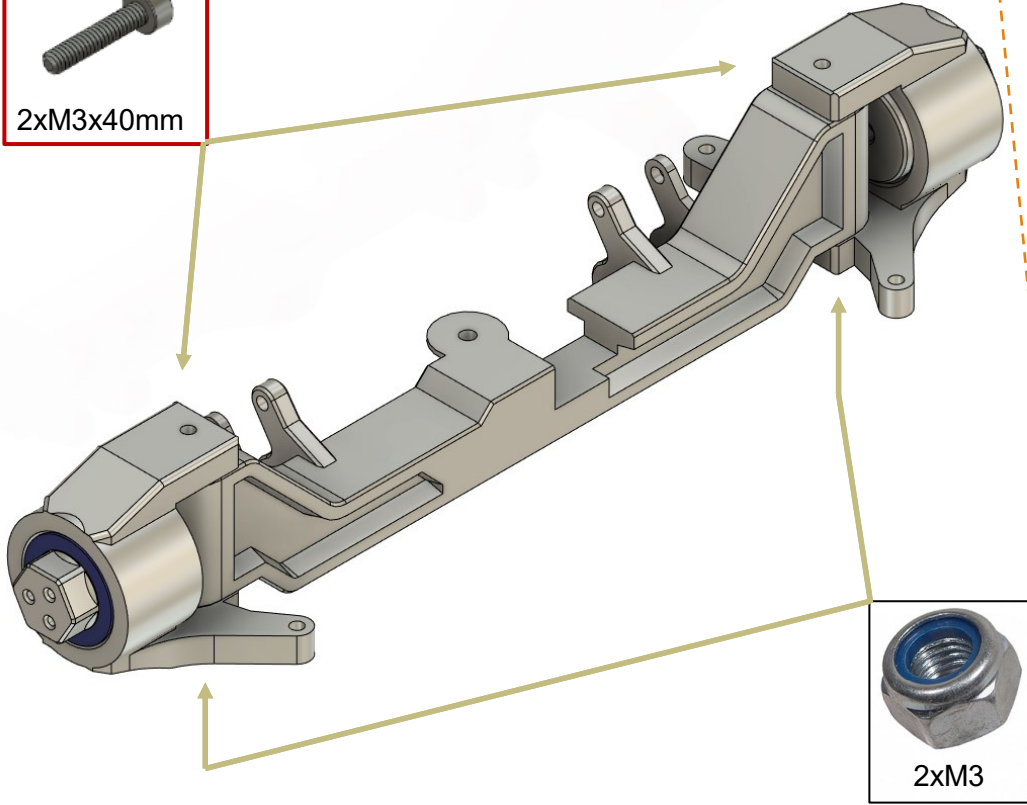
2x



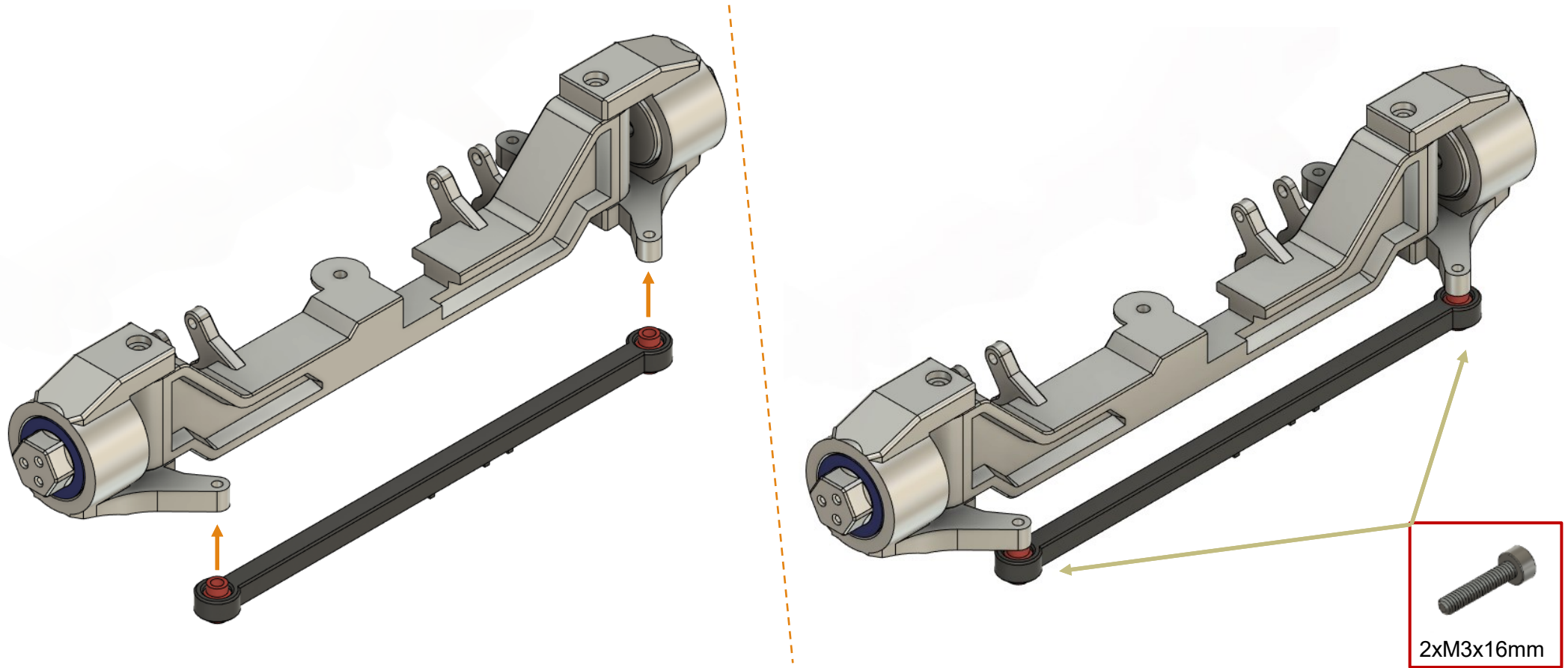
Front_Axle



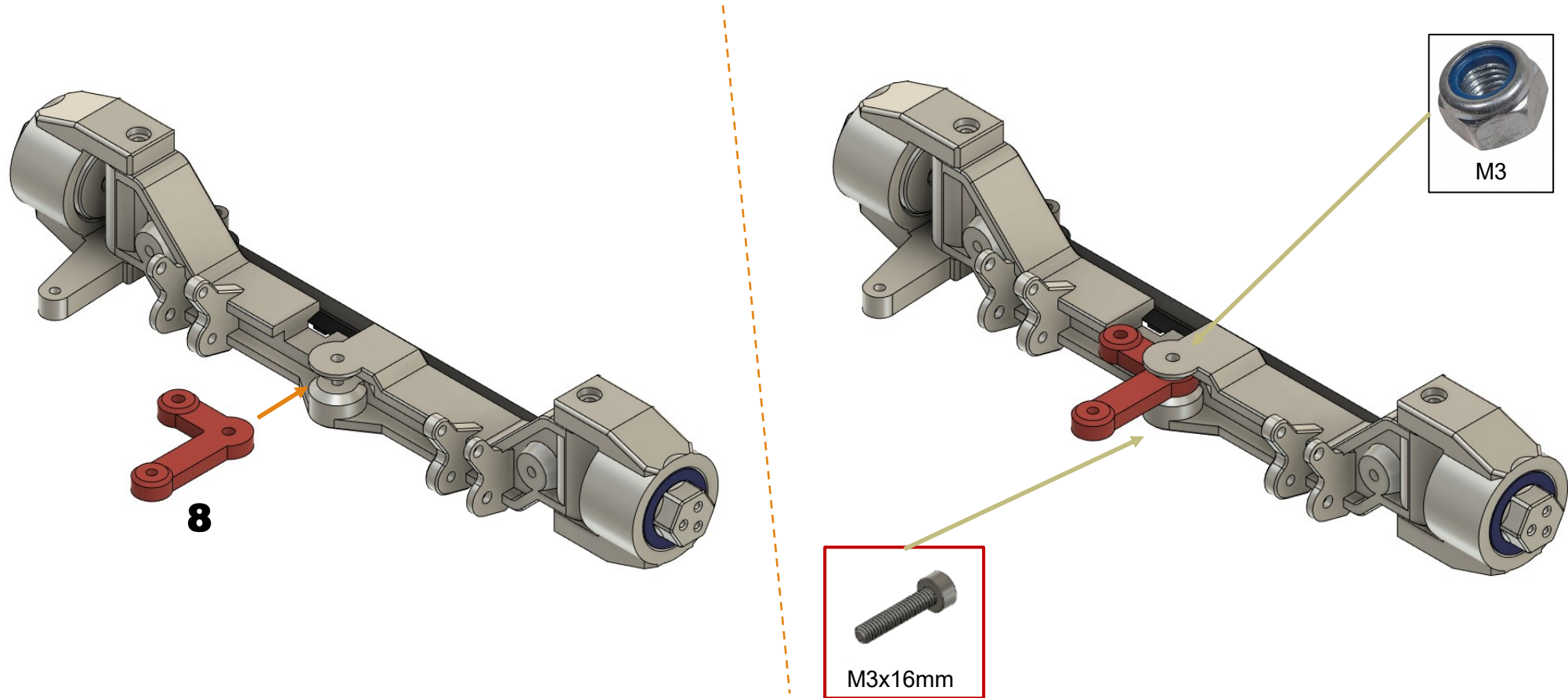
Front_Axle



Front_Axle

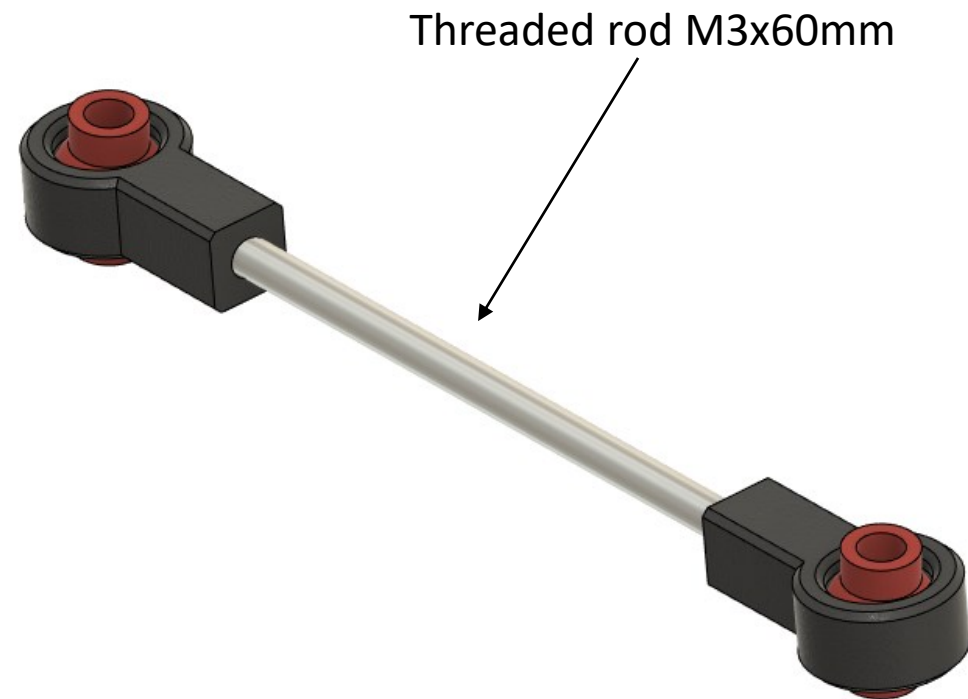


Front_Axle

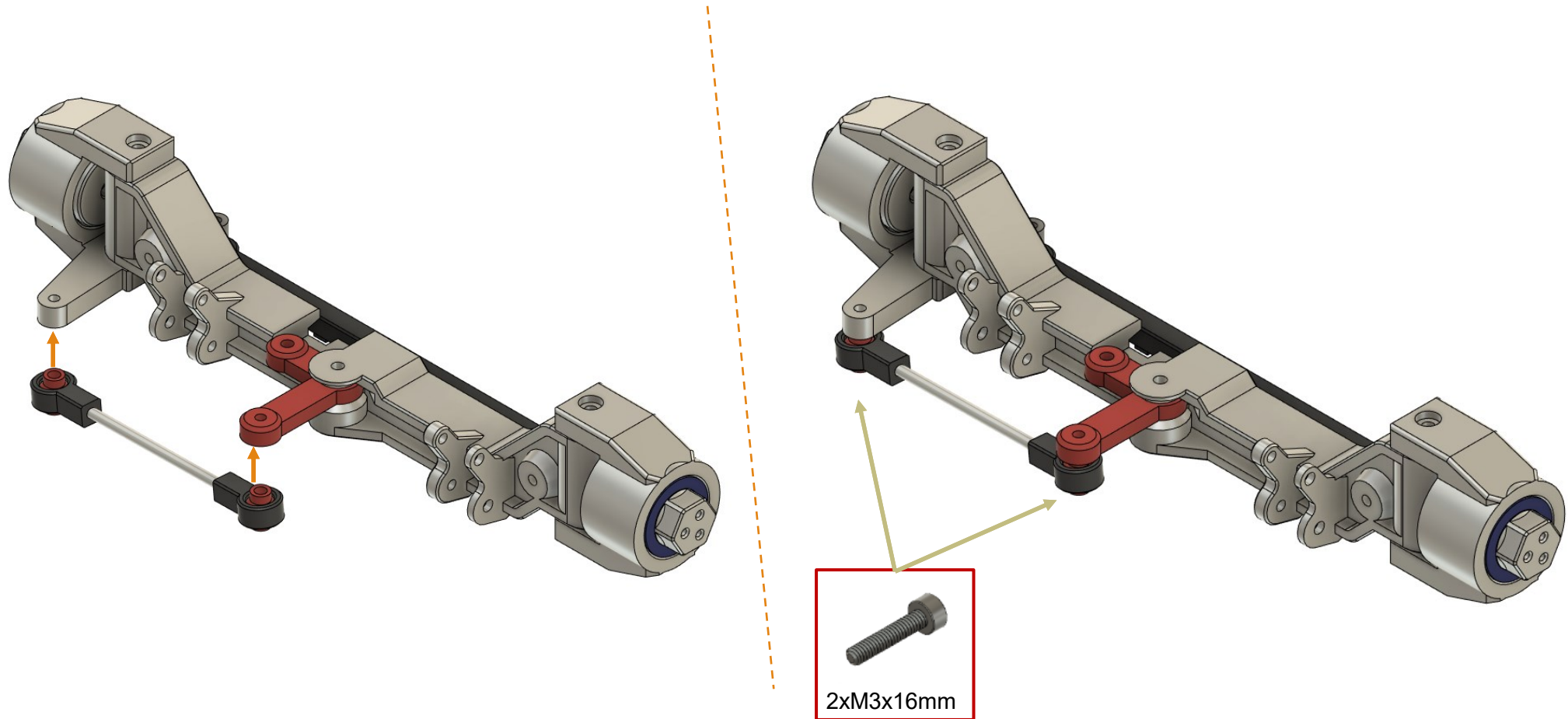


Front_Axle

2x

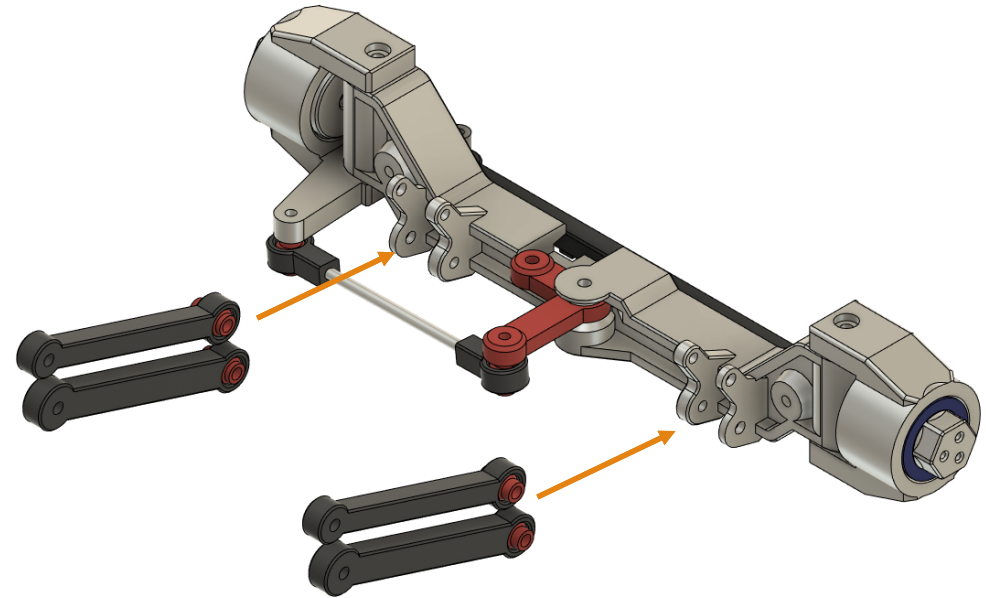


Front_Axle

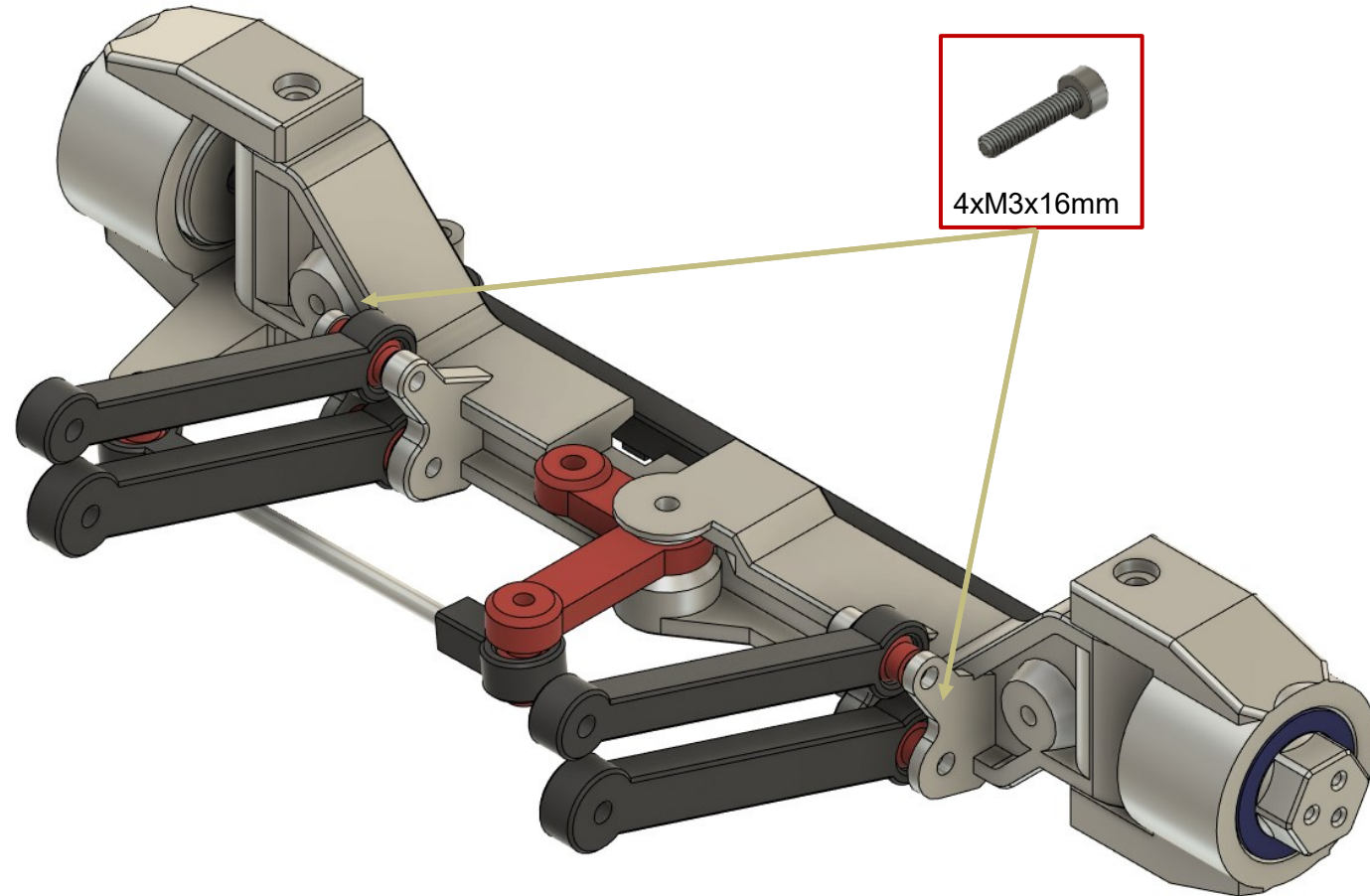


Front_Axle

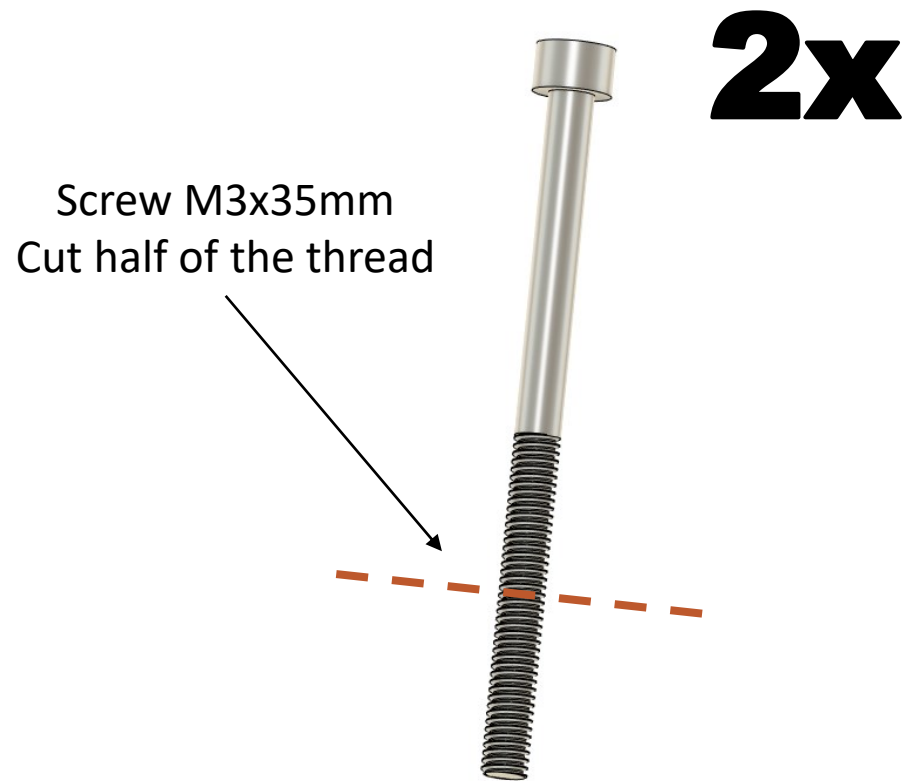
2x



Front_Axle

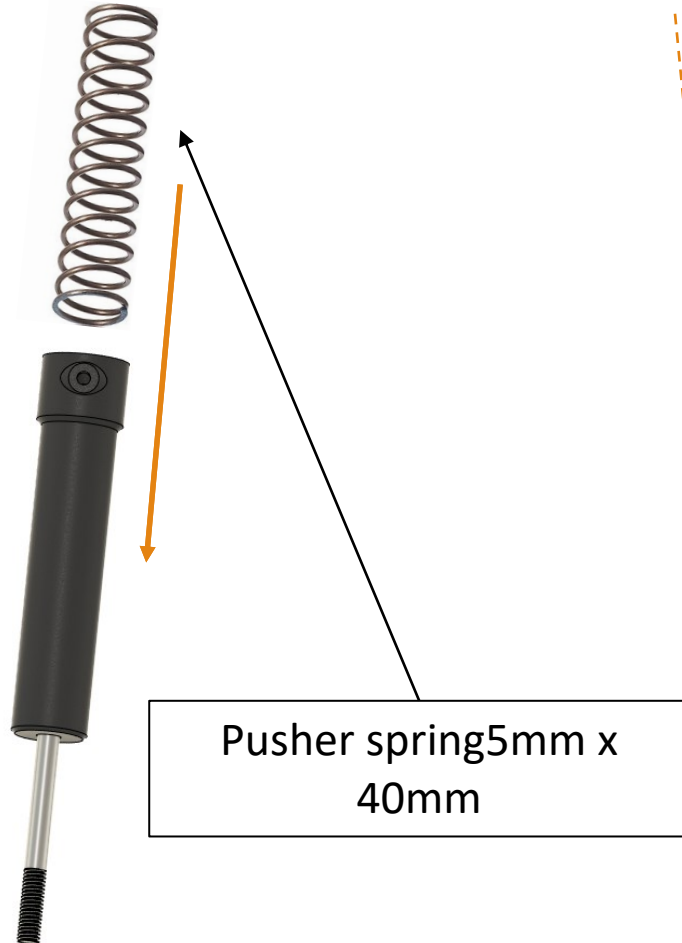


Front_Axle



Front_Axle

2x

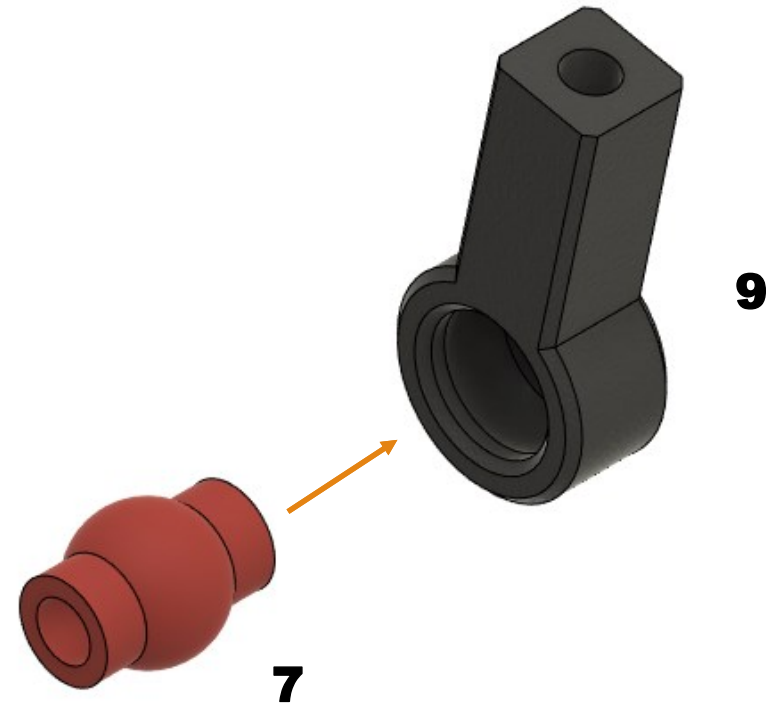


2x



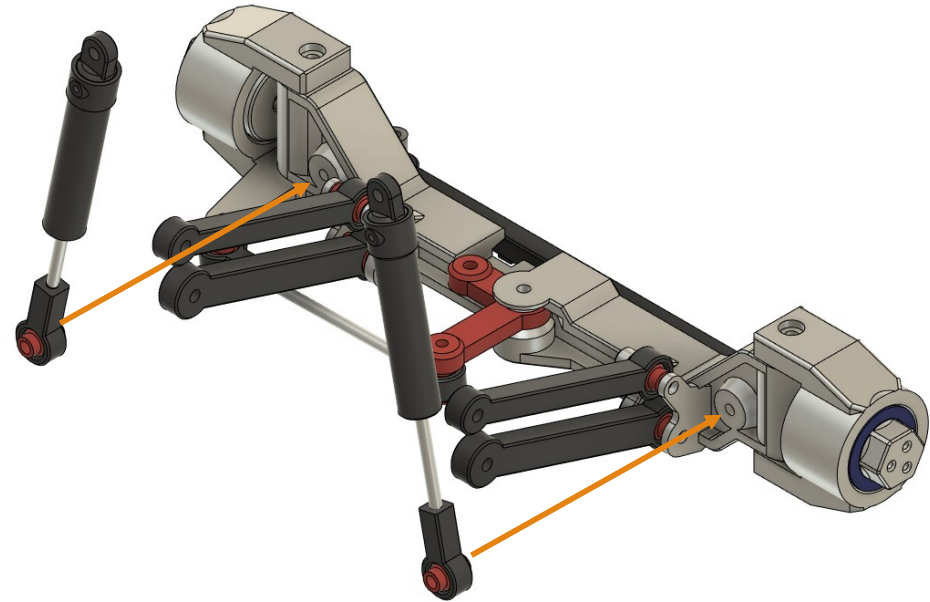
Front_Axle

2x

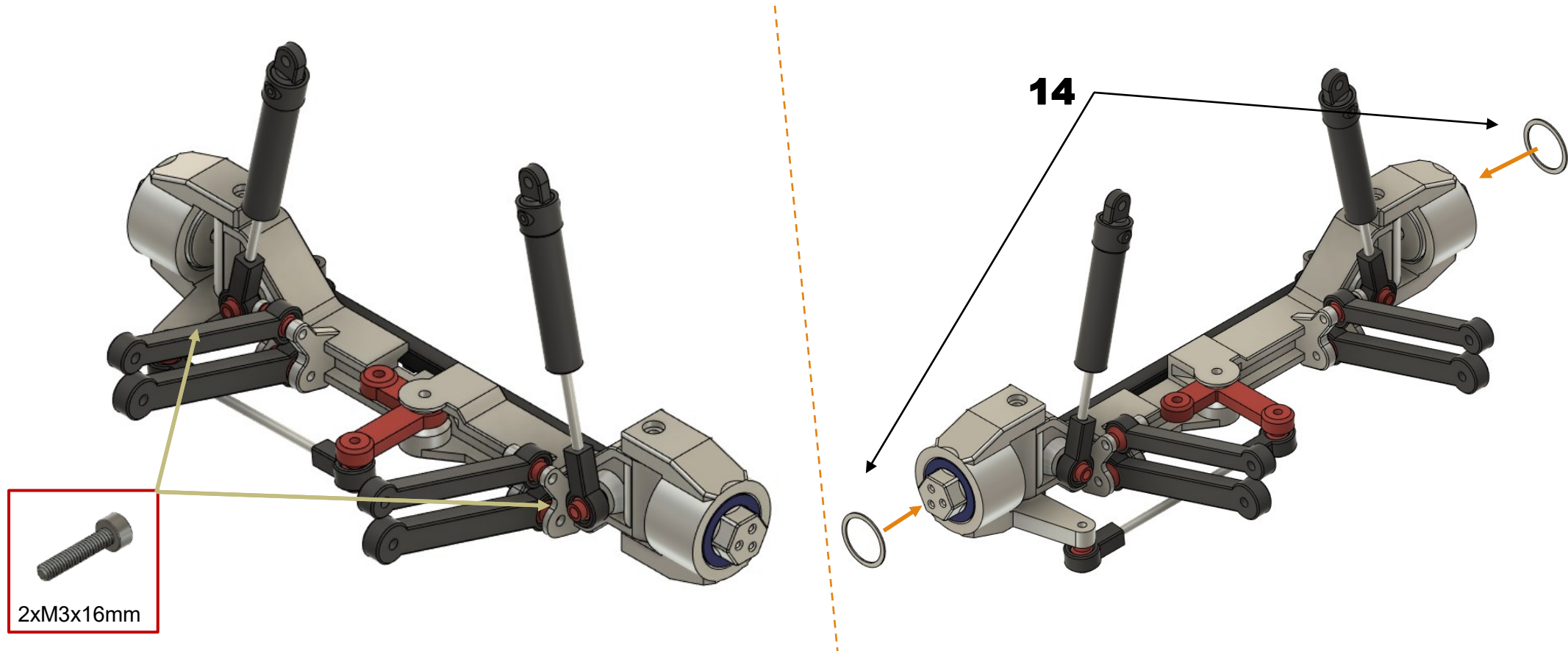


Front_Axle

2x

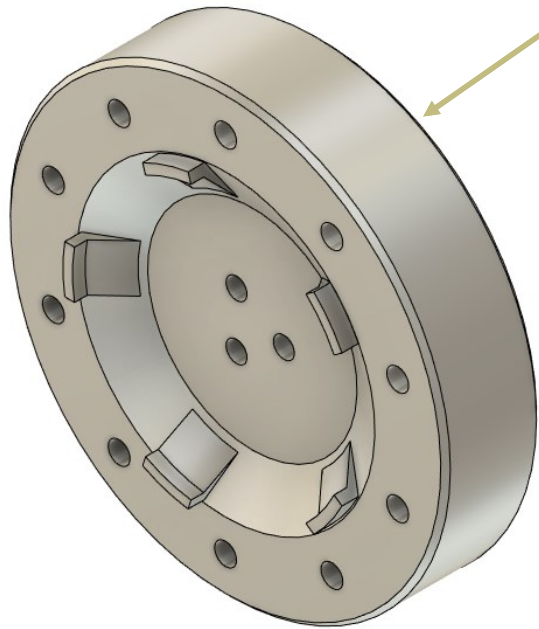


Front_Axle



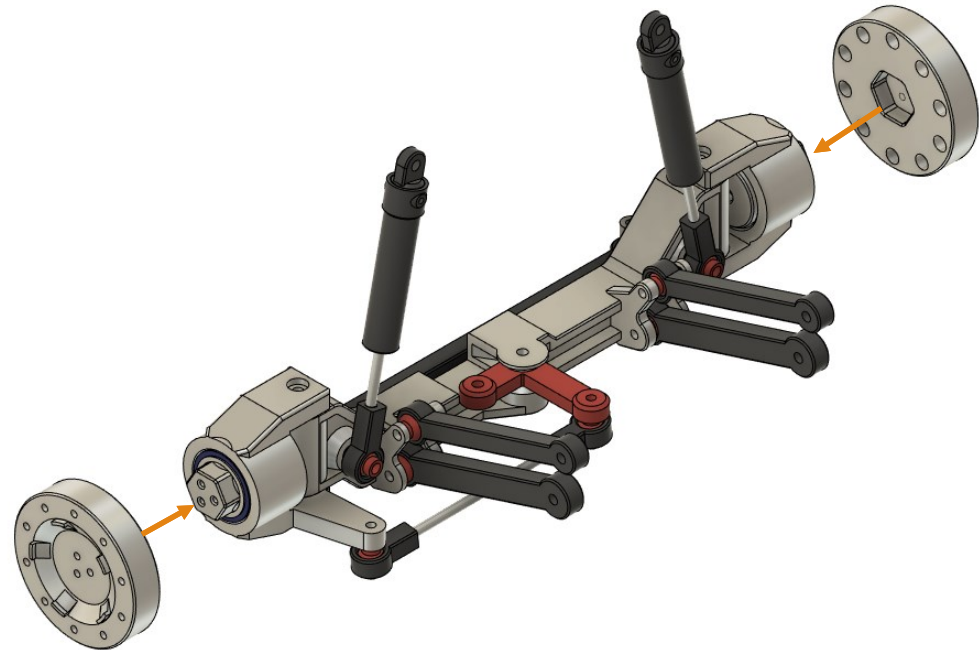
Front_Axle

2x

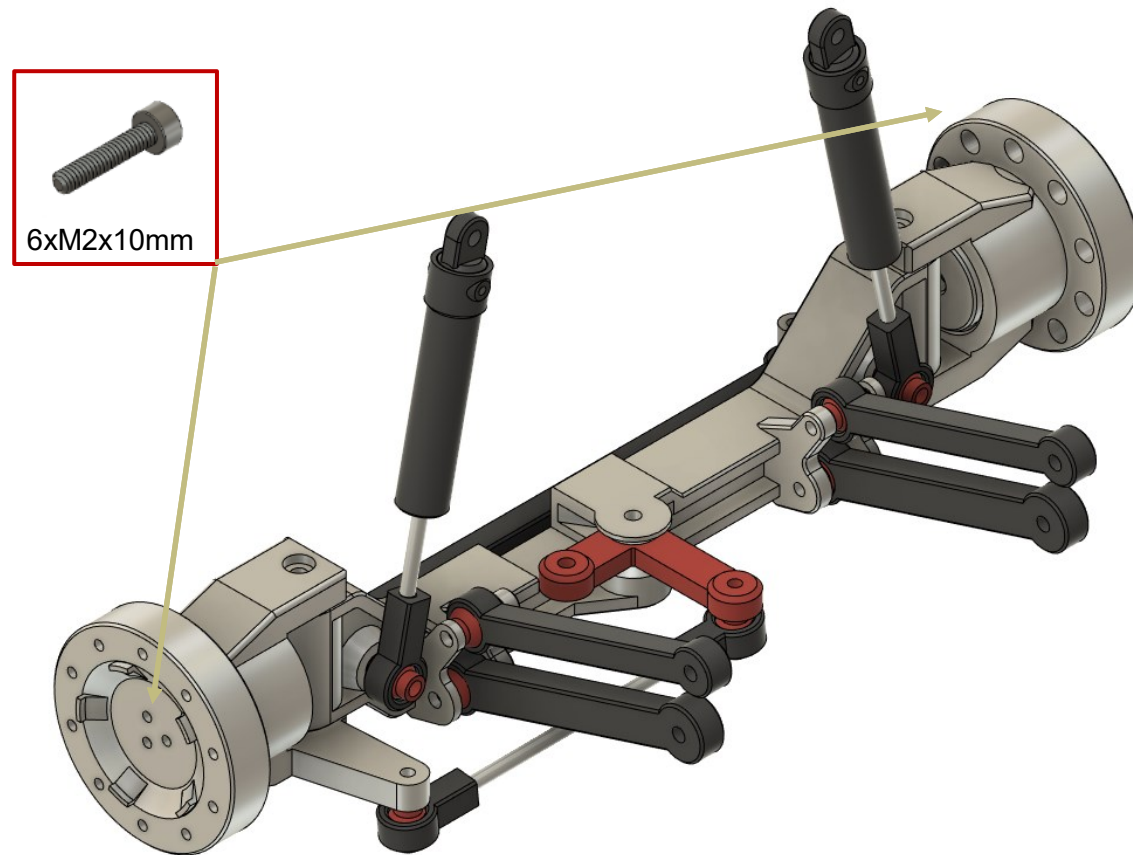


10xM2.5x10mm

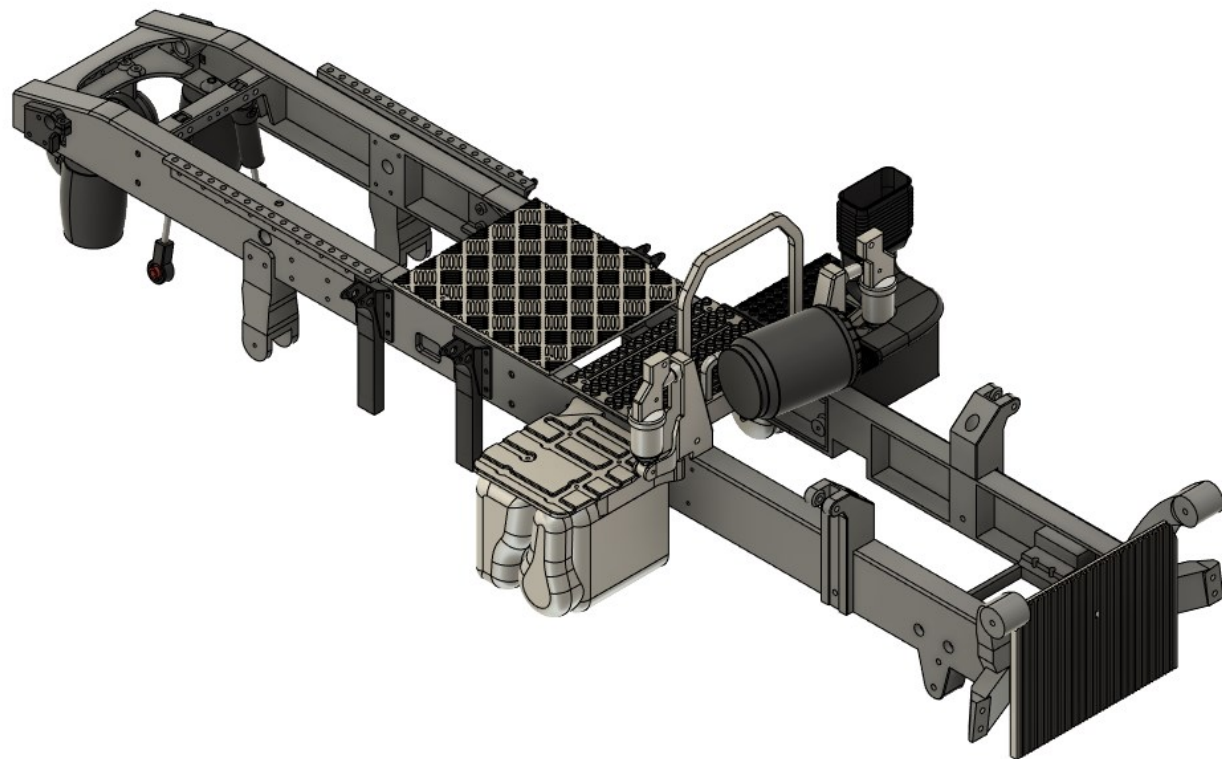
15



Front_Axle

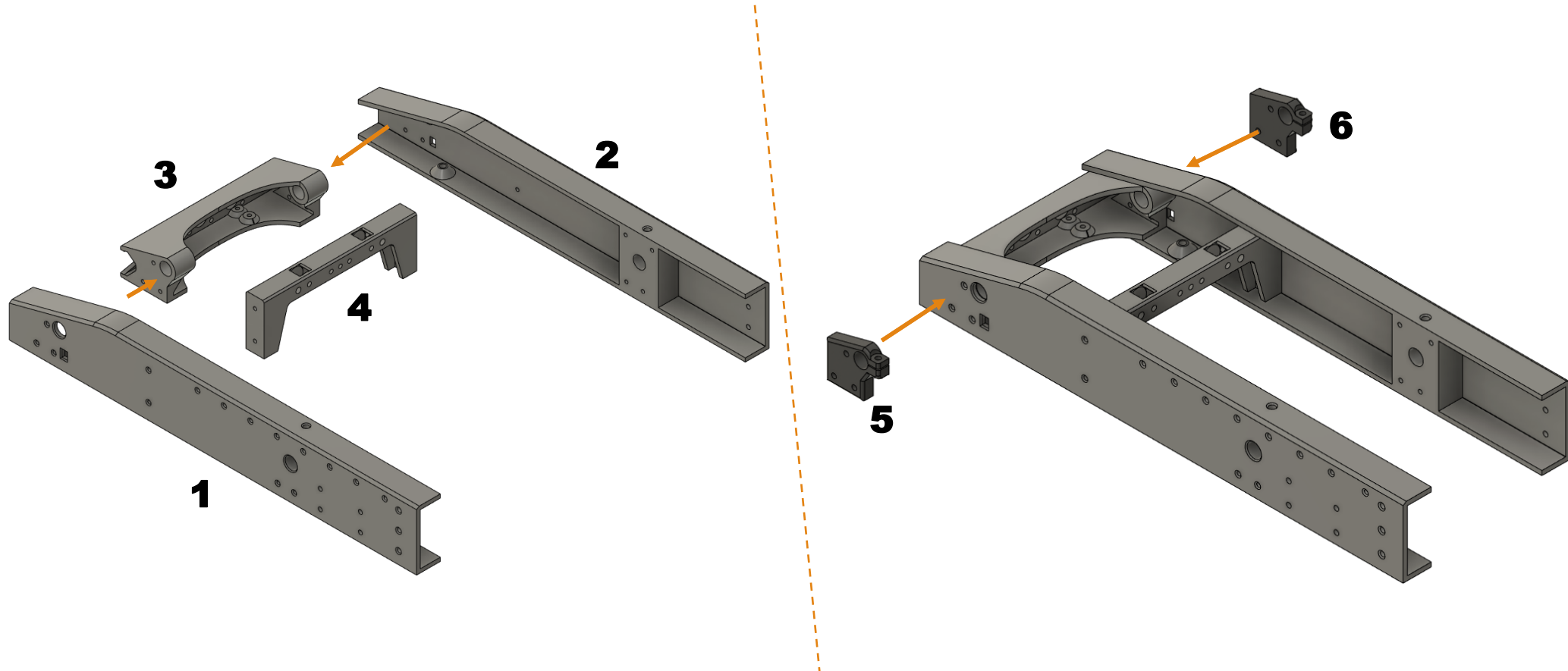


Aktivujte Windc

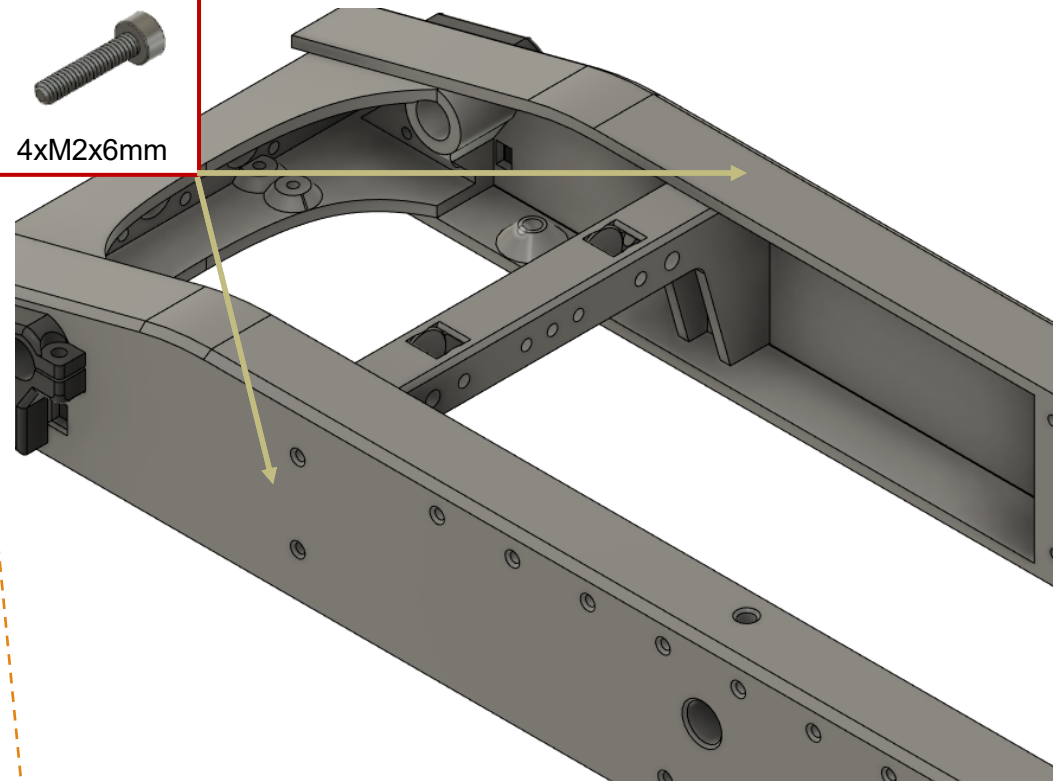
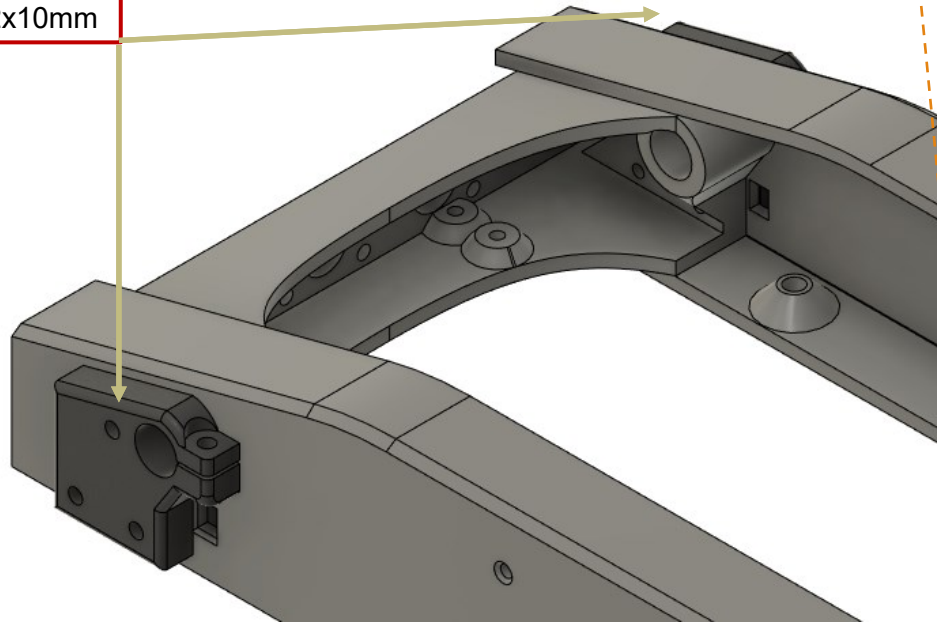


Chassis

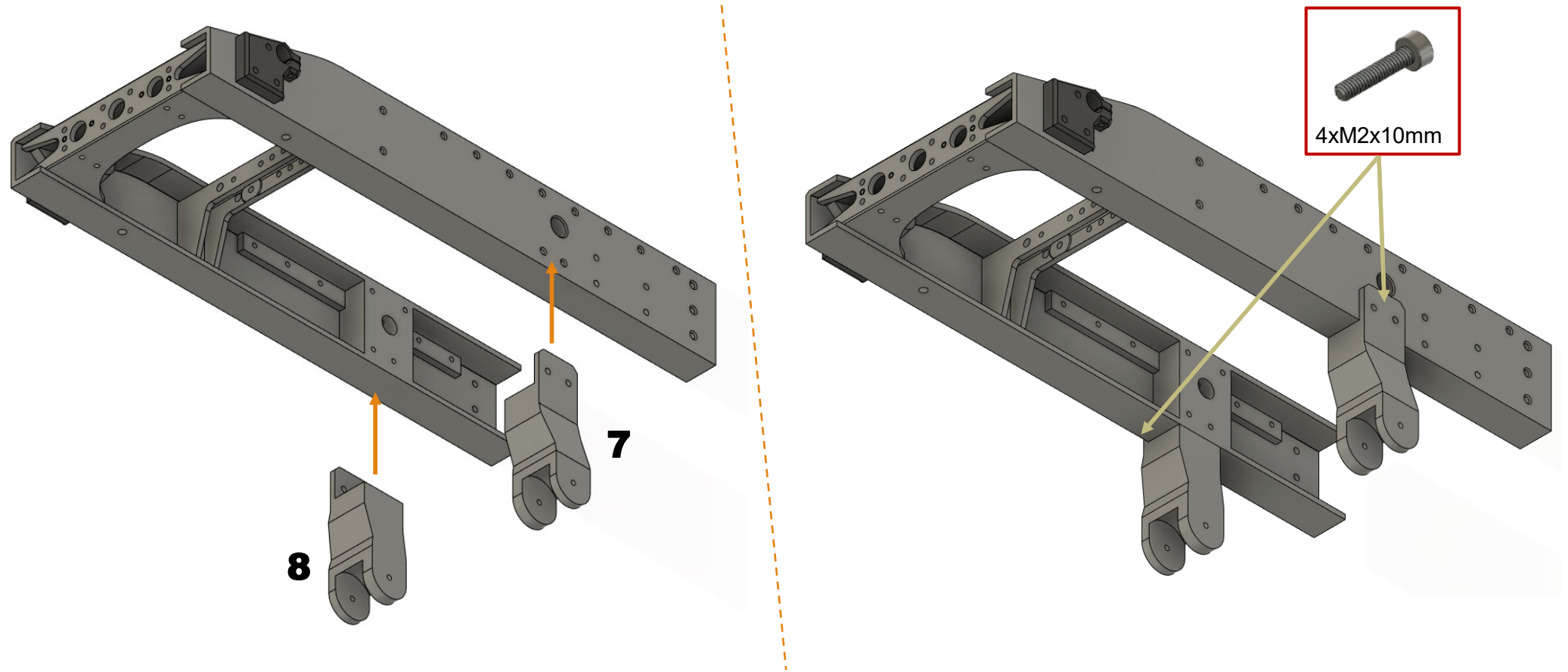
Chassis



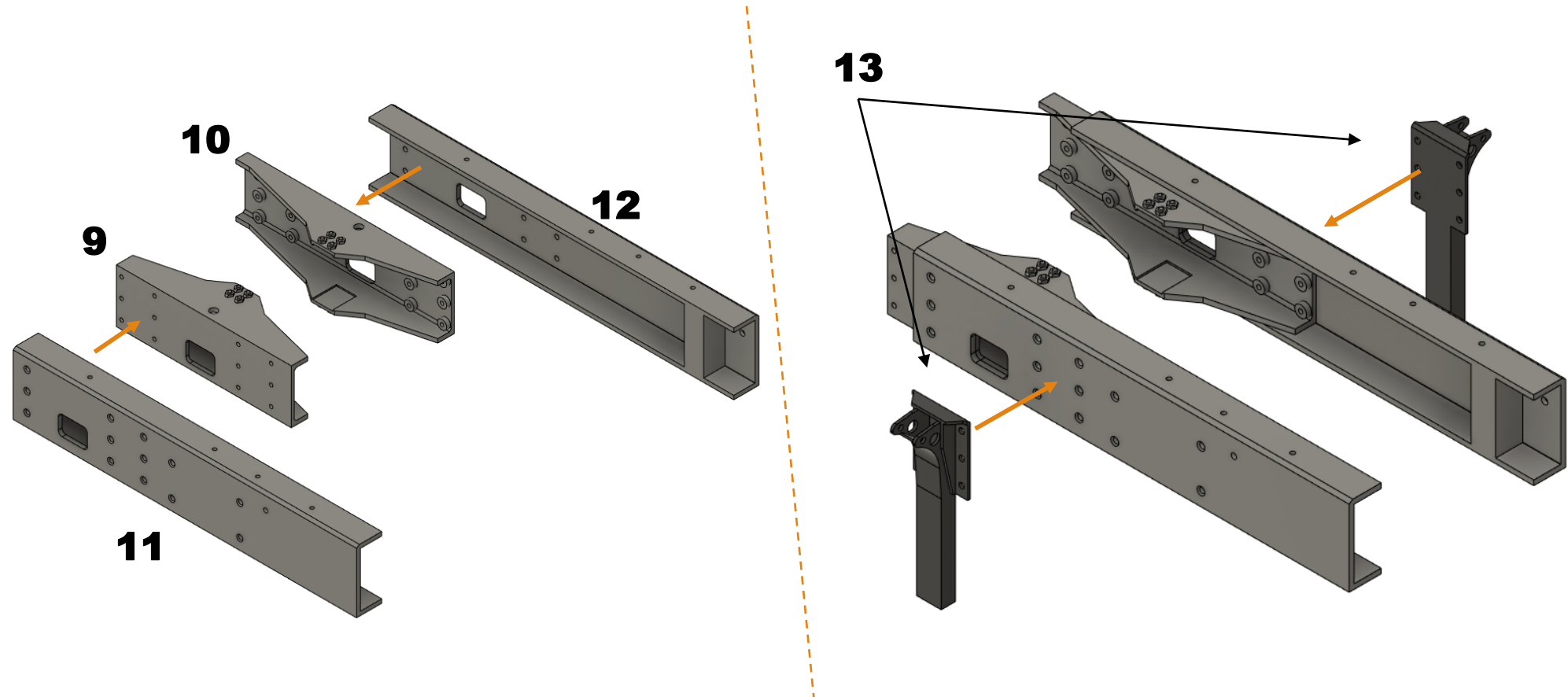
Chassis



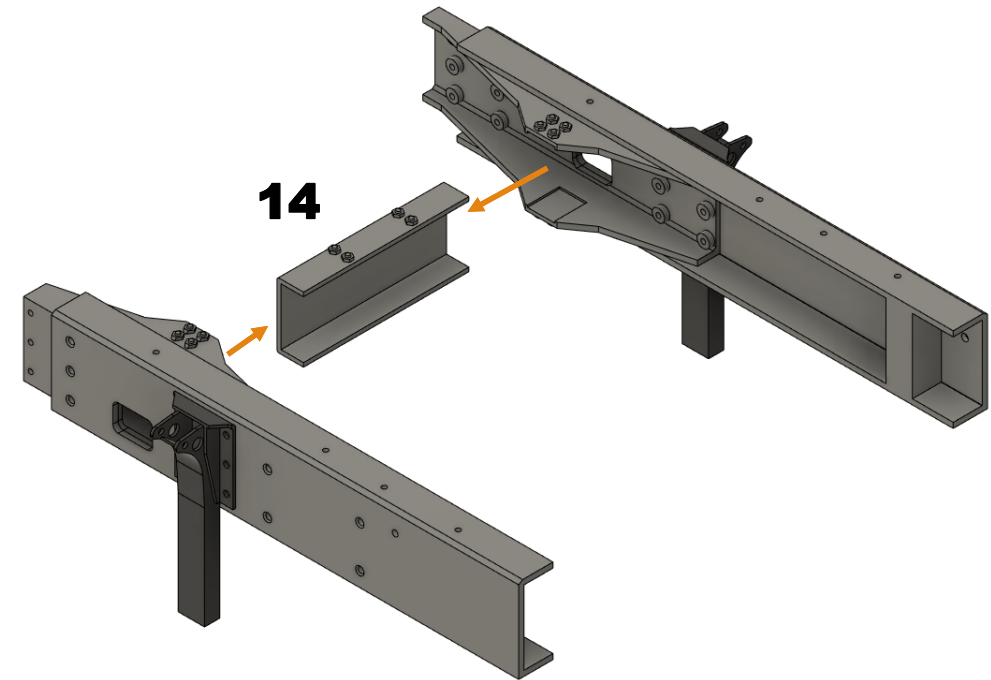
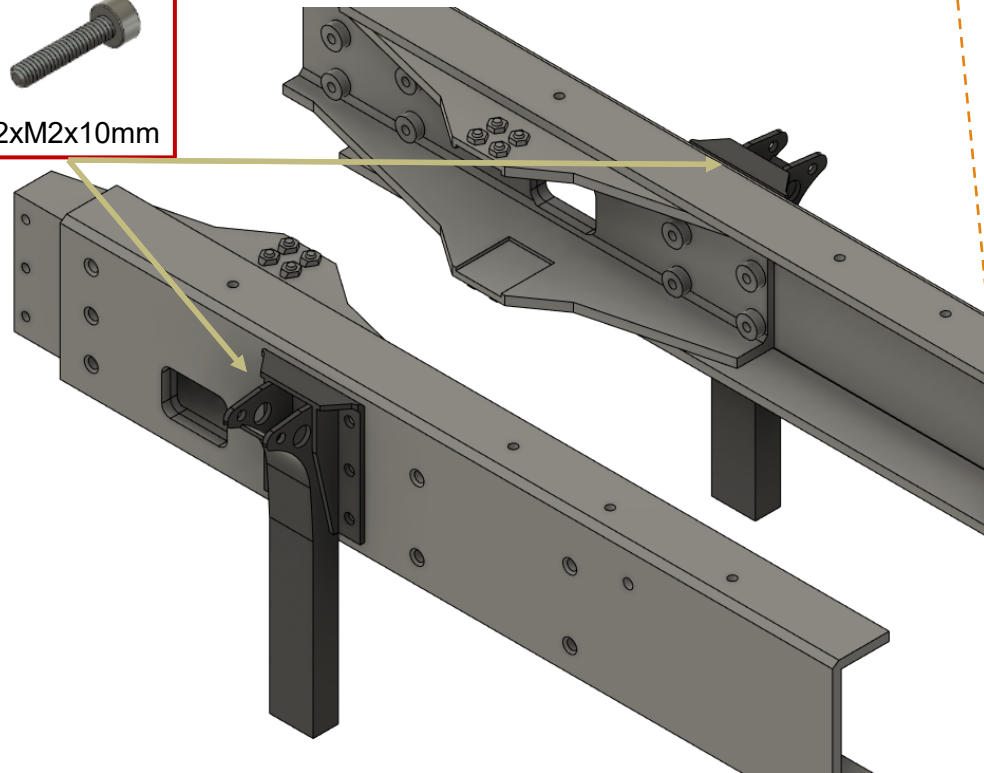
Chassis



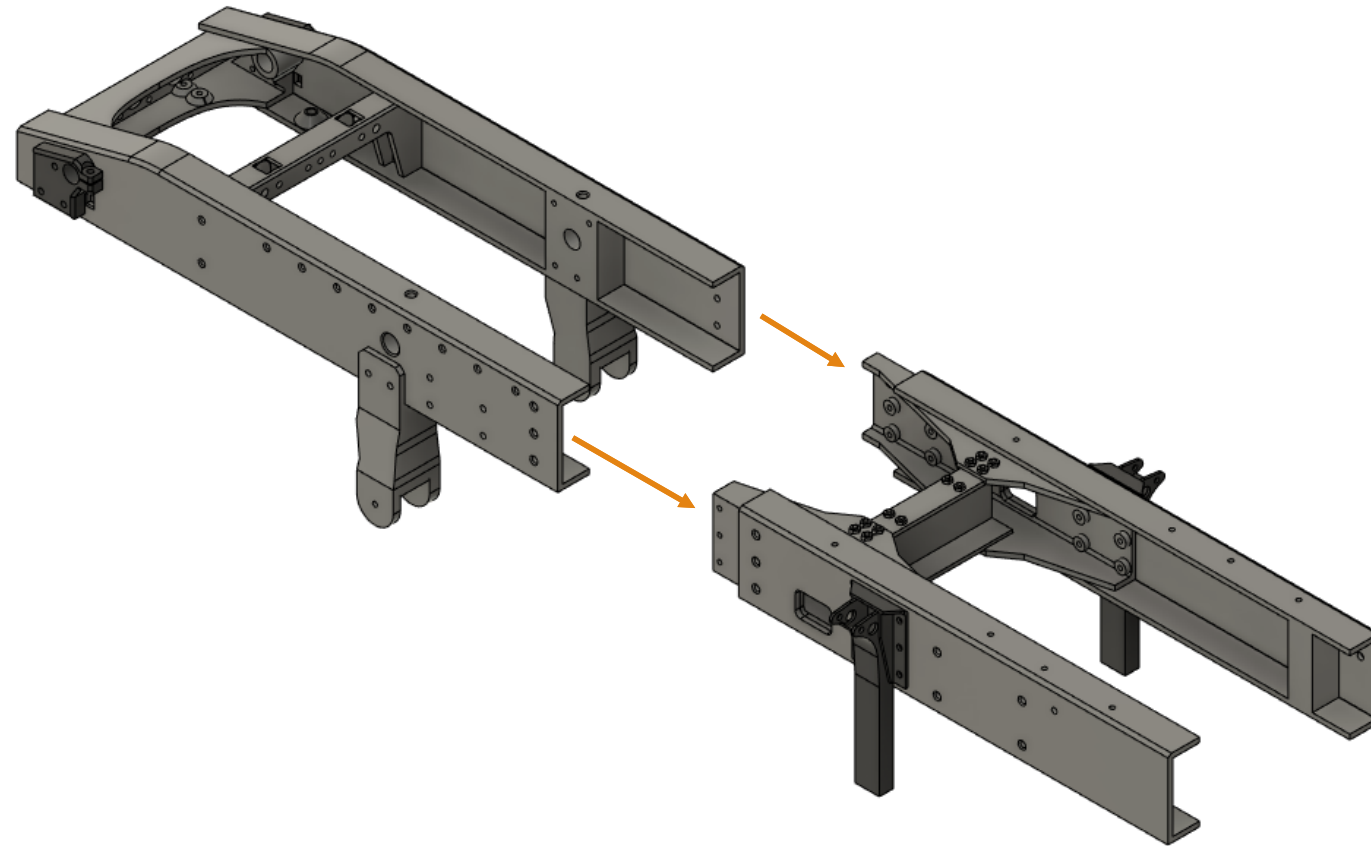
Chassis



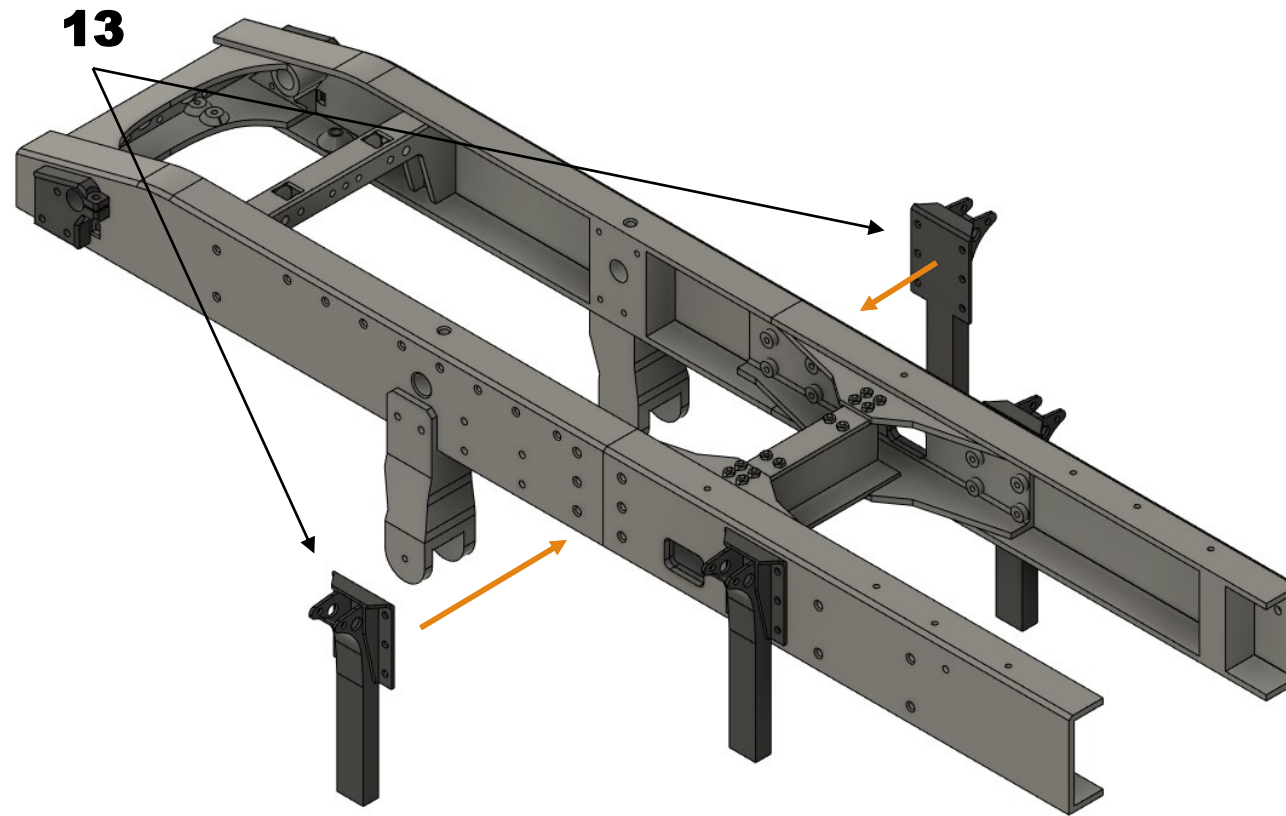
Chassis



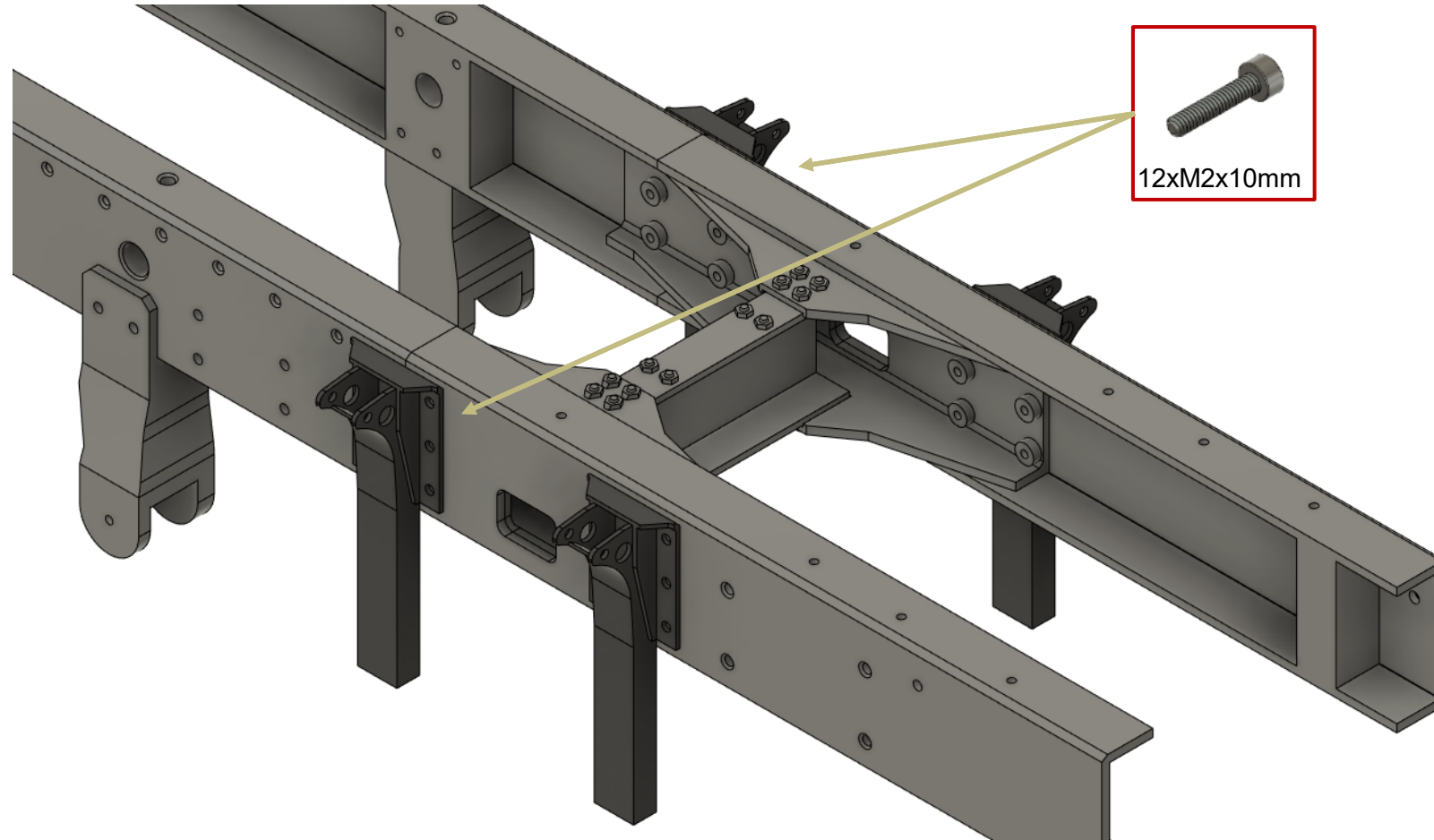
Chassis



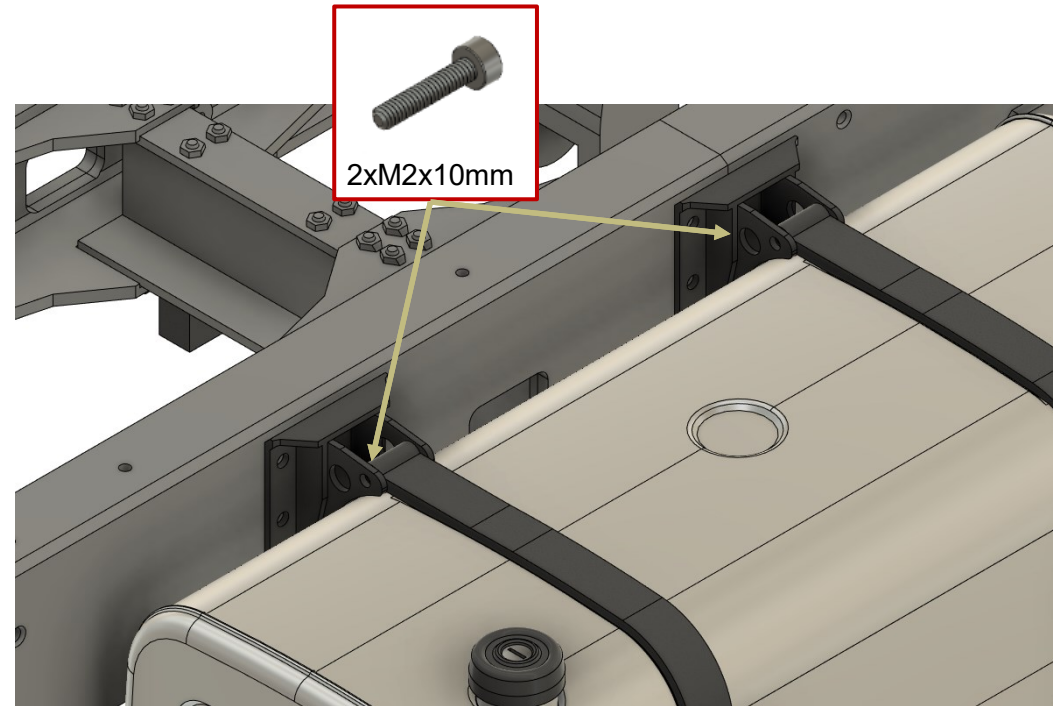
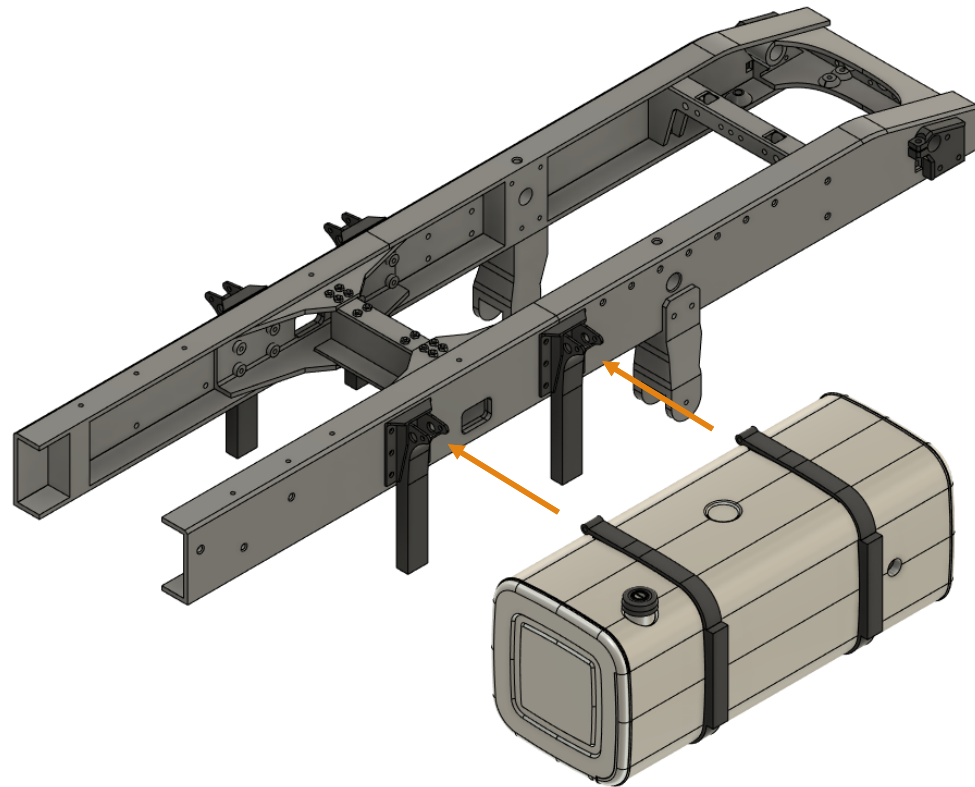
Chassis



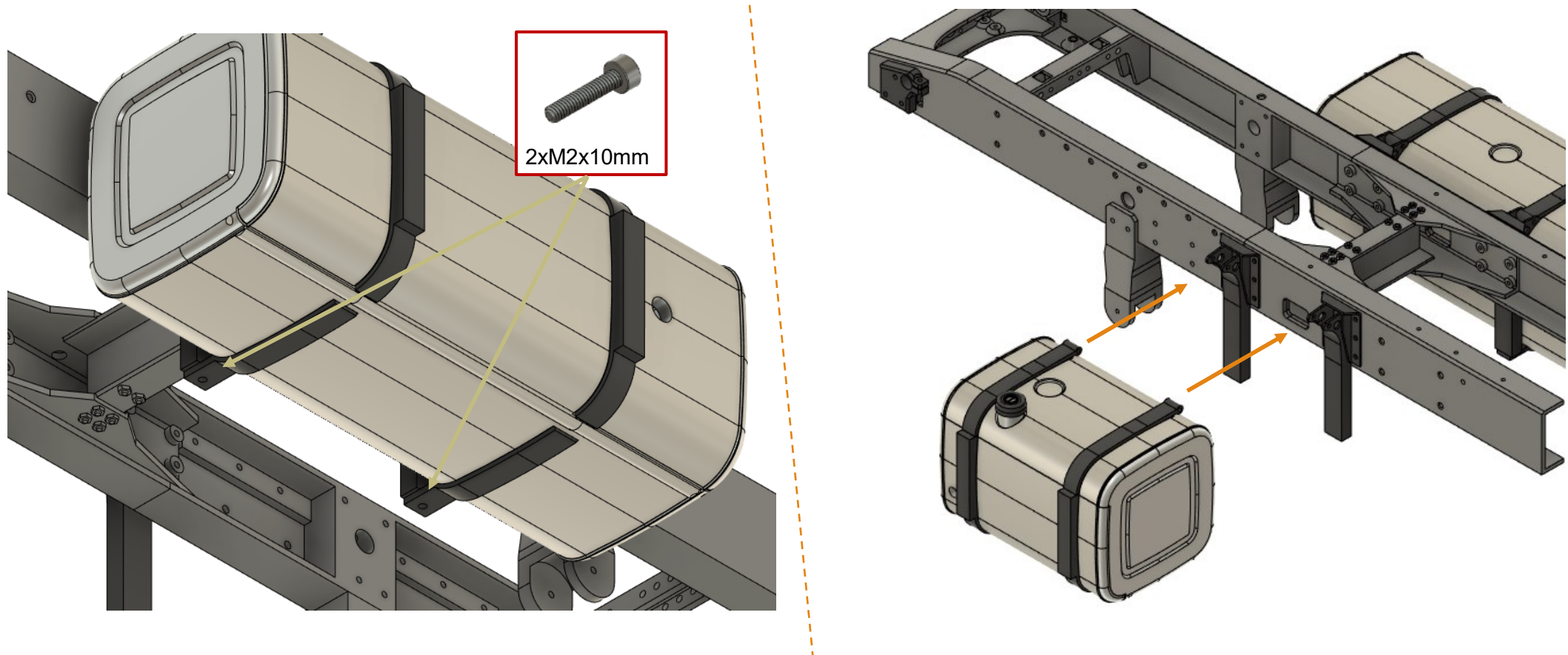
Chassis



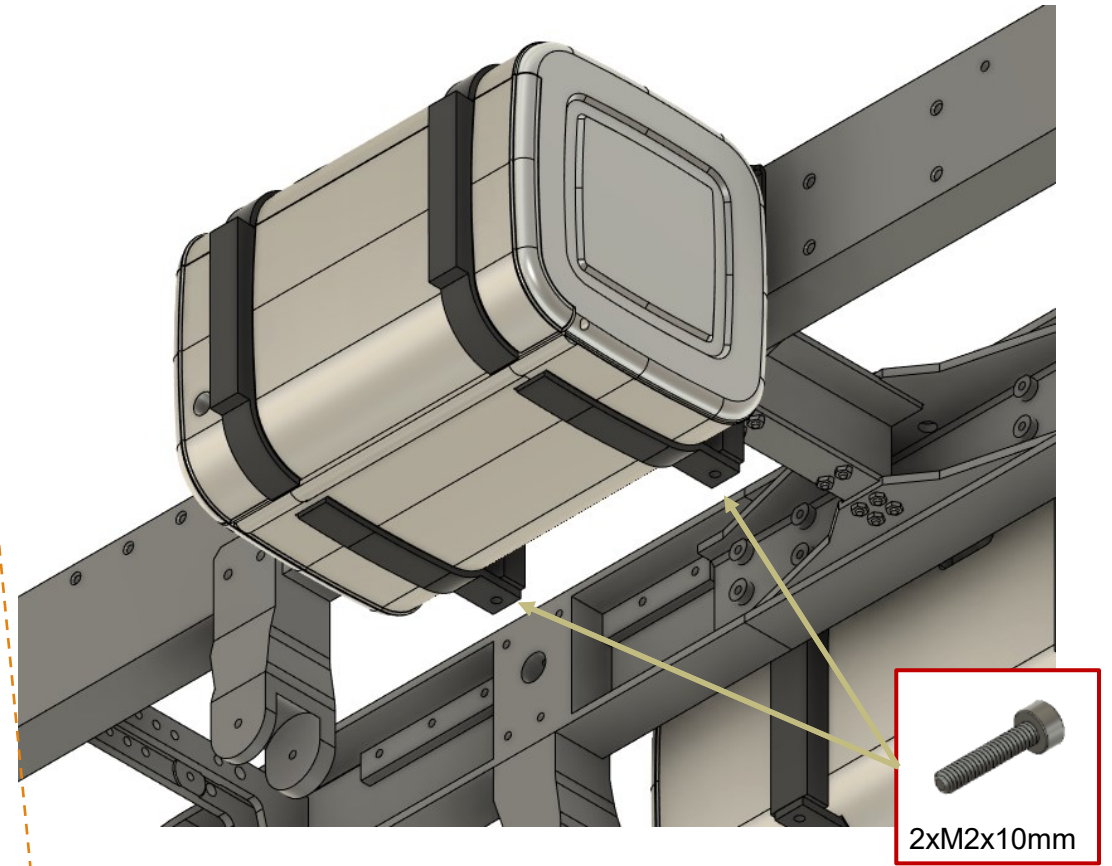
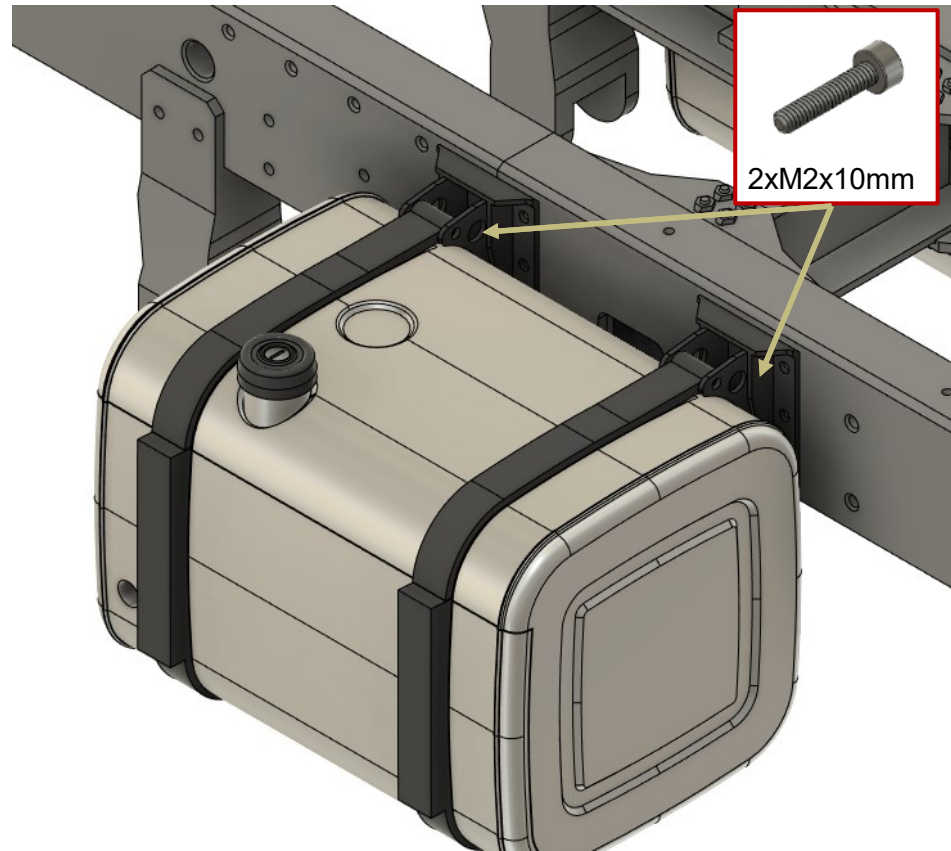
Chassis



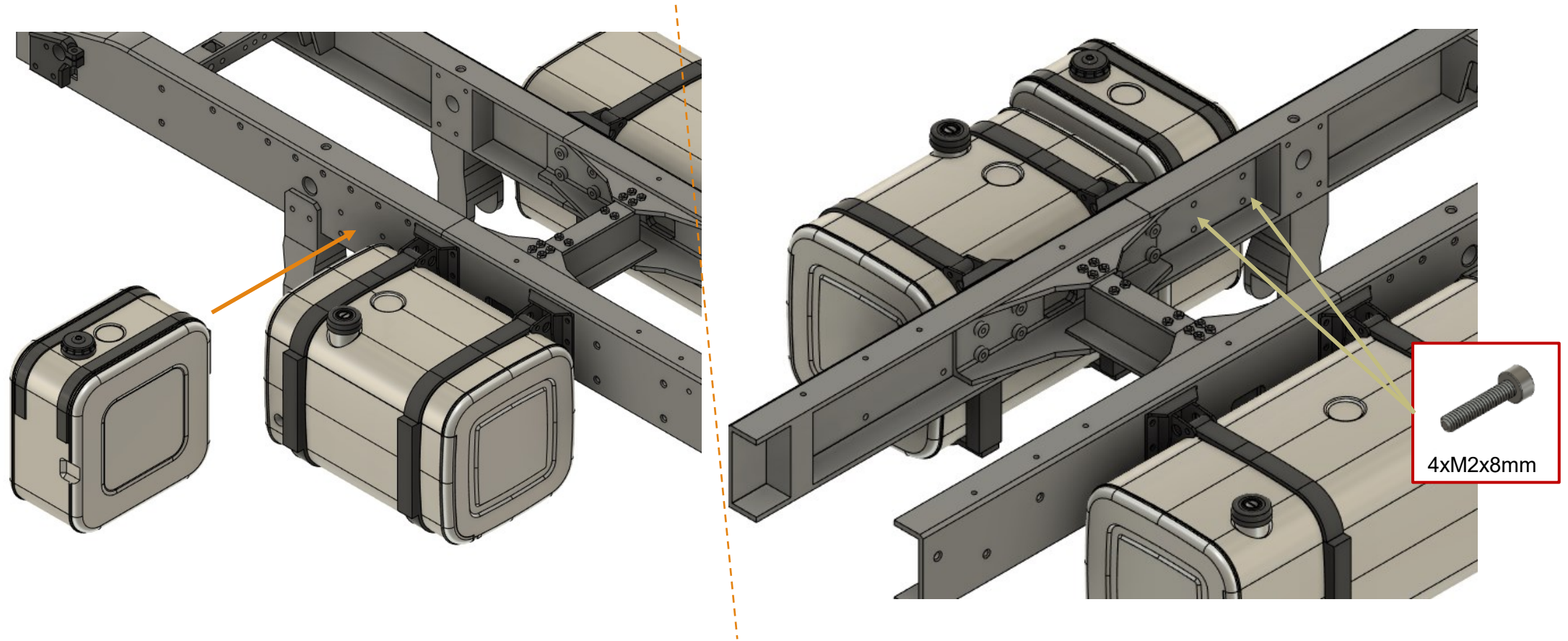
Chassis



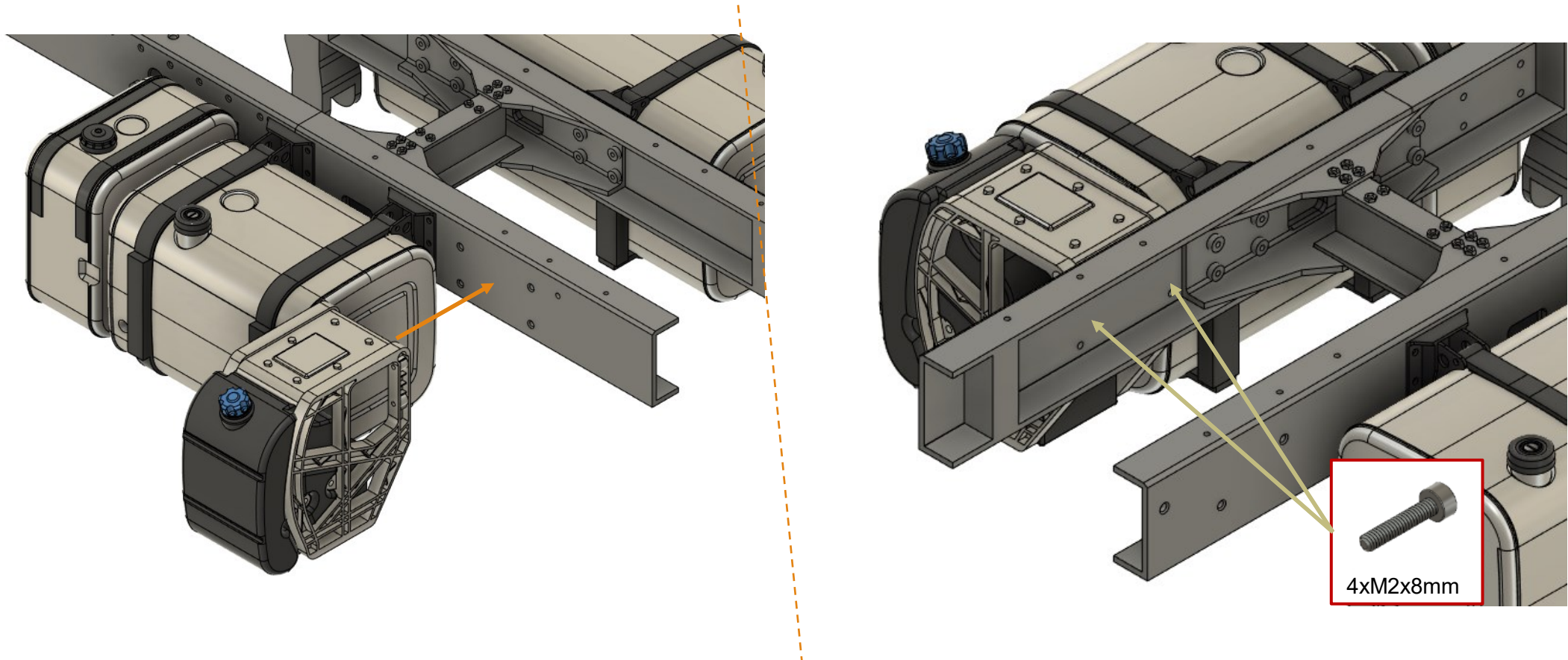
Chassis



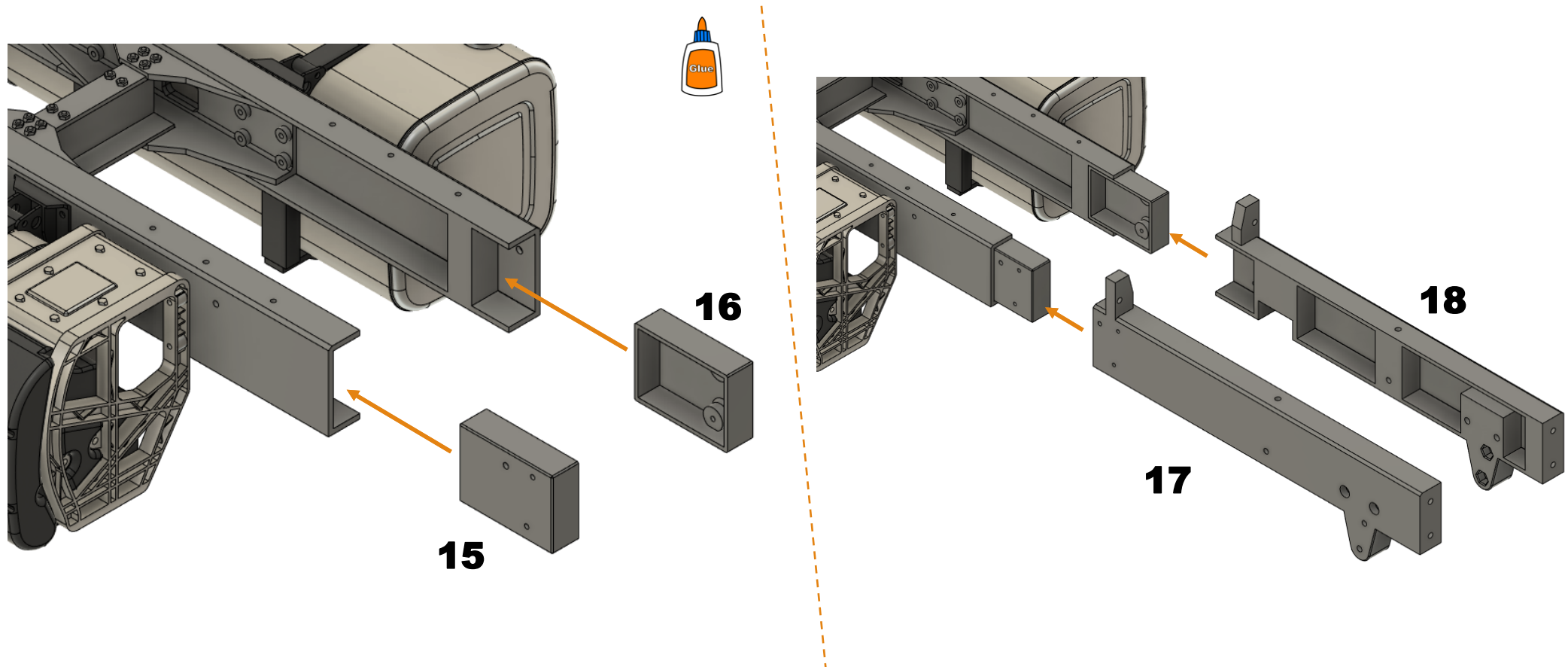
Chassis



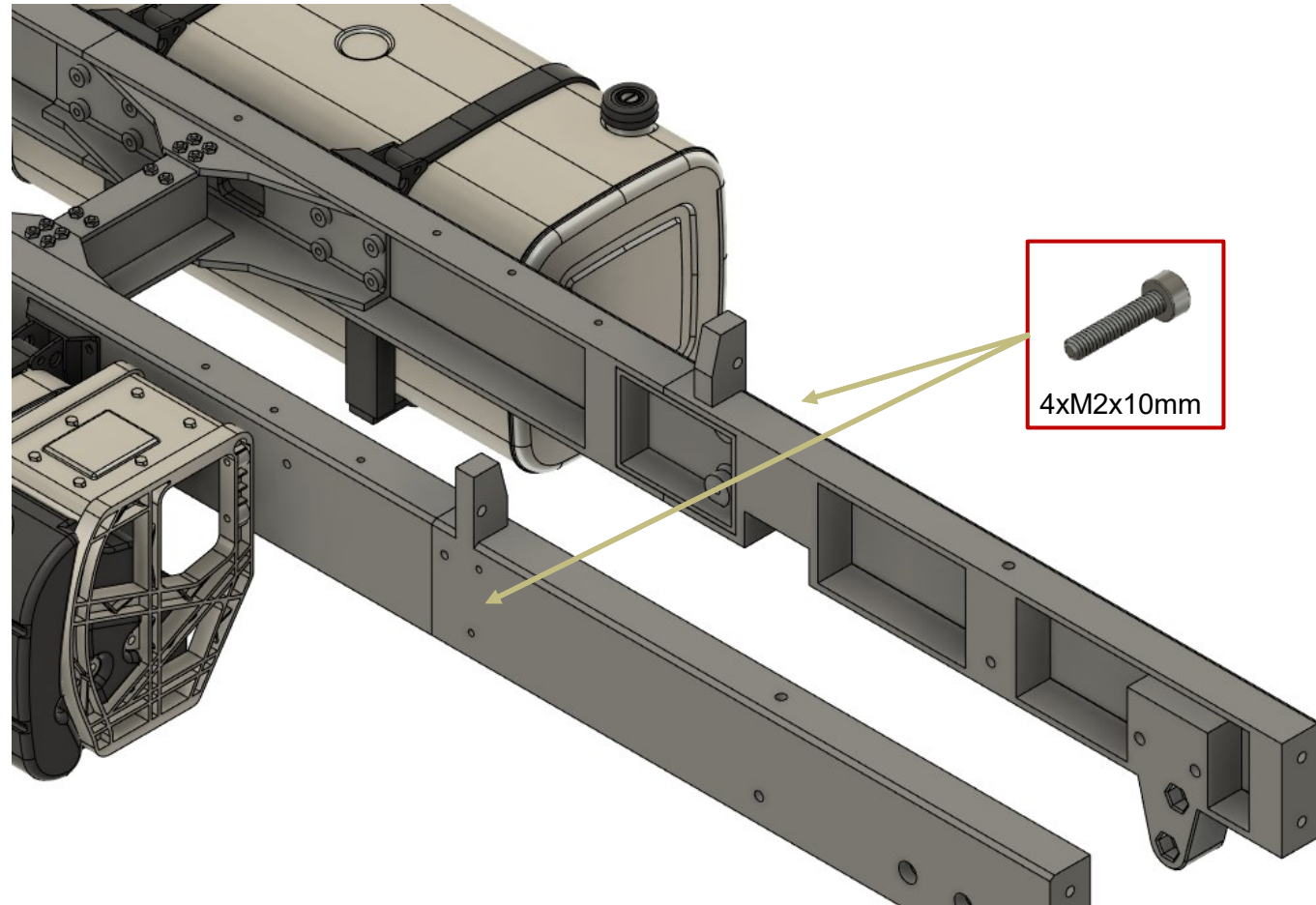
Chassis



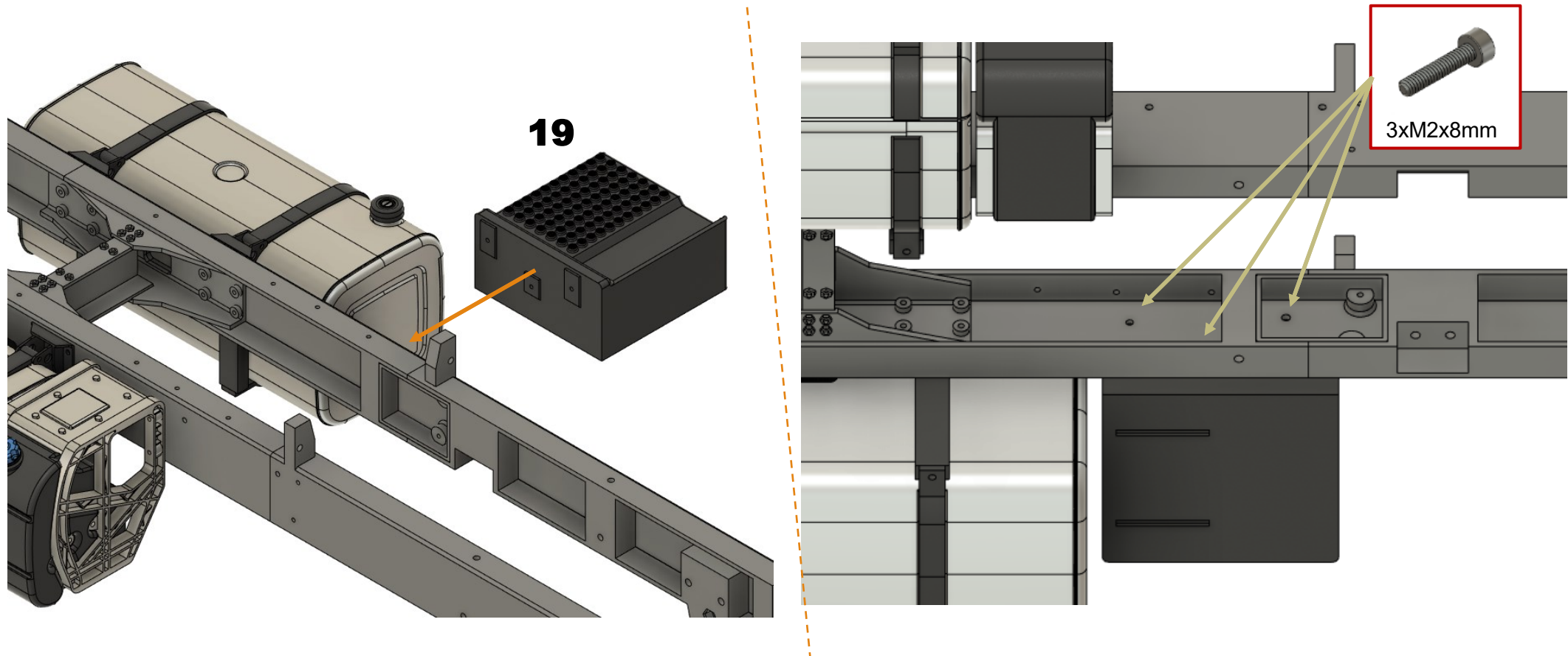
Chassis



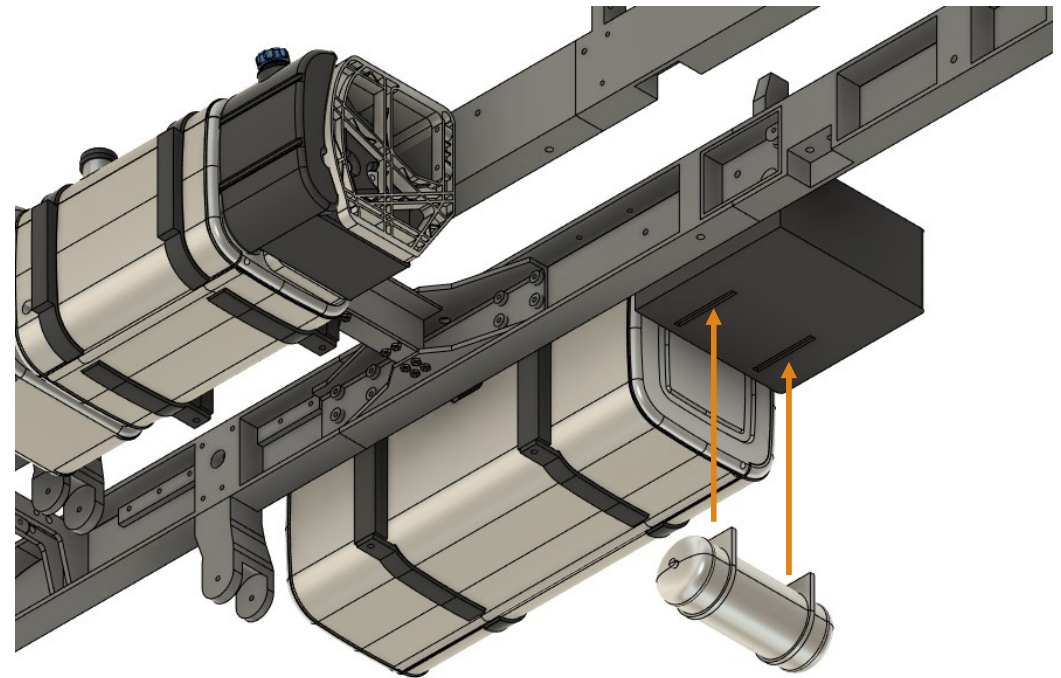
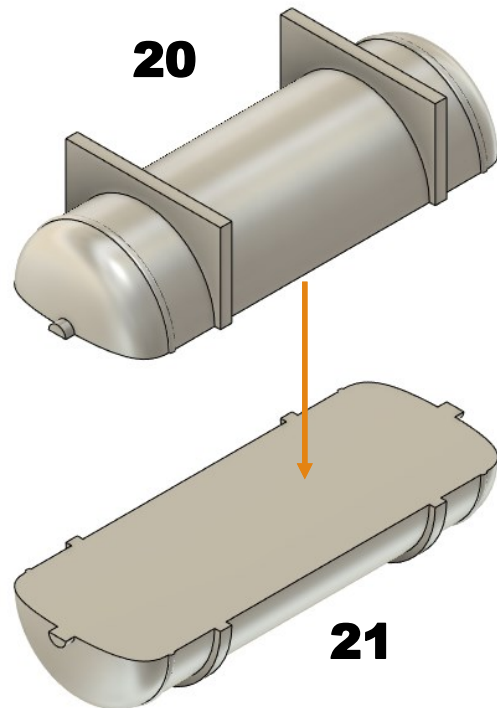
Chassis



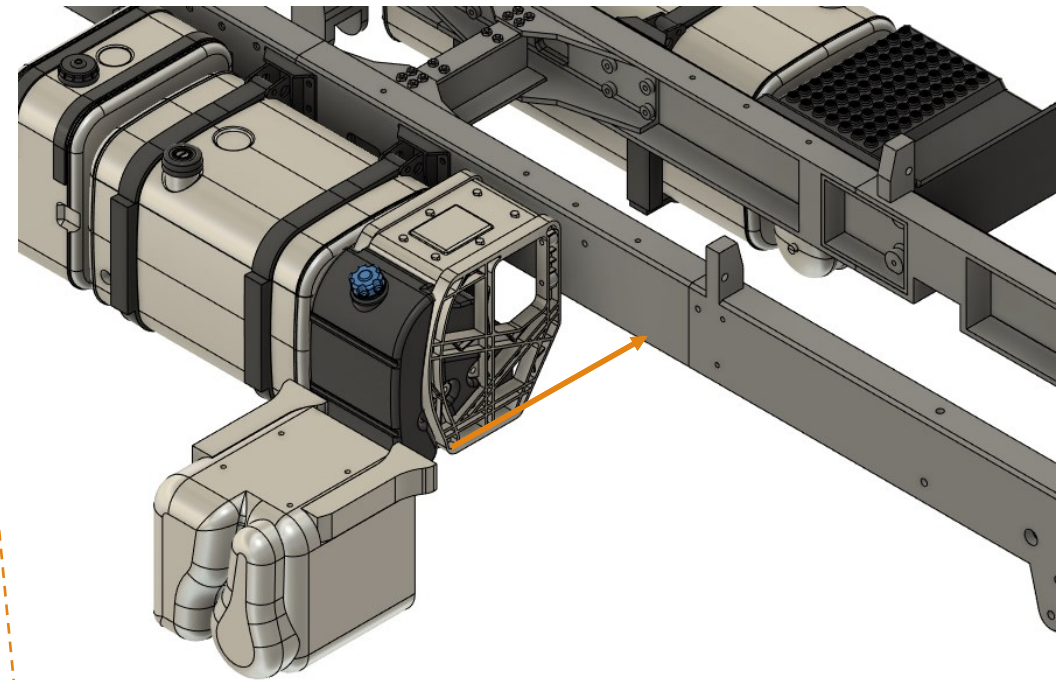
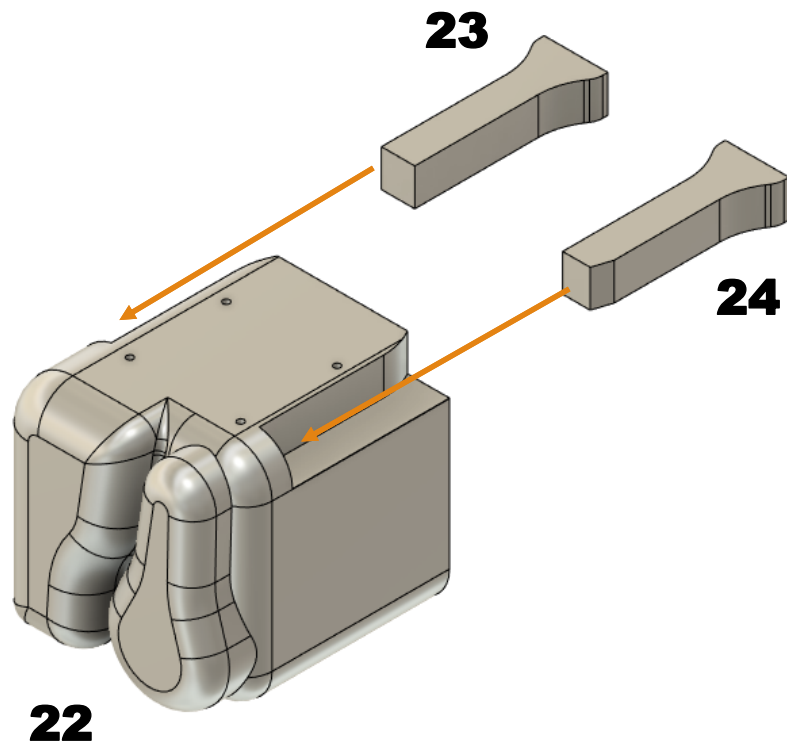
Chassis



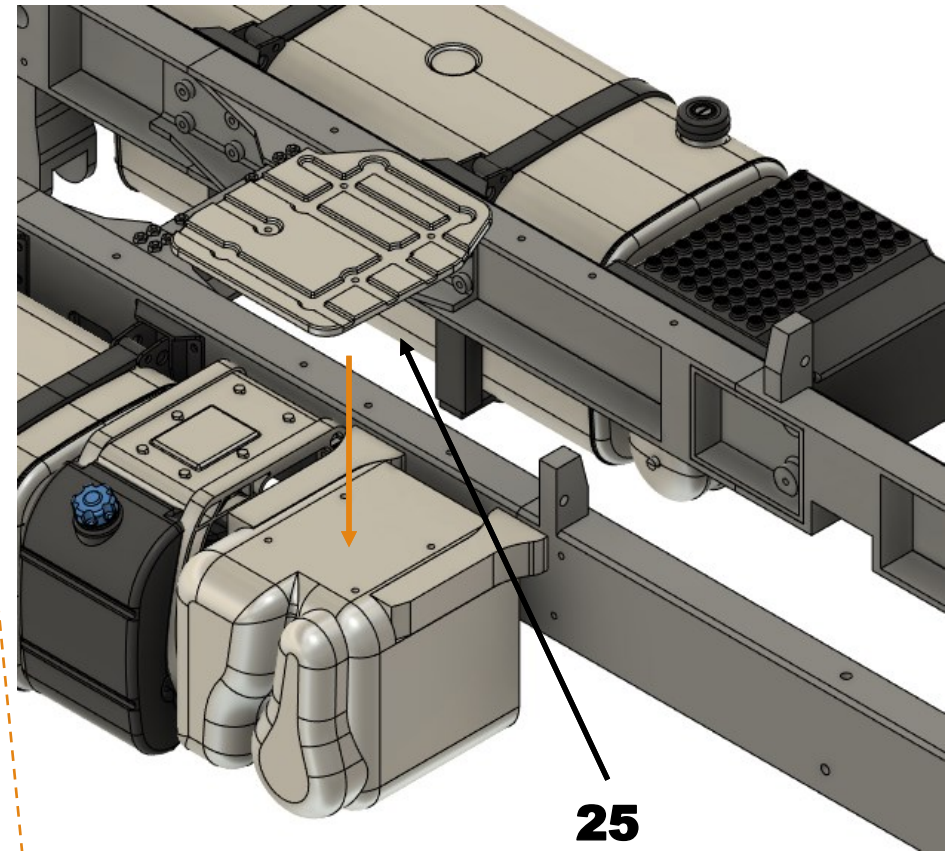
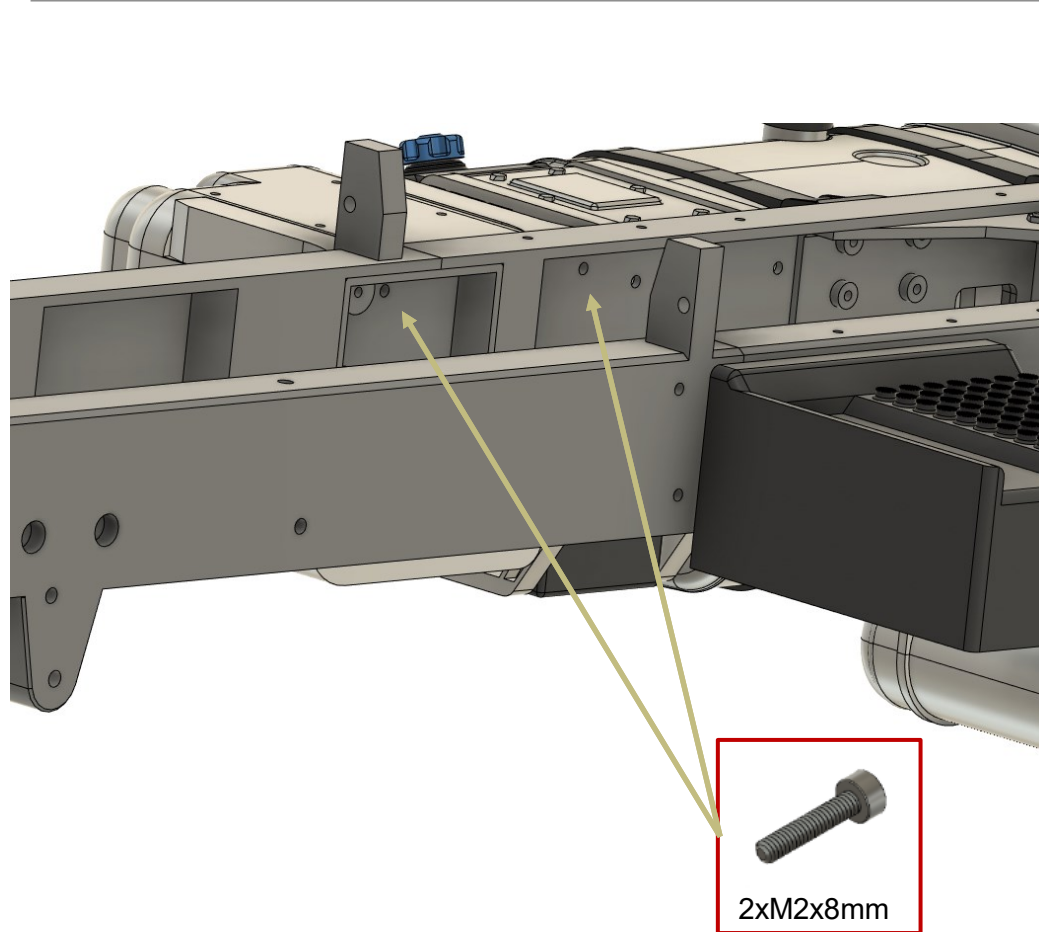
Chassis



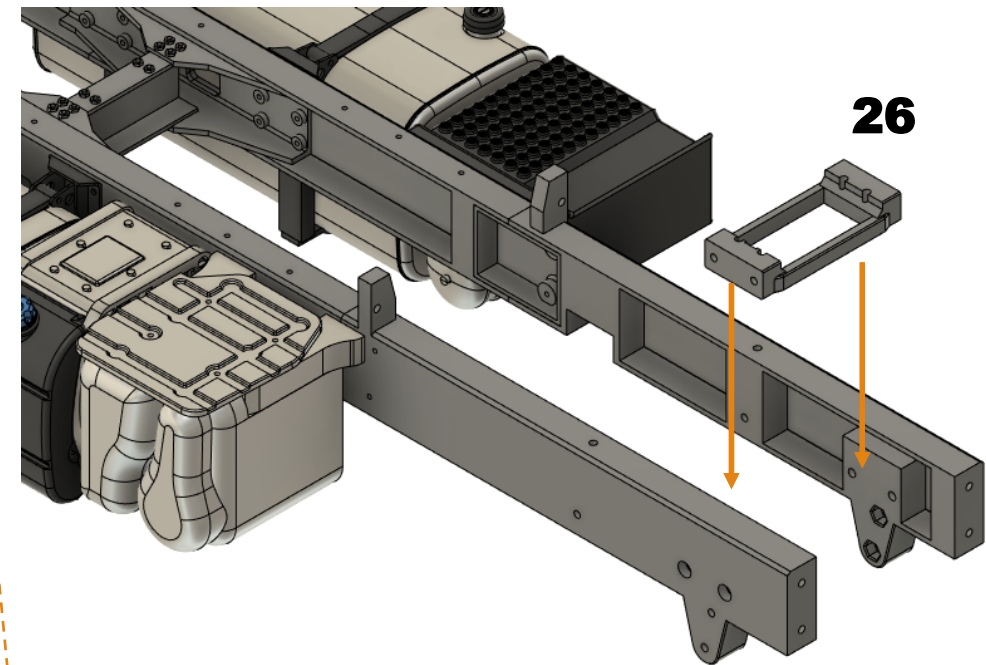
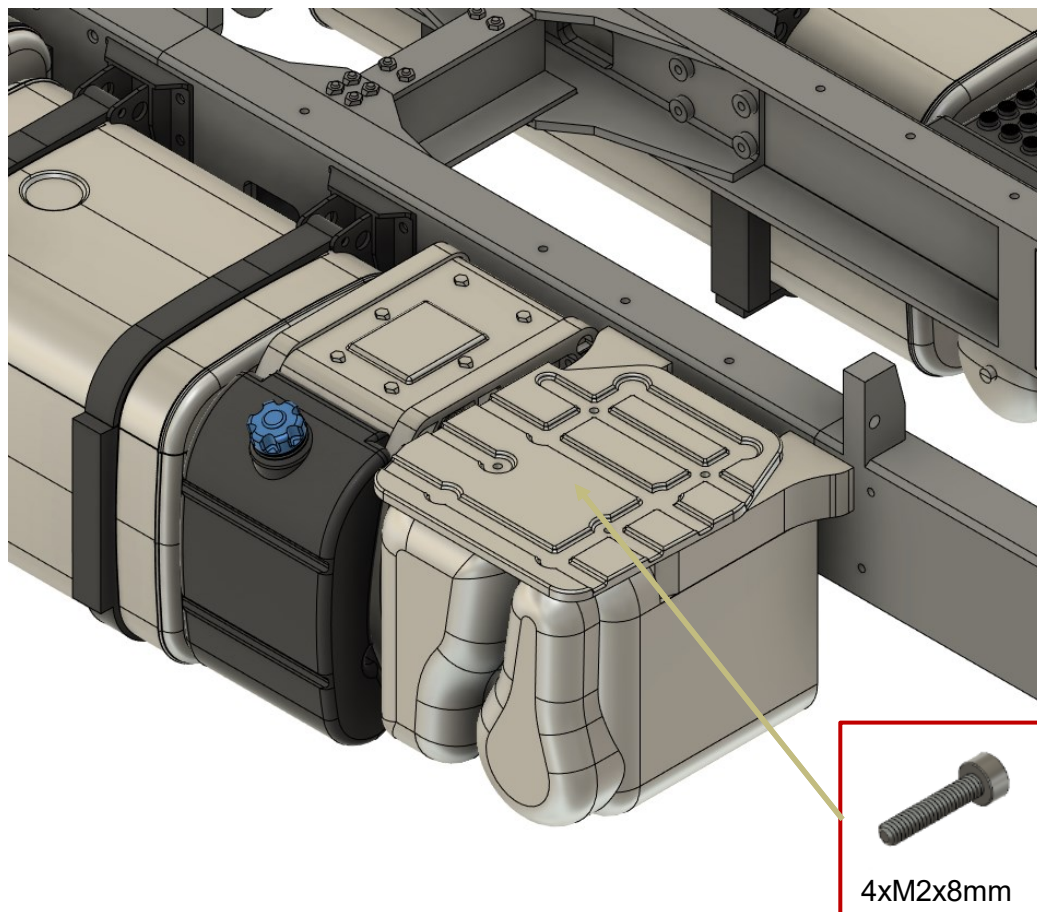
Chassis



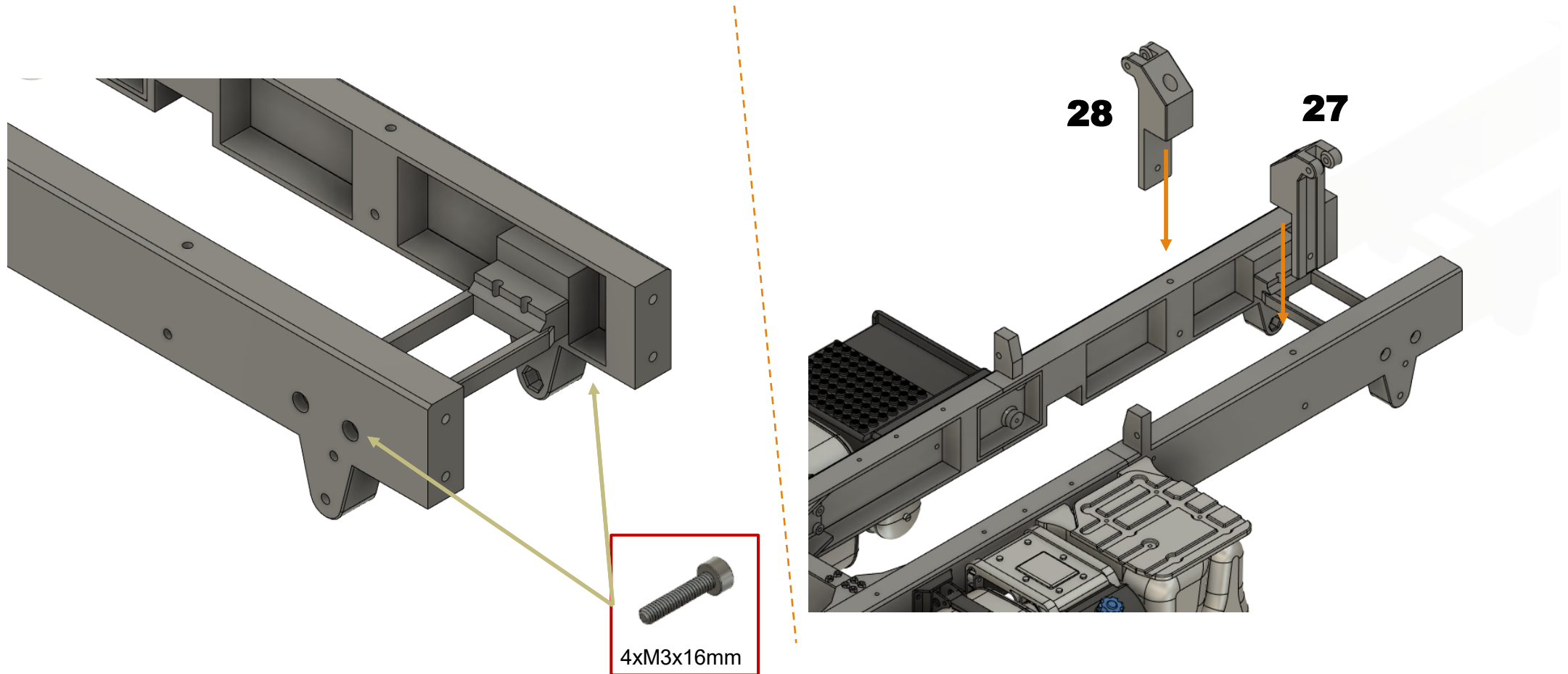
Chassis



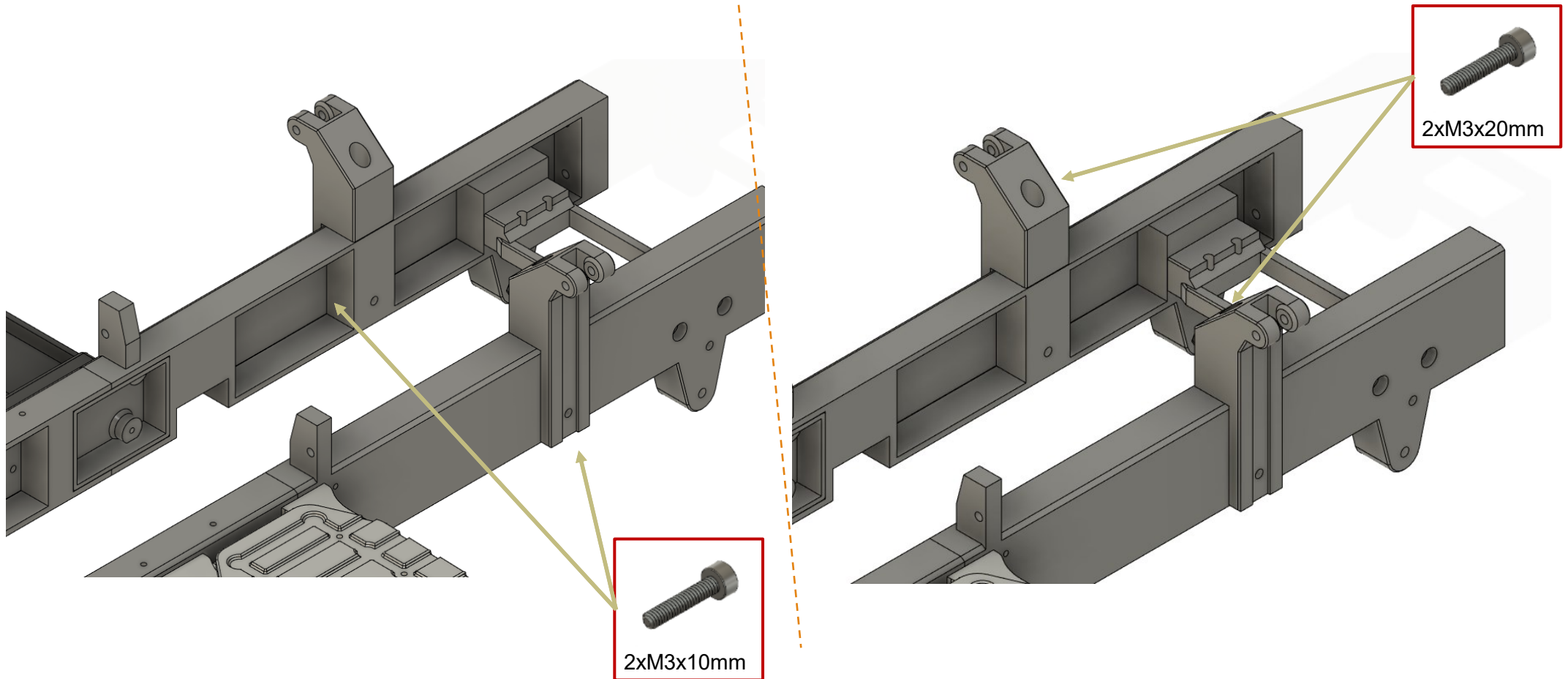
Chassis



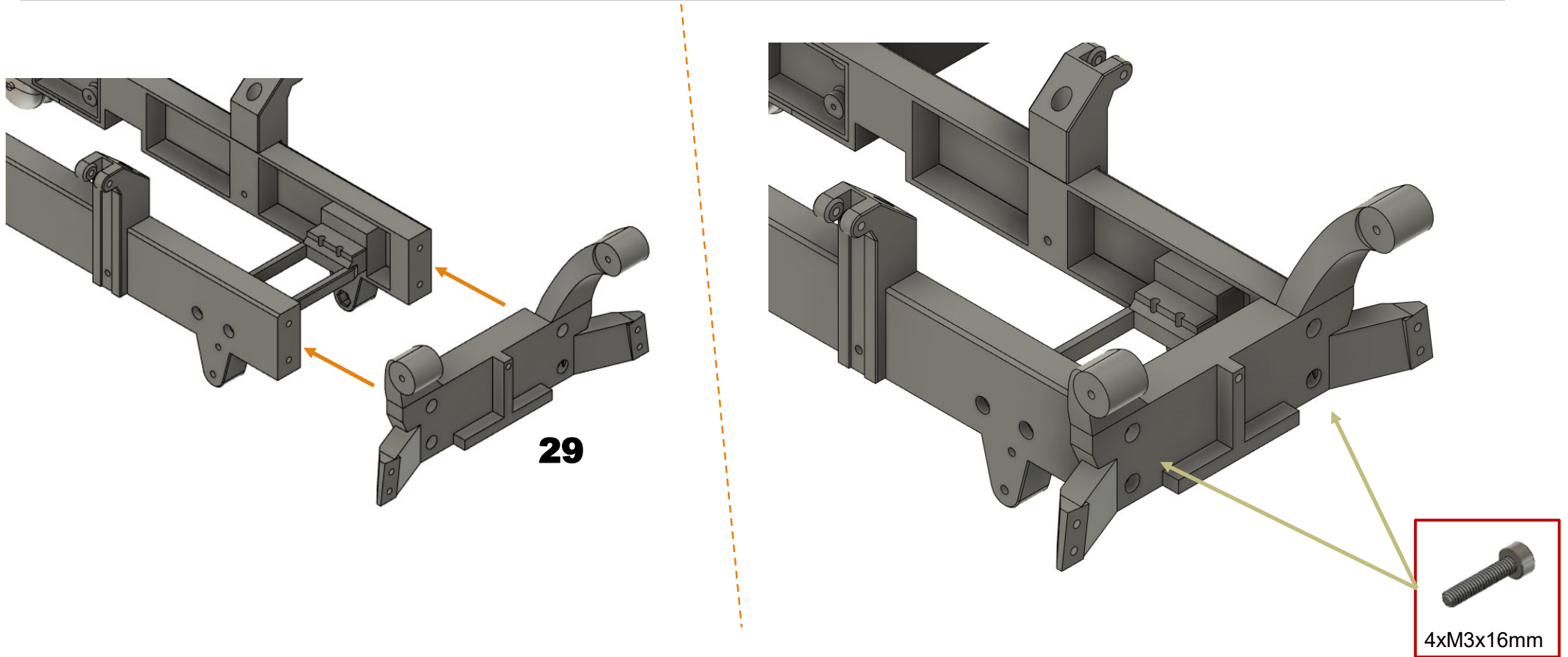
Chassis



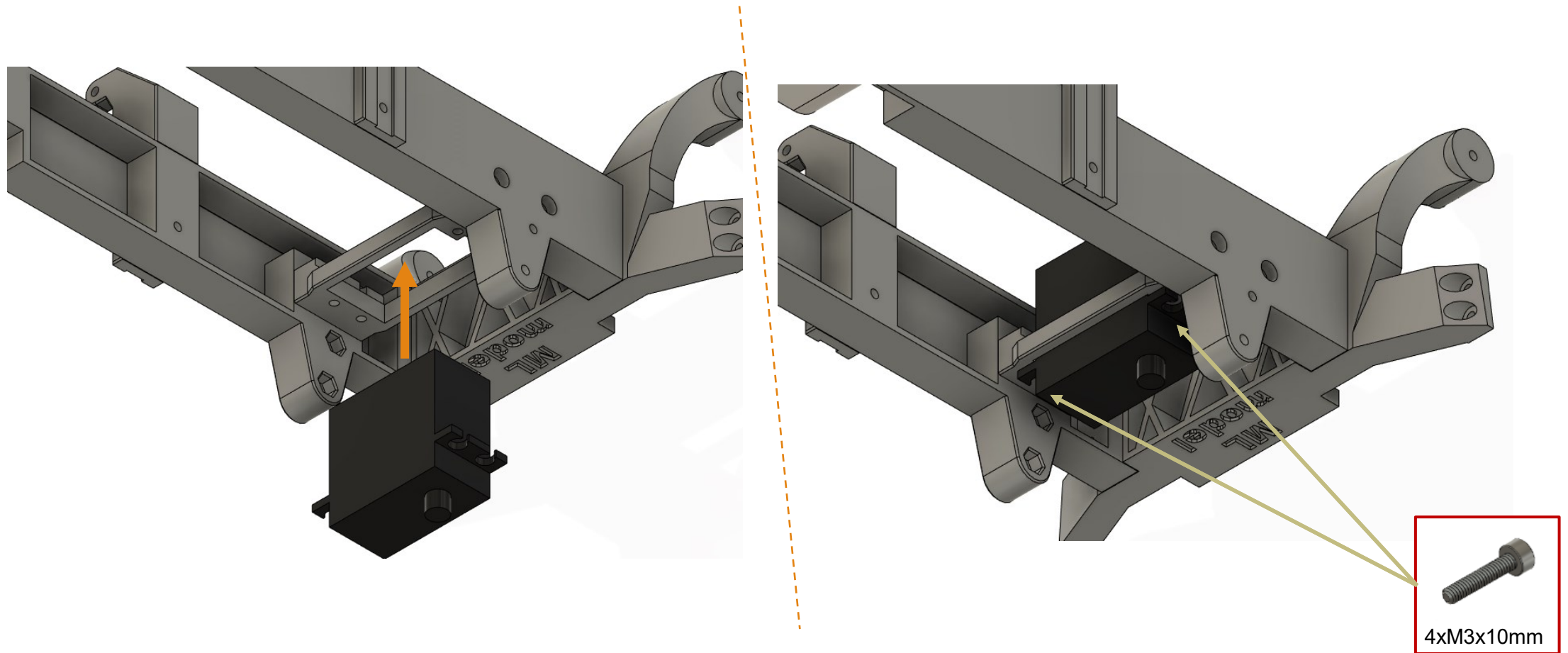
Chassis



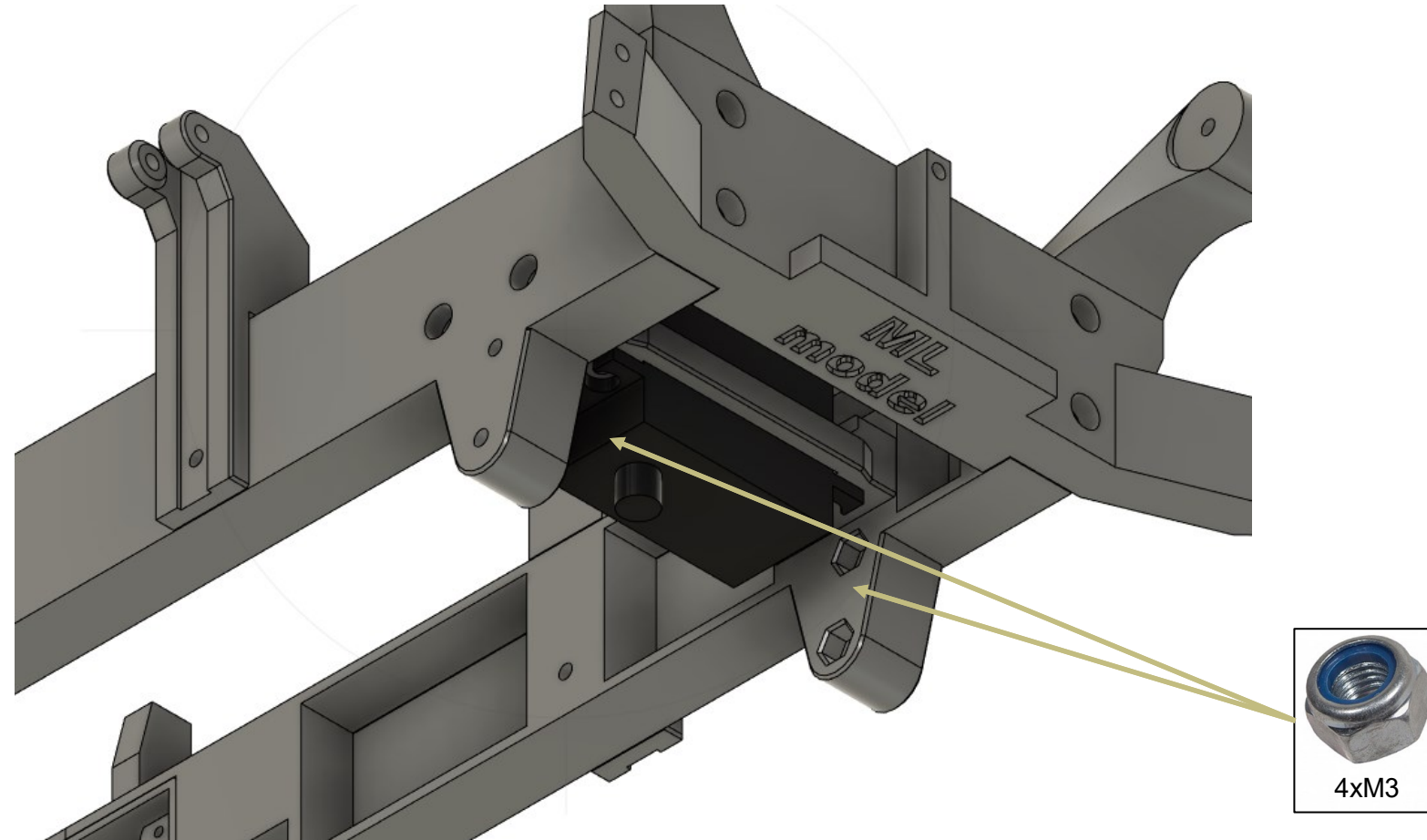
Chassis



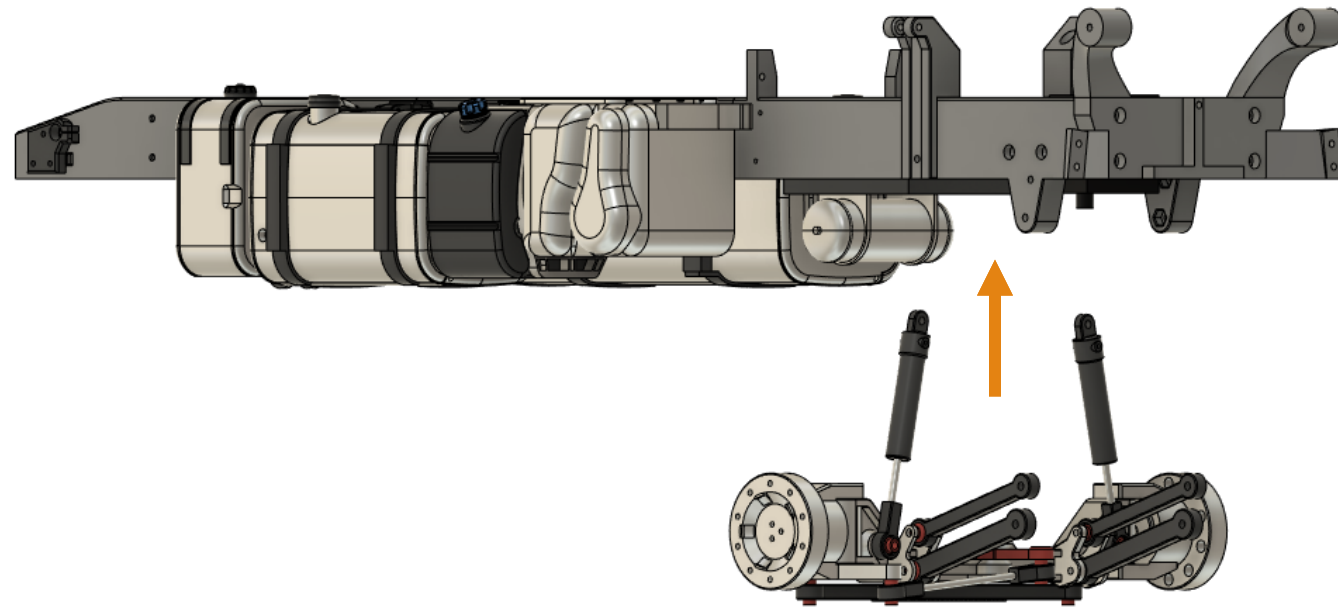
Chassis



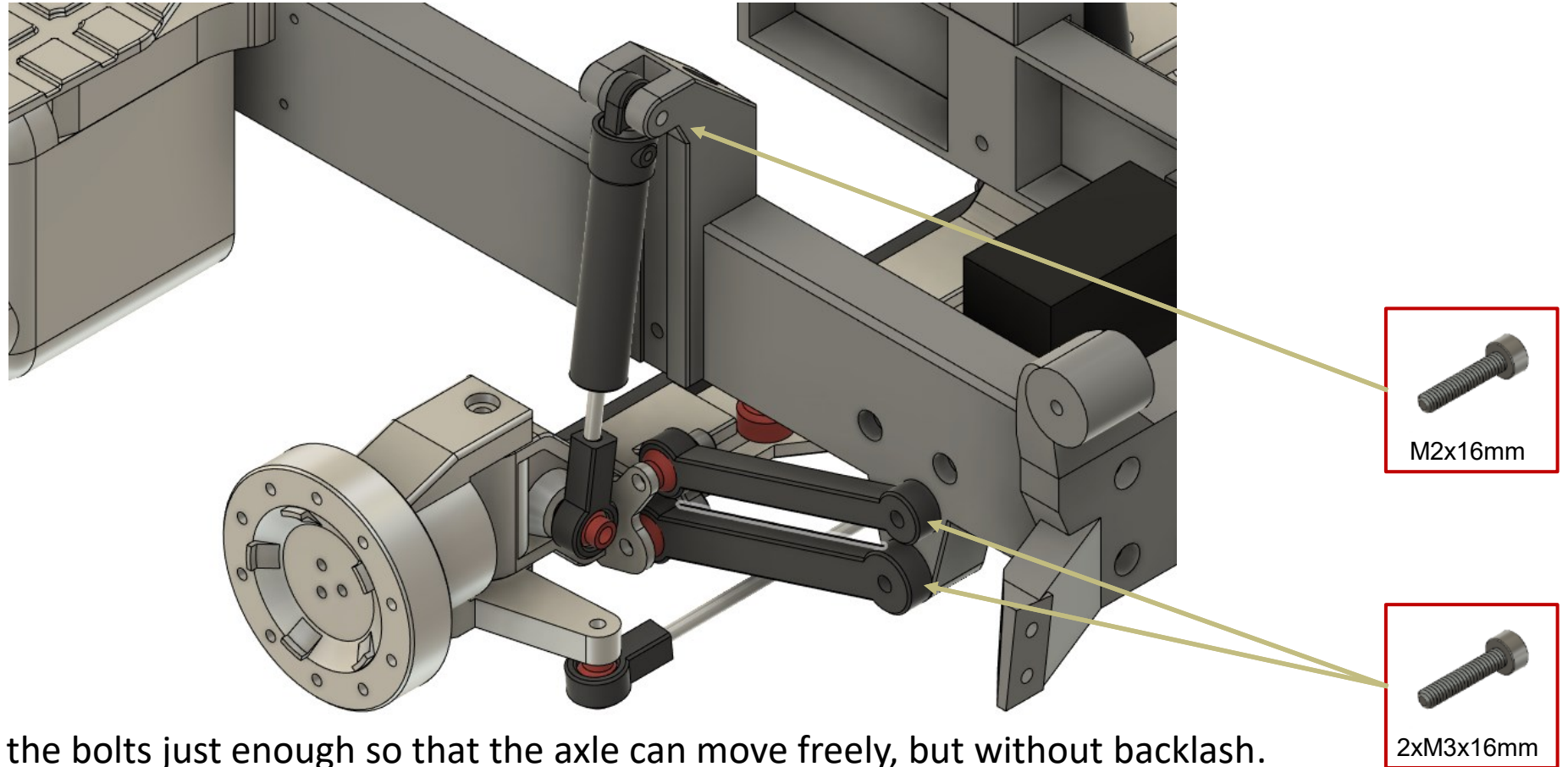
Chassis



Chassis

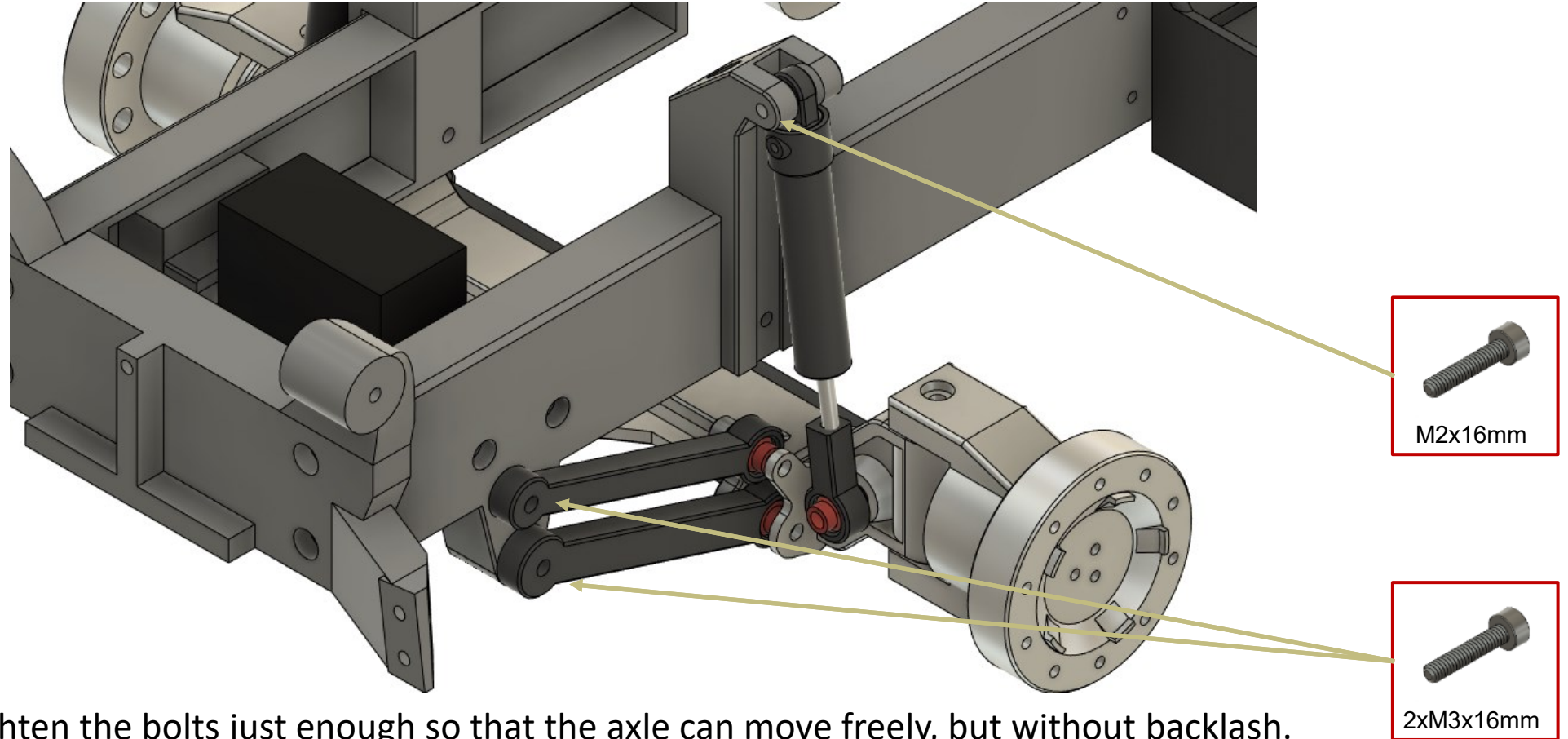


Chassis

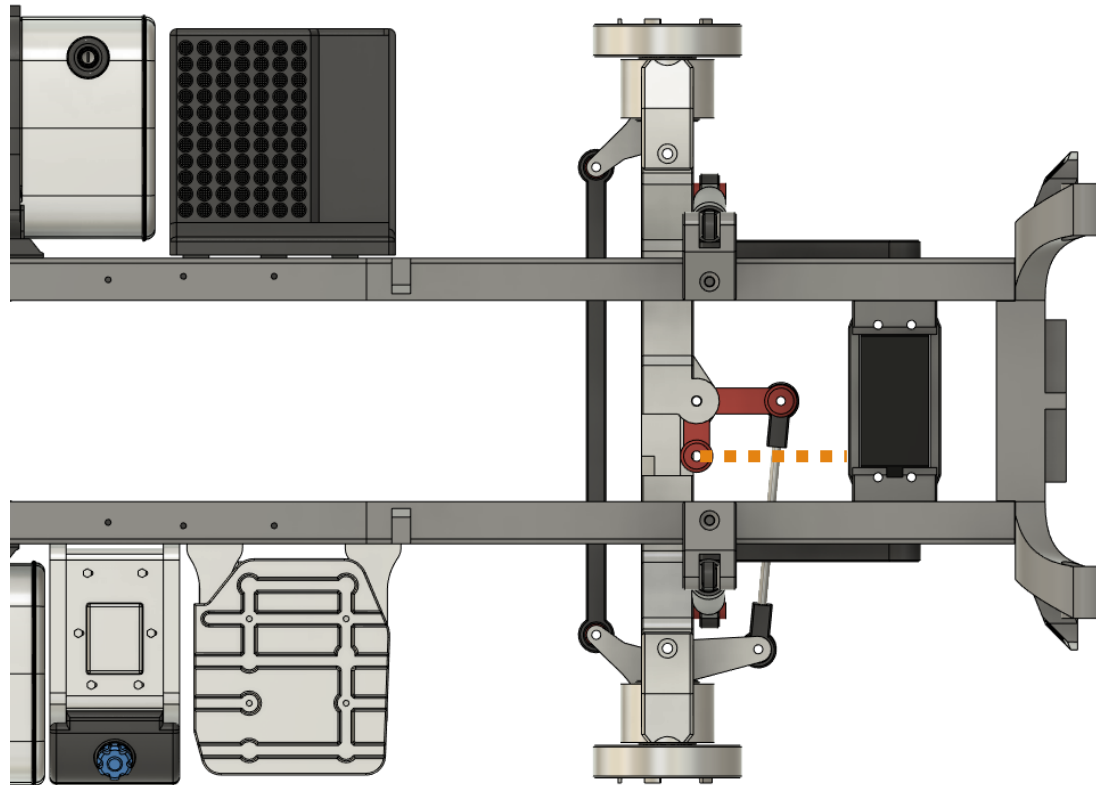


Tighten the bolts just enough so that the axle can move freely, but without backlash.

Chassis

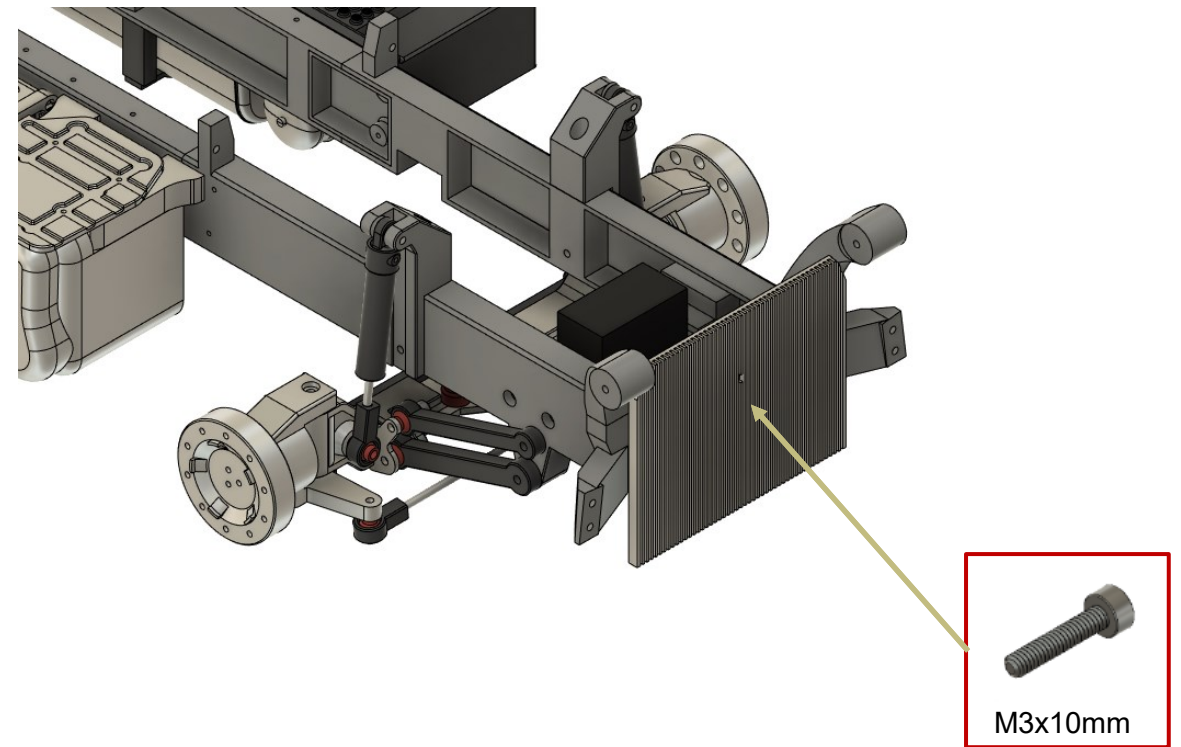
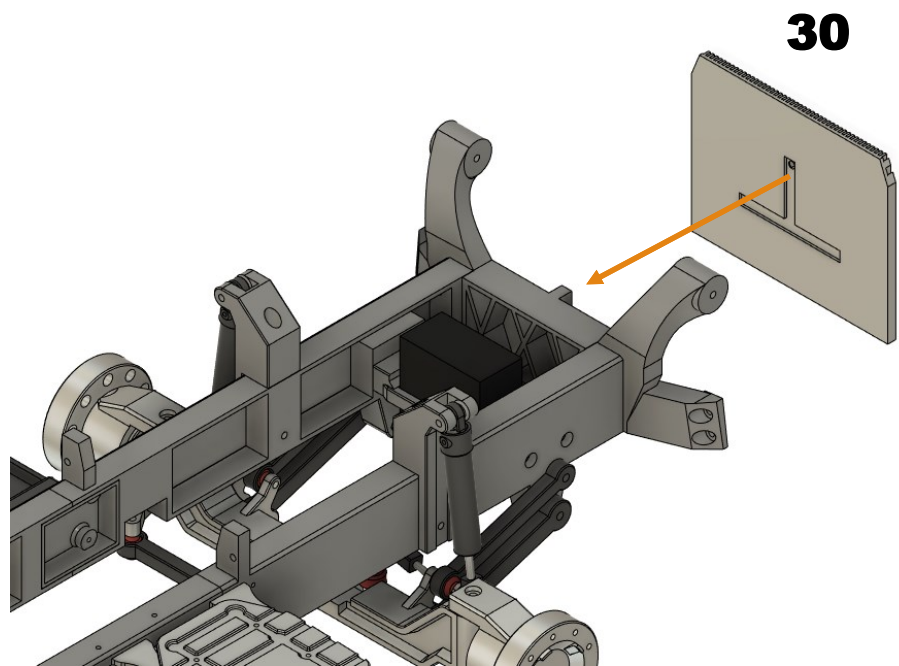


Chassis



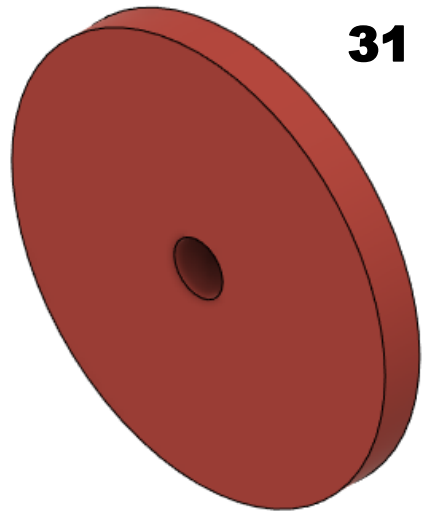
Make a steering linkage. You can use the printed knuckles from the previous steps.

Chassis



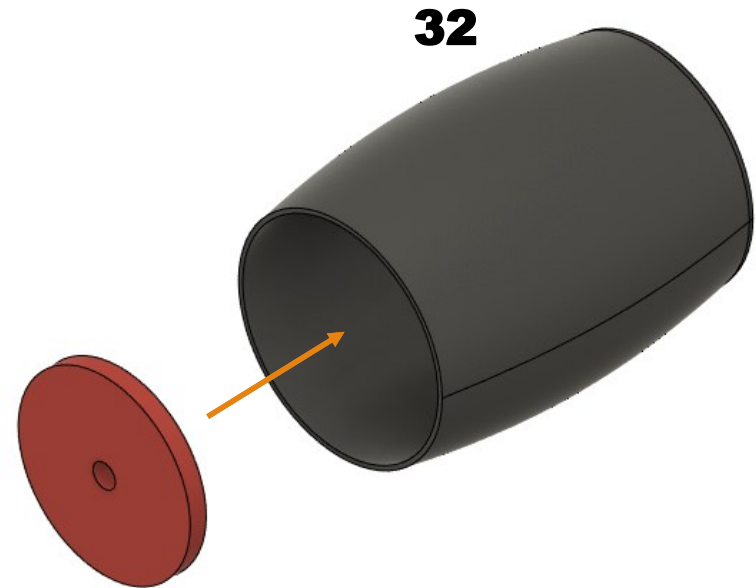
Chassis

2x



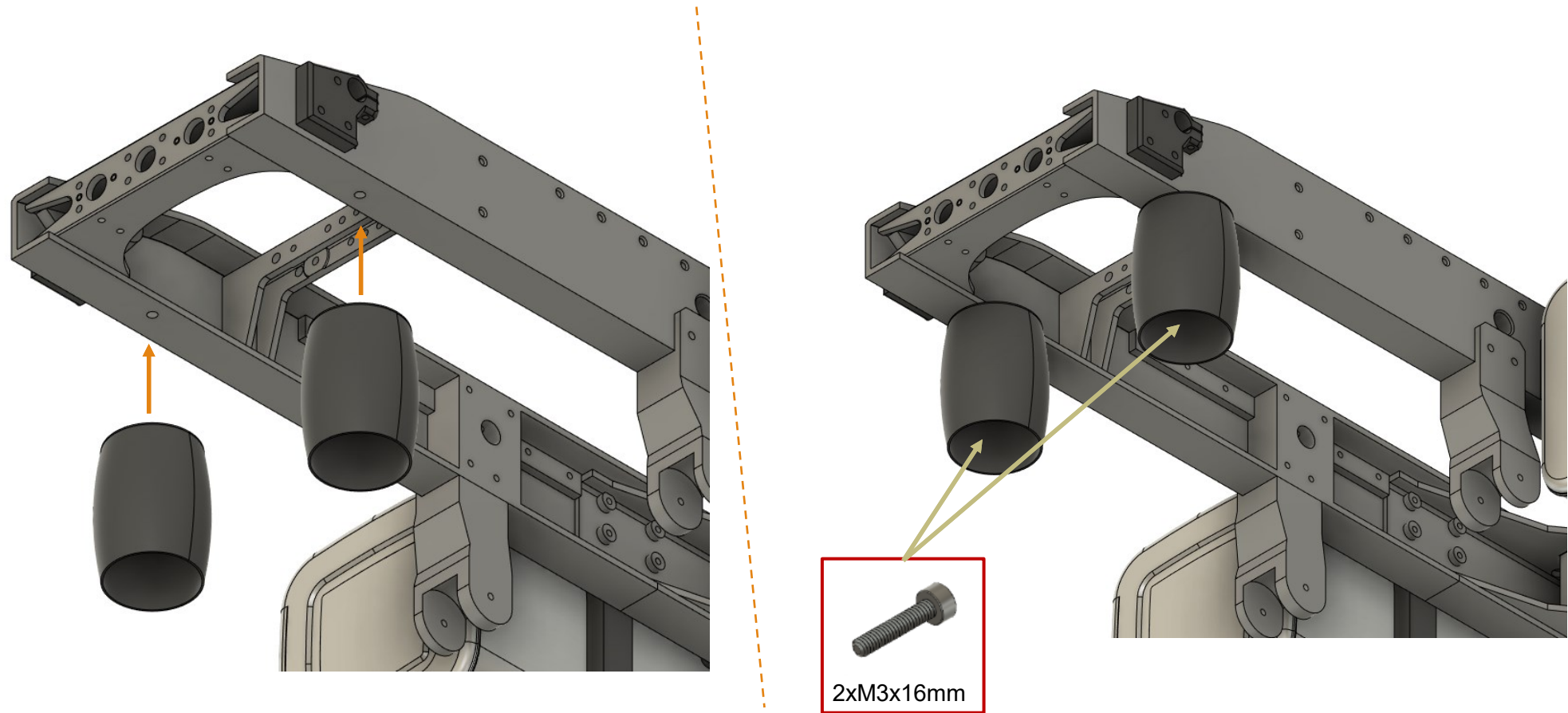
Part 31 adjusts the ground clearance of the rear axle.
In the slicer, adjust the height of the part as needed.

2x



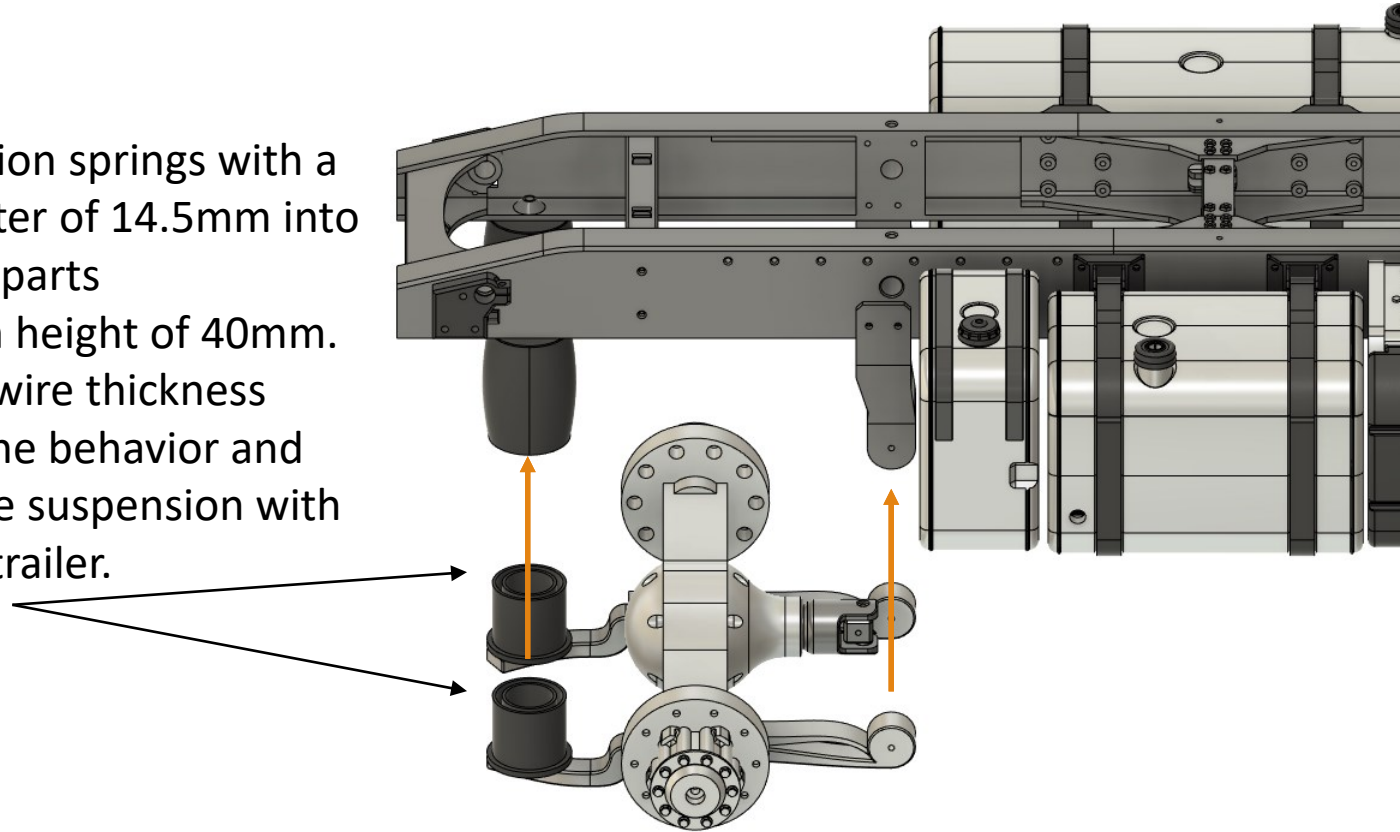
Part 32 adjusts the rear axle suspension stop.
I recommend printing from FLEX material.
In the slicer, adjust the height of the part as needed.

Chassis

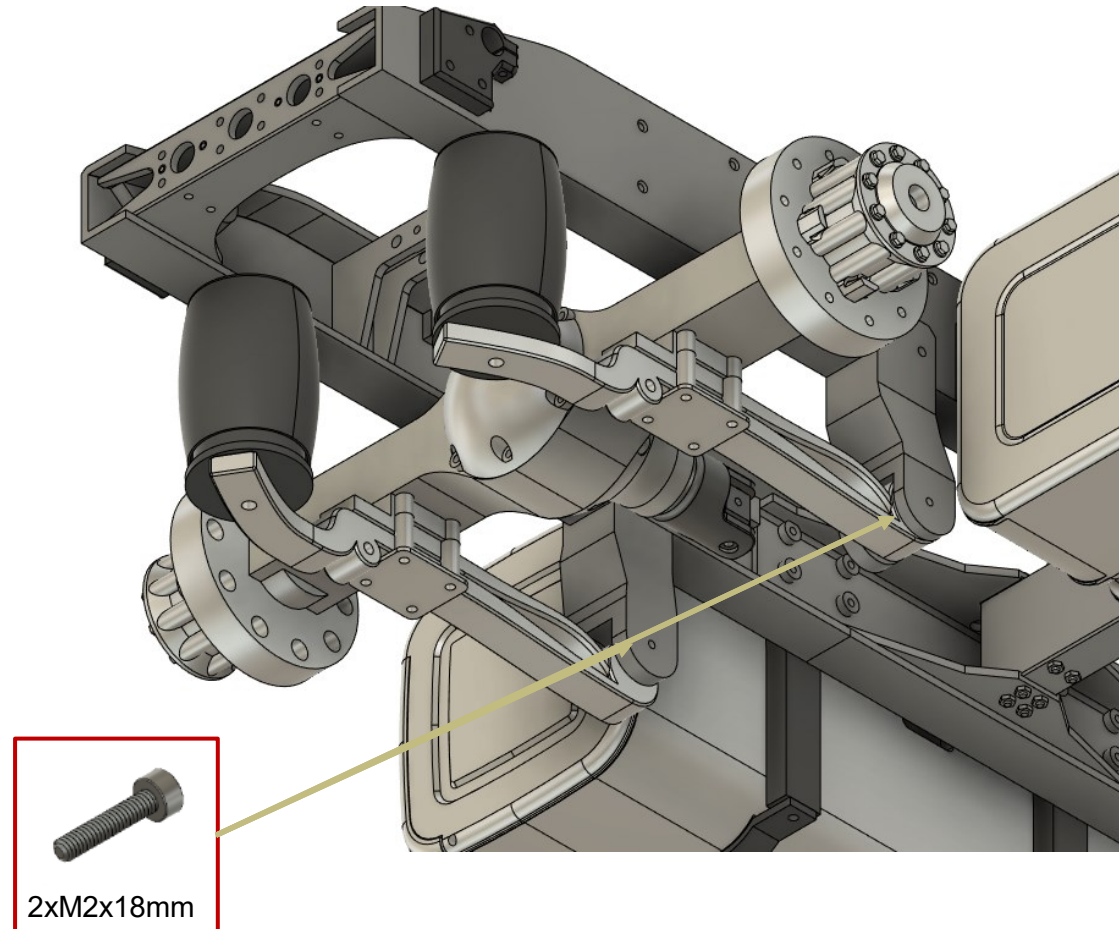


Chassis

Insert compression springs with a maximum diameter of 14.5mm into the parts
And a maximum height of 40mm.
Choose the wire thickness according to the behavior and sufficiency of the suspension with the trailer.

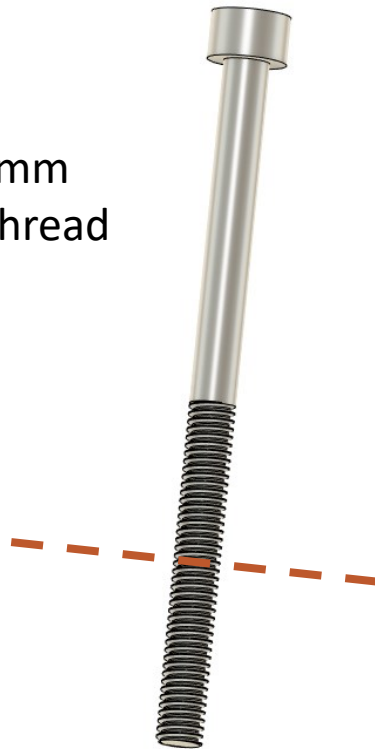


Chassis



Chassis

Screw M3x35mm
Cut half of the thread



2x

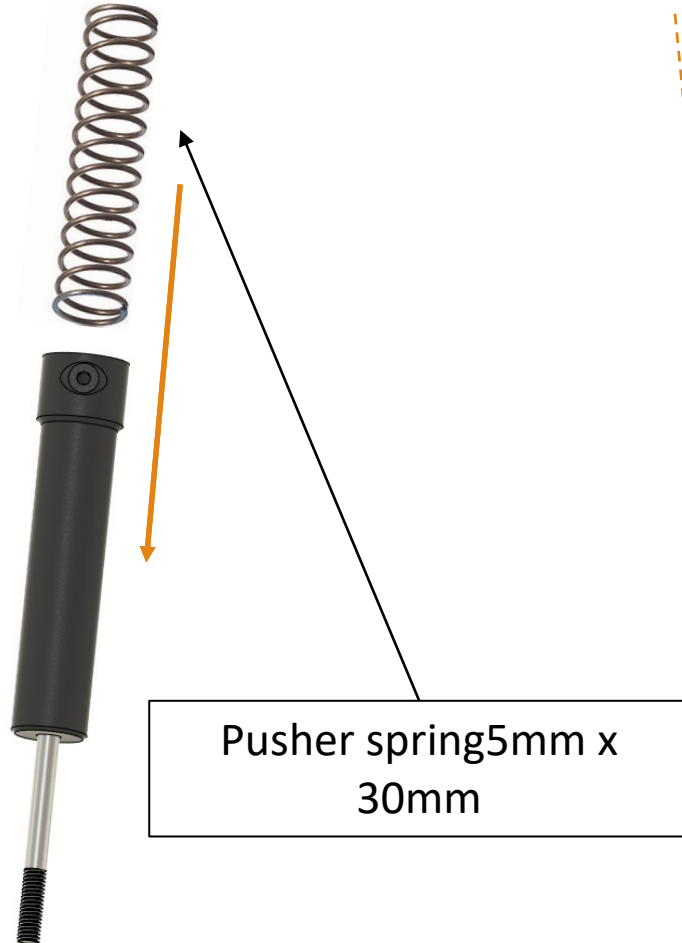
30



2x

Chassis

2x

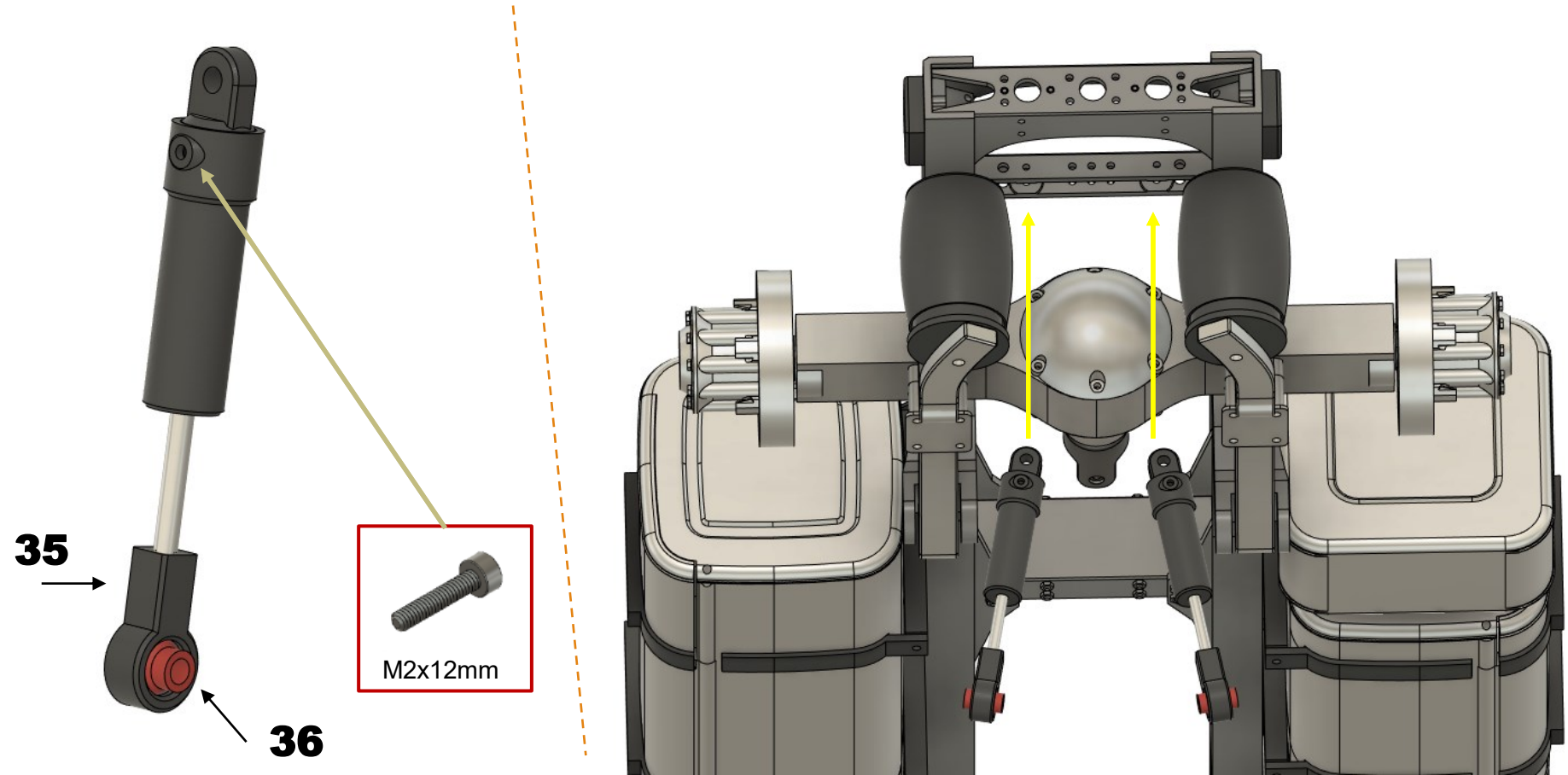


2x

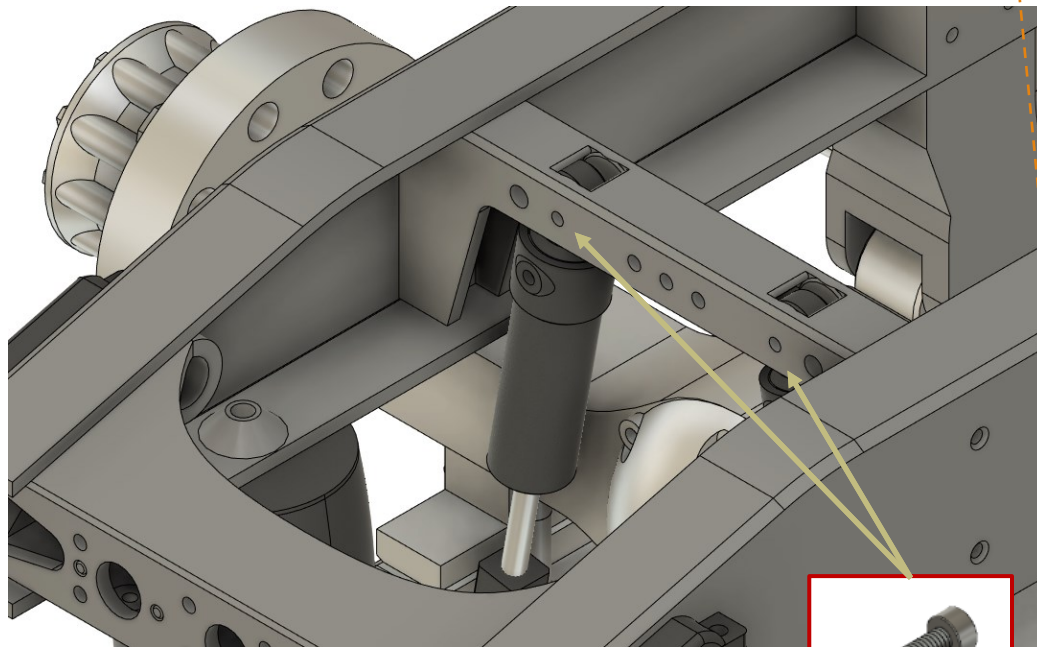


Chassis

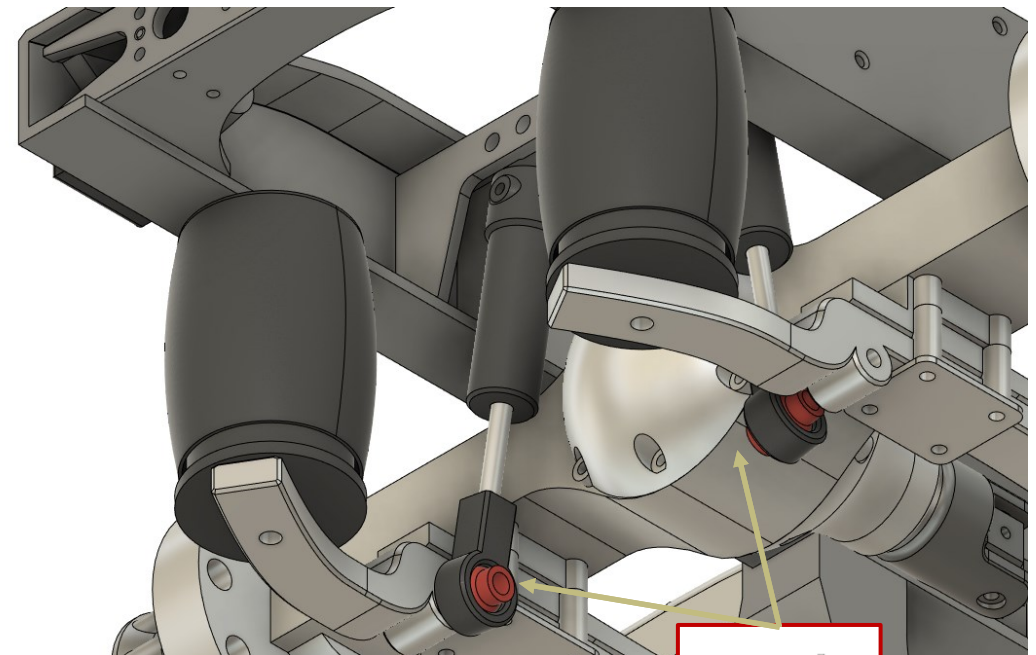
2x



Chassis

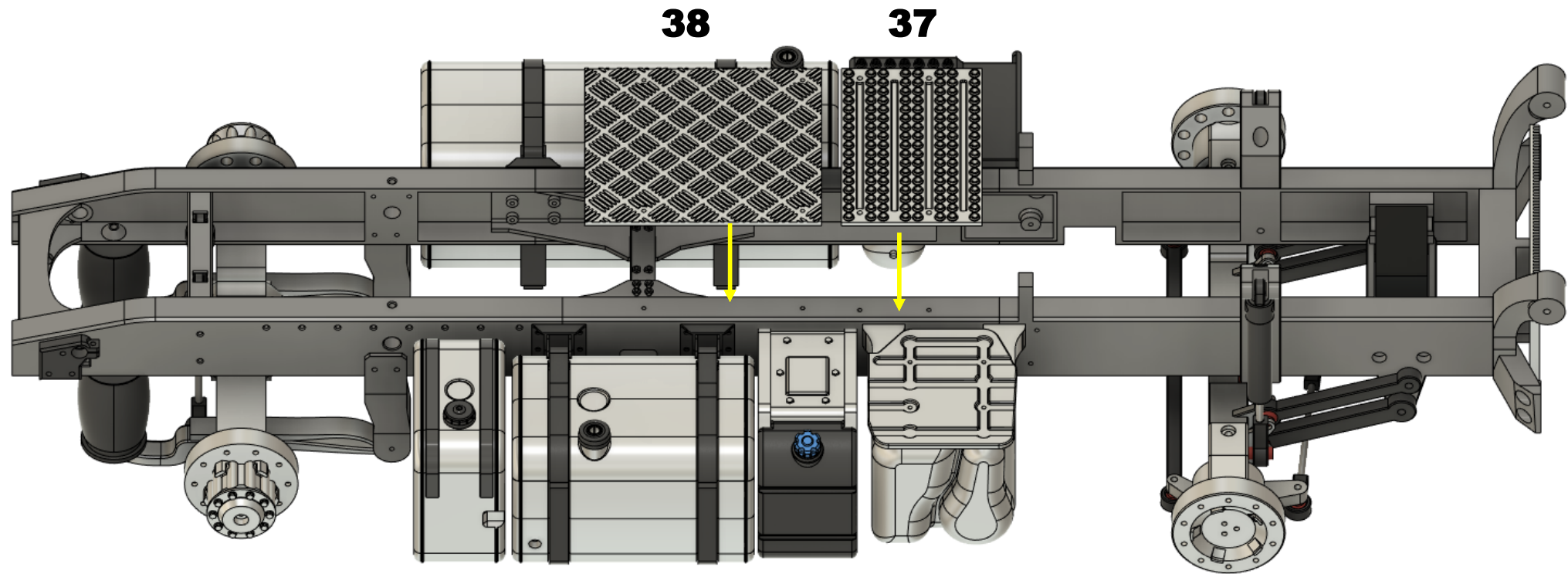


2xM3x10mm

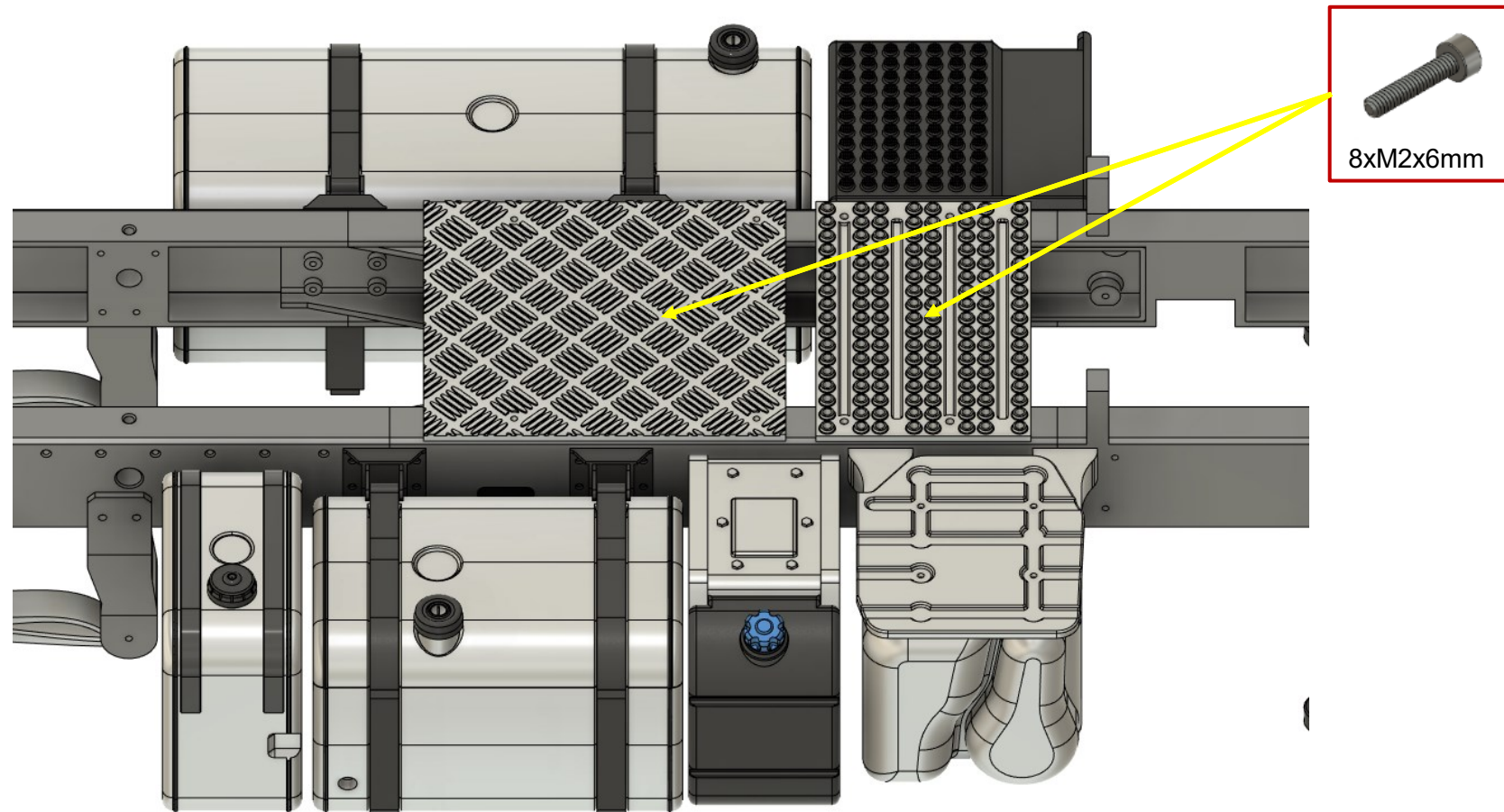


2xM3x16mm

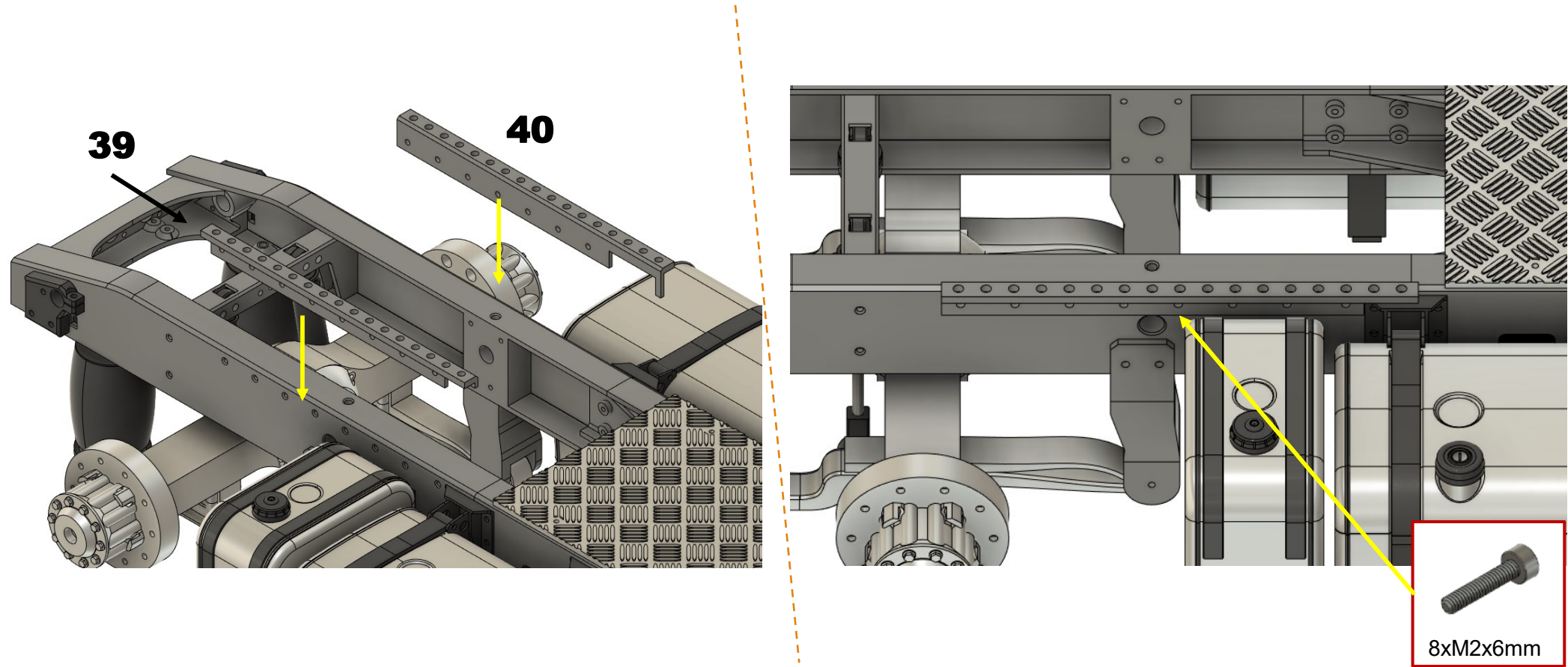
Chassis



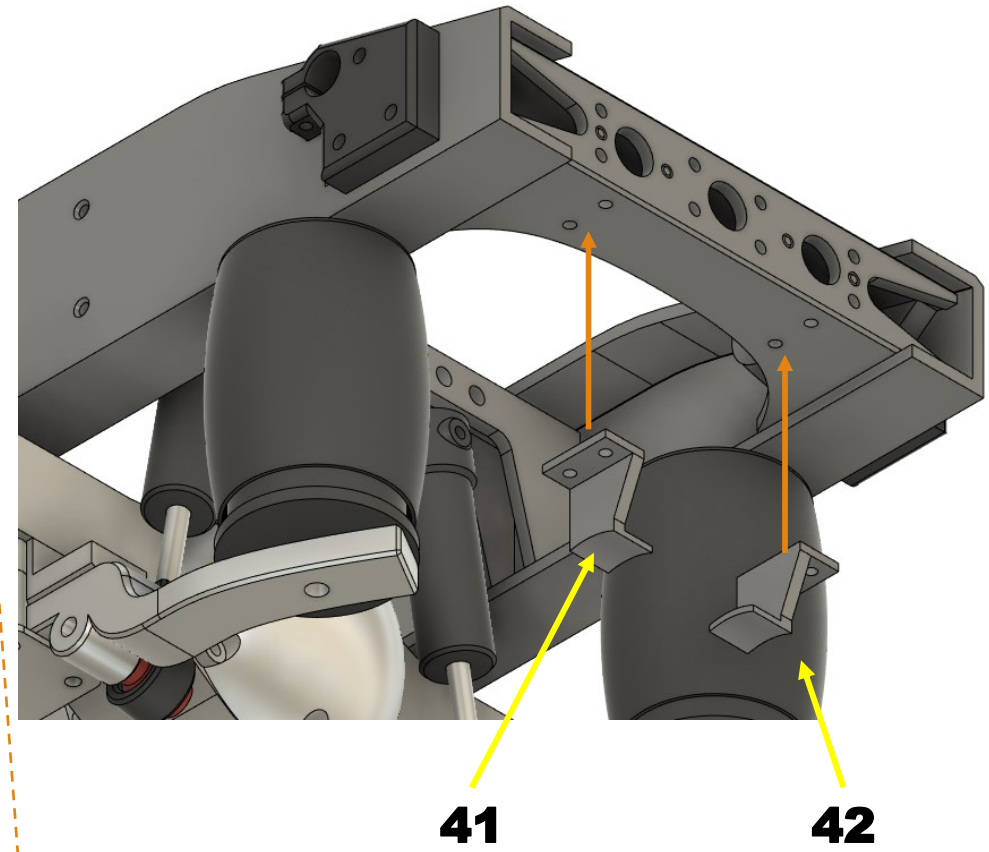
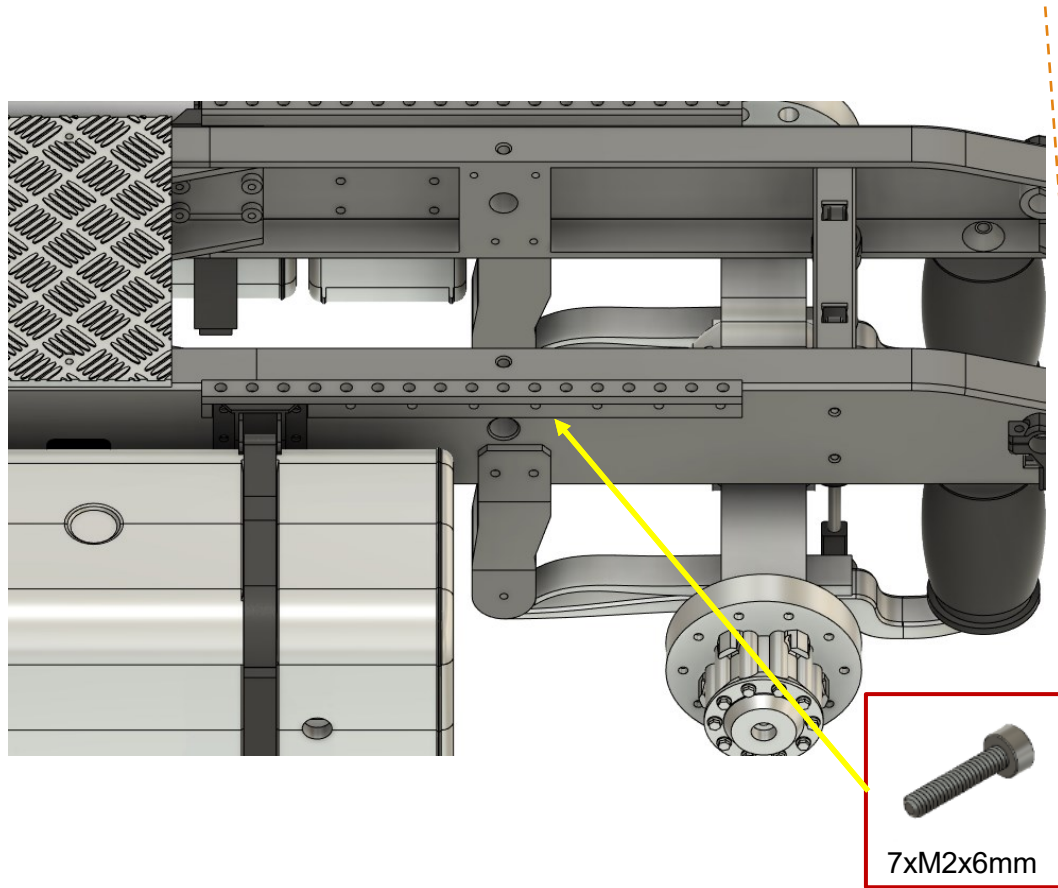
Chassis



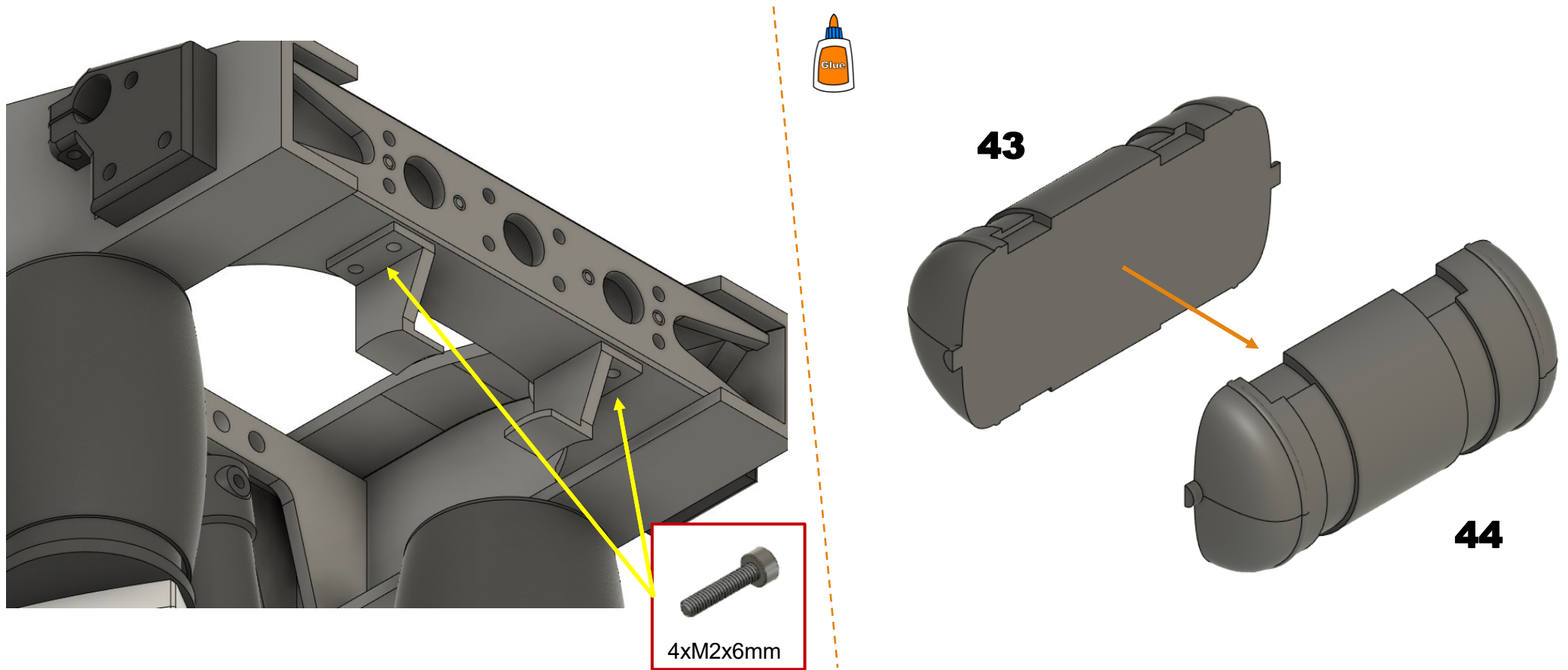
Chassis



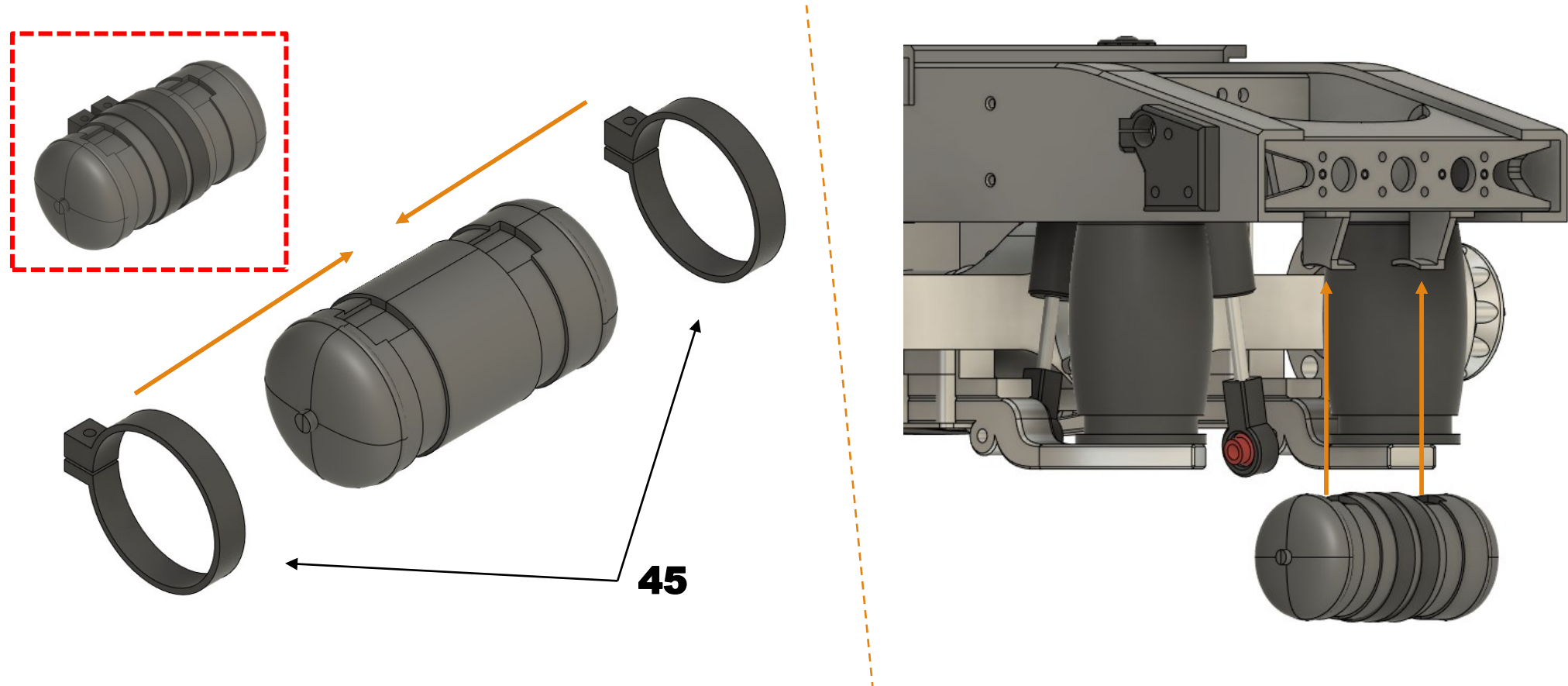
Chassis



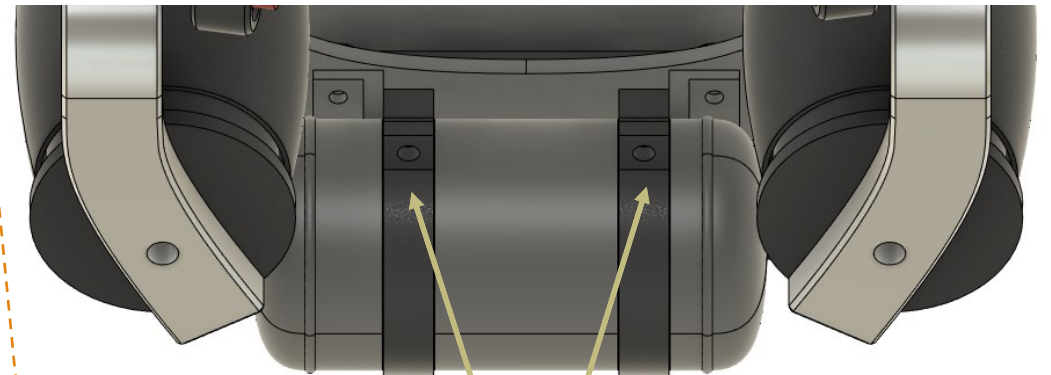
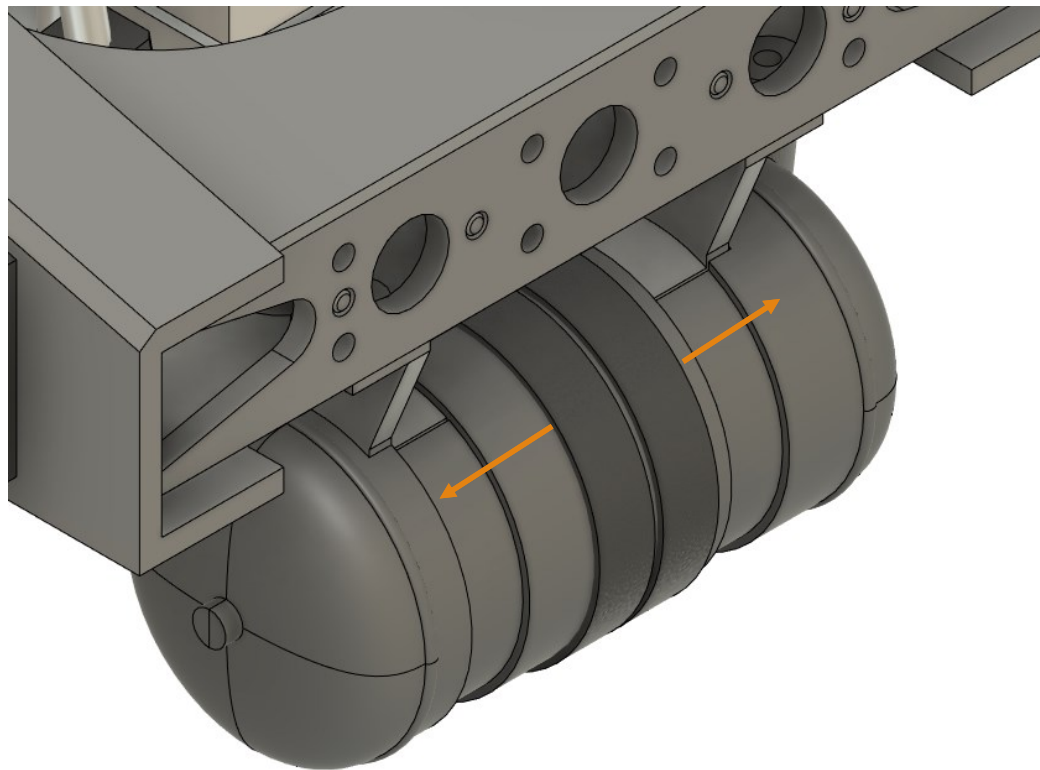
Chassis



Chassis

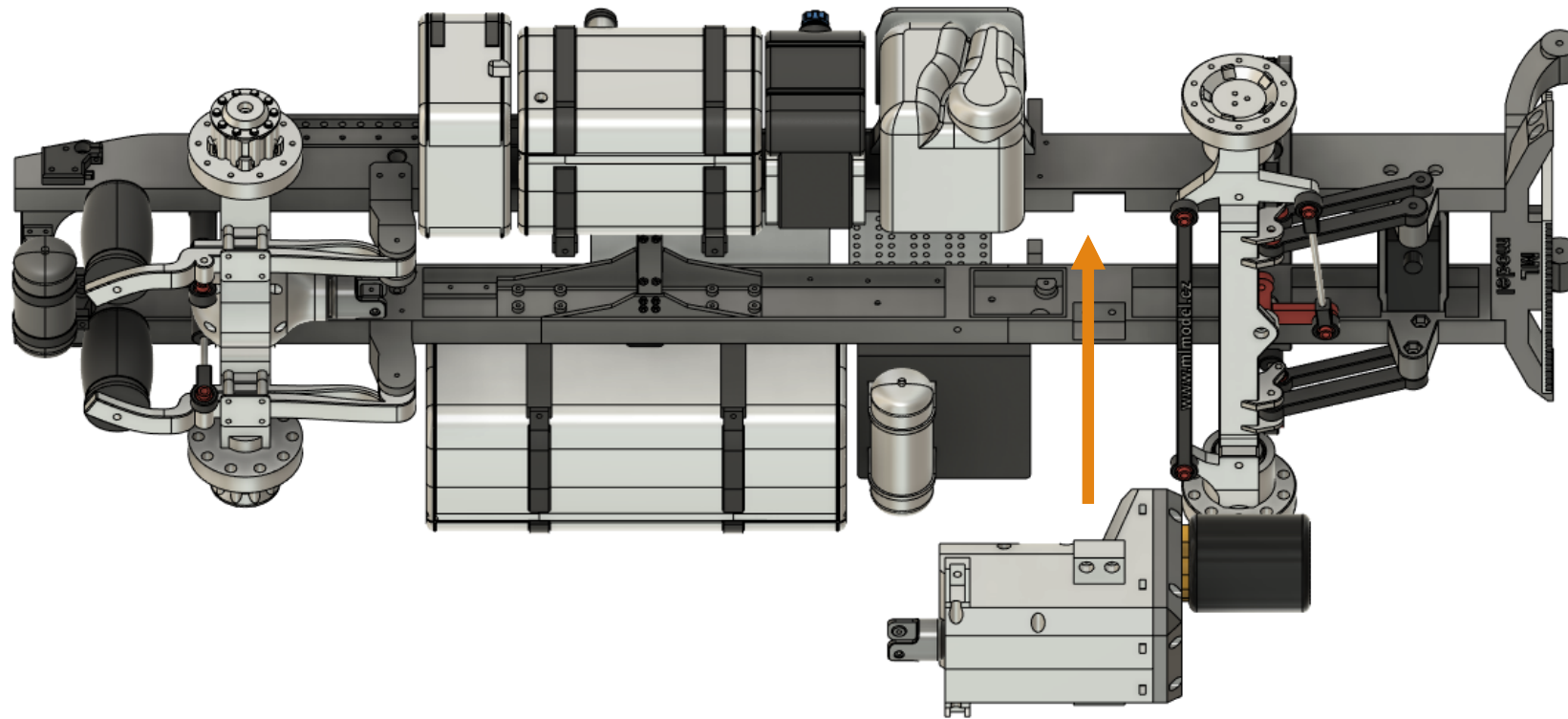


Chassis

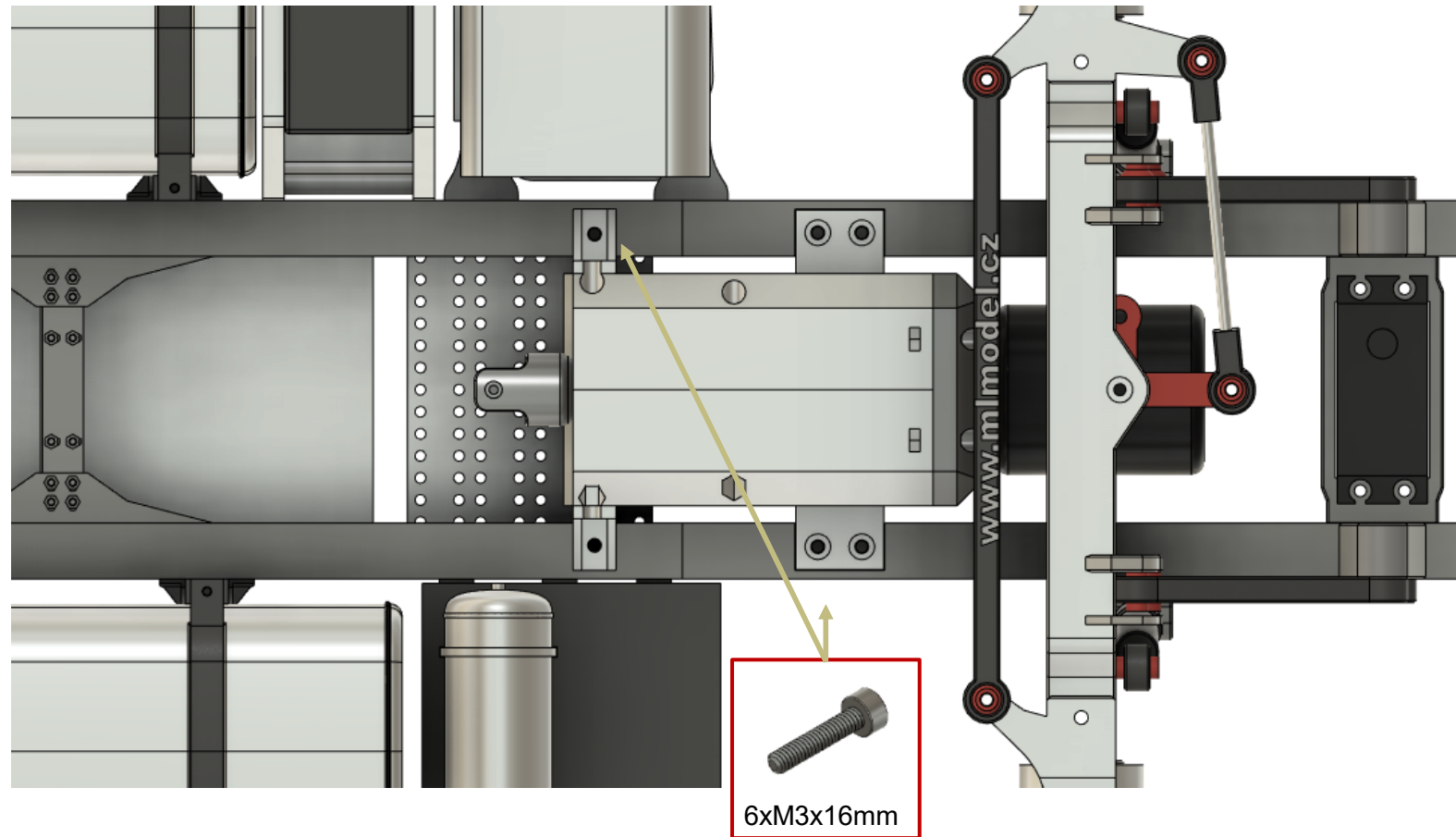


2xM2x8mm

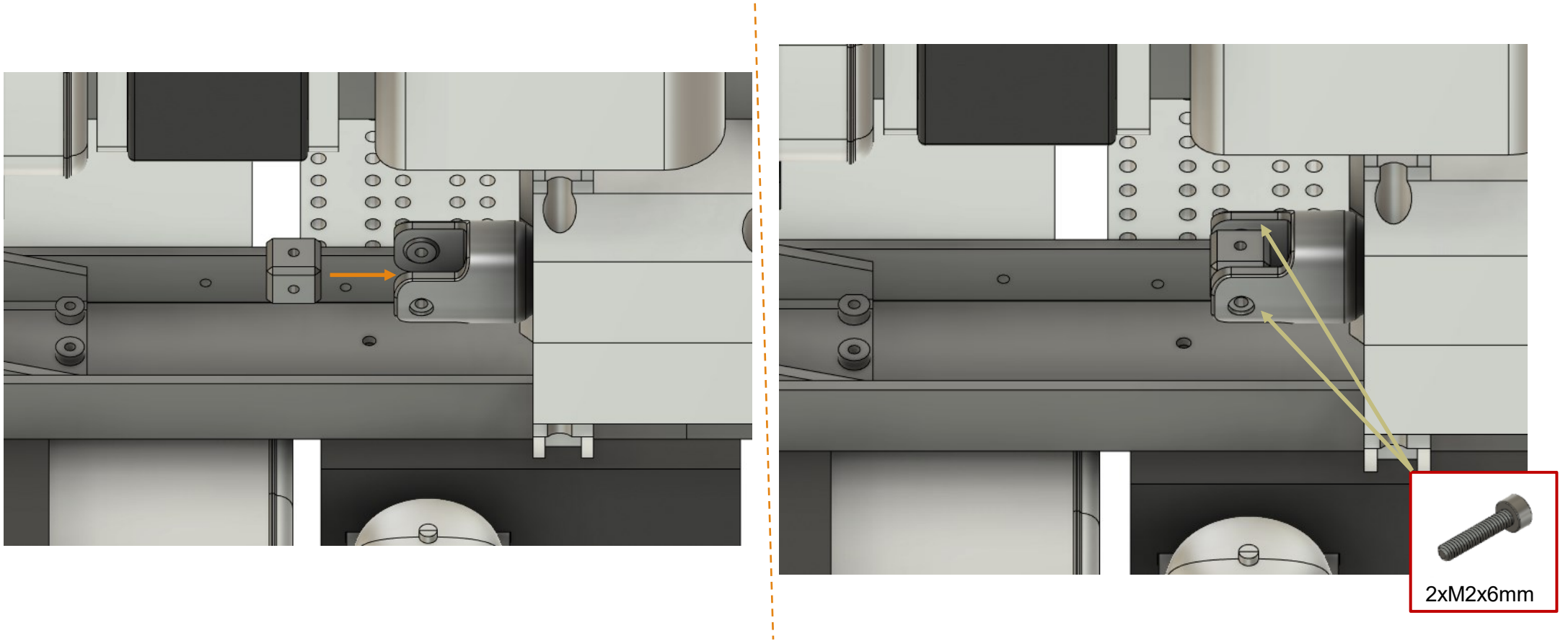
Chassis



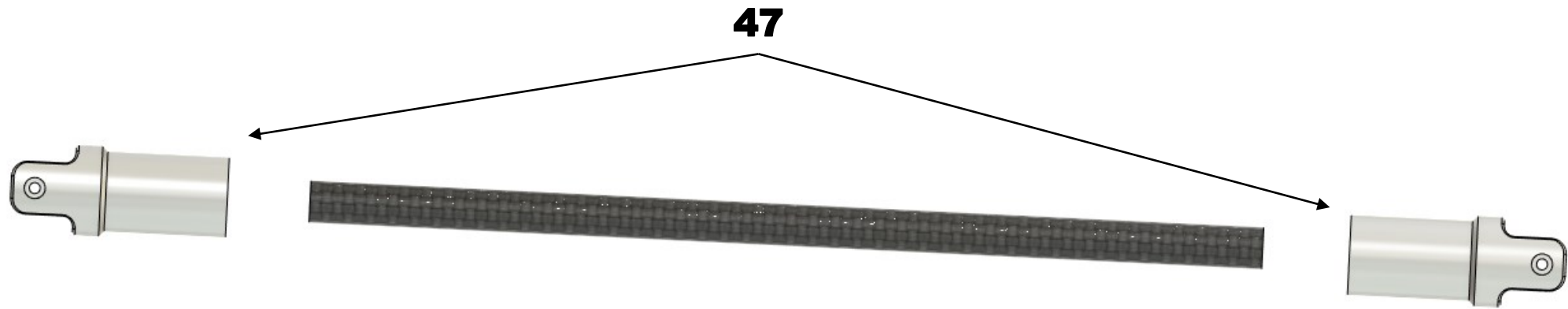
Chassis



Chassis

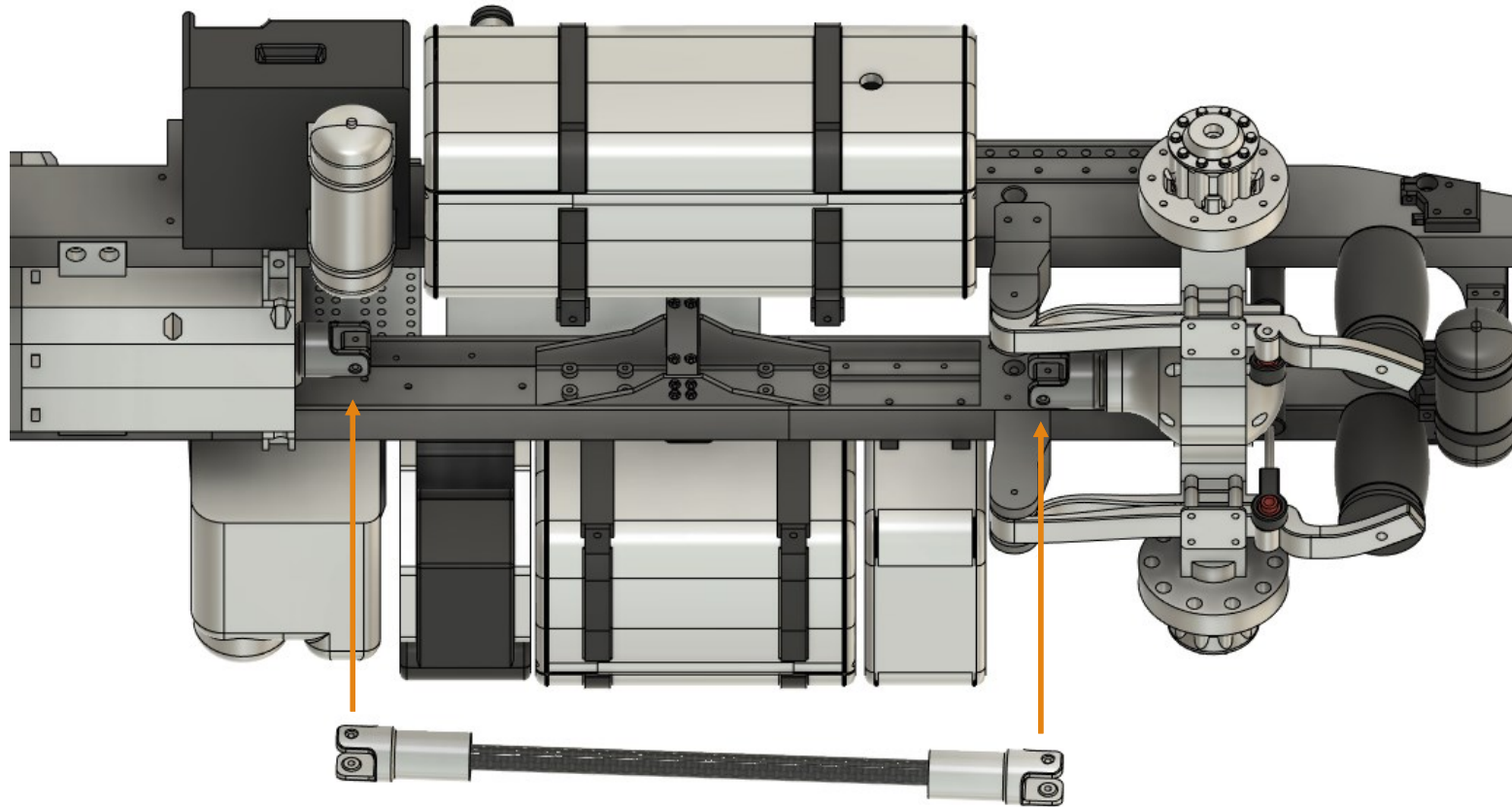


Chassis

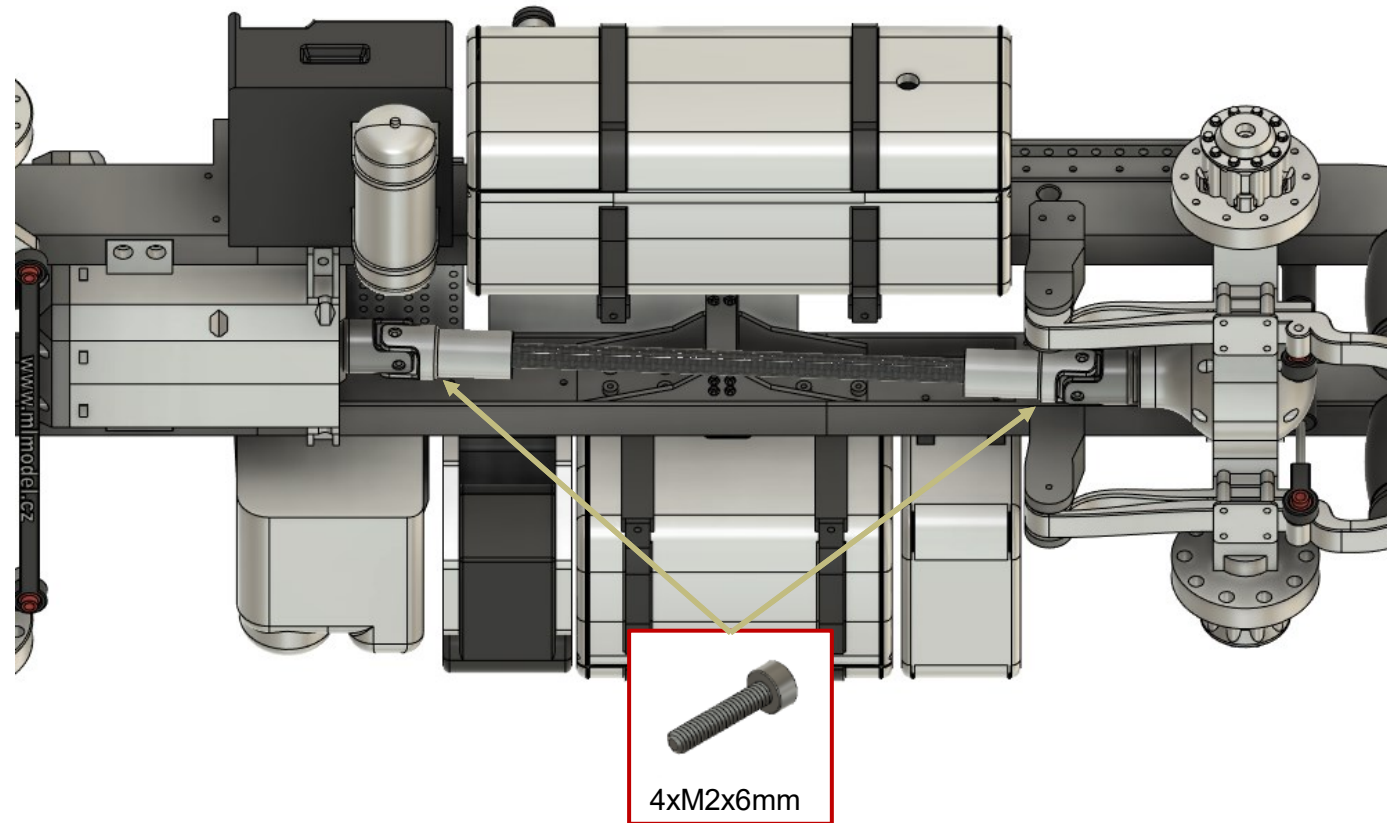


Make a cardan shaft from parts 47 and carbon tubes with a diameter of 8mm x 180.5mm. Before gluing part 47, test the placement, when you are sure of the length, glue the parts. Before gluing, it is a good idea to roughen the glued ends of the tube with sandpaper.

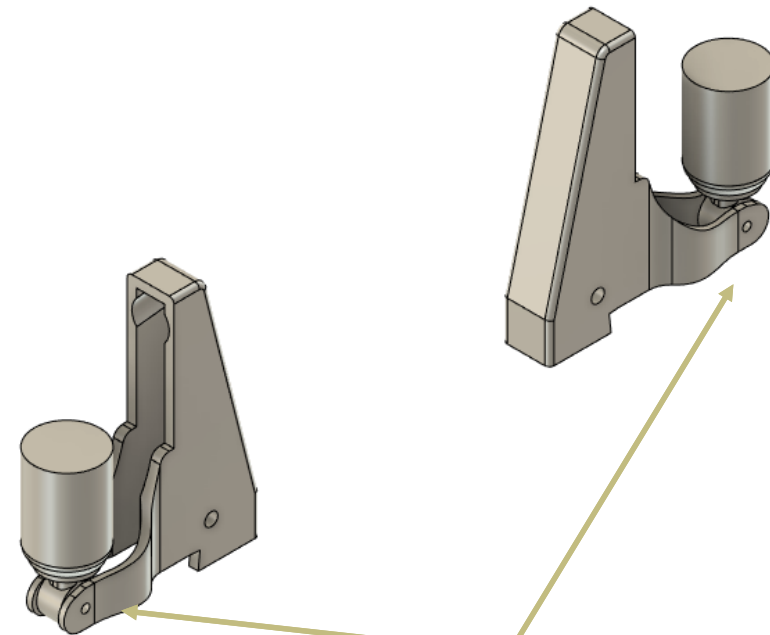
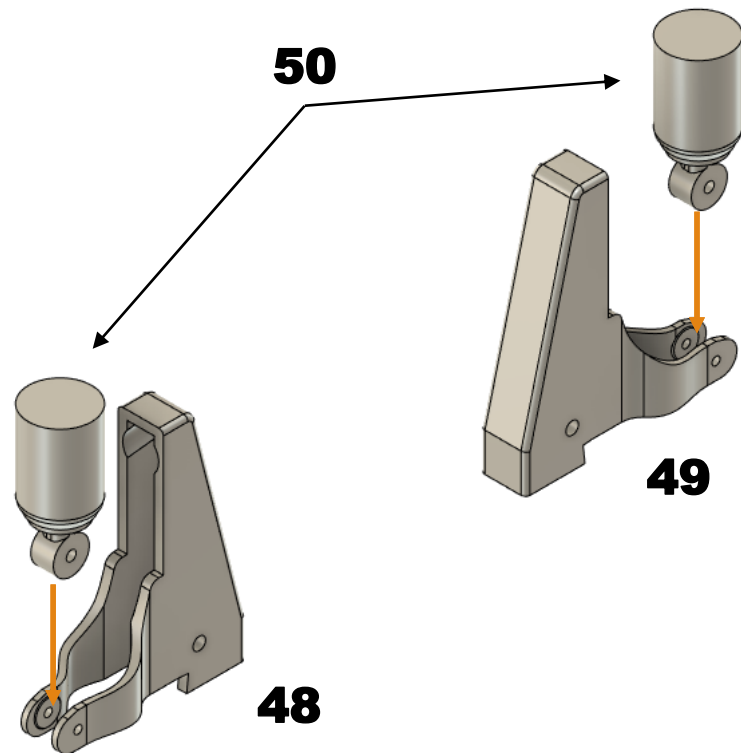
Chassis



Chassis



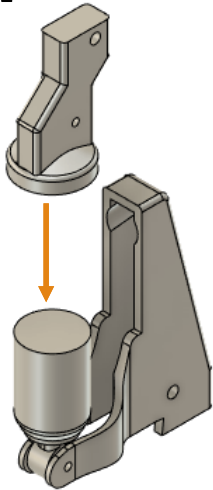
Chassis



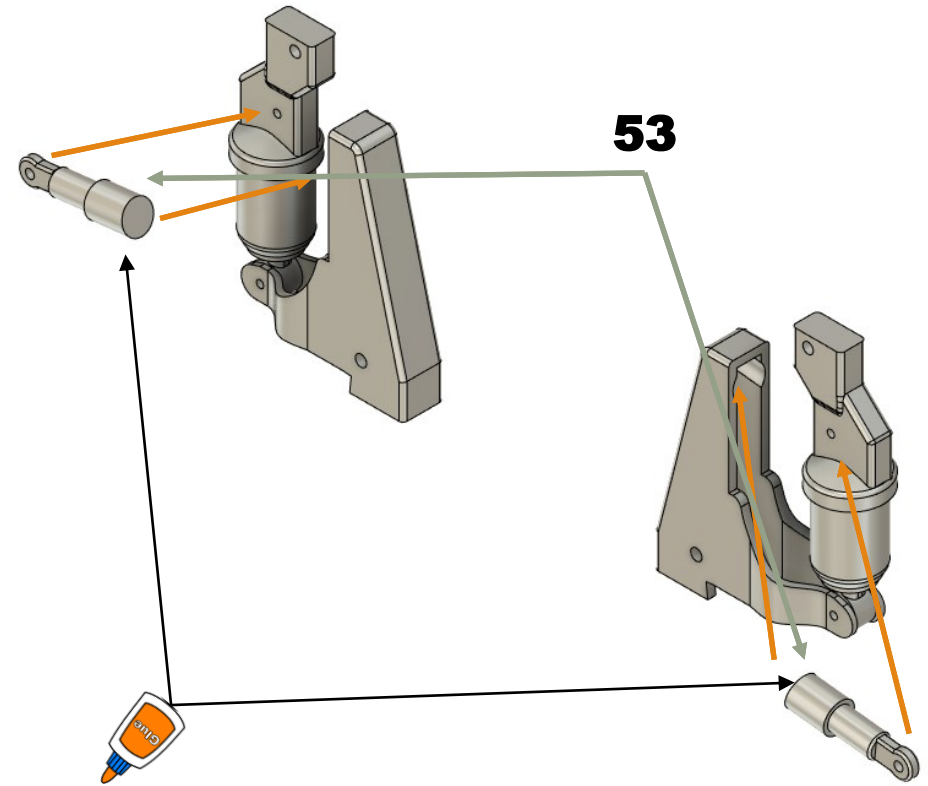
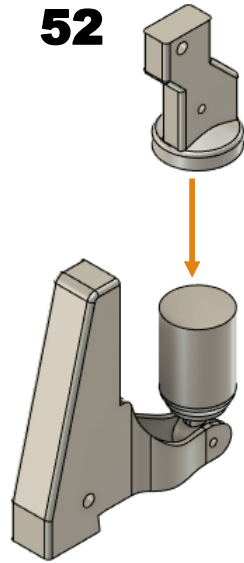
Chassis



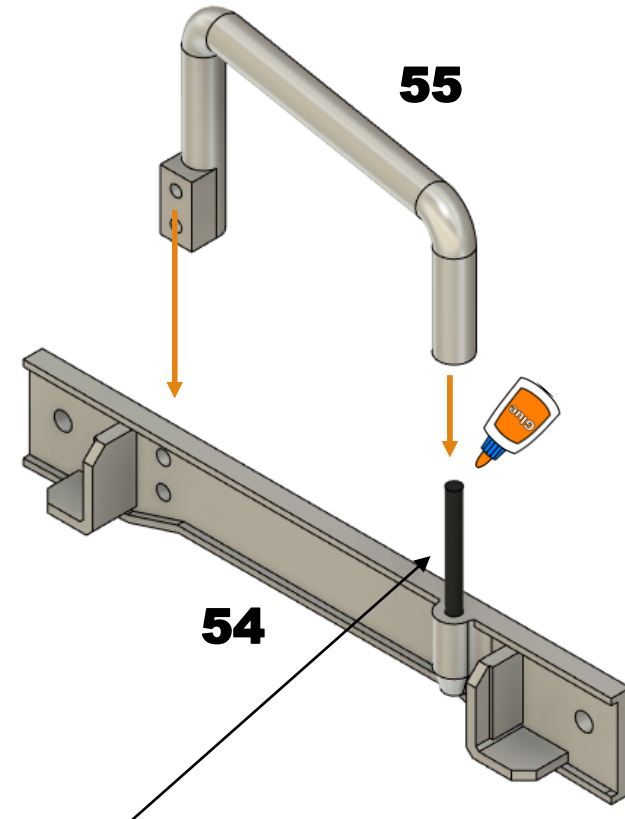
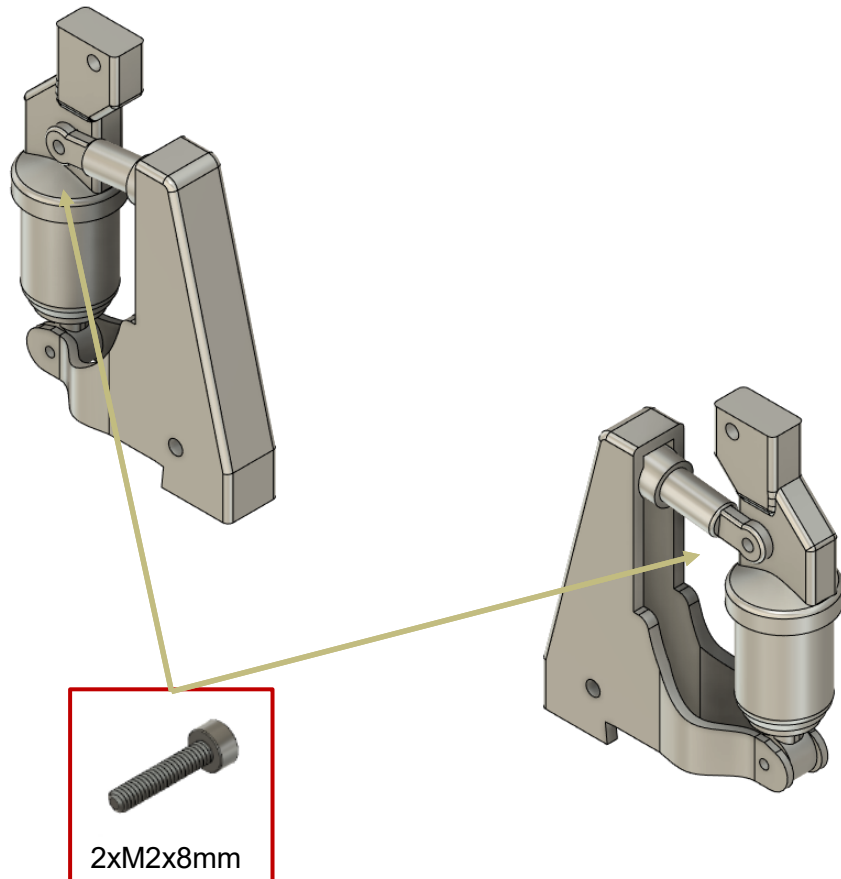
51



52

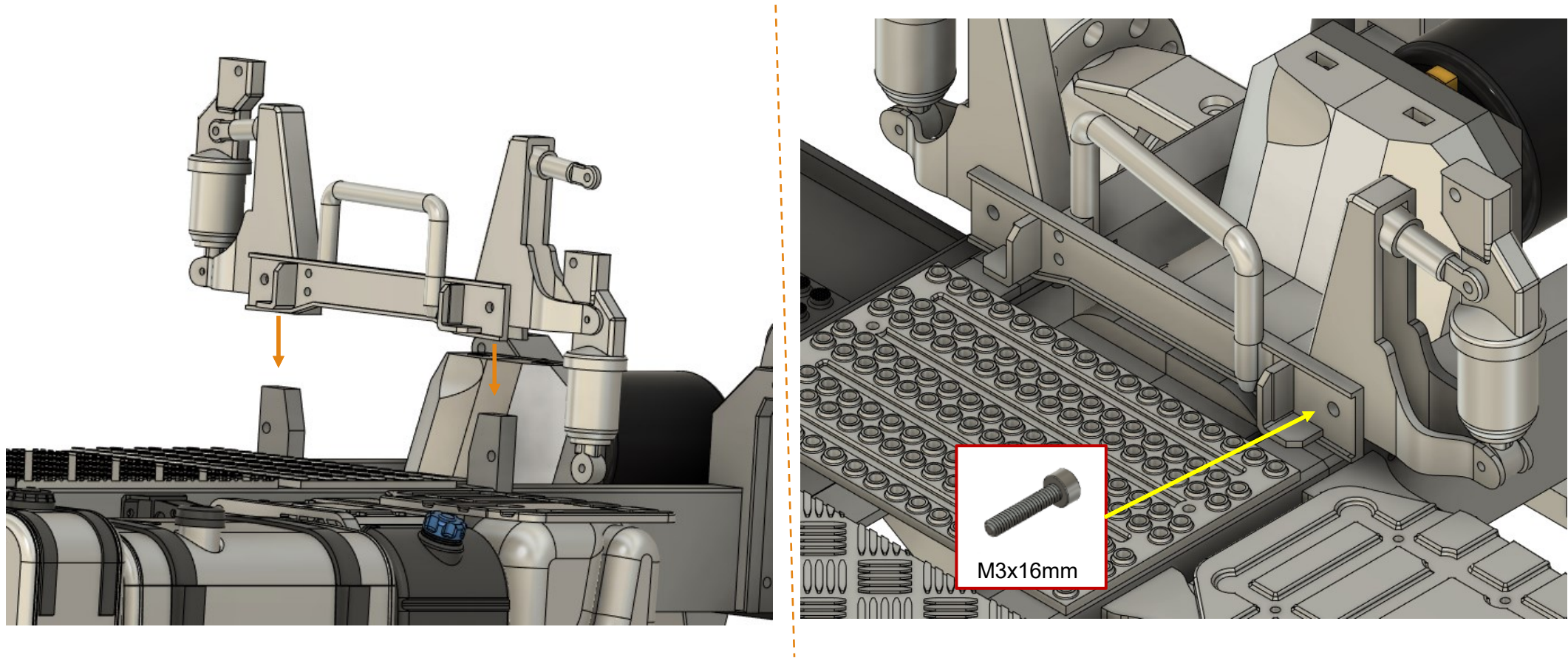


Chassis

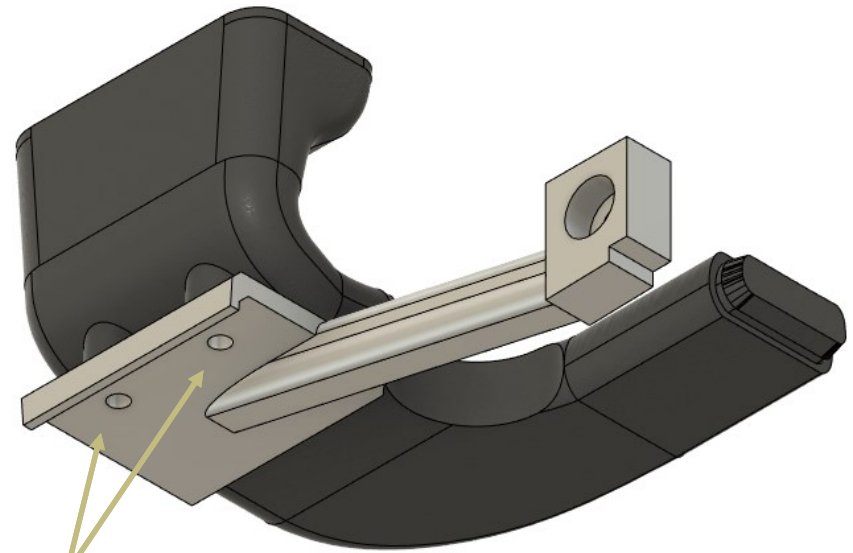
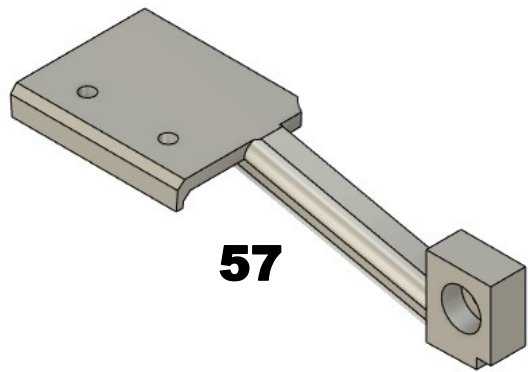
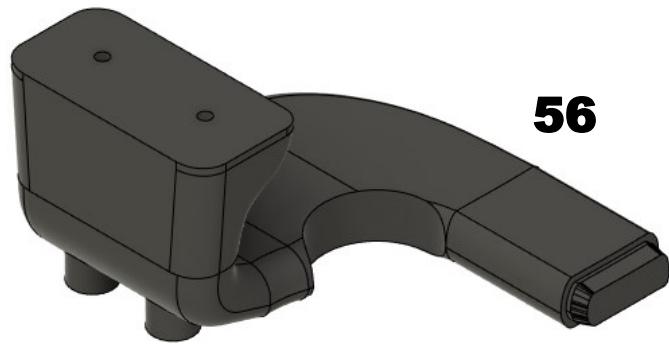


Glue a 54 piece of filament into the part for strengthening.

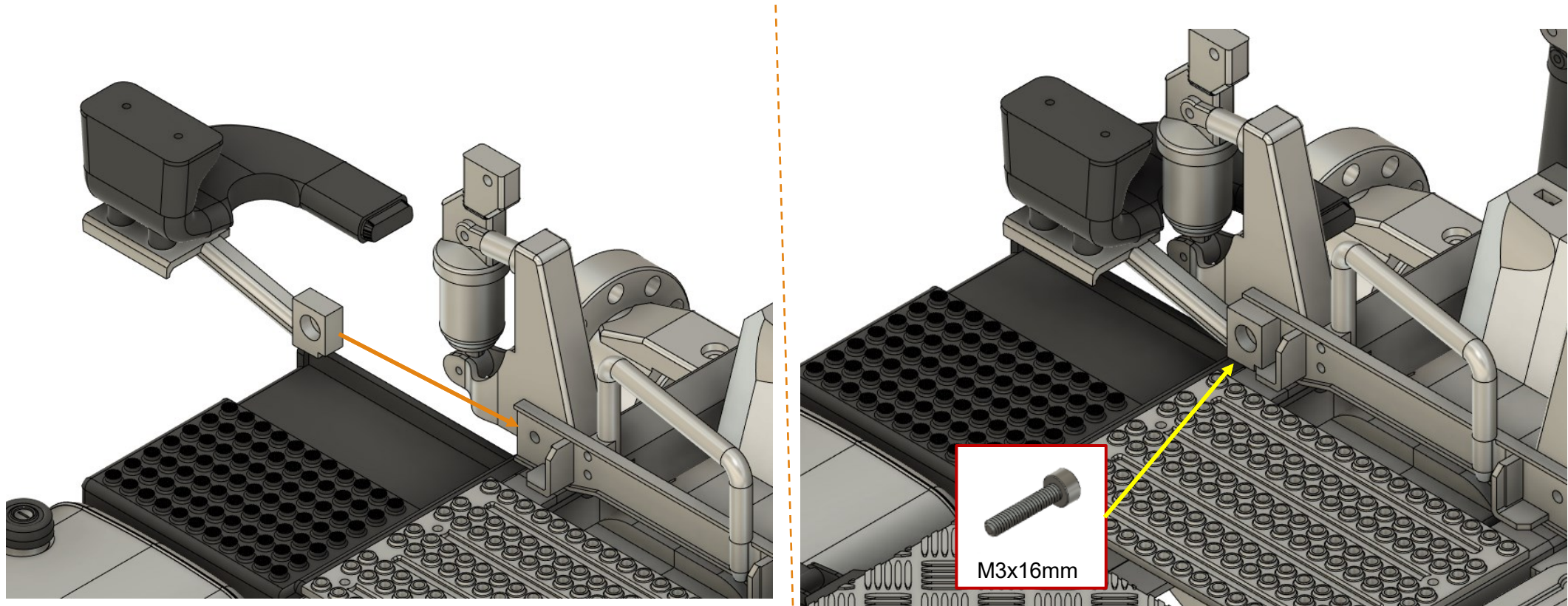
Chassis



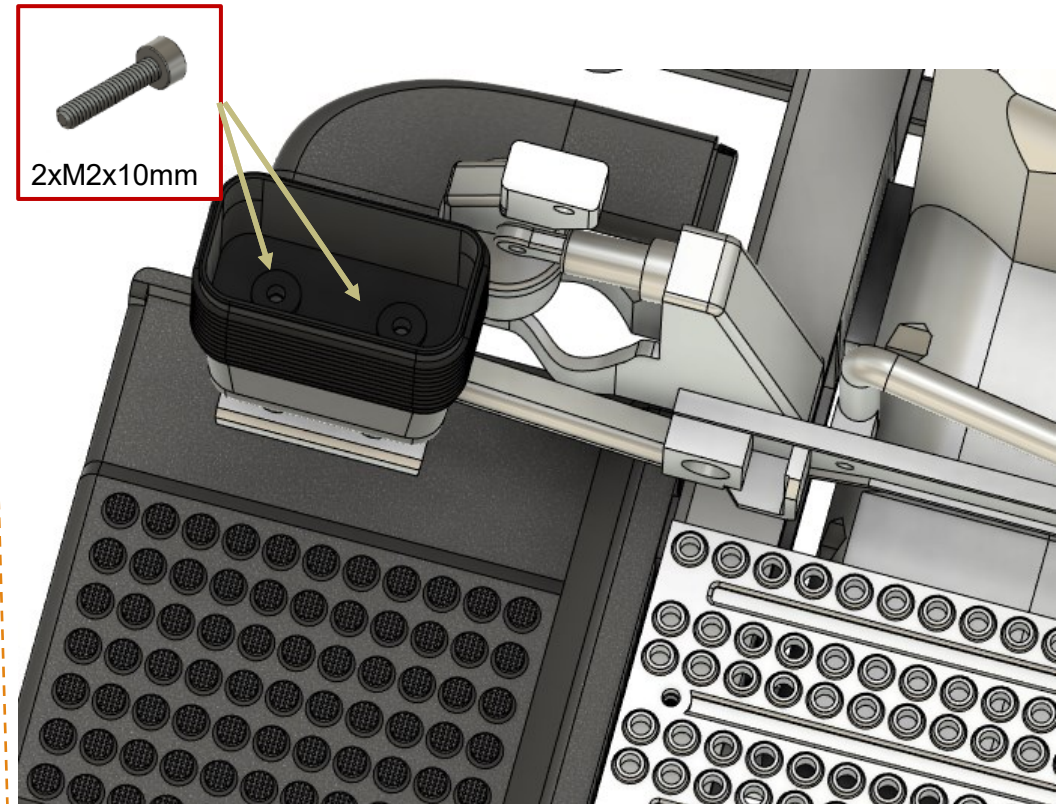
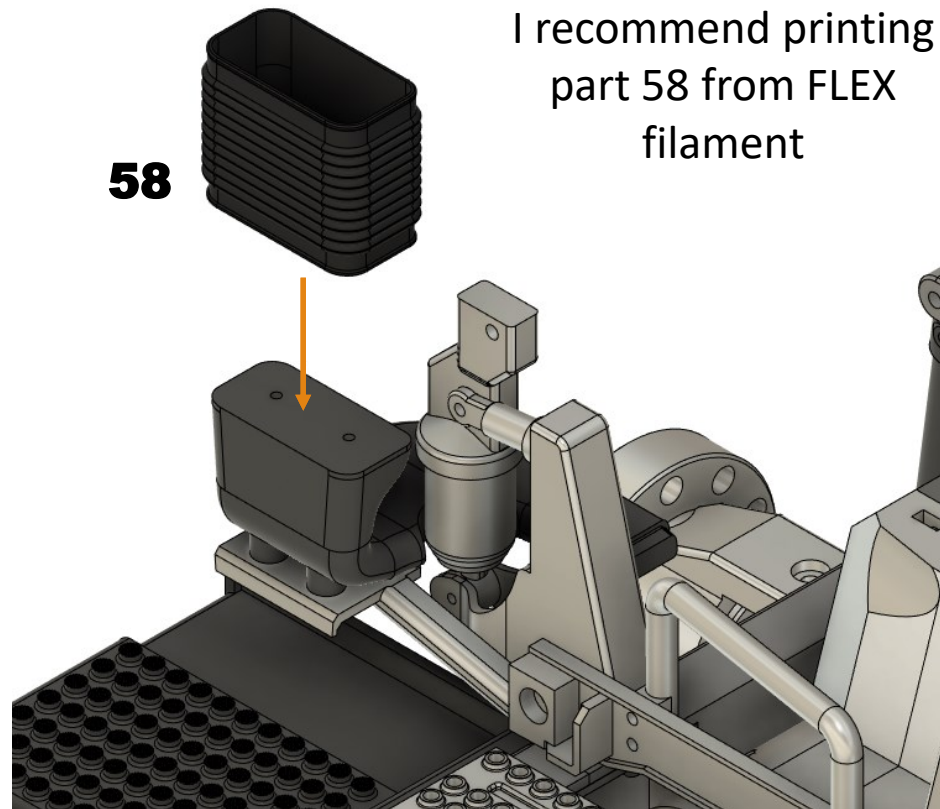
Chassis



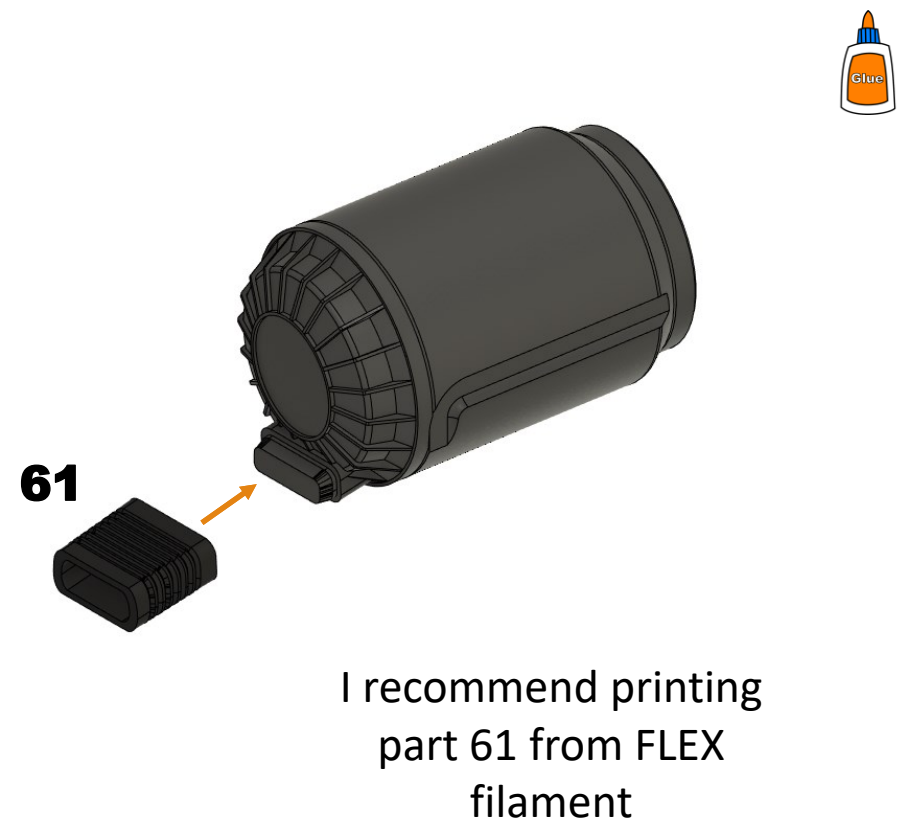
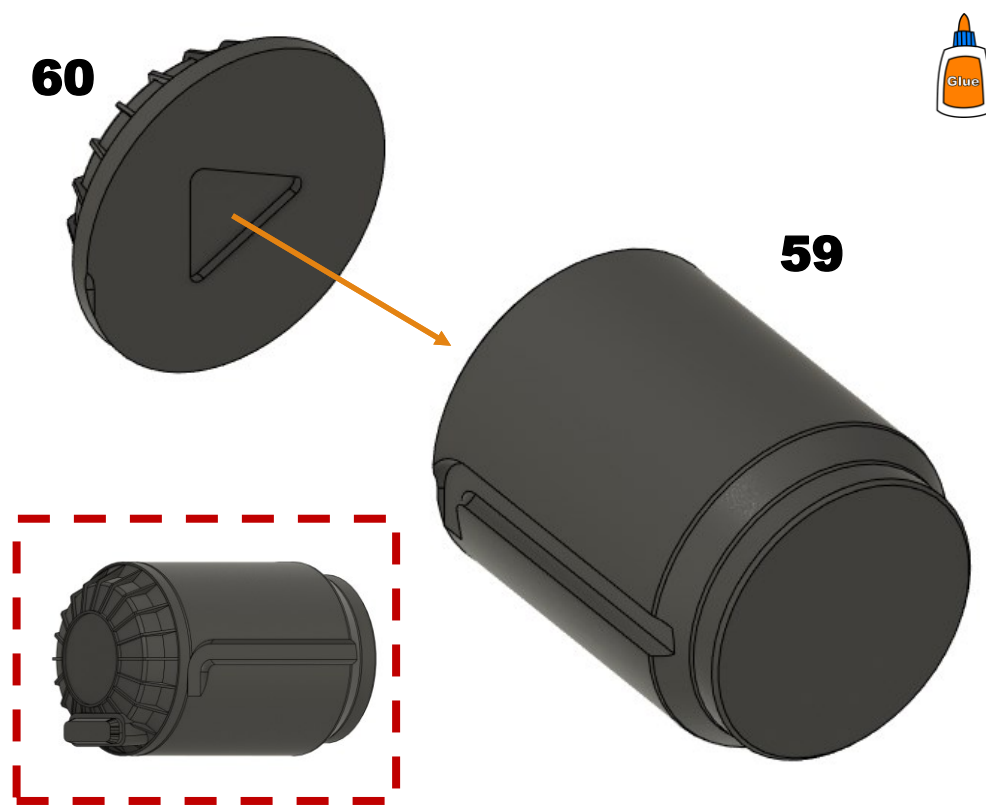
Chassis



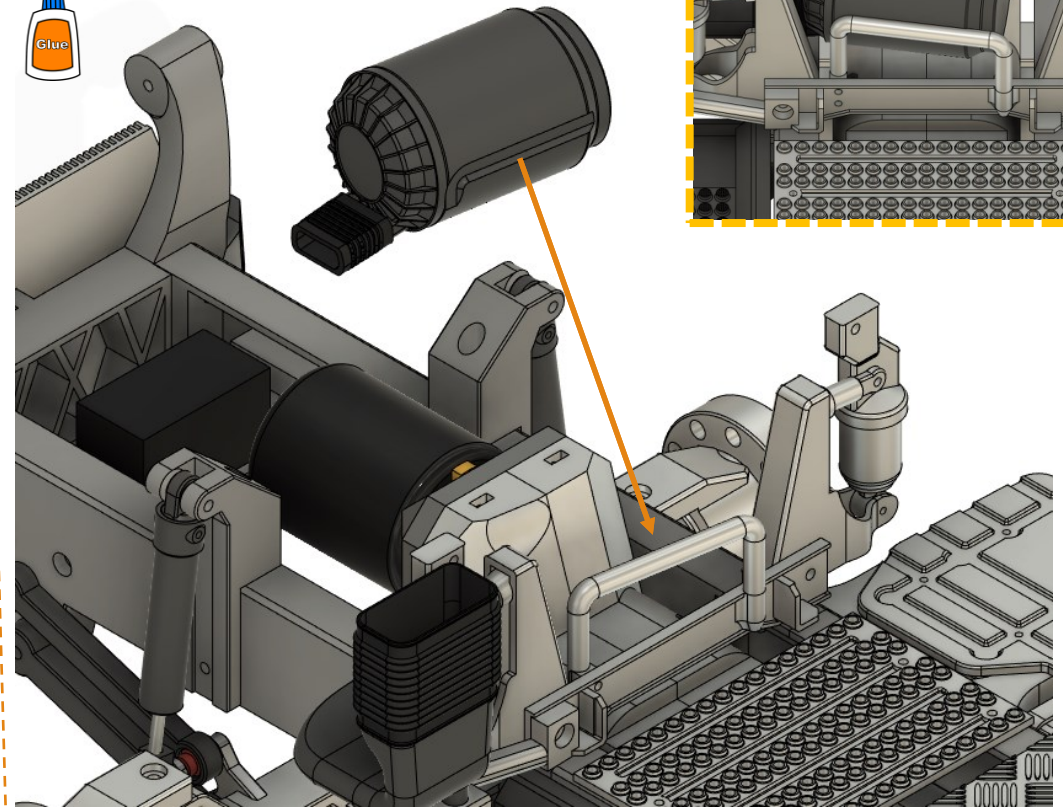
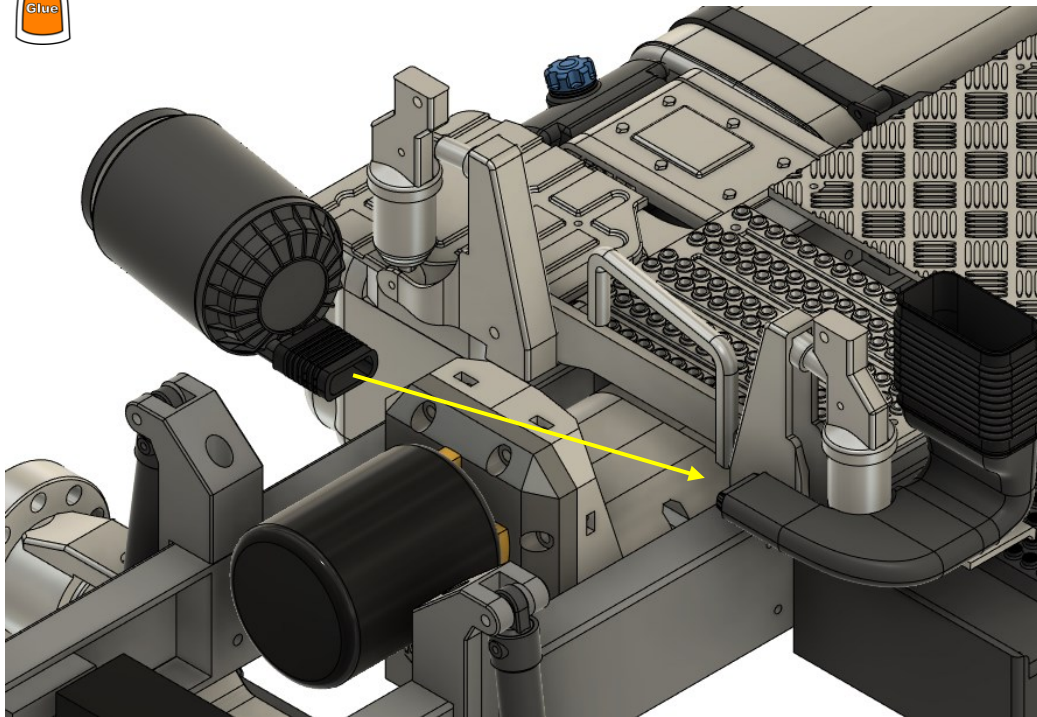
Chassis



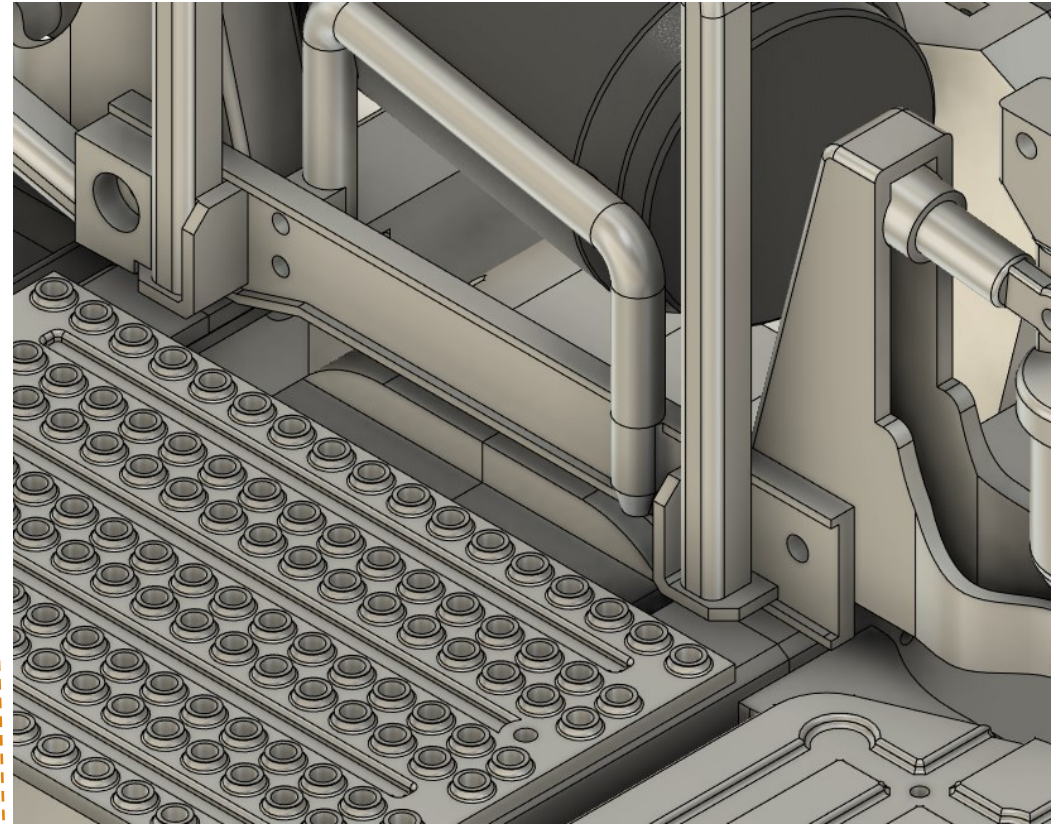
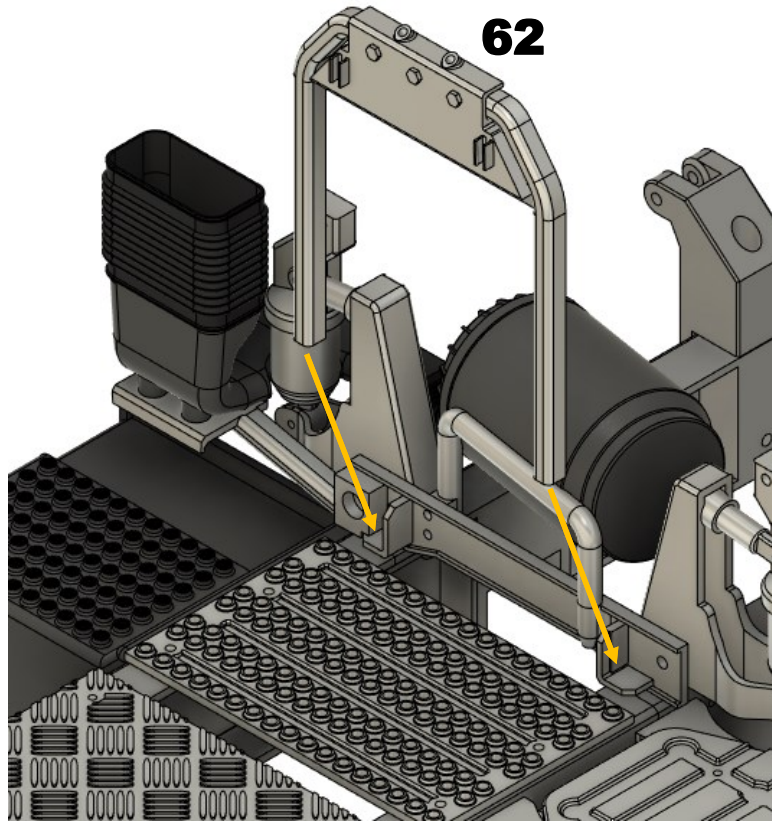
Chassis



Chassis



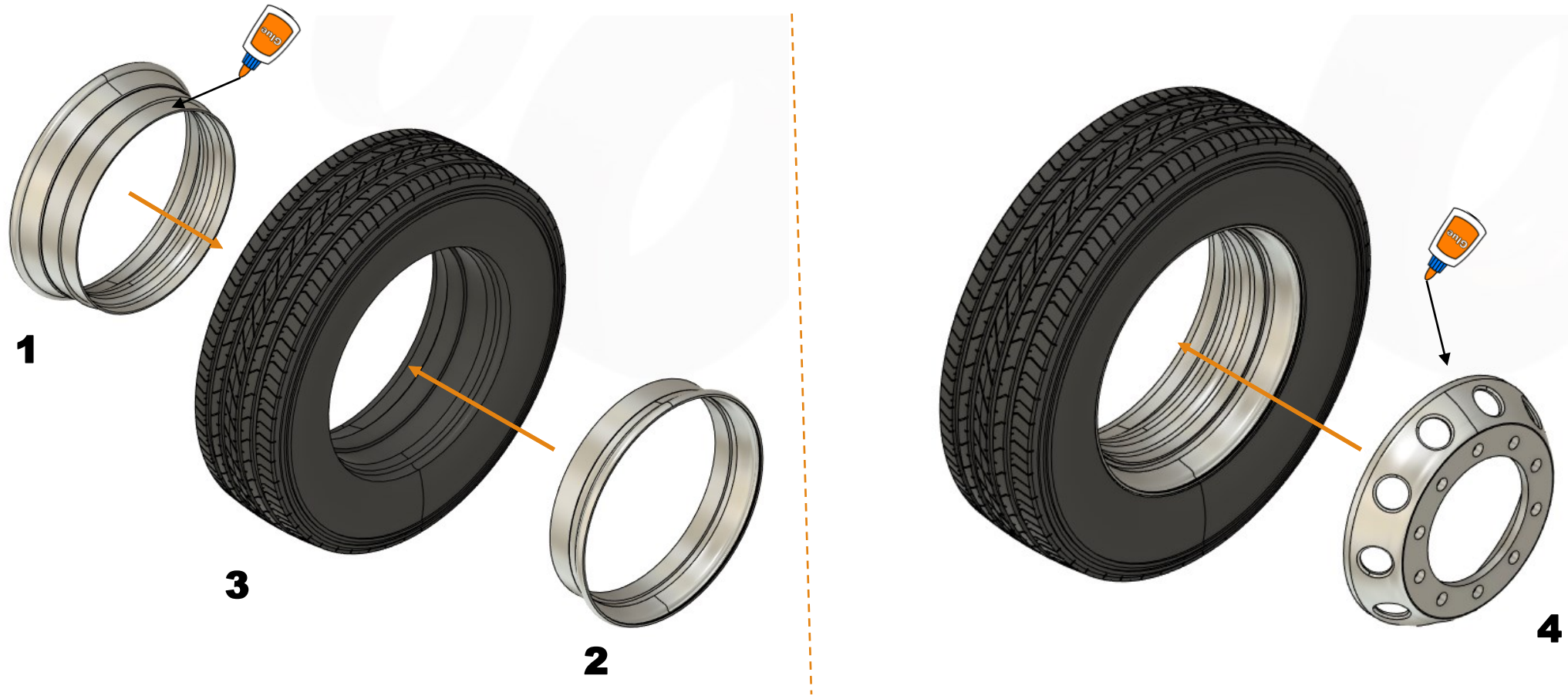
Chassis





Wheels

Wheels

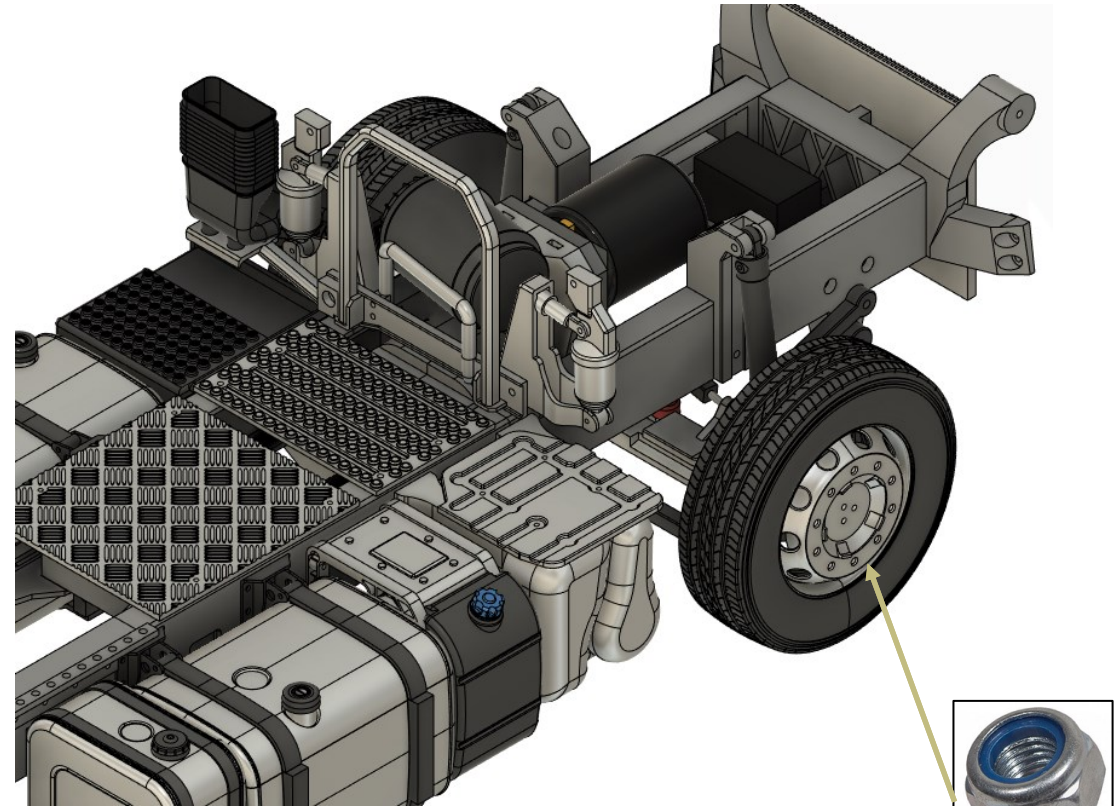
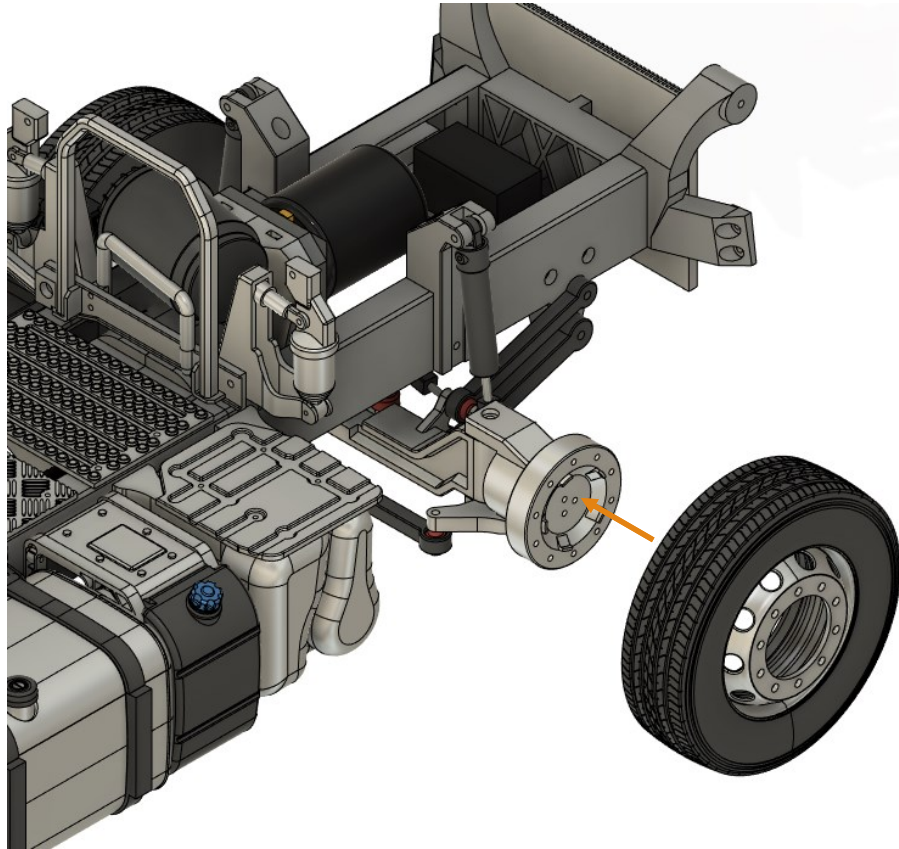


Wheels



Wheels

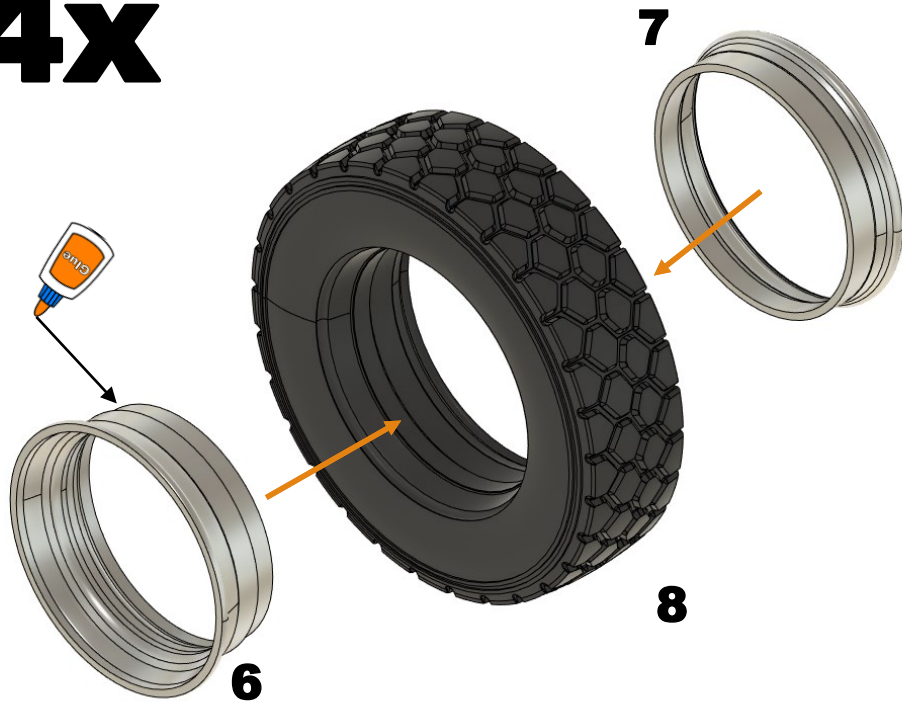
Same procedure for both sides



20xM2.5

Wheels

4x

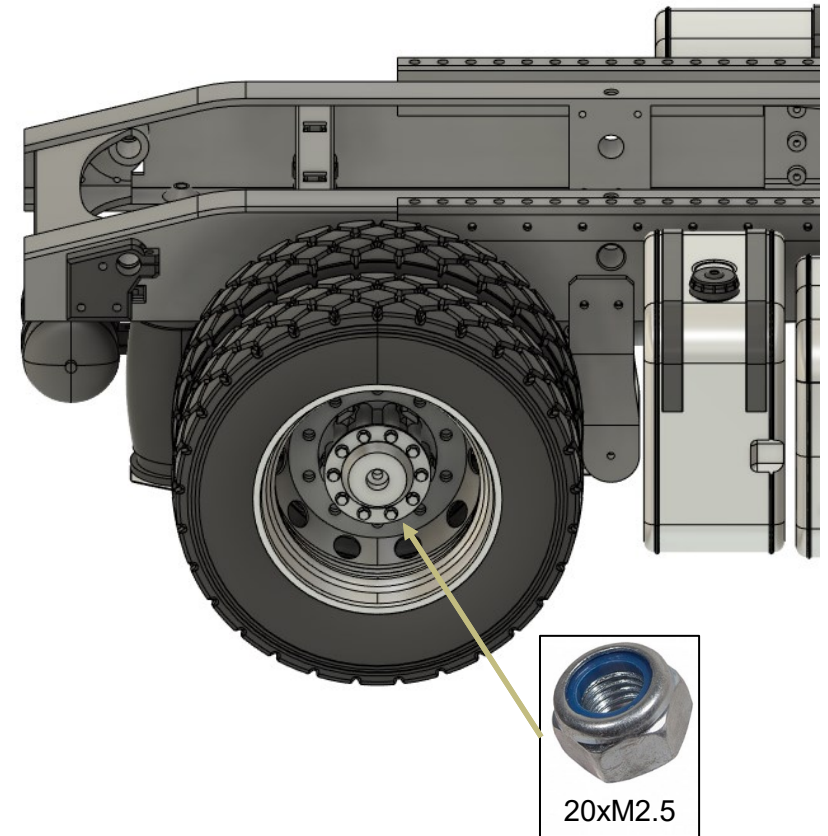
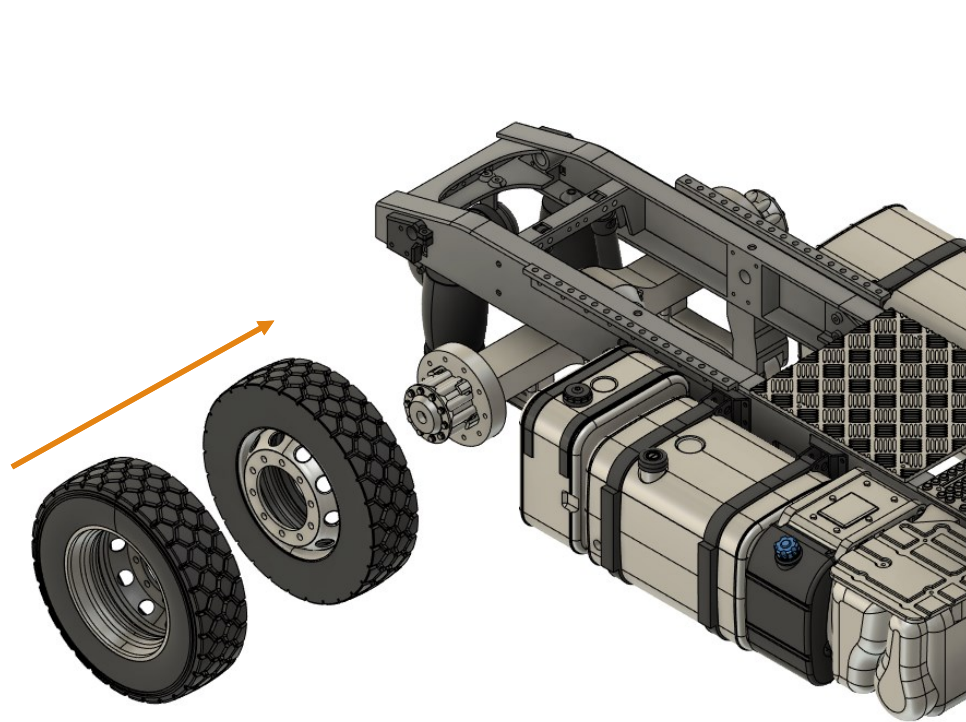


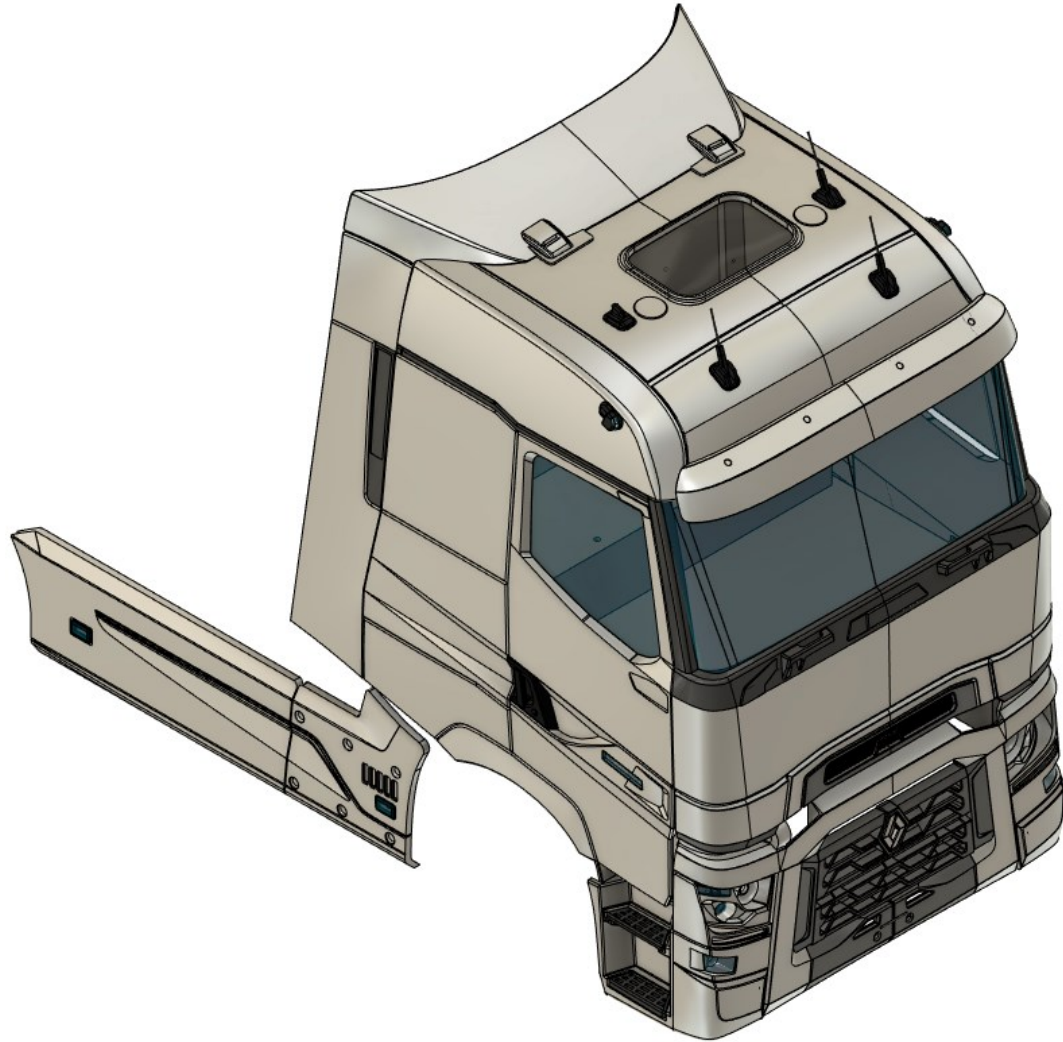
4x



Wheels

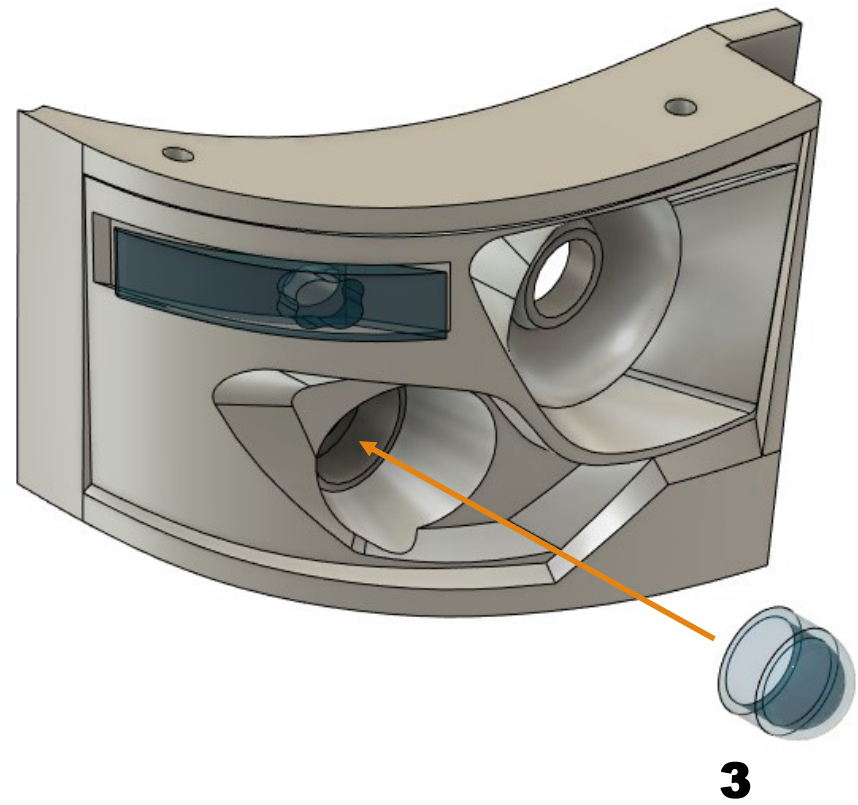
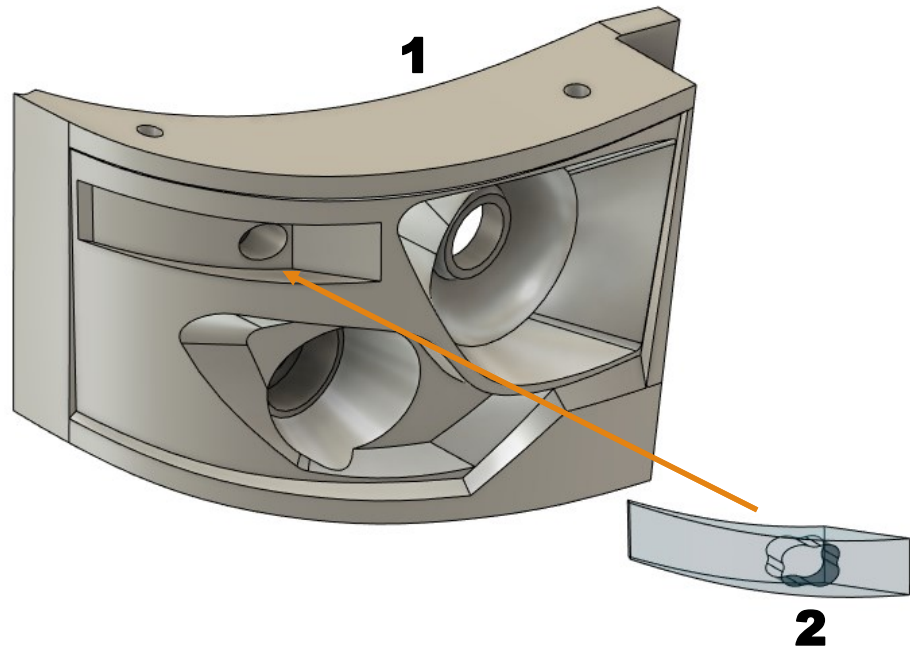
Same procedure for both sides



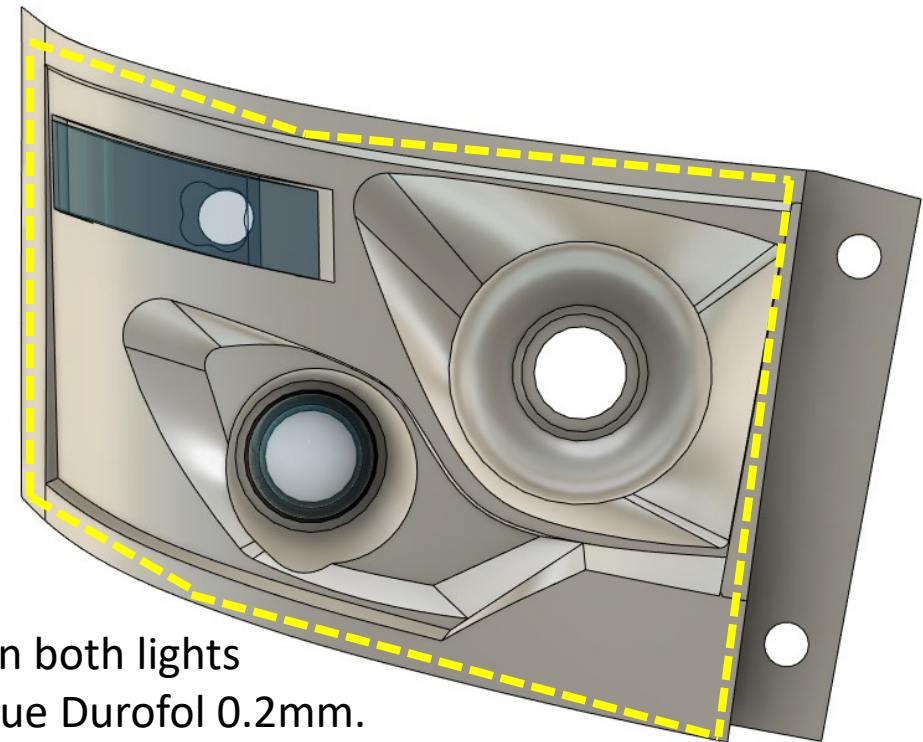
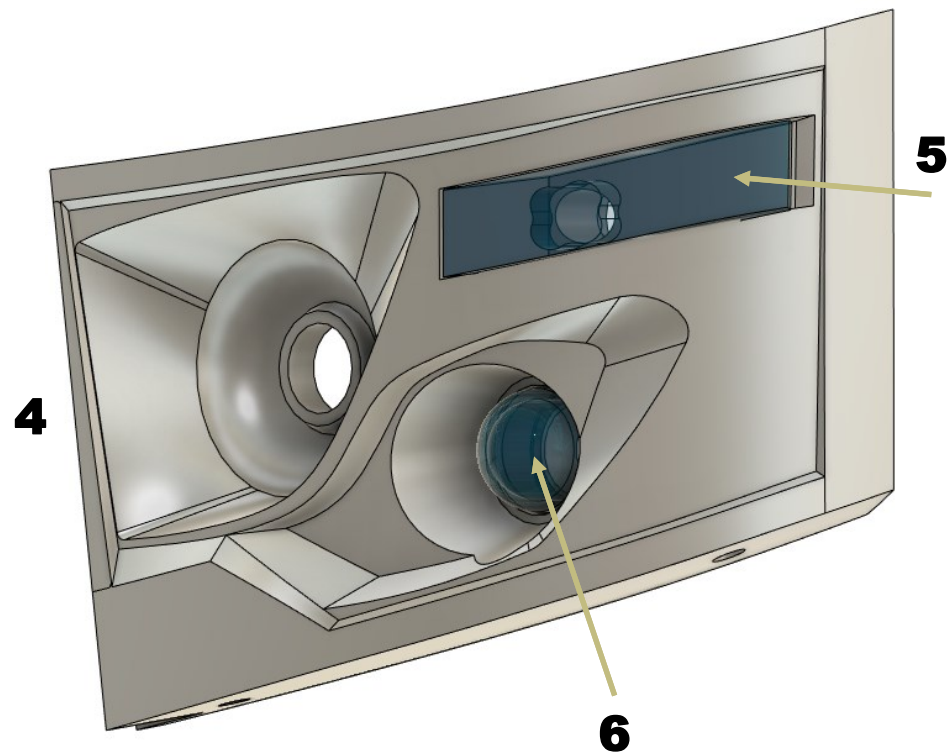


Cabin

Cabin

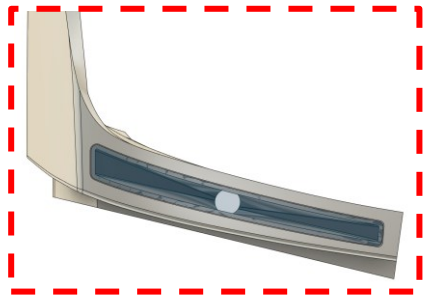


Cabin

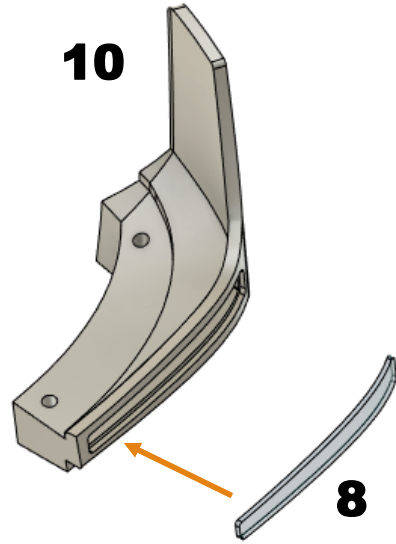


On both lights
glue Durofol 0.2mm.
Apply the glue to the marked areas, apply Durofol
and use the activator.

Cabin

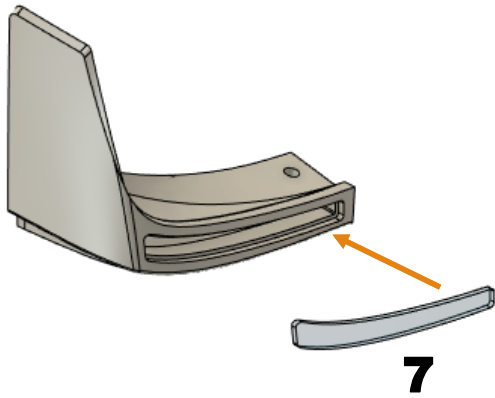


10

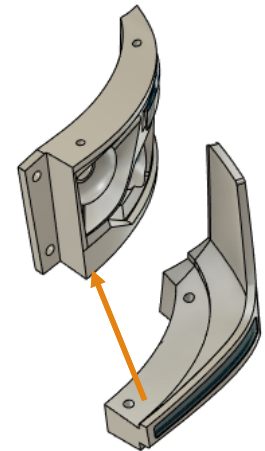
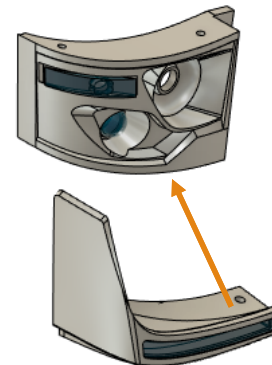
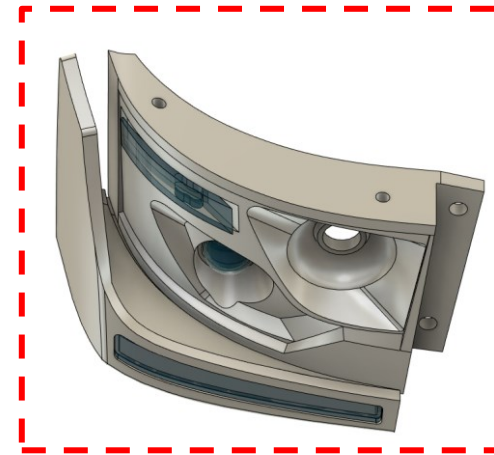


8

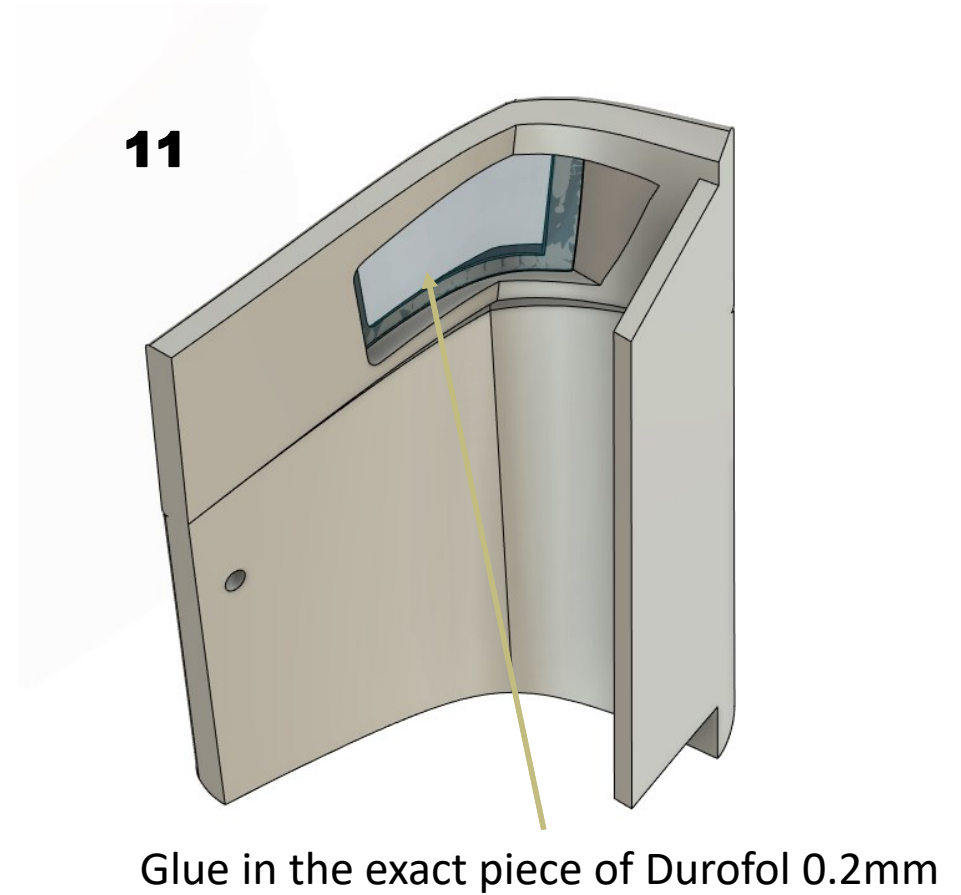
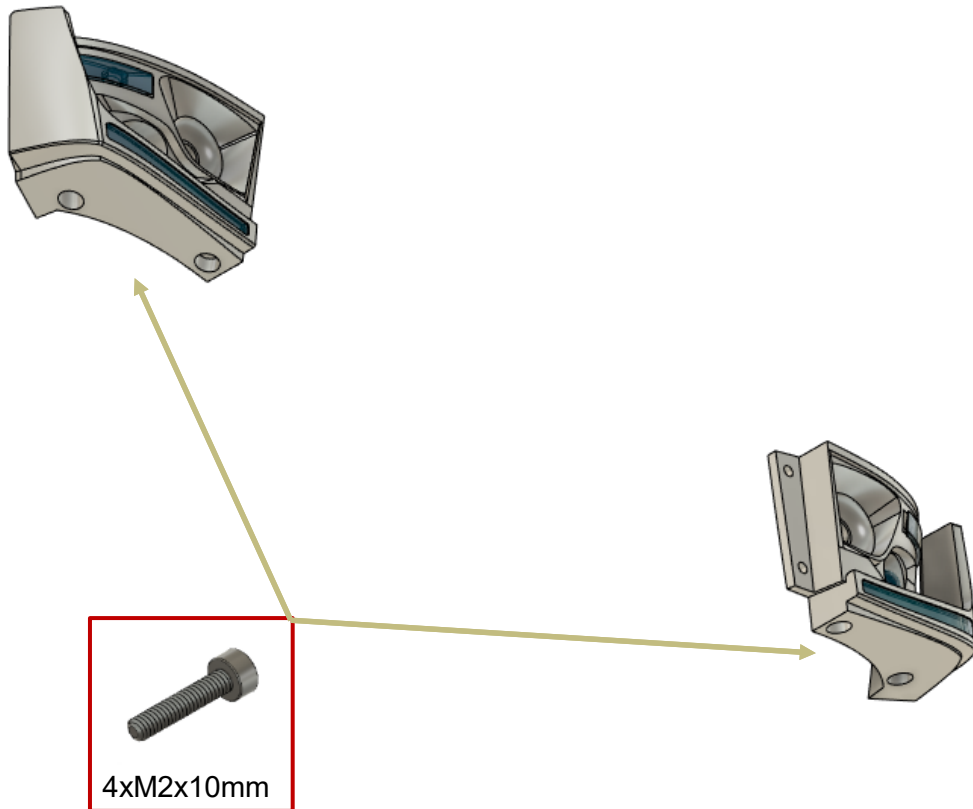
9



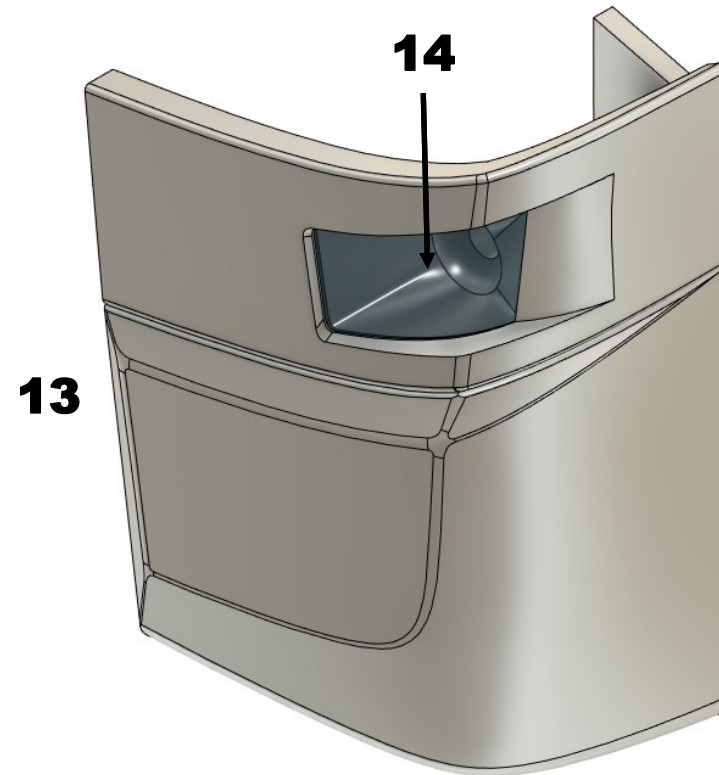
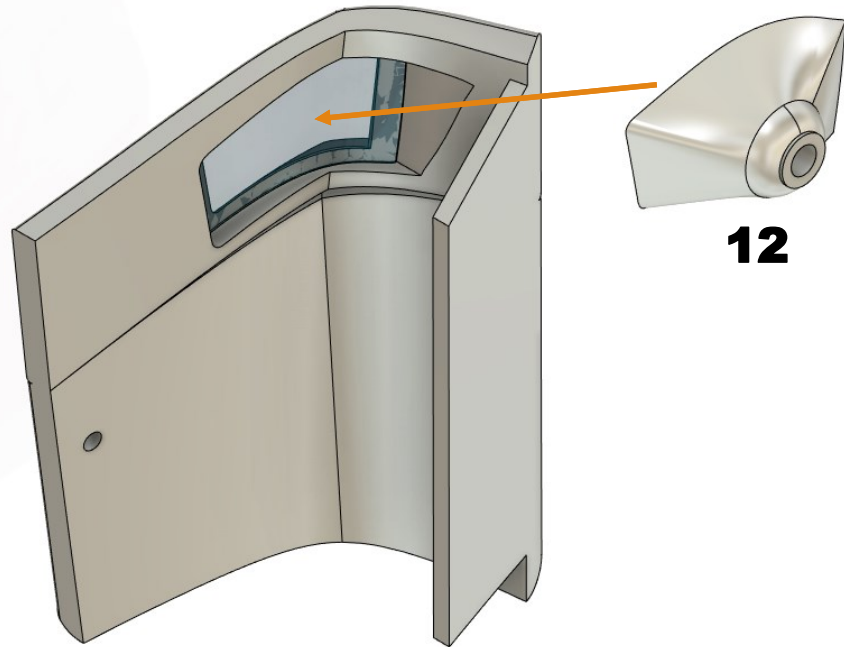
7



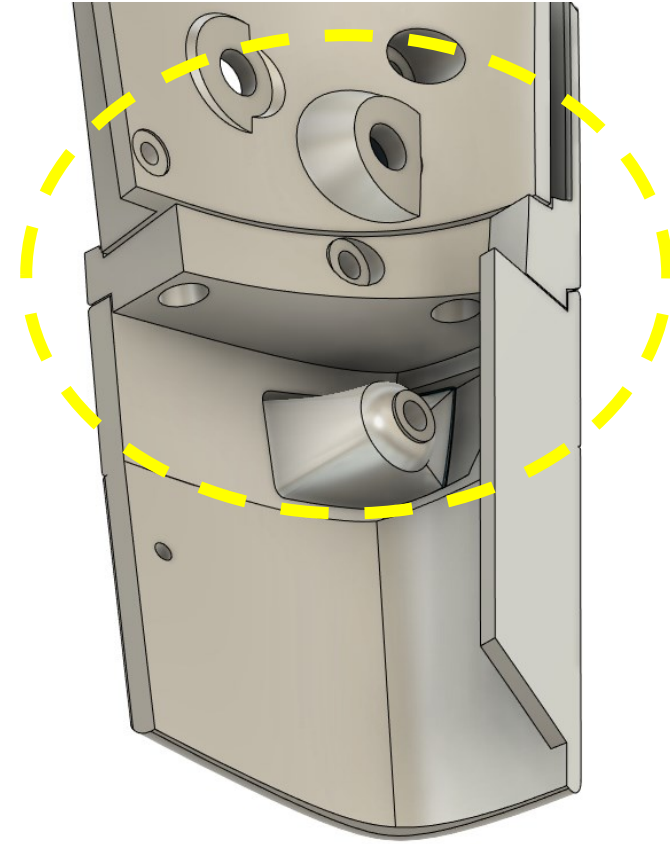
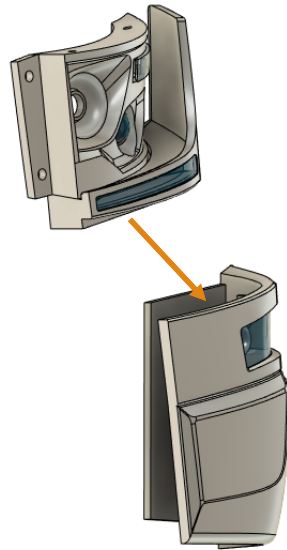
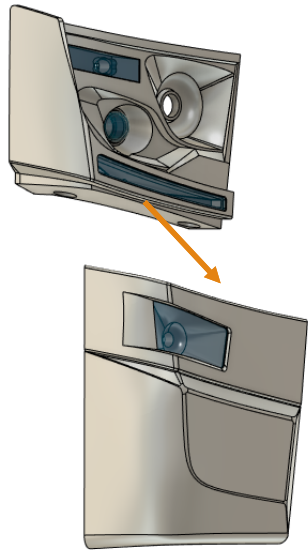
Cabin



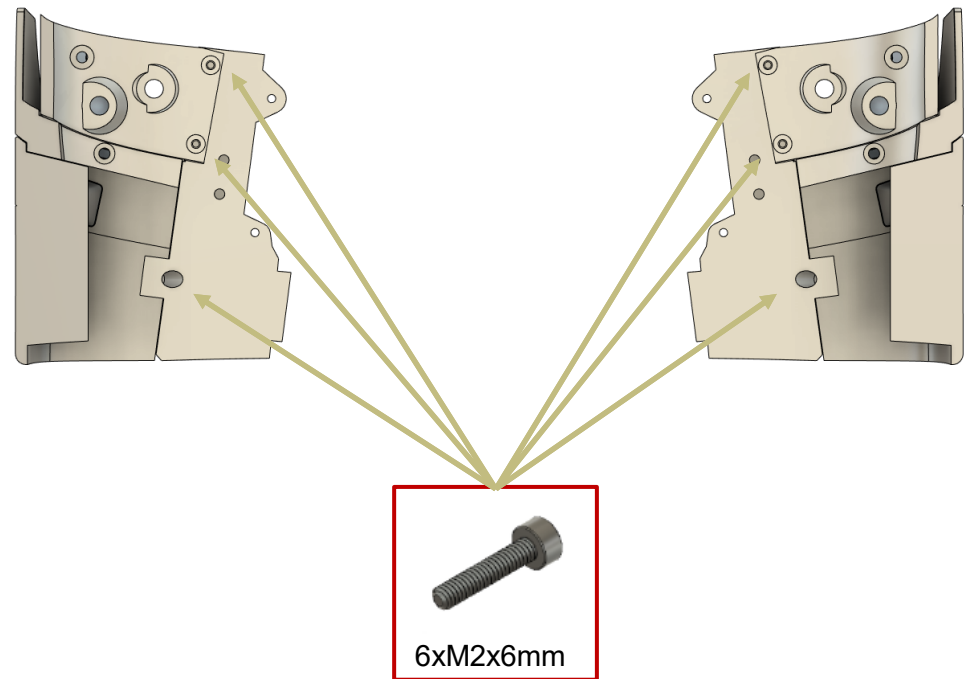
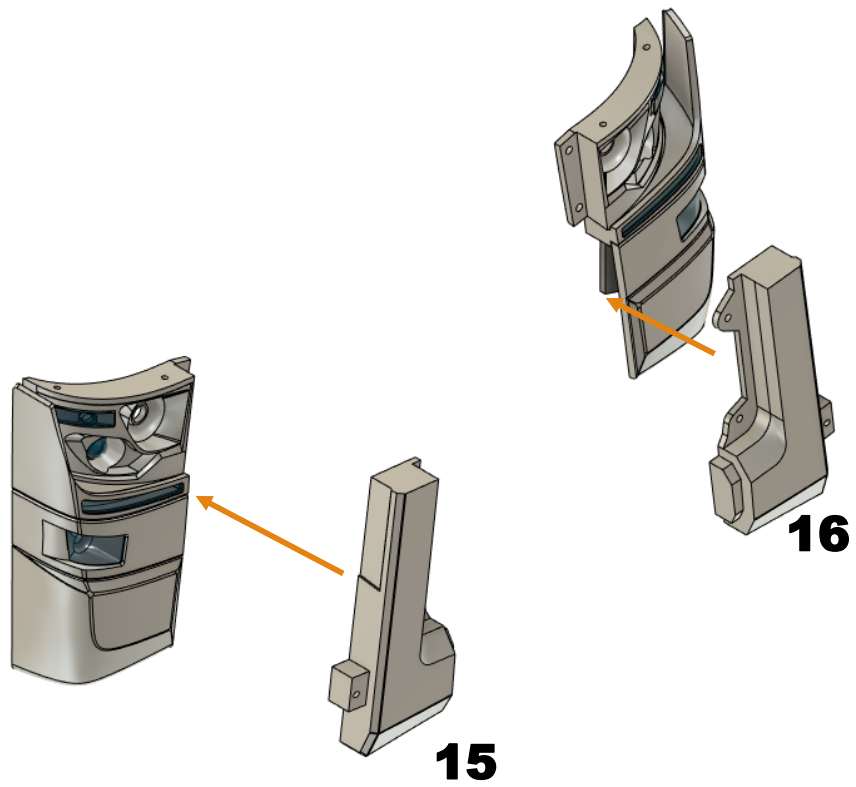
Cabin



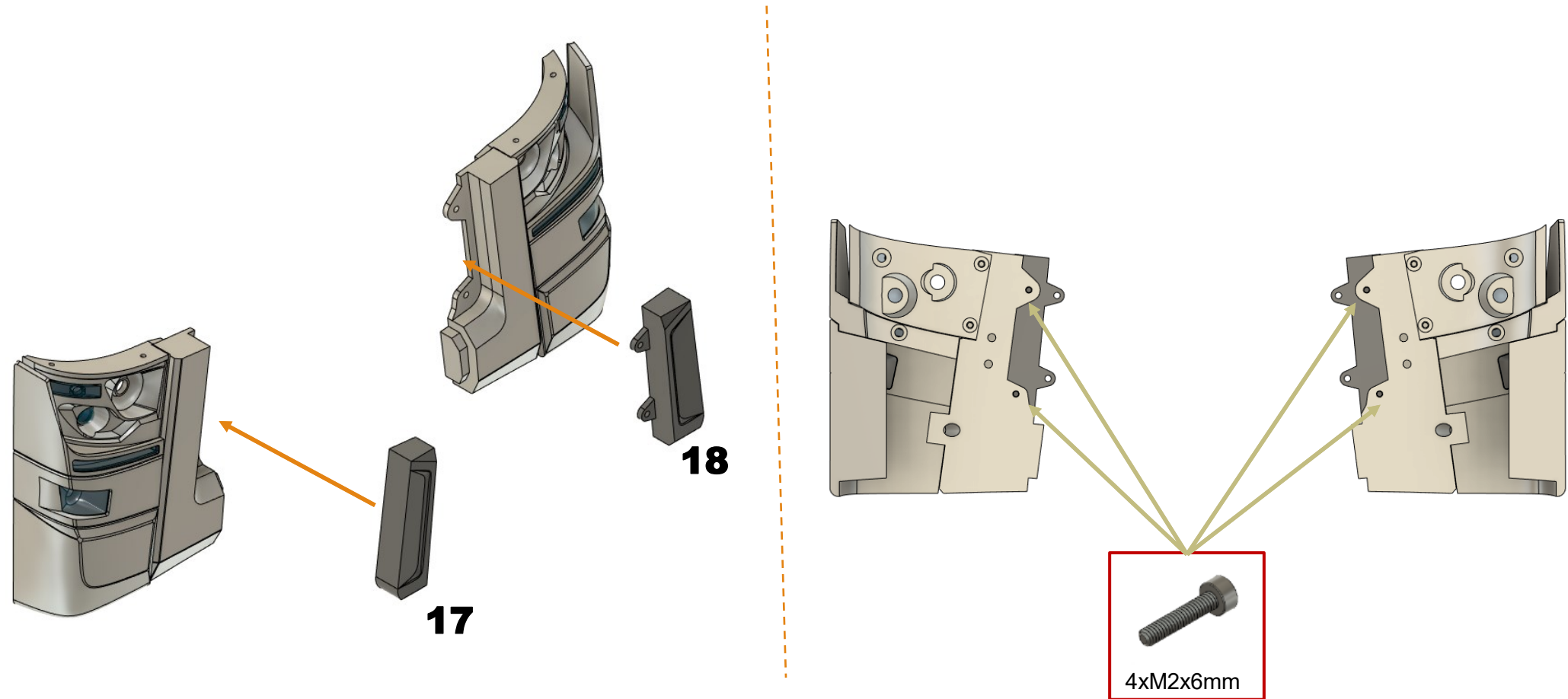
Cabin



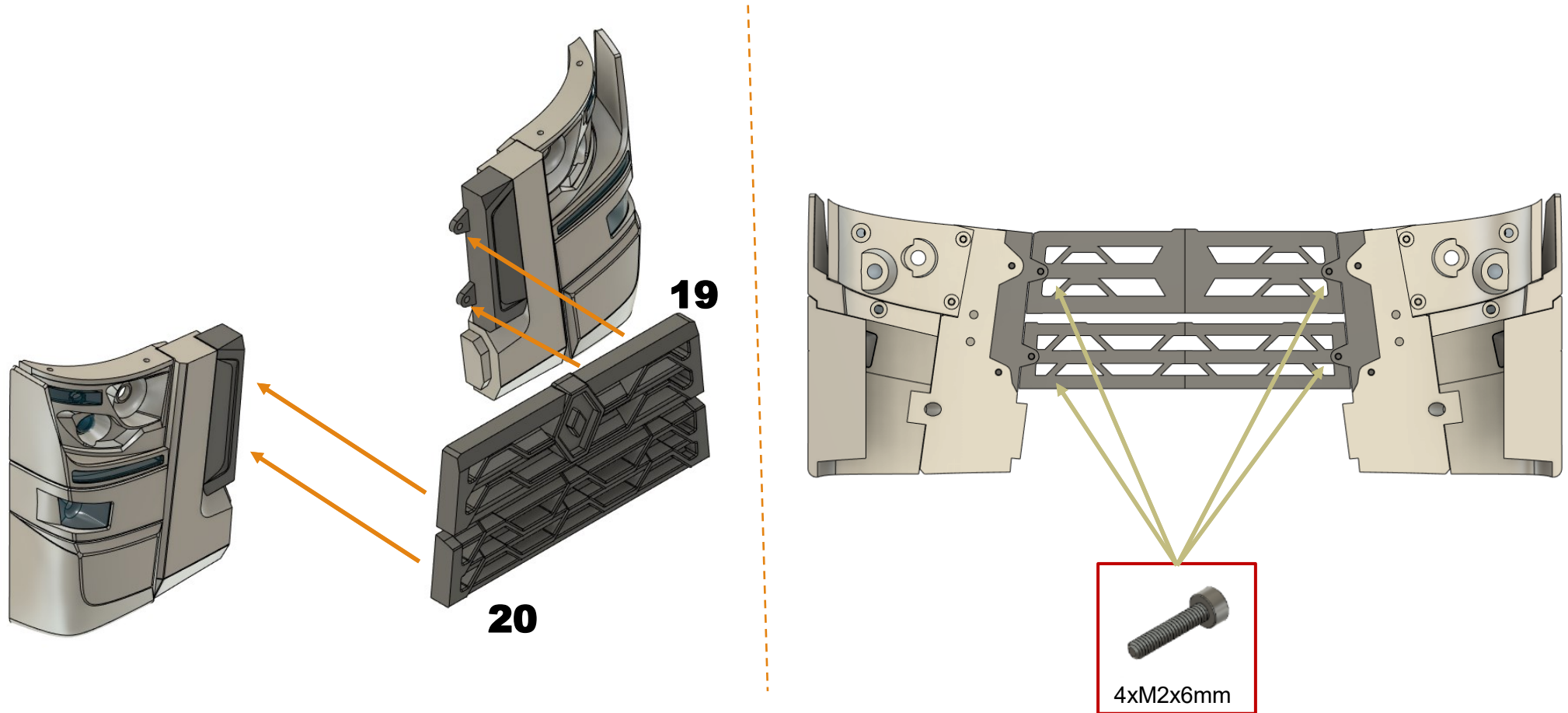
Cabin



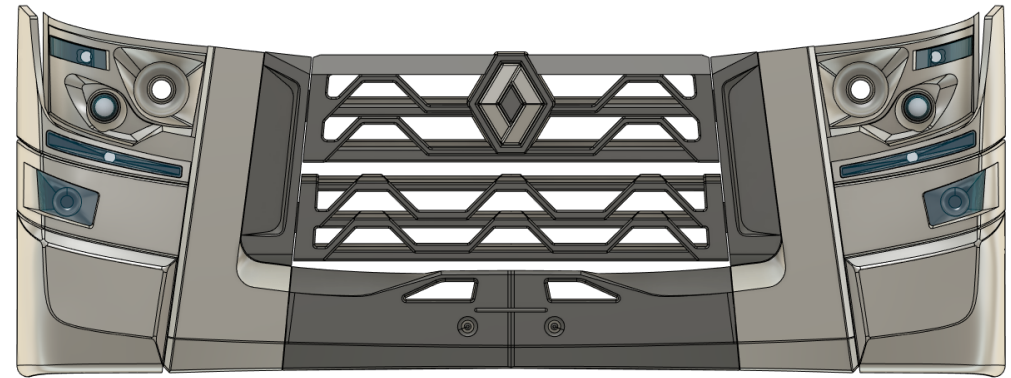
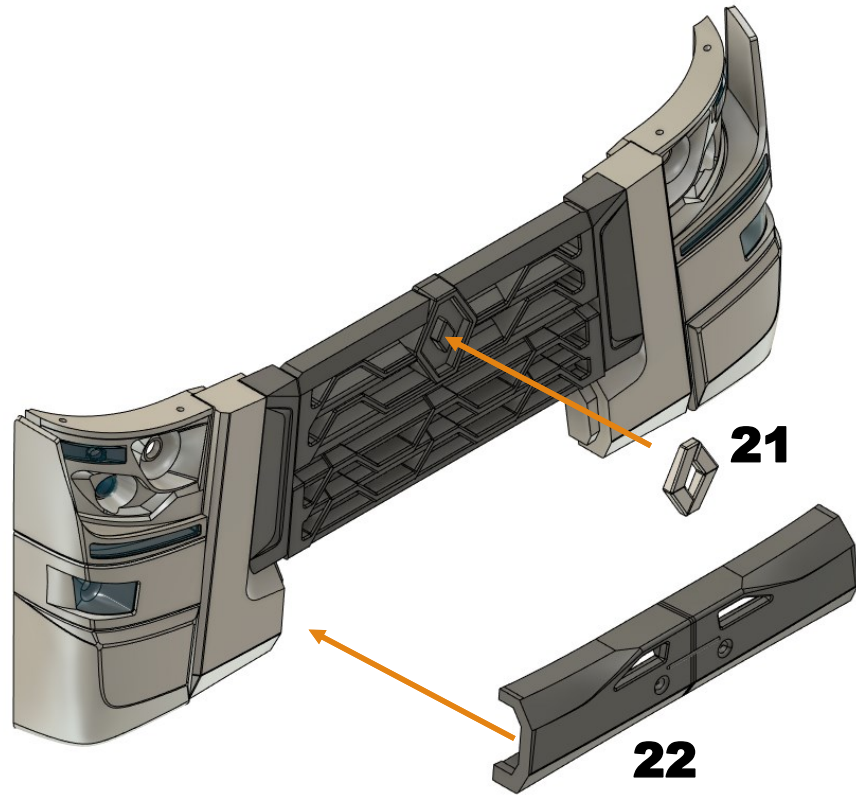
Cabin



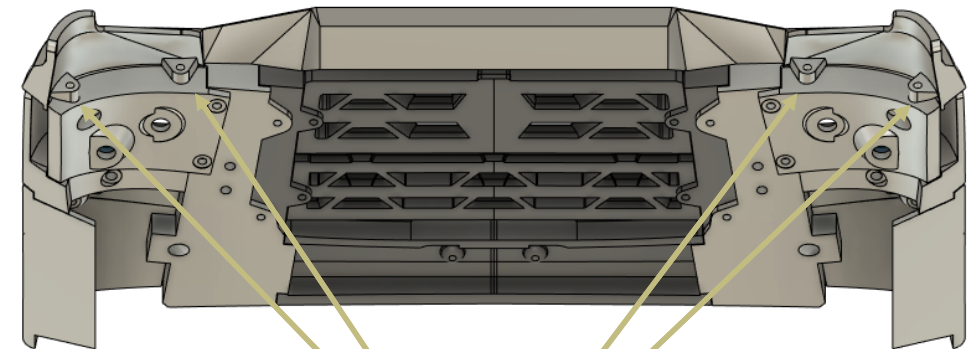
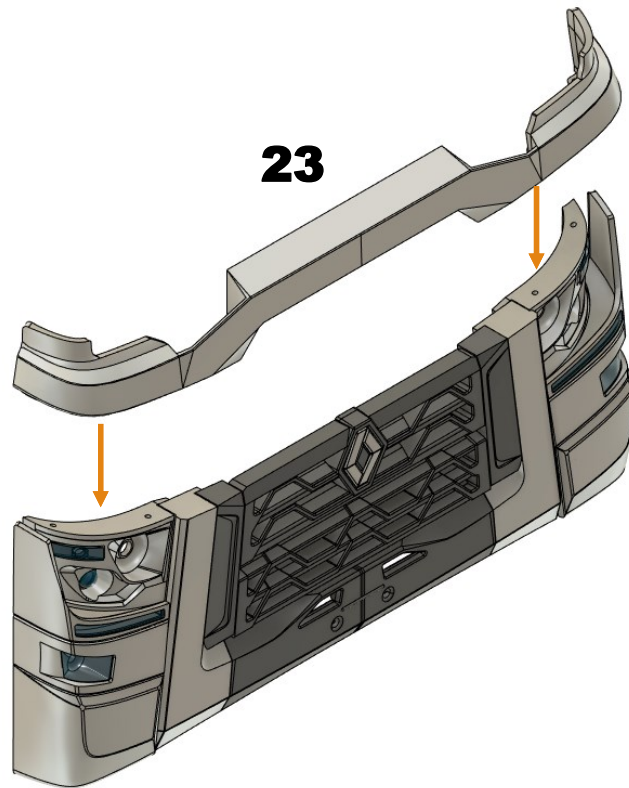
Cabin



Cabin

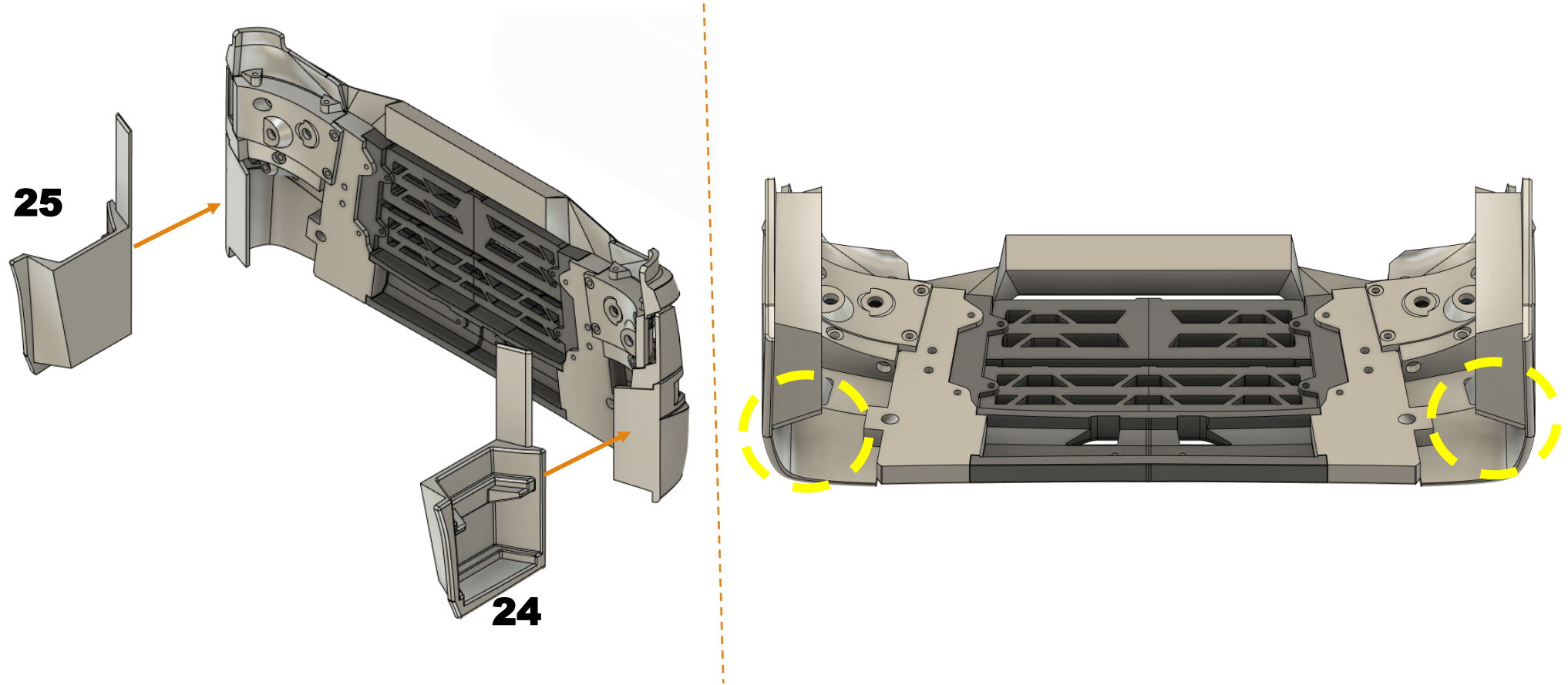


Cabin

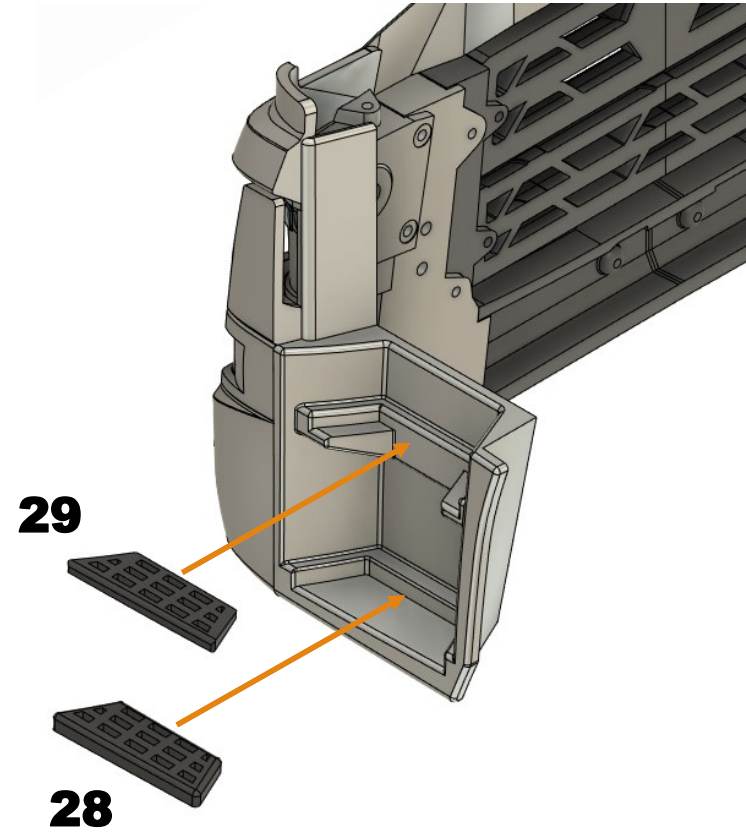
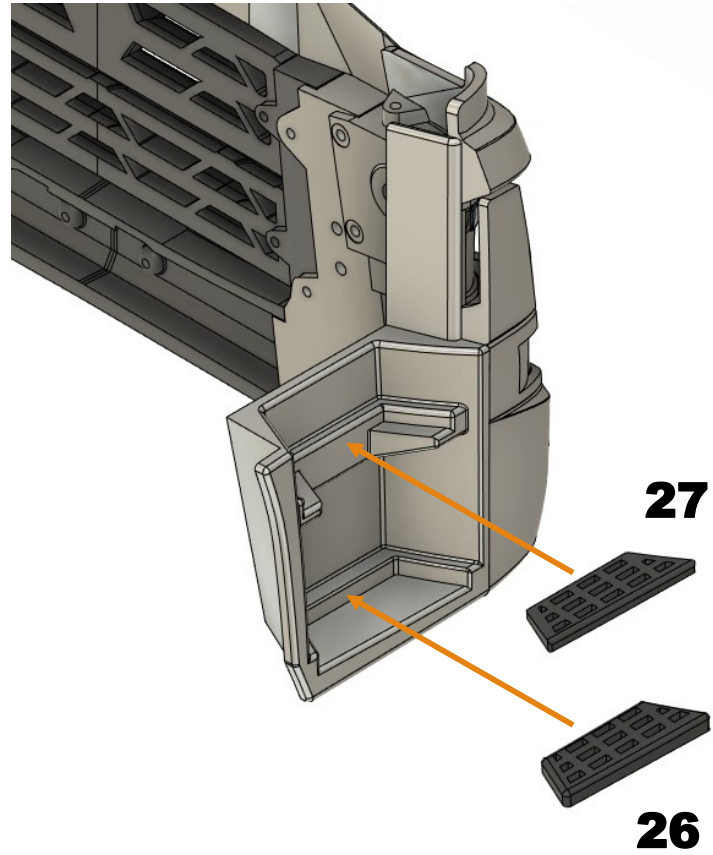


4xM2x6mm

Cabin

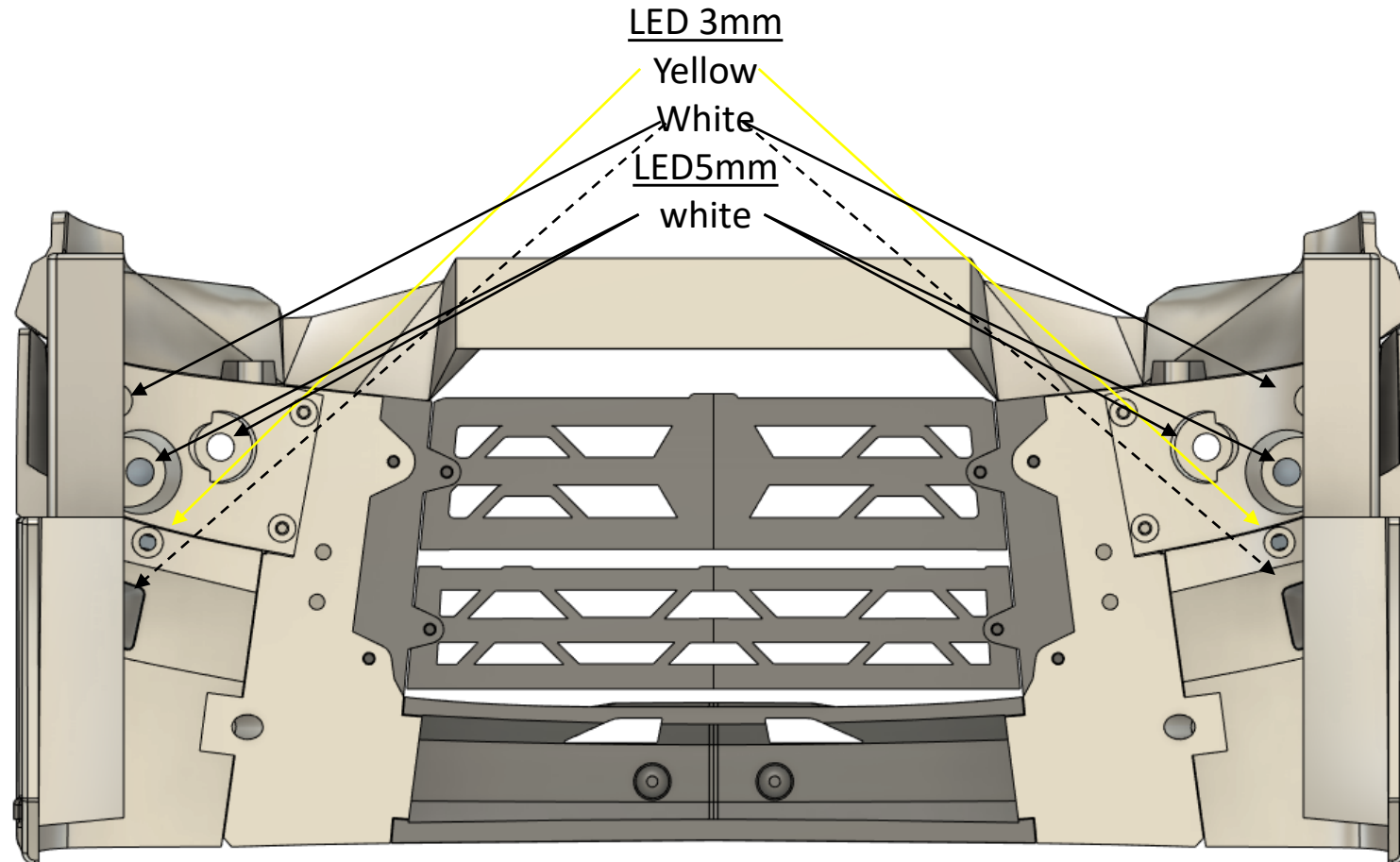


Cabin

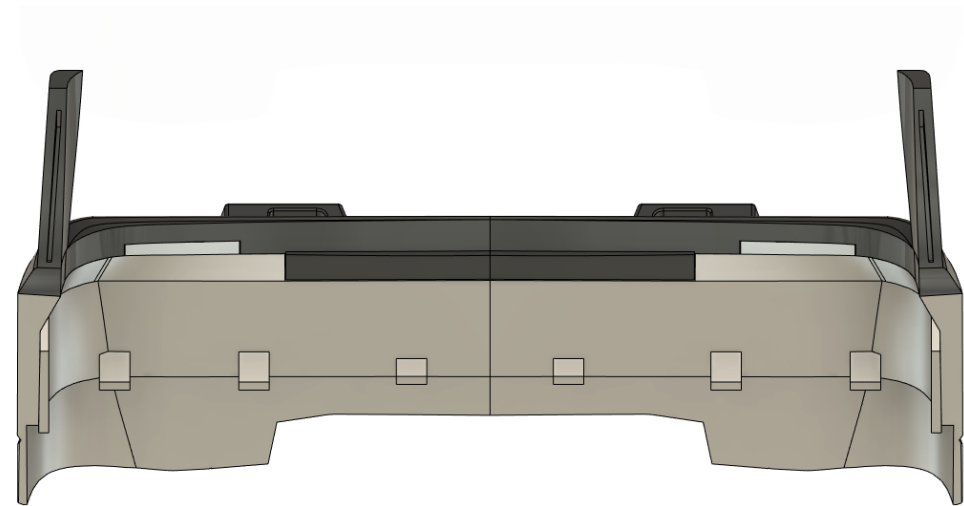
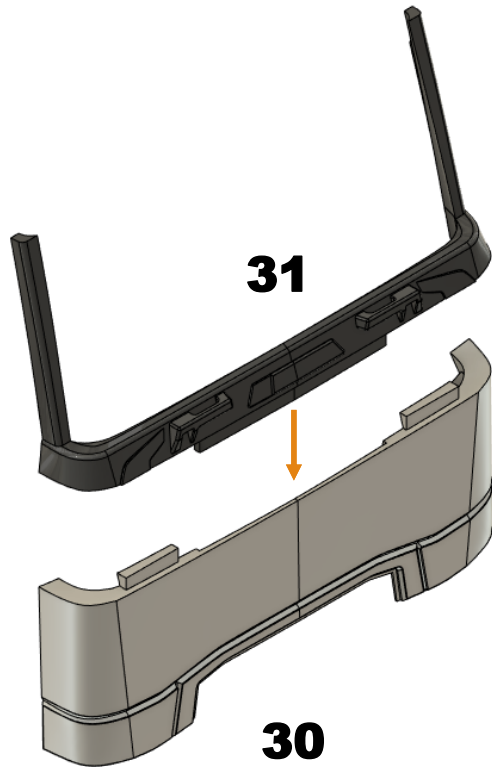


Cabin

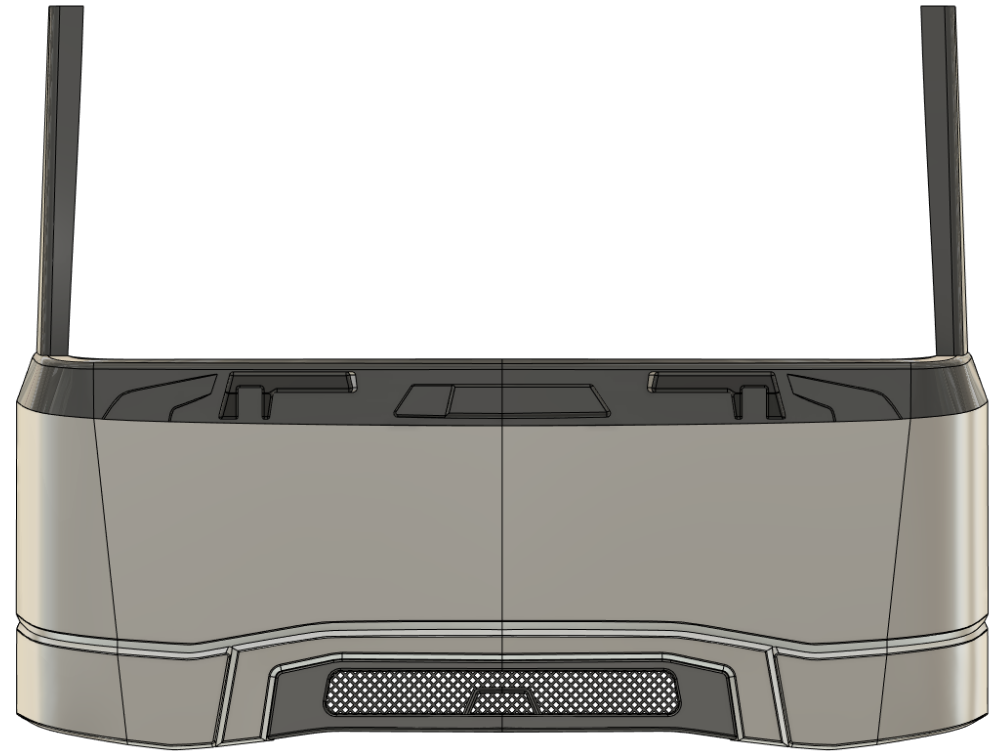
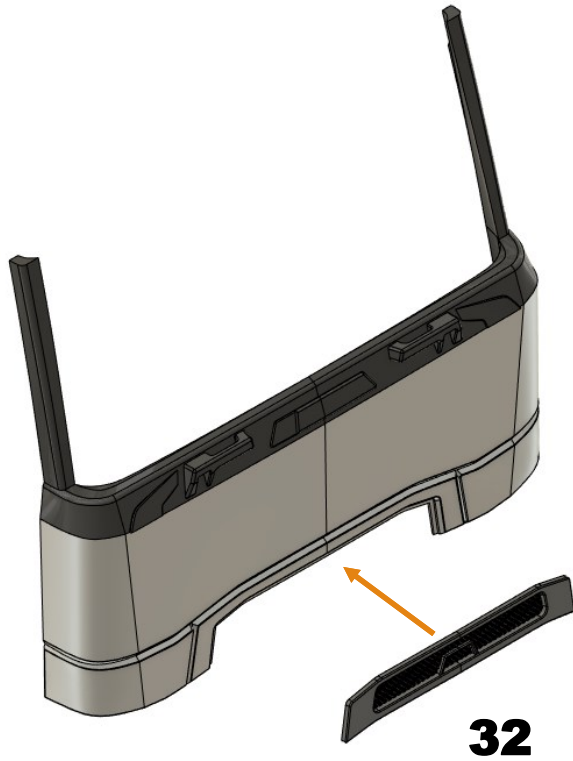
LED Placement



Cabin

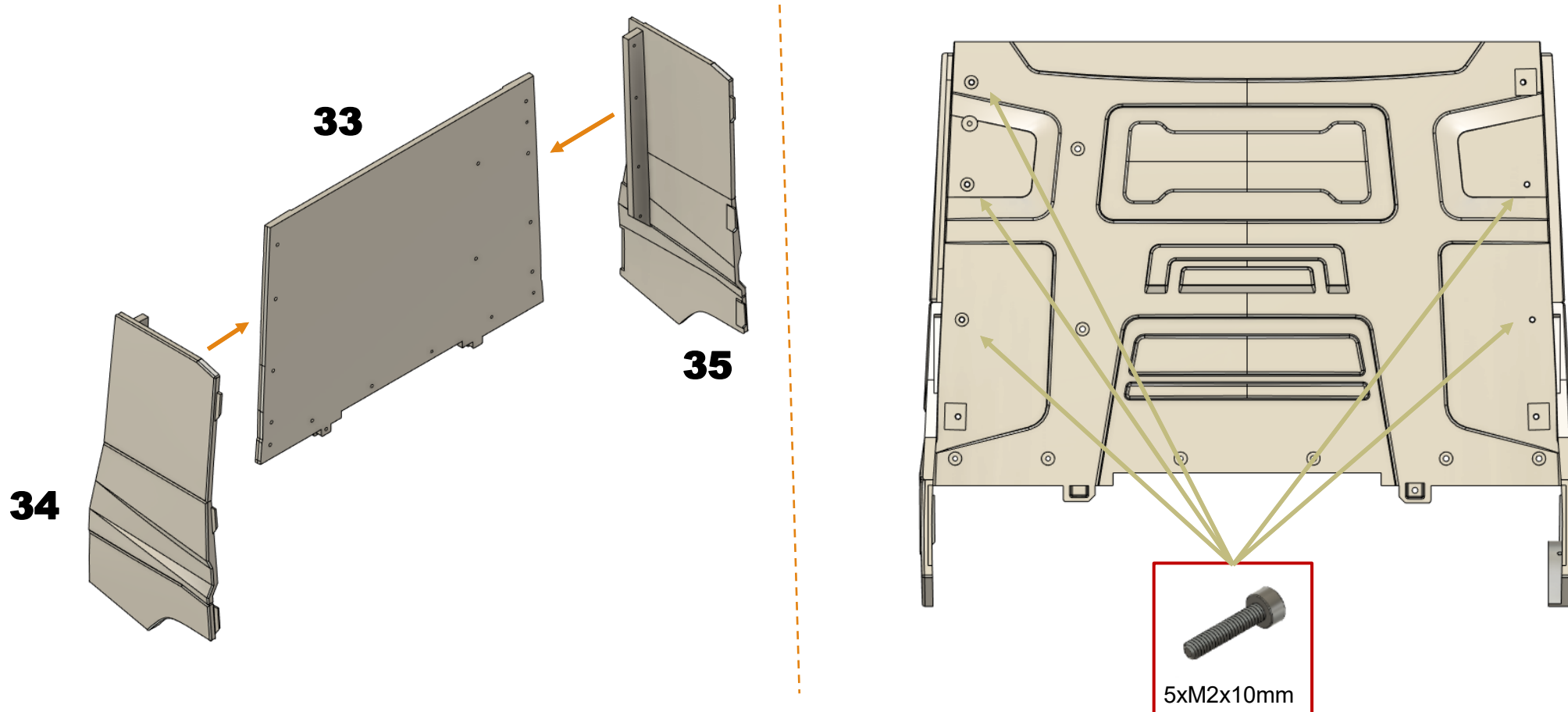


Cabin

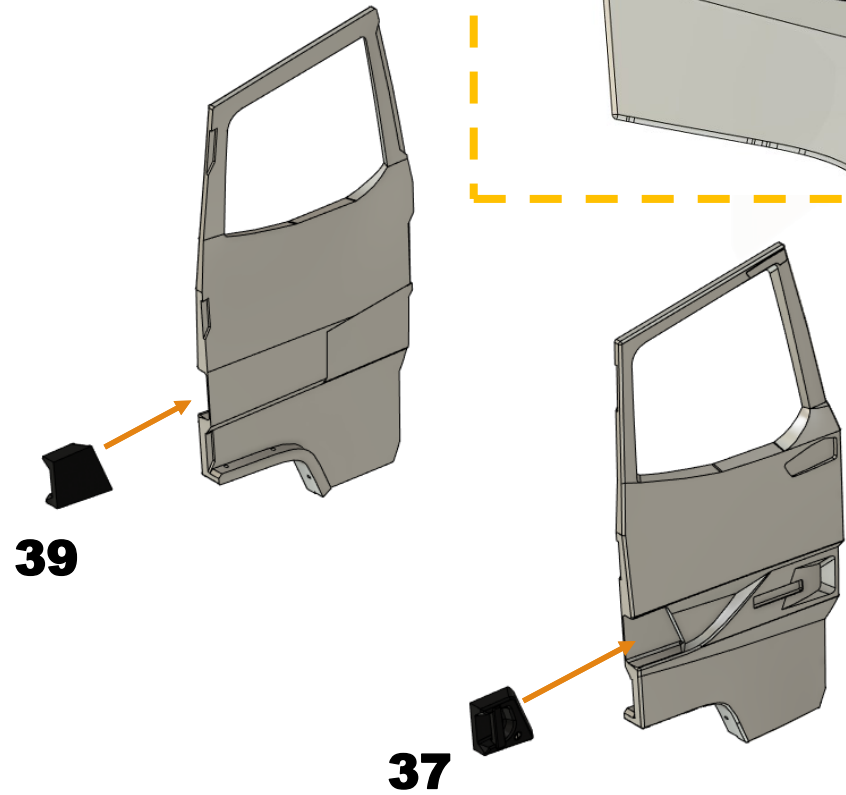
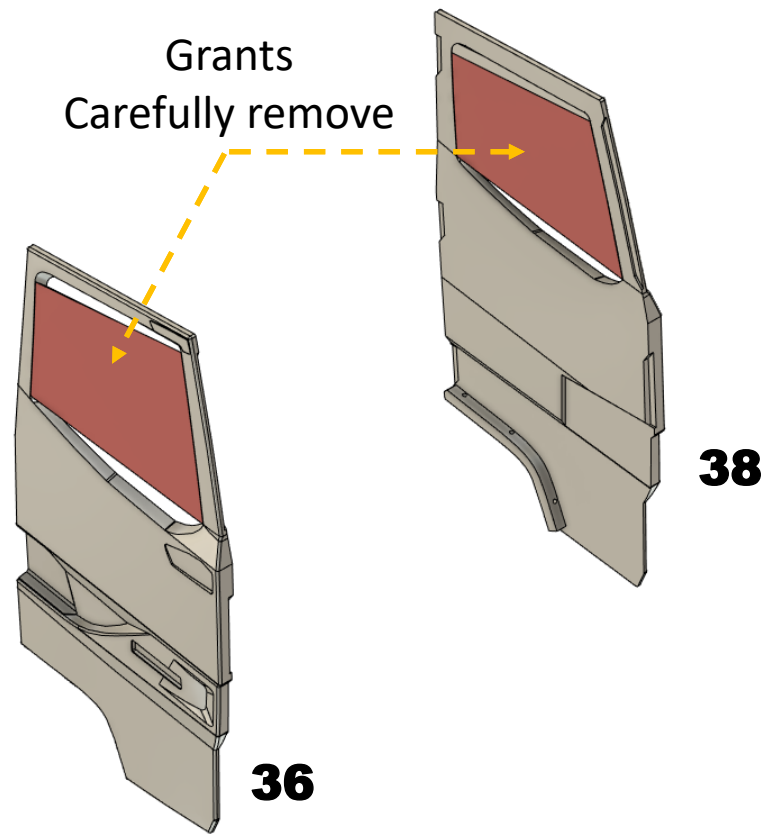


Cabin

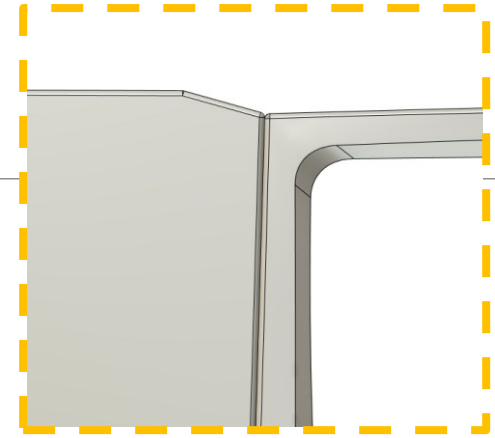
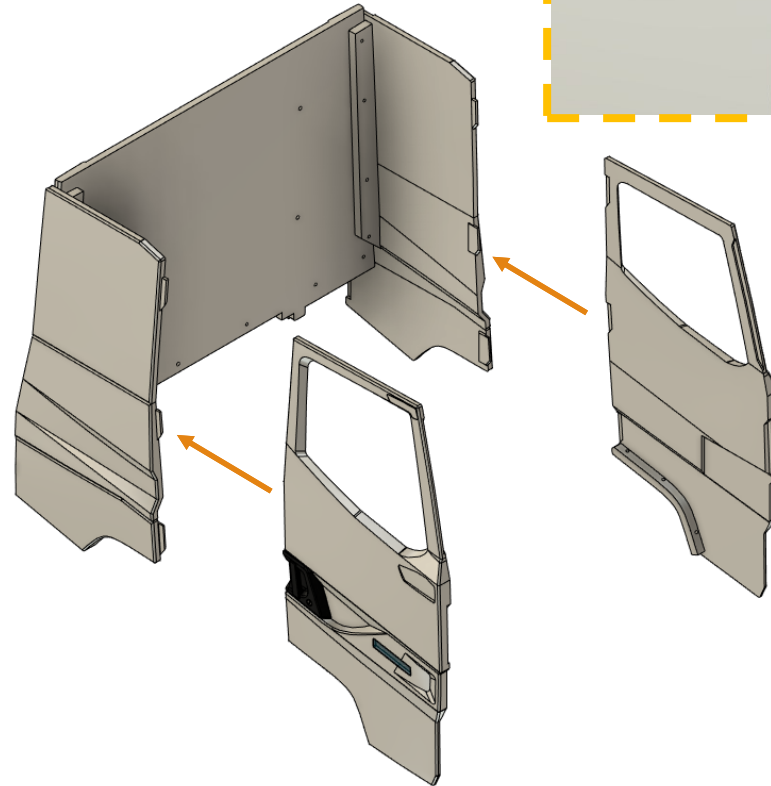
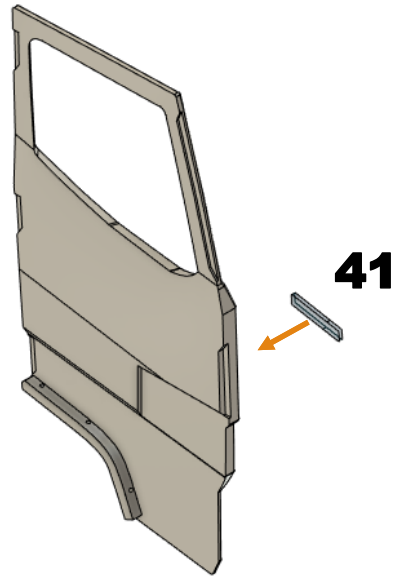
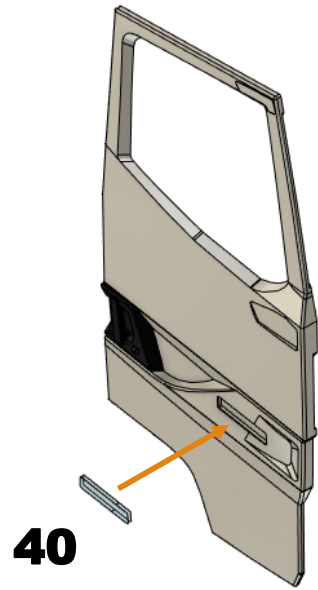
For a smaller print area, use parts 33_1 and 33_2 and glue the parts together.



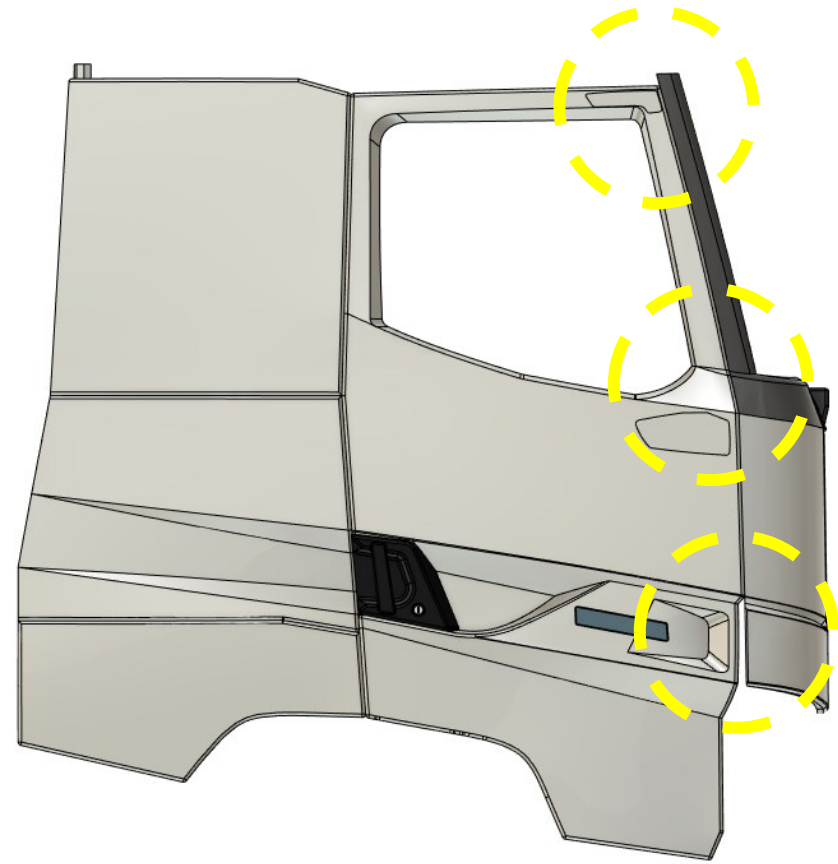
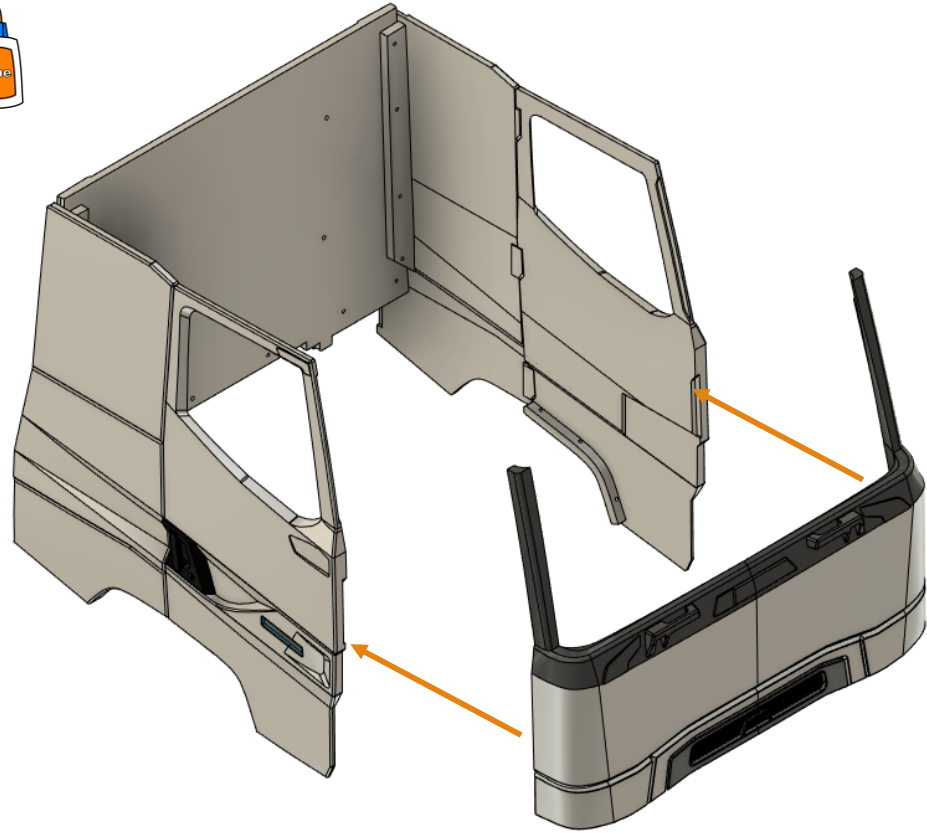
Cabin



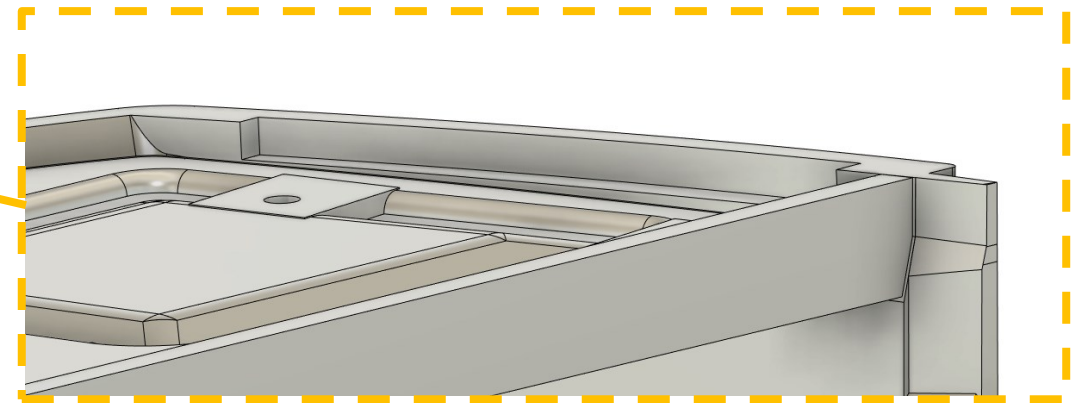
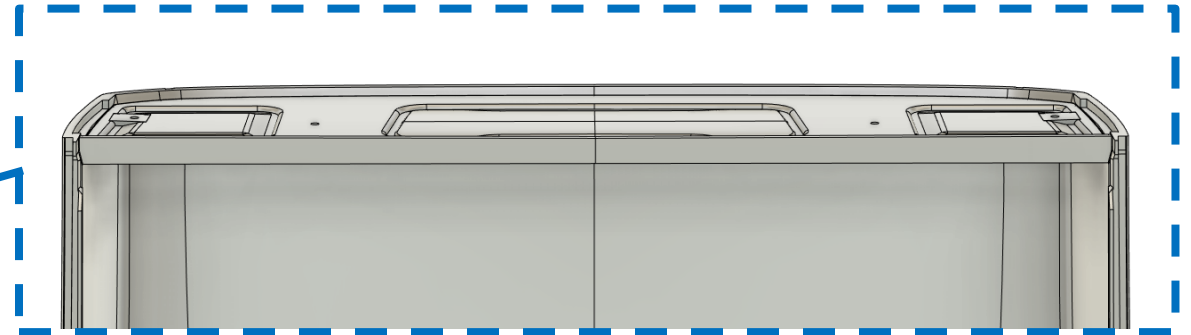
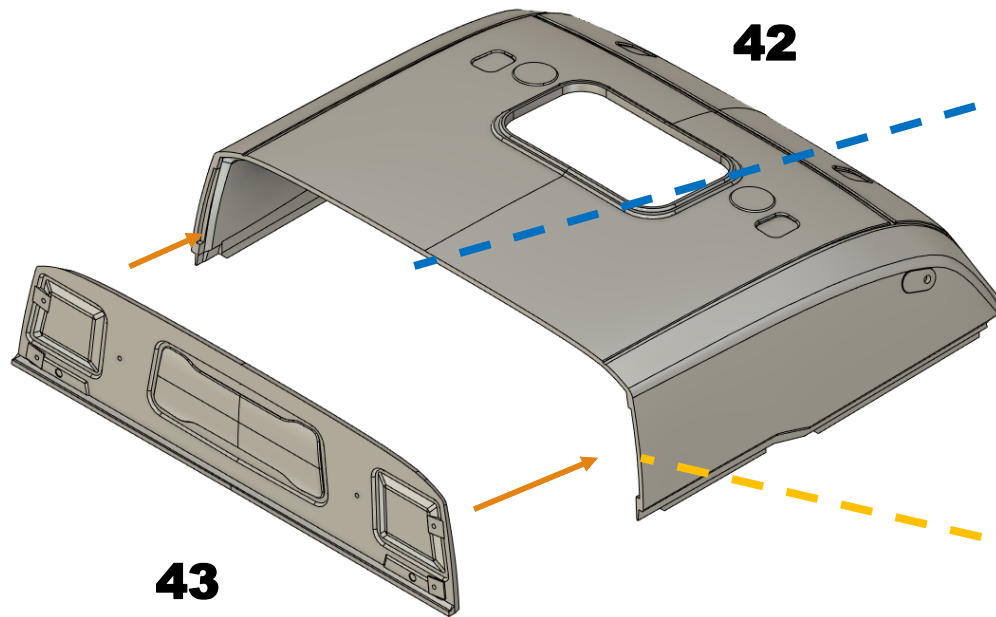
Cabin



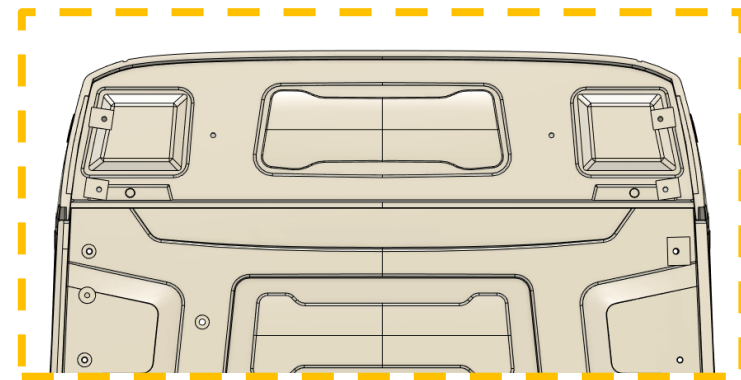
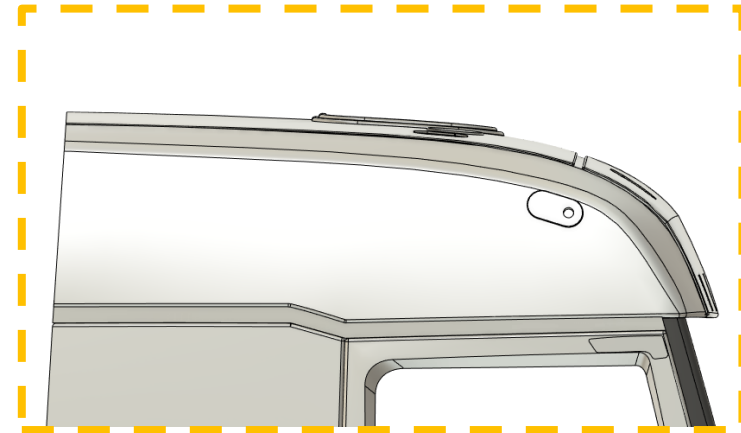
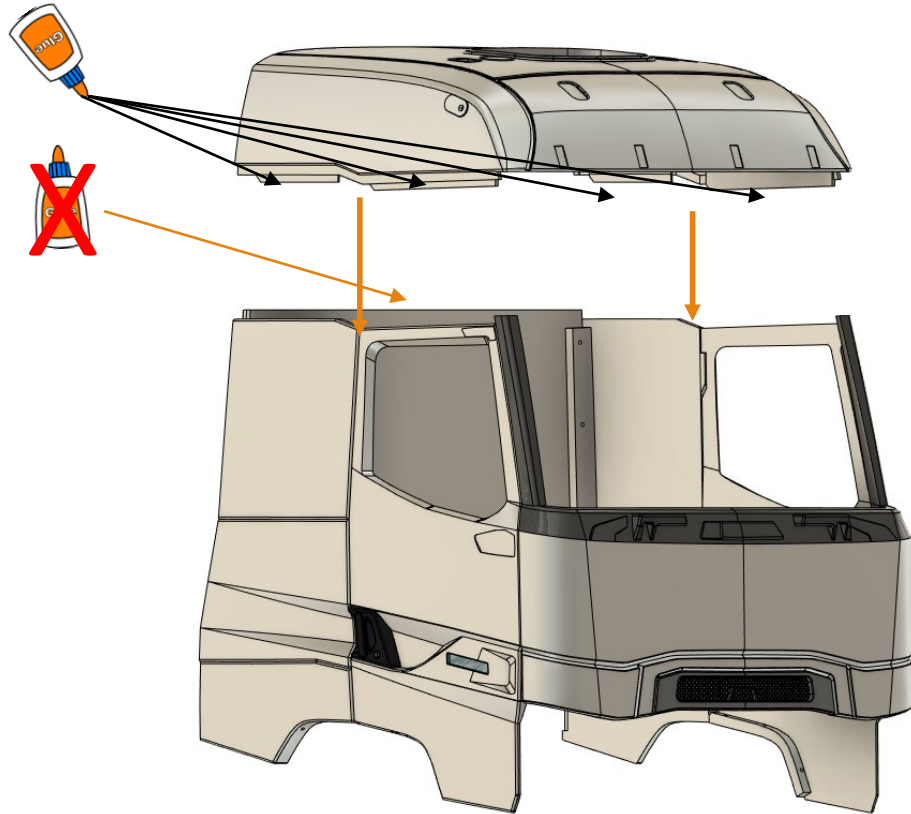
Cabin



Cabin

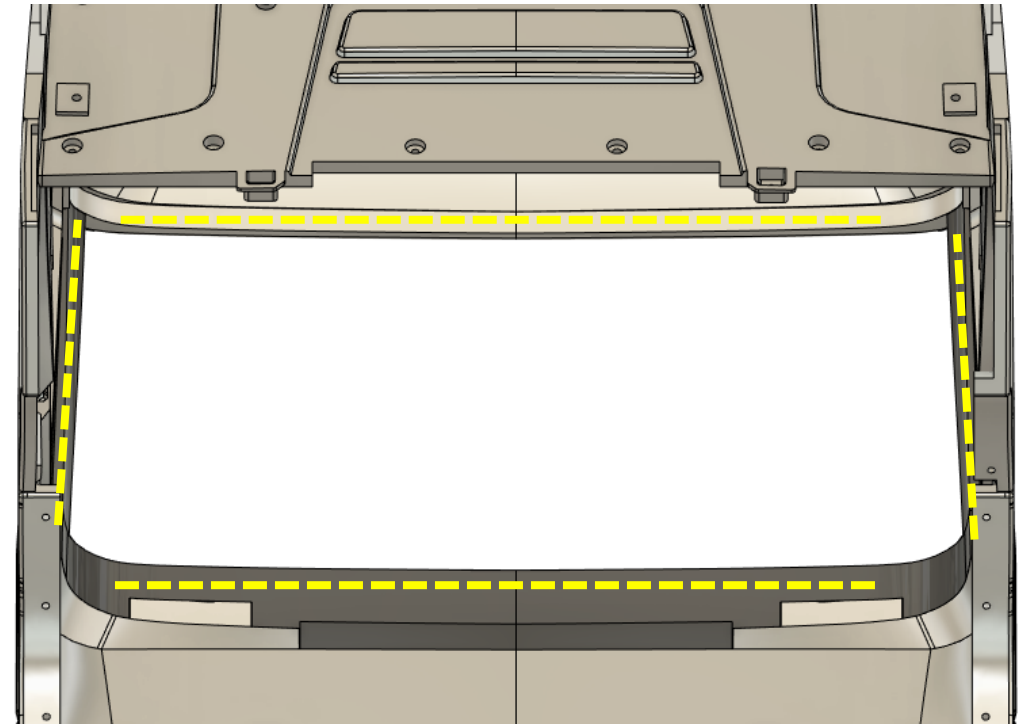
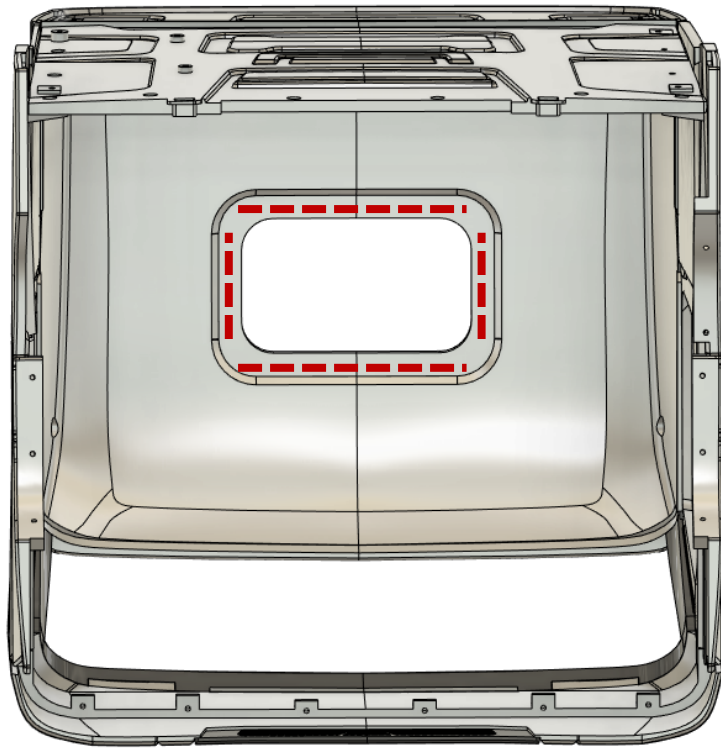


Cabin

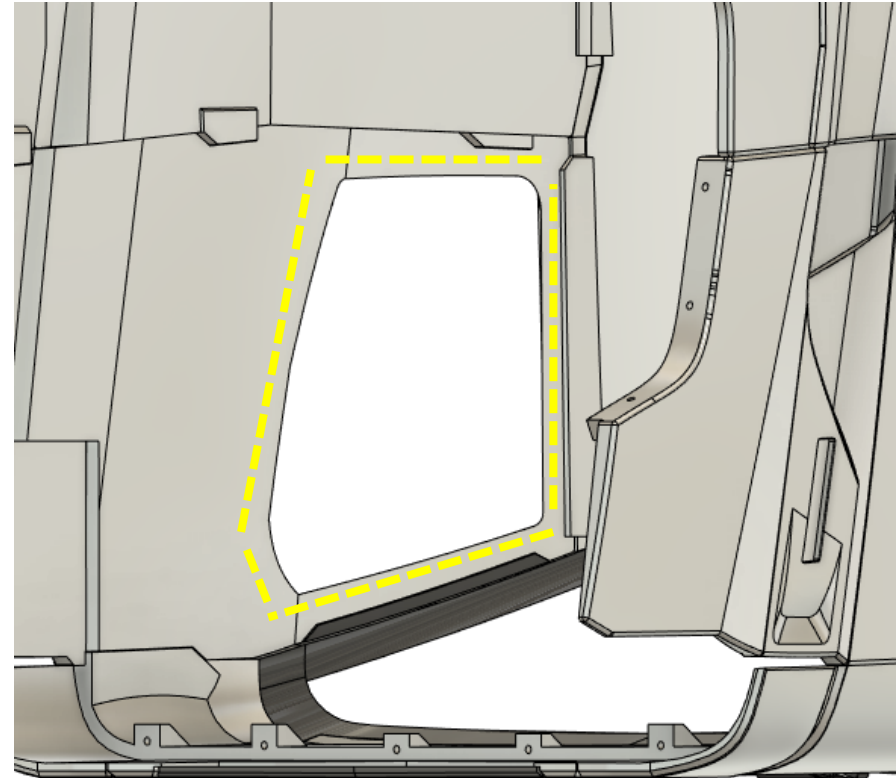
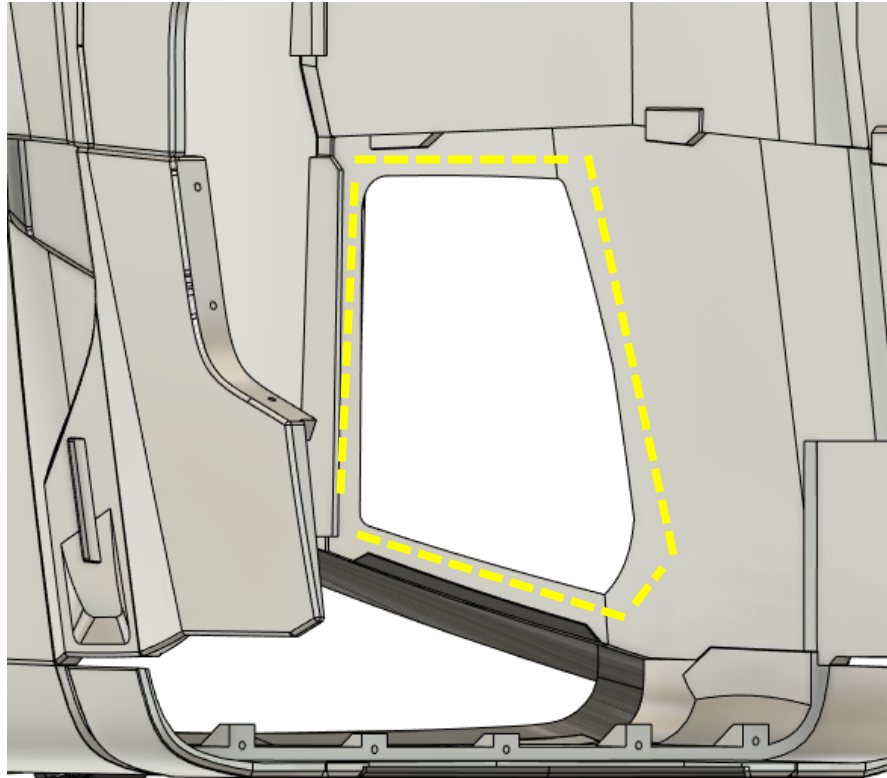


Cabin

Use Durofol 0.4mm for windows.
Apply the glue to the marked areas, apply Durofol
and use the activator.



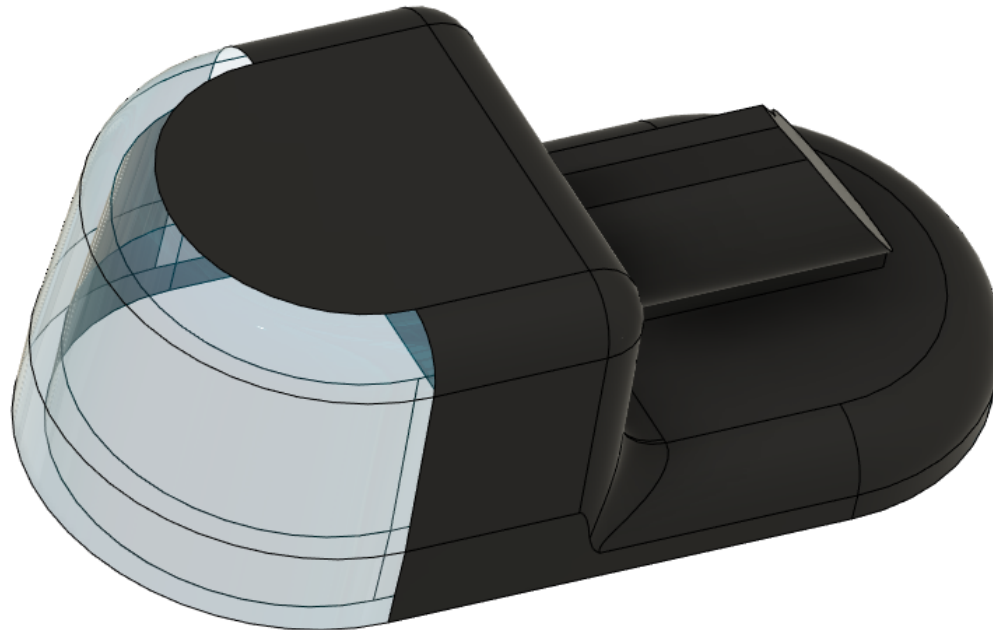
Cabin



Cabin

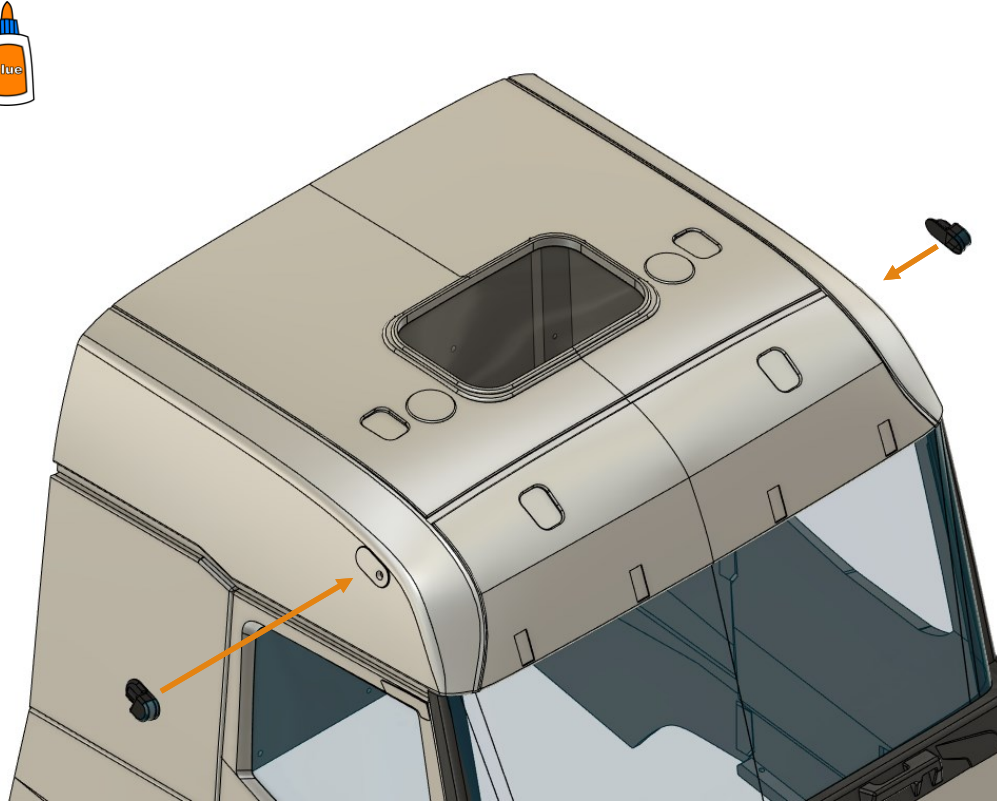
2x

44

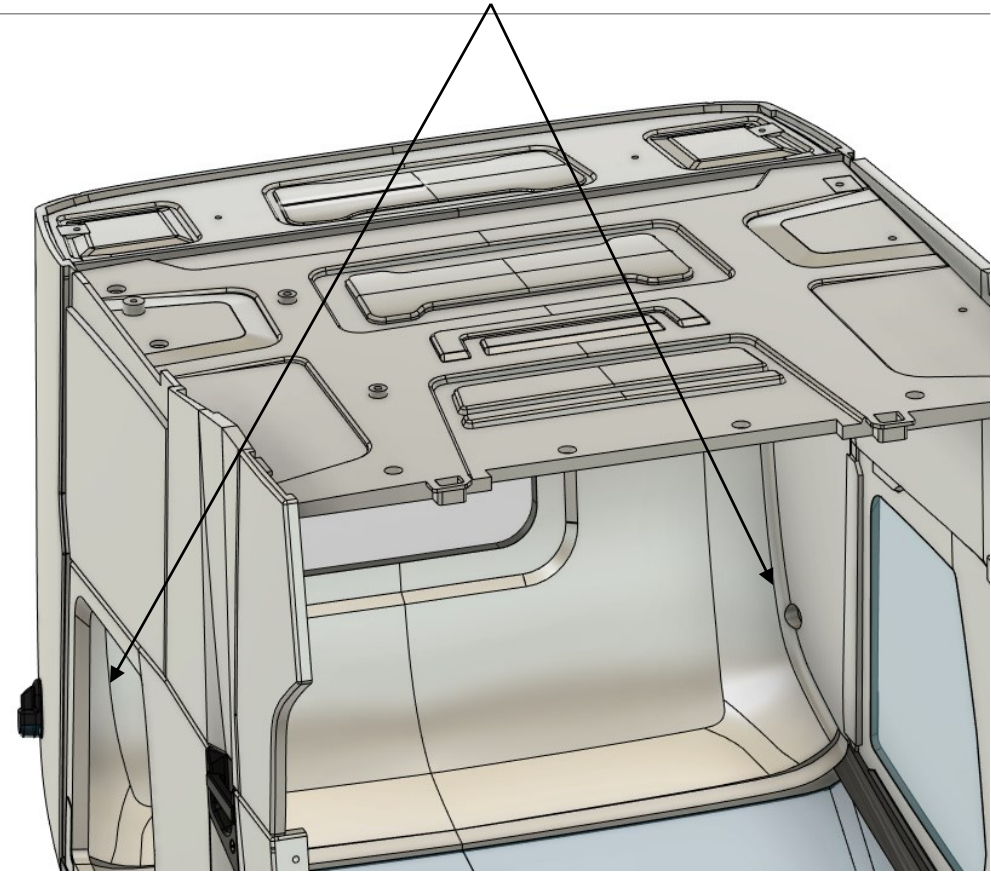


Print part 2x 44 from CLEAR filament and according to the picture, black preferably black matt paint, even from the inside.

Cabin

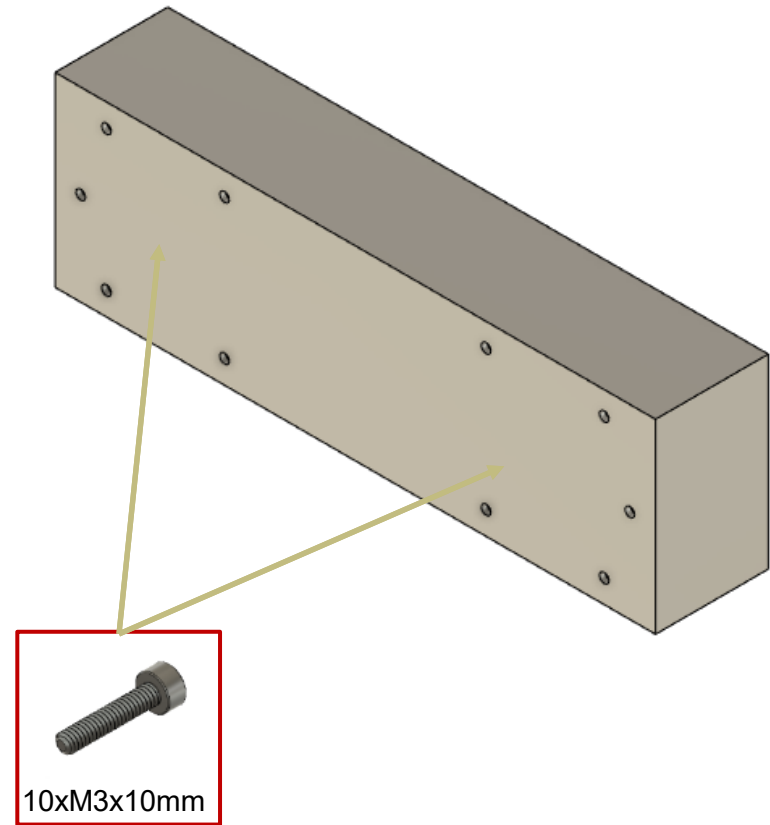
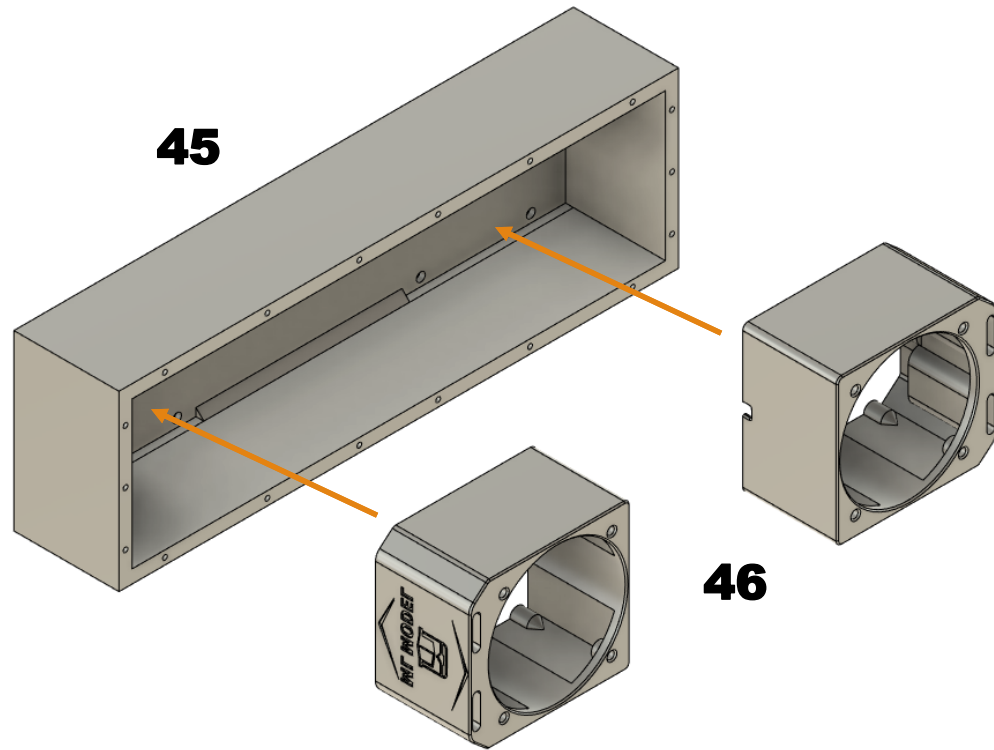


Insert 3mm LED White



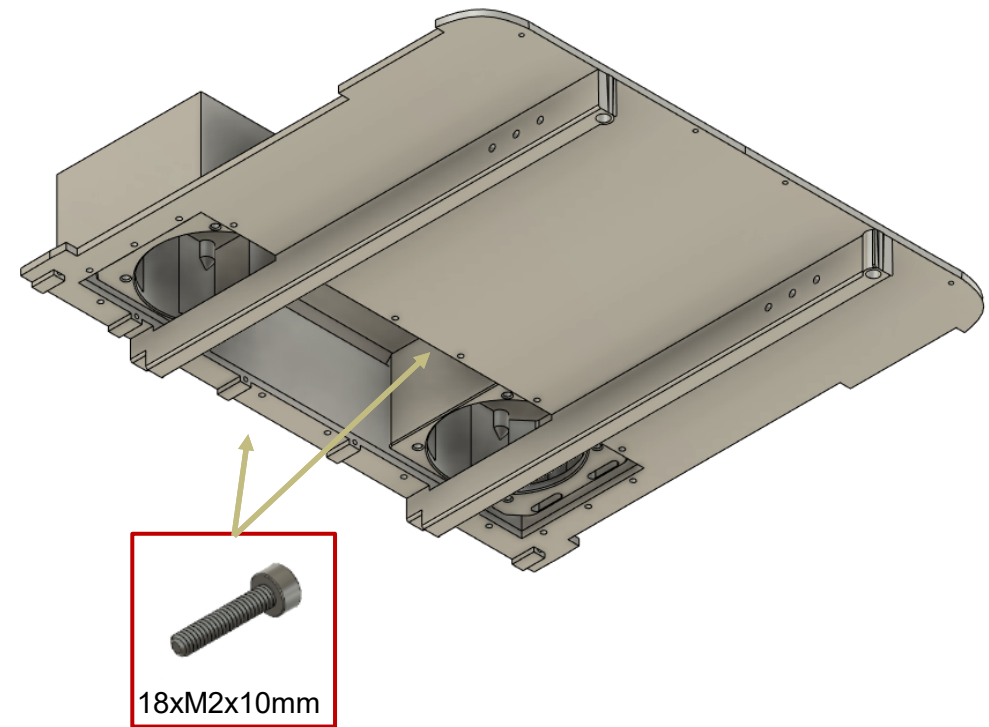
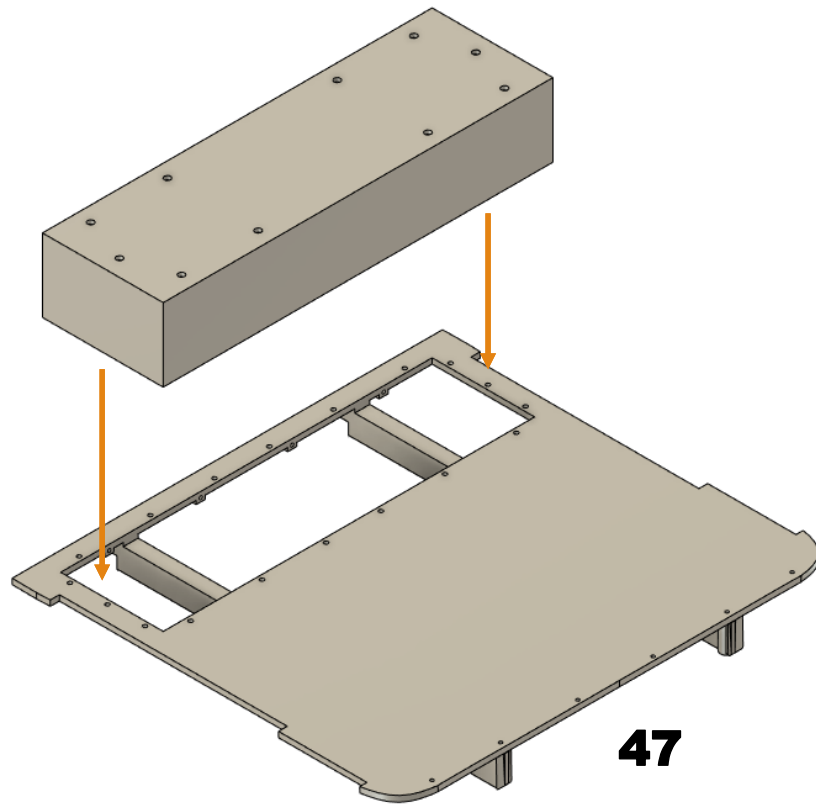
Cabin

If you have purchased a sound/light module from Mlmodel,
Screw the speakers into the parts 46. If you got a set with a single speaker,
Use only one part 46. If you do not have a sound/light module, omit parts 46.

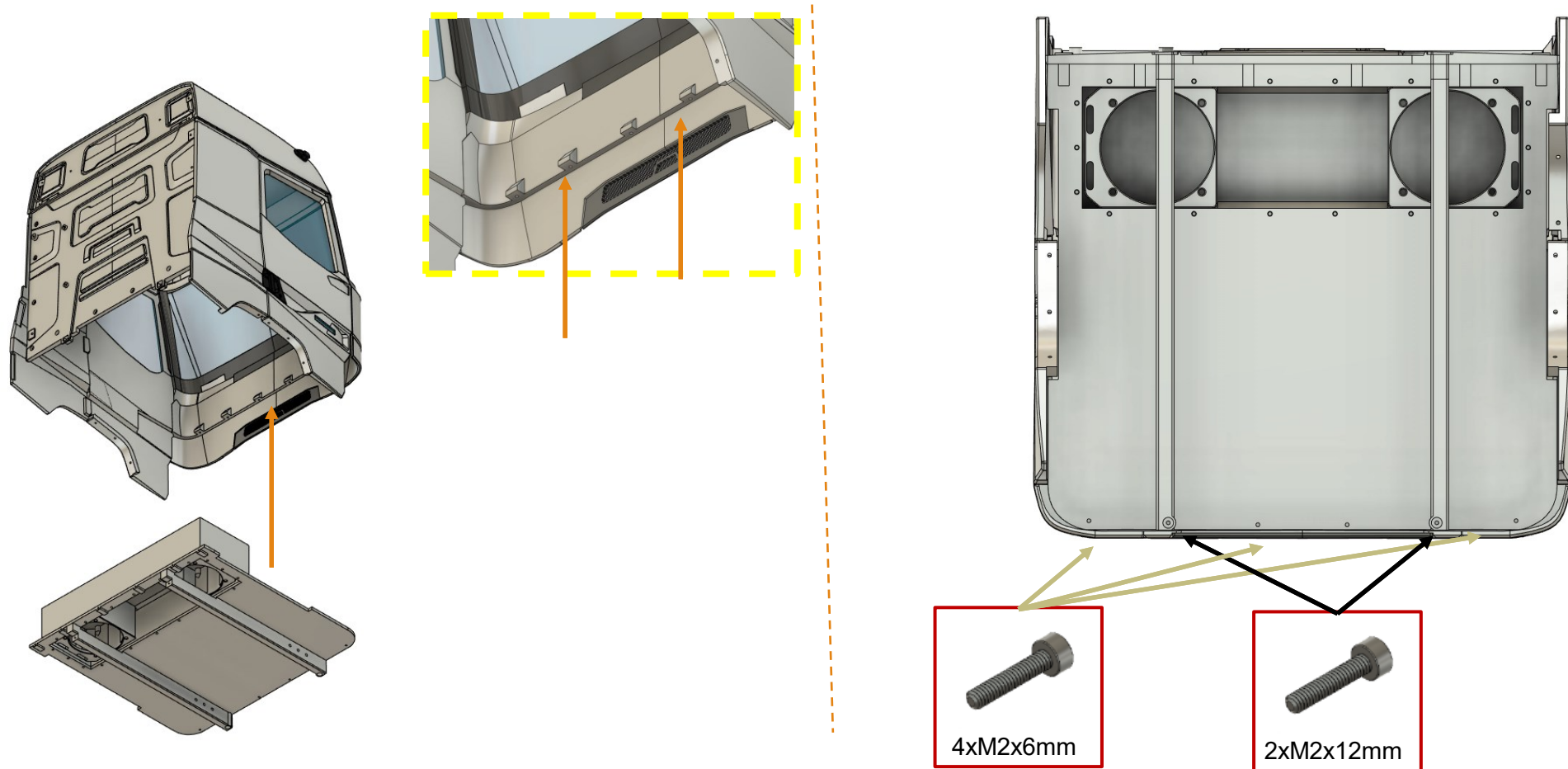


Cabin

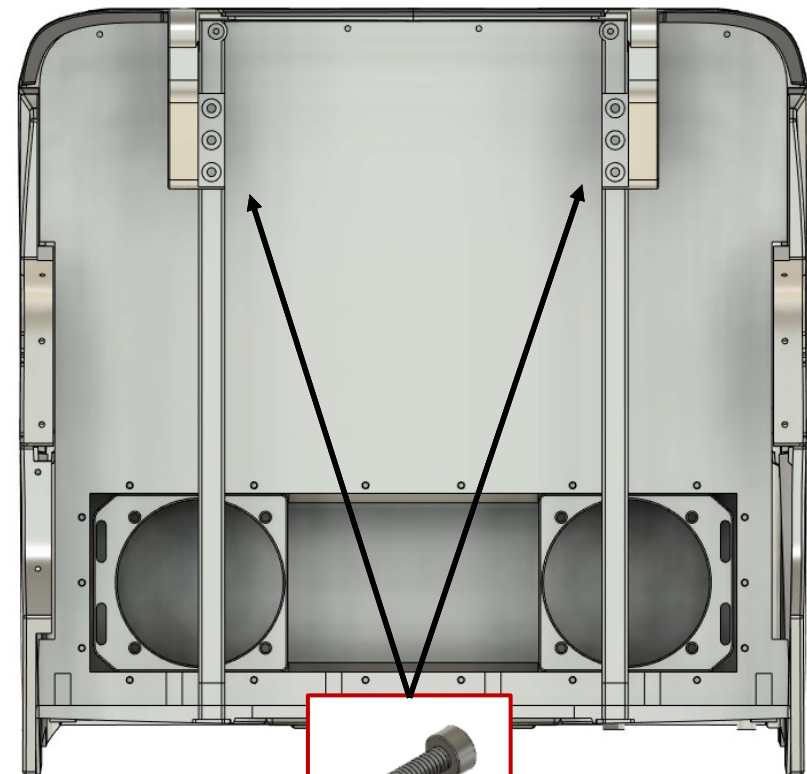
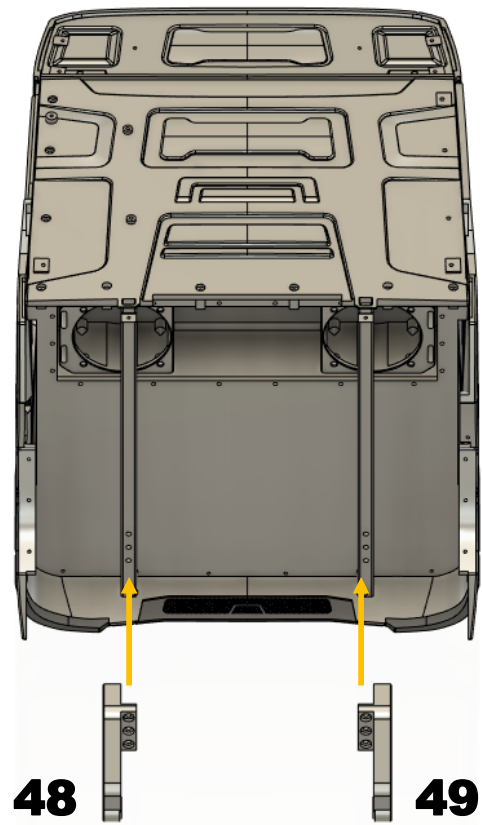
For a smaller print area, use parts 46_1 and 46_2 and glue the parts together.



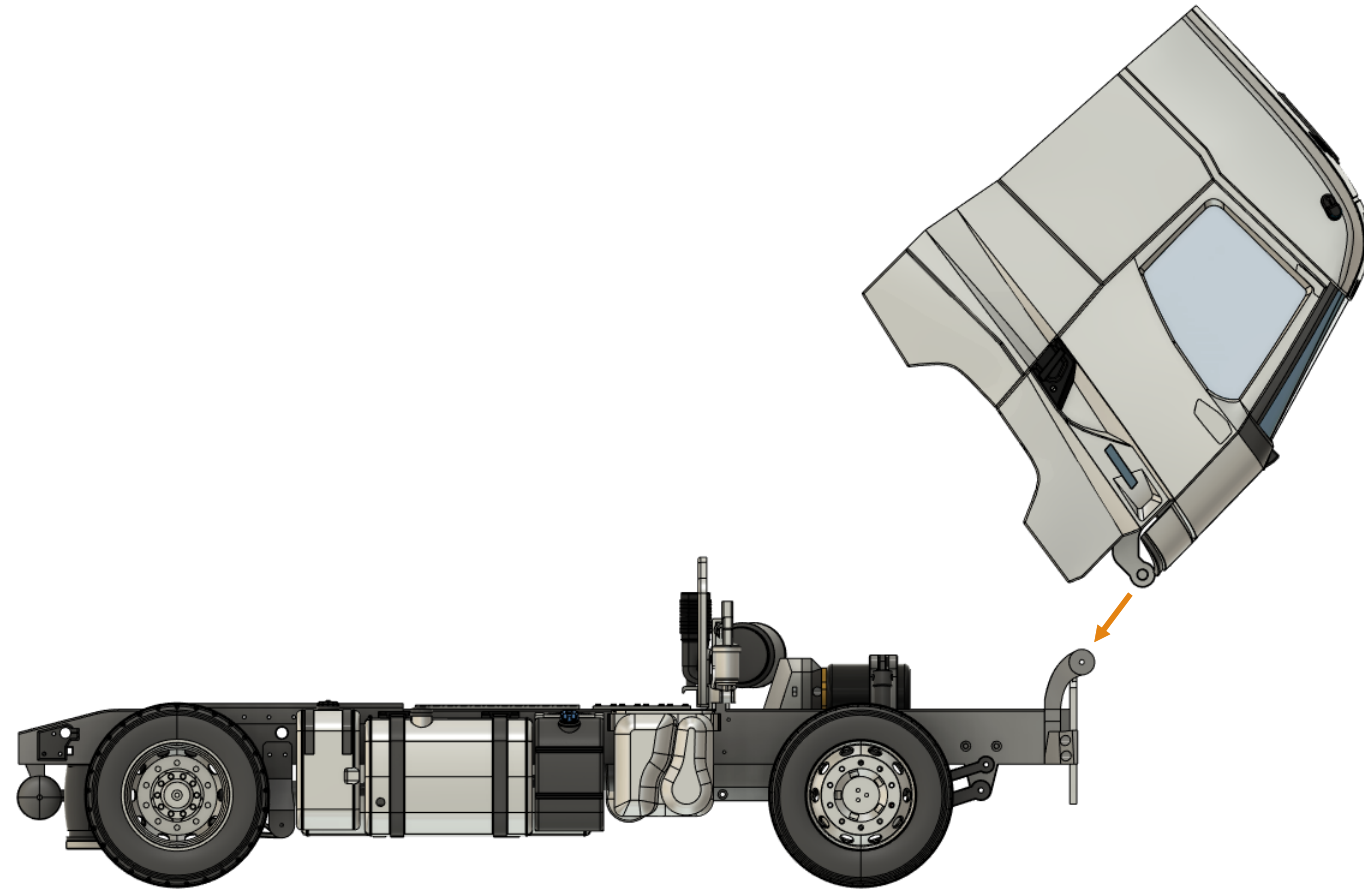
Cabin



Cabin



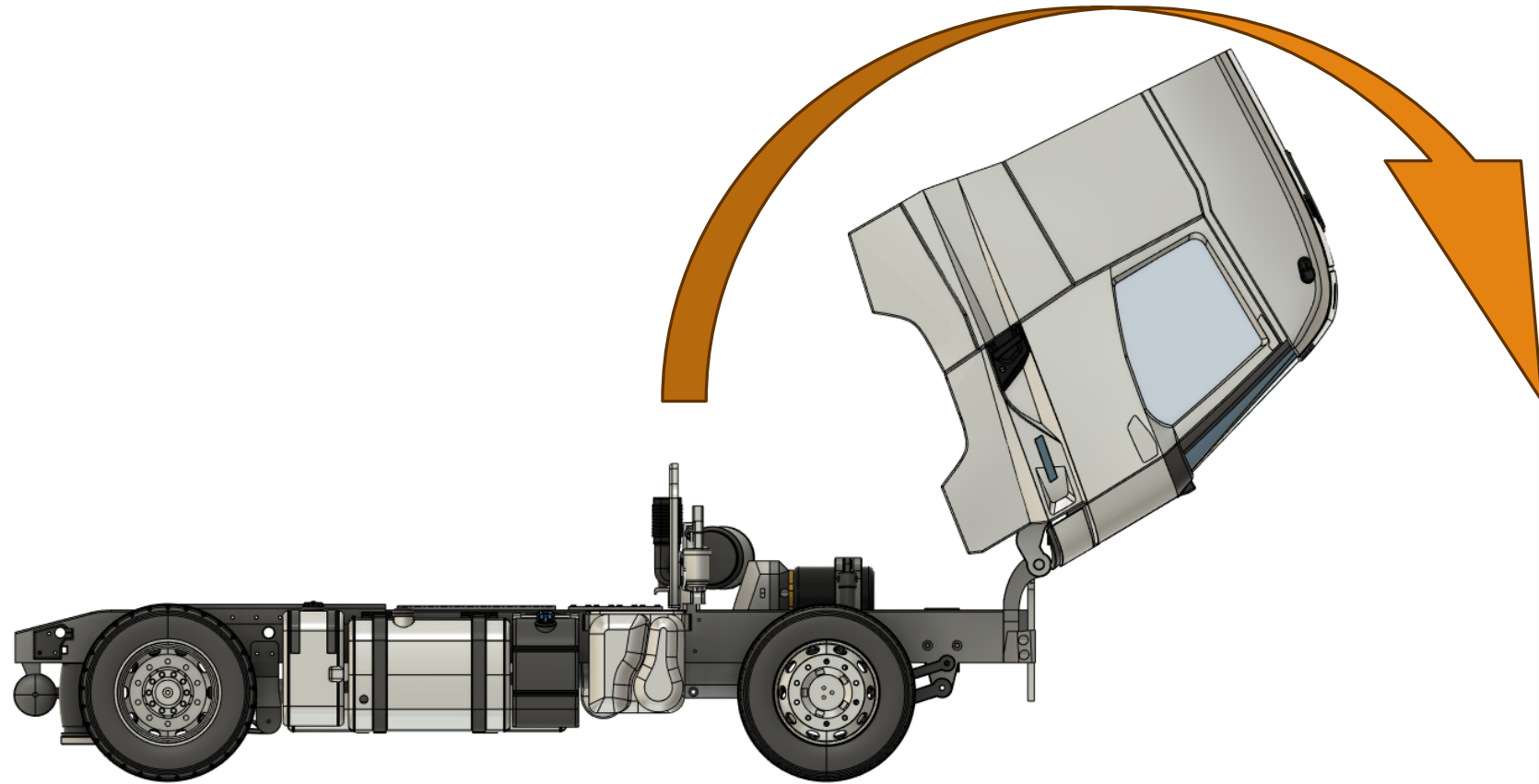
Cabin



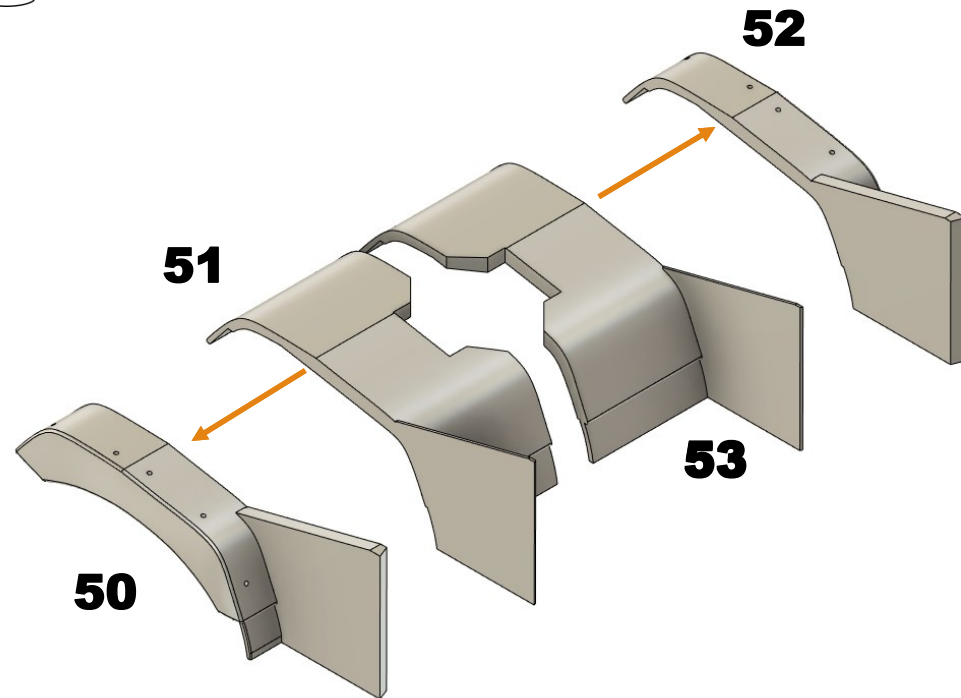
Cabin



Cabin

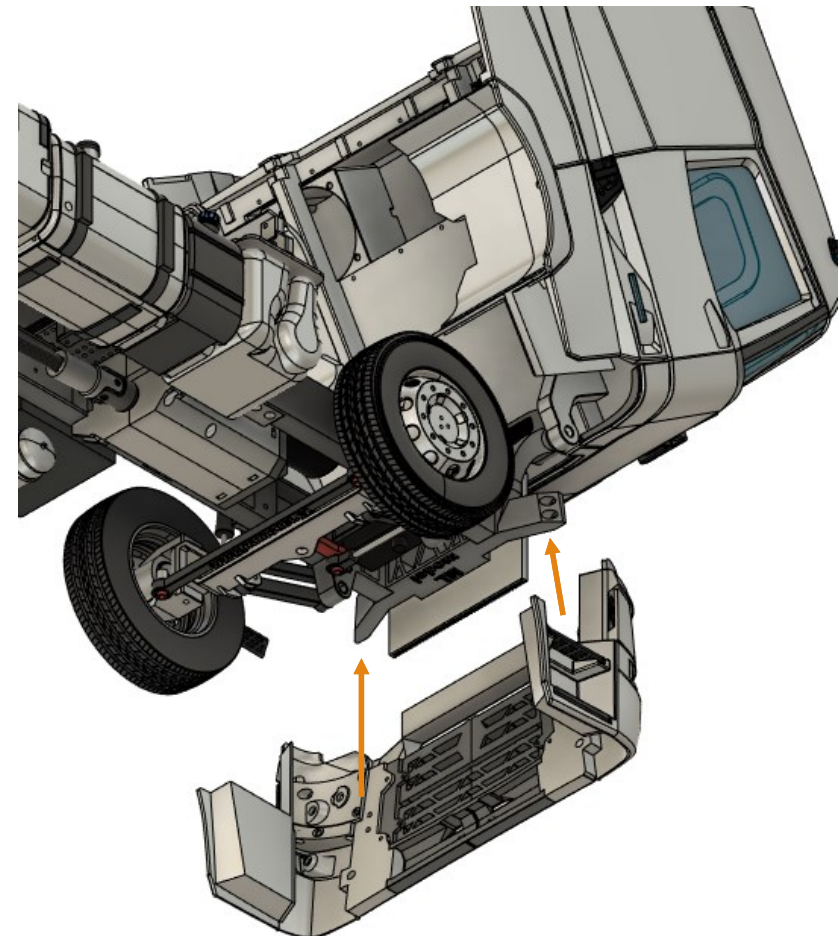
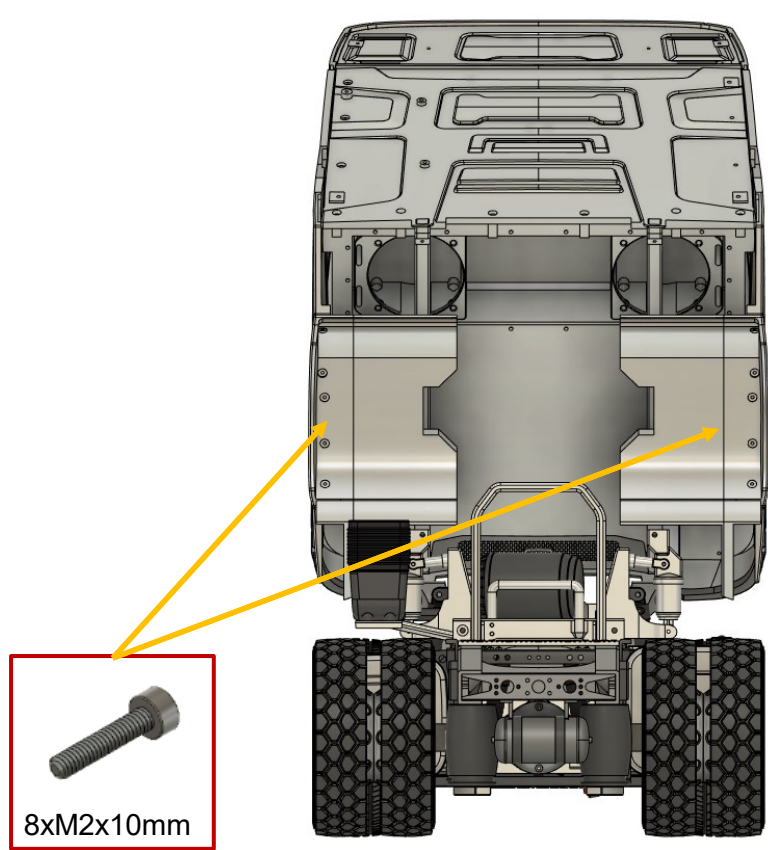


Cabin

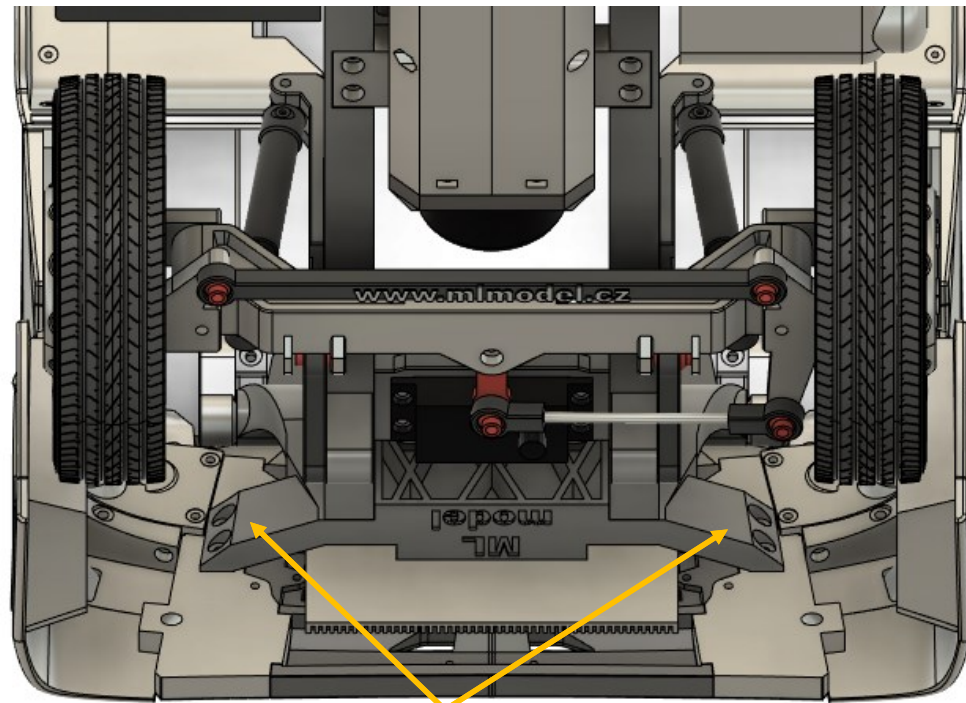


Aktivujte Wi

Cabin

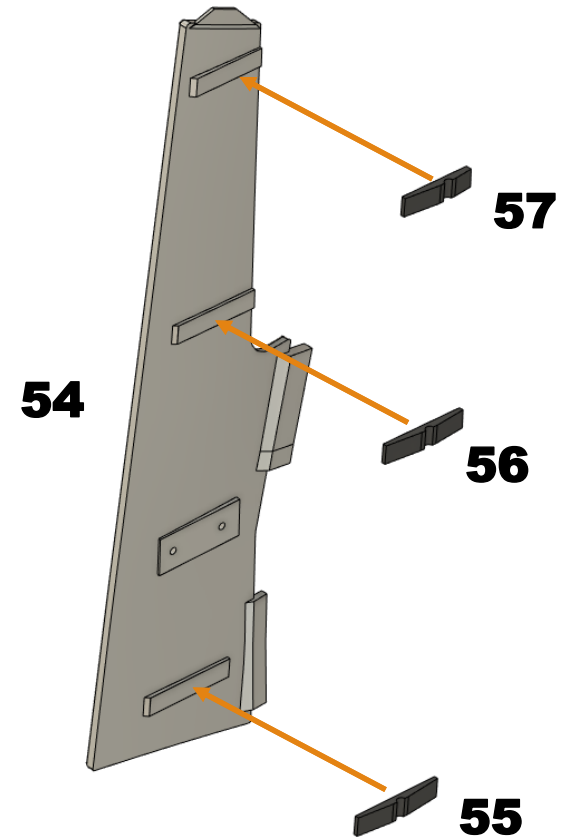
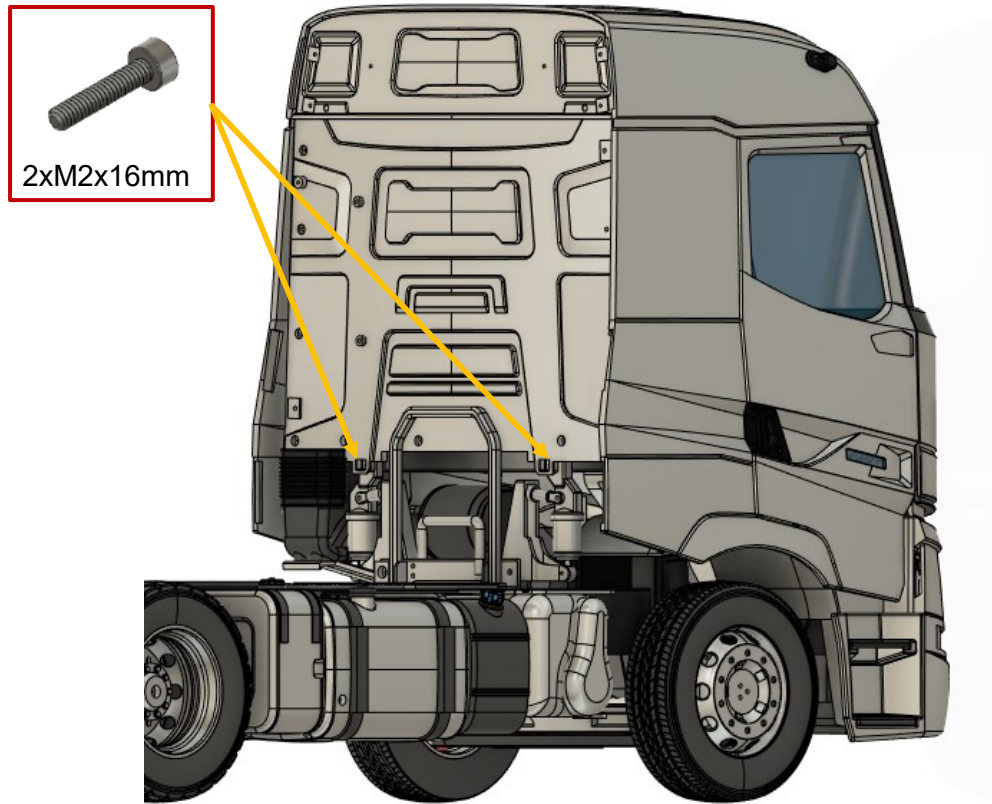


Cabin

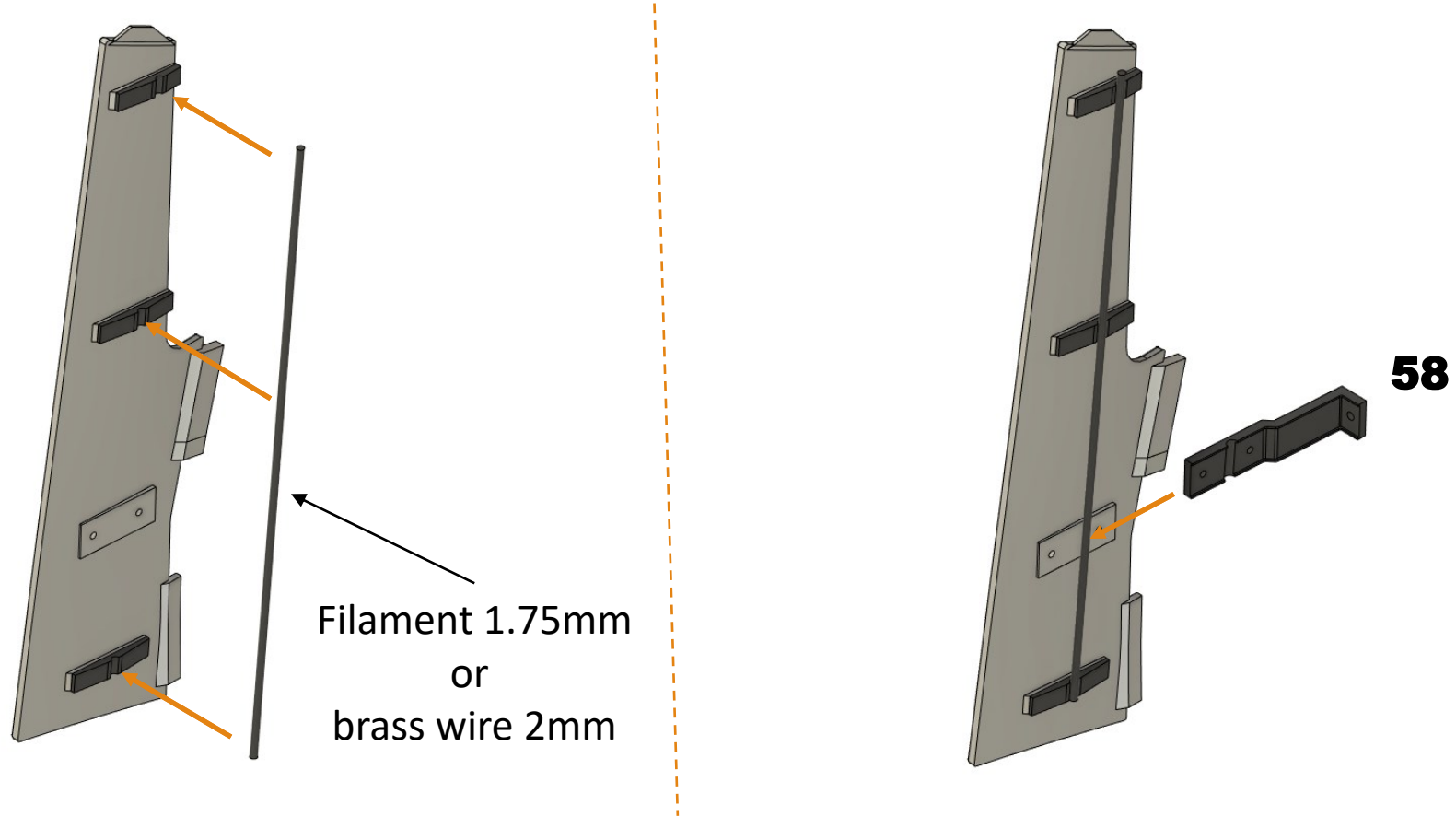


Cabin

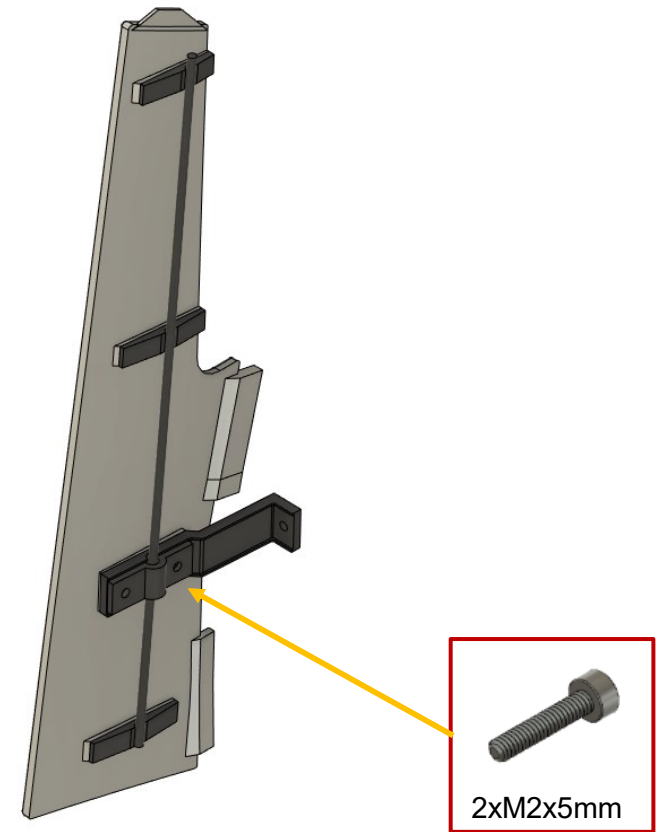
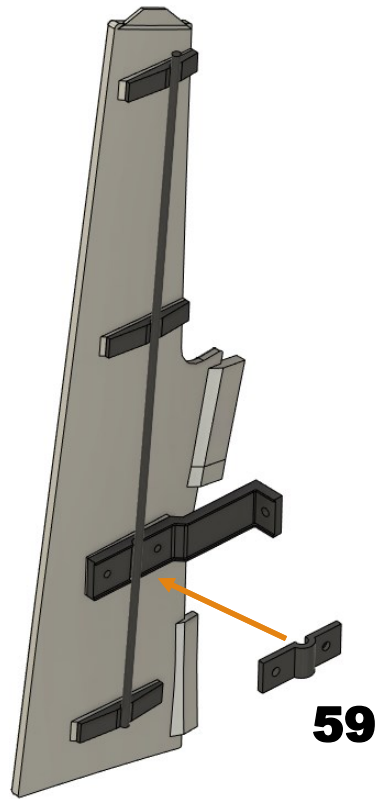
For the sake of clarity, the guide will continue without showing some components.



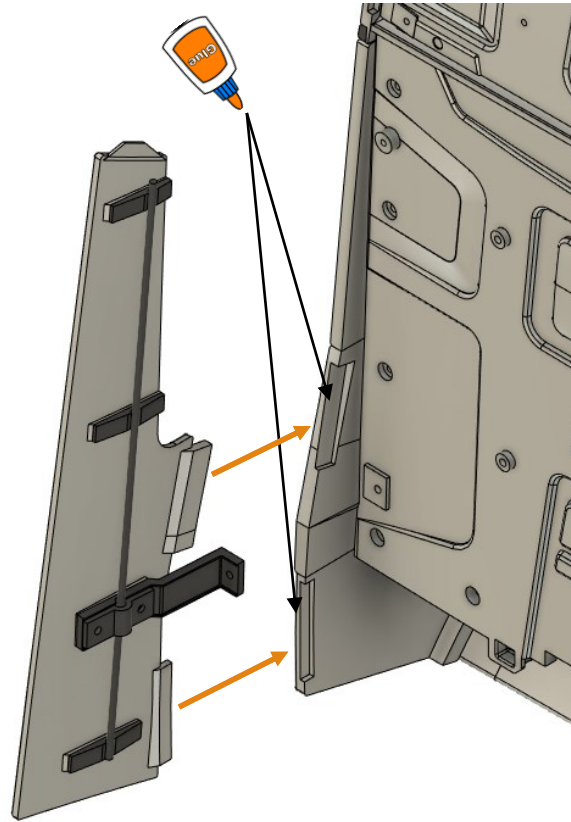
Cabin



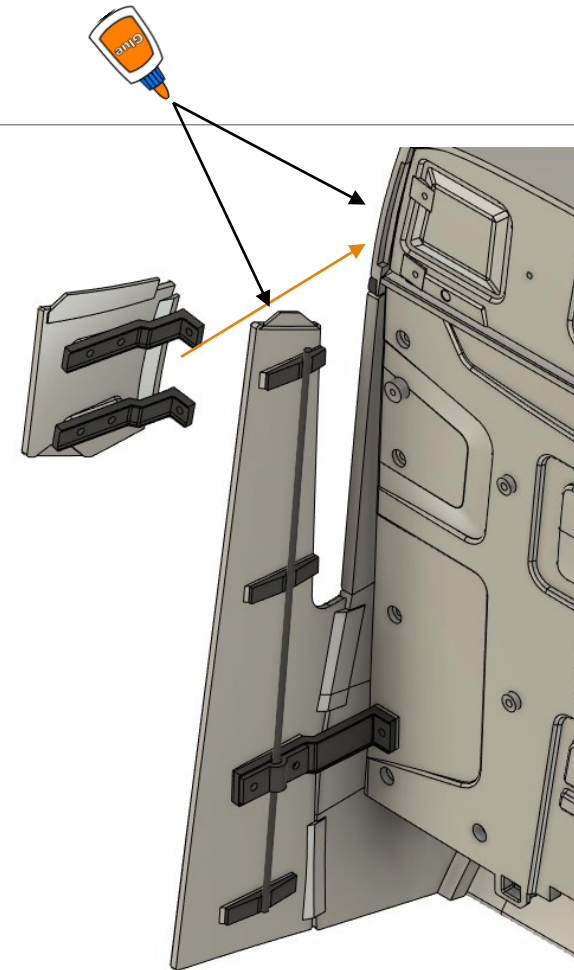
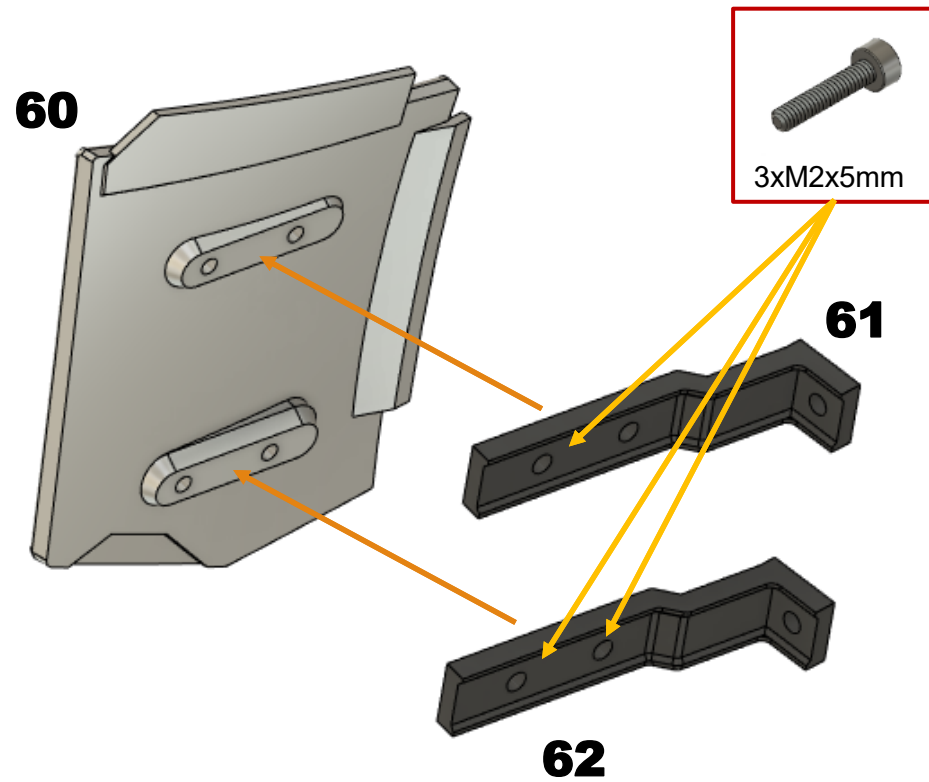
Cabin



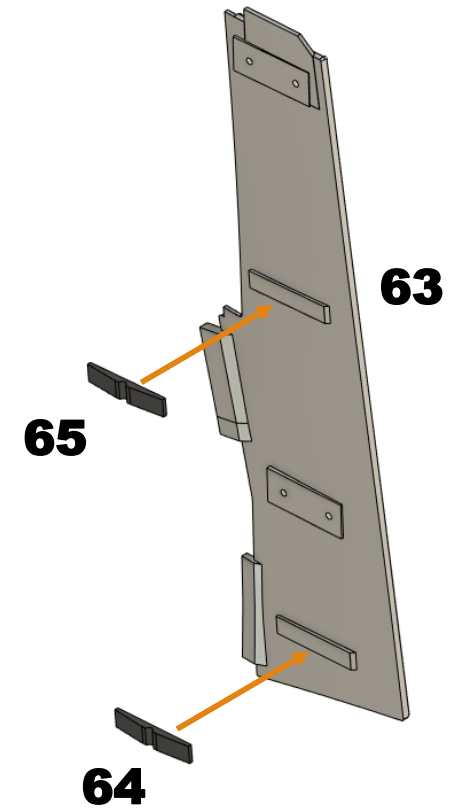
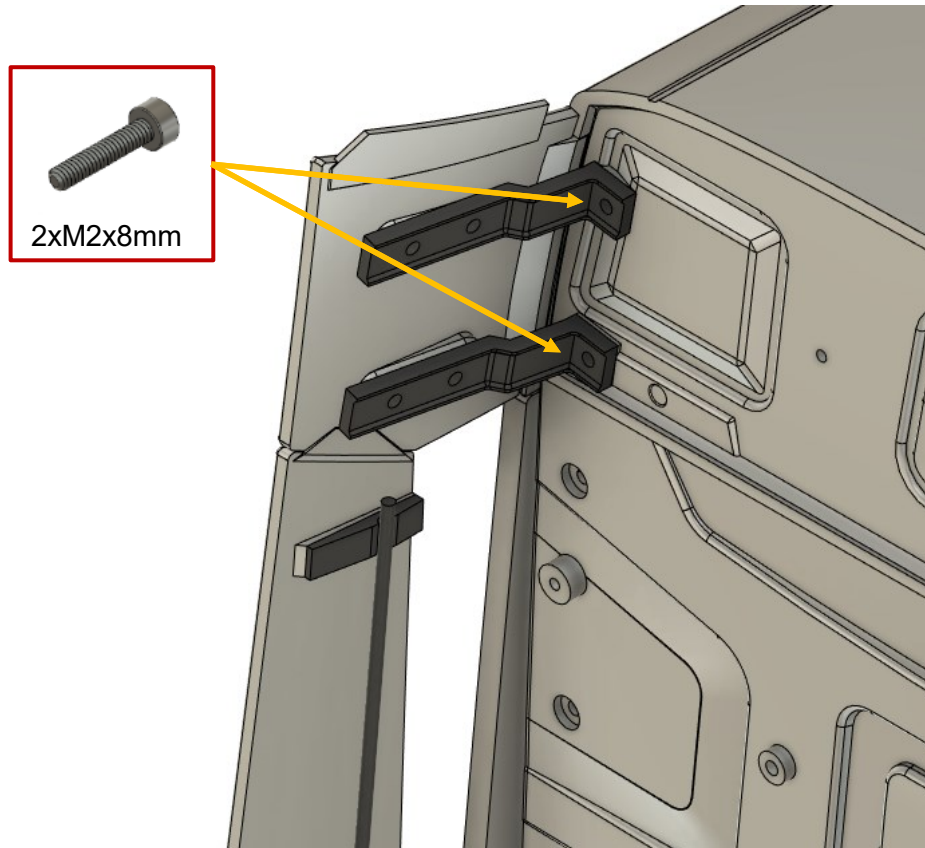
Cabin



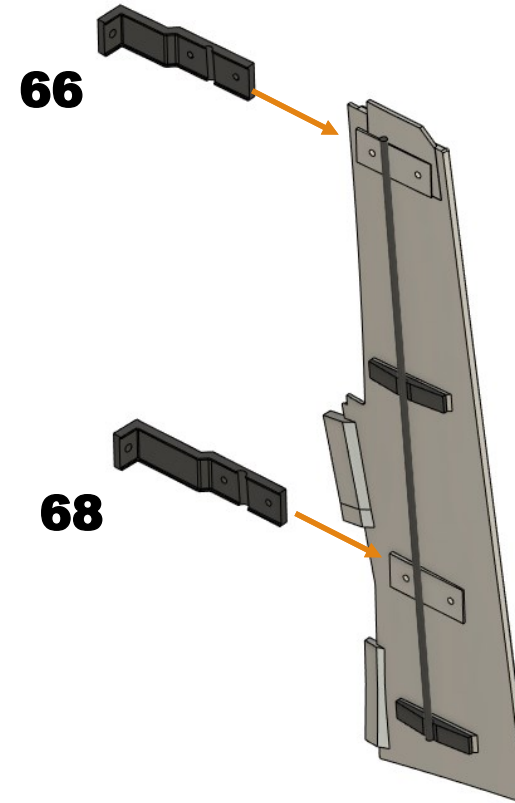
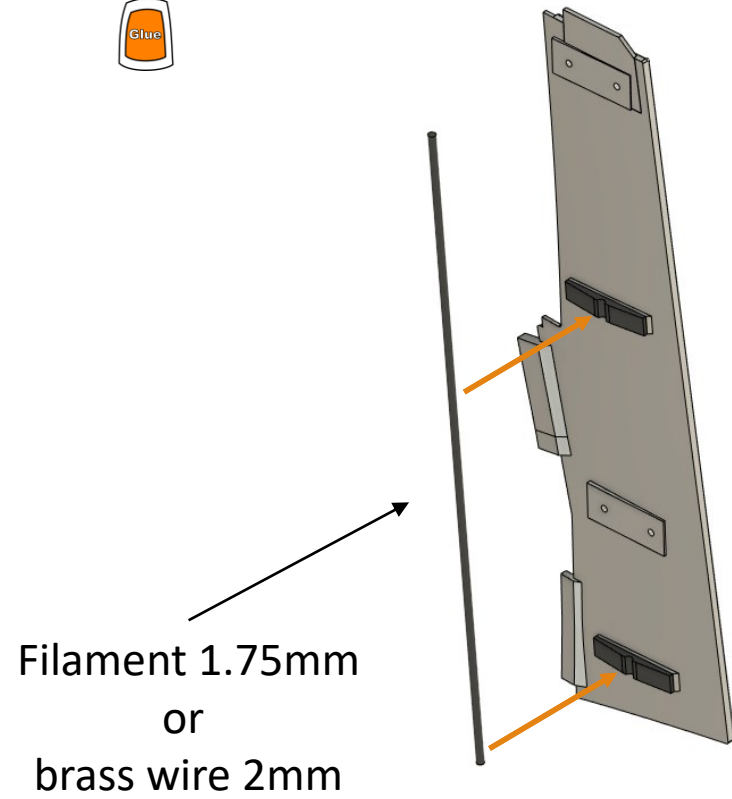
Cabin



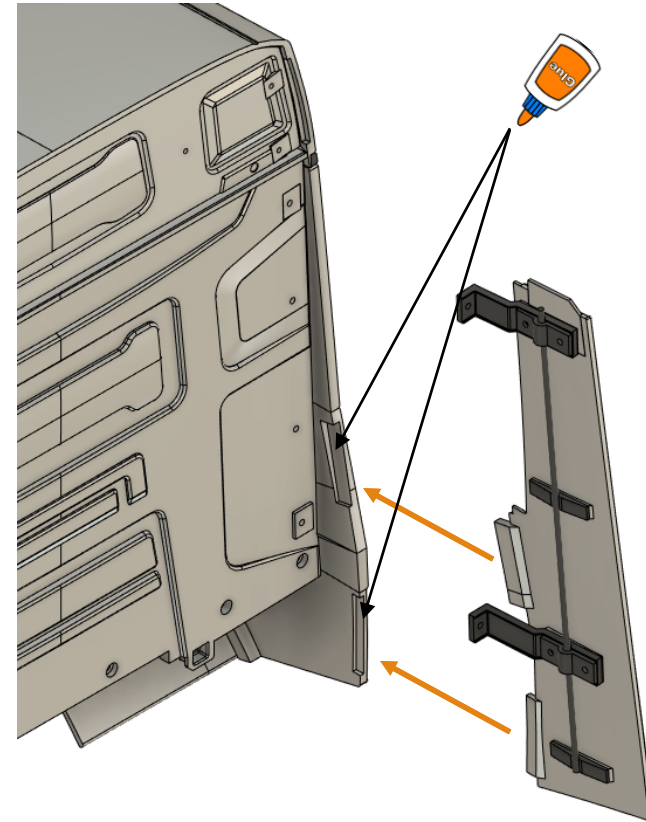
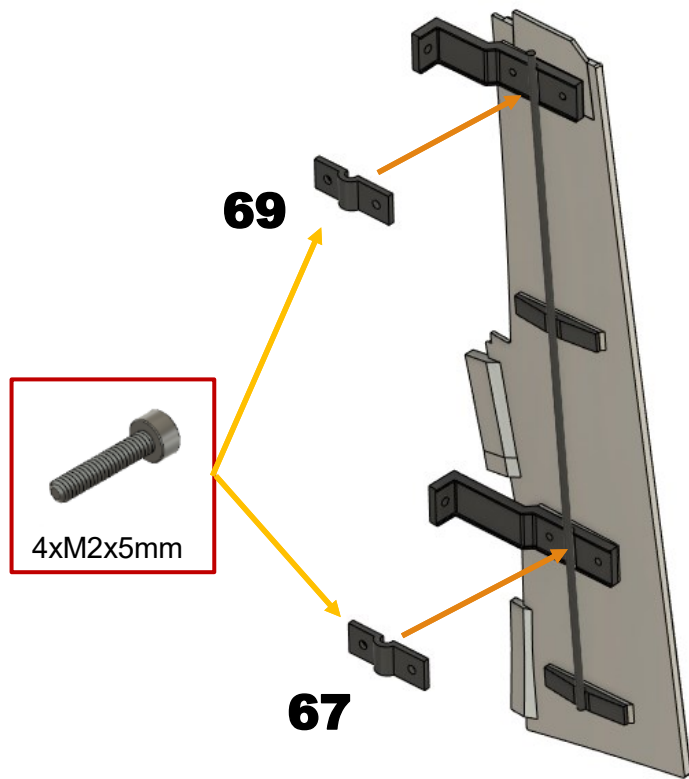
Cabin



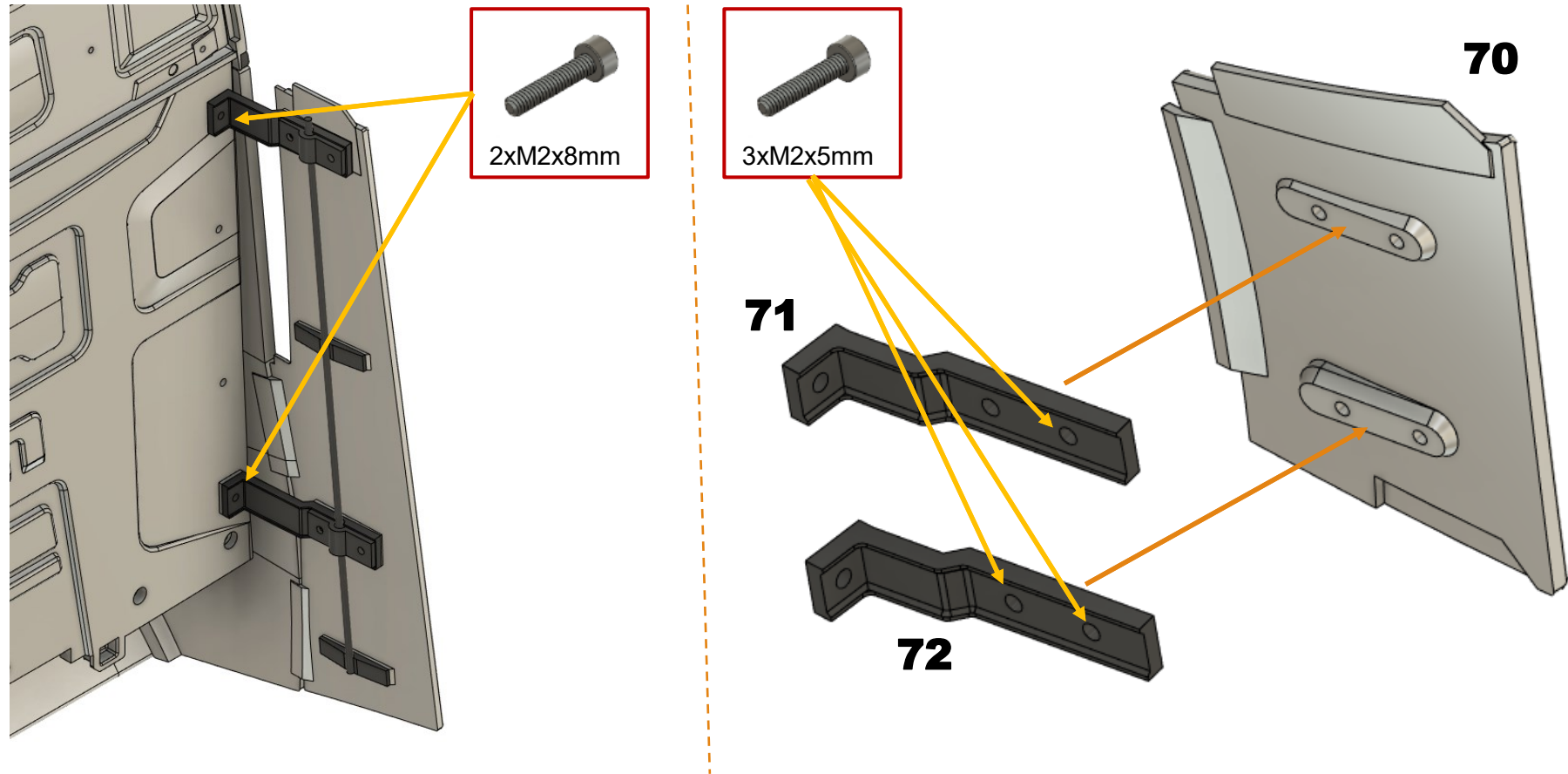
Cabin



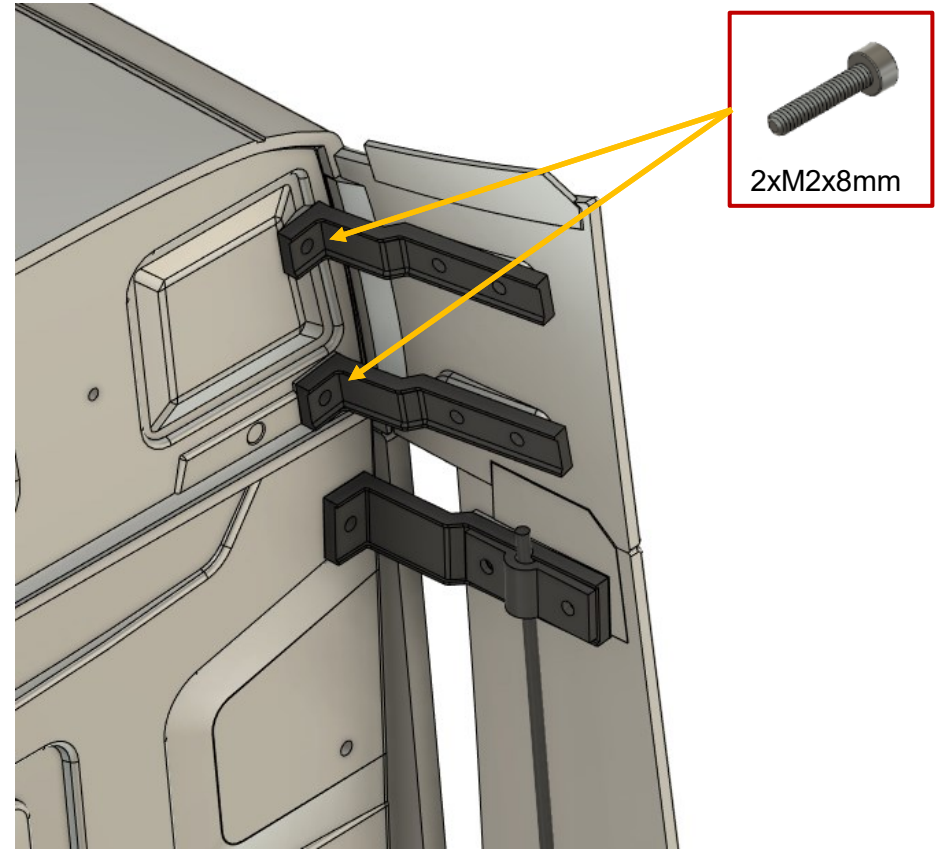
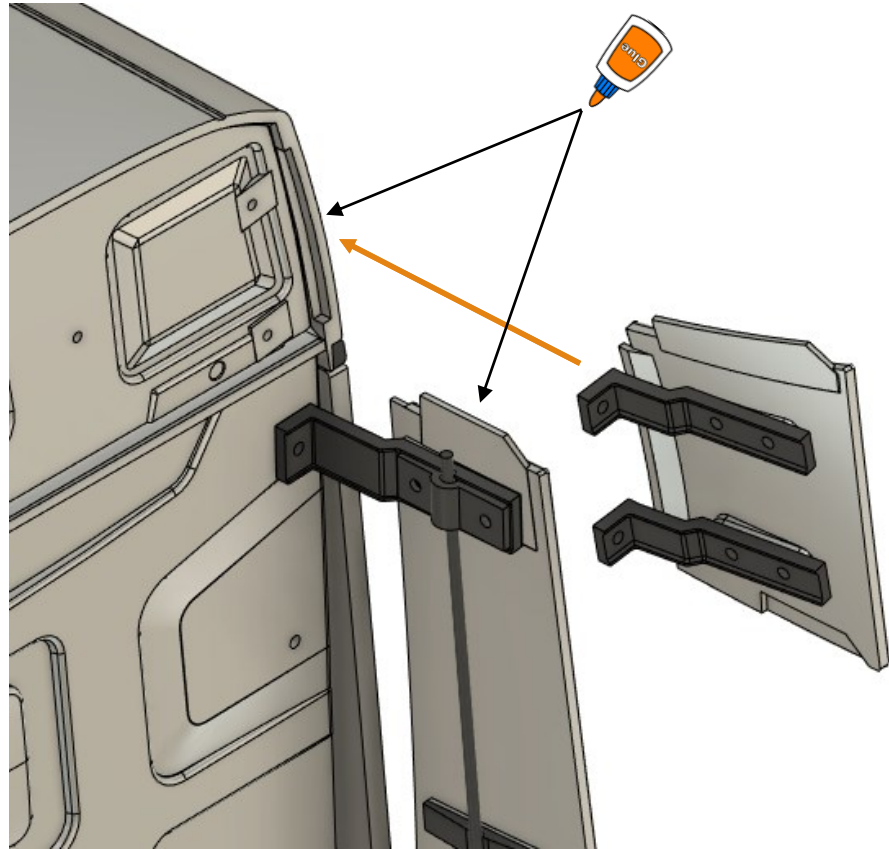
Cabin



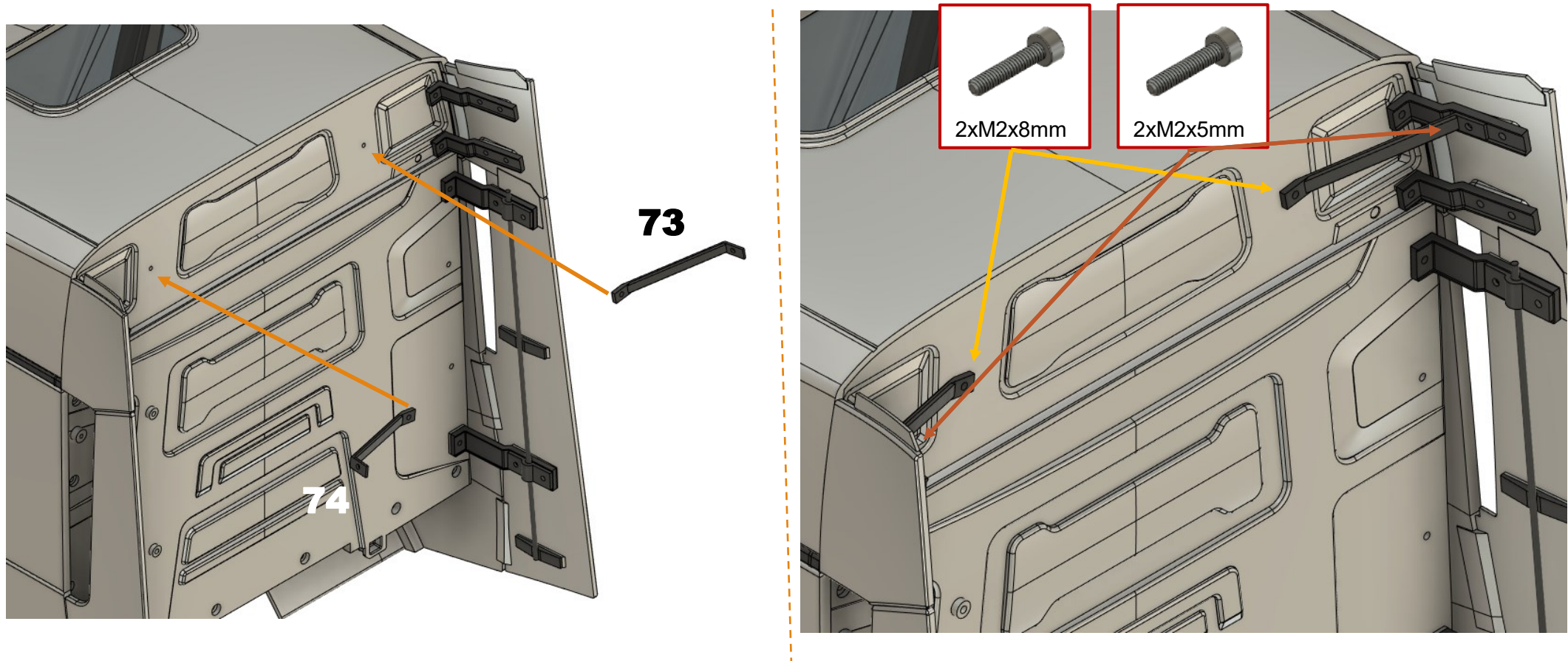
Cabin



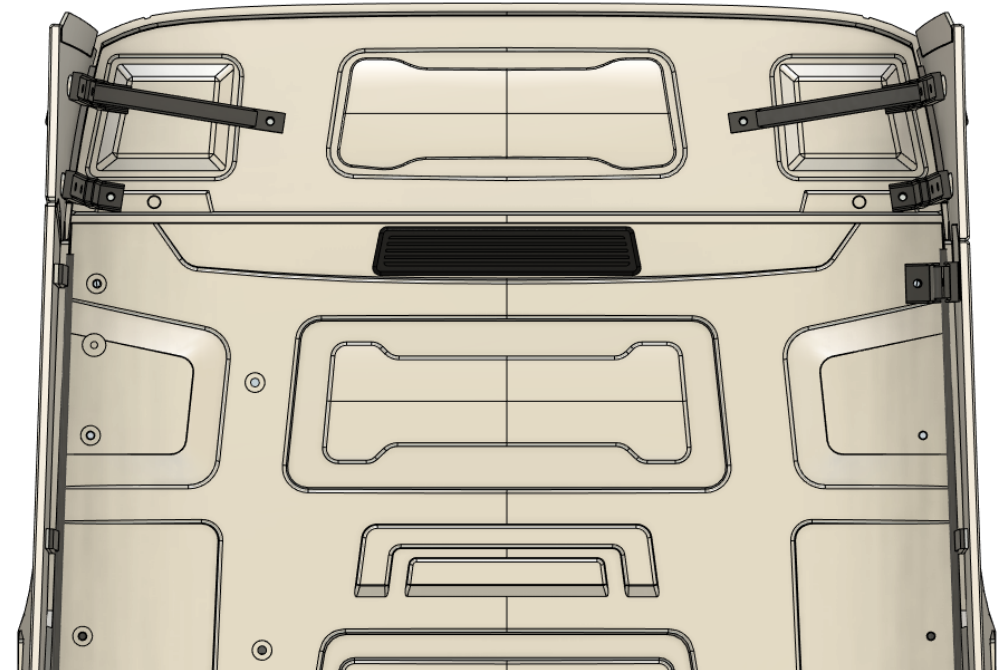
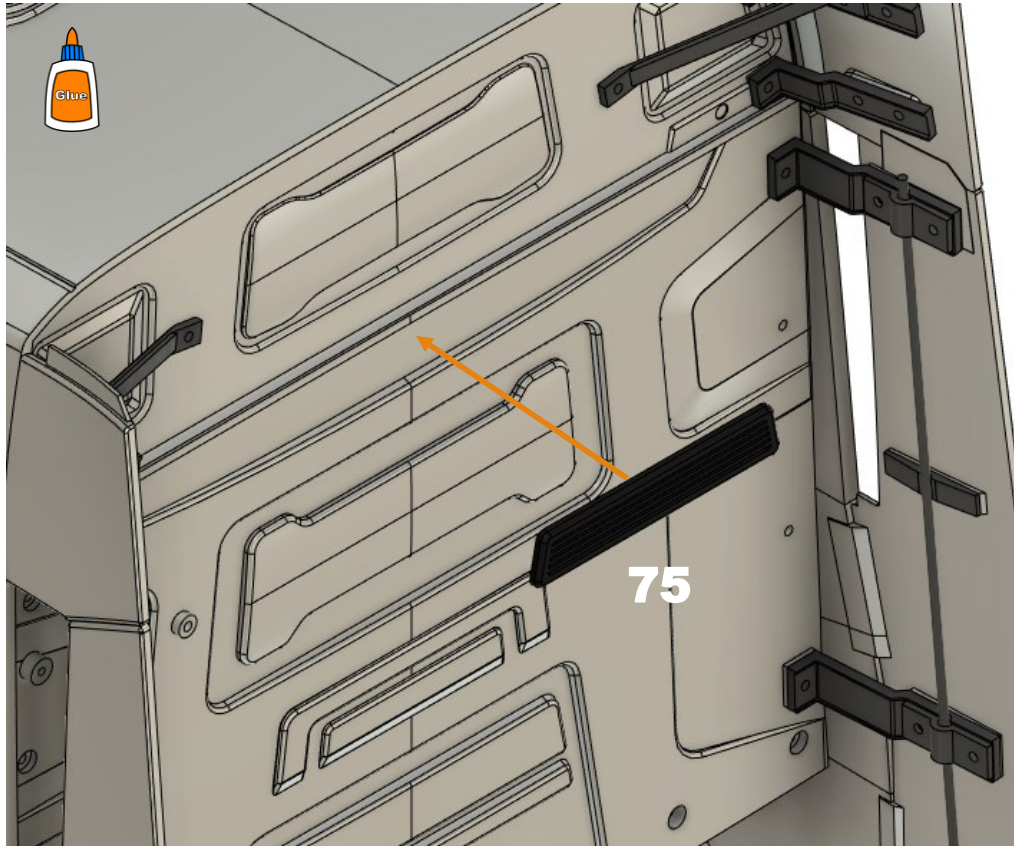
Cabin



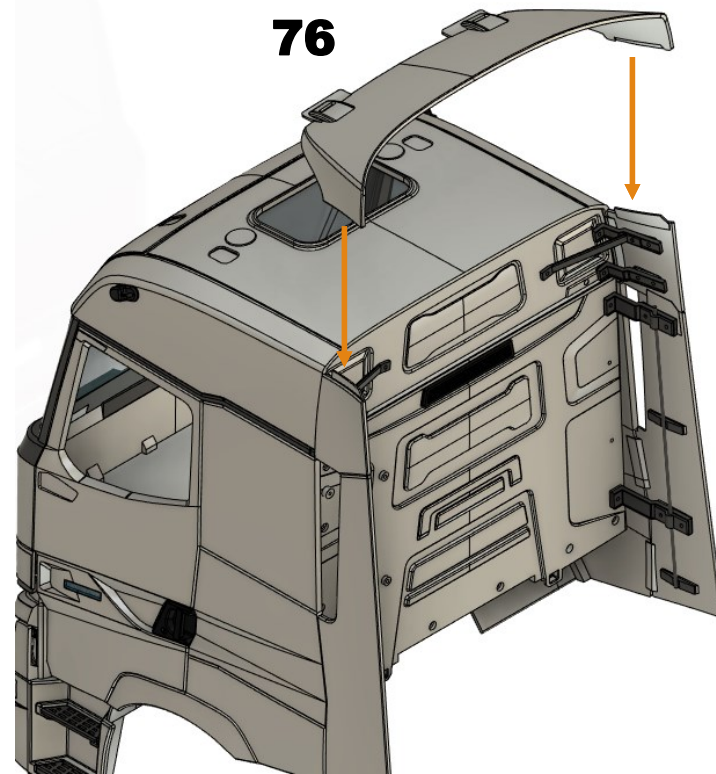
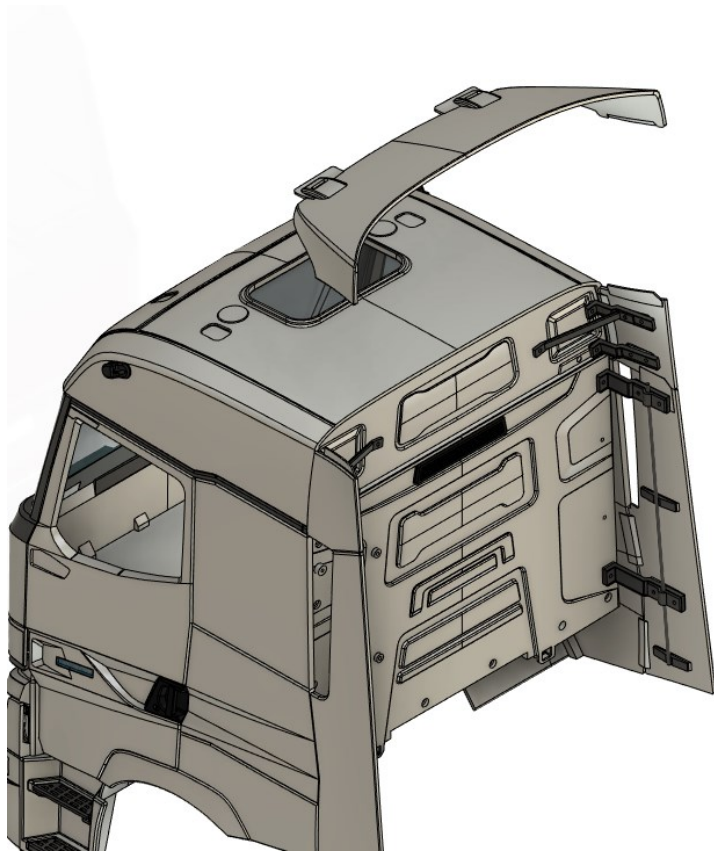
Cabin



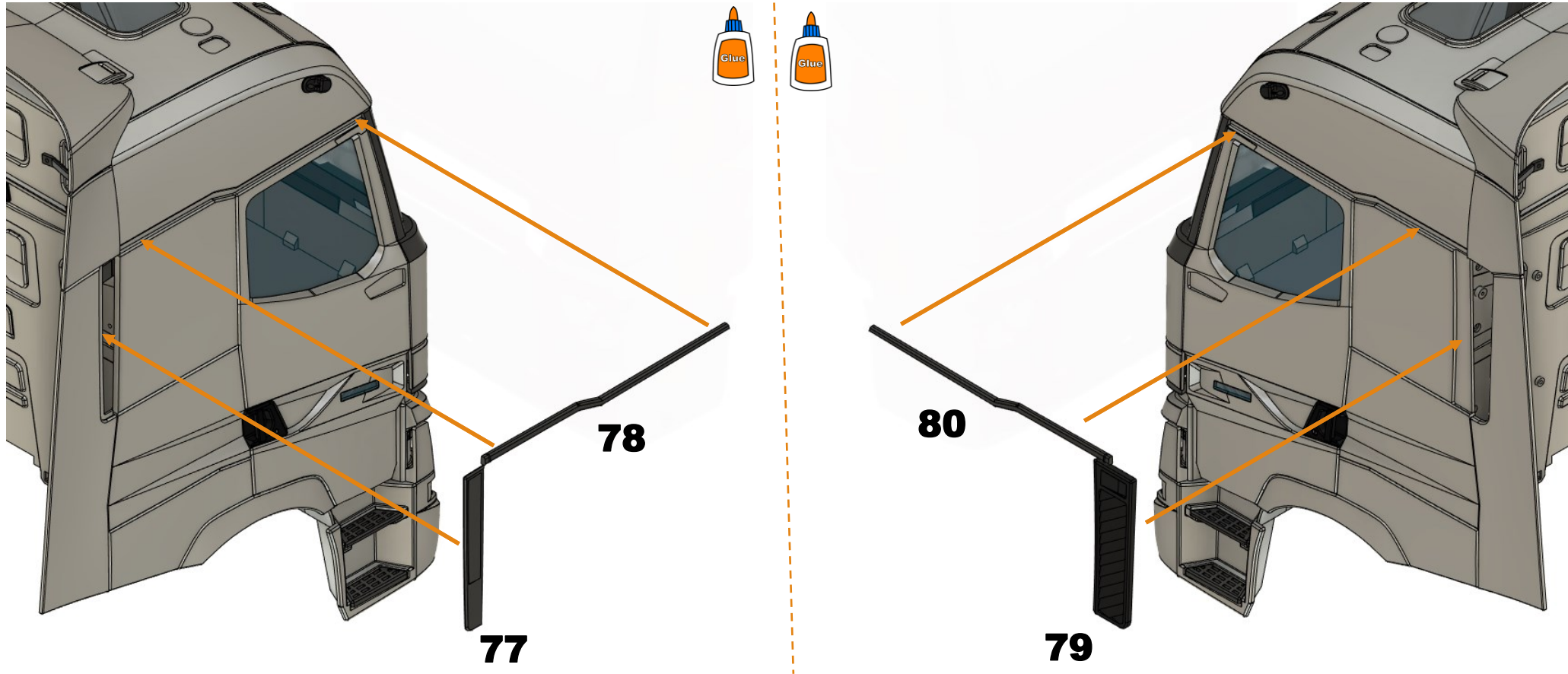
Cabin



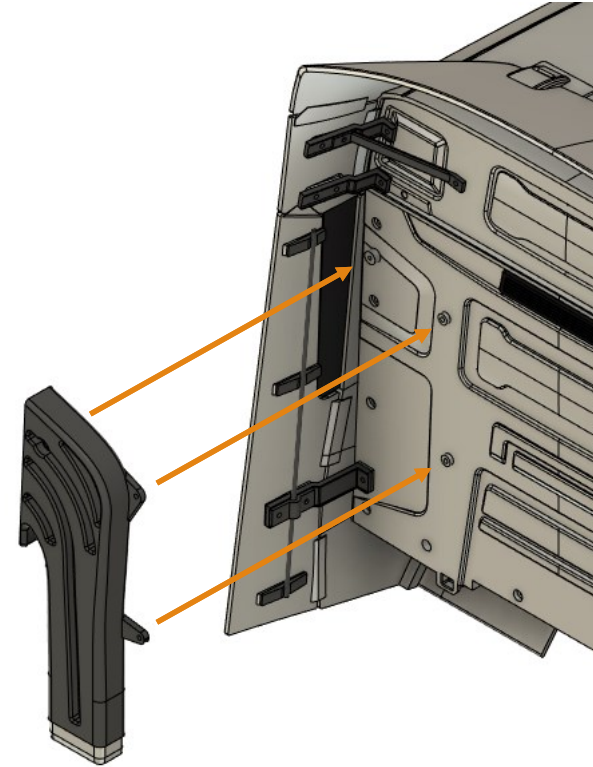
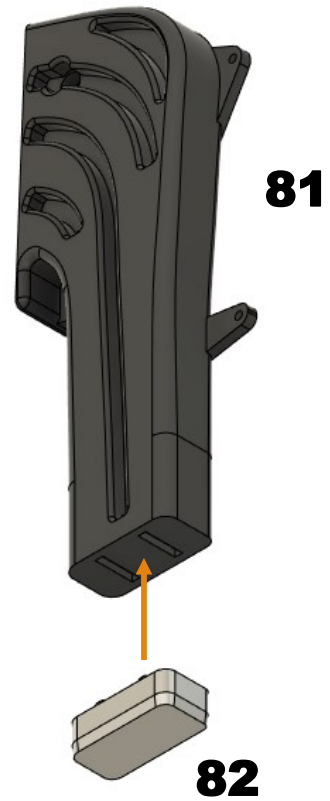
Cabin



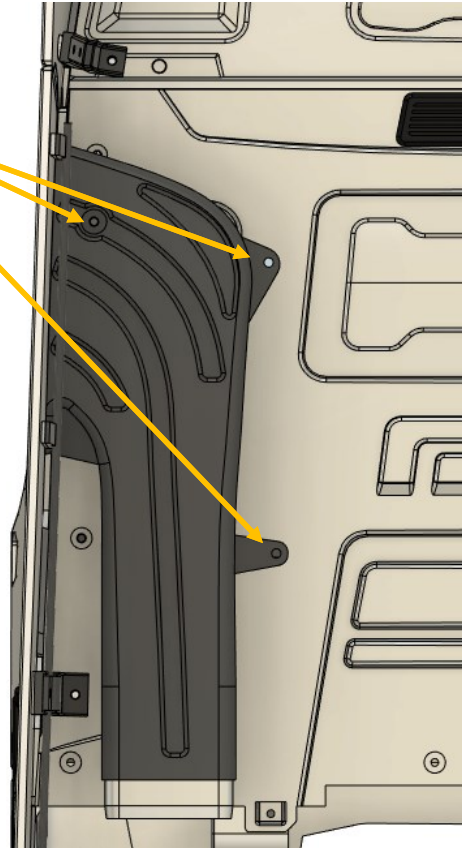
Cabin



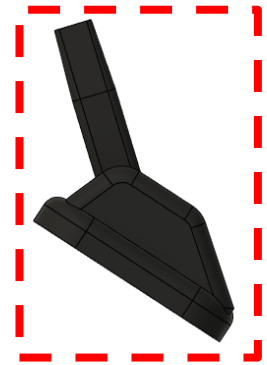
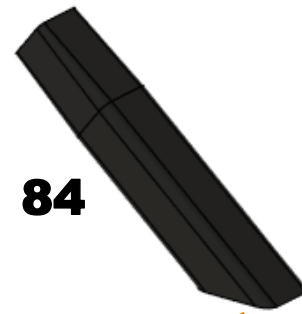
Cabin



Cabin



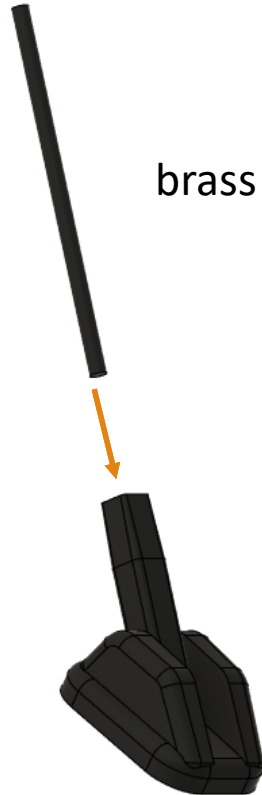
2x



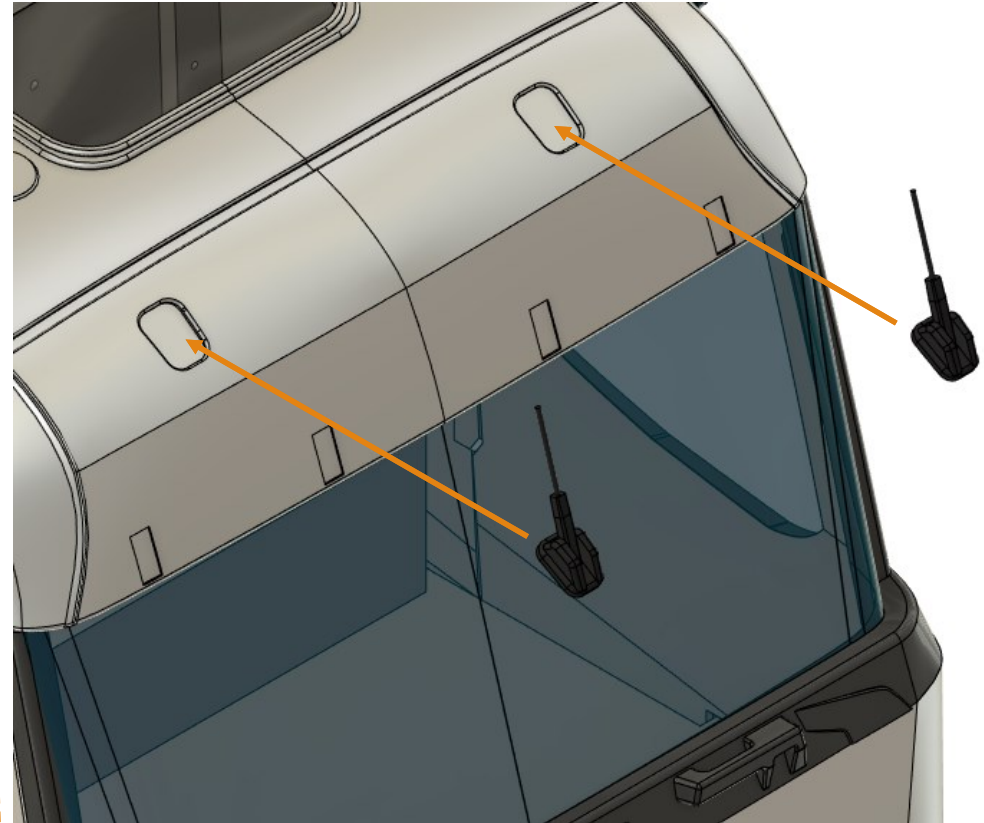
Cabin



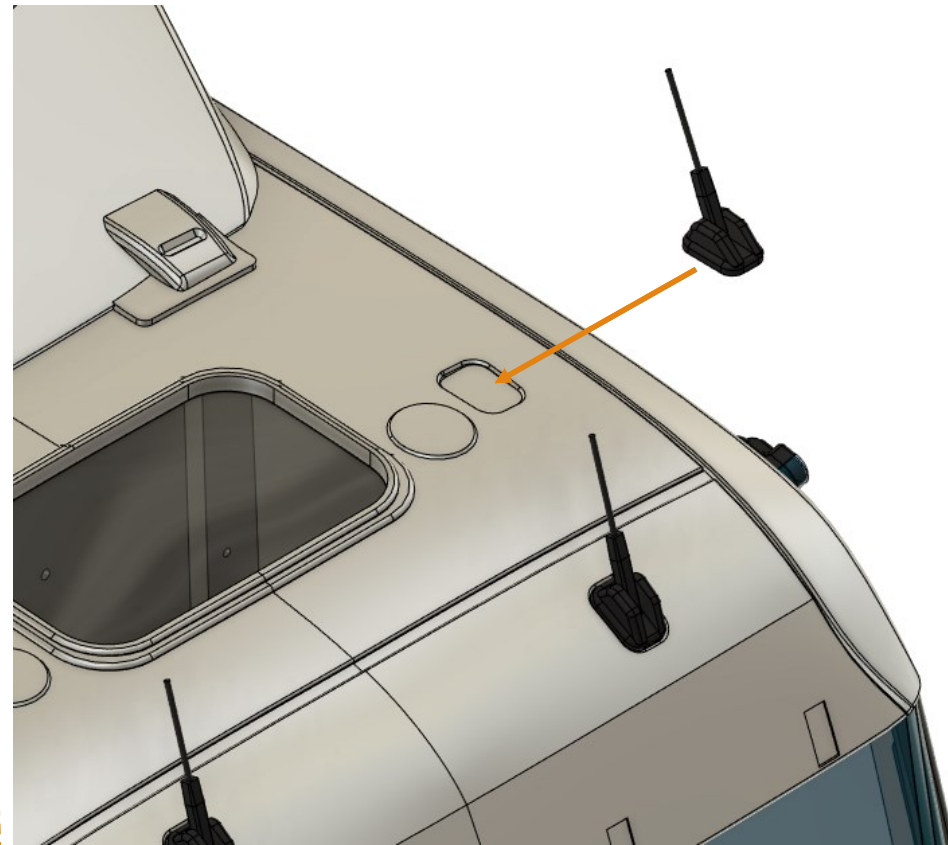
2x



Steel
or
brass wire 1x28mm



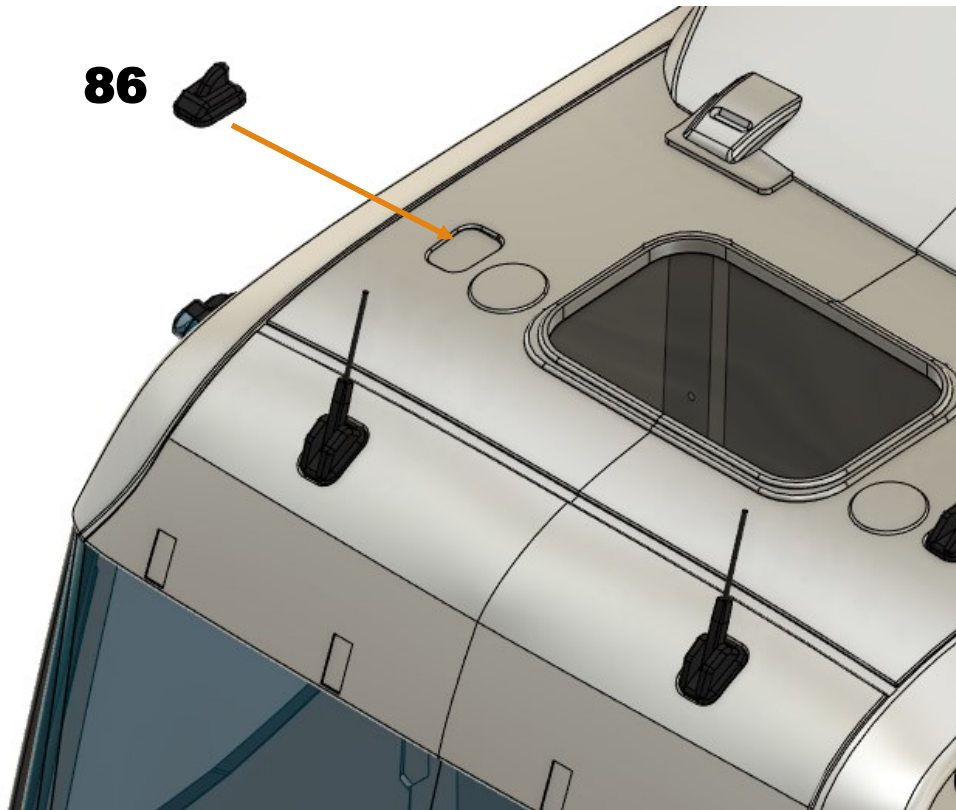
Cabin



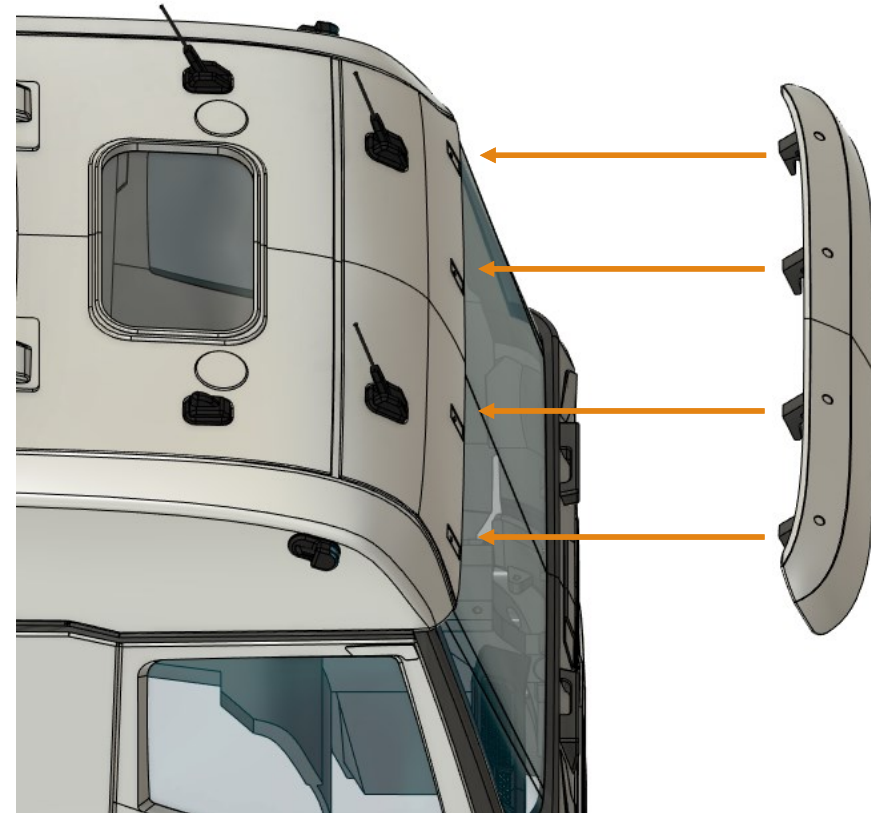
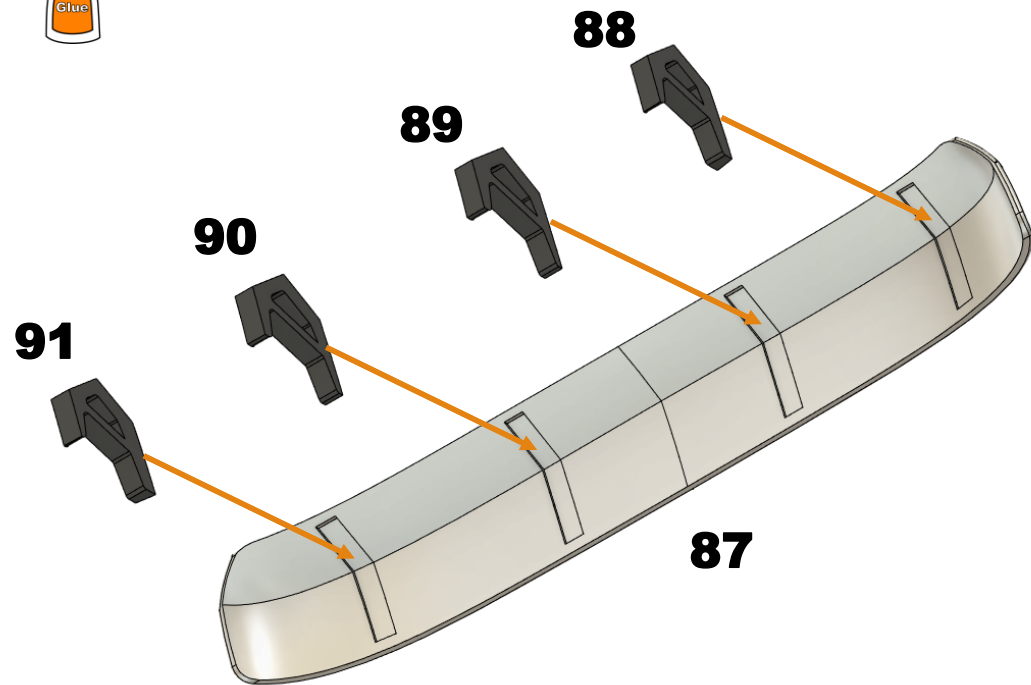
Cabin



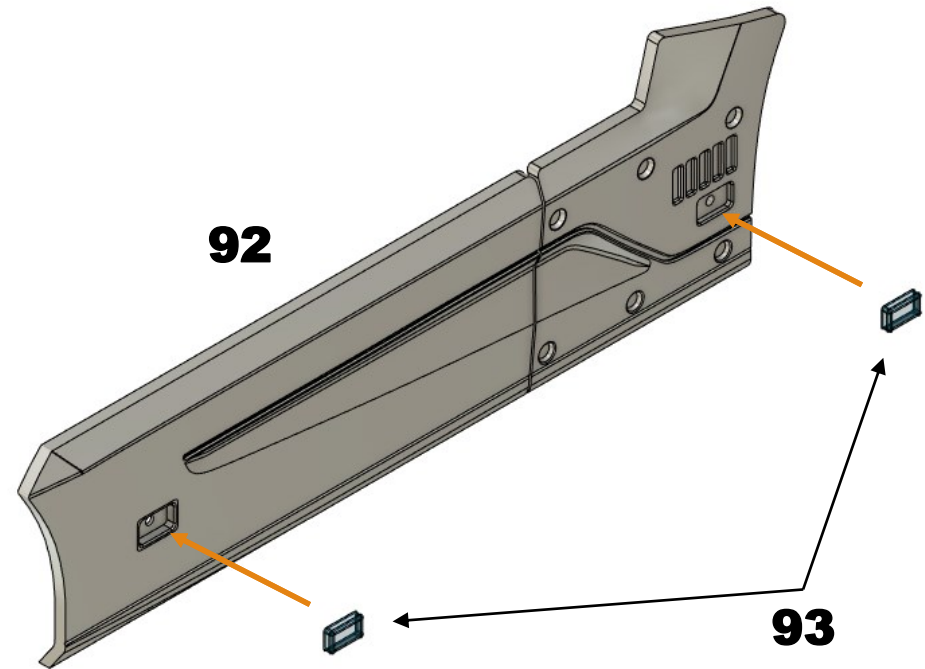
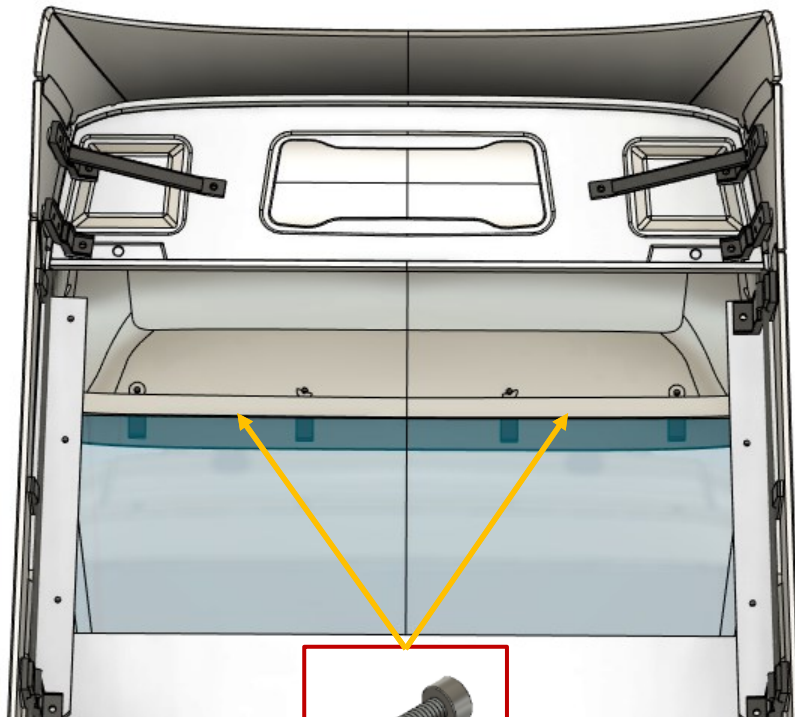
86



Cabin

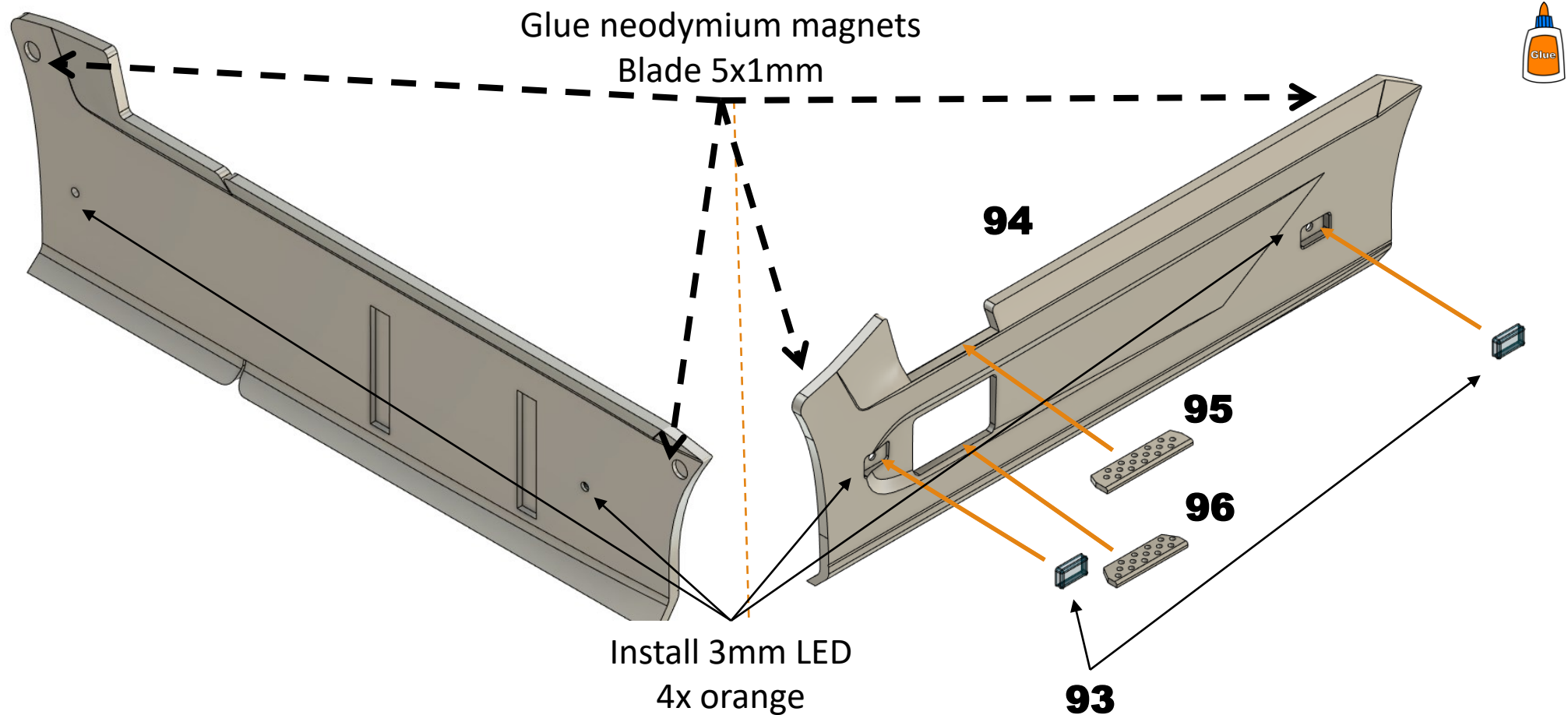


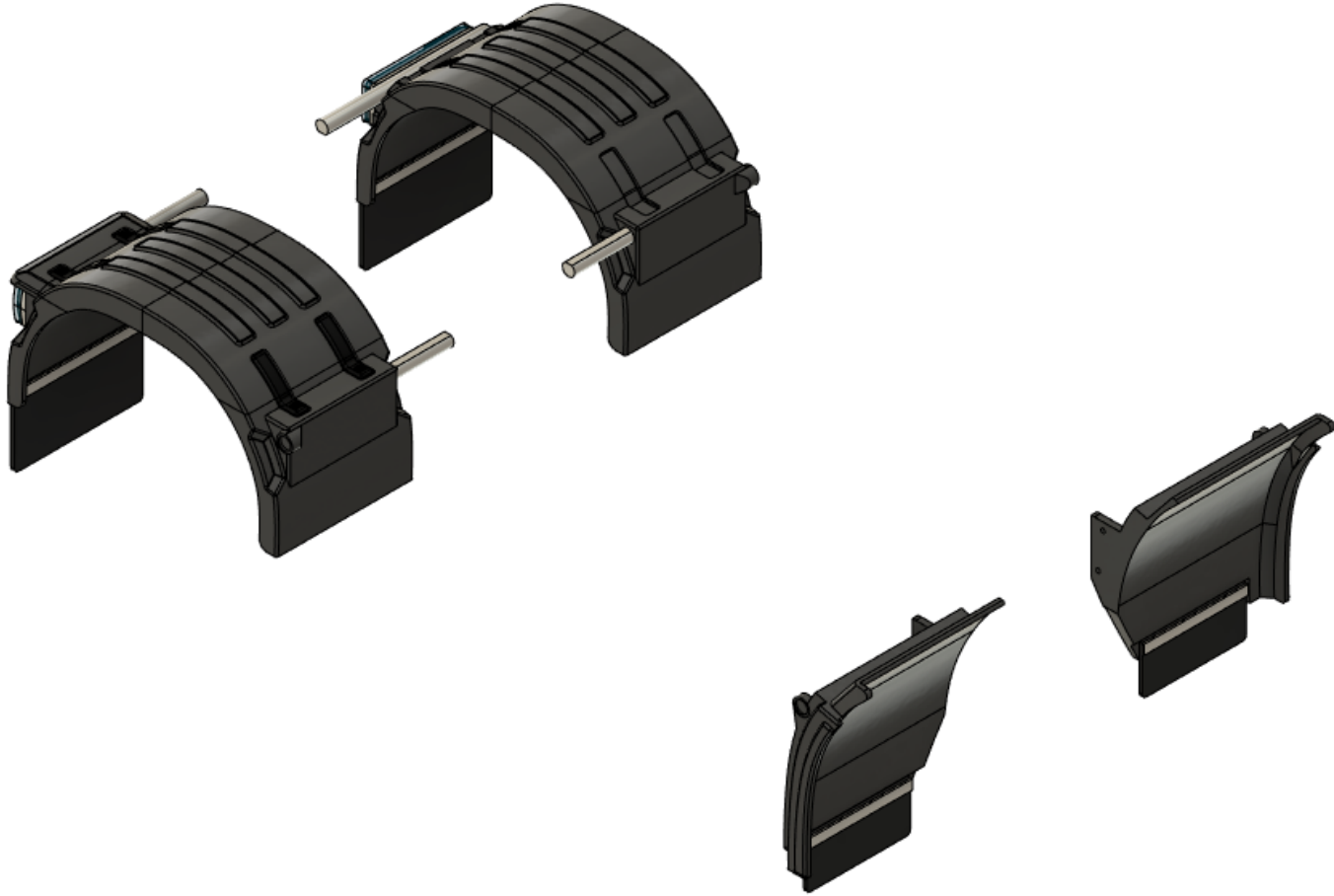
Cabin



Cabin

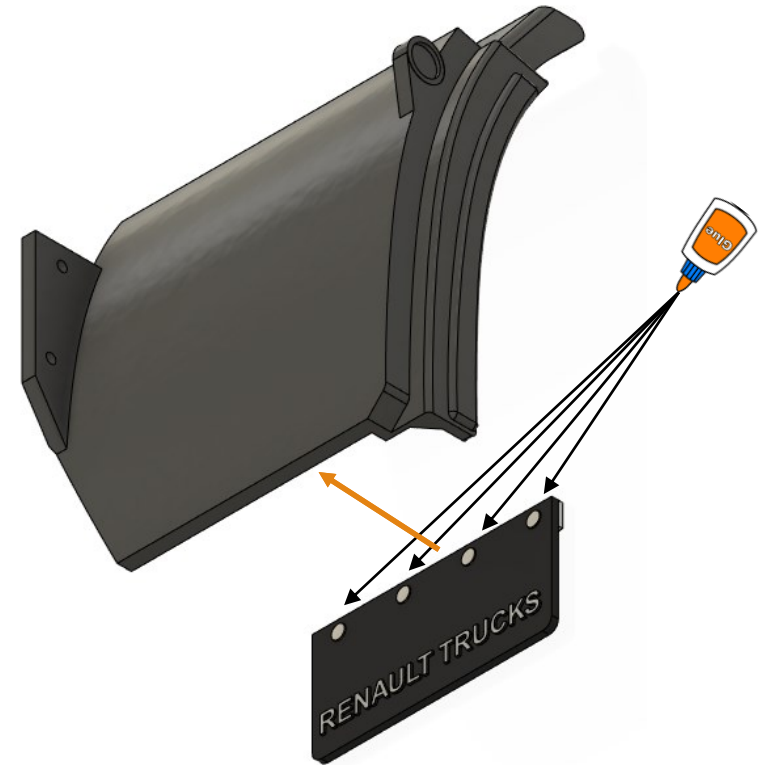
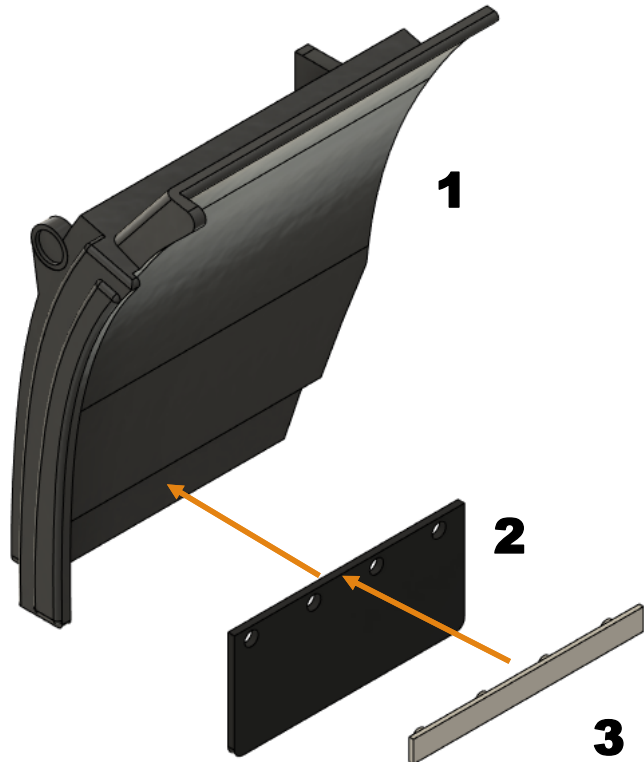
Postpone these part assemblies for later



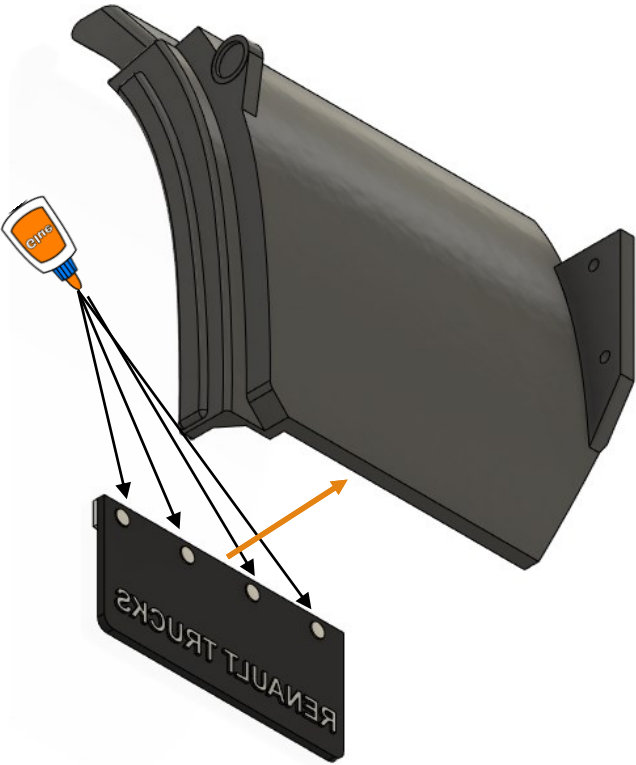
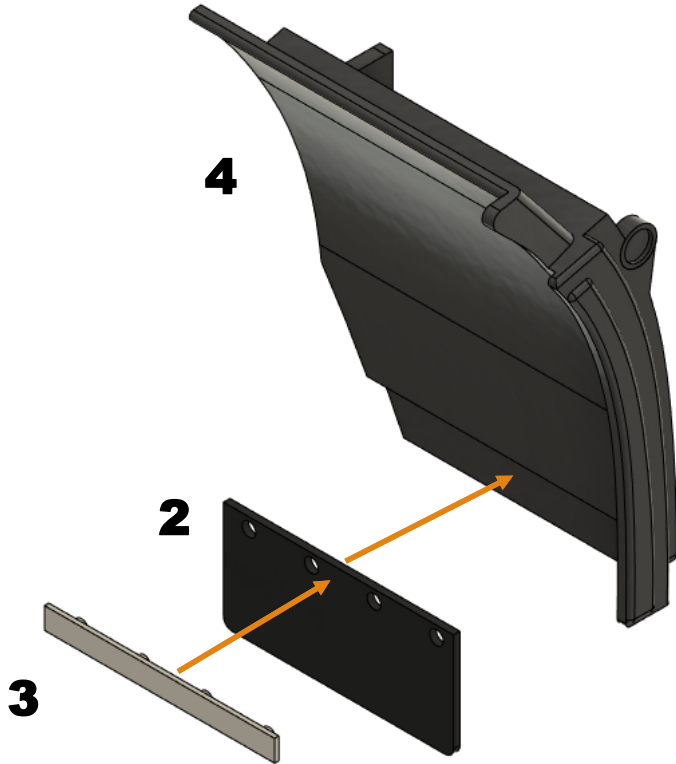


Fenders

Fenders

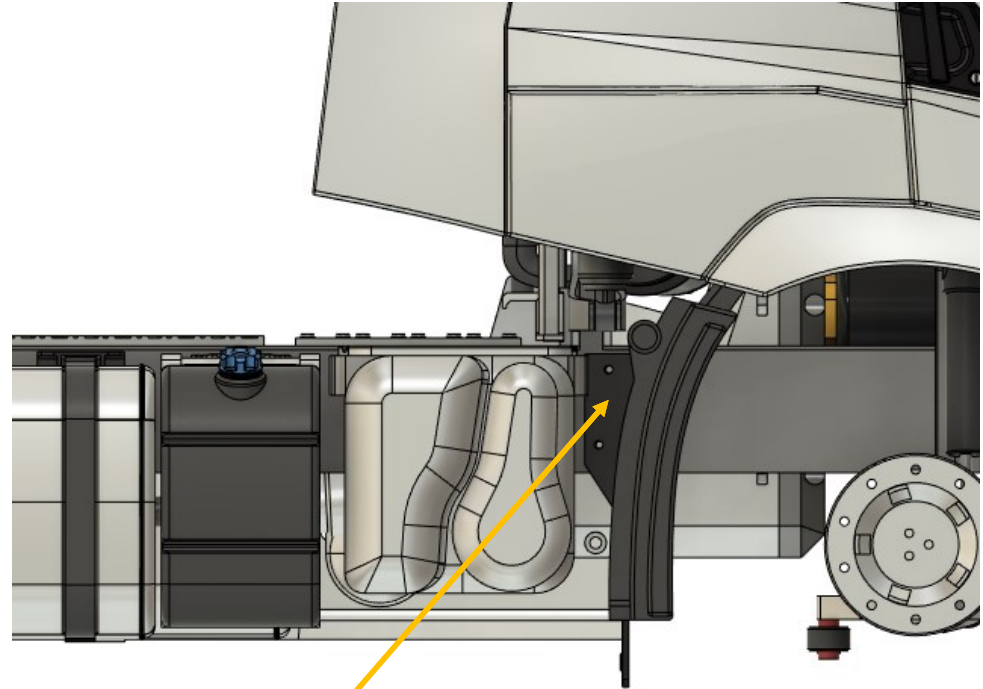
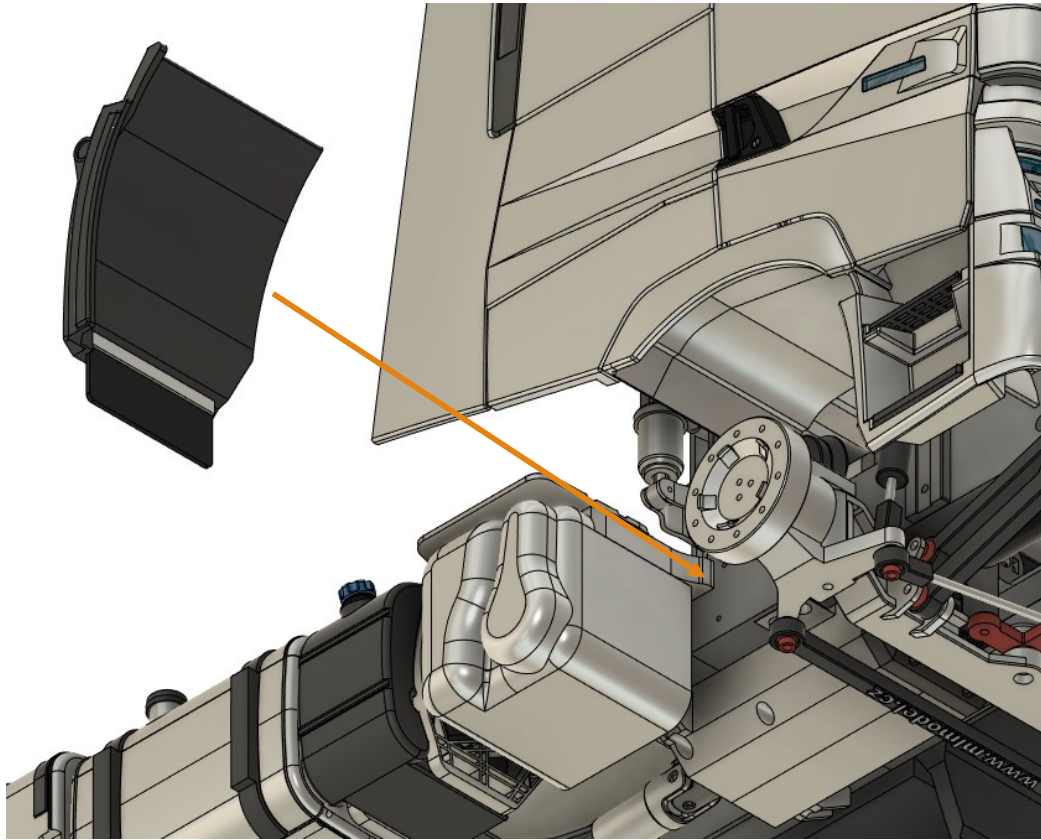


Fenders

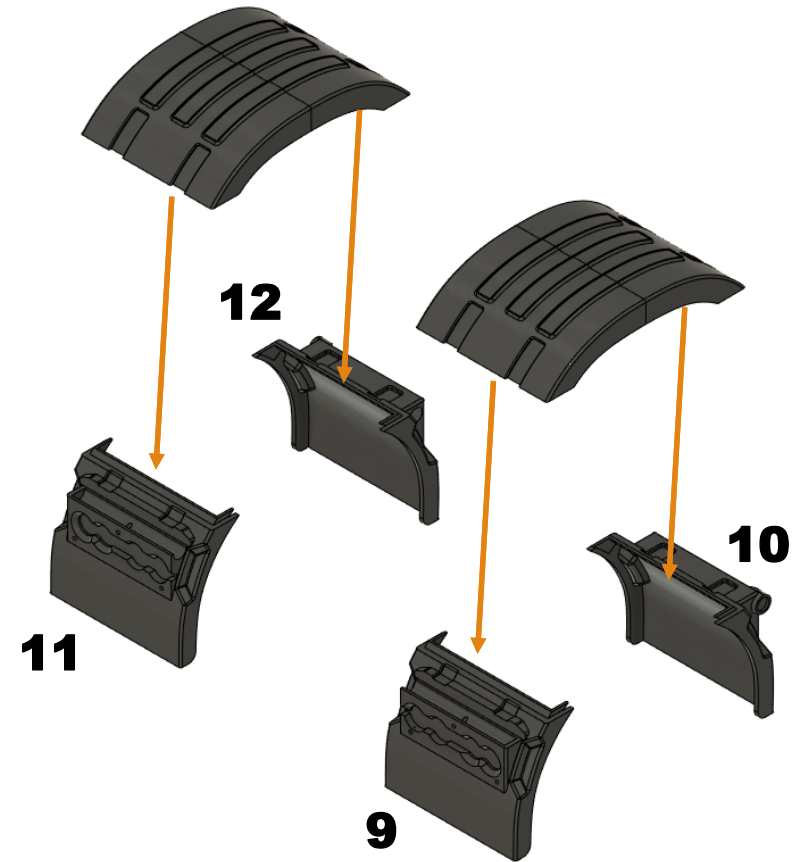
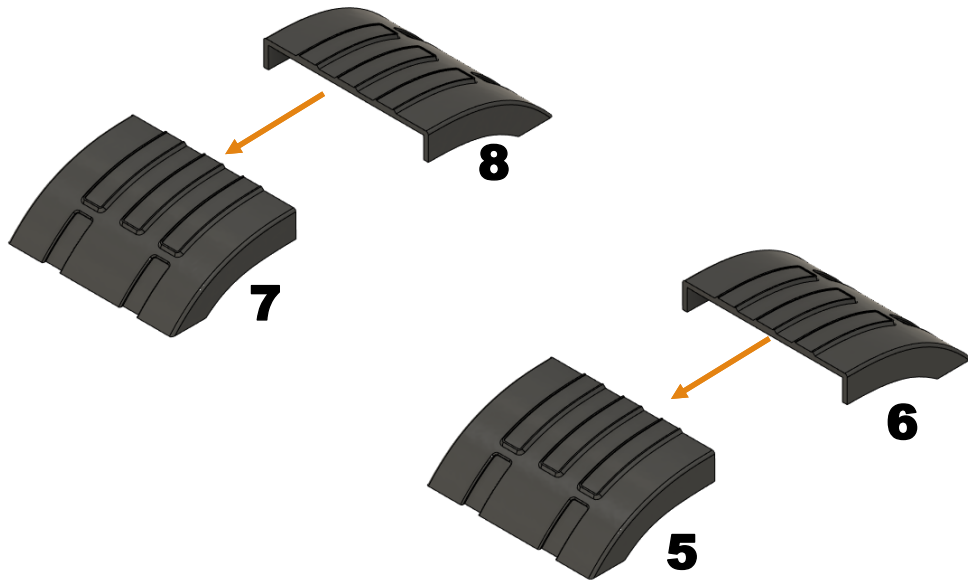


Fenders

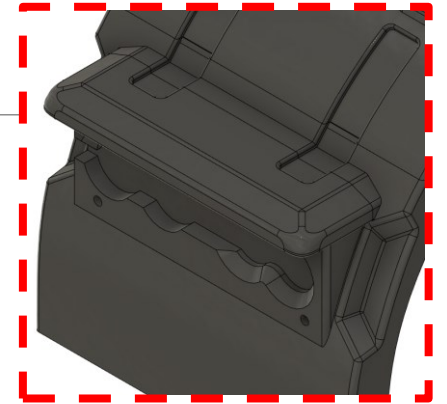
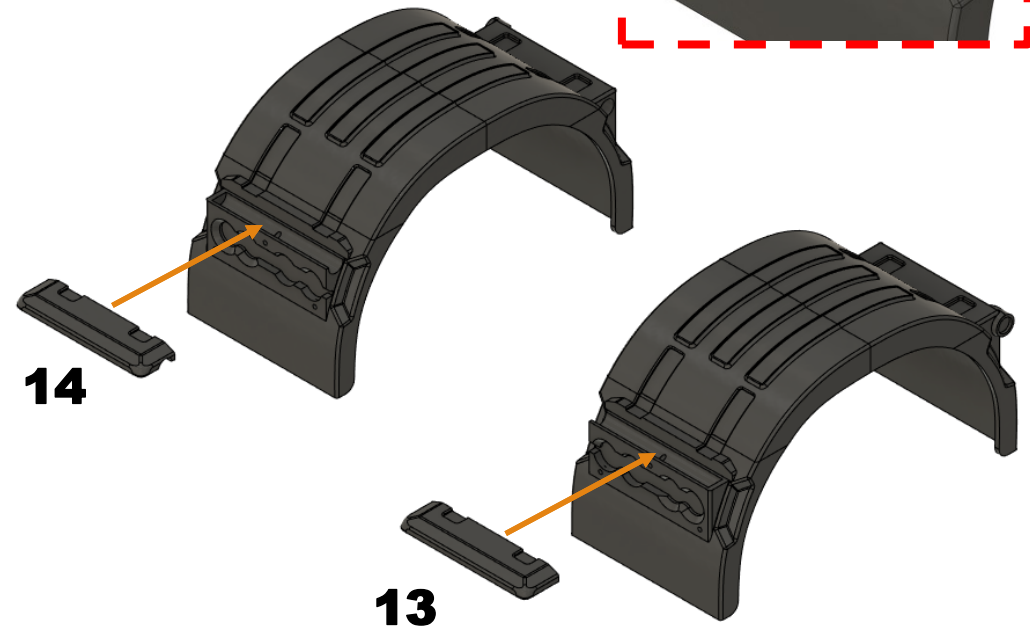
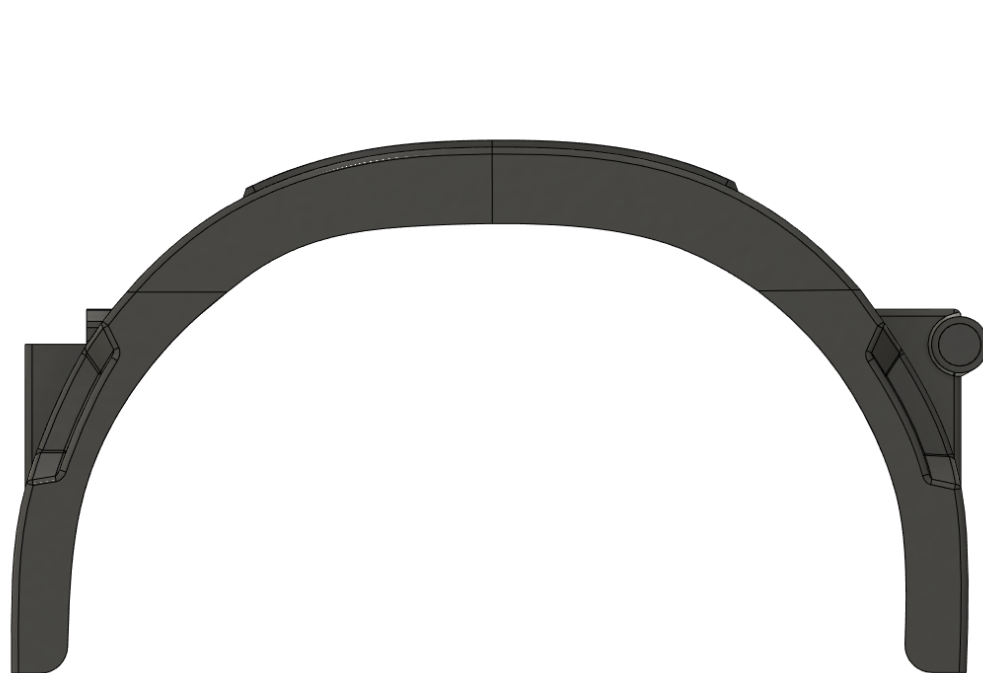
Same procedure for both sides



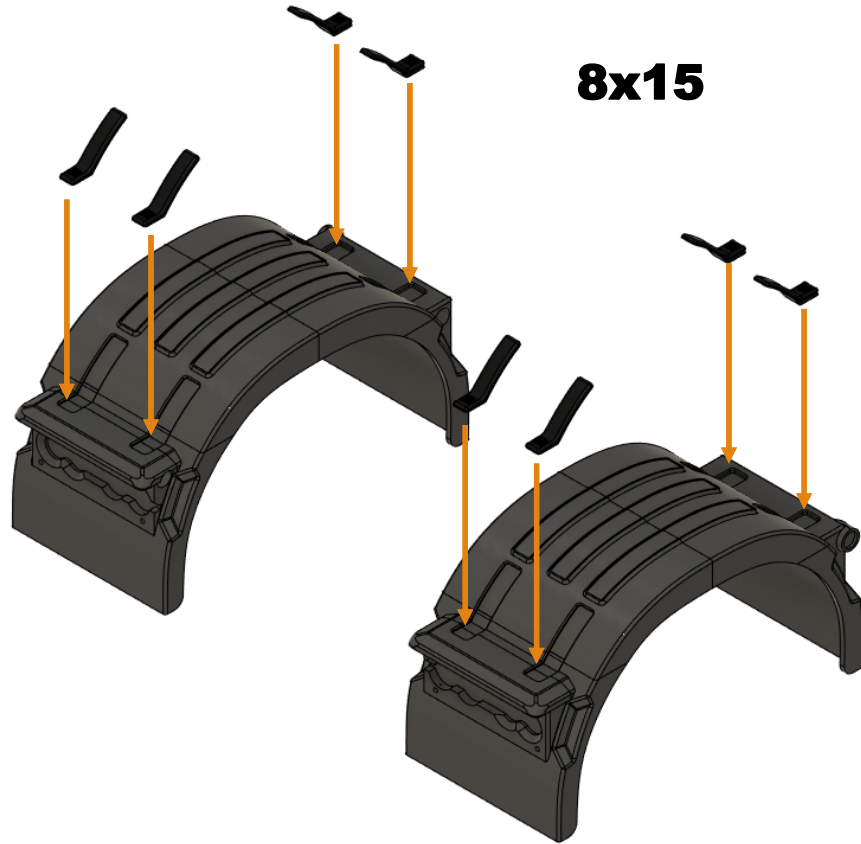
Fenders



Fenders



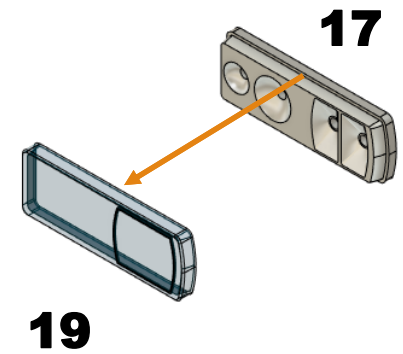
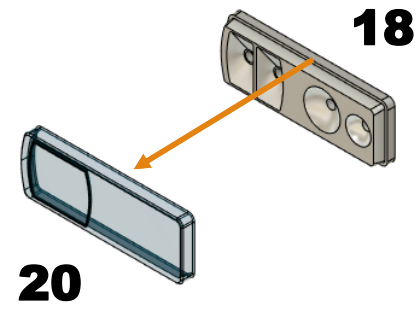
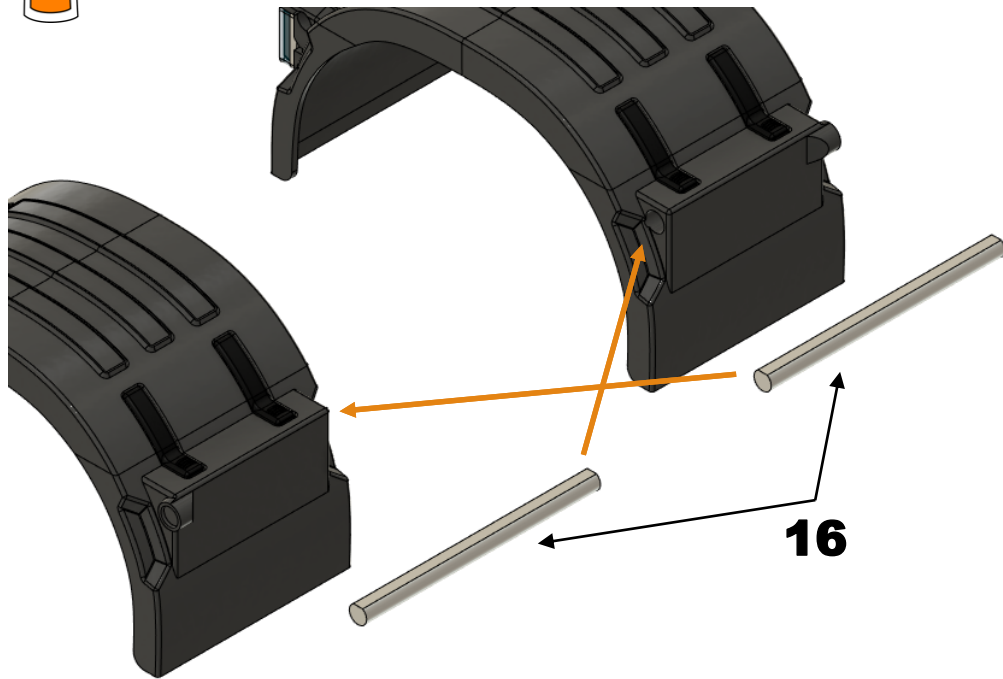
Fenders



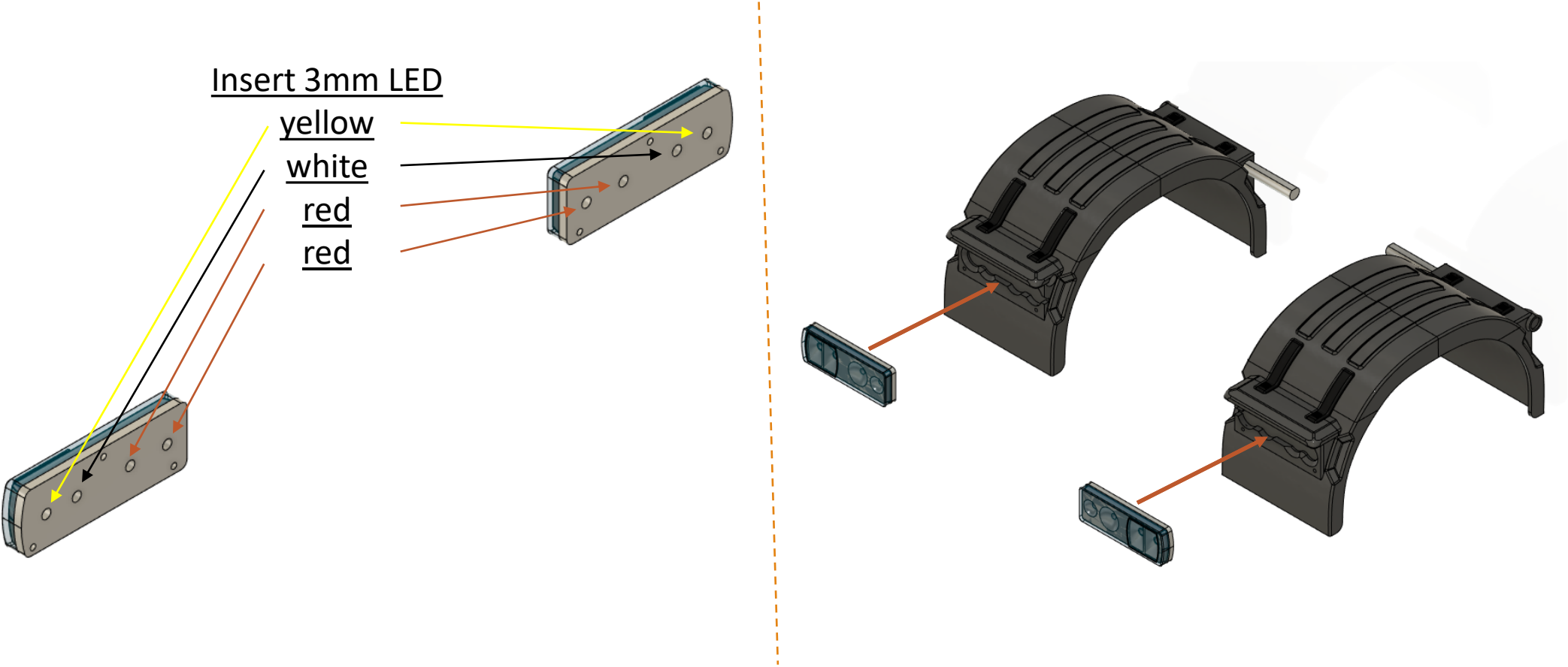
8x15



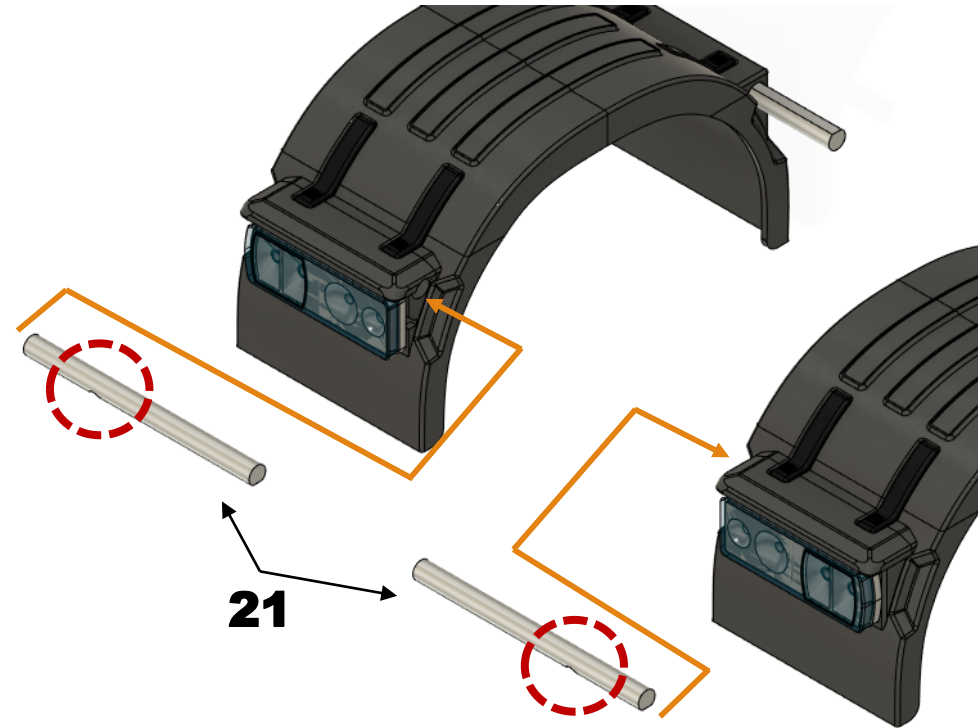
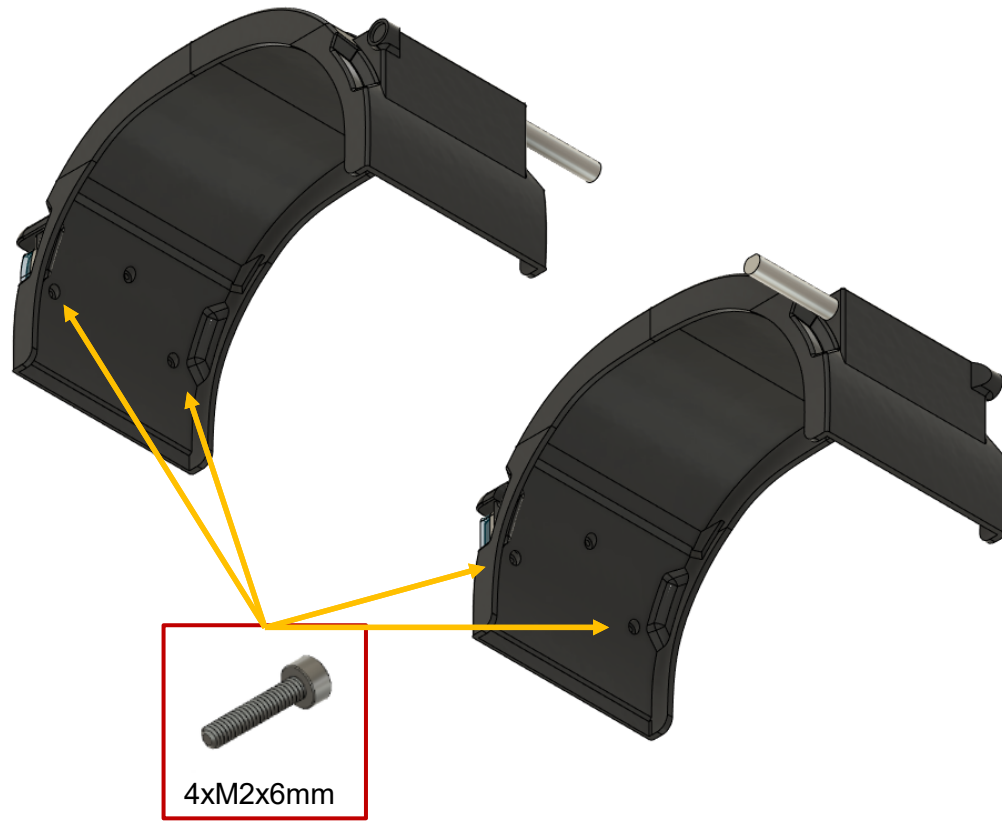
Fenders



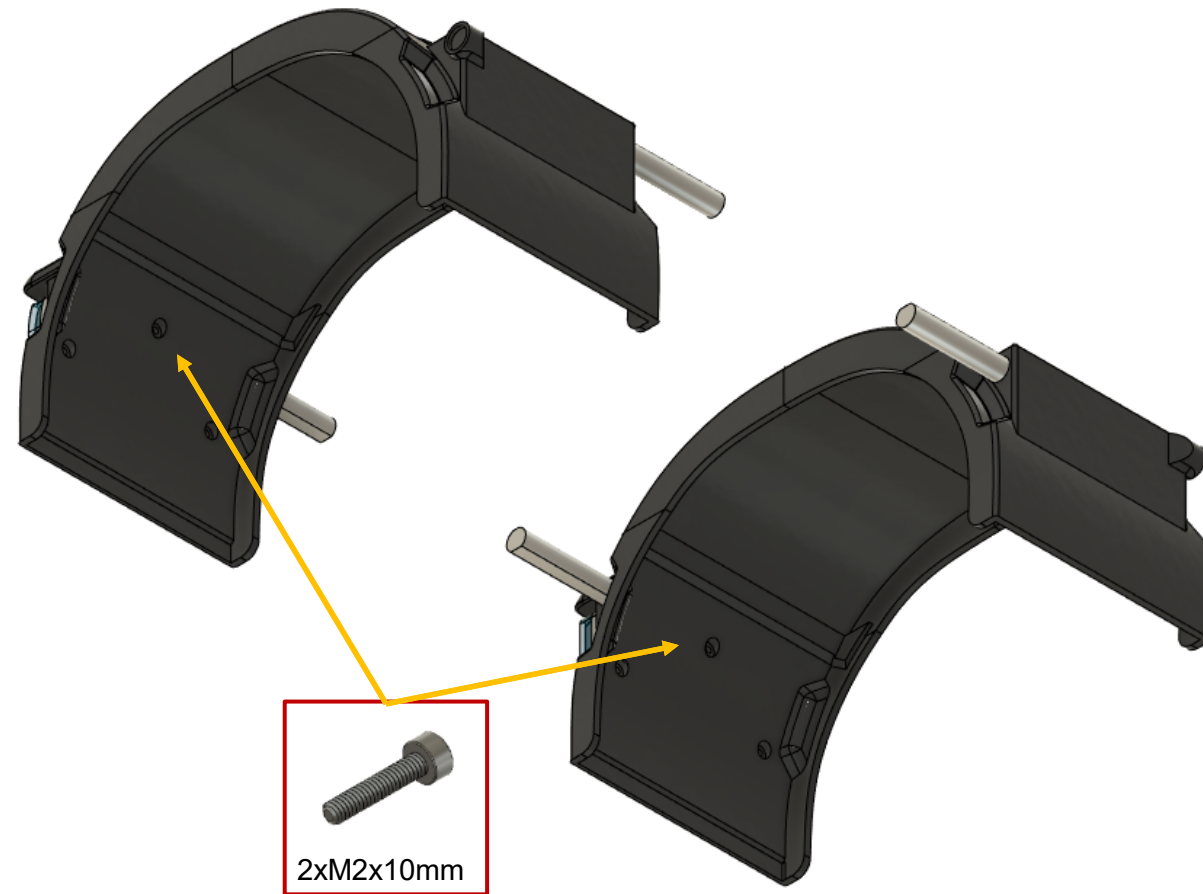
Fenders



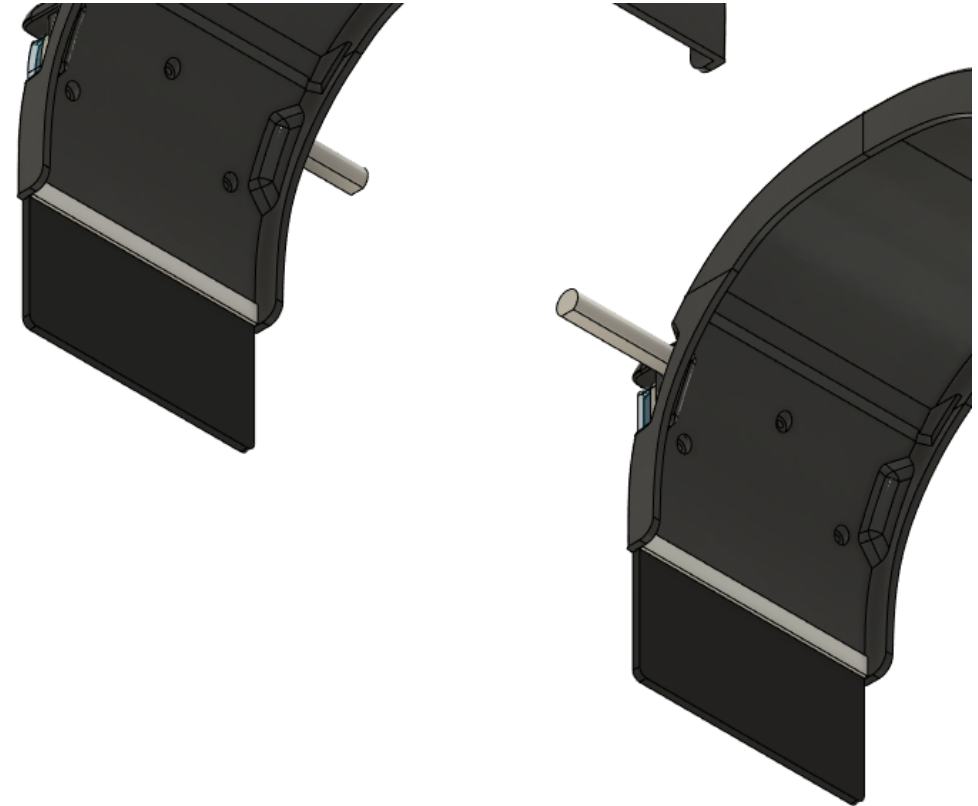
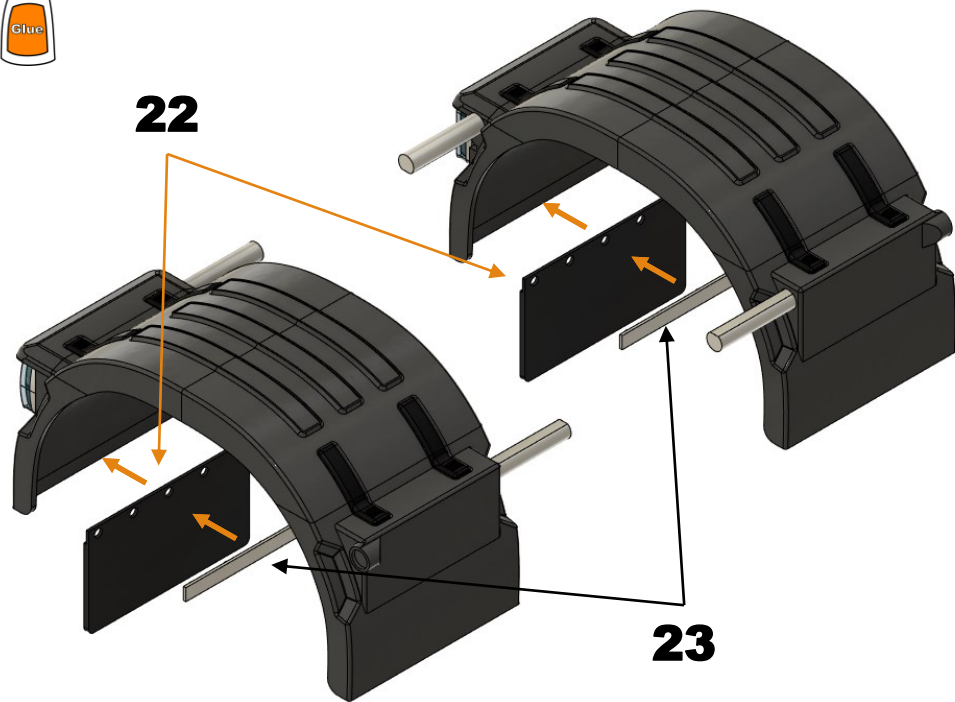
Fenders



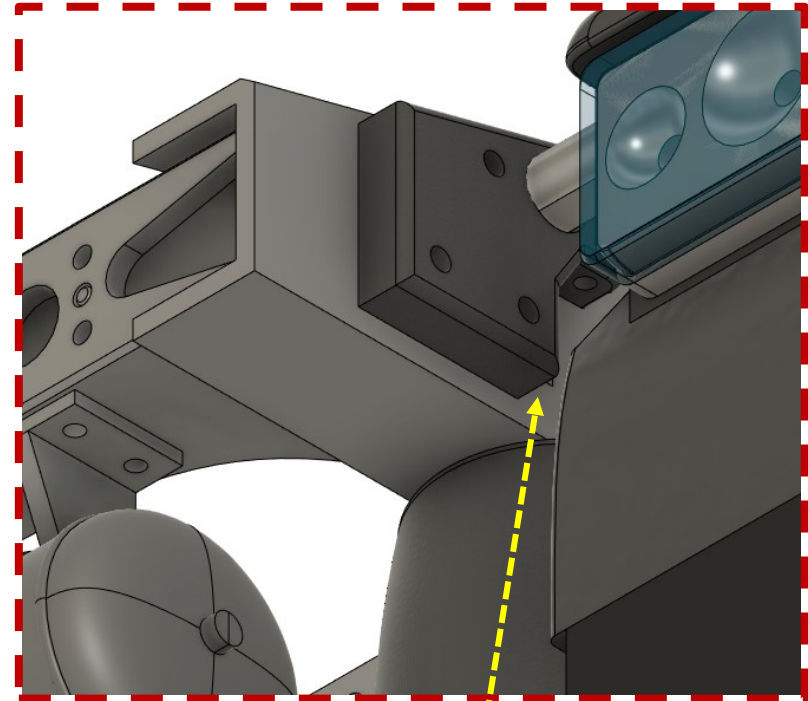
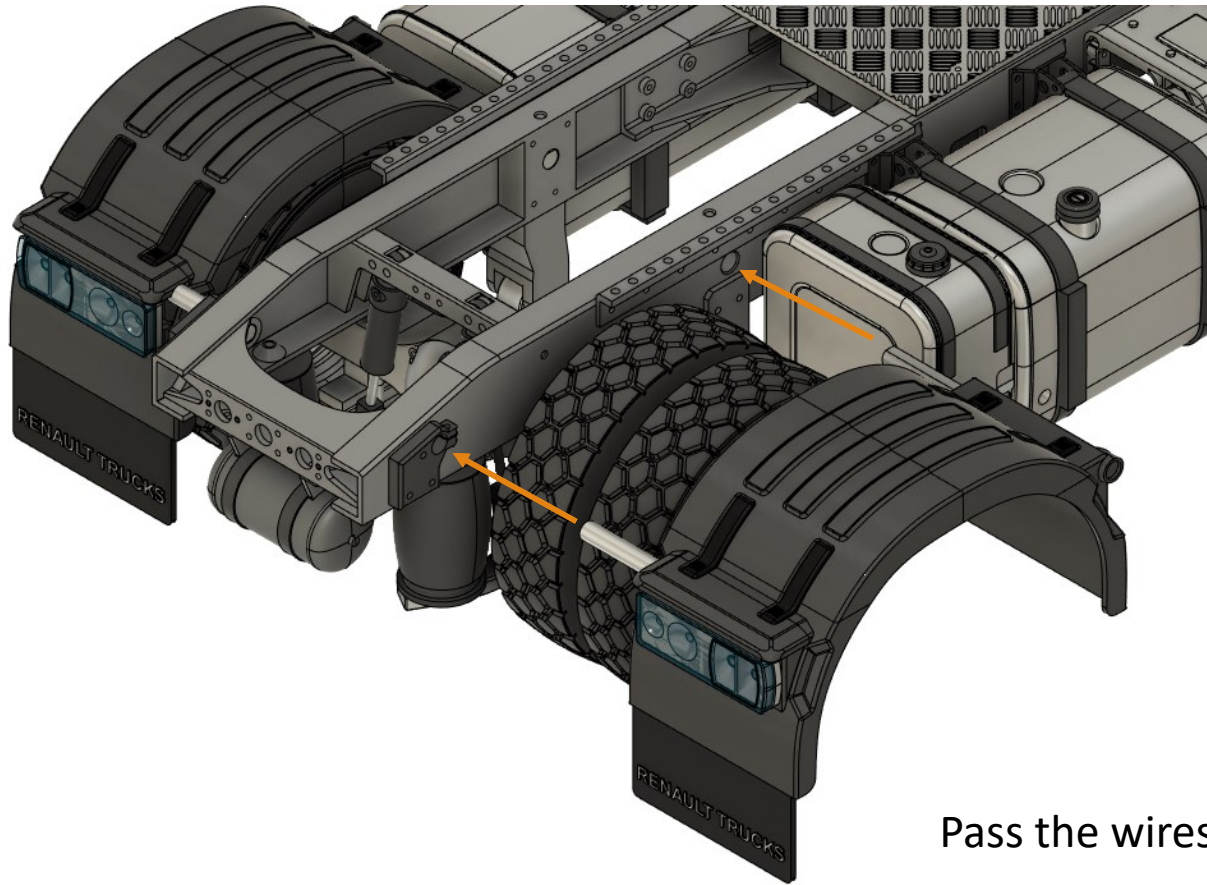
Fenders



Fenders

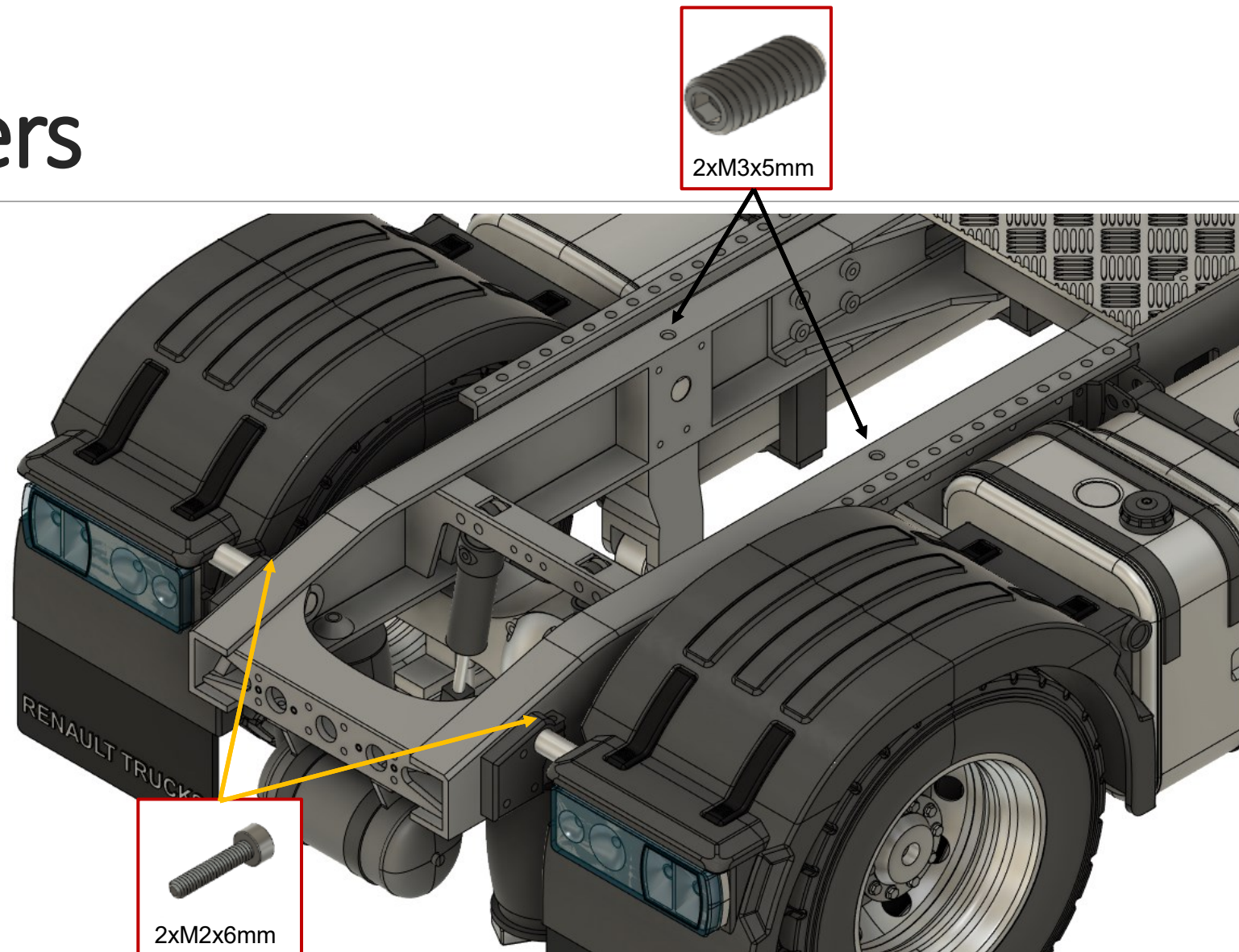


Fenders

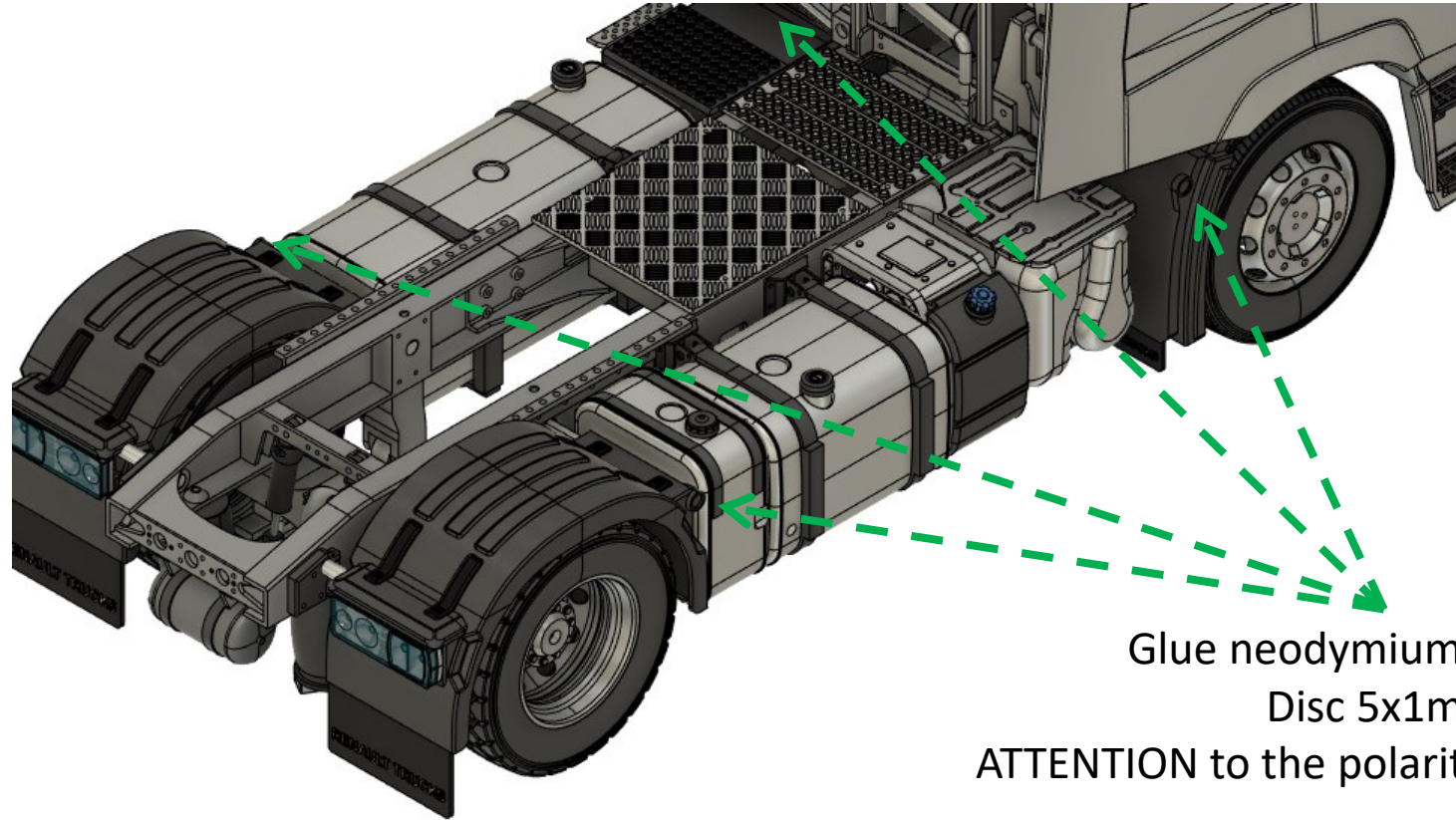


Pass the wires from the led through here

Fenders



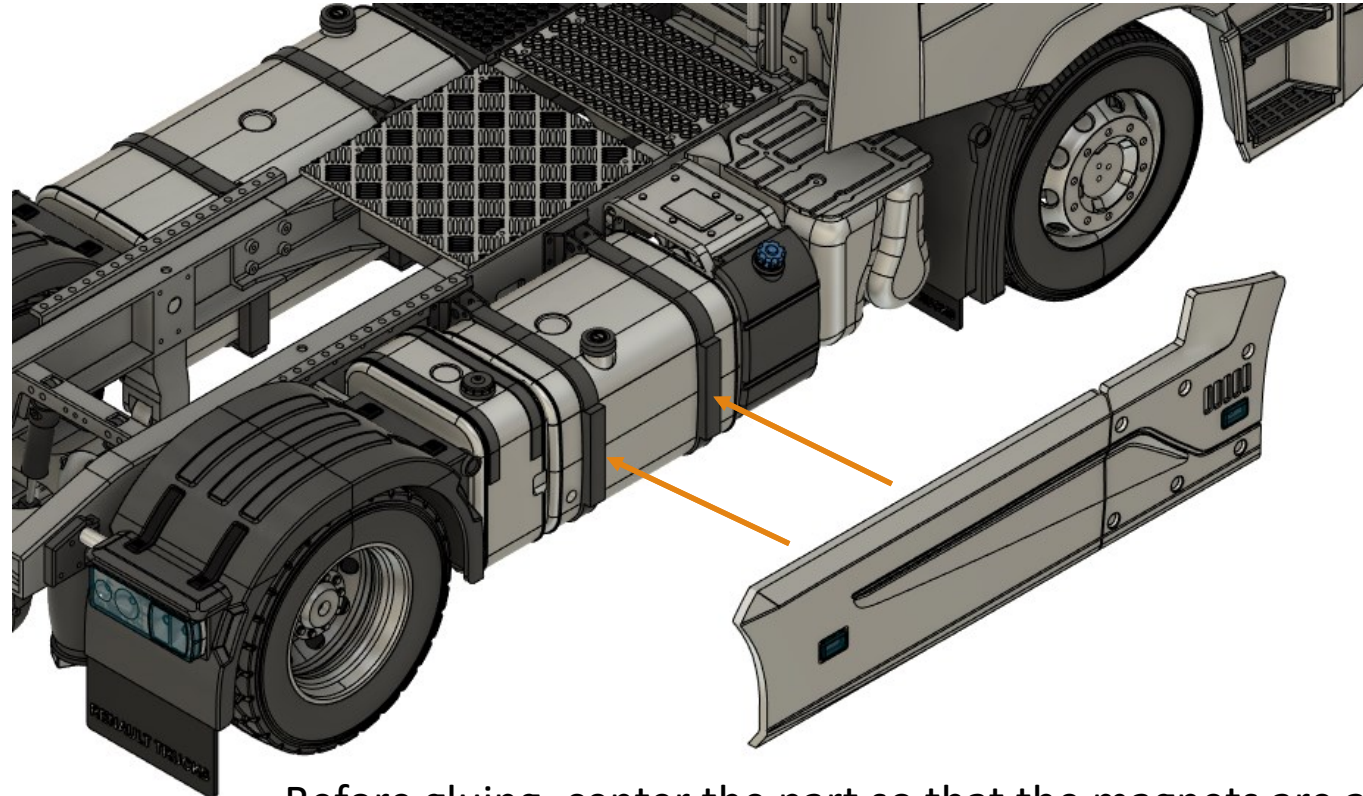
Fenders



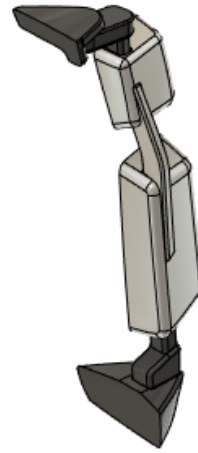
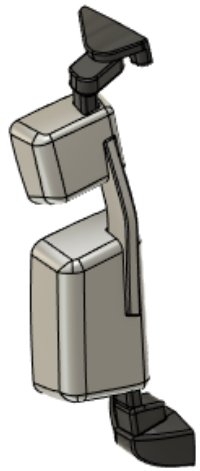
Glue neodymium magnets
Disc 5x1mm

ATTENTION to the polarity of the magnets

Fenders

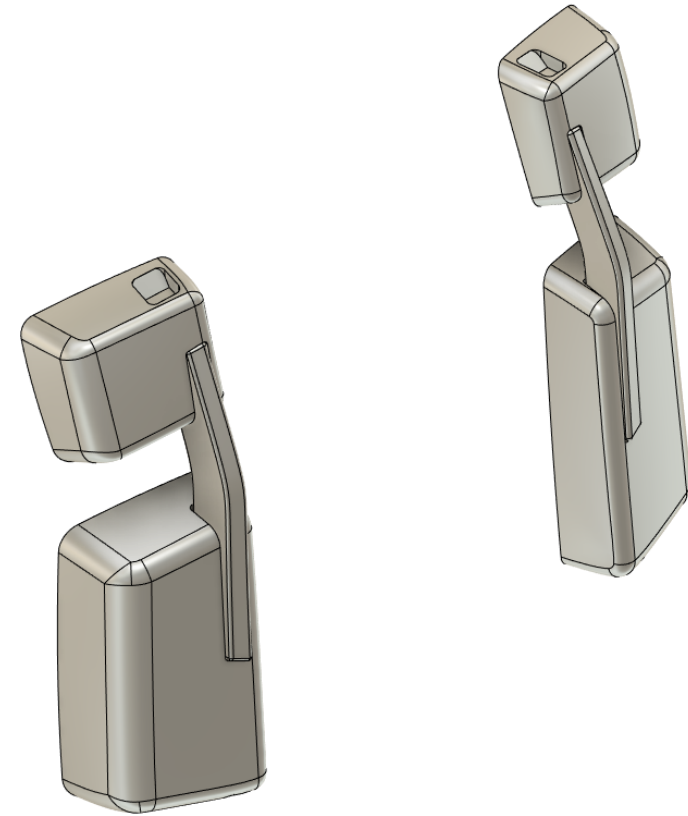
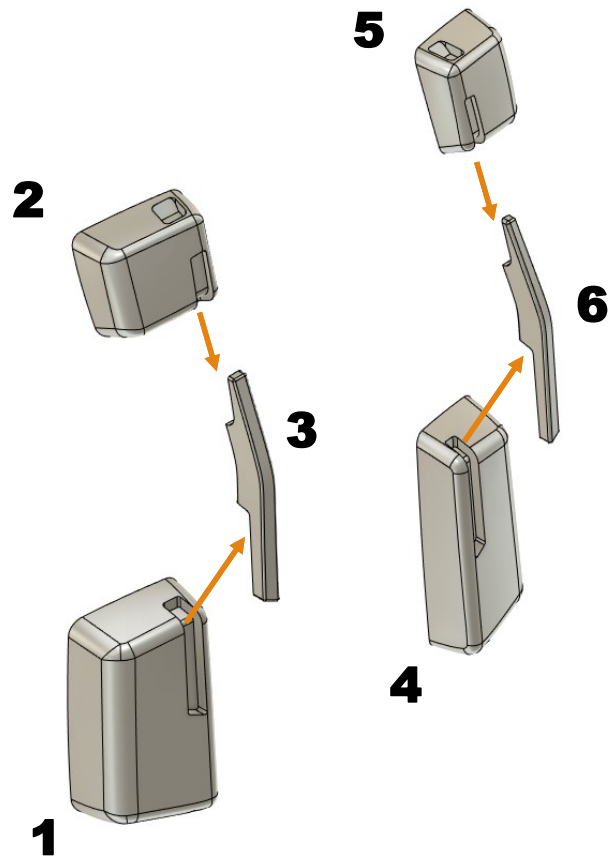


Before gluing, center the part so that the magnets are abutting each other.
Move the rear fenders if necessary.

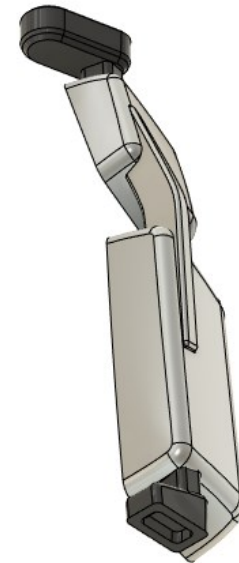
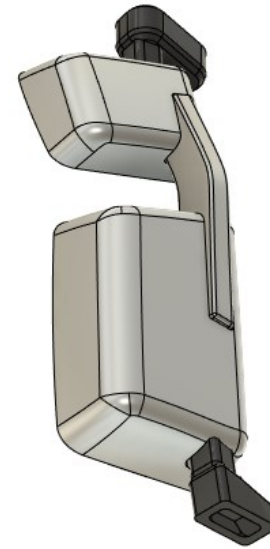
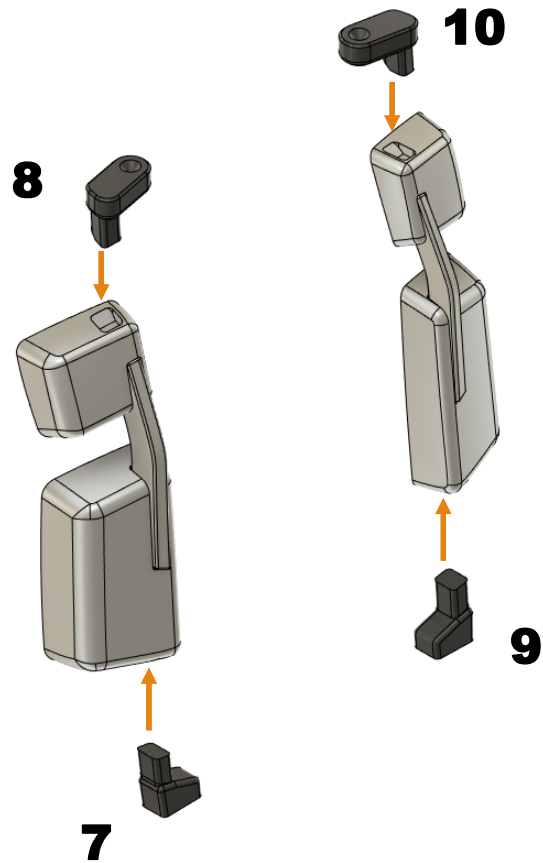


Mirrors

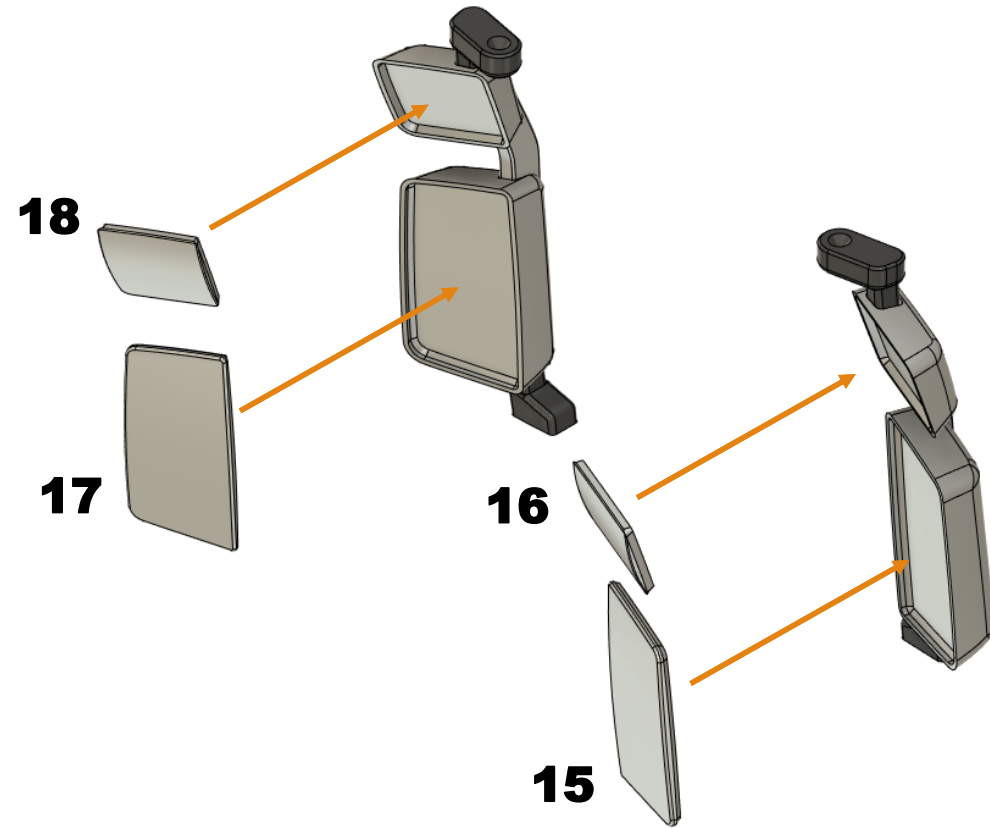
Mirrors



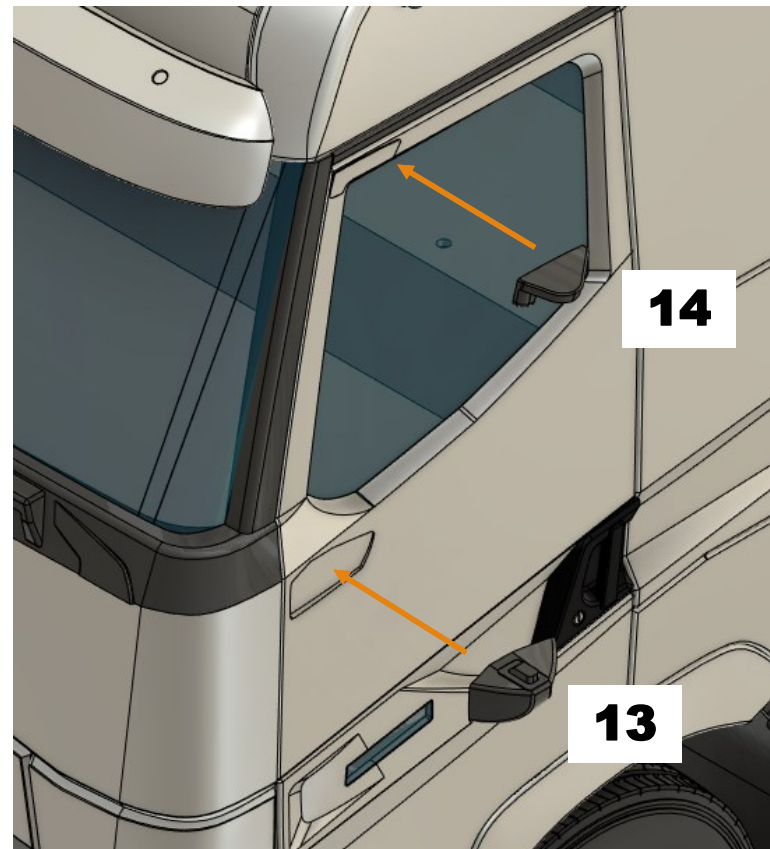
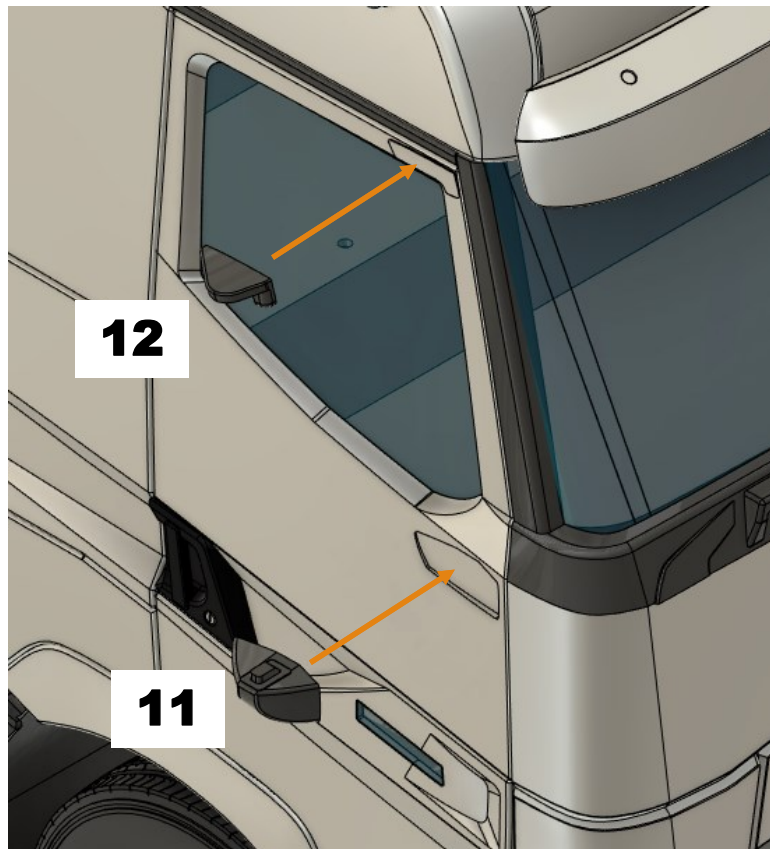
Mirrors



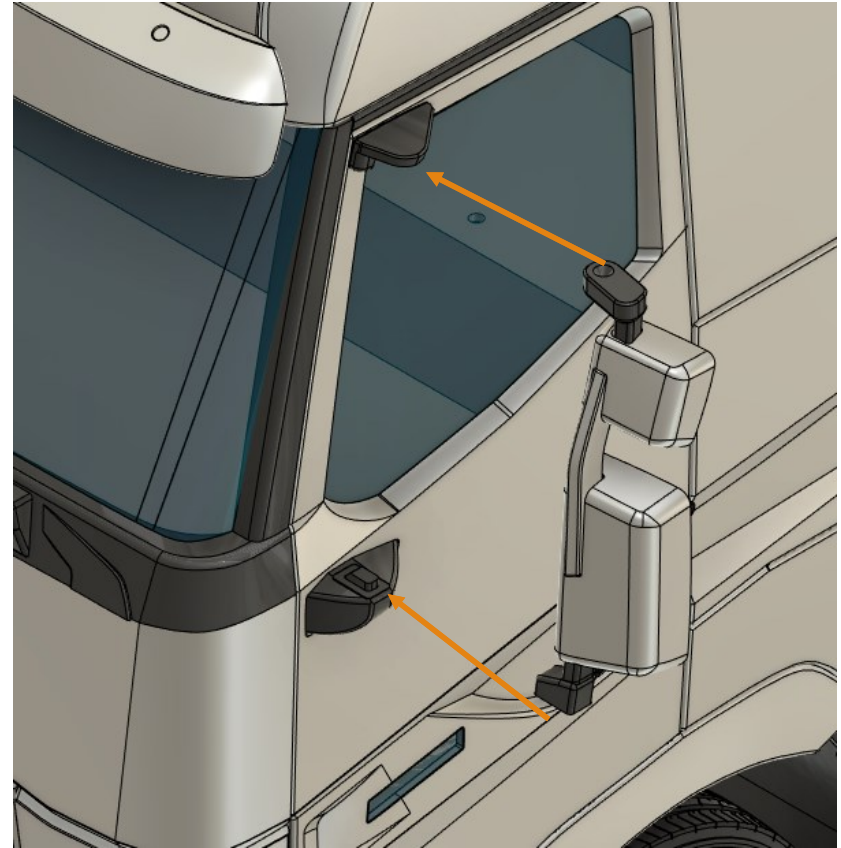
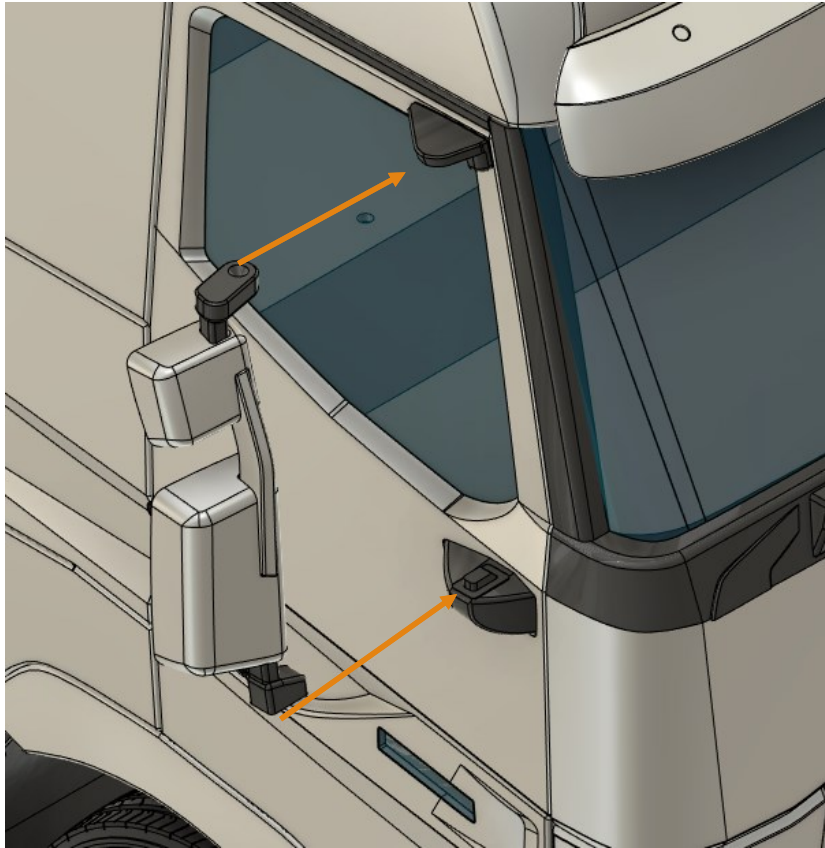
Mirrors



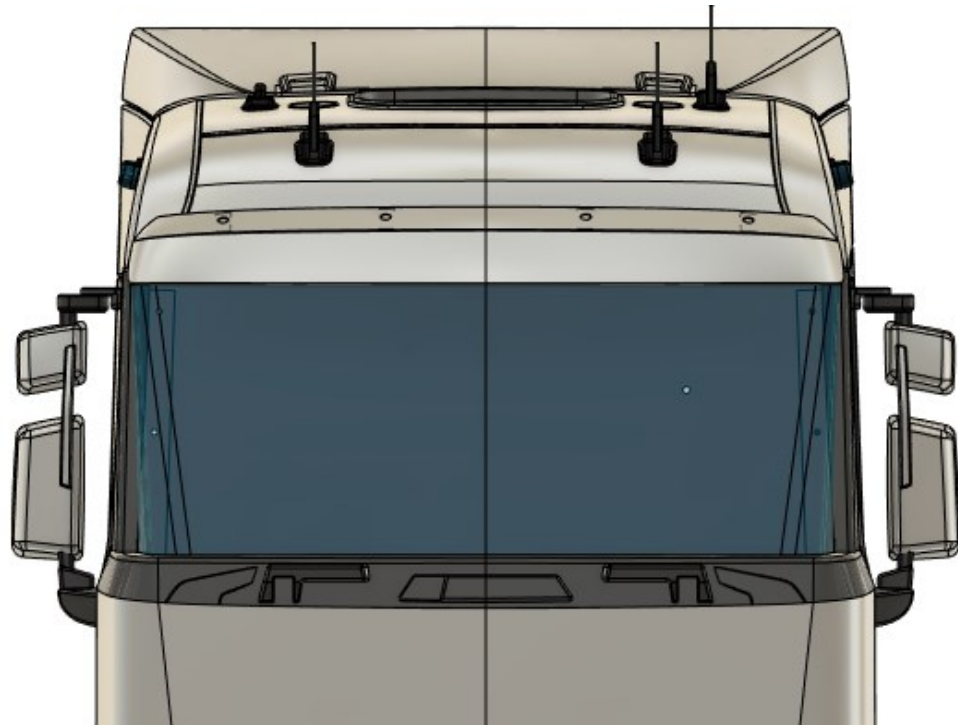
Mirrors



Mirrors



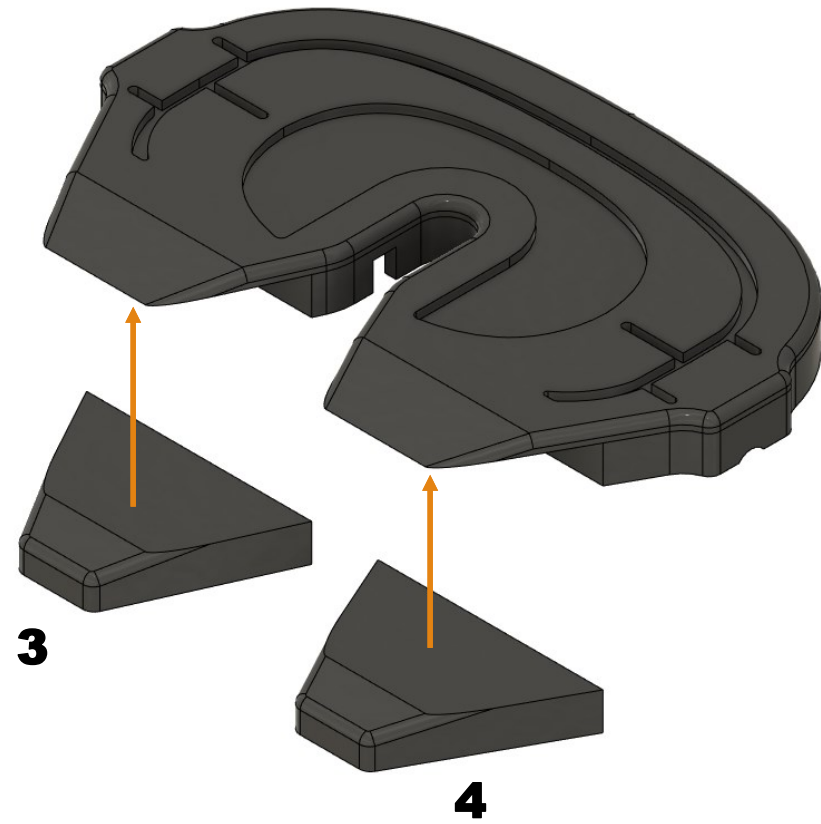
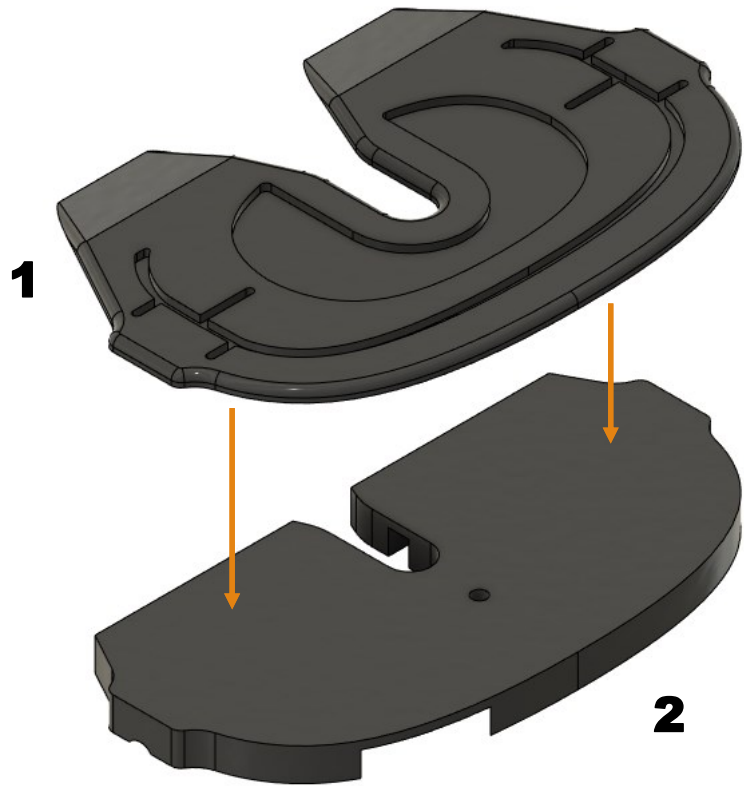
Mirrors



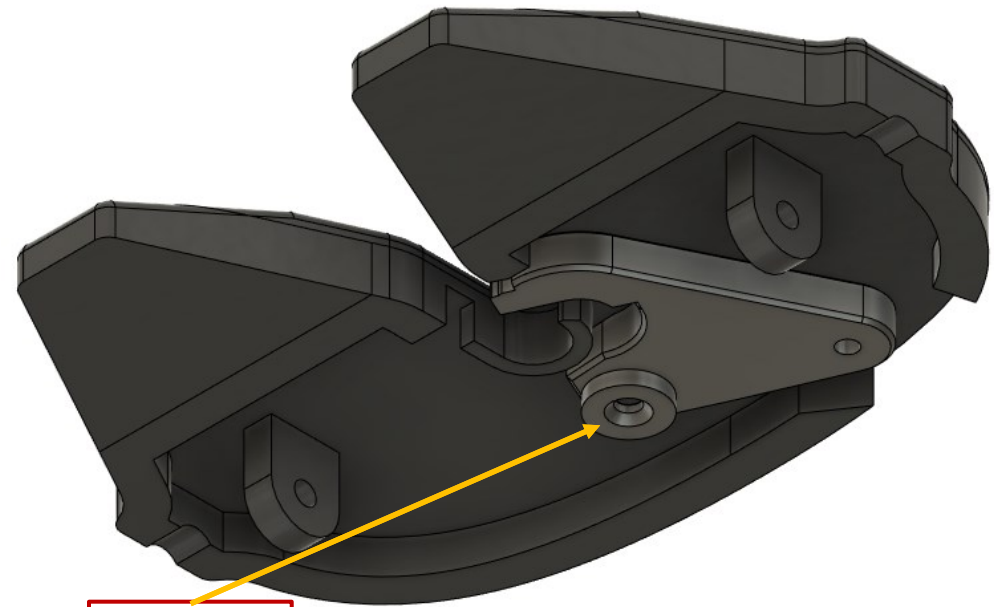
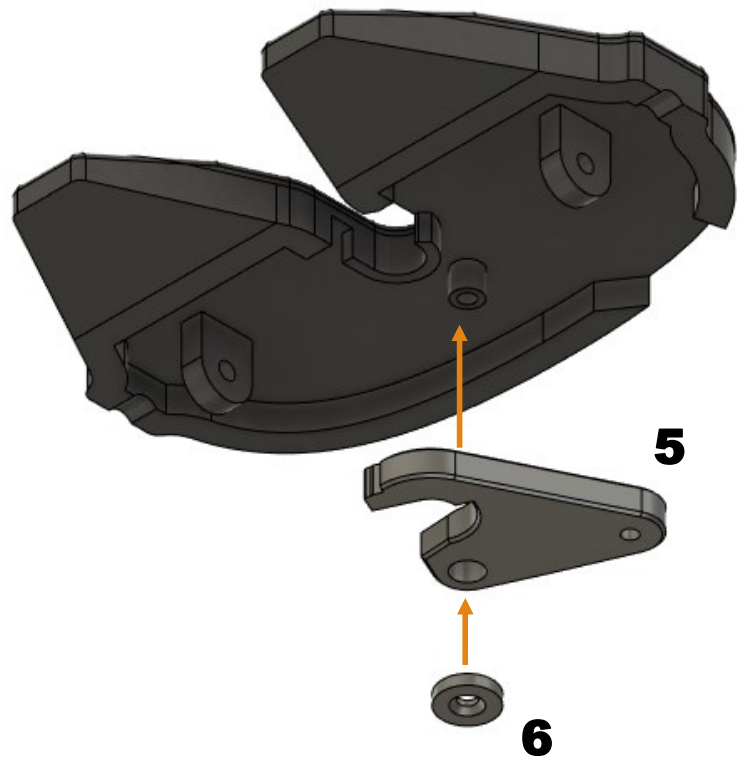


Turntable

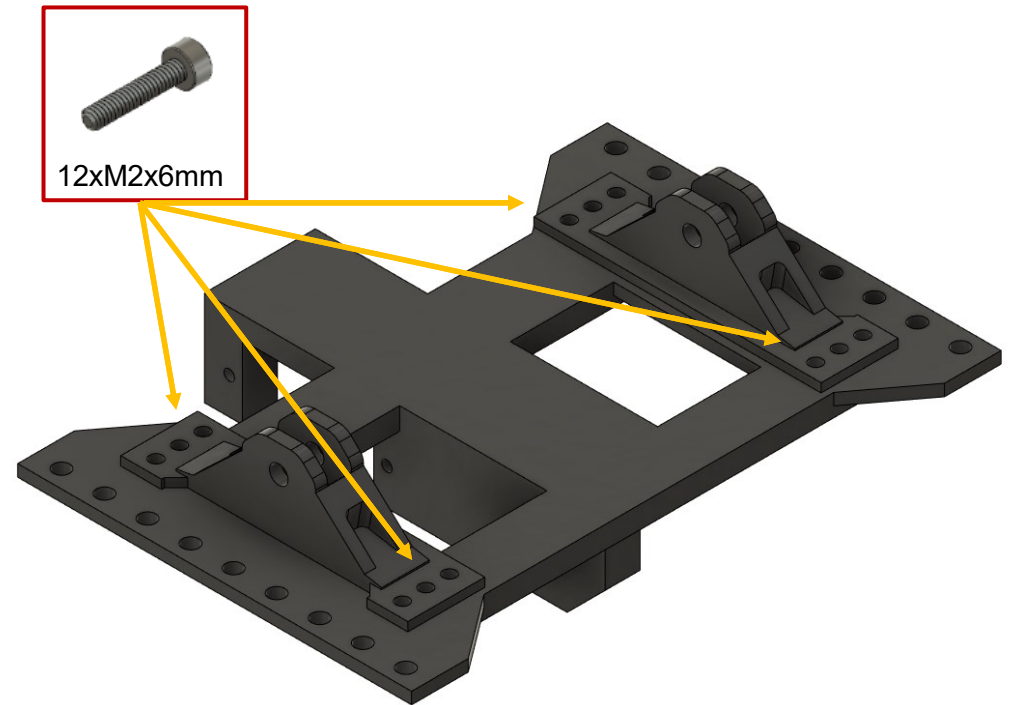
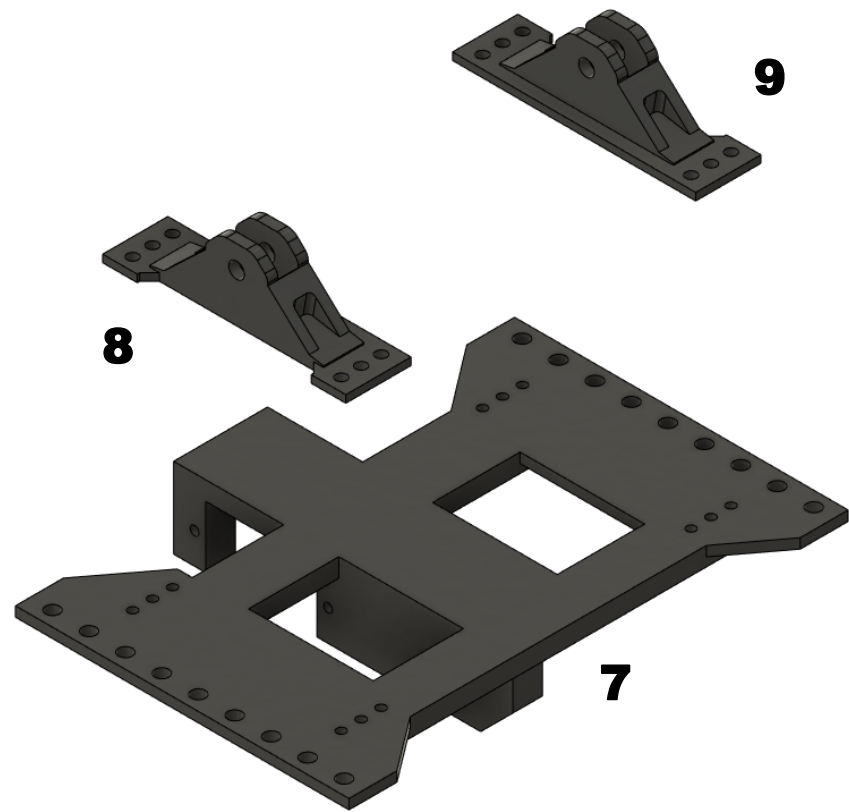
Turntable



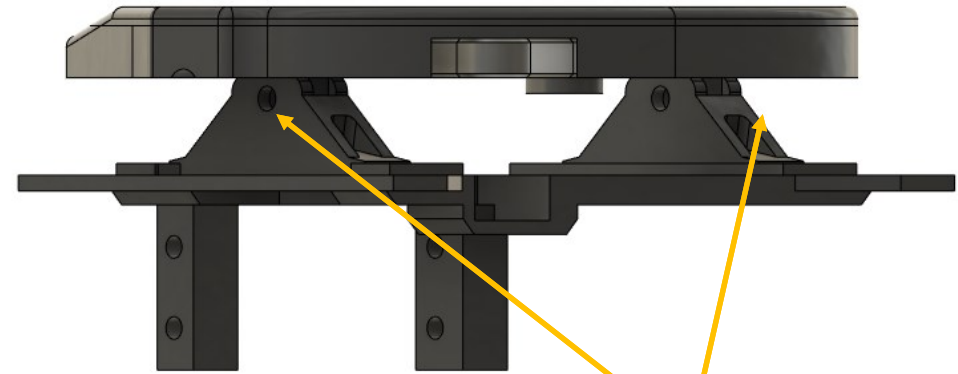
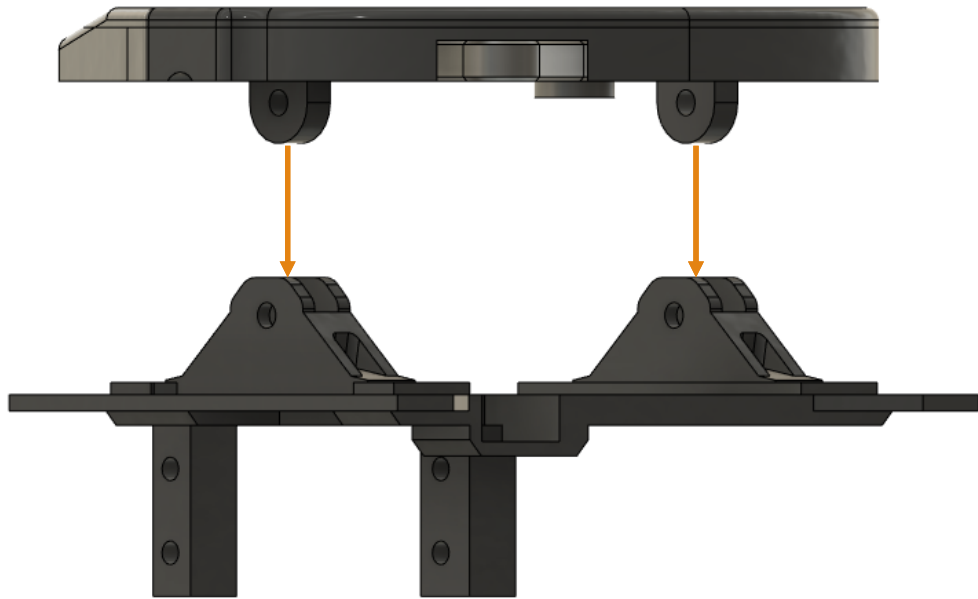
Turntable



Turntable

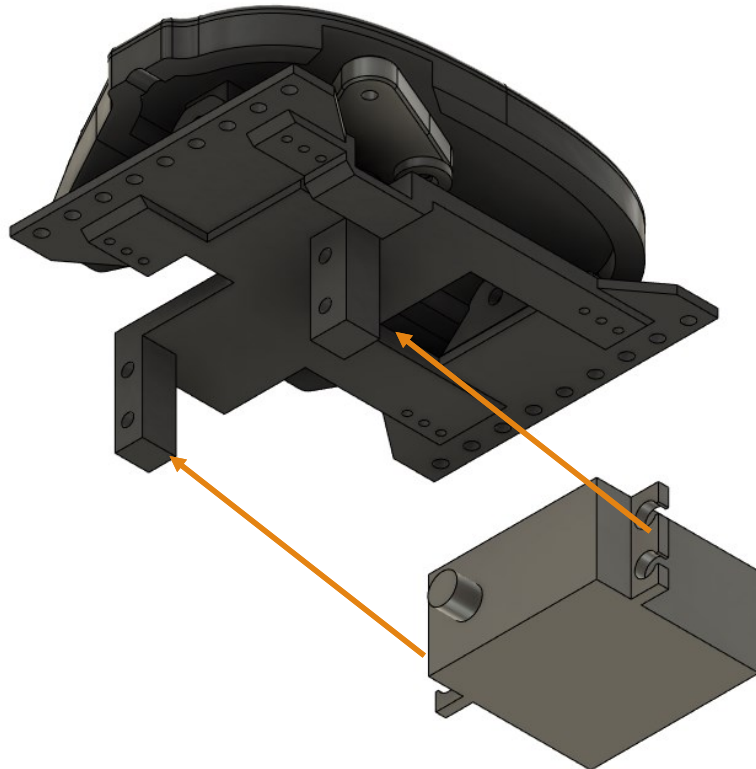


Turntable

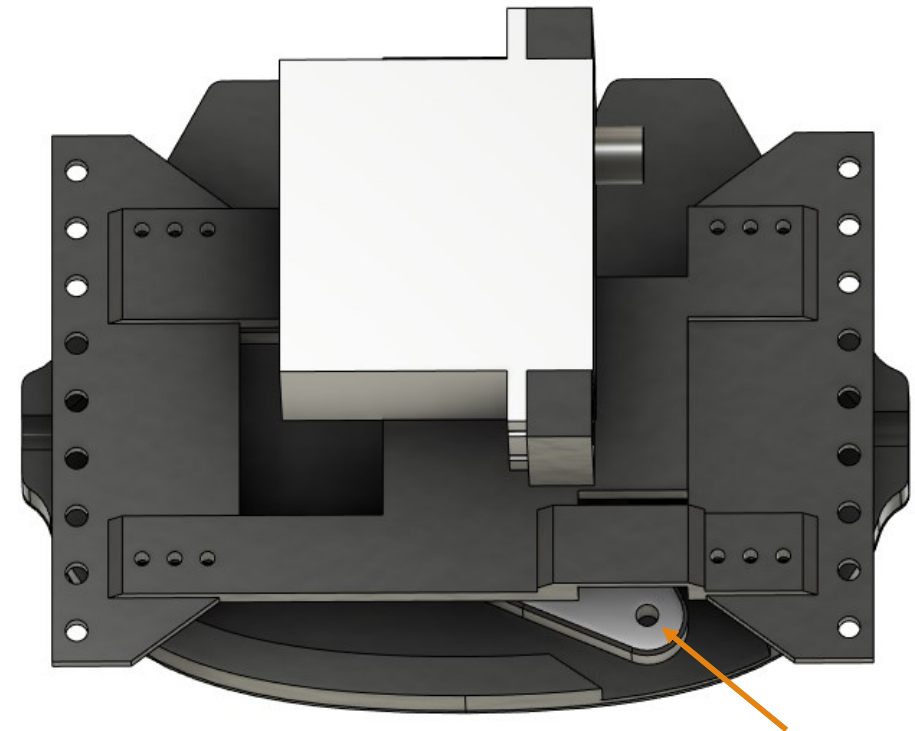


Turntable

Make a lock handle.
Use servo levers, printed or purchased ball joints
And an M3 threaded rod.
Adjust the stops in the transmitter.

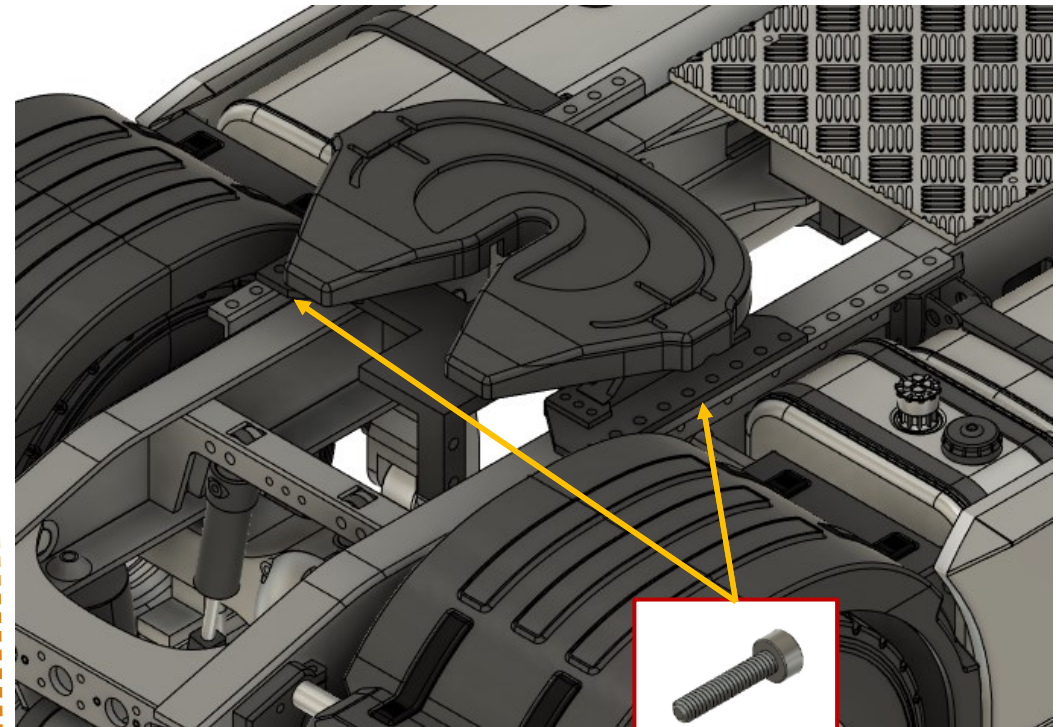
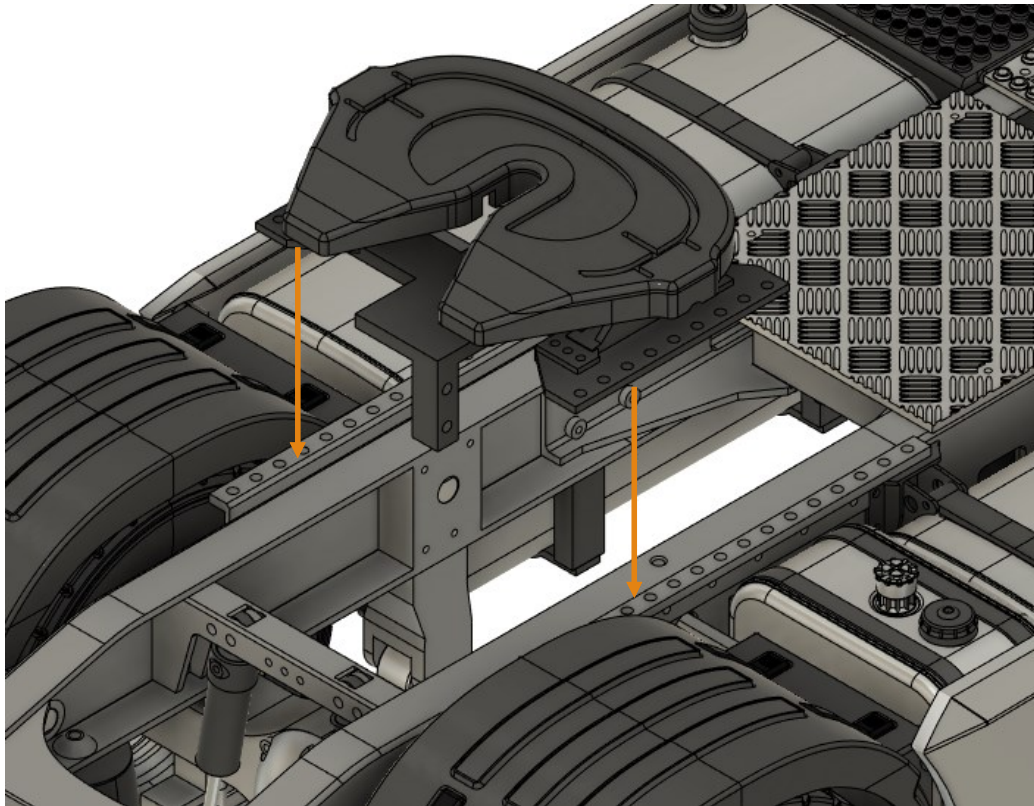


Standartní servo

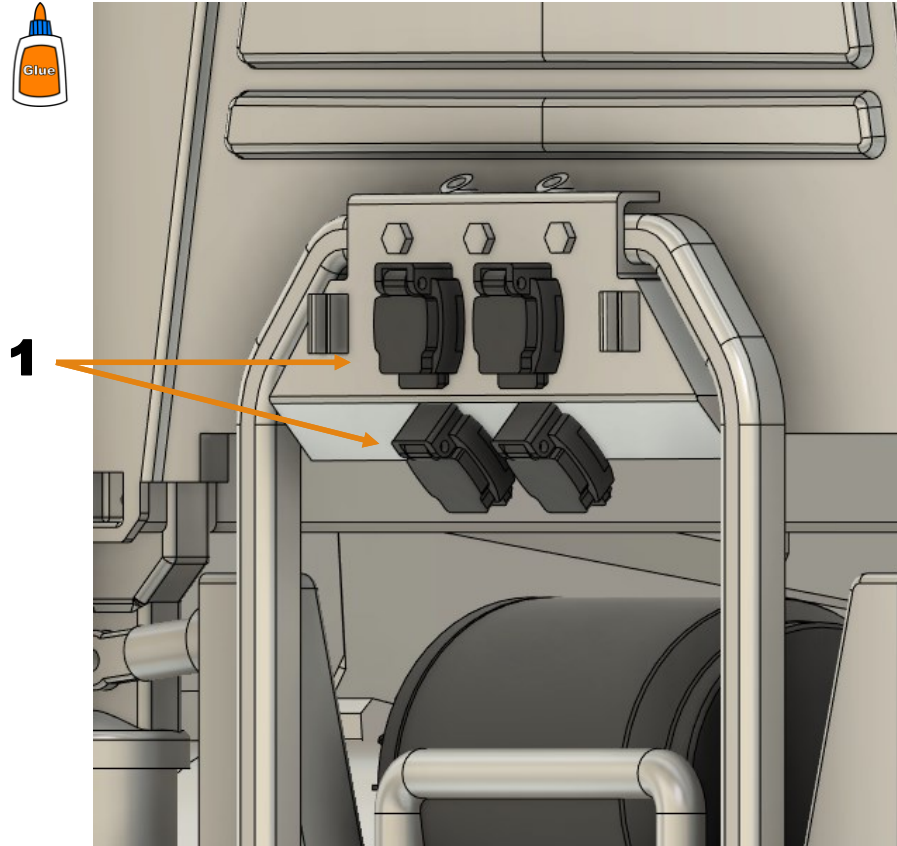


Turntable

Position the turntable as needed.



Details

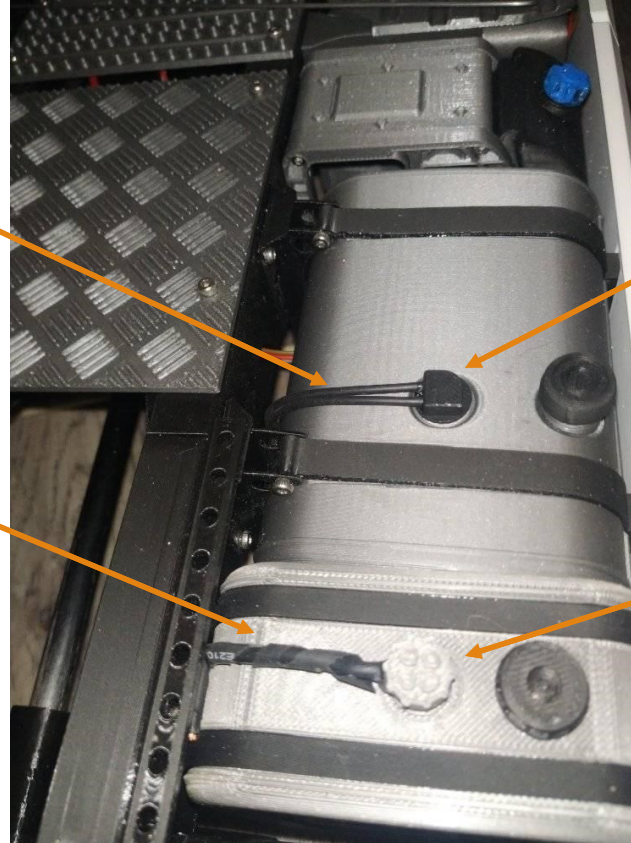


Imitation of a flexible hose
I have achieved:
On a skewer you wind tightly
FLEX filament
and heat it with a lighter.
The warm-up must be
large enough
but not too much,
Subsequently, the filament
Cool down
Water.
Glue one end
to part 2 and the
other to the frame.

Details

FLEX filament 1.75mm

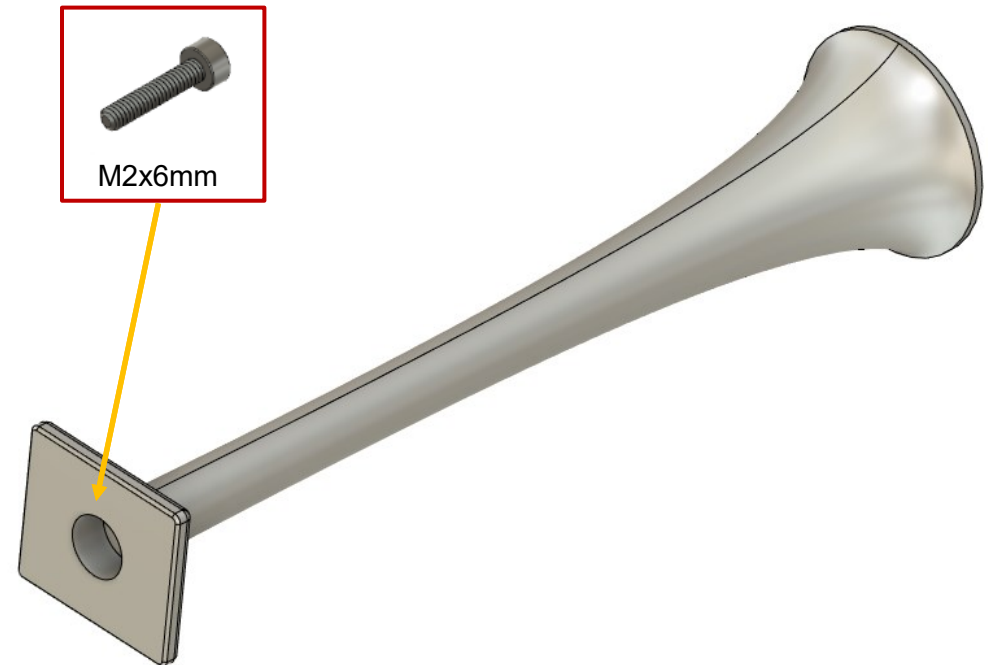
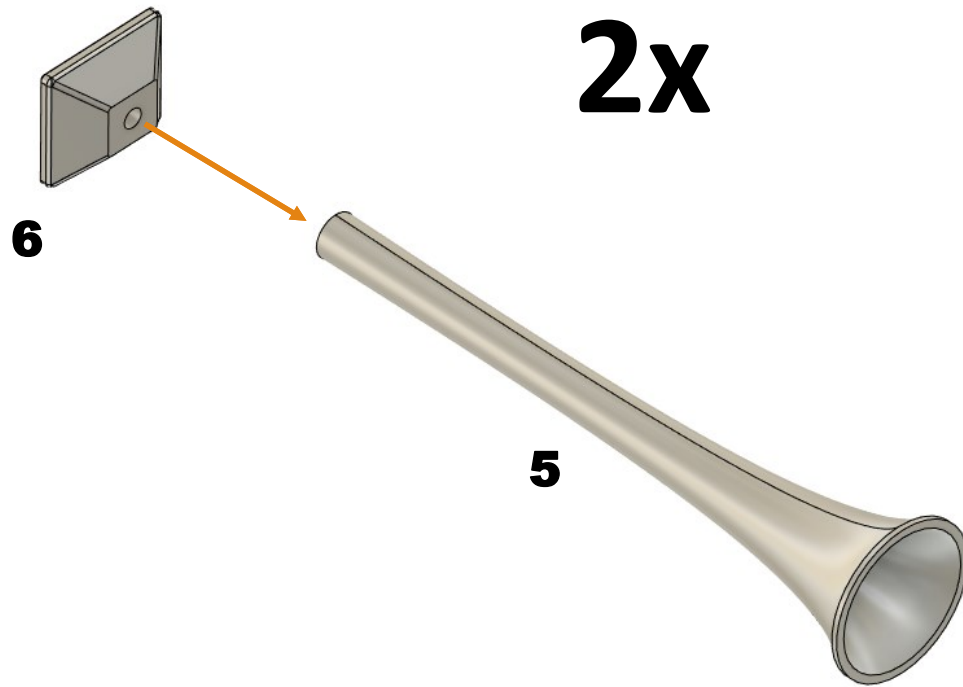
Single-core conductor
diameter 2.3mm



3

4

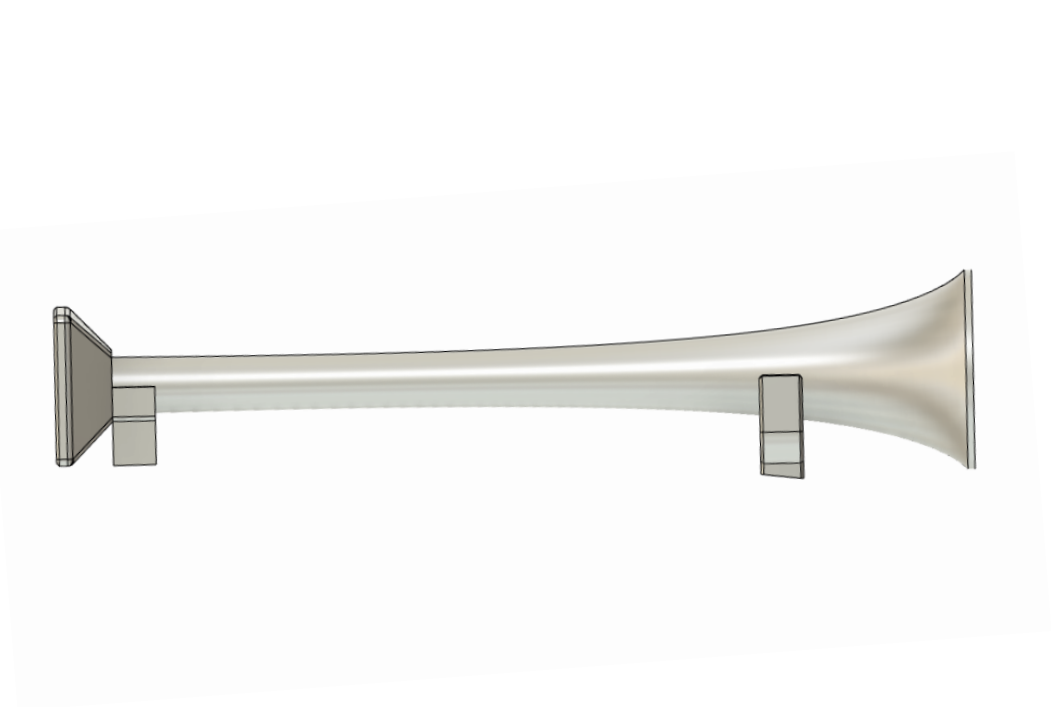
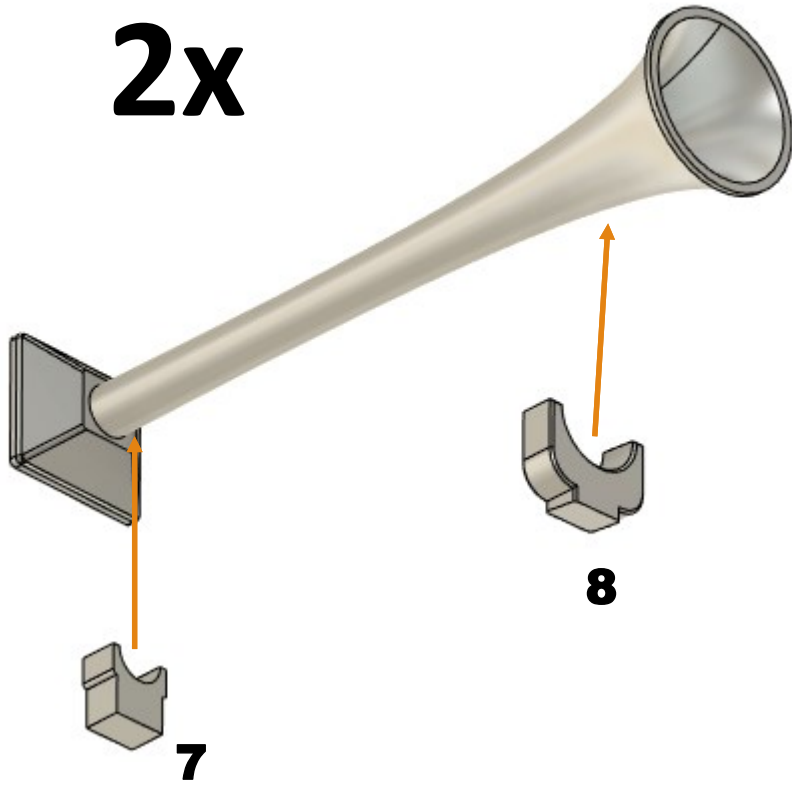
Details



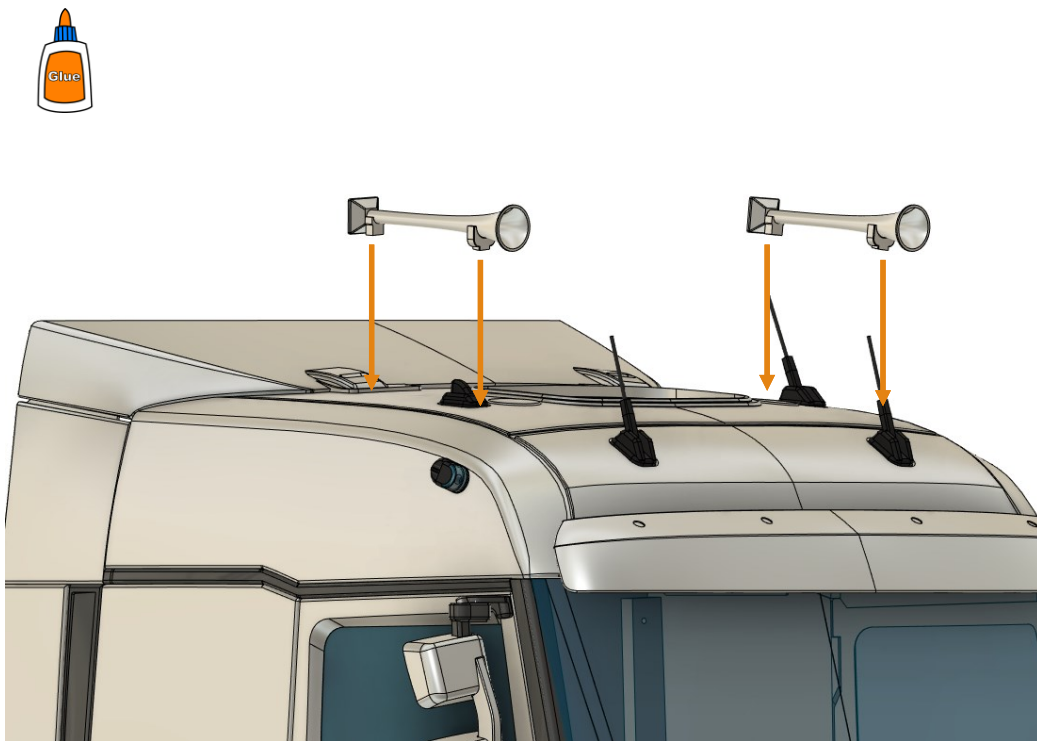
Details



2x



Details



Congratulations!
You're done. 🤗

