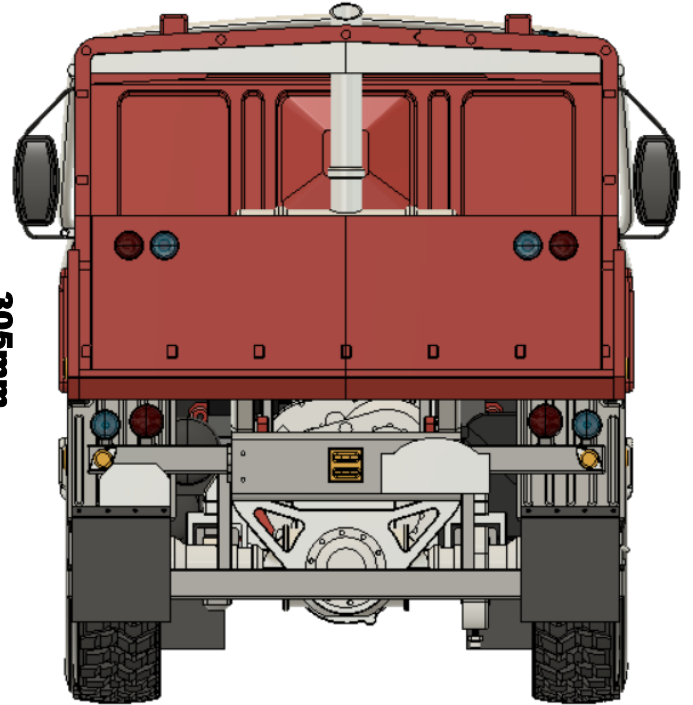


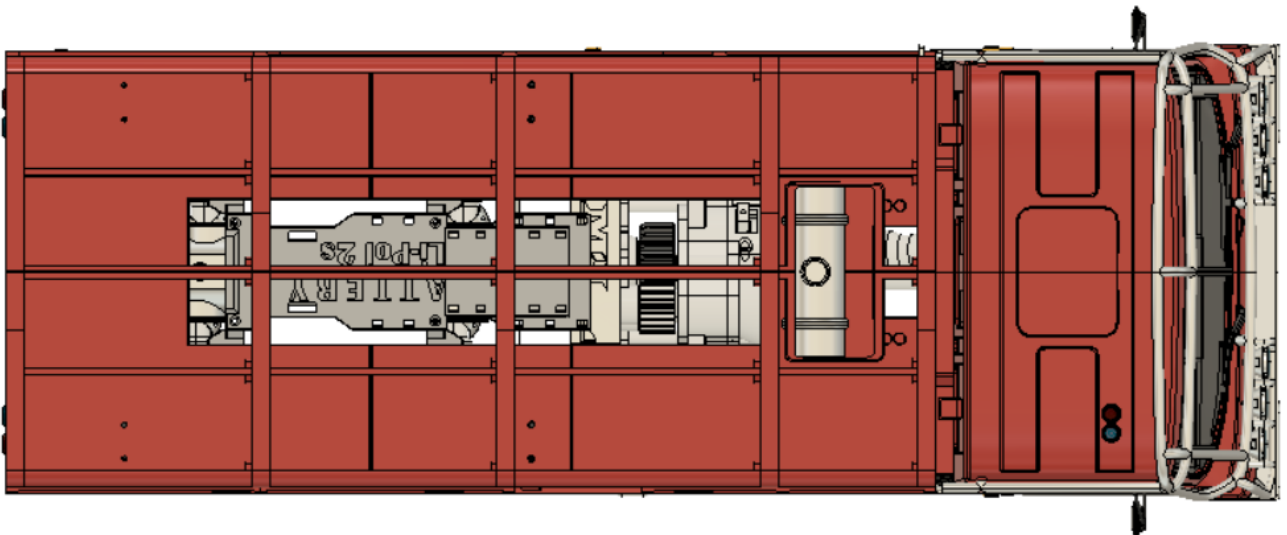
←----- 698mm -----→



←----- 285mm -----→



↑----- 305mm -----↓



Thank you for purchasing the STL model files.

I tried to prepare the parts as carefully as possible, with regard to simplicity and possible repairability.

Some parts may not exactly match the pictures in this manual.

These are later modified or improved parts.

Please watch for updates:

<http://www.mlmodel.webnode.cz>

For construction you will need:

[3D printer](#)

the text refers to sellers of quality and perfectly built, tuned 3D printers with warranty + lots of benefits.

Definitely worth a look

About 3 kg of high-quality PLA

Transparent PLA - parts are marked "Clear"

Flex filament - parts are marked "Flex"

Medium cyanoacrylate adhesive + activator

Durofol 0.2 mm - <https://www.peckamodel.cz/6bi3020-durofol-0-2mm-v-rozmeru-0-5x1m-140g-bm>

2x tension spring 5x20mm

https://www.aliexpress.com/item/1005003895142563.html?spm=a2g0o.productlist.0.0.2e687b77r2ZPb5&algo_pvid=b29b7a7f-0261-4252-b010-86c58896016b&aem_p4p_detail=202212100408408488234977636140002786156&algo_exp_id=b29b7a7f-0261-4252-b010-86c58896016b-34&pdp_ext_f=%7B%22sku_id%22%3A%2212000027408551385%22%7D&pdp_npi=2%40dis%21EUR%213.36%213.36%21%21%21%21%21%402103255b16706741208242795e751b%2112000027408551385%21sea&urPageLogUid=GnDrdAkuN4LX&ad_pvid=202212100408408488234977636140002786156_8&ad_pvid=202212100408408488234977636140002786156_8

M2, M3 screws (hex cylinder, half-round head)

M3 nuts

M3 worms

3x20mm smooth round rod/stainless steel (wire), preferably a shaft with a diameter of 3mm

2x 3x23mm smooth round rod/stainless steel (wire), preferably a shaft with a diameter of 3mm

2 mm brass wire

M3 threaded rod: 2x 250mm + for making tie rods

Hats-

<https://www.rcprofi.cz/traxxas-kulovy-cep-dlouhy-6>

6x preferably black balloons

Carbon tube 8x6x195mm

Micro servo 1pc

Standard servo - at least 30 kg

Bearings:

28ks - 10X15X4 MM (6700ZZ)

[-https://www.loziska-rc.com/10x15x4-kulickove-lozisko-metal-6700zz](https://www.loziska-rc.com/10x15x4-kulickove-lozisko-metal-6700zz)

27ks - 15X21X4 MM (6702ZZ)

[-https://www.loziska-rc.com/15x21x4-zz-6702zz-kulickove-lozisko-1ks?search=15x21x4](https://www.loziska-rc.com/15x21x4-zz-6702zz-kulickove-lozisko-1ks?search=15x21x4)

4ks – 8X12X3,5 MM (MR128ZZ)

[-https://www.loziska-rc.com/8x12x3-5-zz-mr128zz-kulickove-lozisko?search=8x12x3%2C5](https://www.loziska-rc.com/8x12x3-5-zz-mr128zz-kulickove-lozisko?search=8x12x3%2C5)

RC dampers 90mm 2ks-

https://www.aliexpress.com/item/4001116500005.html?spm=a2g0o.productlist.0.0.6ada6e3eVS0XJ0&ad_pvid=20220909213451103989433268880001923672_2&s=p

AC motor C3548 900kv-

https://www.aliexpress.com/item/4000386445386.html?spm=a2g0o.order_list.order_list_main.36.3c531802_2GnONd

AC regulator 40-60A - [Car ESC BH Power 60A ☆ | RC BigHobby.cz](#)

LiPol 2s, transmitter, receiver, PTFE vaseline, paints/varnishes, sandpaper

LED:

10x LED 5mm, warm white, 1120mcd, 140°, cylindrical

<https://www.gme.cz/v/1492053/optosupply-osm5dk57e1a-kl-led-5mm-tepla-bila>

4x LED 3mm, warm white, 8500mcd, 30° 304WC4B-W6-1PD

[LED 3mm, teplá bílá, 8500mcd, 30° 304WC4B-W6-1PD](#)

2x LED 5mm, yellow, 1000mcd, 45° 503UYC2E-Y2-2BE

<https://www.gme.cz/v/1495999/lucky-light-503uyc2e-y2-2be-led-5mm-zluta>

6x LED 3mm, yellow, 2900mcd, 30° 304UYC4B-Y2-4GD

<https://www.gme.cz/v/1496006/lucky-light-304uyc4b-y2-4gd-led-3mm-zluta>

4x LED 3mm, red, 2200mcd, 30° 304VC4B-V1-4ID

[LED 3mm, červená, 2200mcd, 30° 304VC4B-V1-4ID](#)

2xLED 5mm, red, 503VC2Z-V1-4KF

<https://www.gme.cz/v/1495989/lucky-light-503vc2z-v1-4kf-led-5mm-cervena>

Light module:

https://www.bighobby.cz/12-led-control-car-system/?gclid=Cj0KCQiAqOucBhDrARIsAPCQL1bv-gc5WmtuG0QIMUrx0IIVyjjvh_3hybVLsfp2DzNEkz0Ato82B5kaApXXEALw_wcB

Recommended print settings:

Nozzle: 0.4 mm

Extrusion width: 0.4 mm - 0.5 mm

Layer height: 0.15 mm - 0.25 mm

Fill: 5% - 50%

Perimeters: 3

Parts that are to be printed differently have this indicated in the title or in the instructions.

Print speed: 70 mm/s, outside perimeters 30 mm/s

Temperatures: 220°C HE, 50°C HB

Parts printed with support have "support" in the title.

This is my recommended printer setting,

however, you can also use your proven ones, and I recommend that. No one knows your printer better than YOU.

Before gluing the parts, test their seating.

**Use a file to compare the contact surfaces,
sharp knife or sandpaper.**

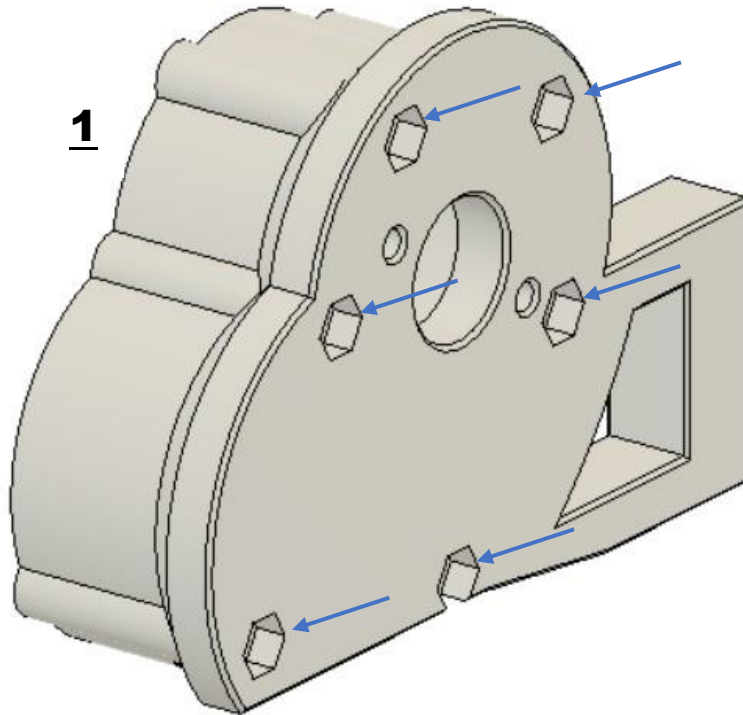
**The most common problem is "elephant leg" - the
extension of the print**

on the mat. This needs to be sharpened.

Also, carefully plan the placement of the seams.

Gearbox

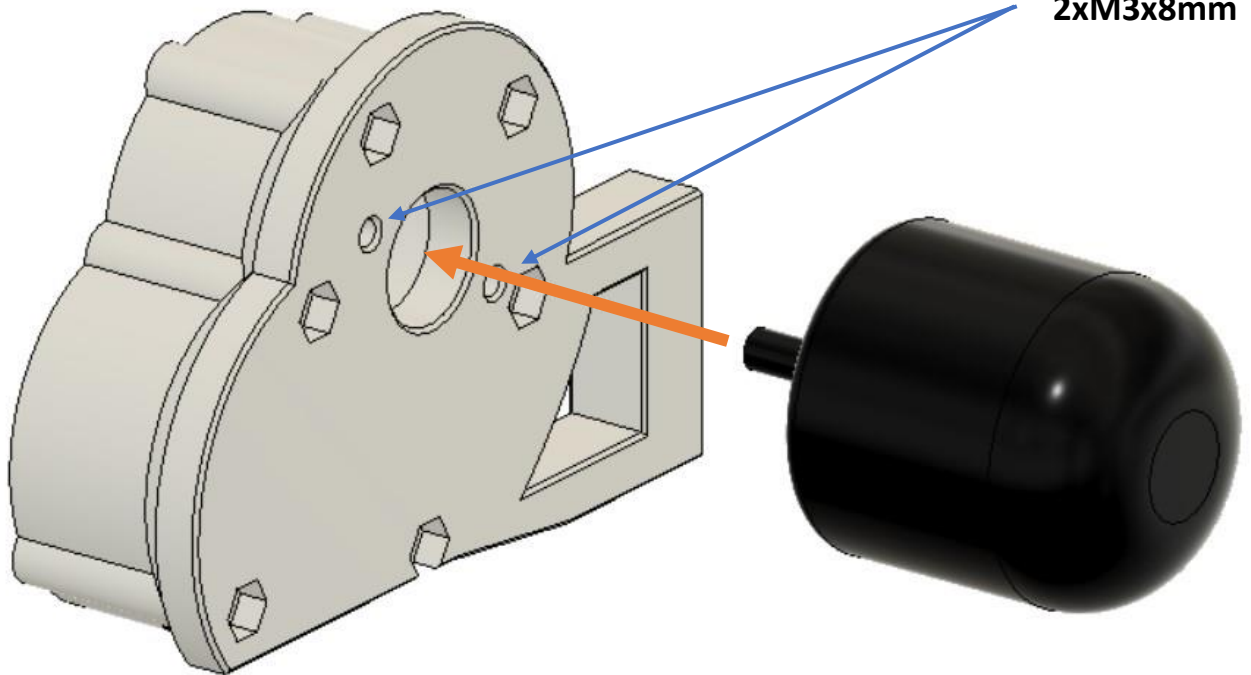
1



6xM3



2xM3x8mm



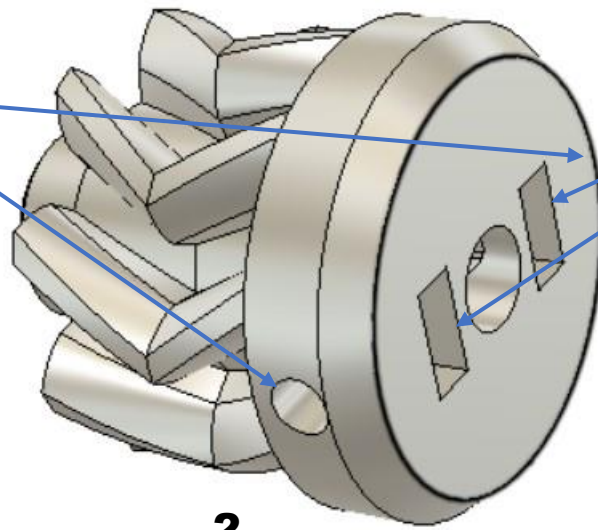
Gearbox



2xM3x8mm

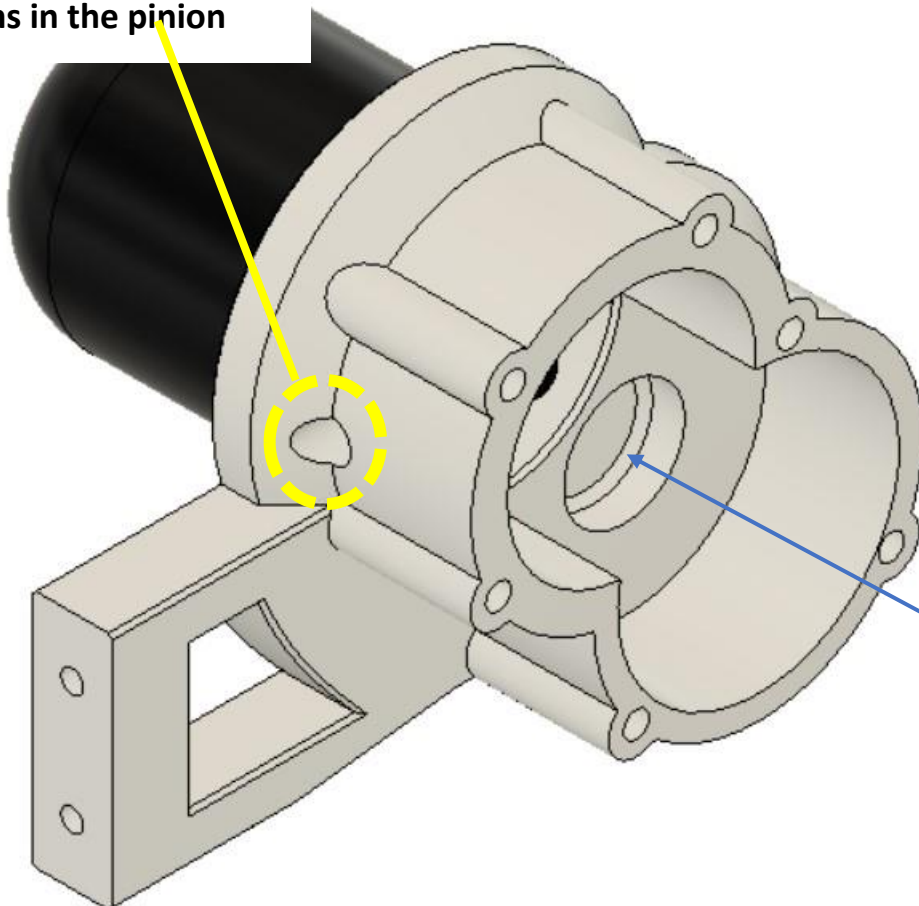


2xM3



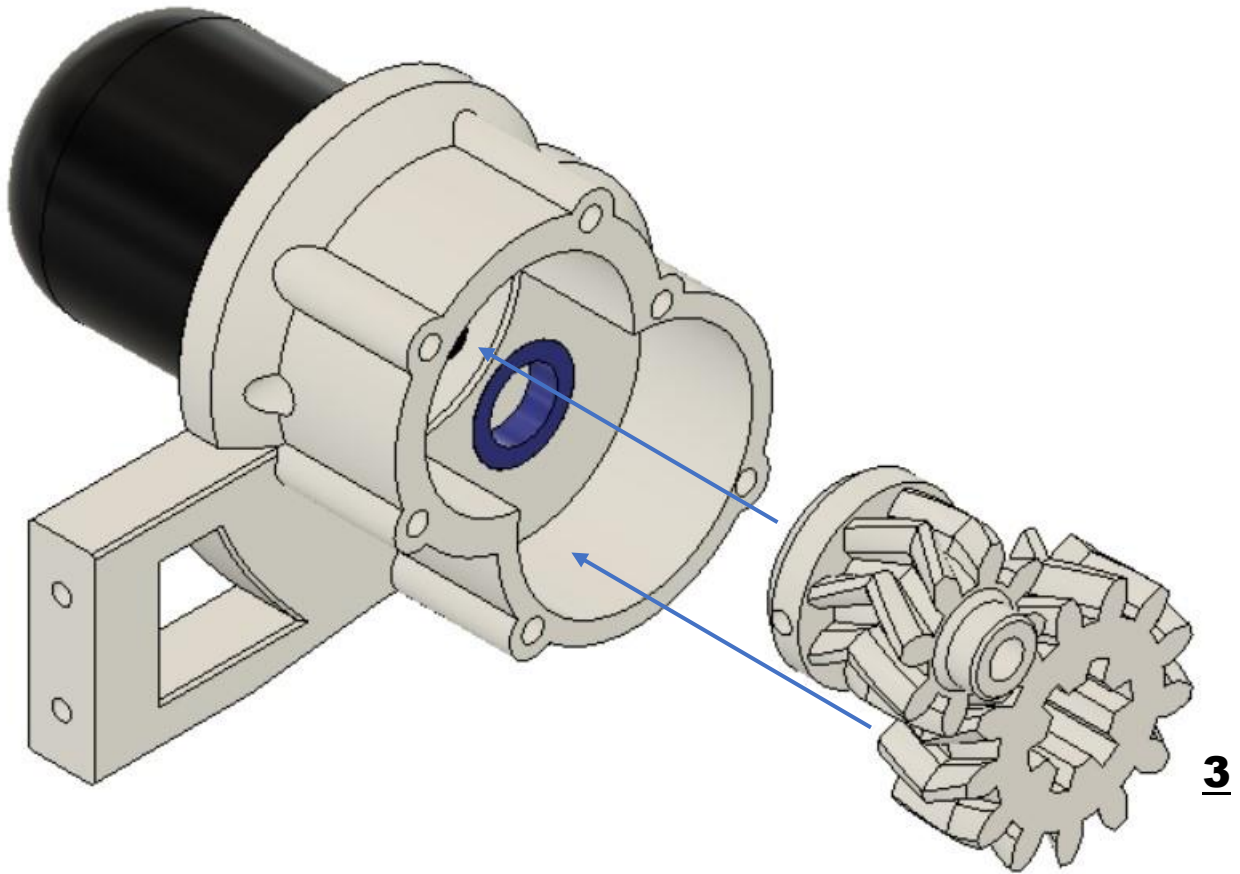
2

Hole for tightening the worms in the pinion

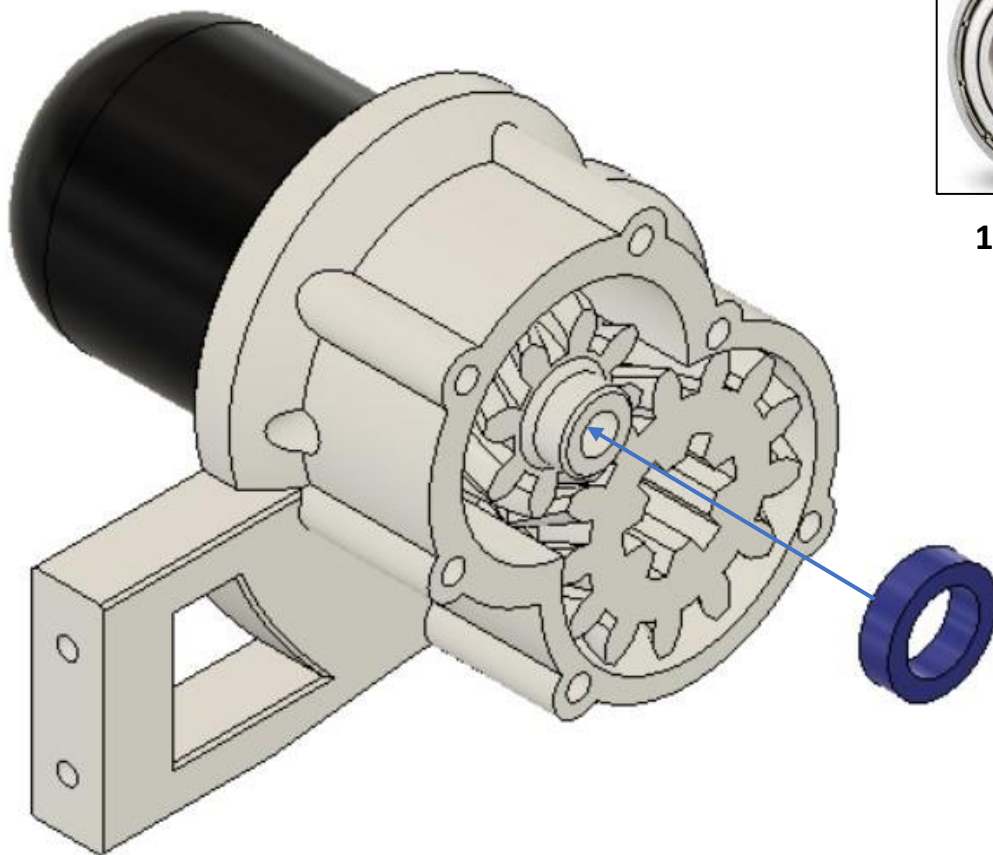


10x15x4mm

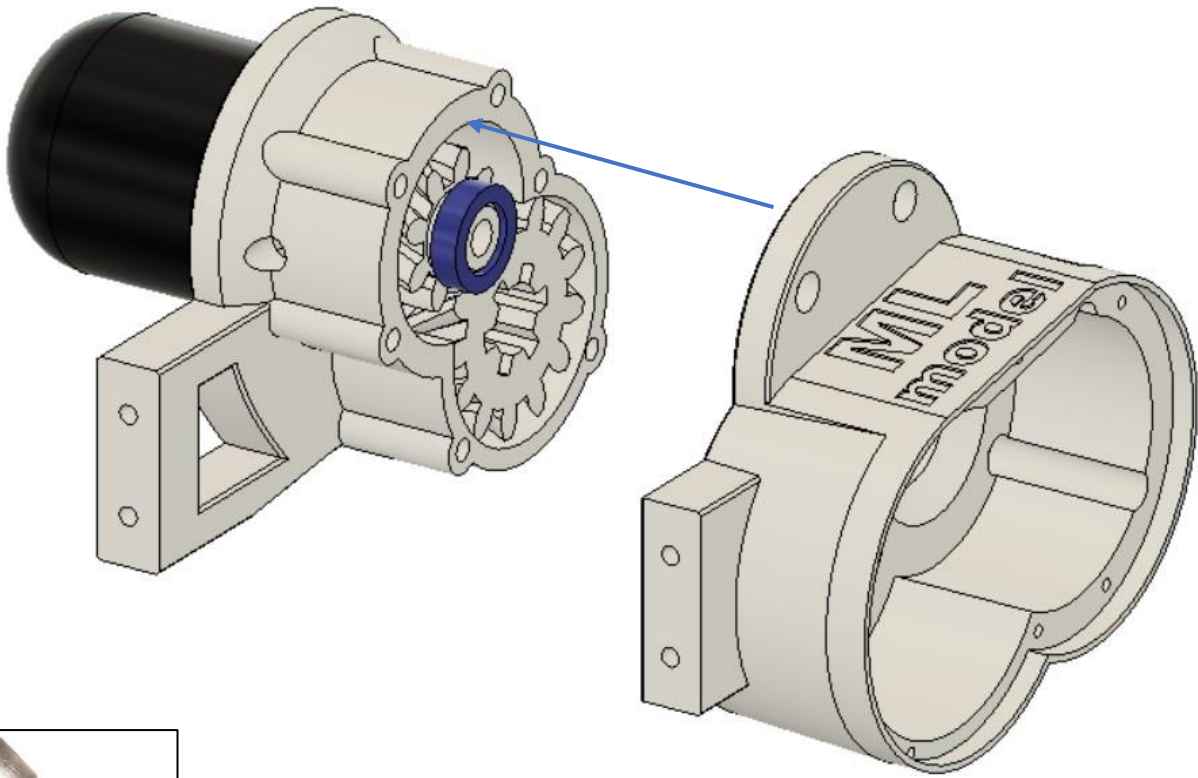
Gearbox



10x15x4mm



Gearbox



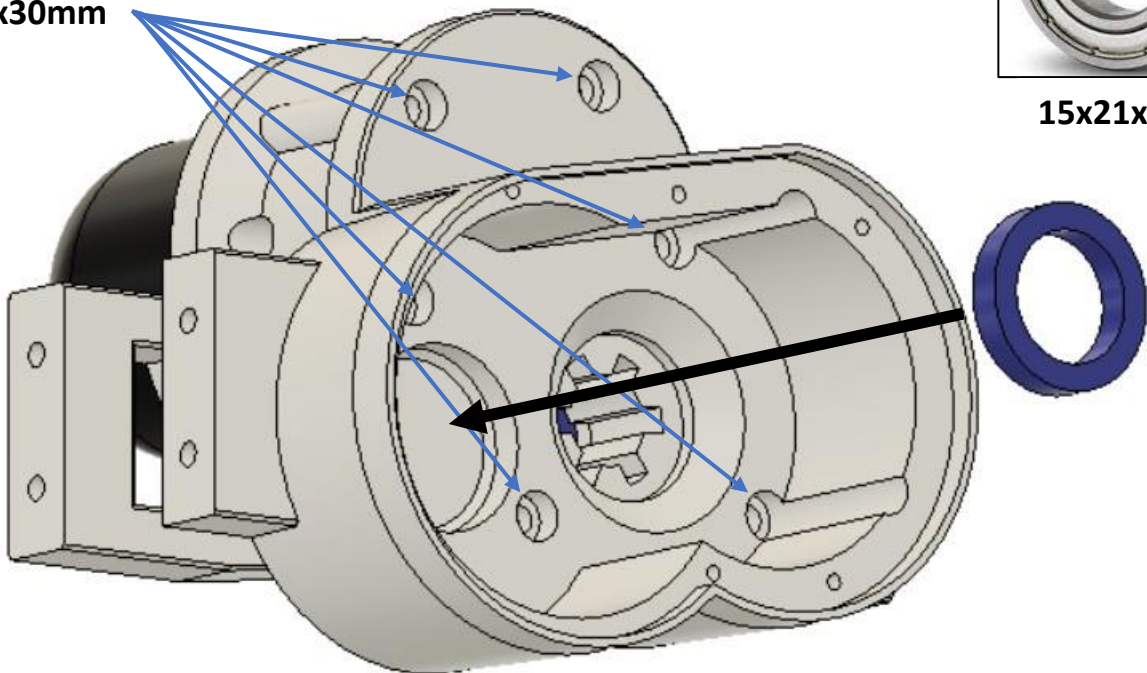
4



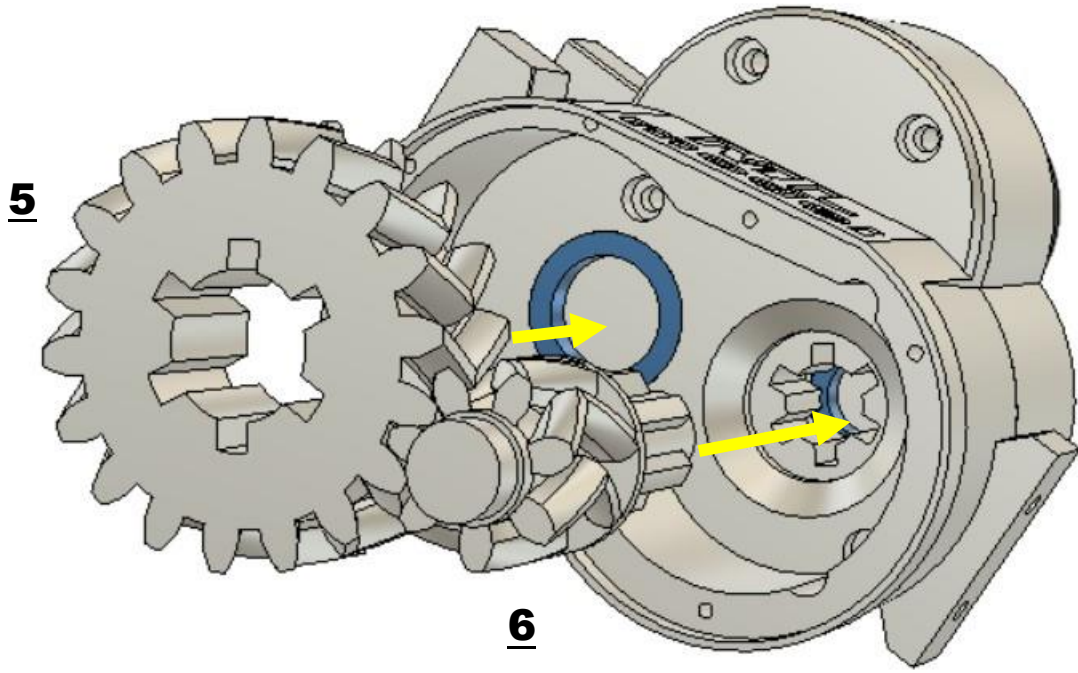
6xM3x30mm



15x21x4mm



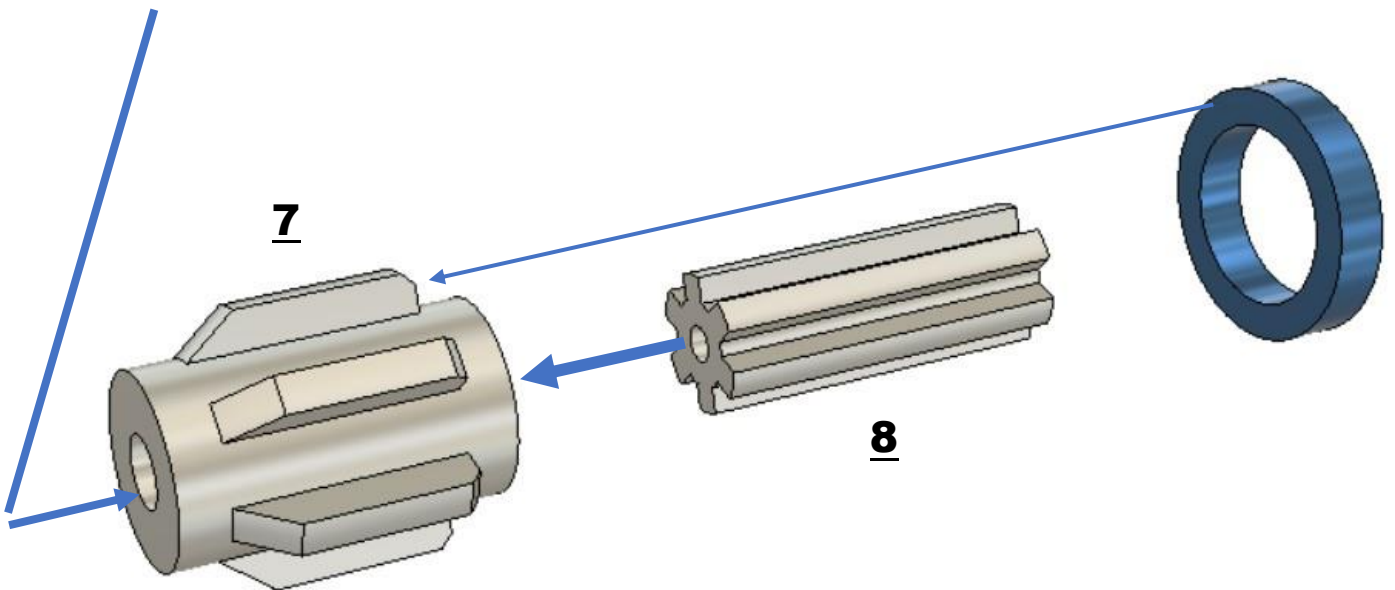
Gearbox



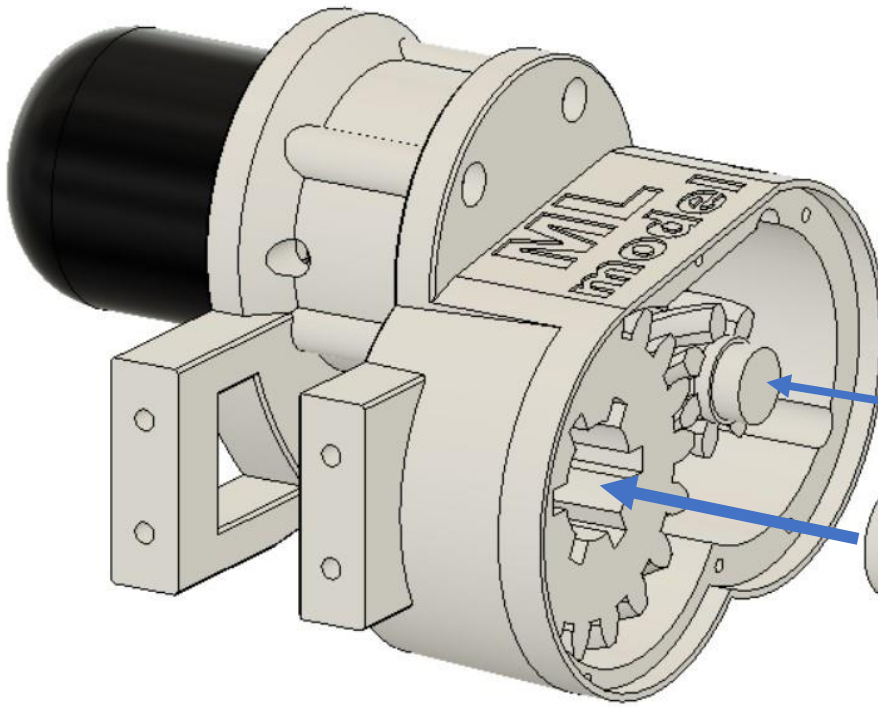
M3x10mm



15x21x4mm



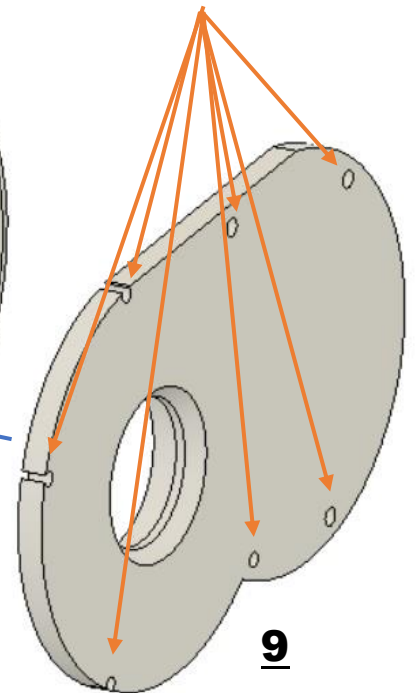
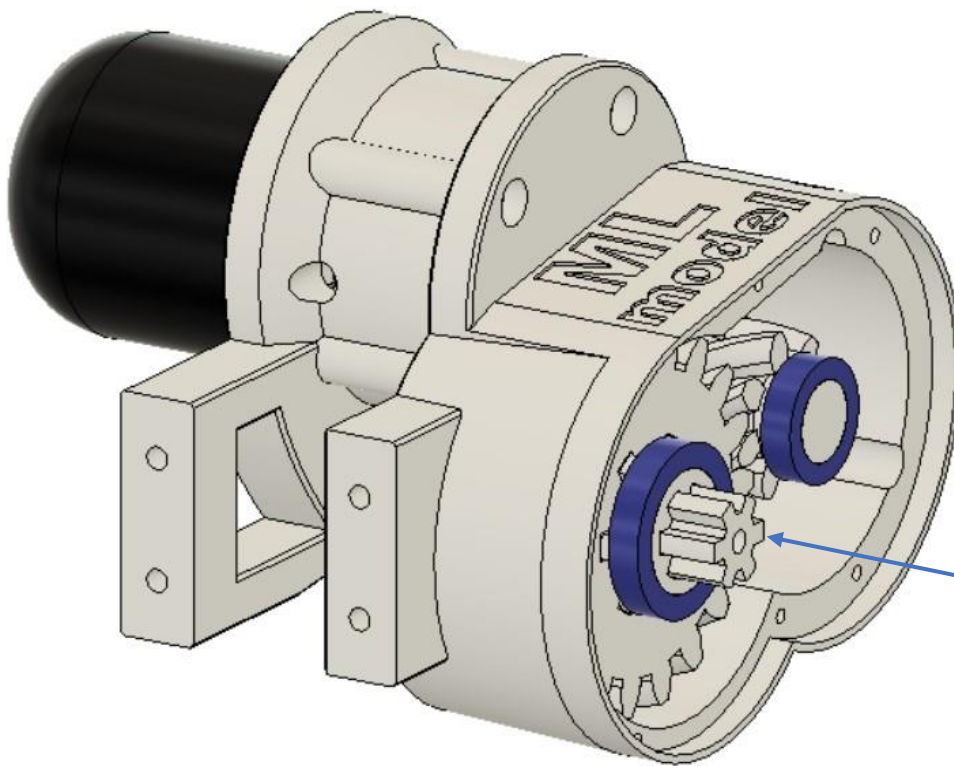
Gearbox



10x15x4mm

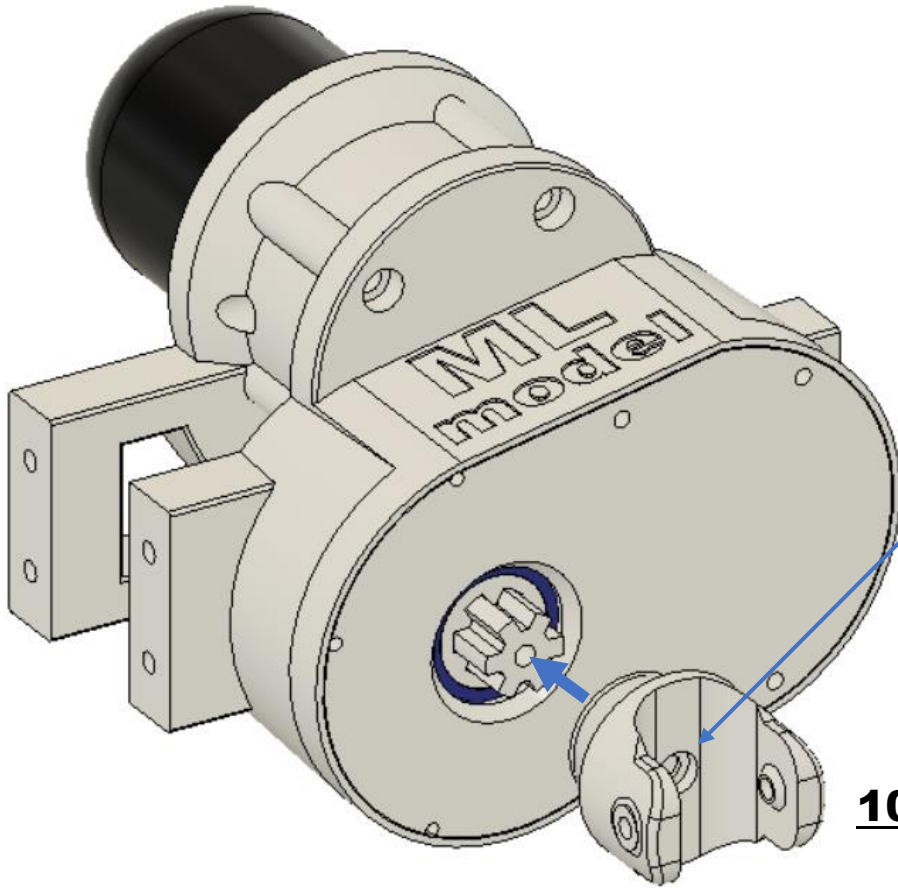


7xM2x8mm

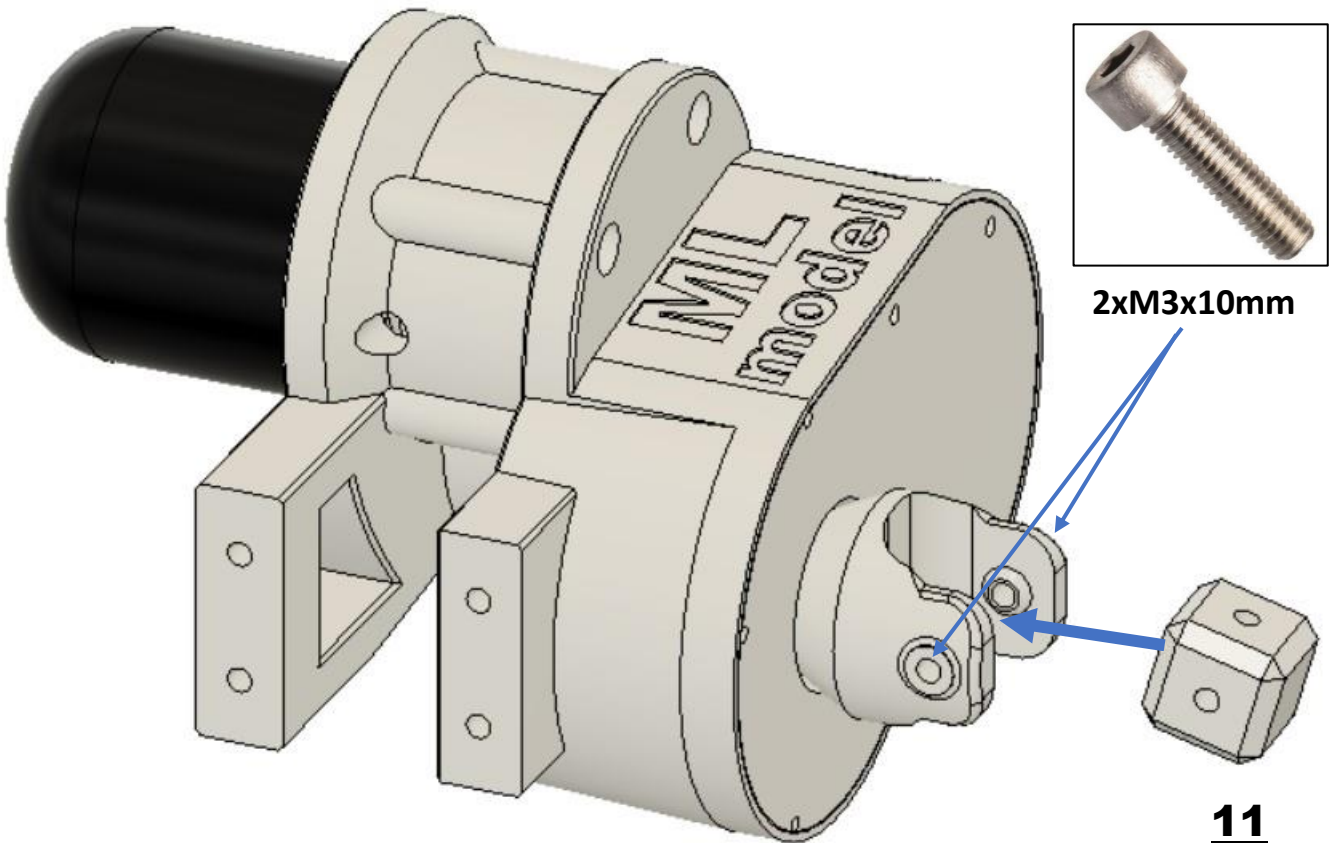


19

Gearbox

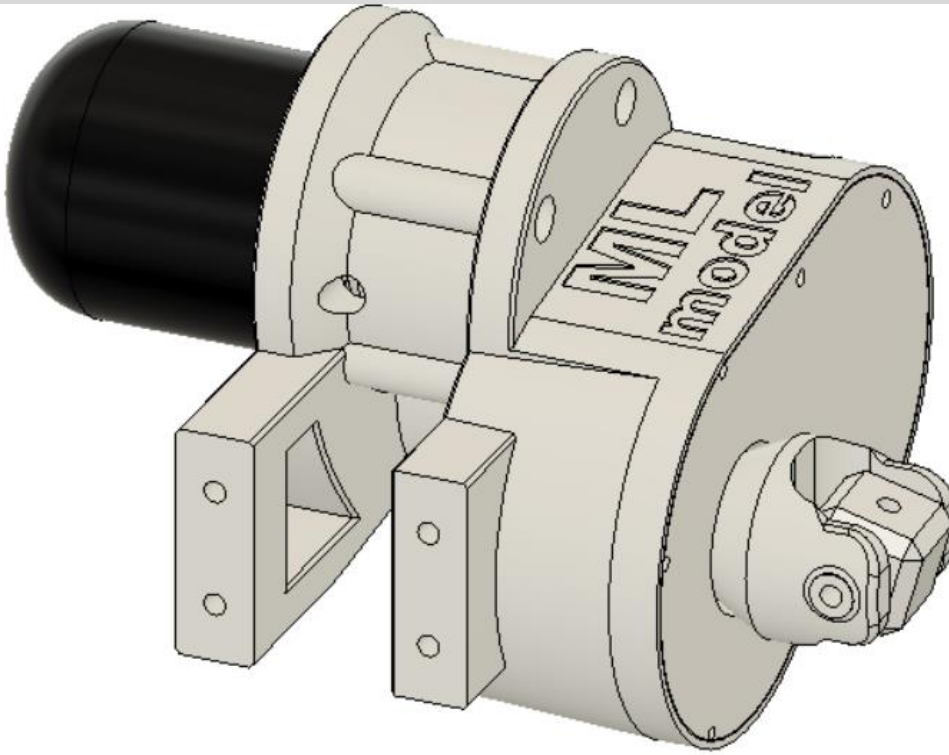


M3x10mm



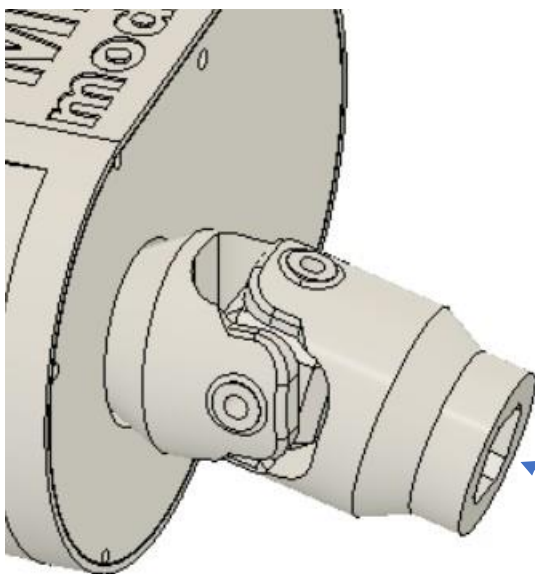
2xM3x10mm

Gearbox



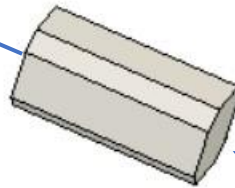
2xM3x10mm

12



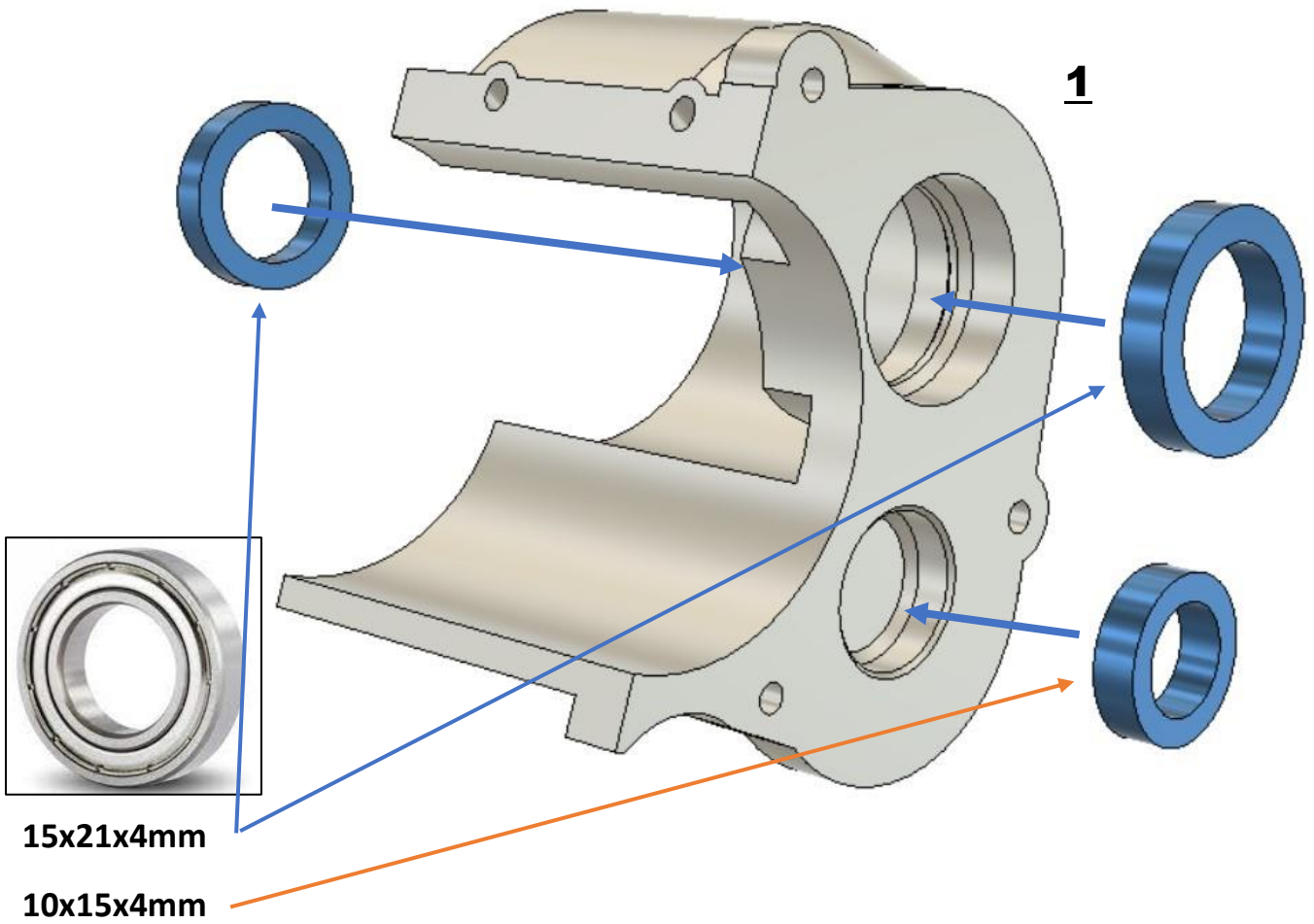
DO NOT STICK!!

13

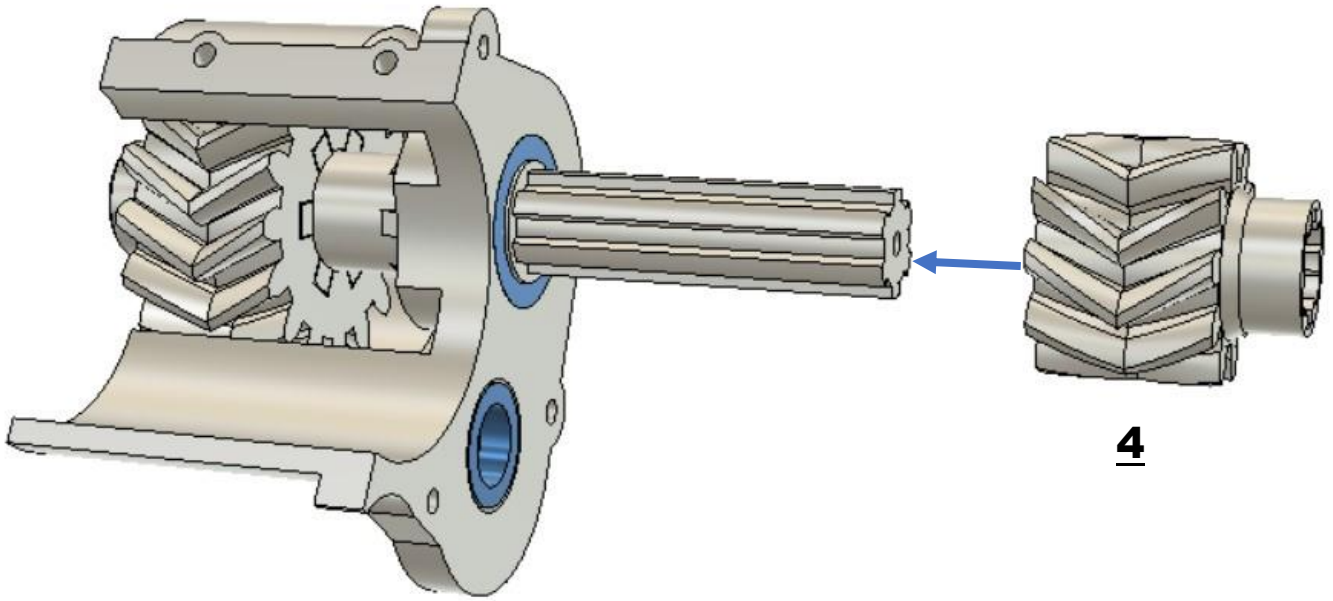


14

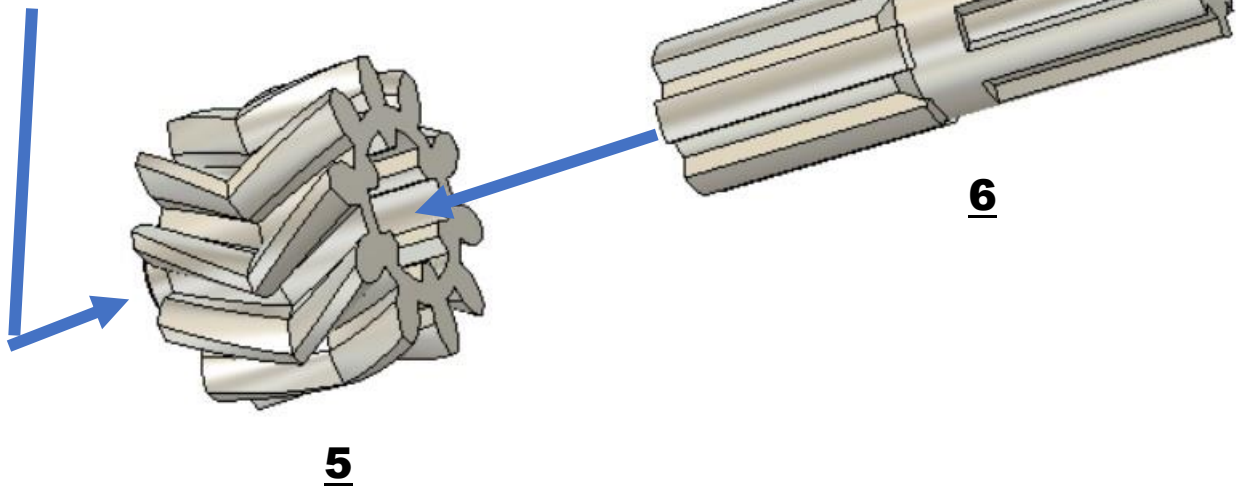
2-Speed Gearbox



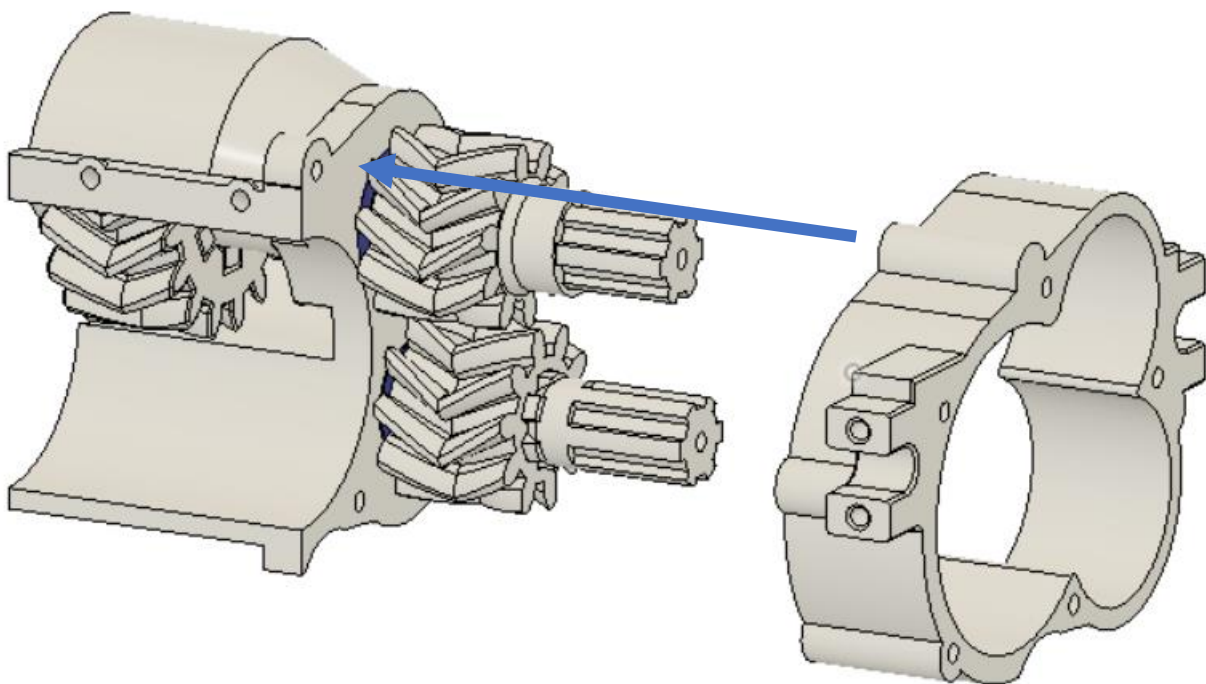
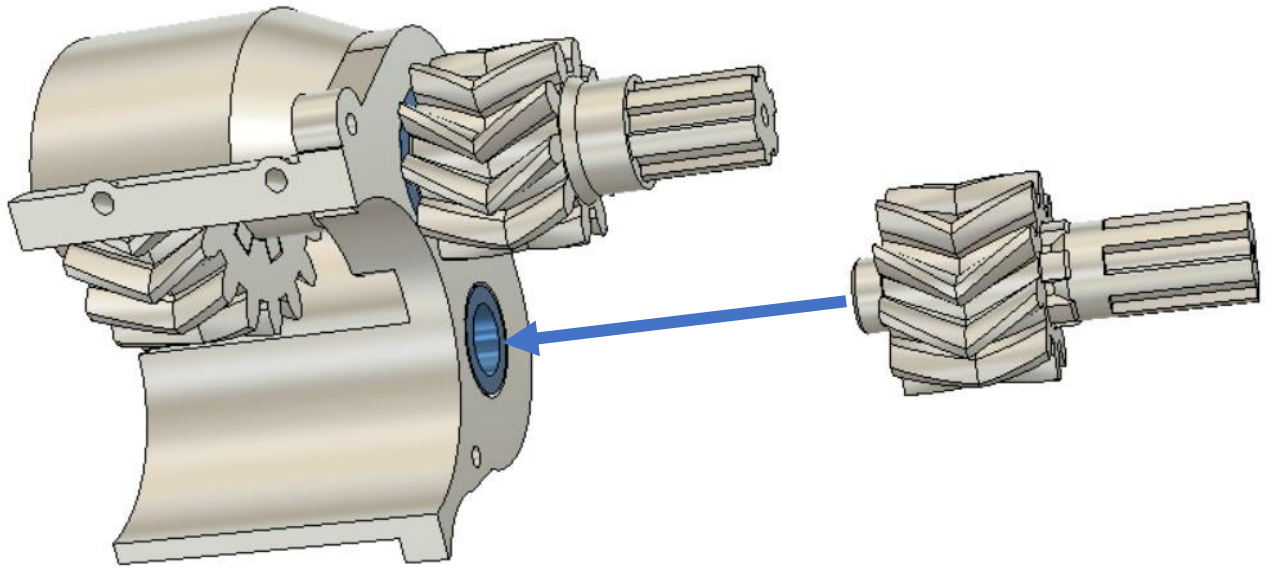
2-SpeedGearbox



M3x10mm



2-SpeedGearbox

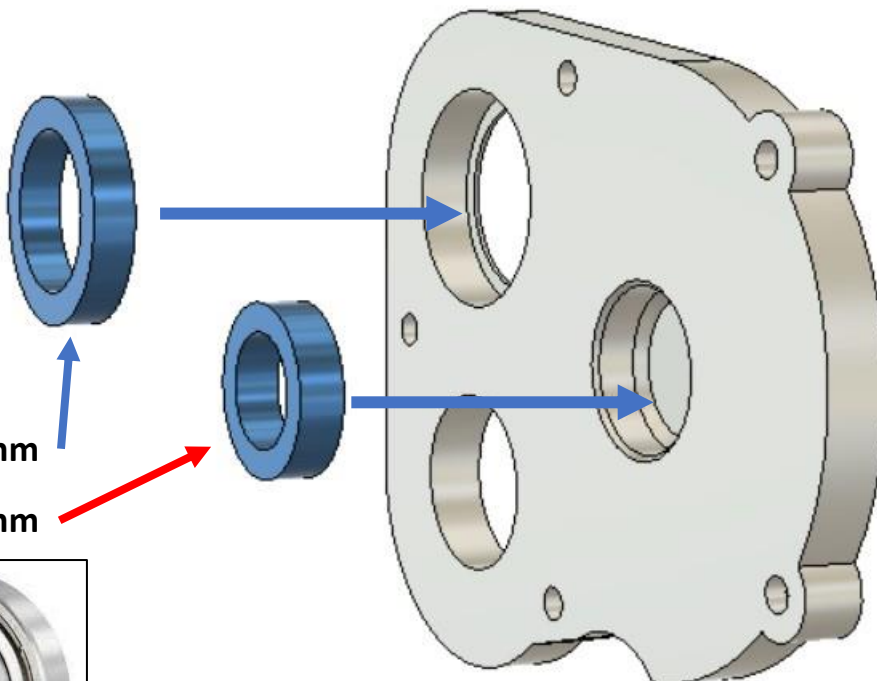
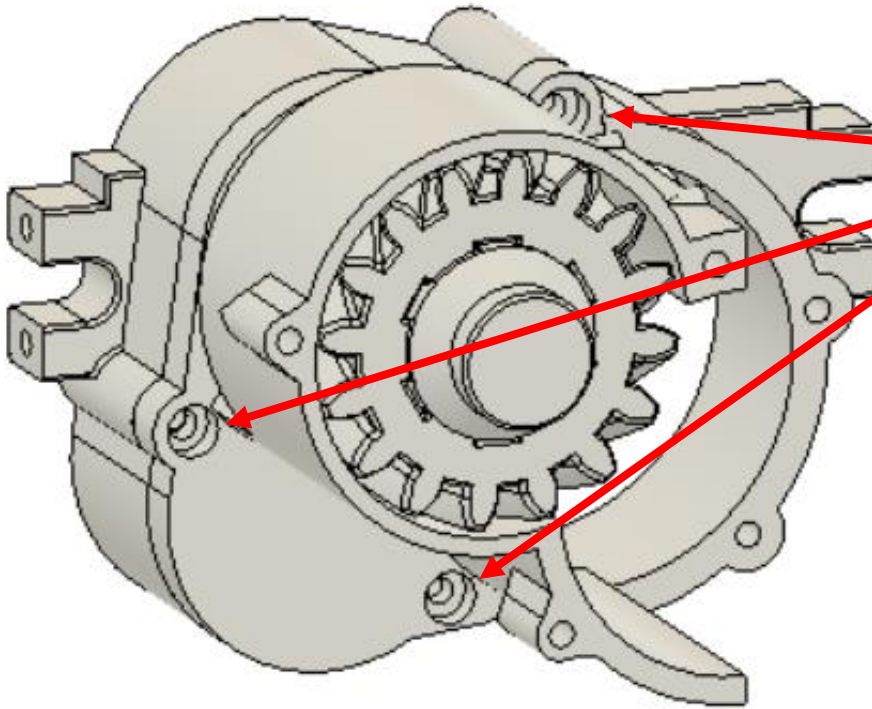


7

2-SpeedGearbox



3xM3x12mm



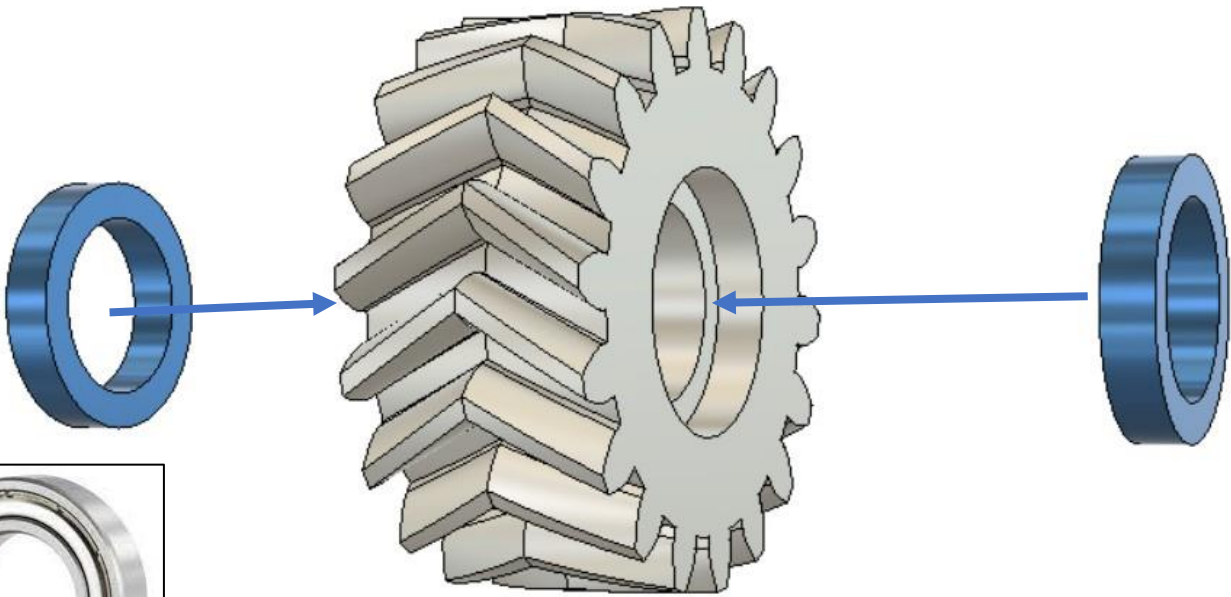
15x21x4mm

10x15x4mm



8

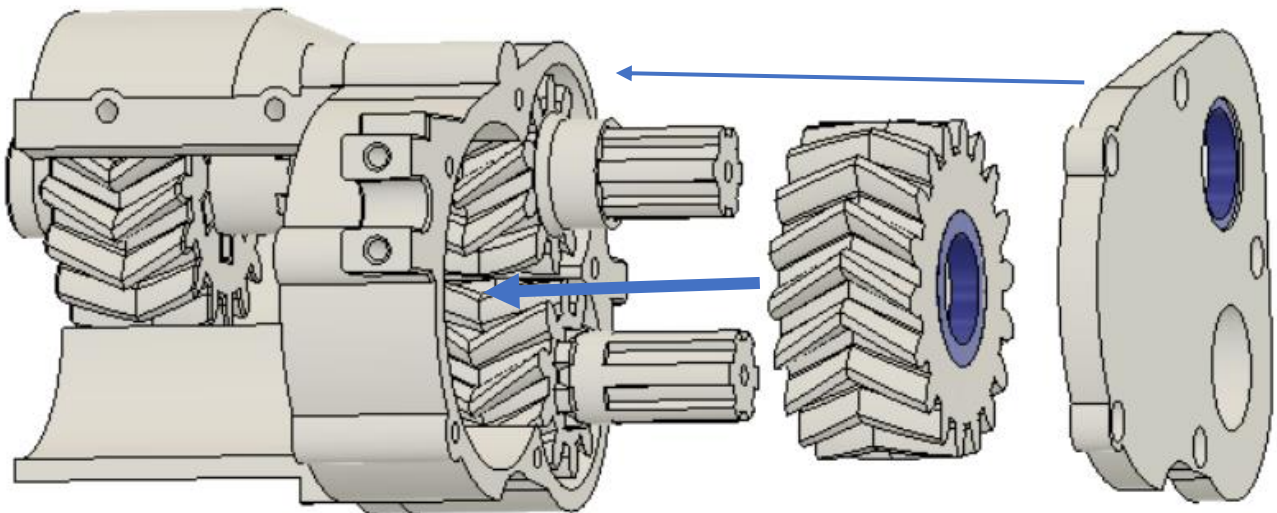
2-SpeedGearbox



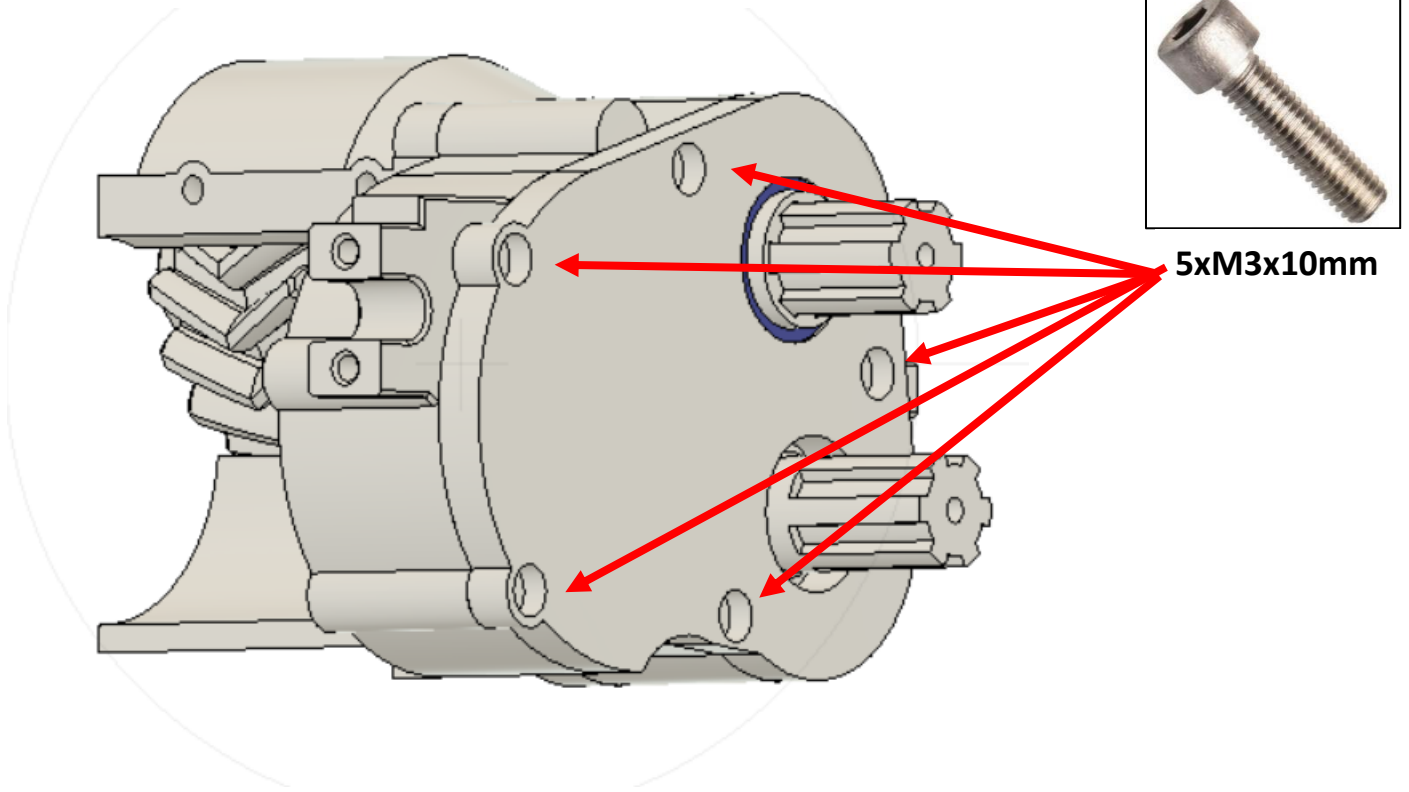
9



15x21x4mm

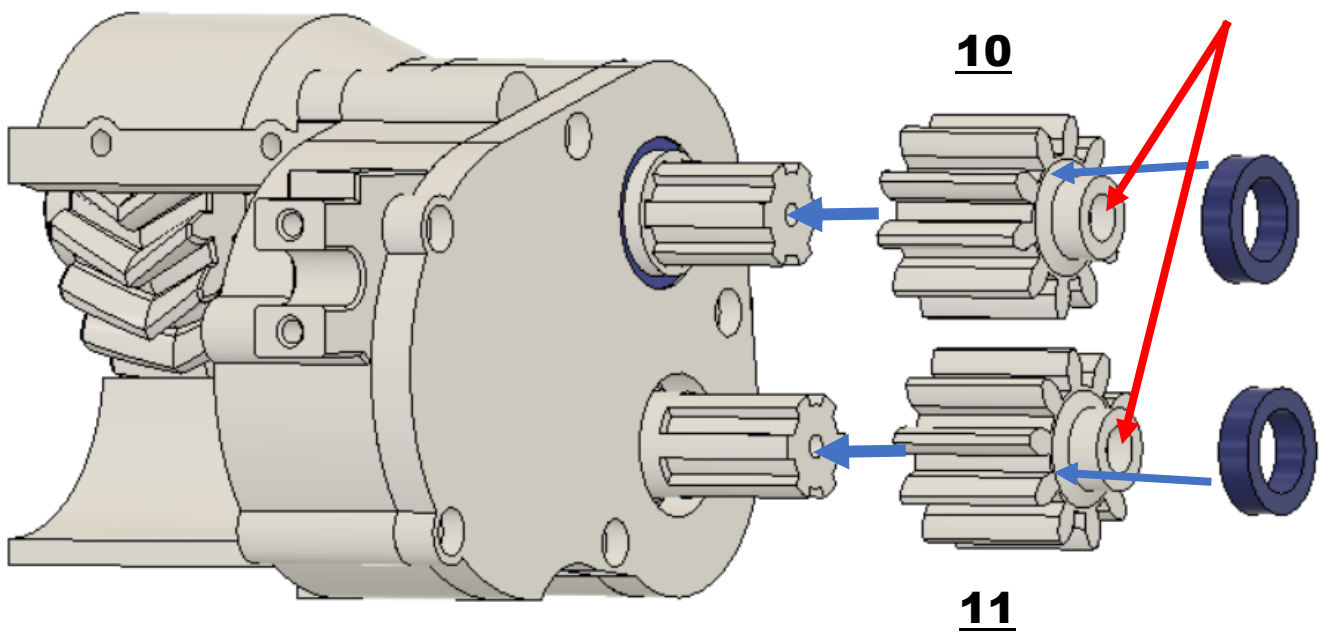


2-SpeedGearbox



10x15x4mm

2xM3x10mm



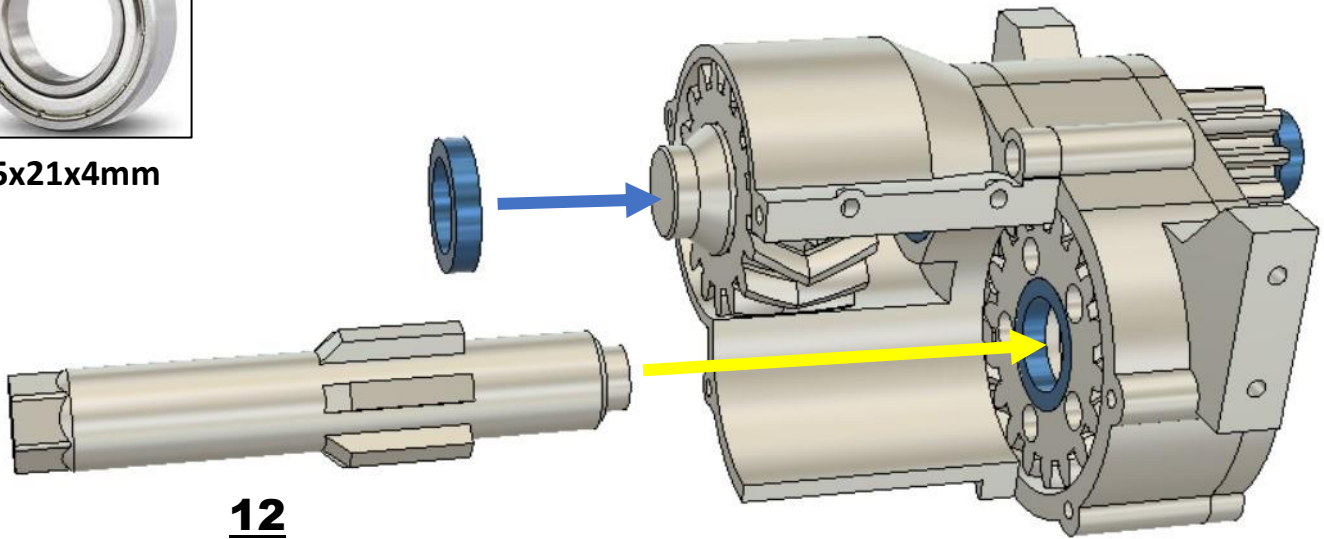
10

11

2-SpeedGearbox



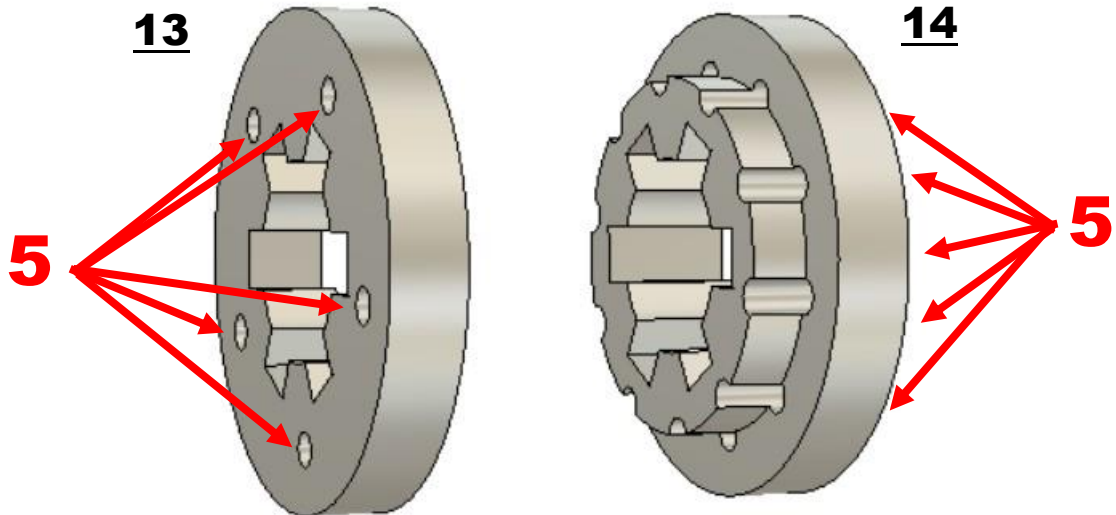
15x21x4mm



12



10xM3x16mm



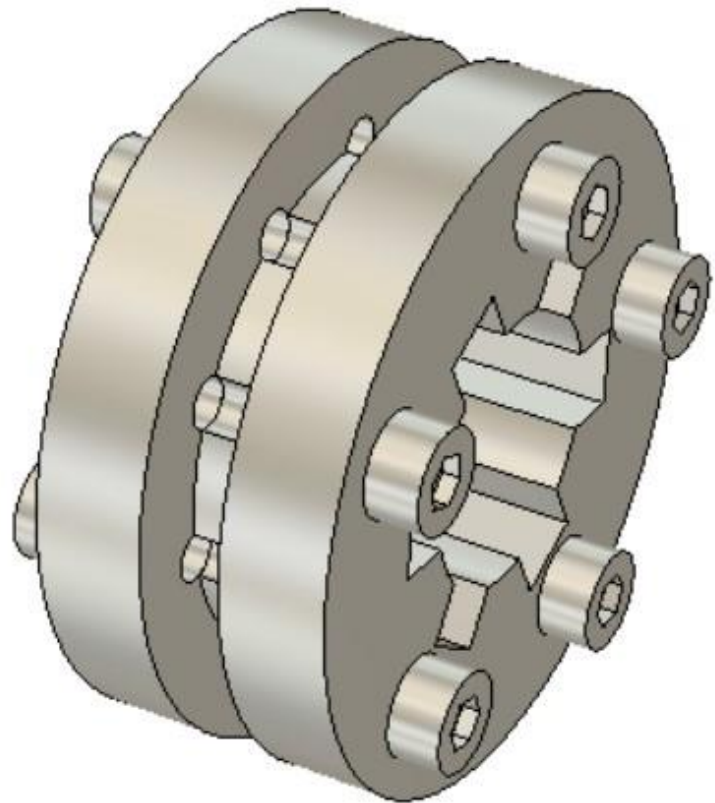
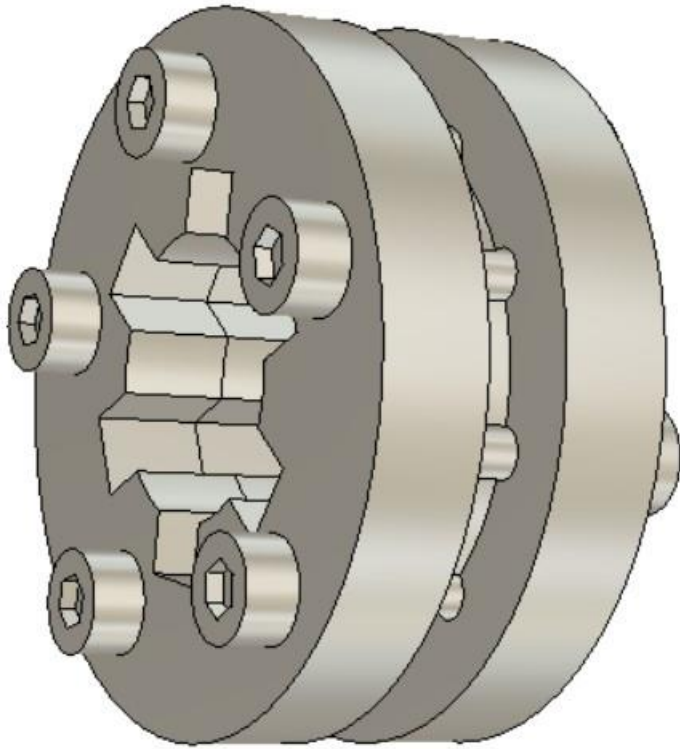
13

14

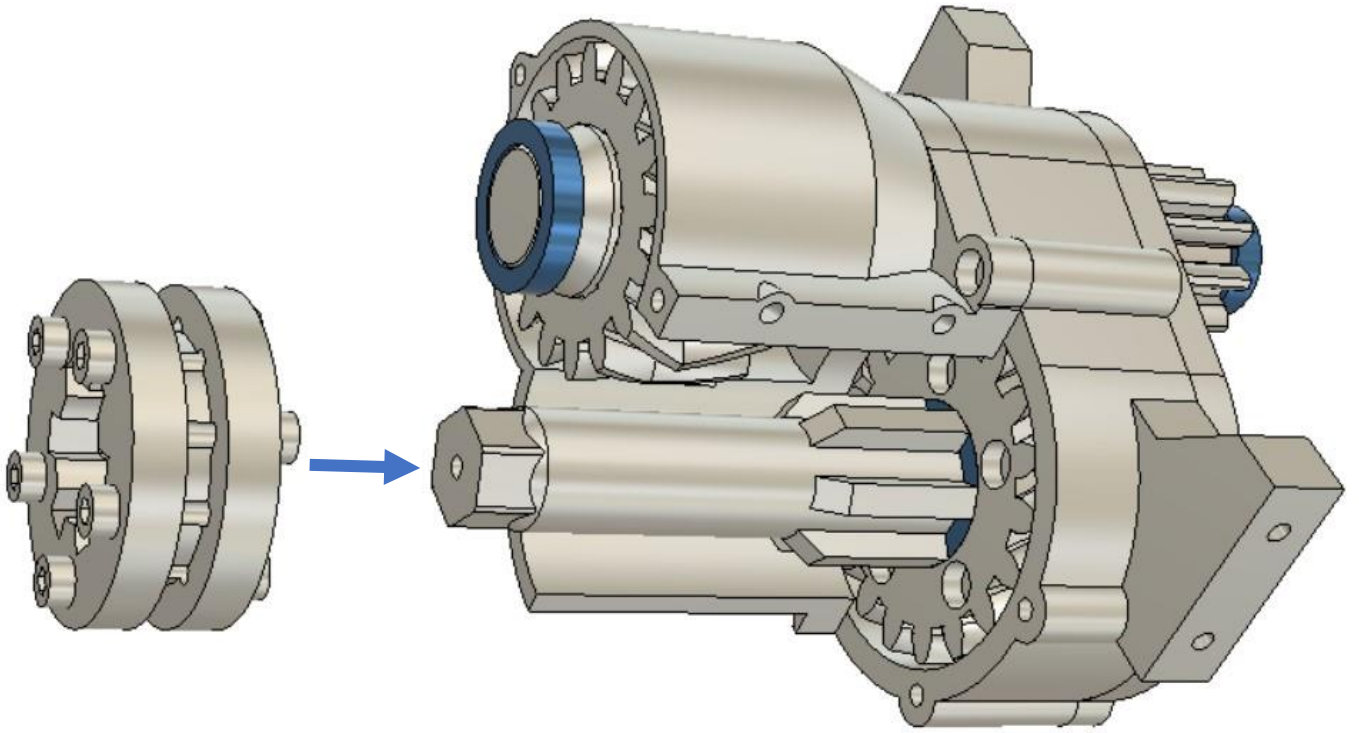
5

5

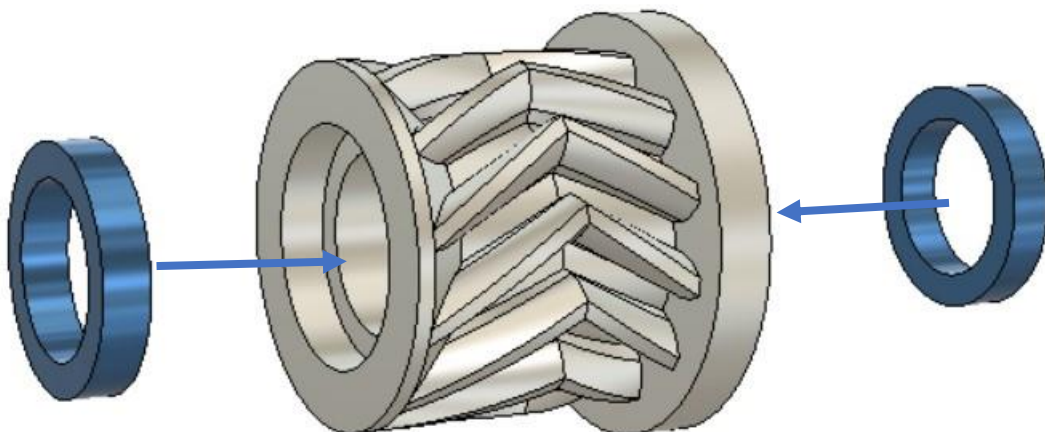
2-Speed Gearbox



2-SpeedGearbox

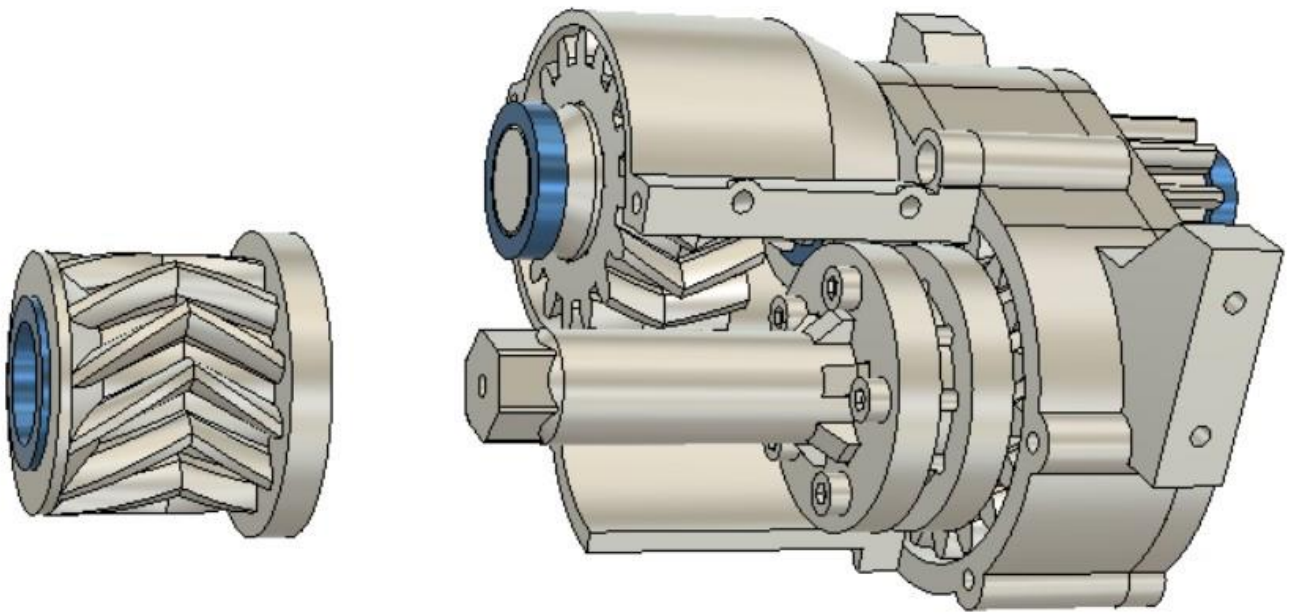


15x21x4mm

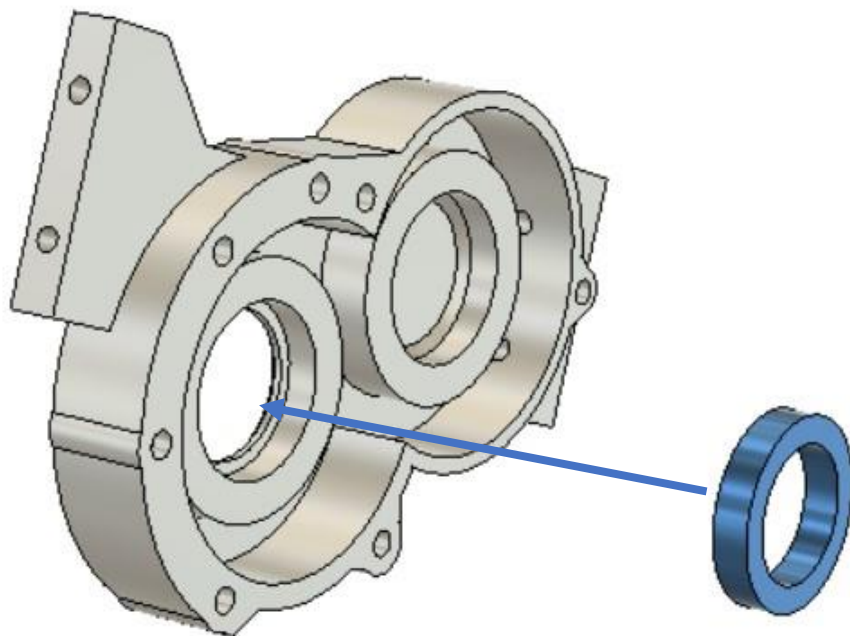


15

2-SpeedGearbox

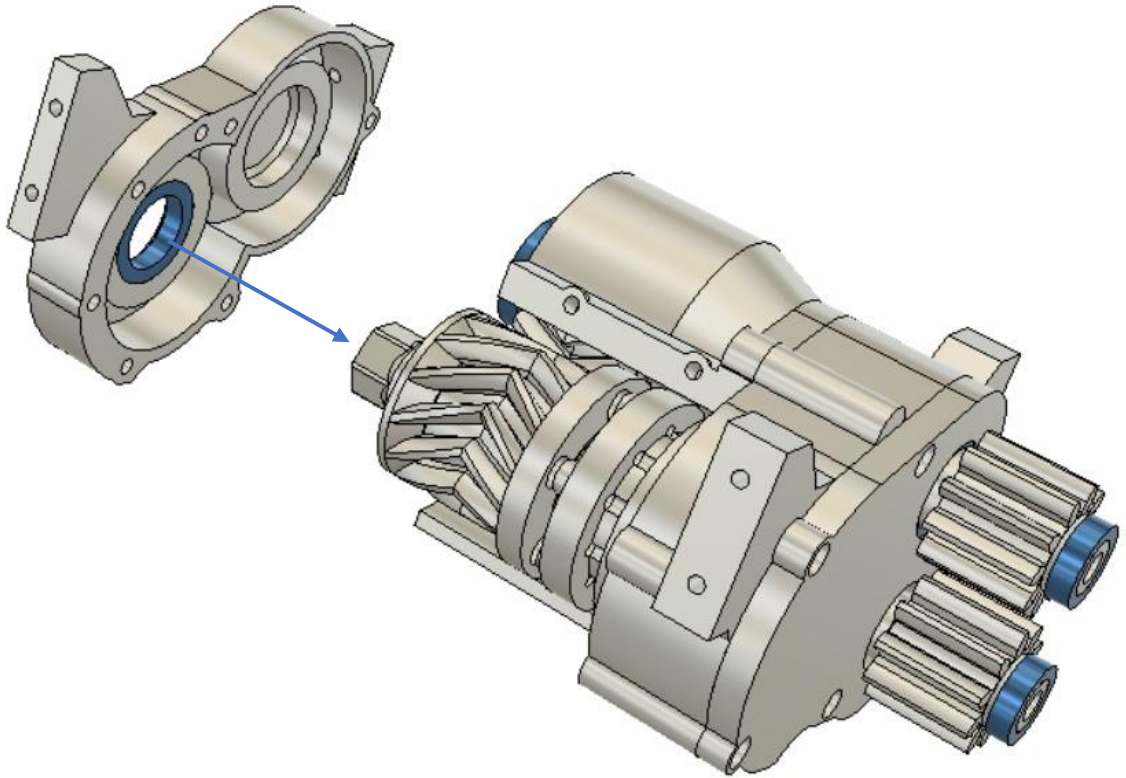


15x21x4mm

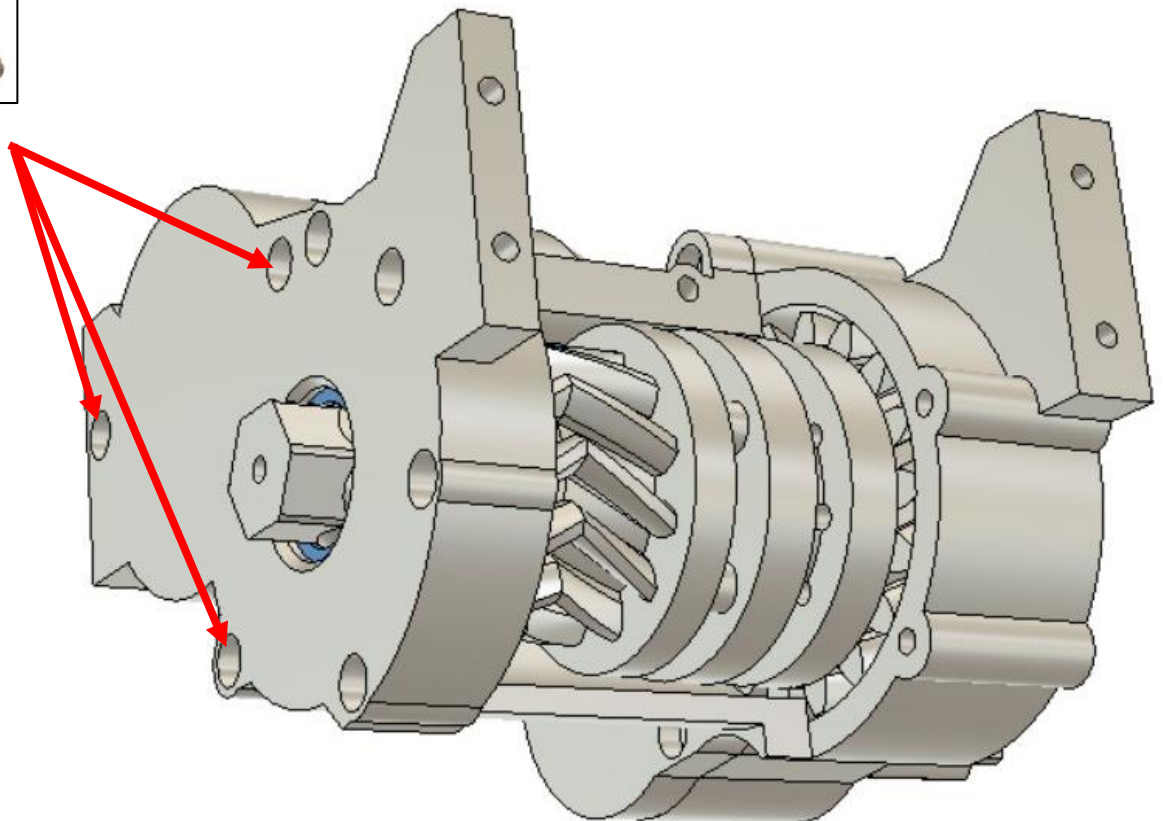


16

2-SpeedGearbox

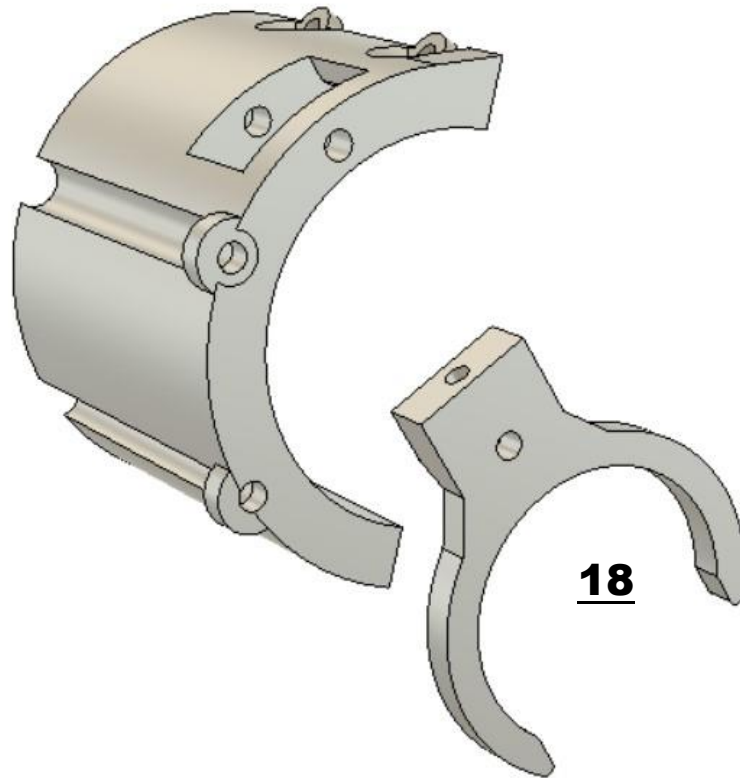


3xM3x10mm



2-SpeedGearbox

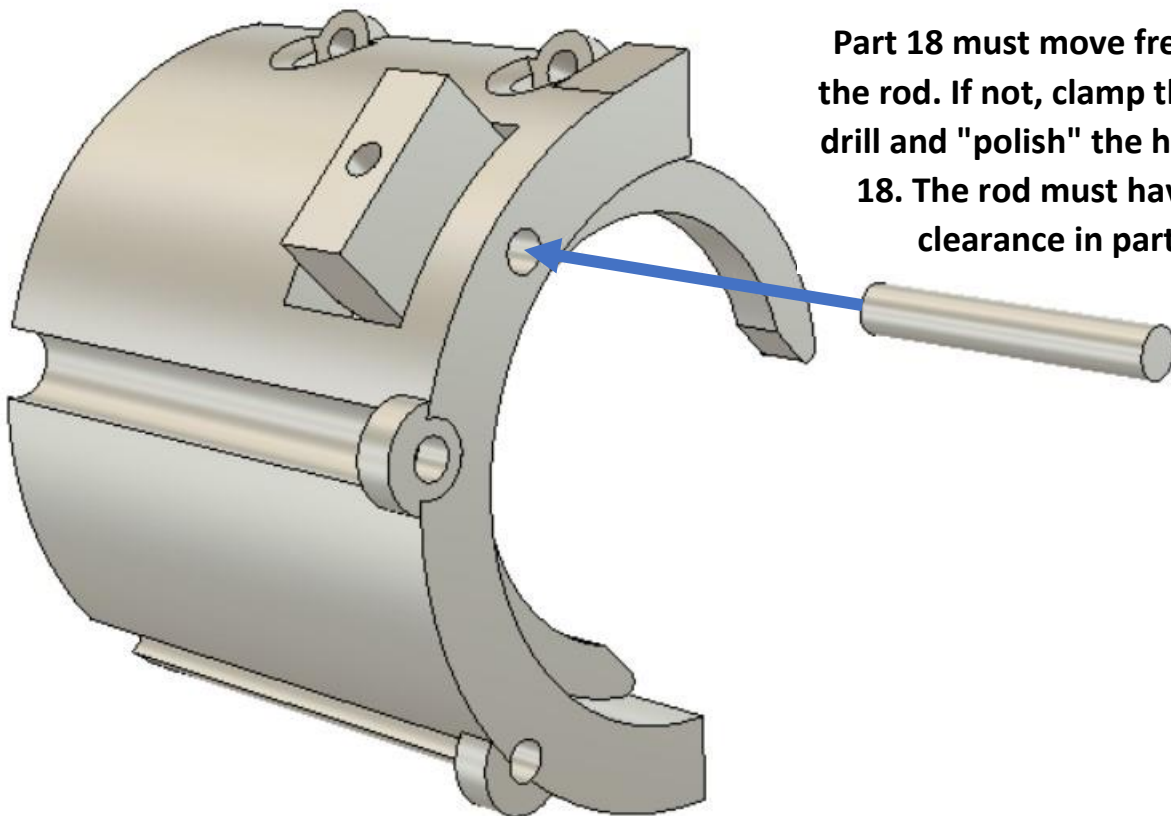
17



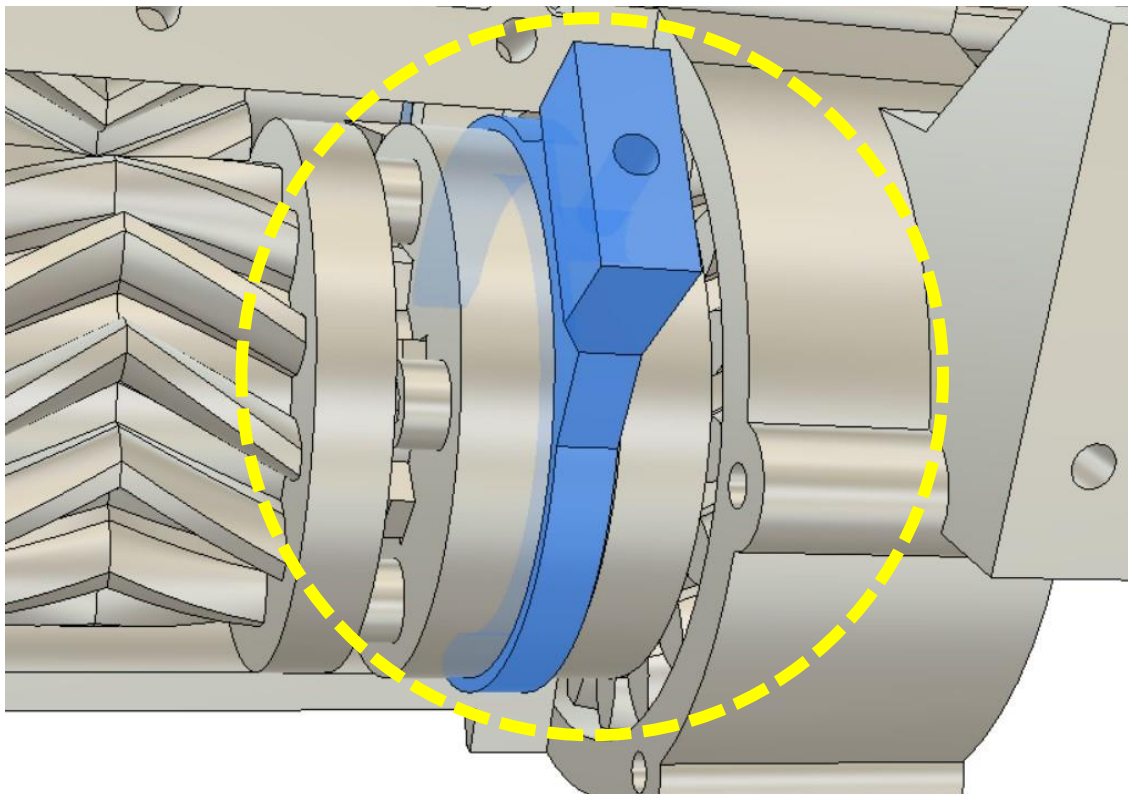
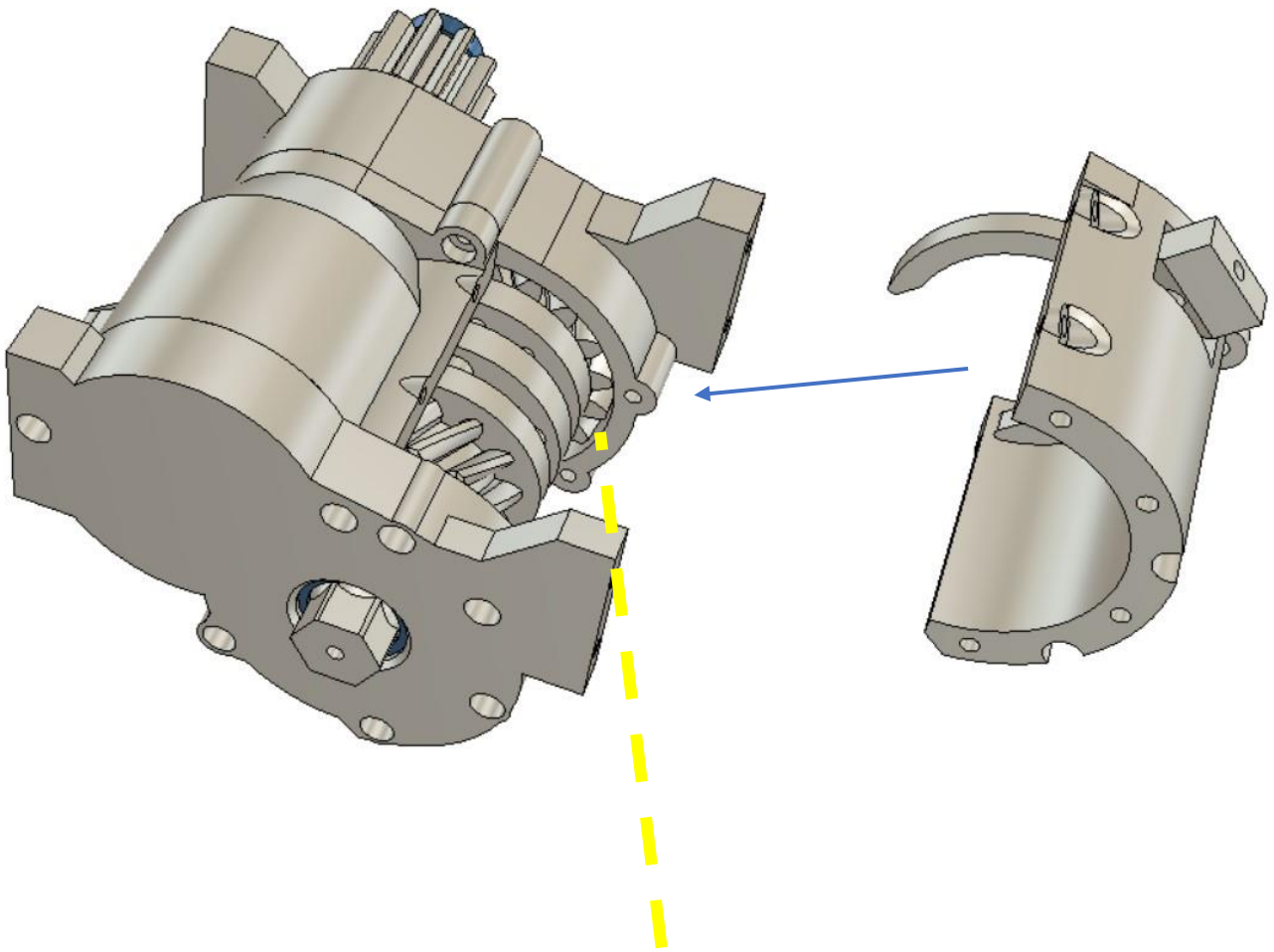
18

3x20mm - polished rod or steel wire and or shaft.

Part 18 must move freely along the rod. If not, clamp the rod in a drill and "polish" the hole in part 18. The rod must have some clearance in part 18.



2-SpeedGearbox

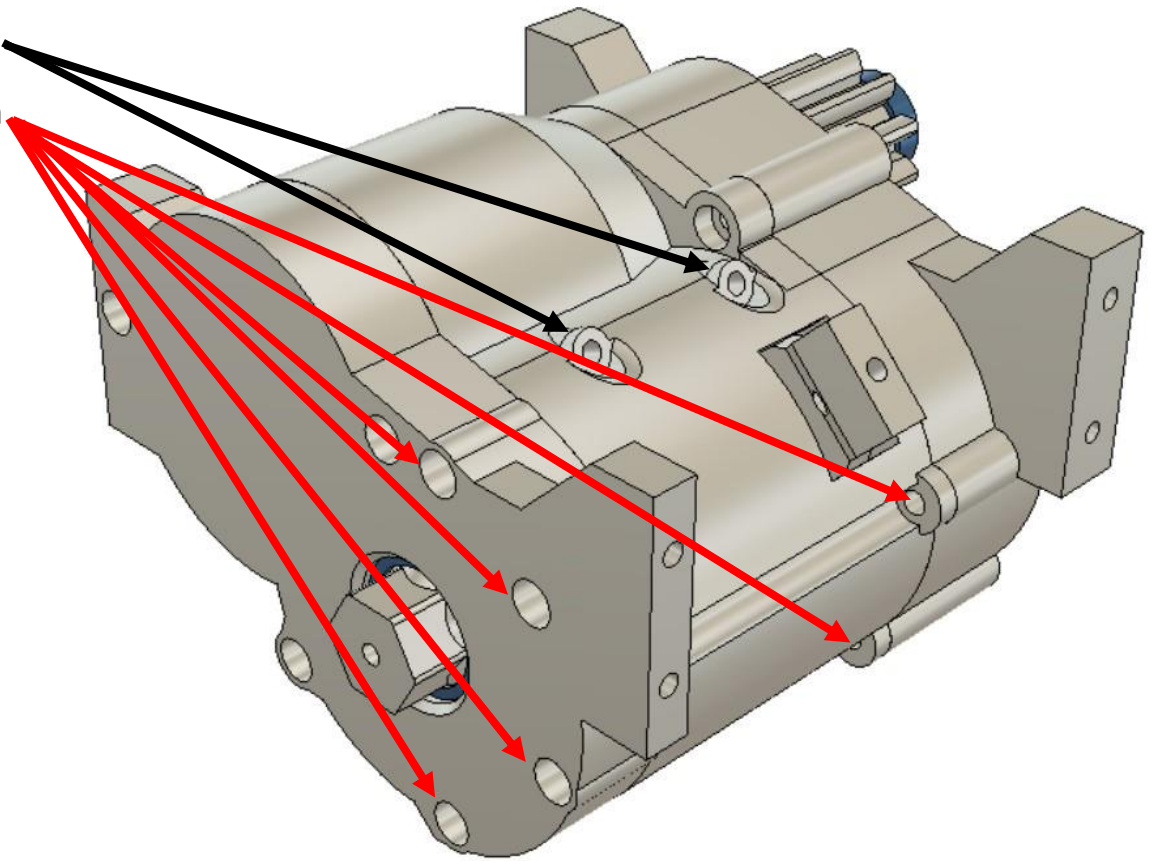


2-SpeedGearbox



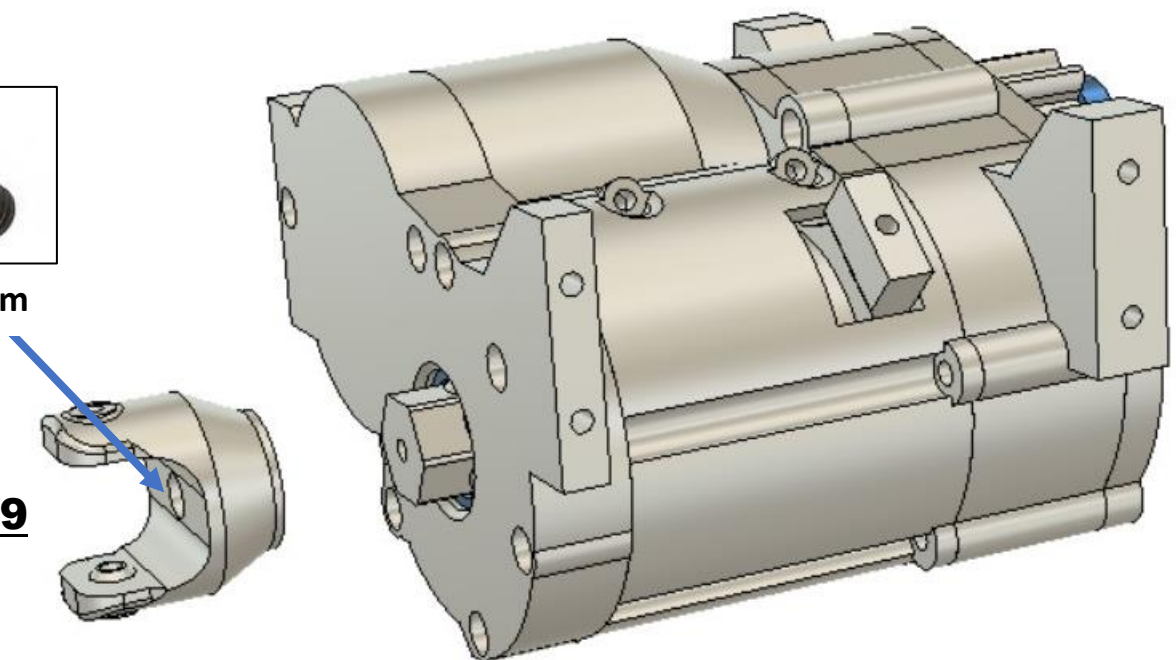
2xM3x8mm

6xM3x10mm



M3x10mm

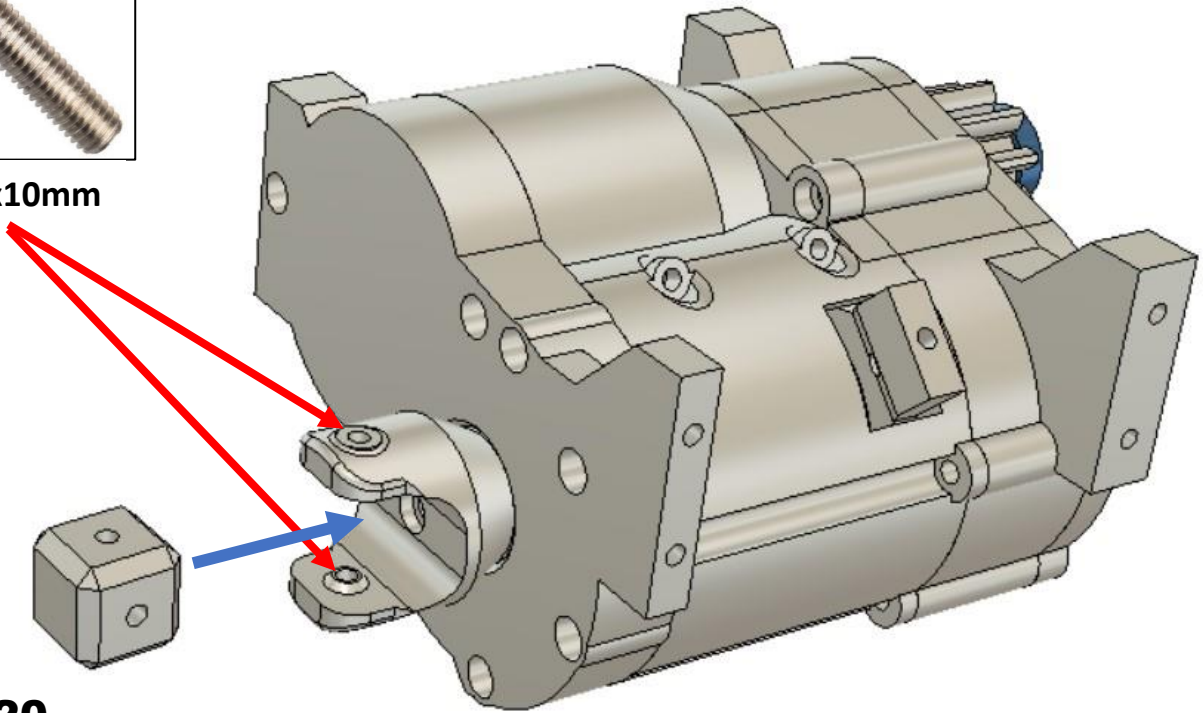
19



2-SpeedGearbox



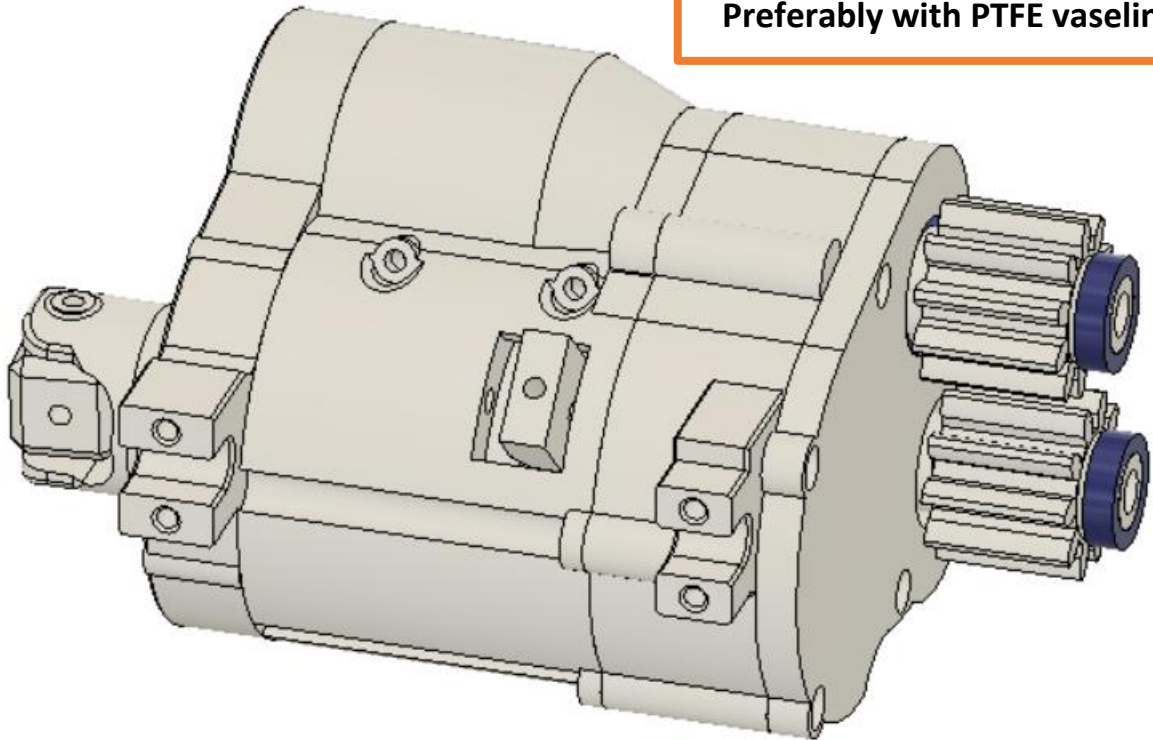
2xM3x10mm



20

Lubricate all the gears inside the gearboxes properly.

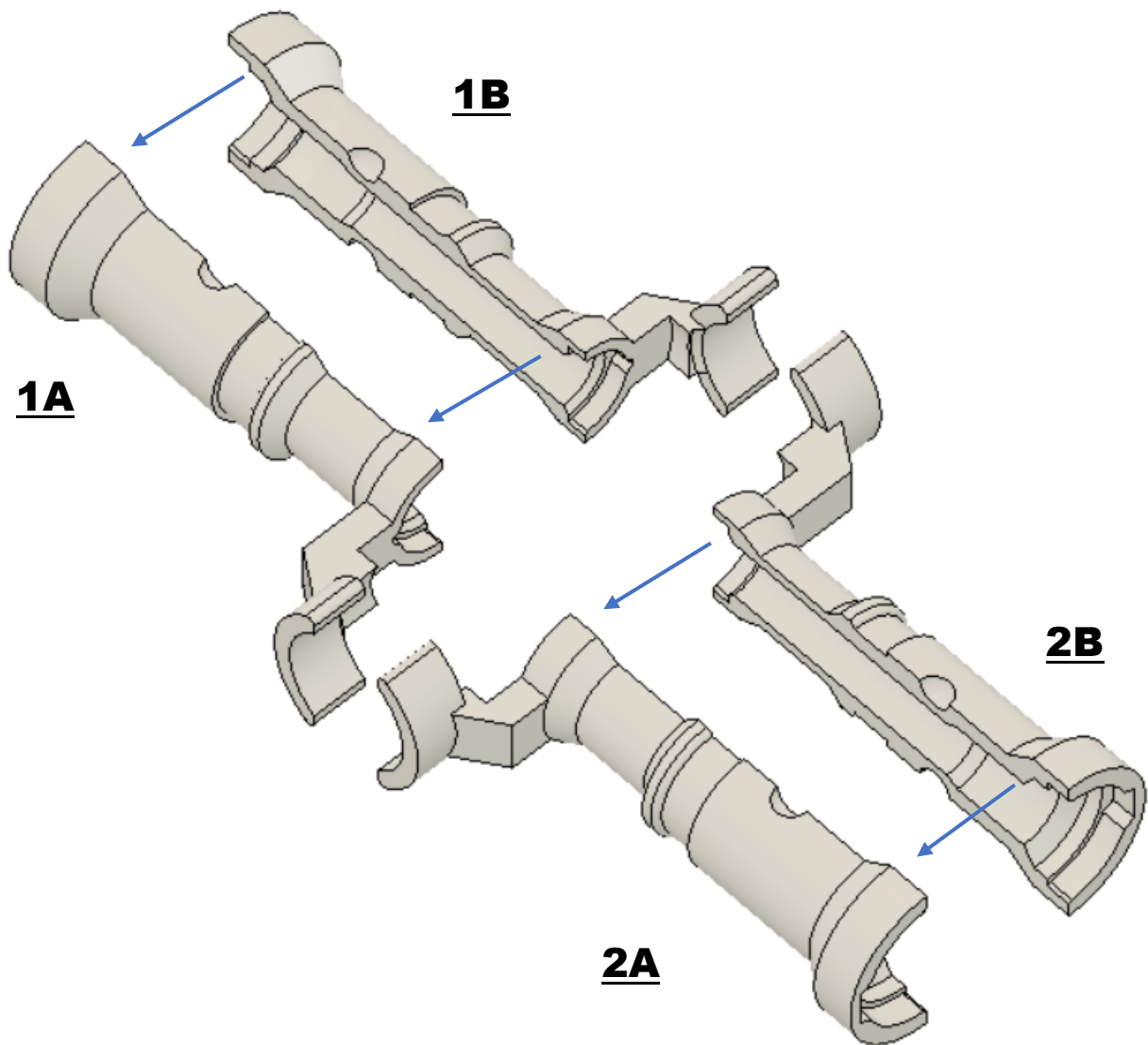
Preferably with PTFE vaseline.



CentralPipe



2x



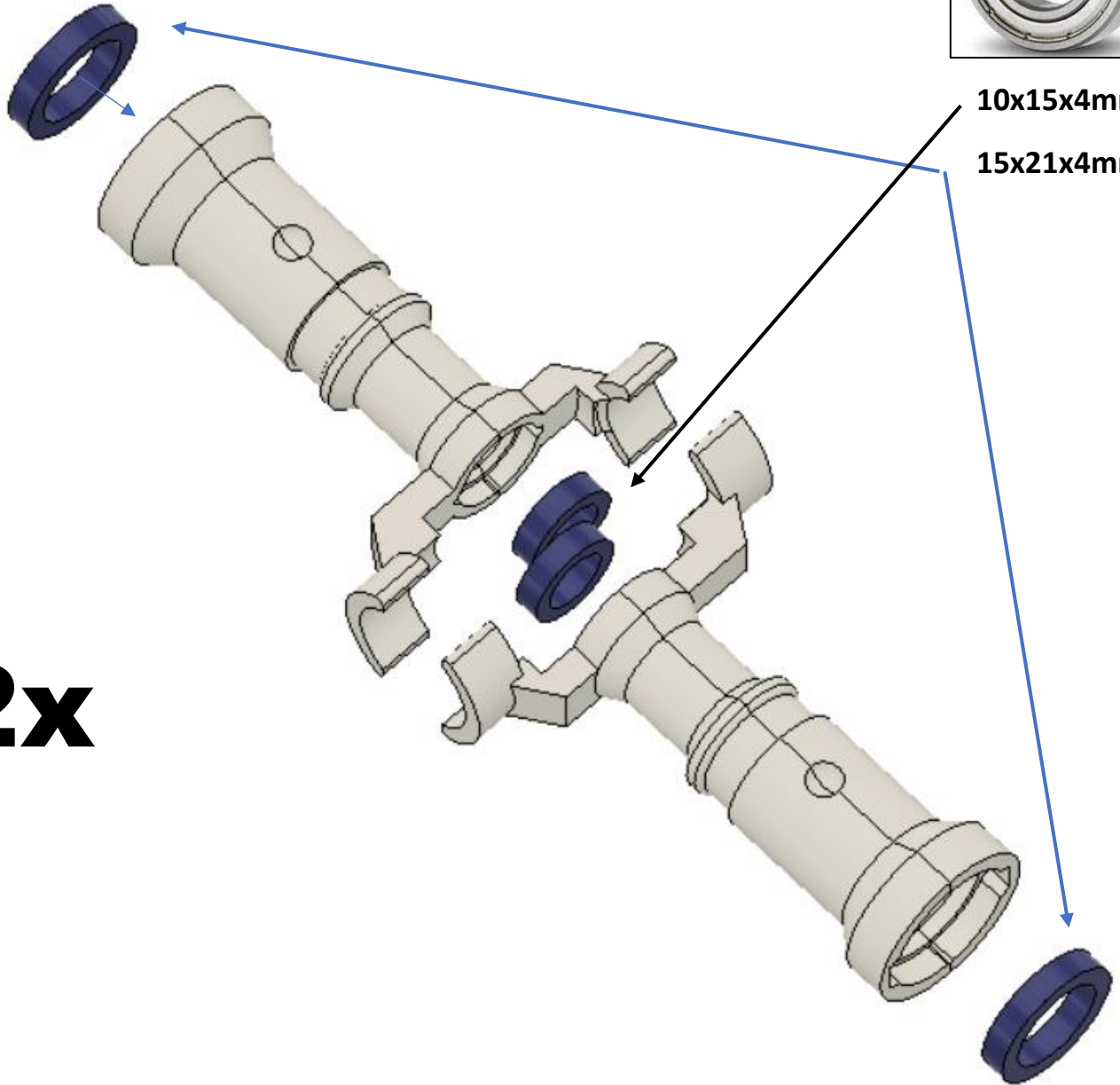
CentralPipe



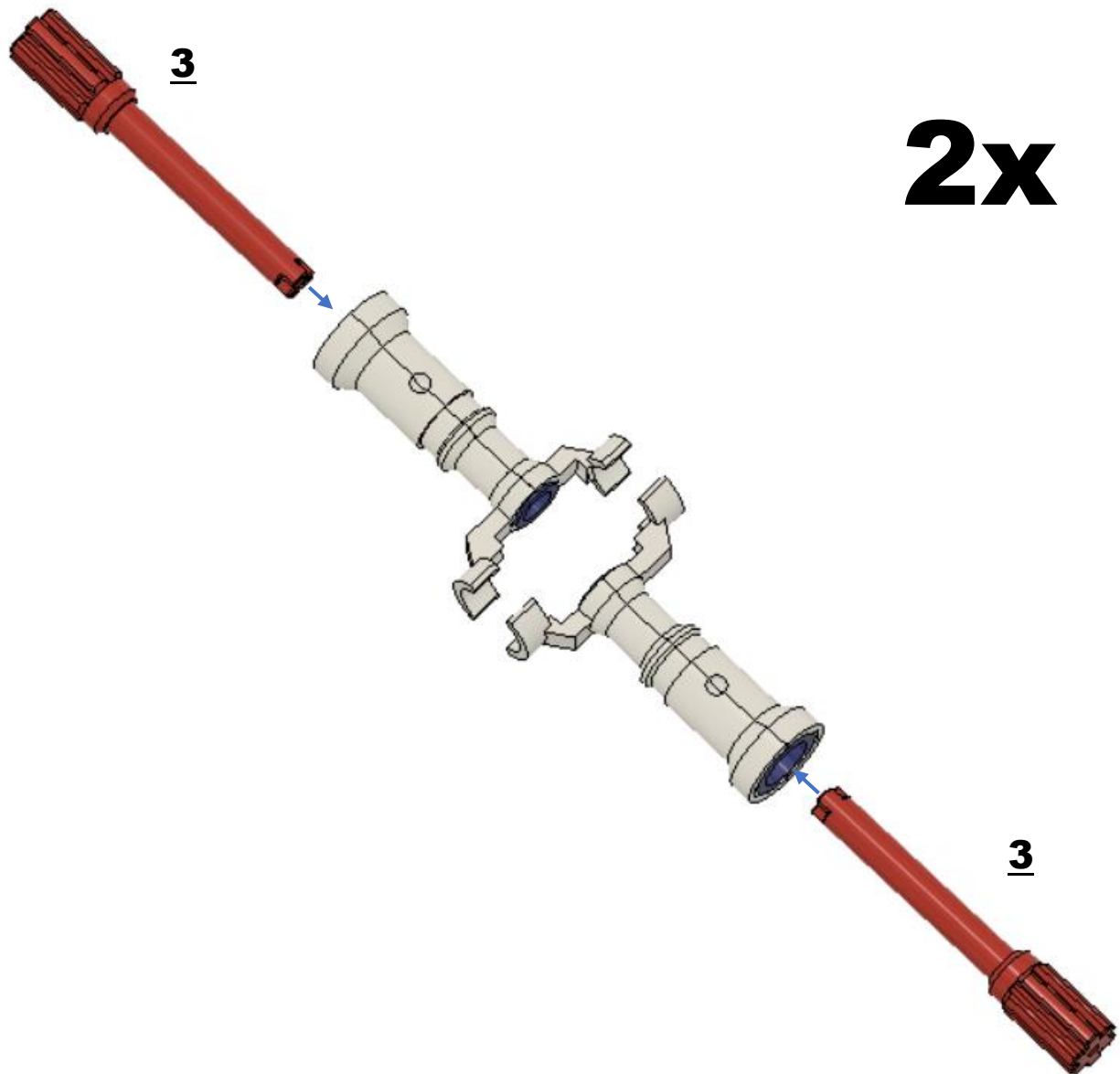
10x15x4mm

15x21x4mm

2x



CentralPipe

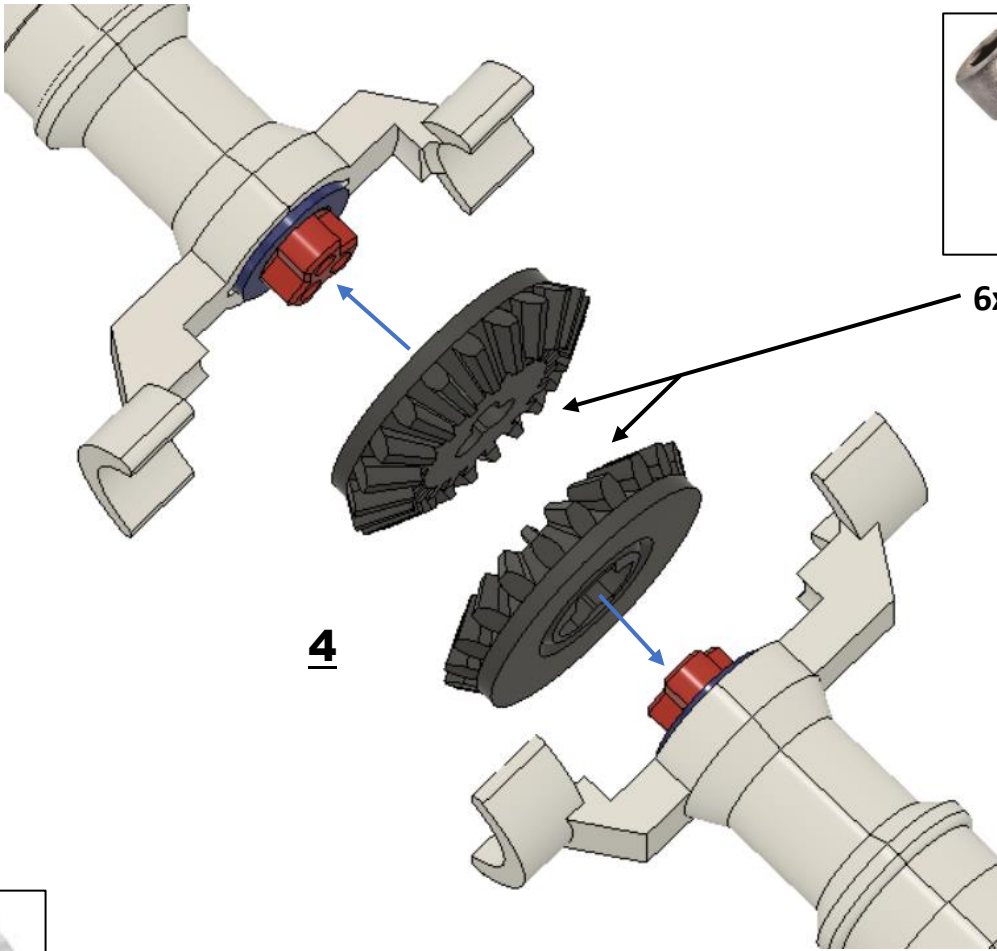


CentralPipe



6xM2x16mm

2x

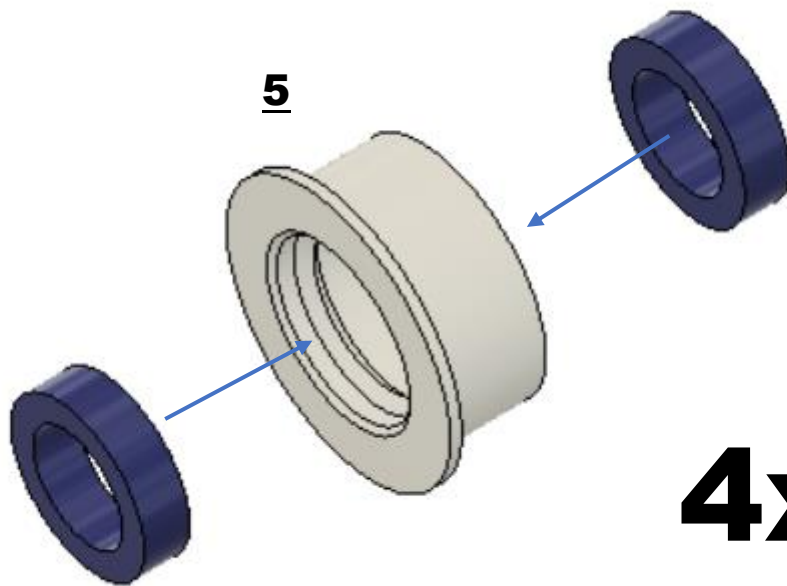


4



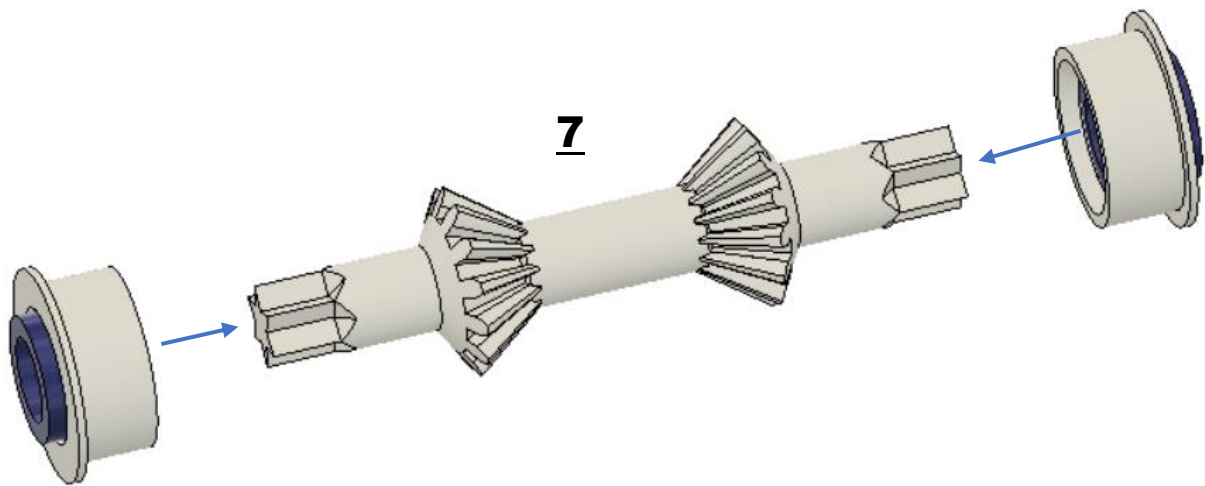
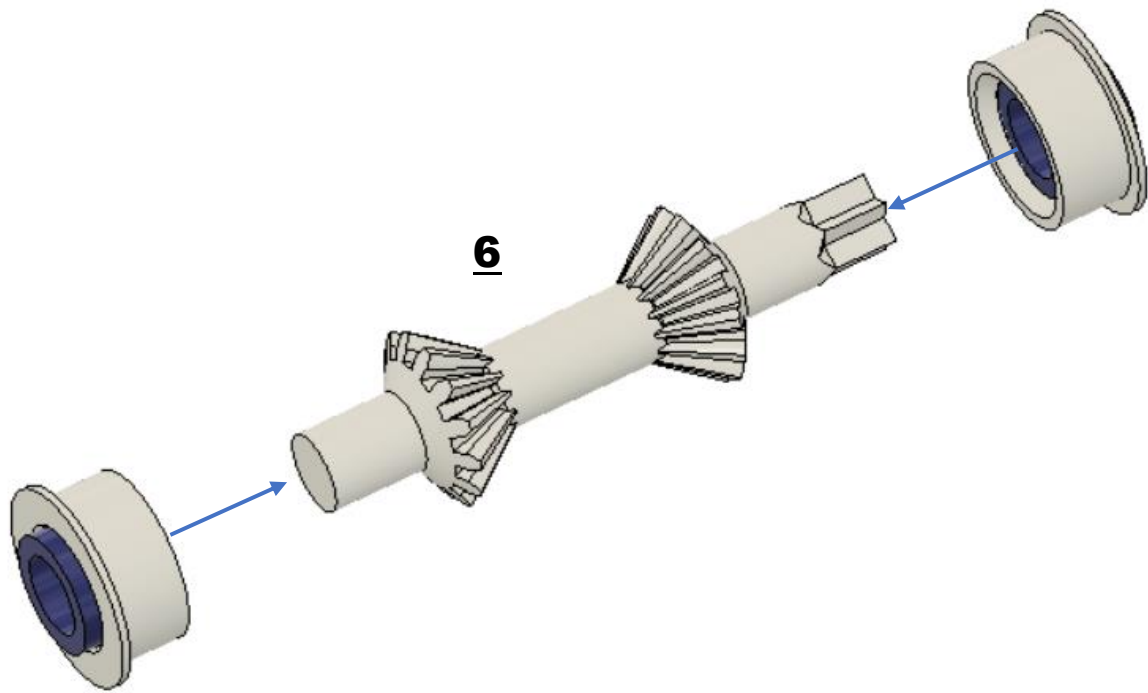
10x15x4mm

5

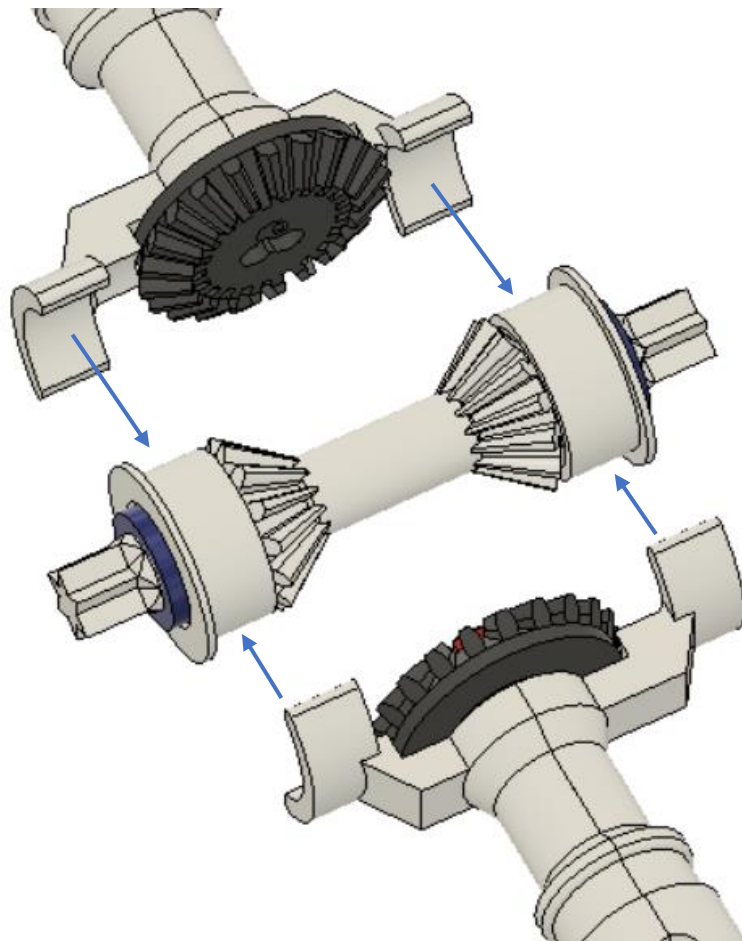
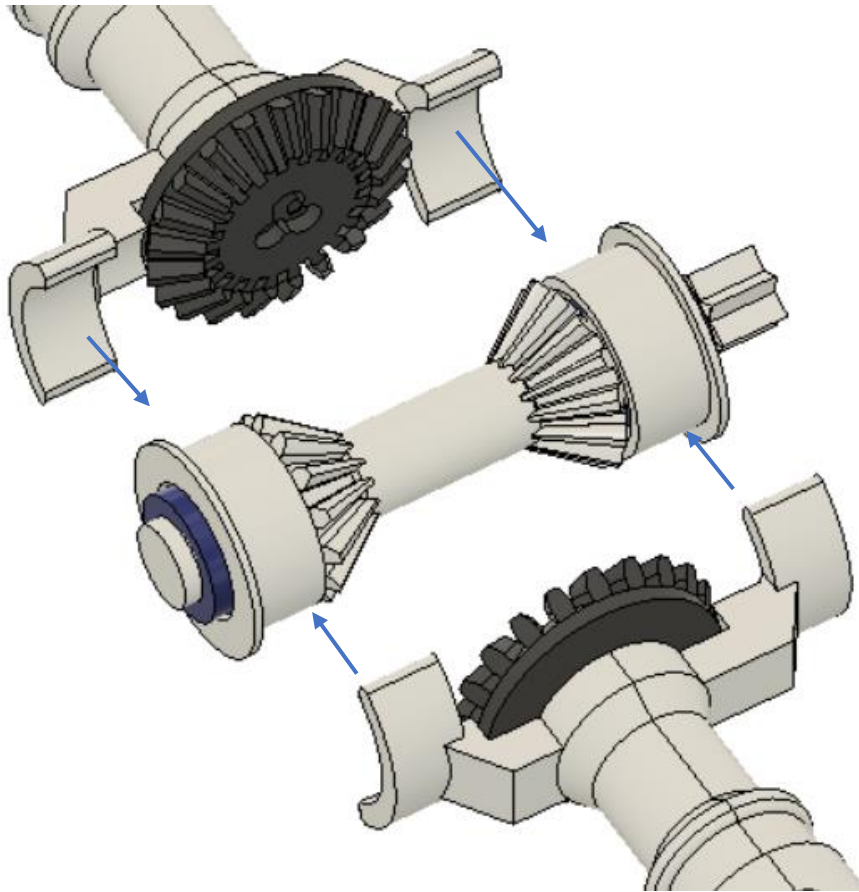


4x

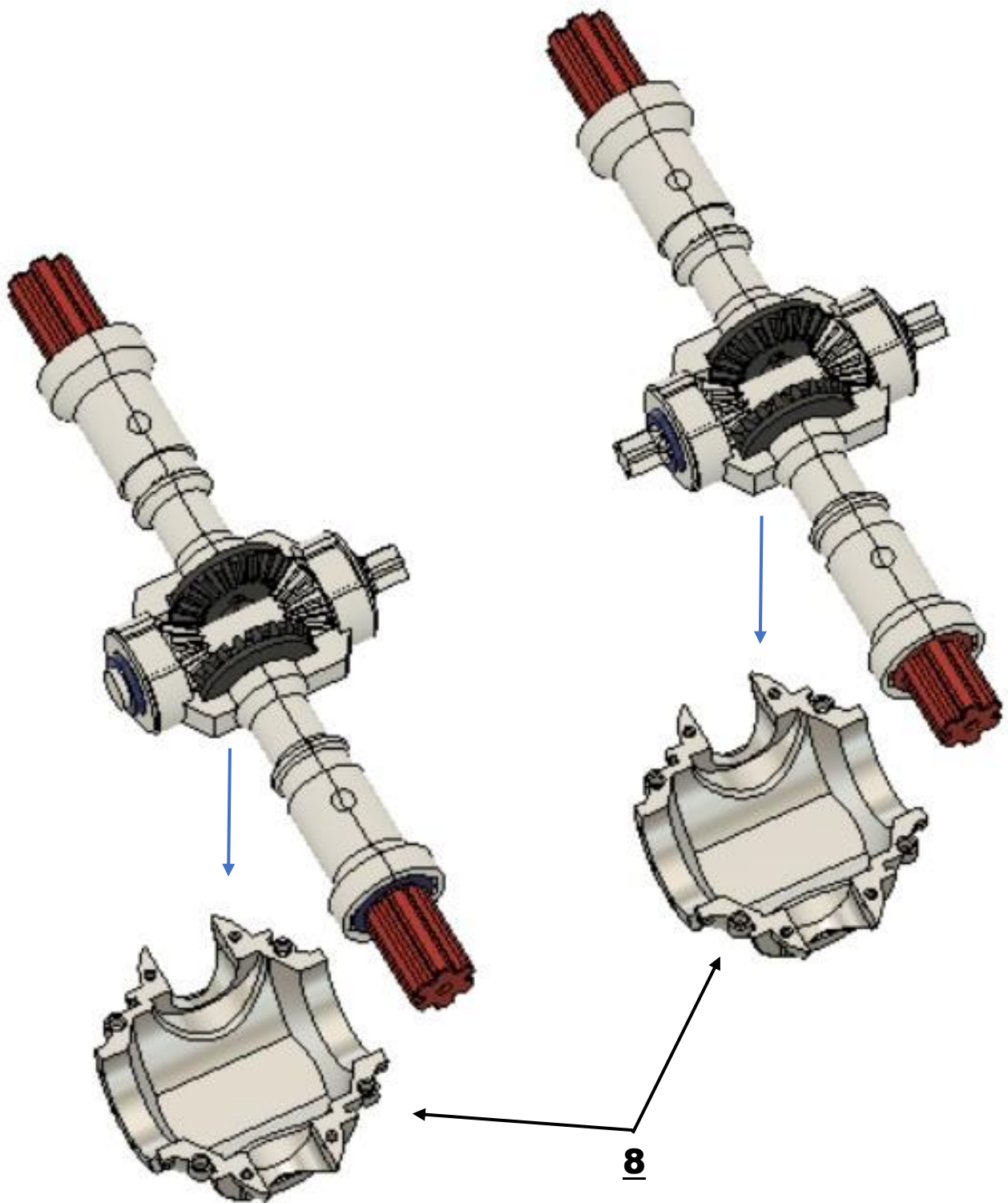
CentralPipe



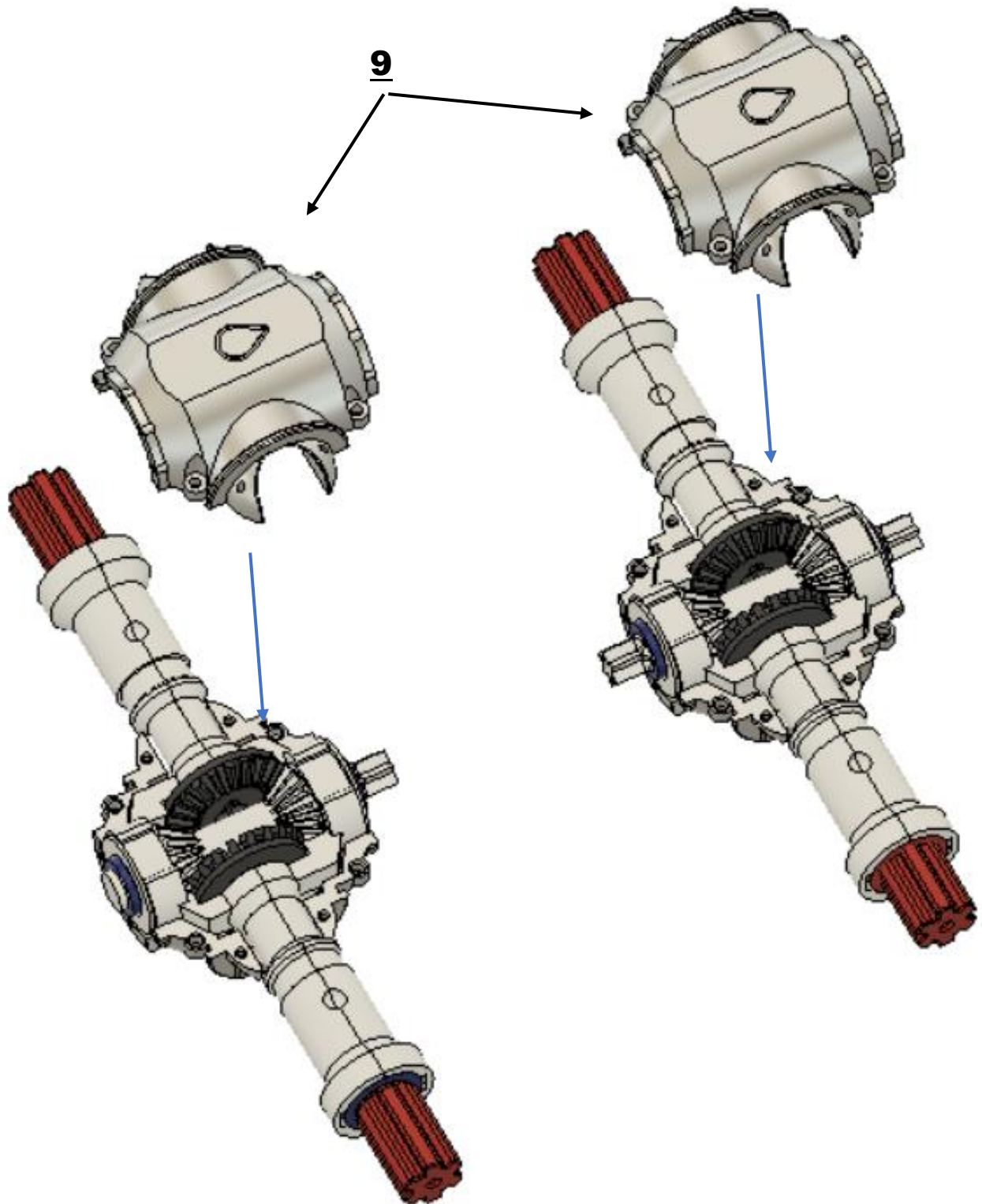
CentralPipe



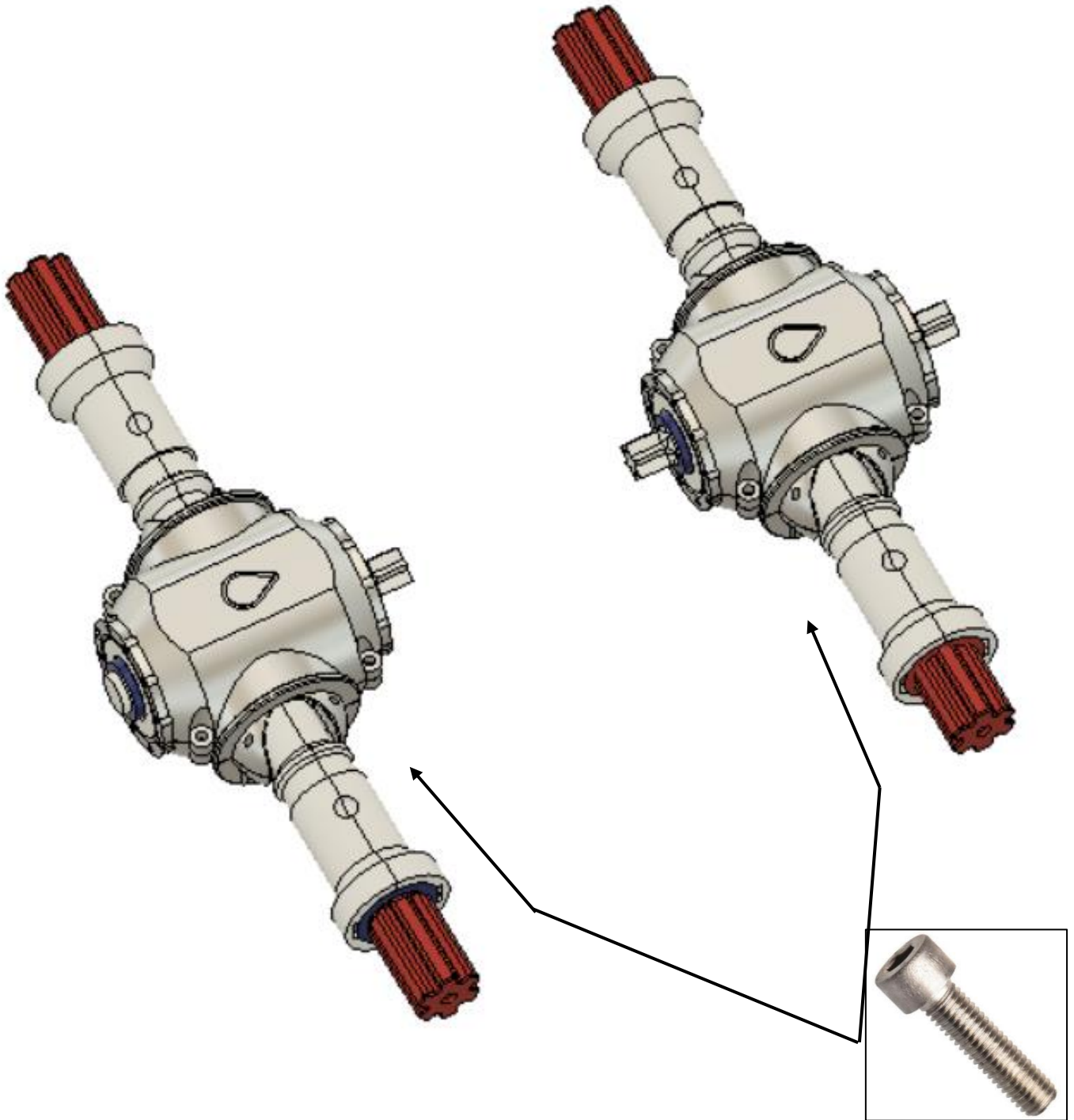
CentralPipe



CentralPipe



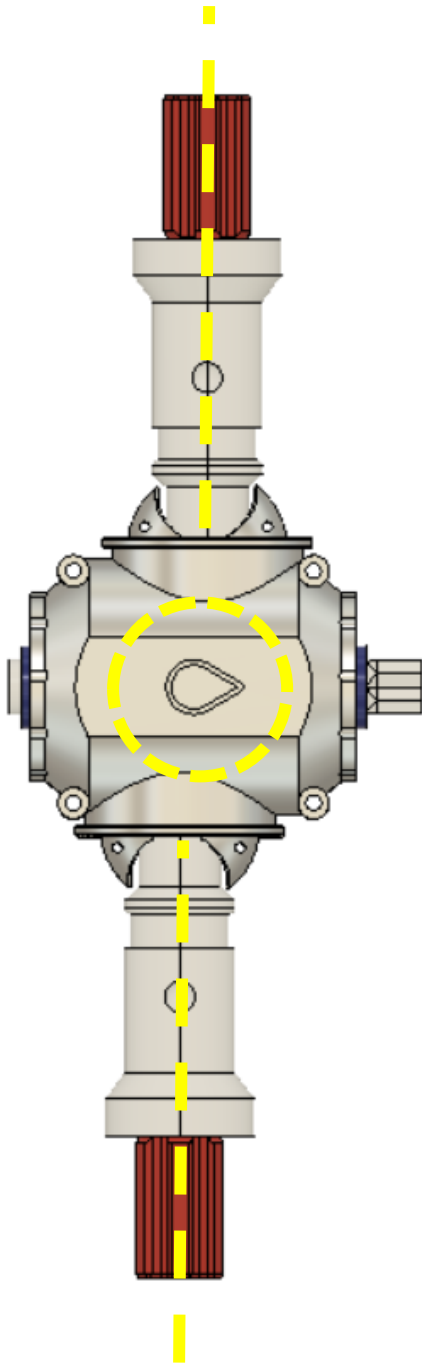
CentralPipe



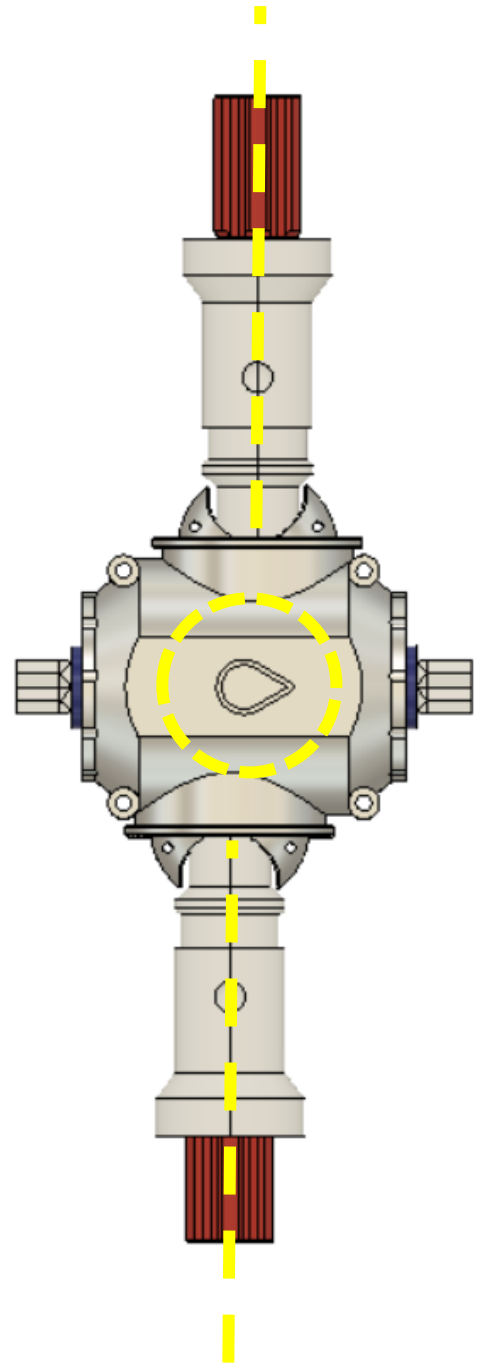
Screw the screws from below

8xM3x10mm
8xM2x10mm

CentralPipe



1

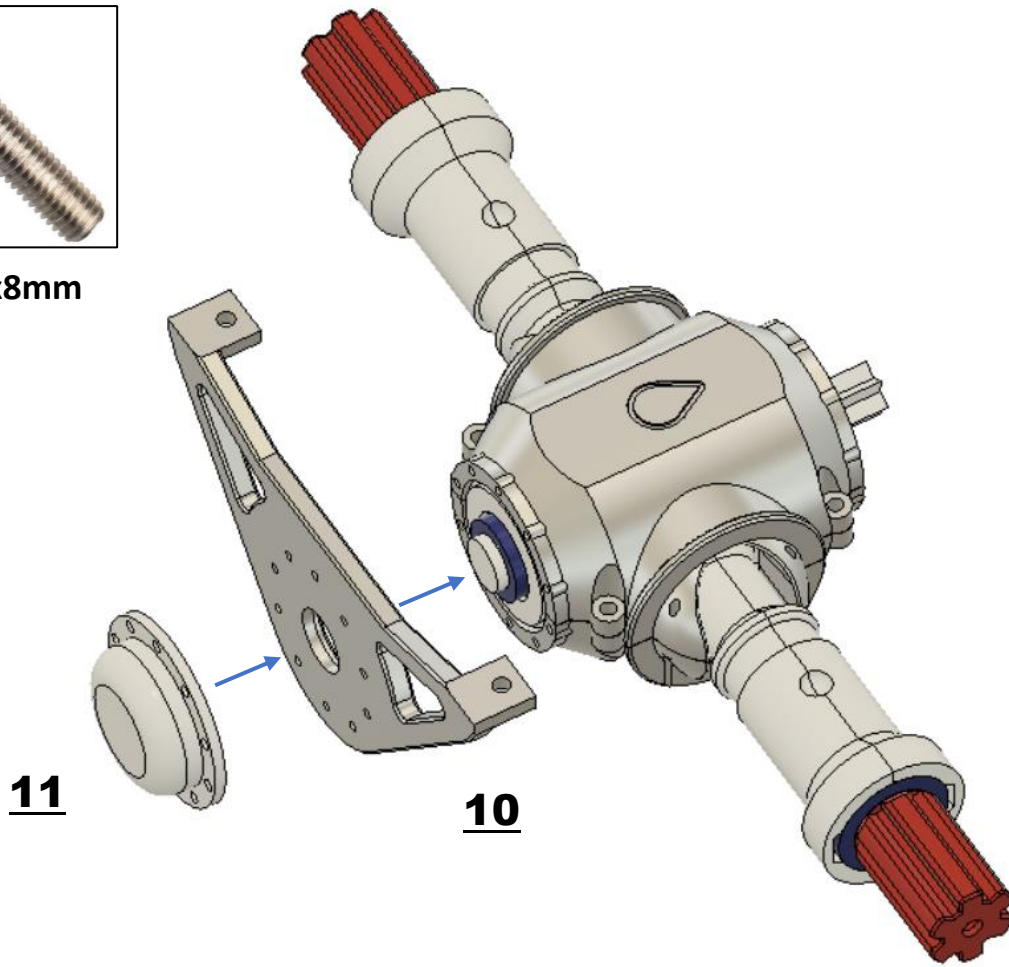


2

CentralPipe

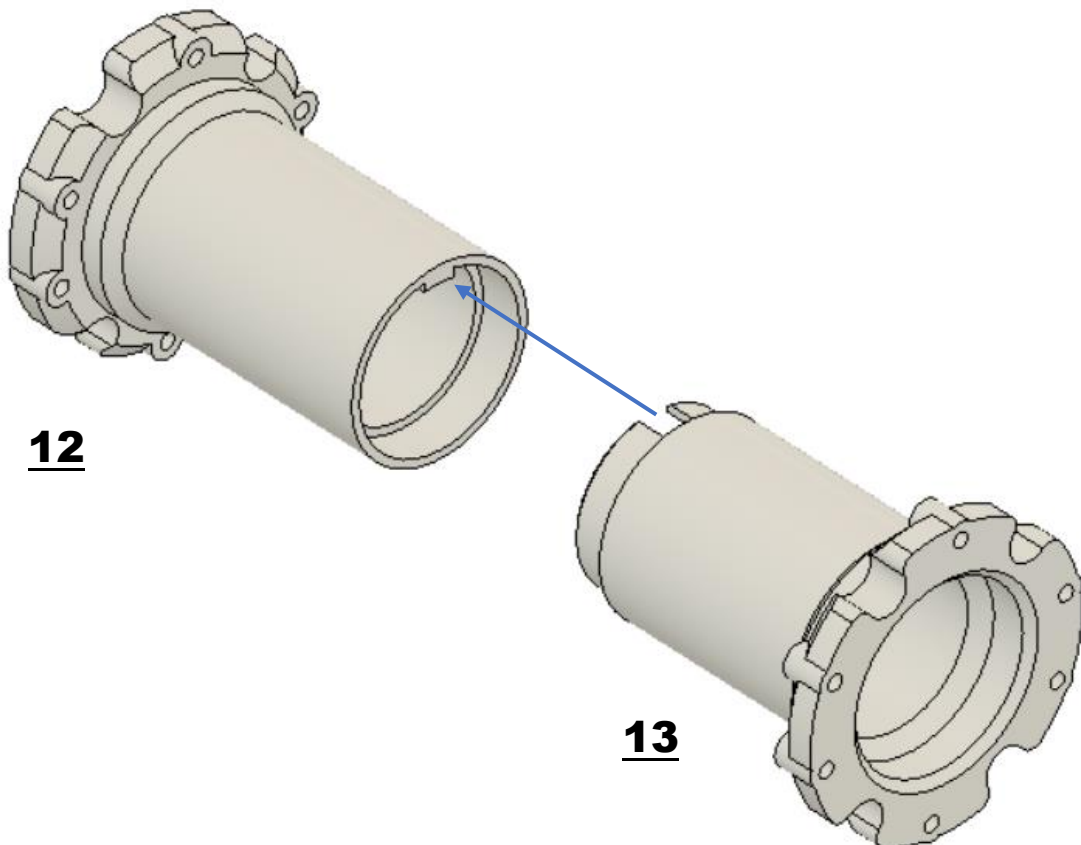


10xM2x8mm



11

10

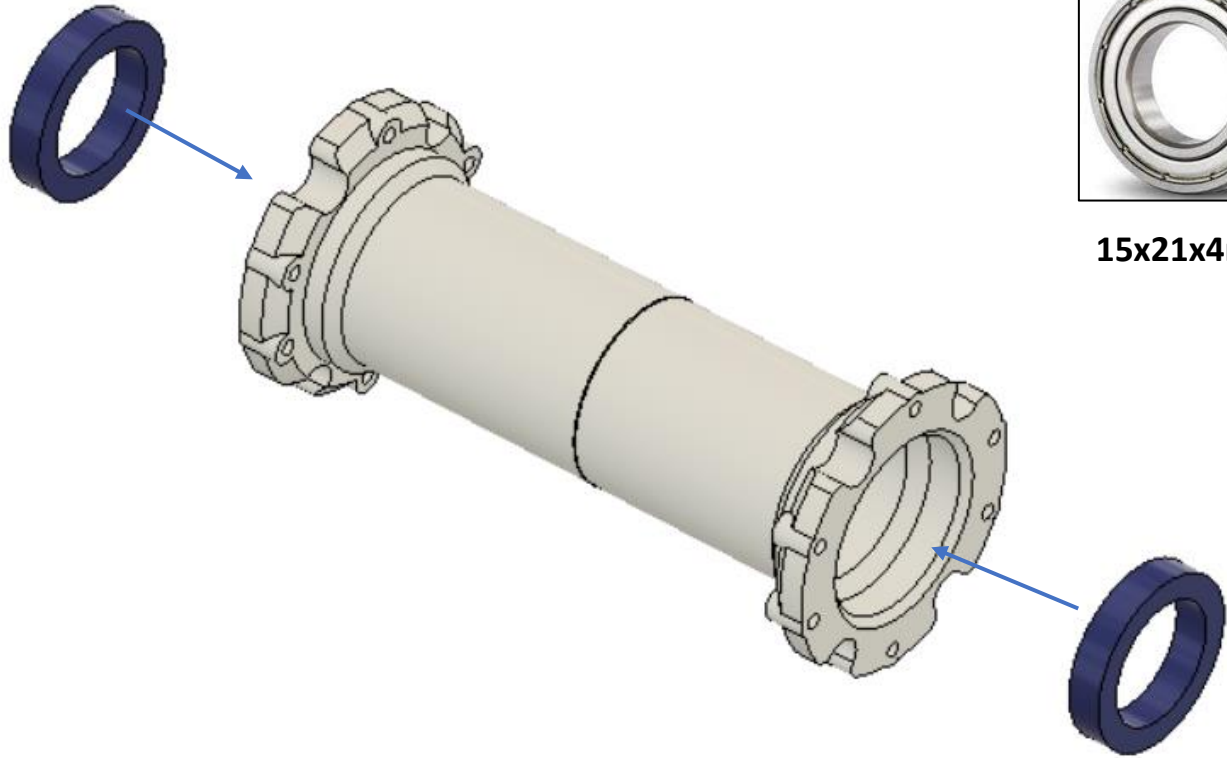


12

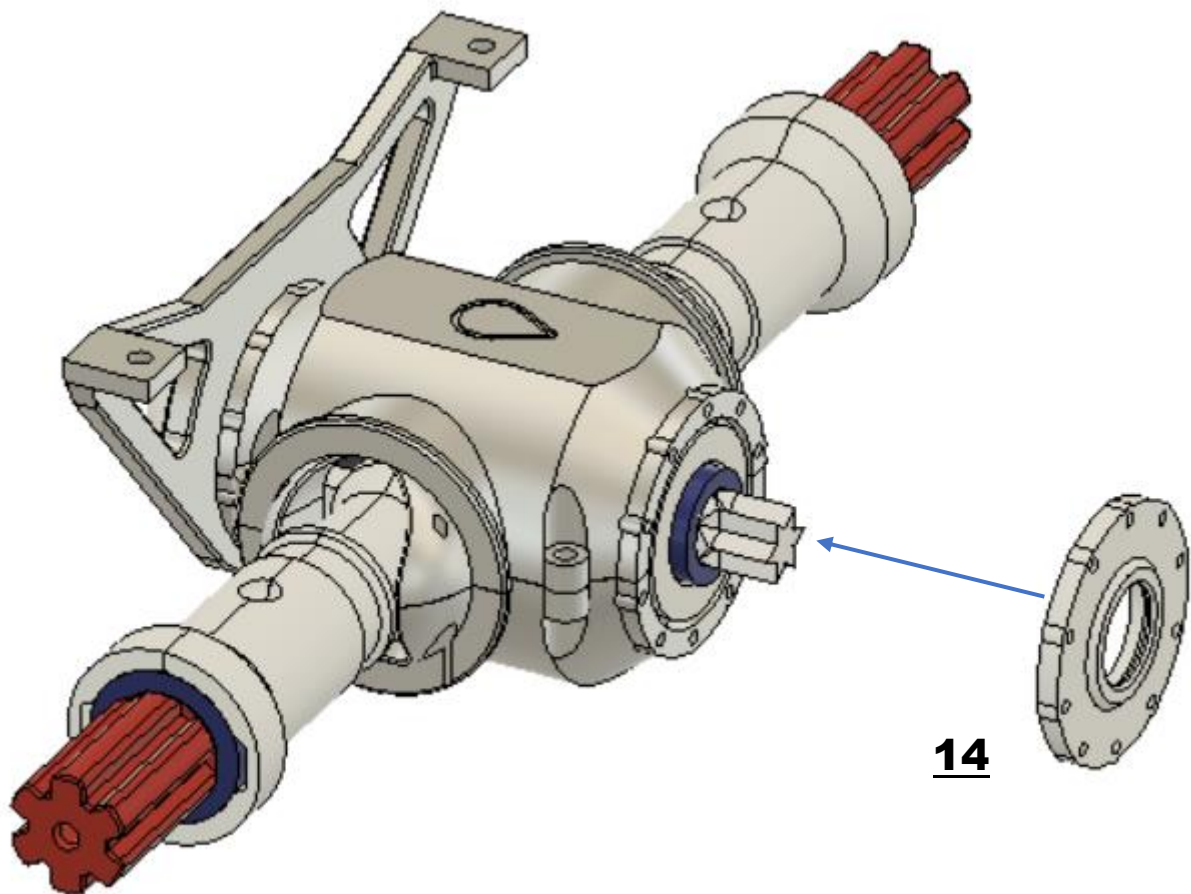
13



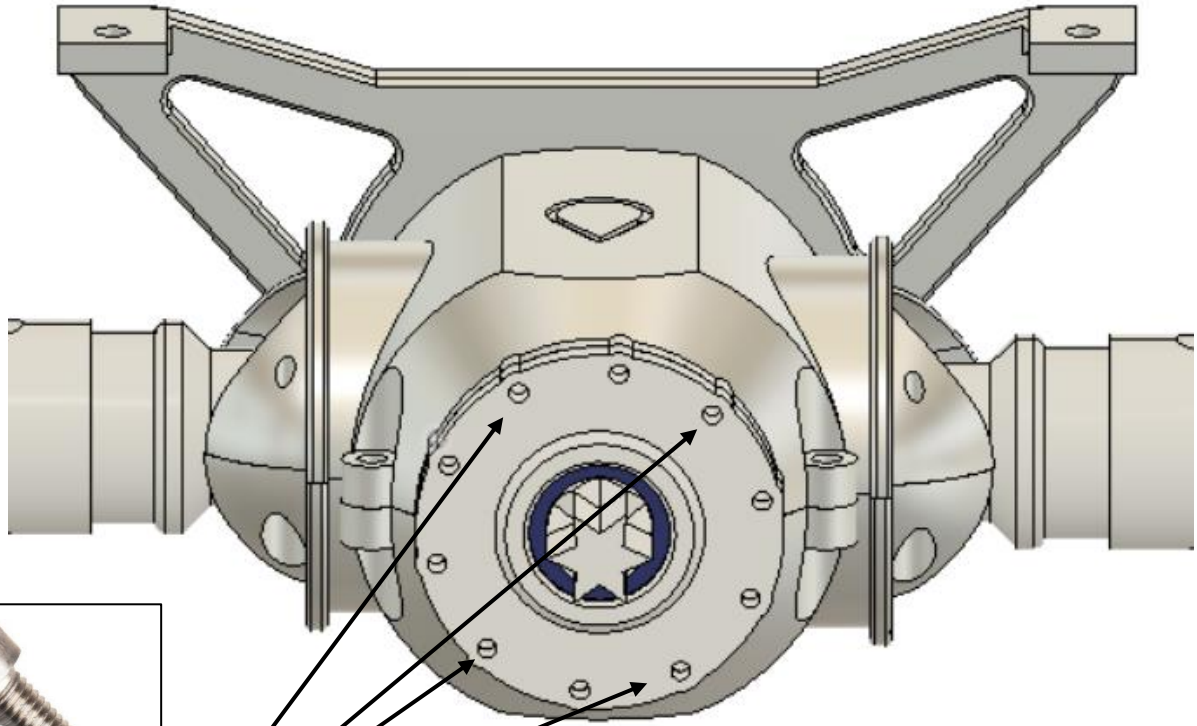
CentralPipe



15x21x4mm



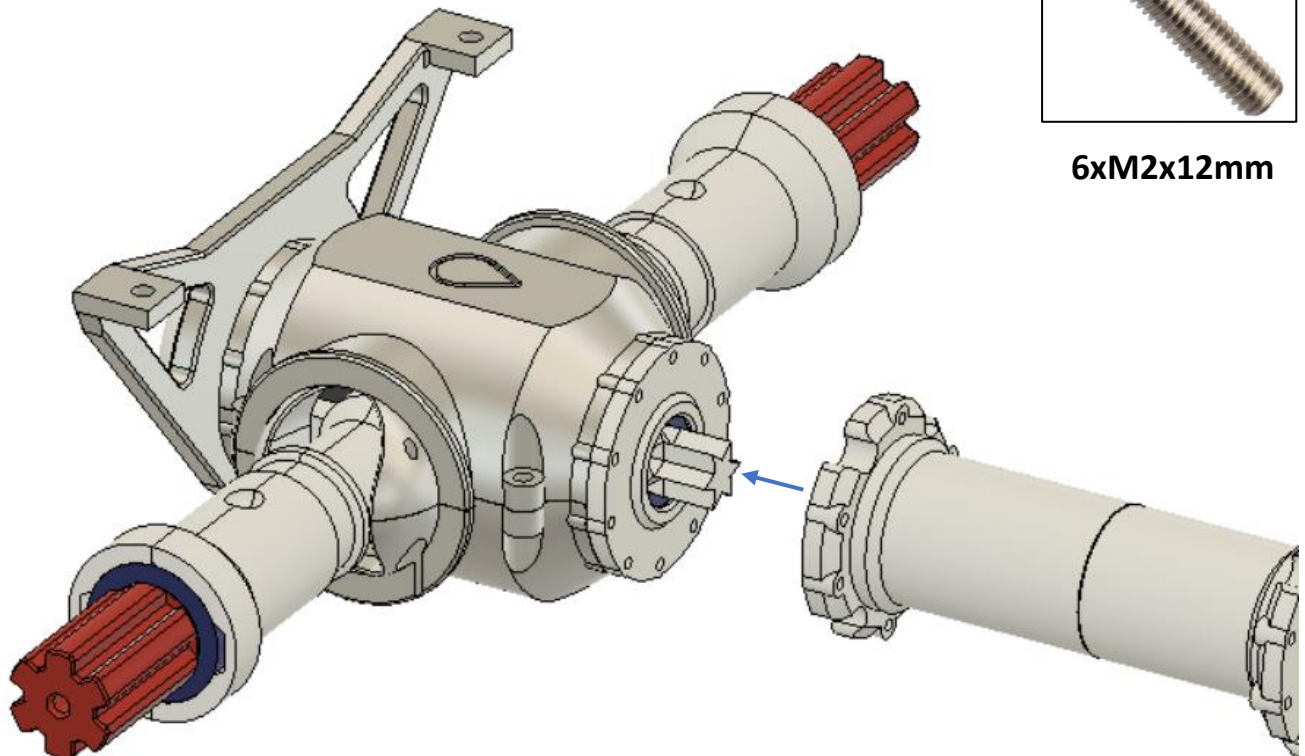
CentralPipe



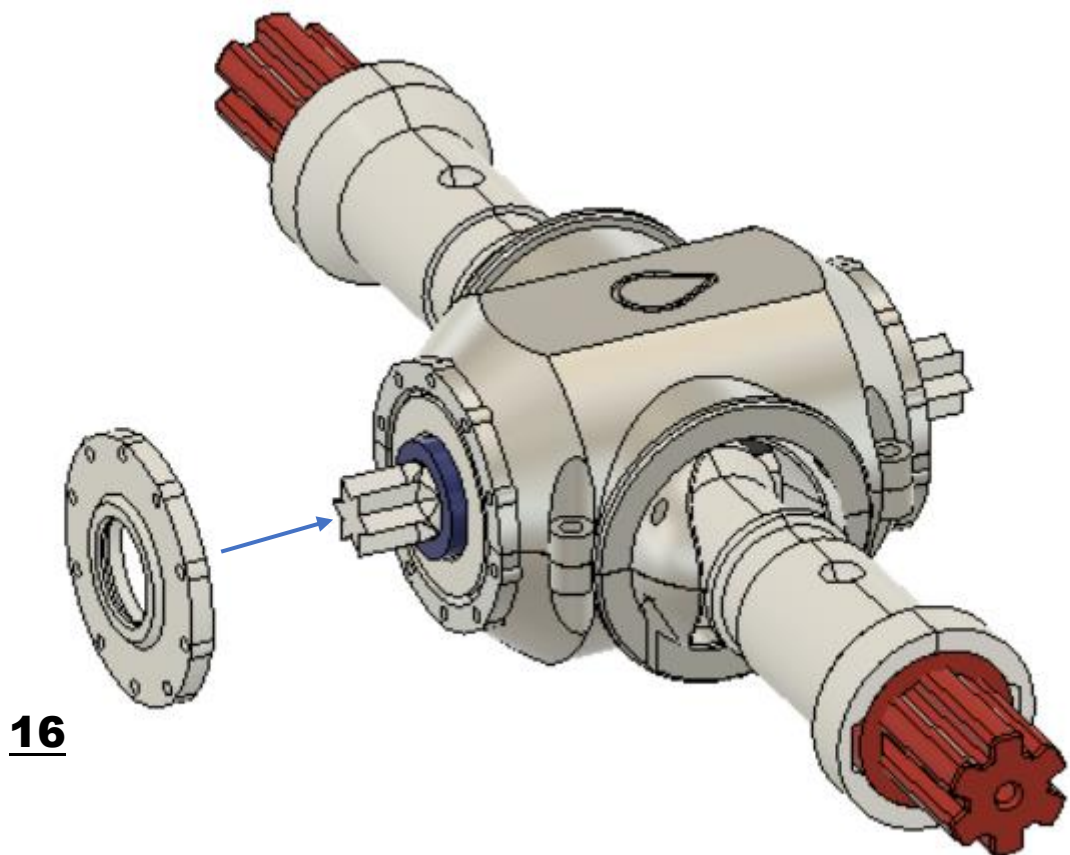
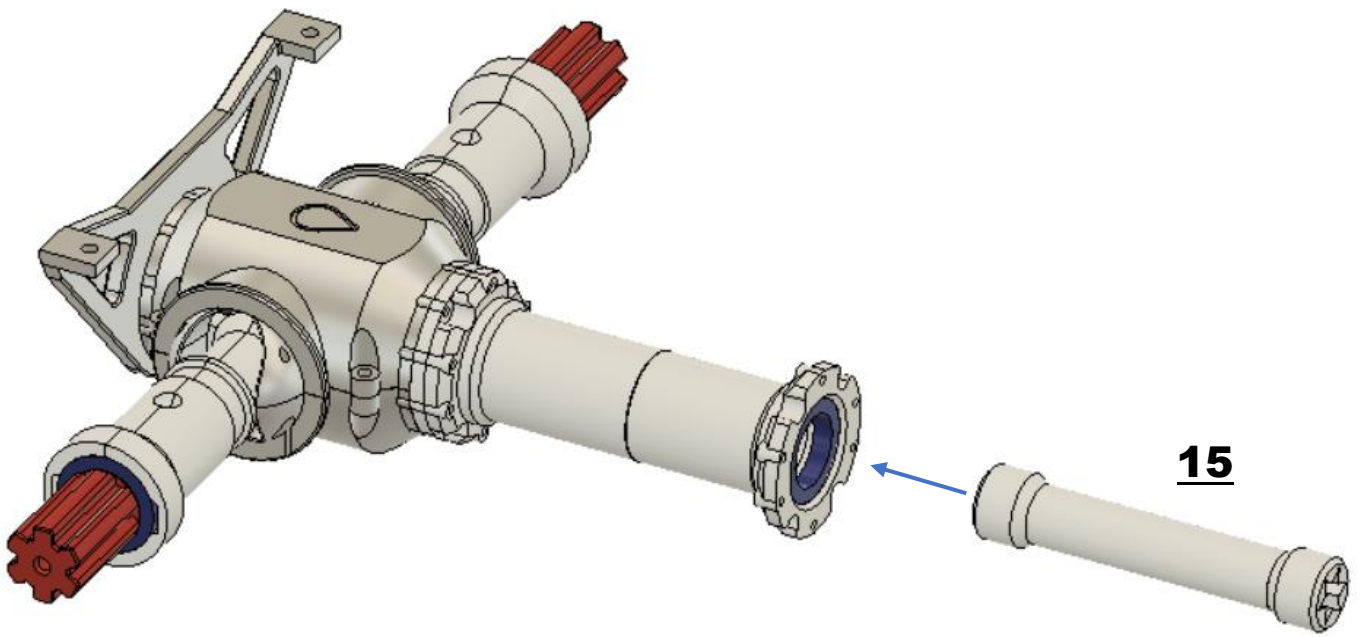
4xM2x6mm



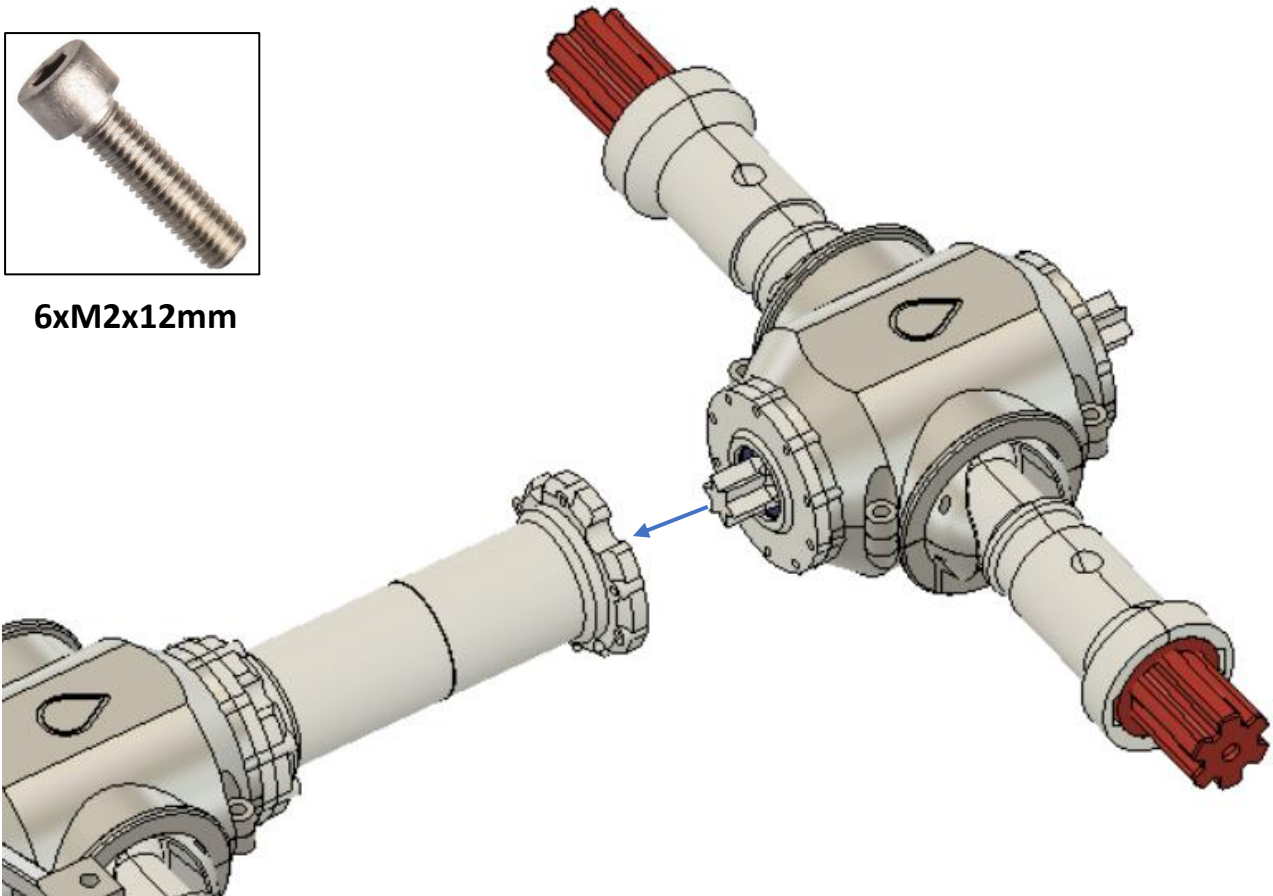
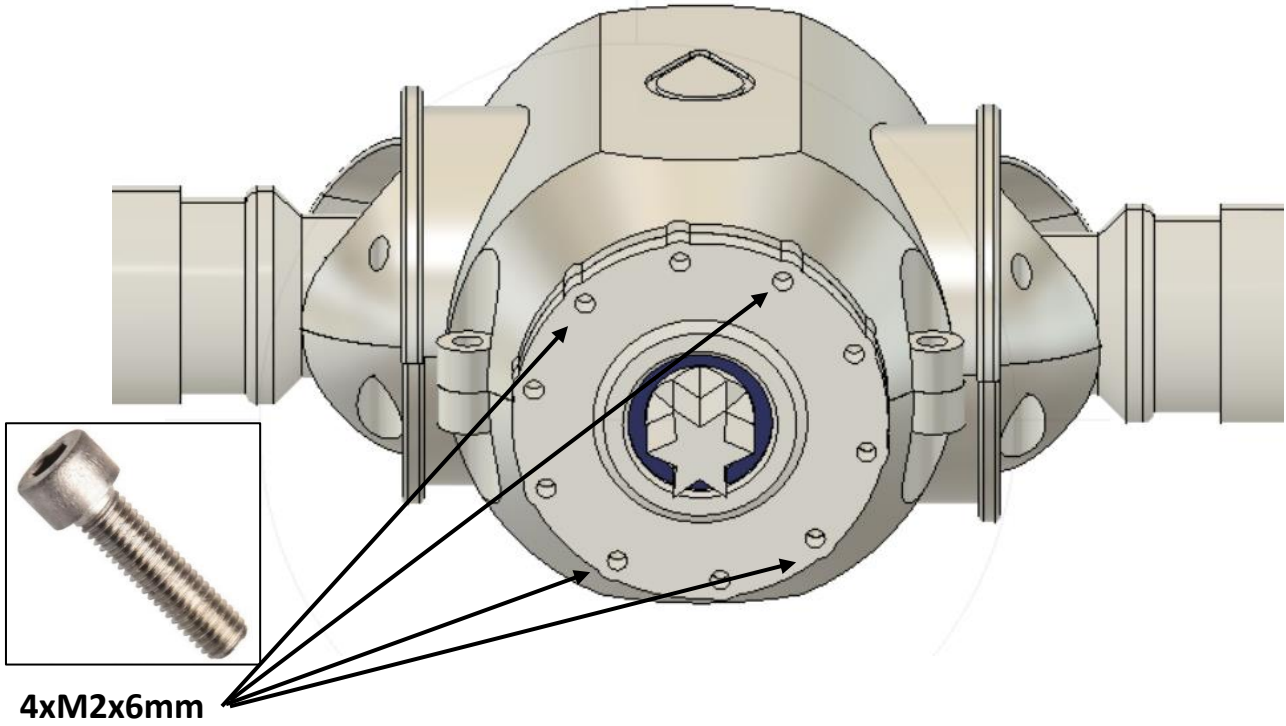
6xM2x12mm



CentralPipe

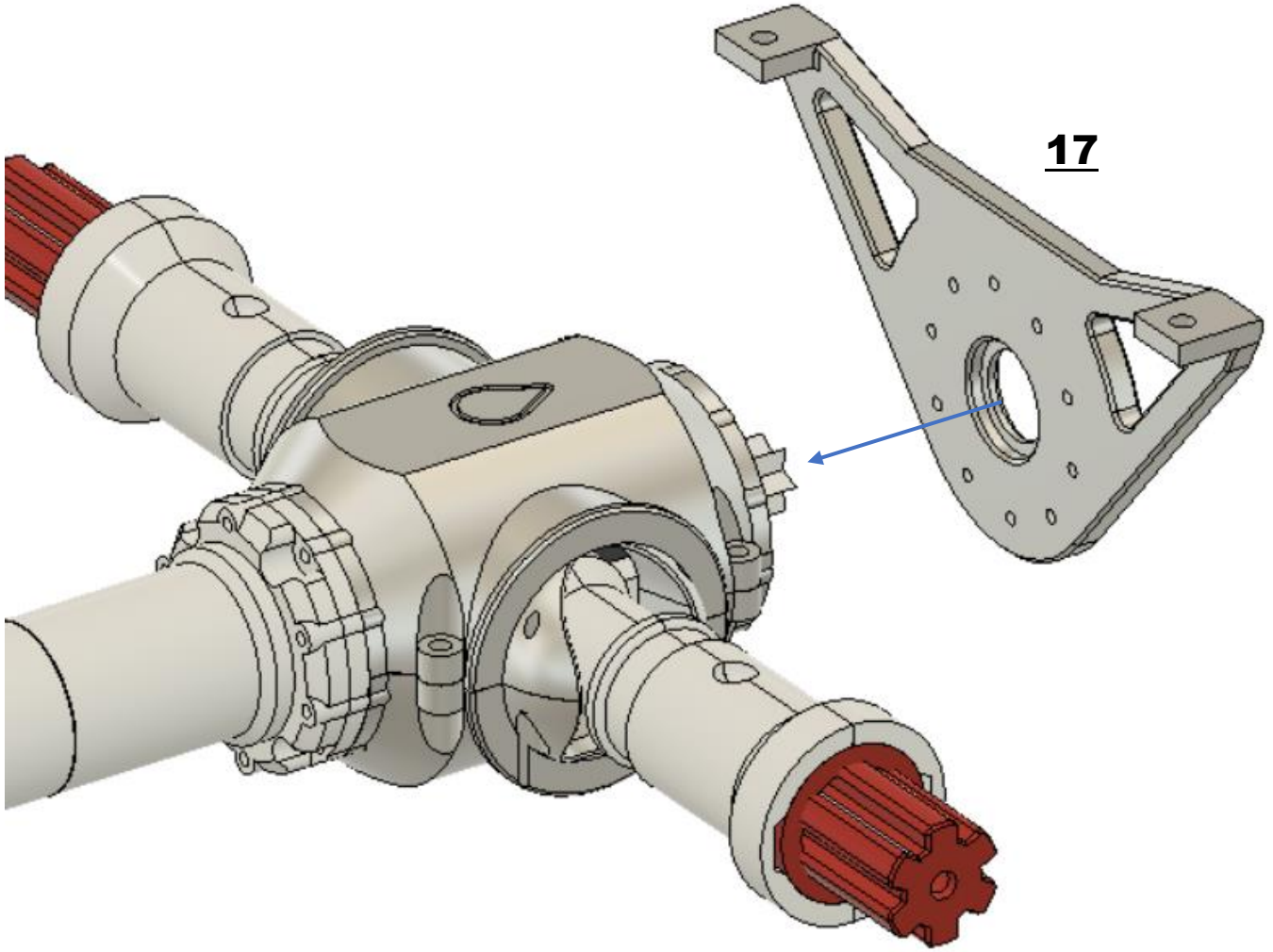


CentralPipe

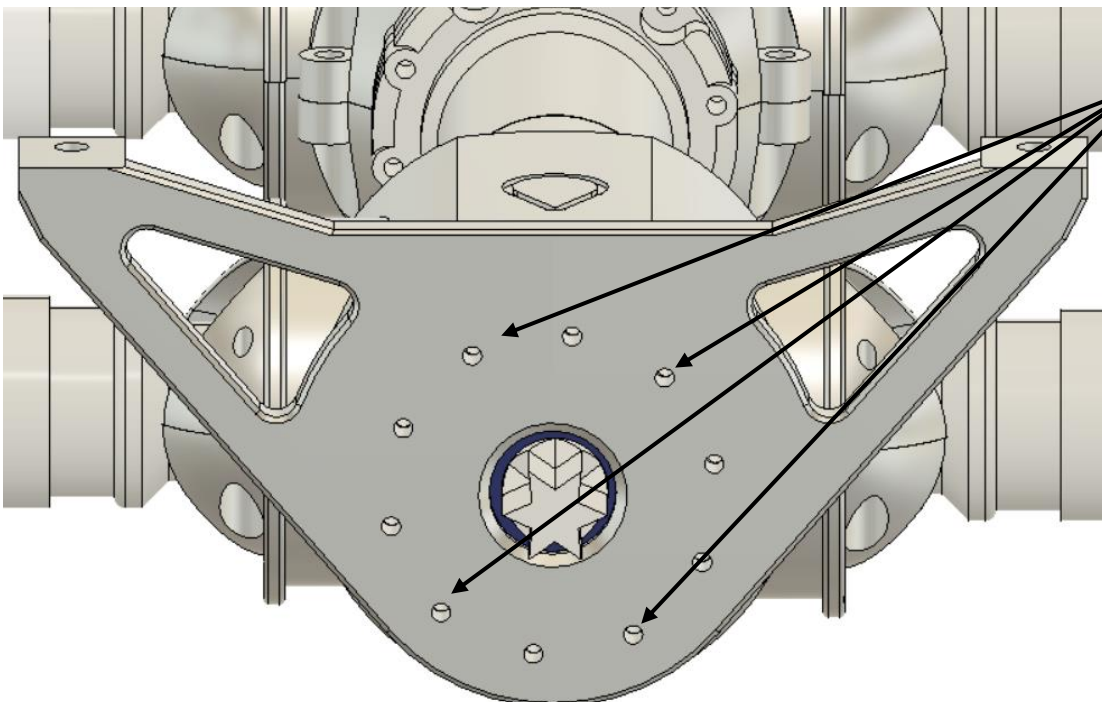


CentralPipe

17



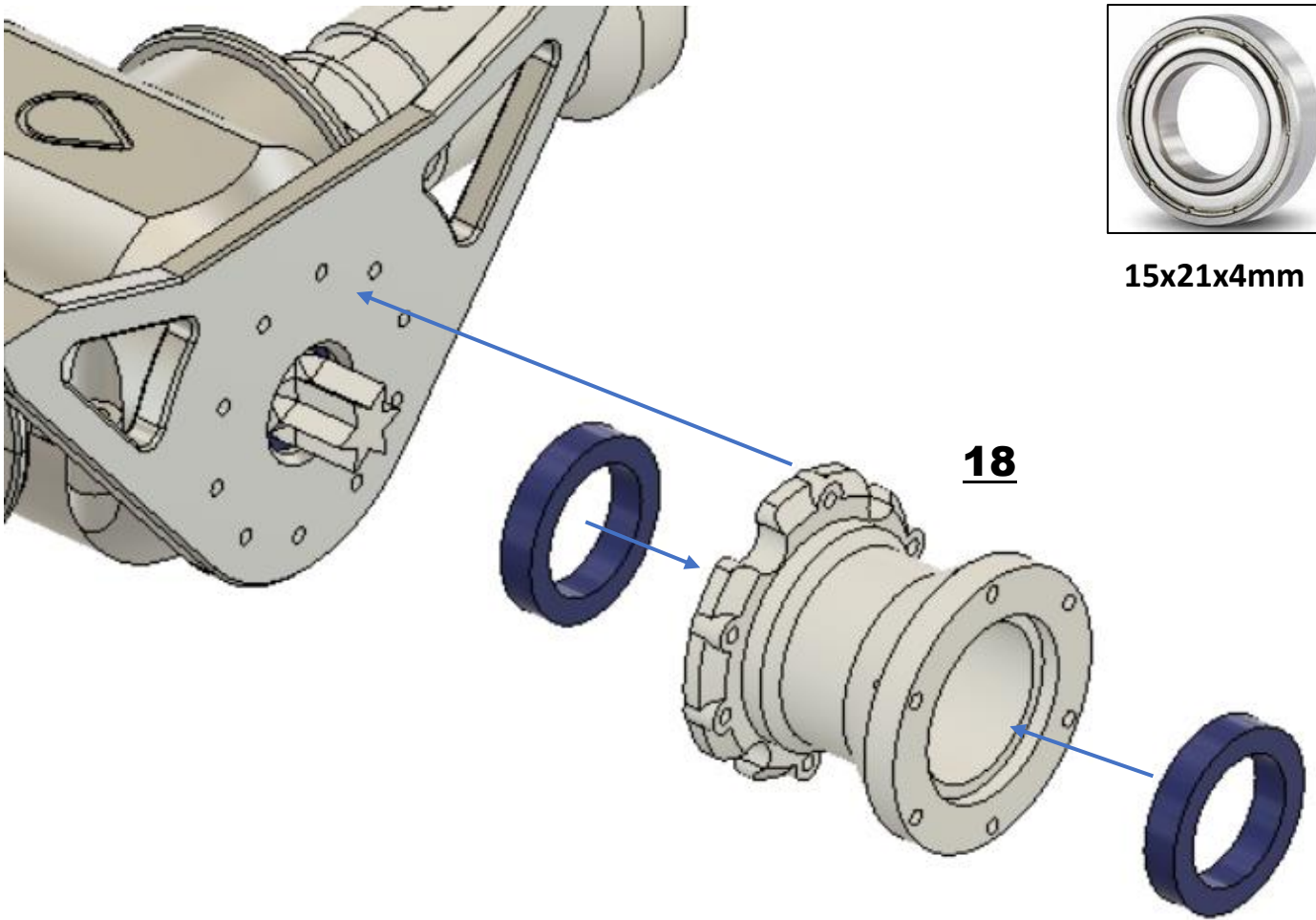
4xM2x6mm



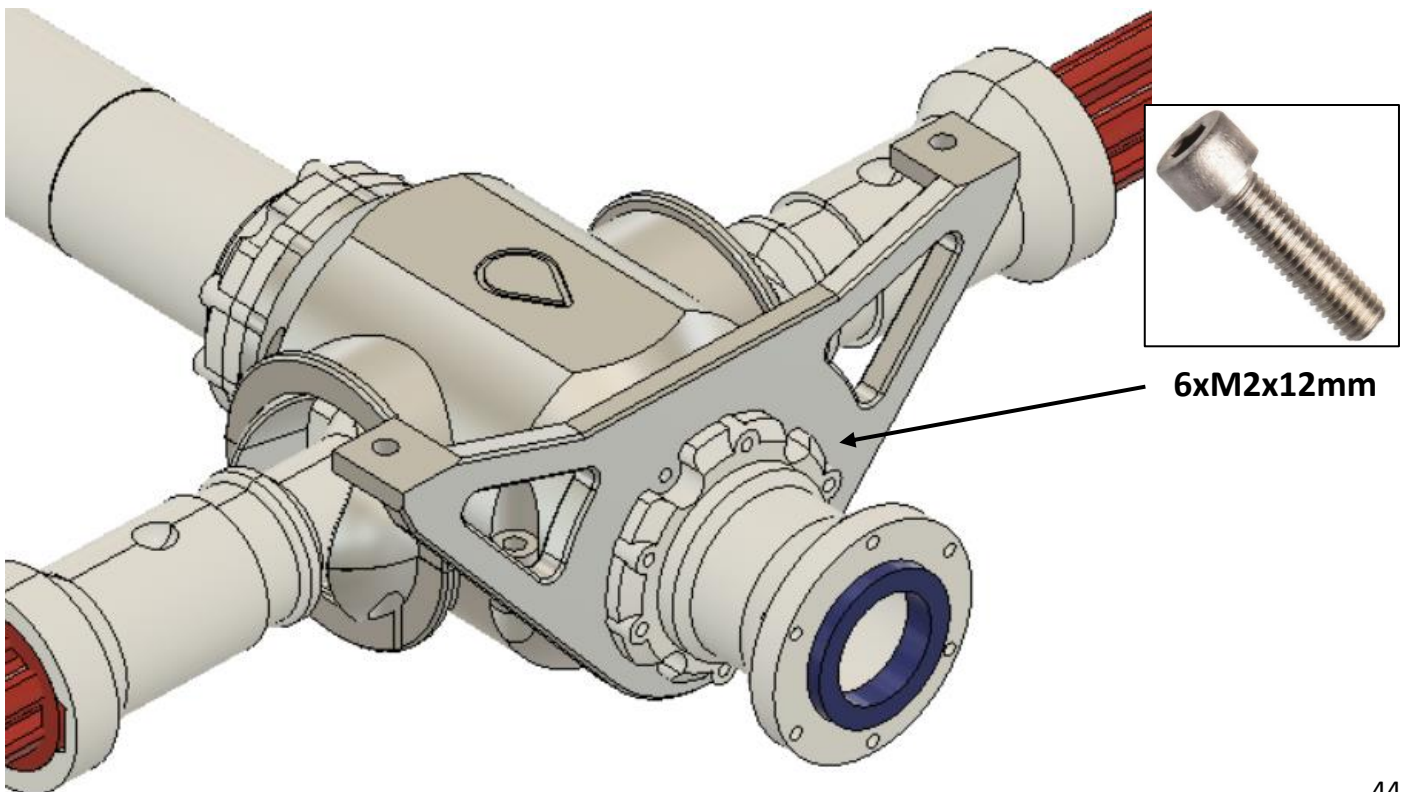
CentralPipe



15x21x4mm



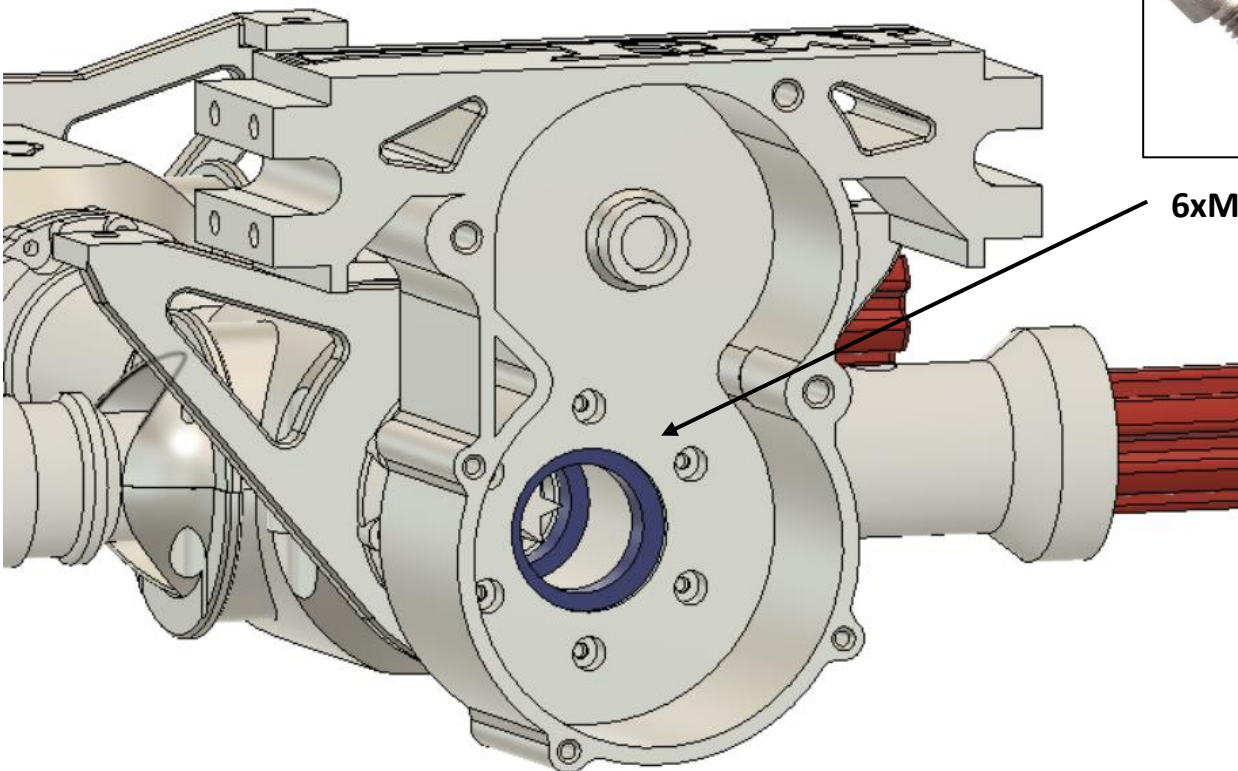
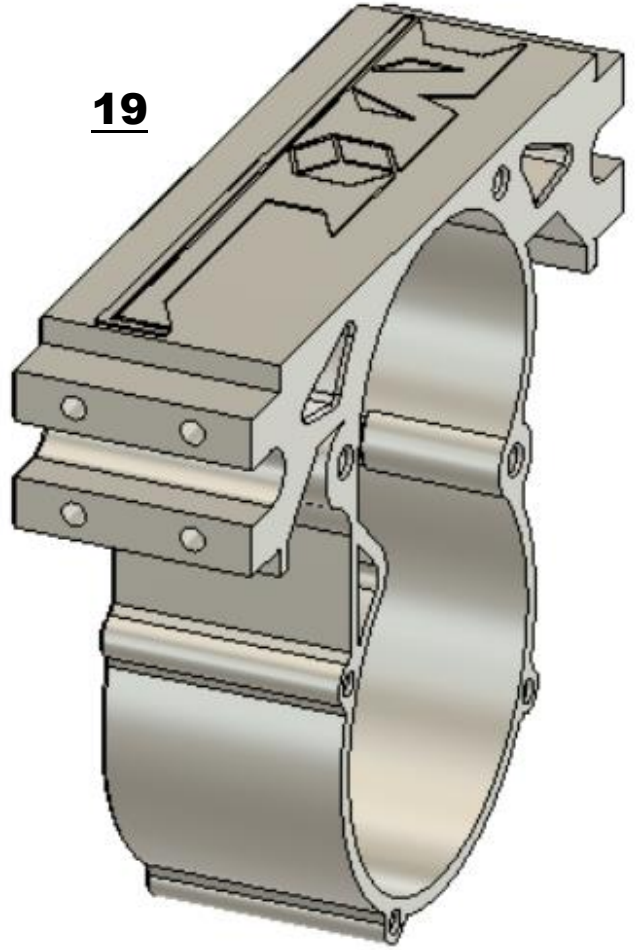
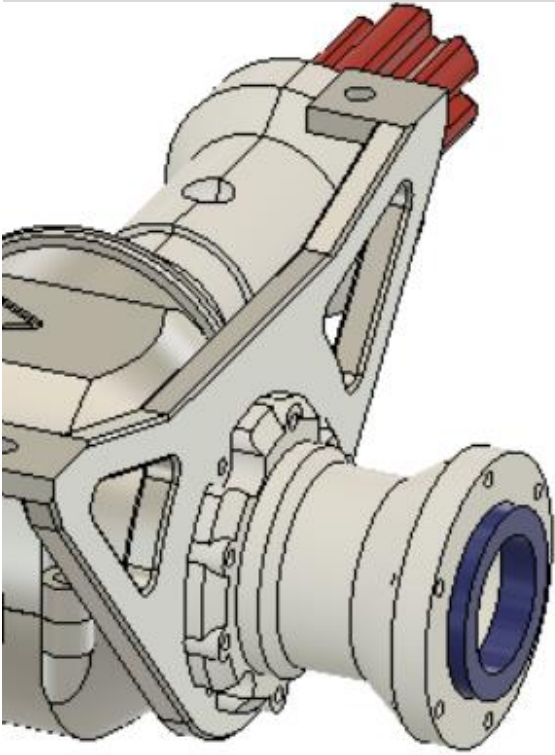
18



6xM2x12mm

CentralPipe

19



6xM2x6mm

CentralPipe

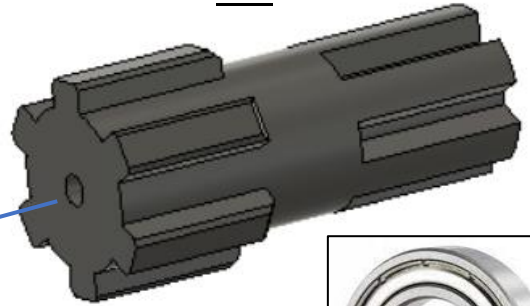


M3x10mm

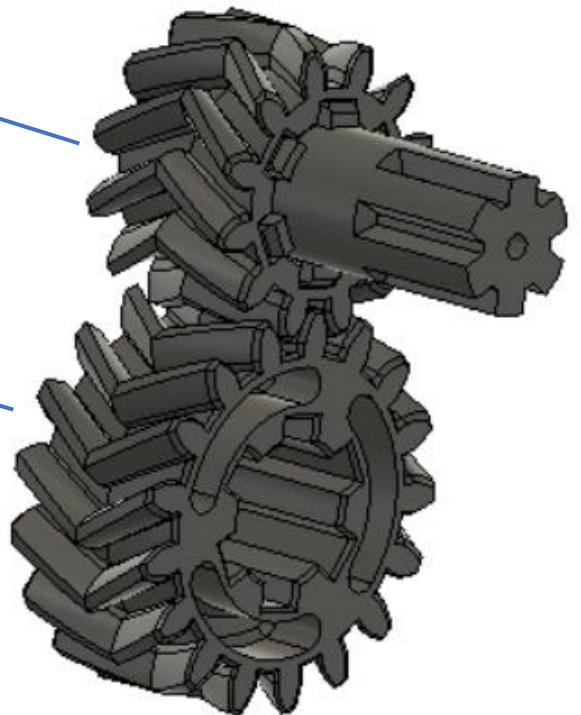
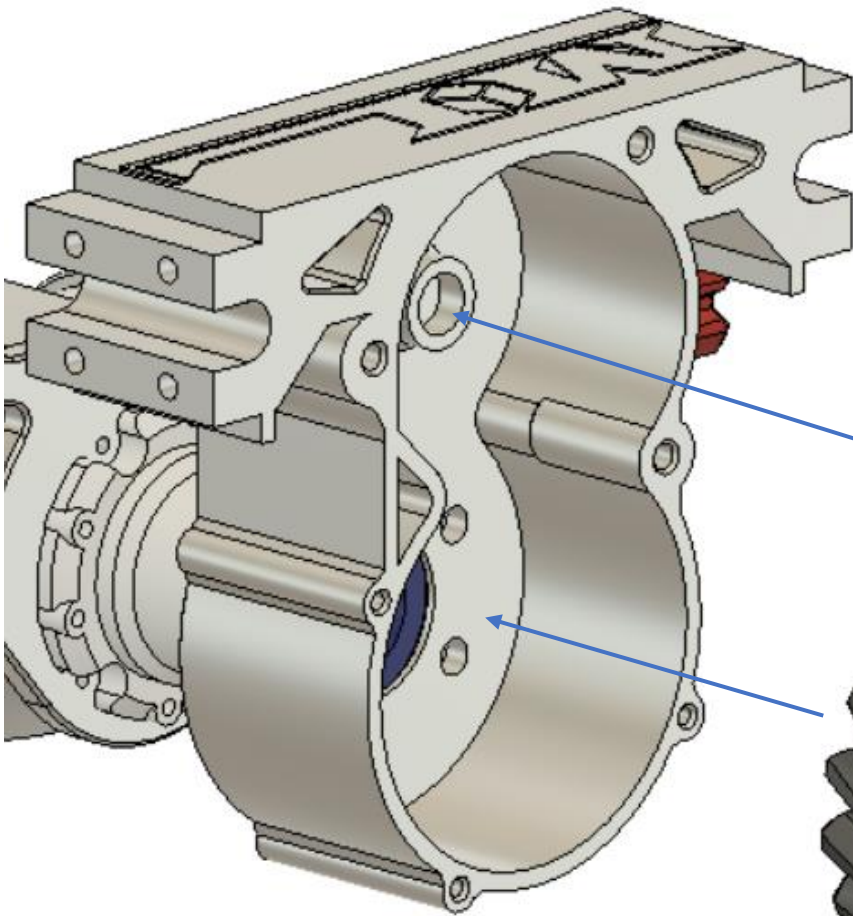
20



21

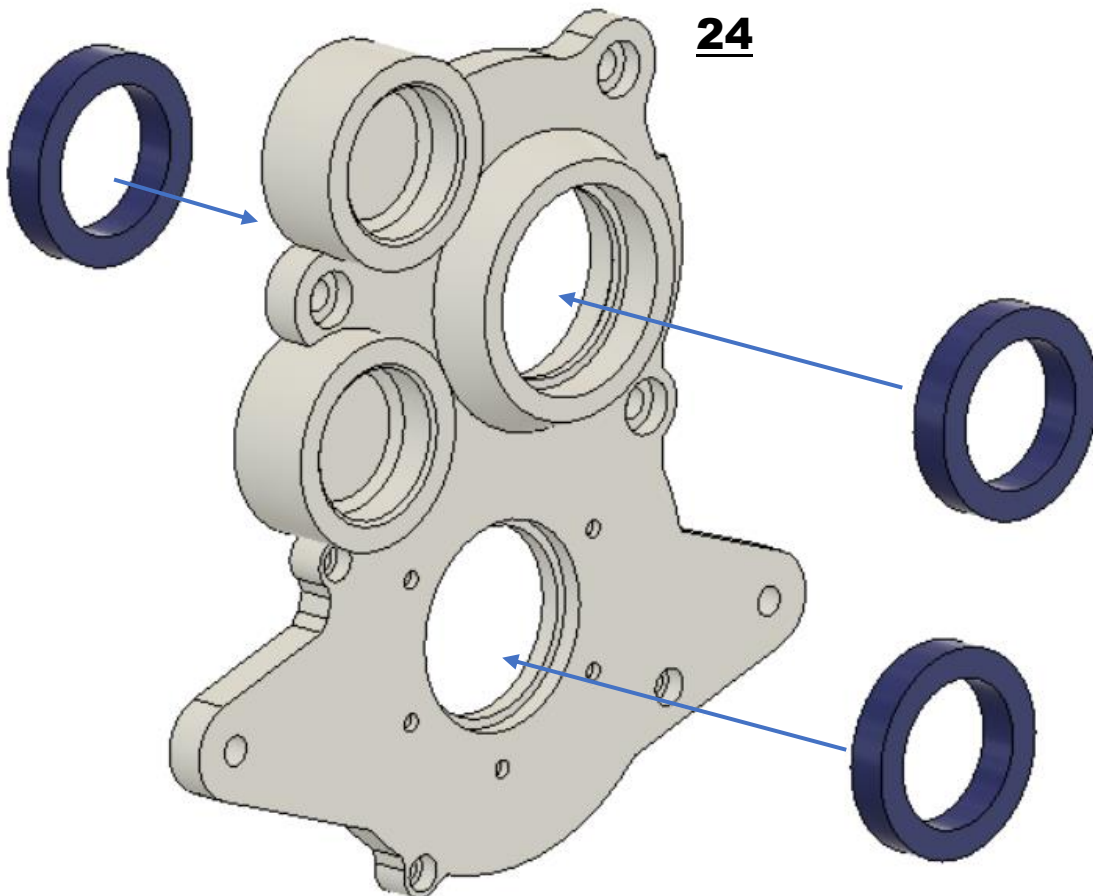
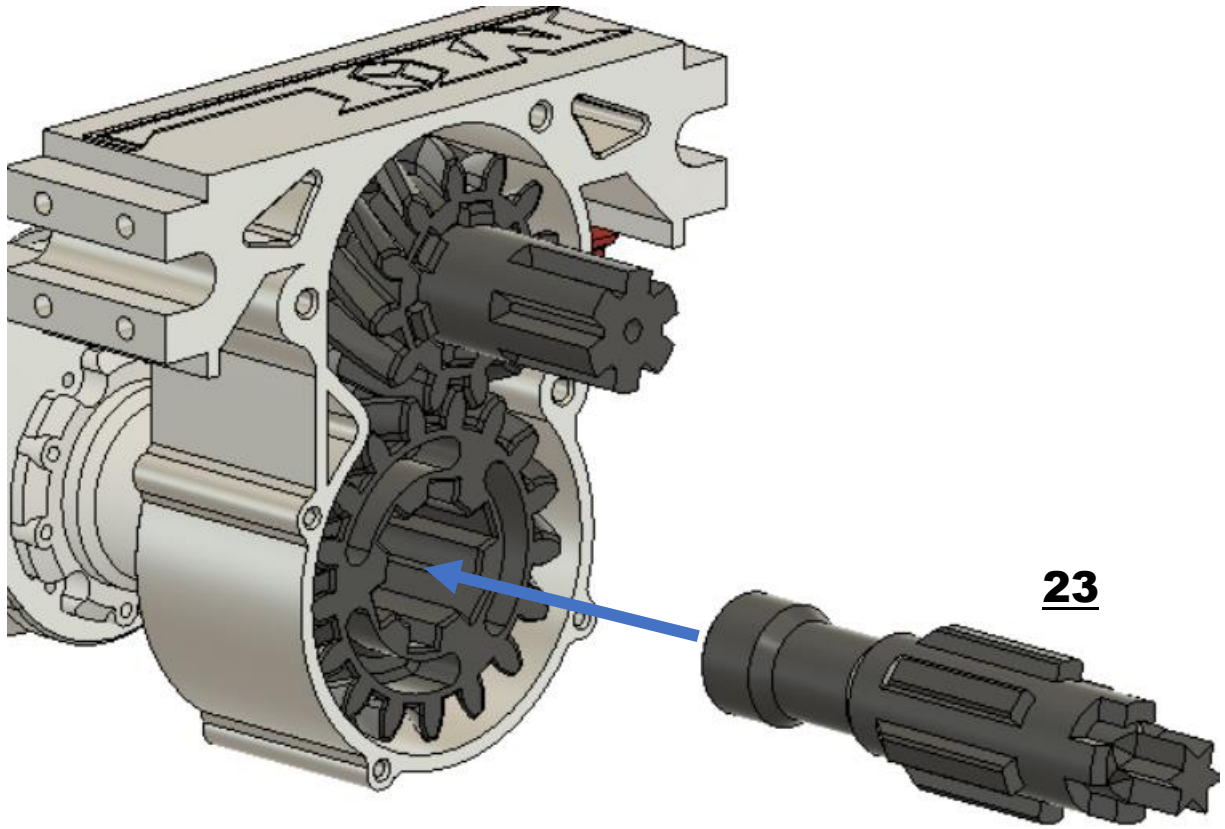


10x15x4mm



22

CentralPipe

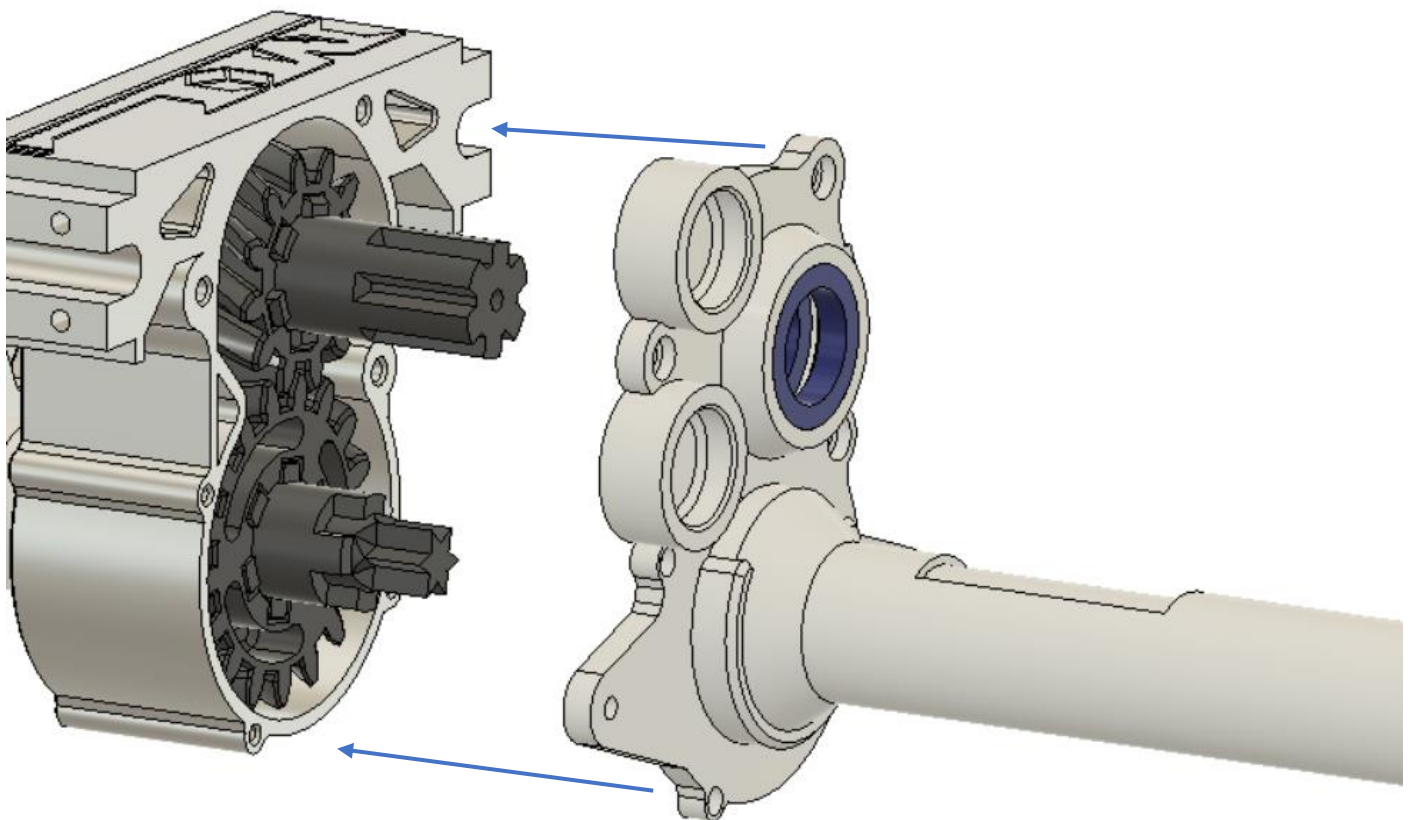
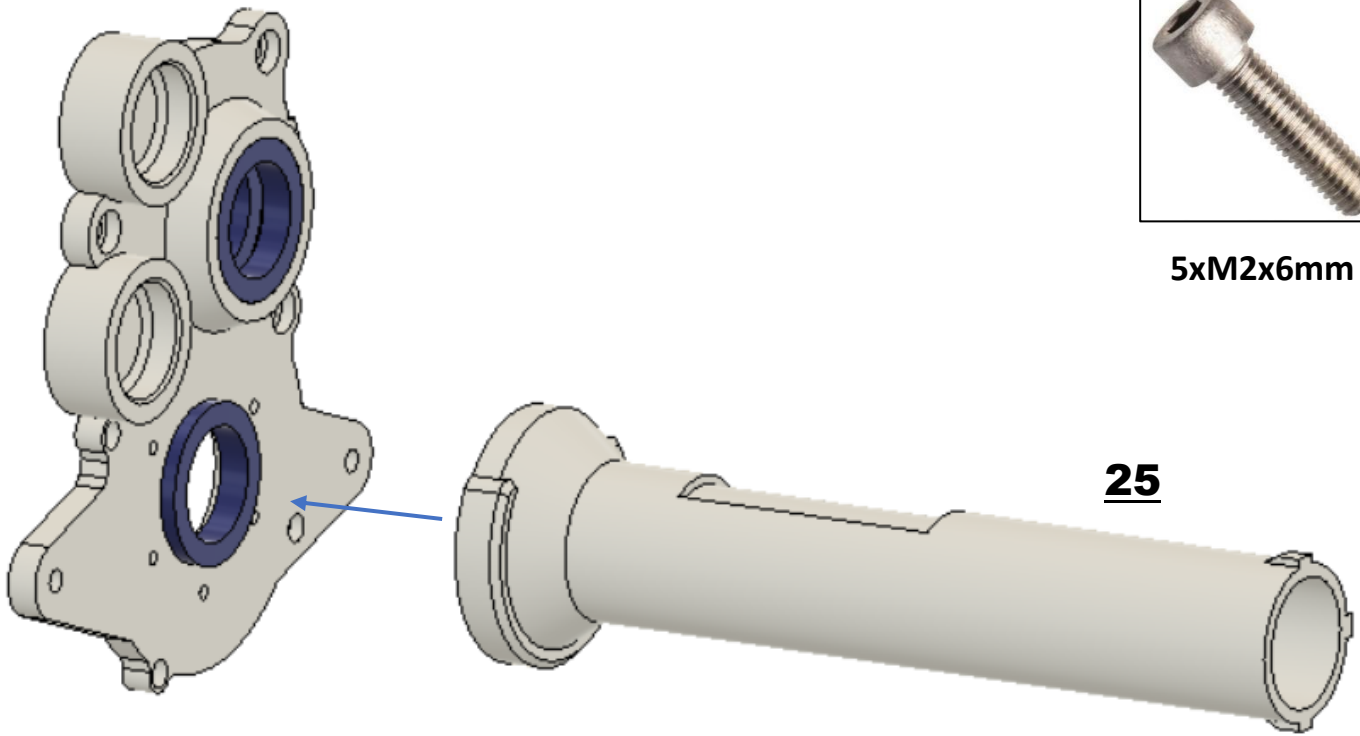


15x21x4mm

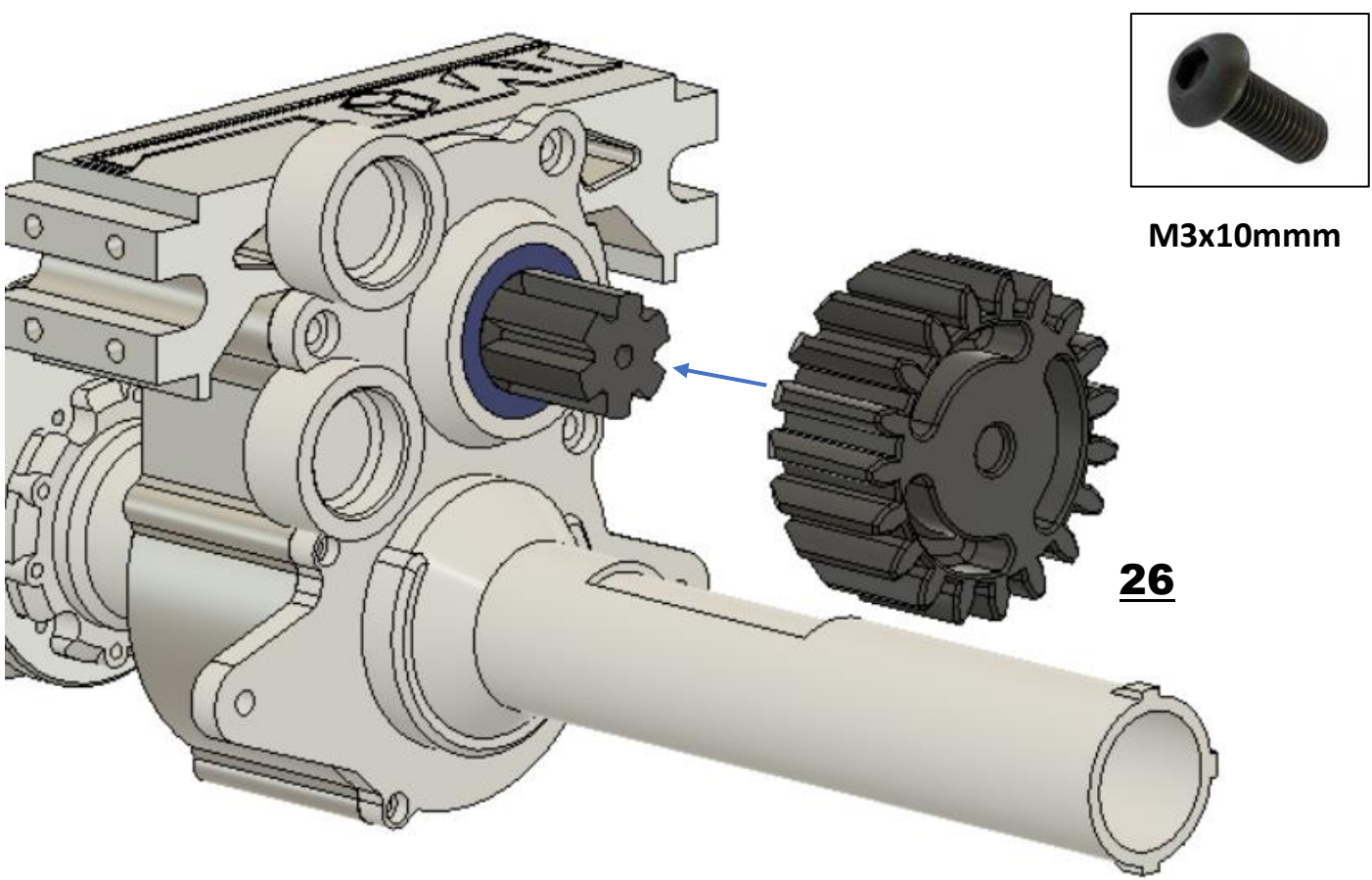
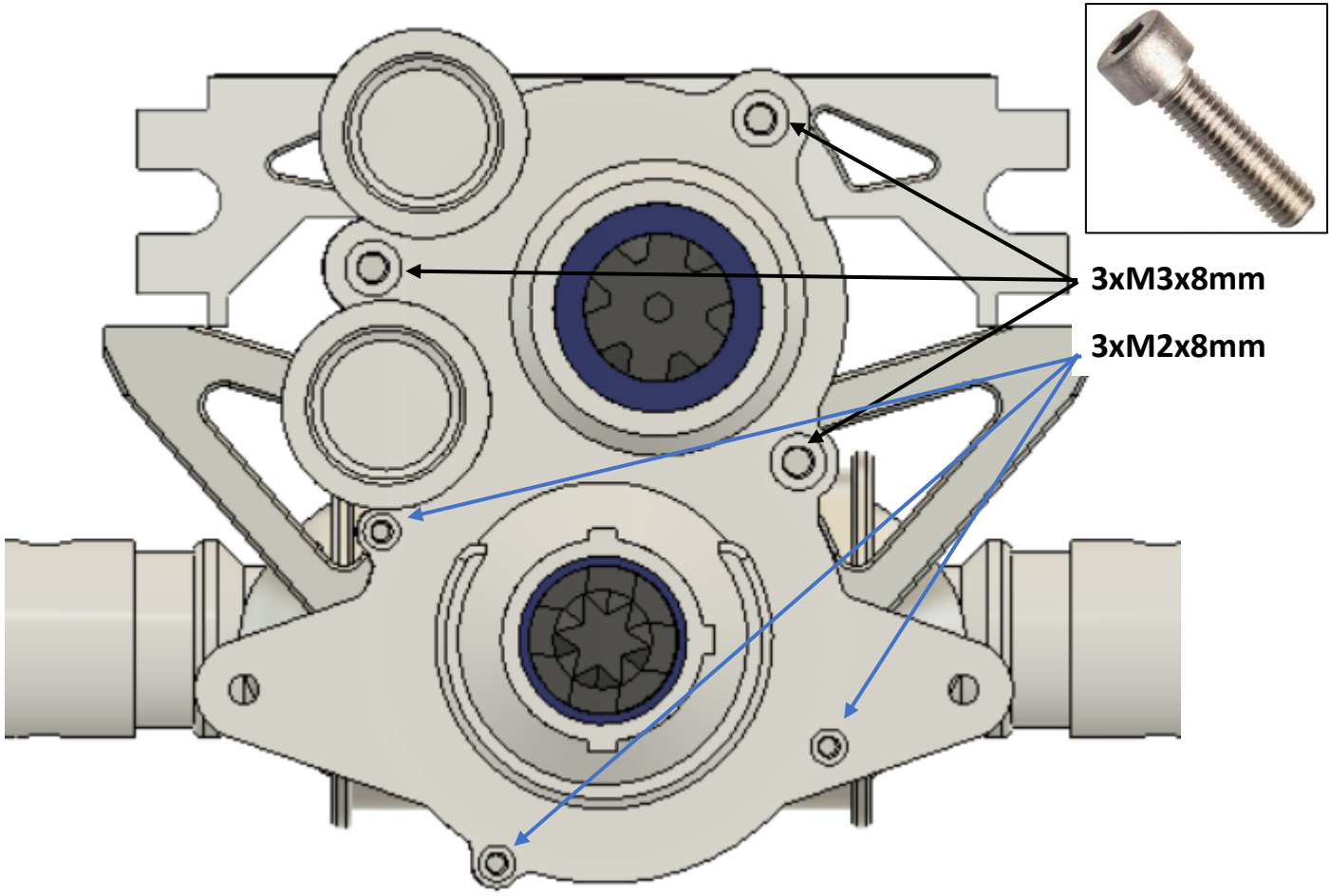
CentralPipe



5xM2x6mm



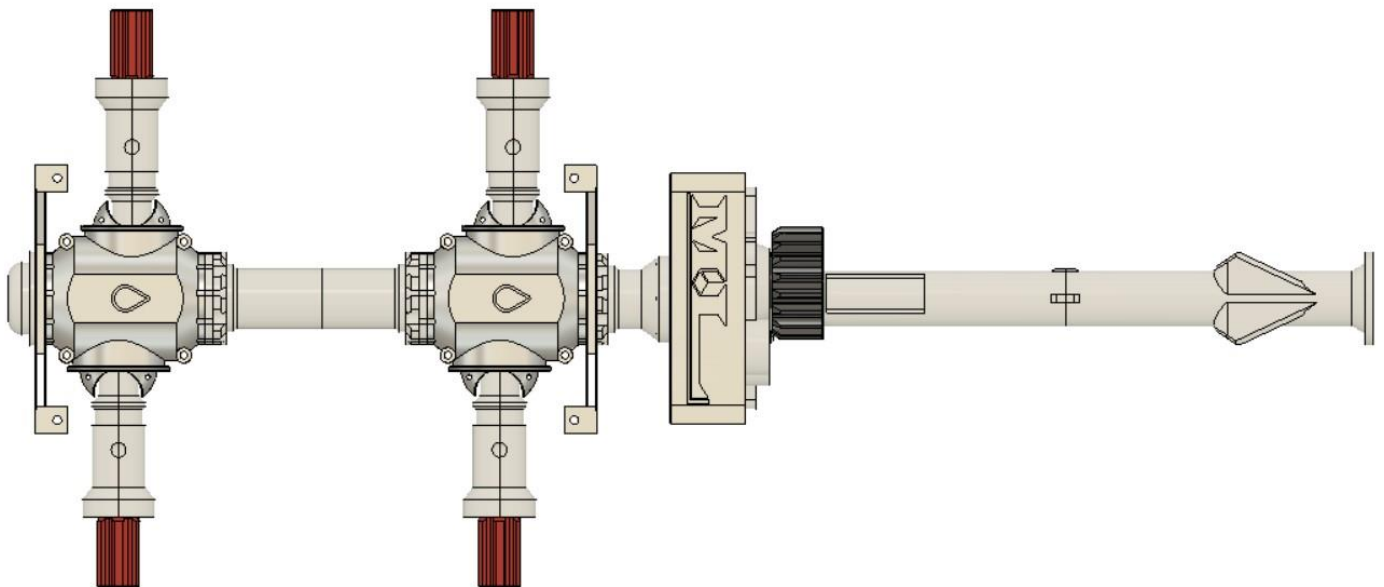
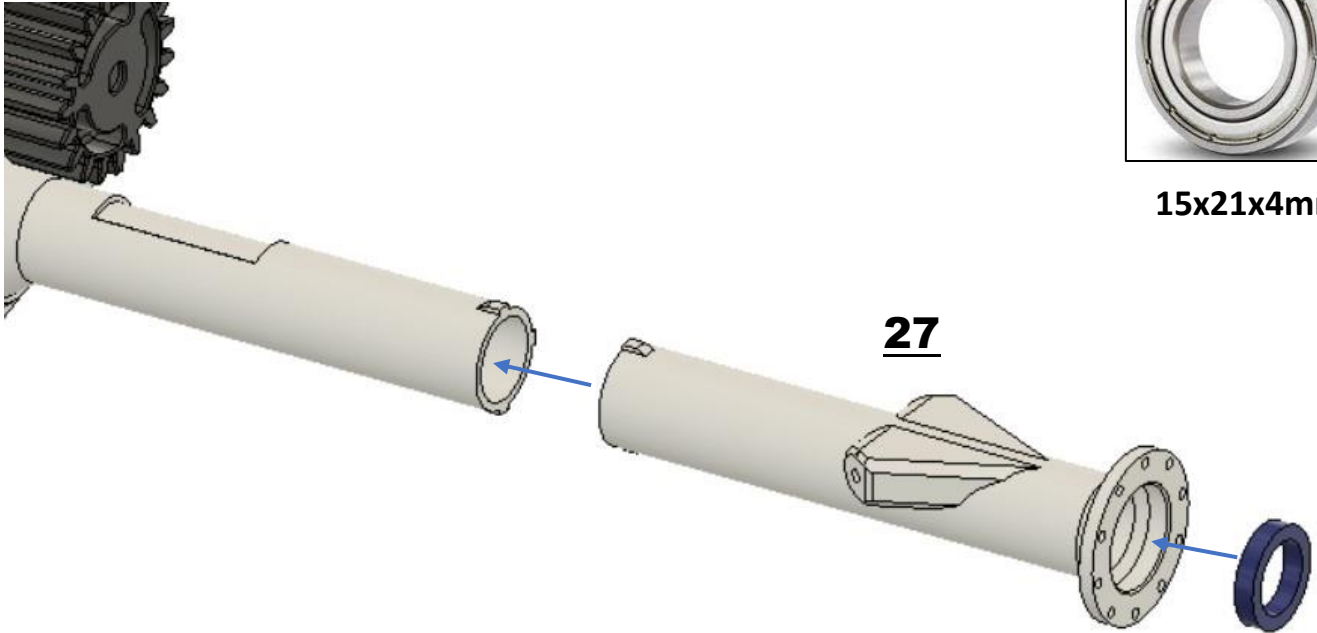
CentralPipe



CentralPipe



15x21x4mm



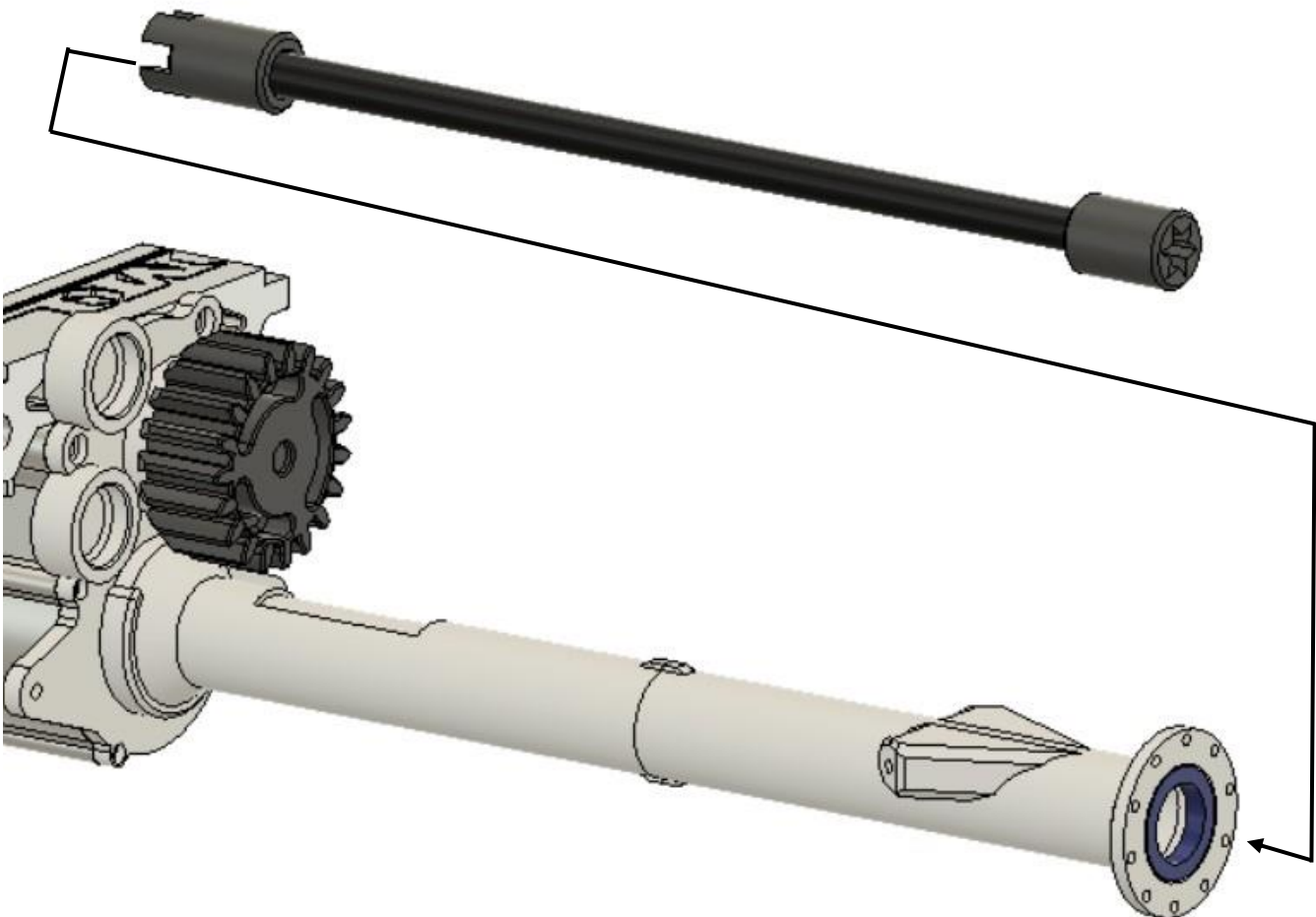
CentralPipe



28

Carbon tube 8x6x195mm

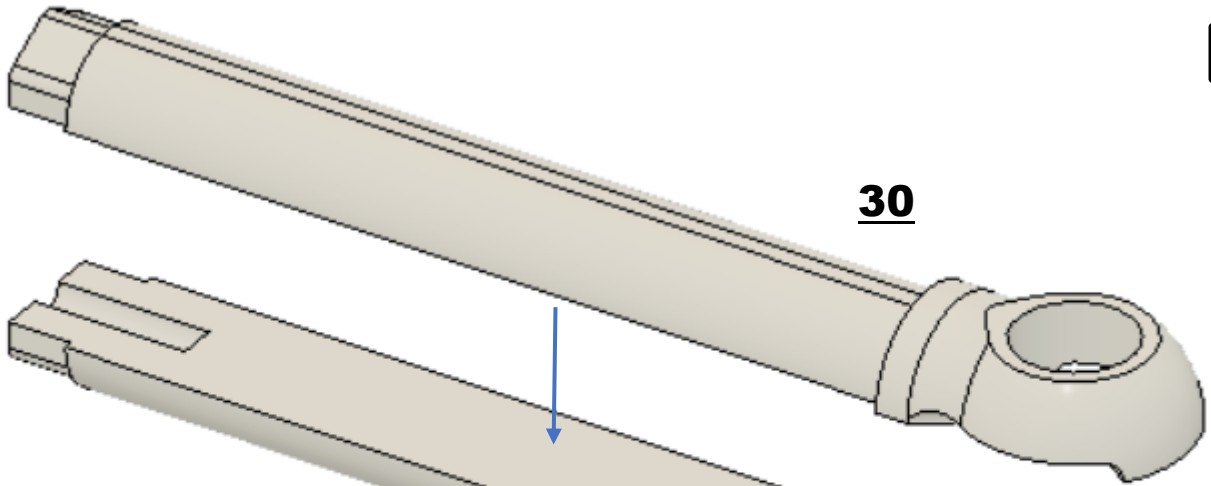
29



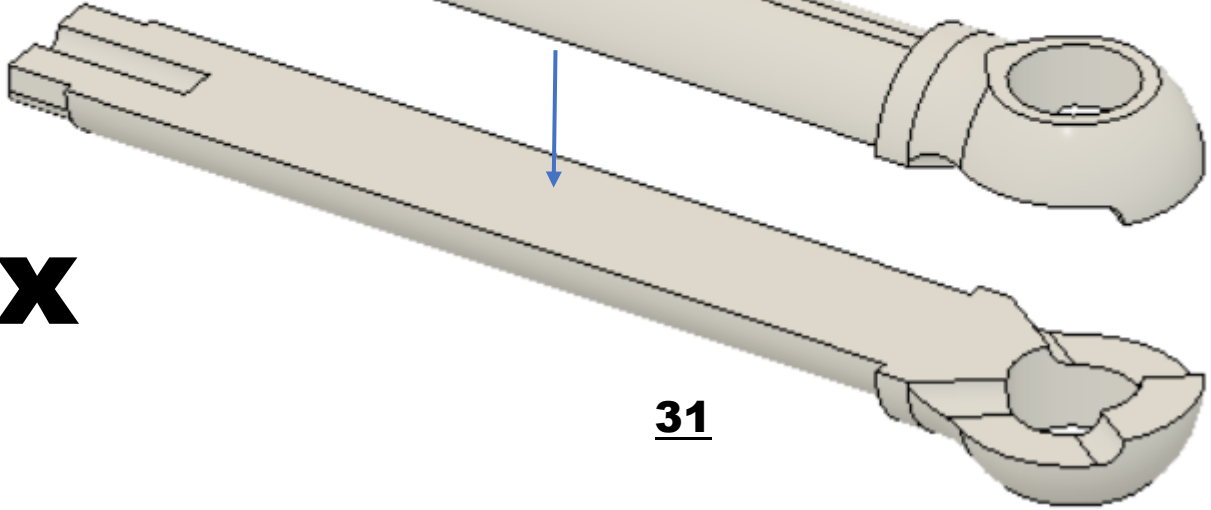
CentralPipe



30

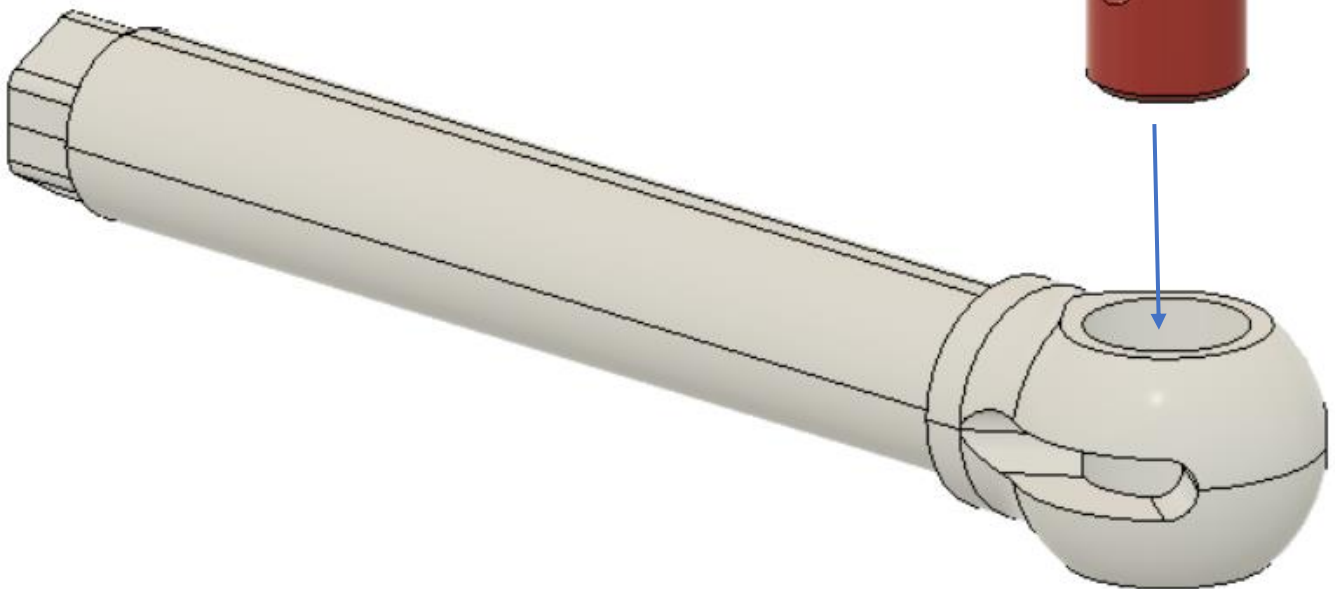


31

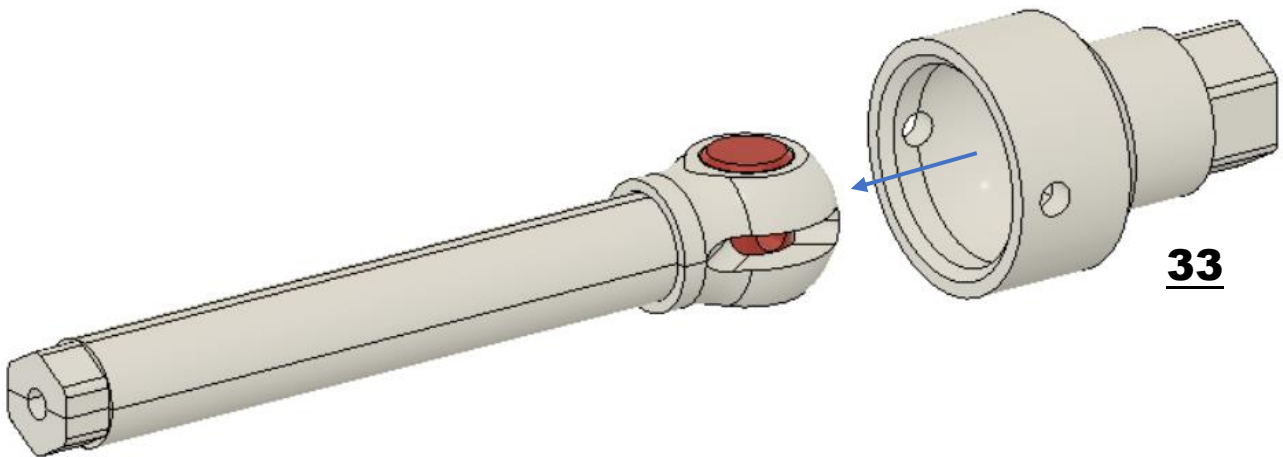


2x

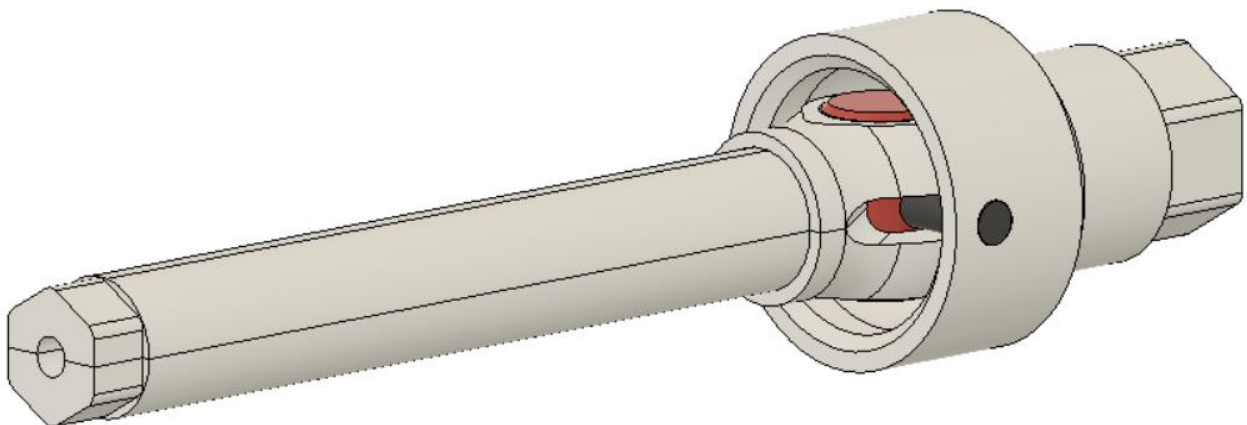
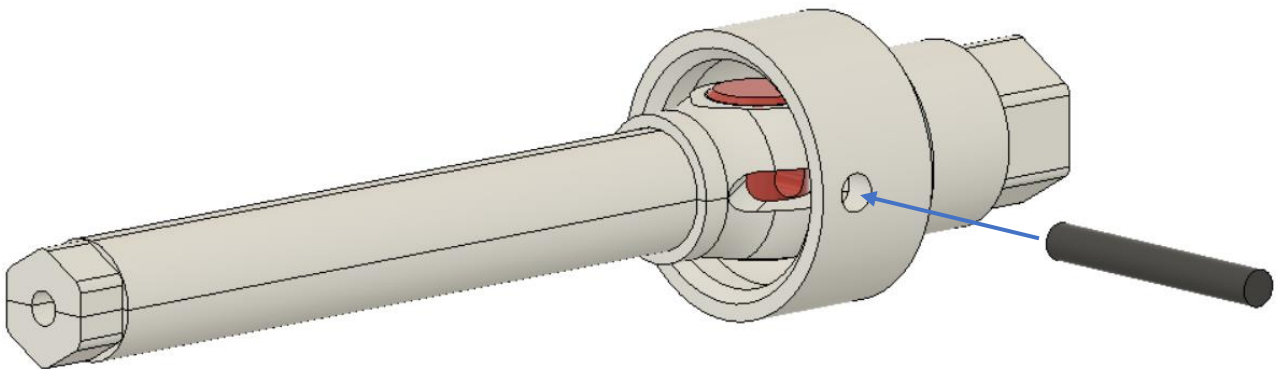
32



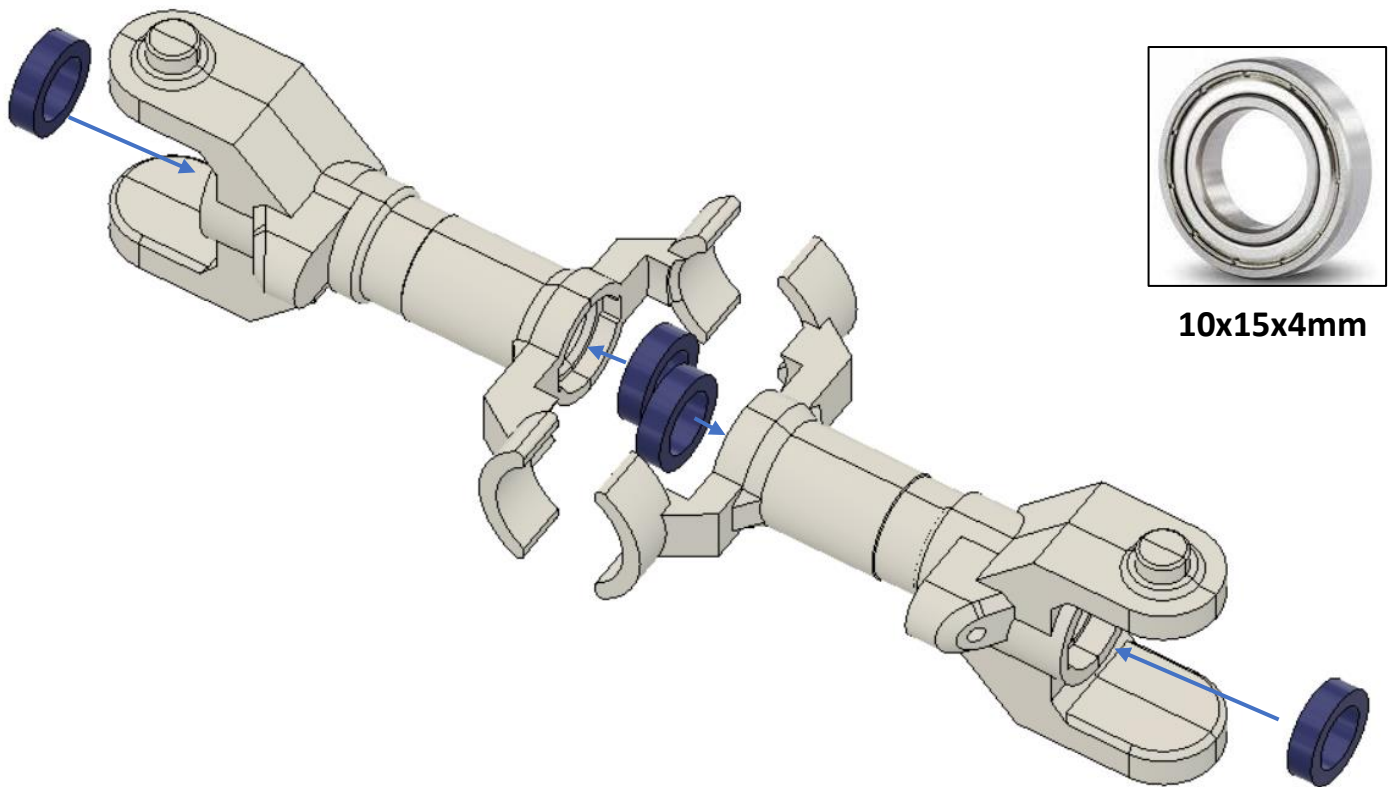
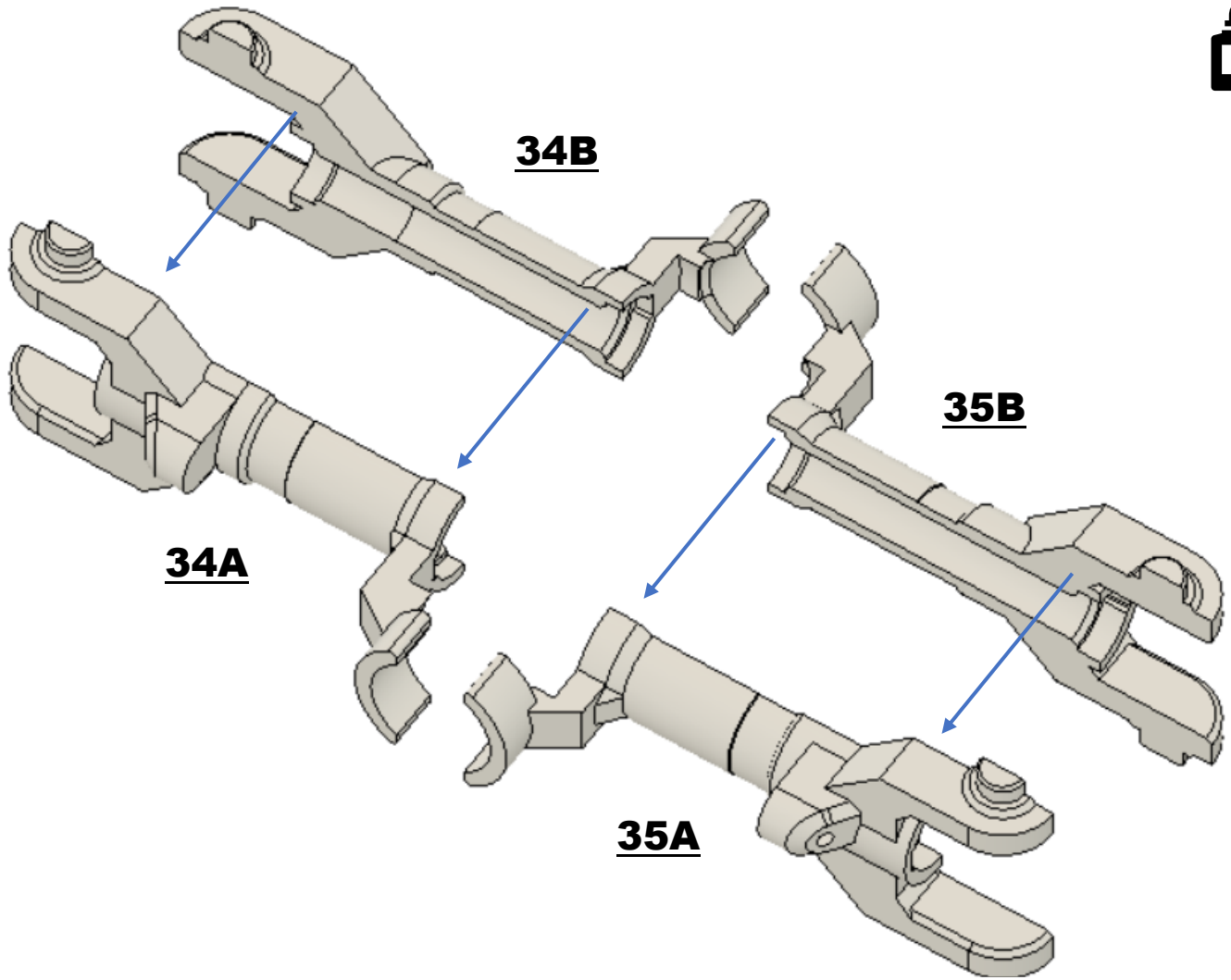
CentralPipe



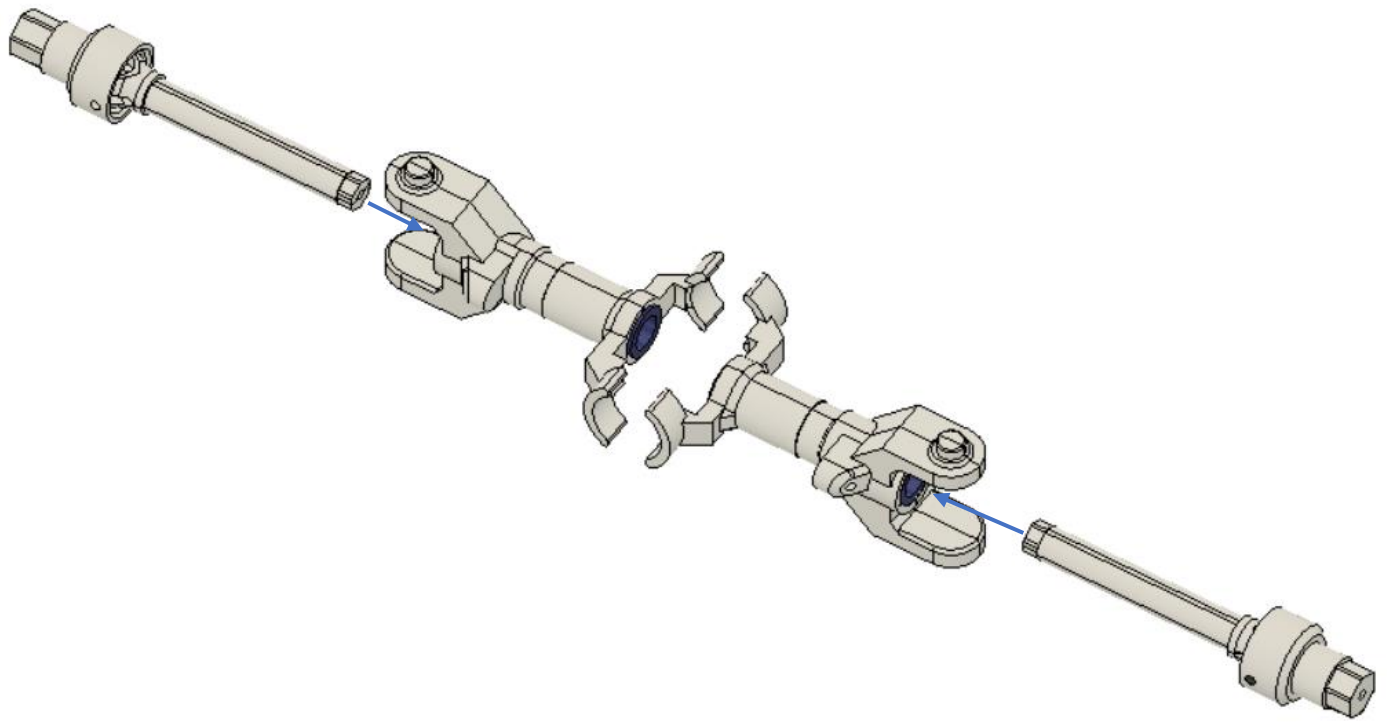
Thread steel wire (round steel, shaft) 3x23mm through the parts and secure the ends against movement with a drop of glue (in part 33). The half axle assembly must move freely in all directions.



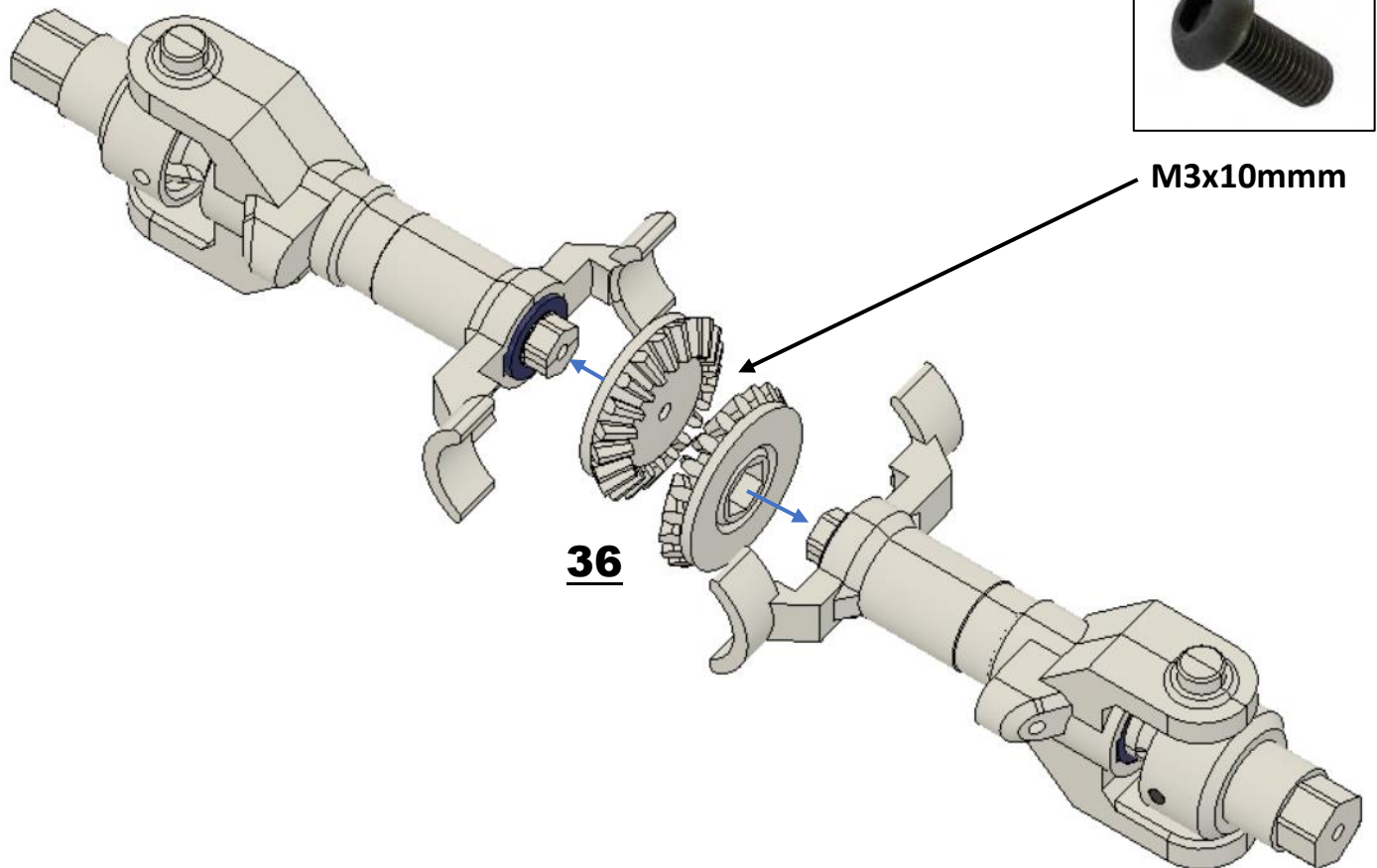
CentralPipe



CentralPipe



M3x10mm



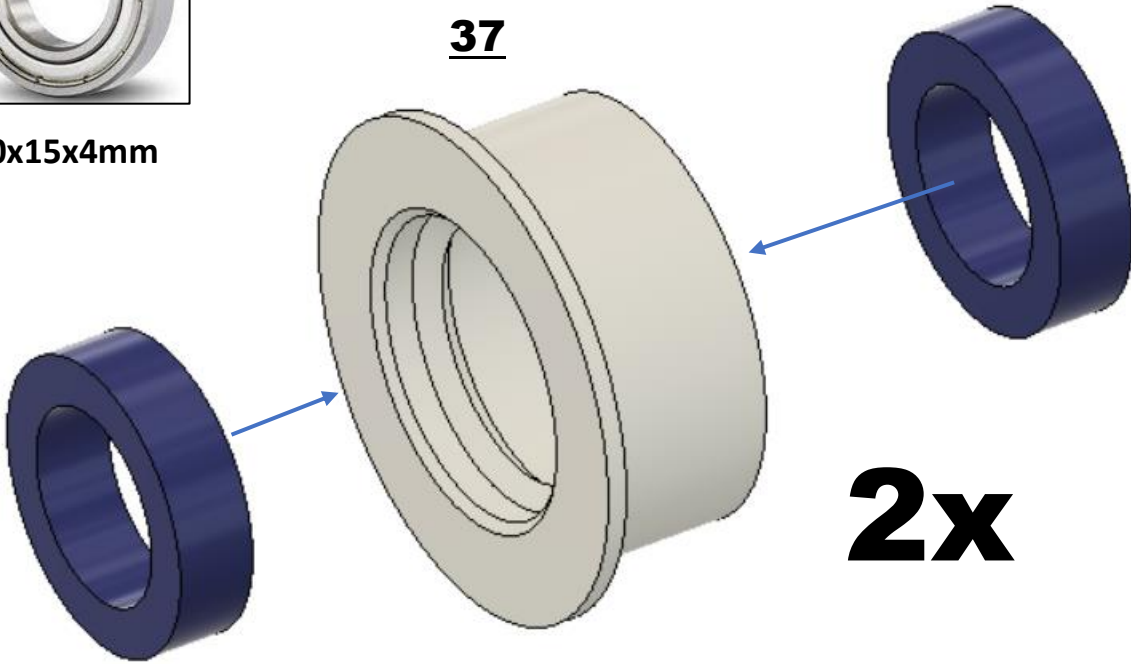
36

CentralPipe



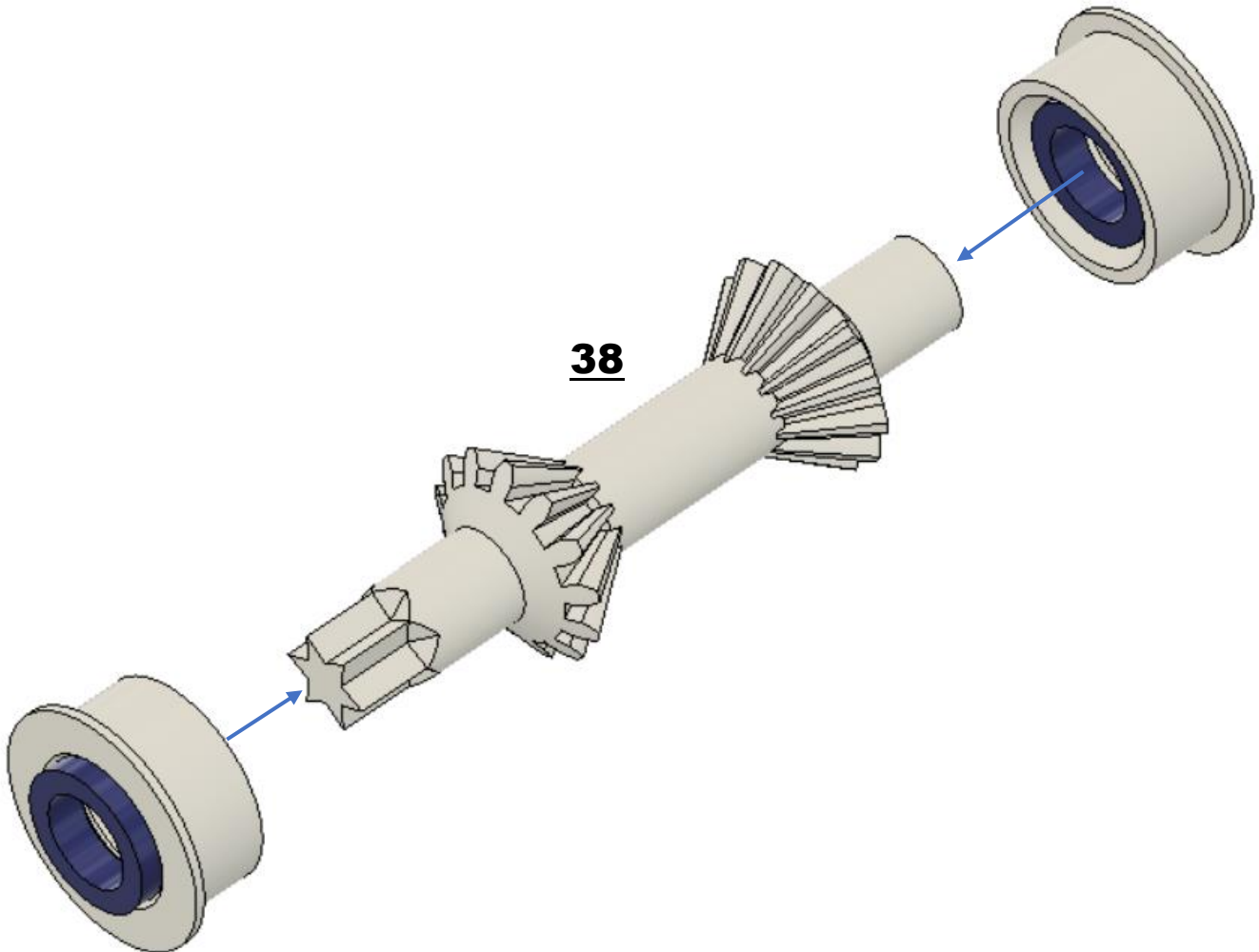
10x15x4mm

37

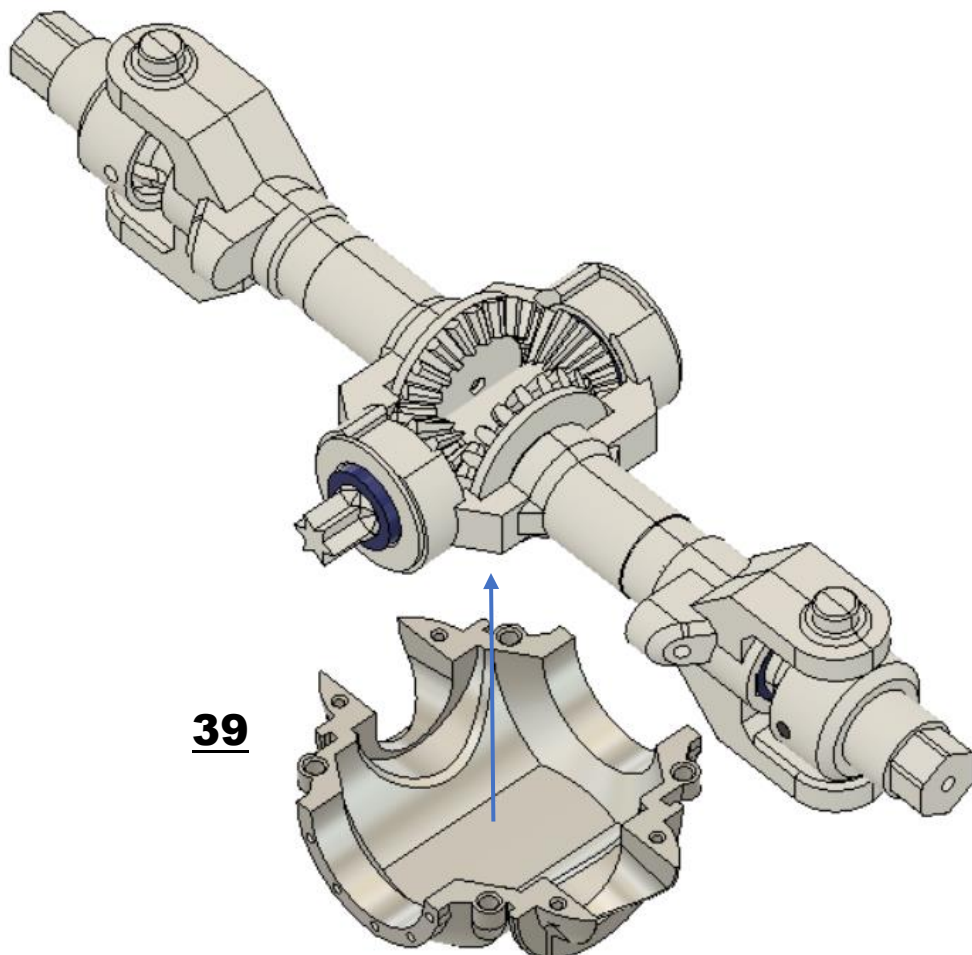
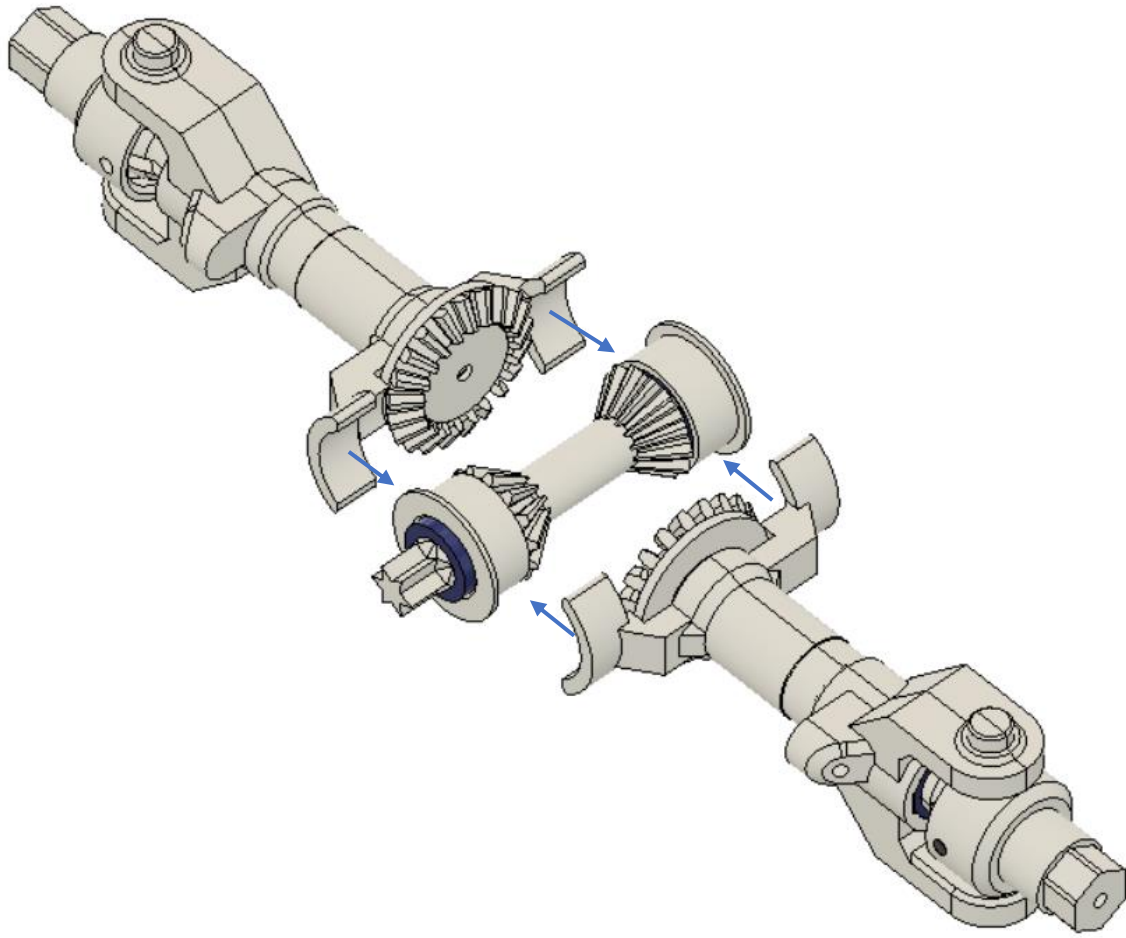


2x

38

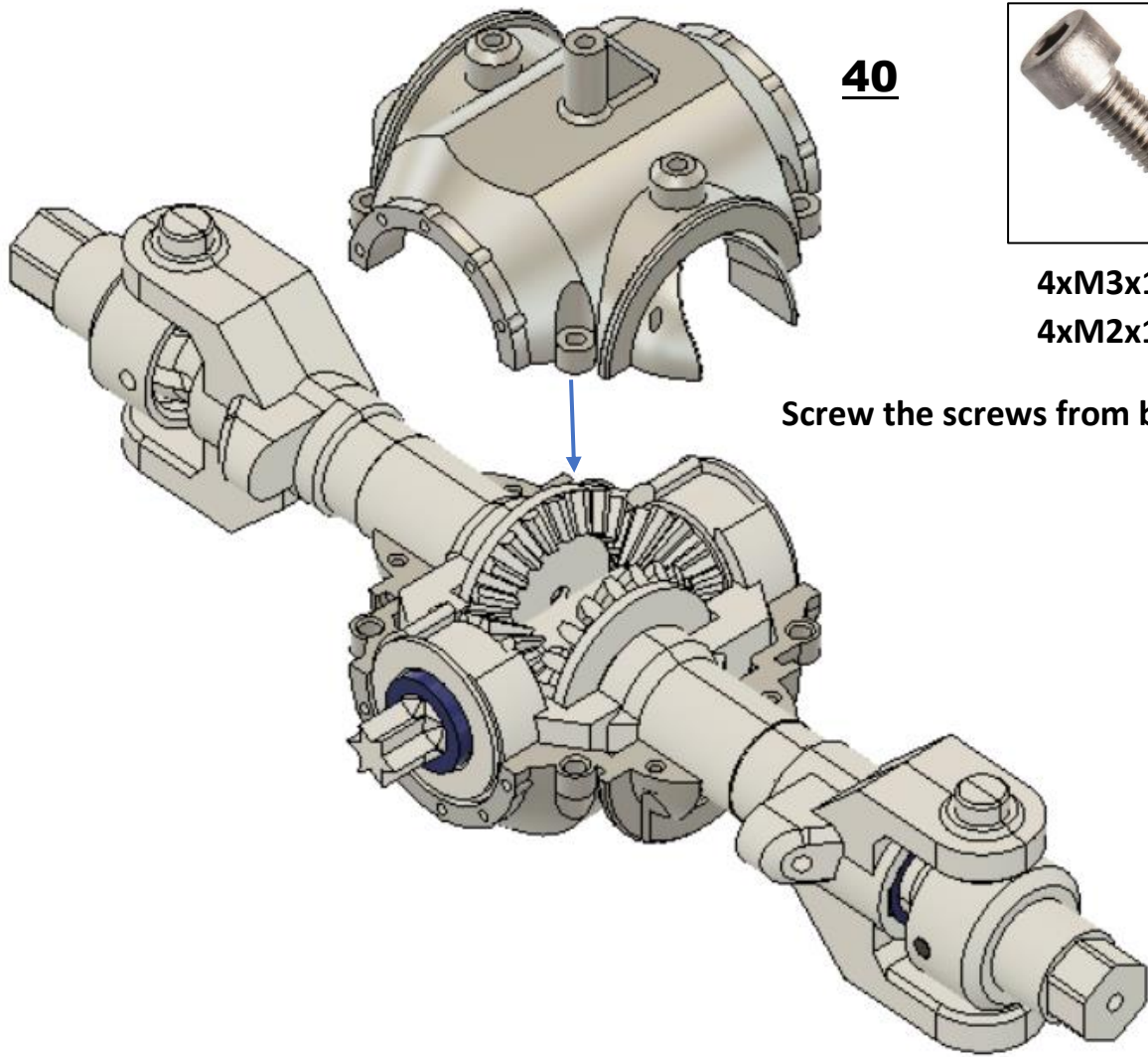


CentralPipe

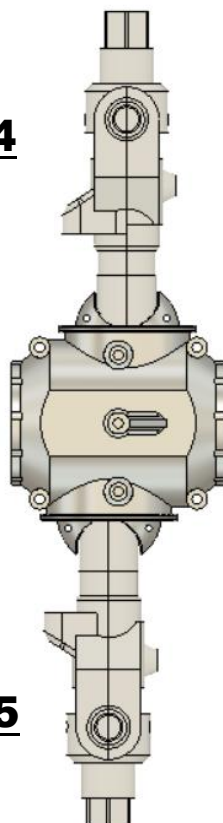


39

CentralPipe



34



35

CentralPipe



6x



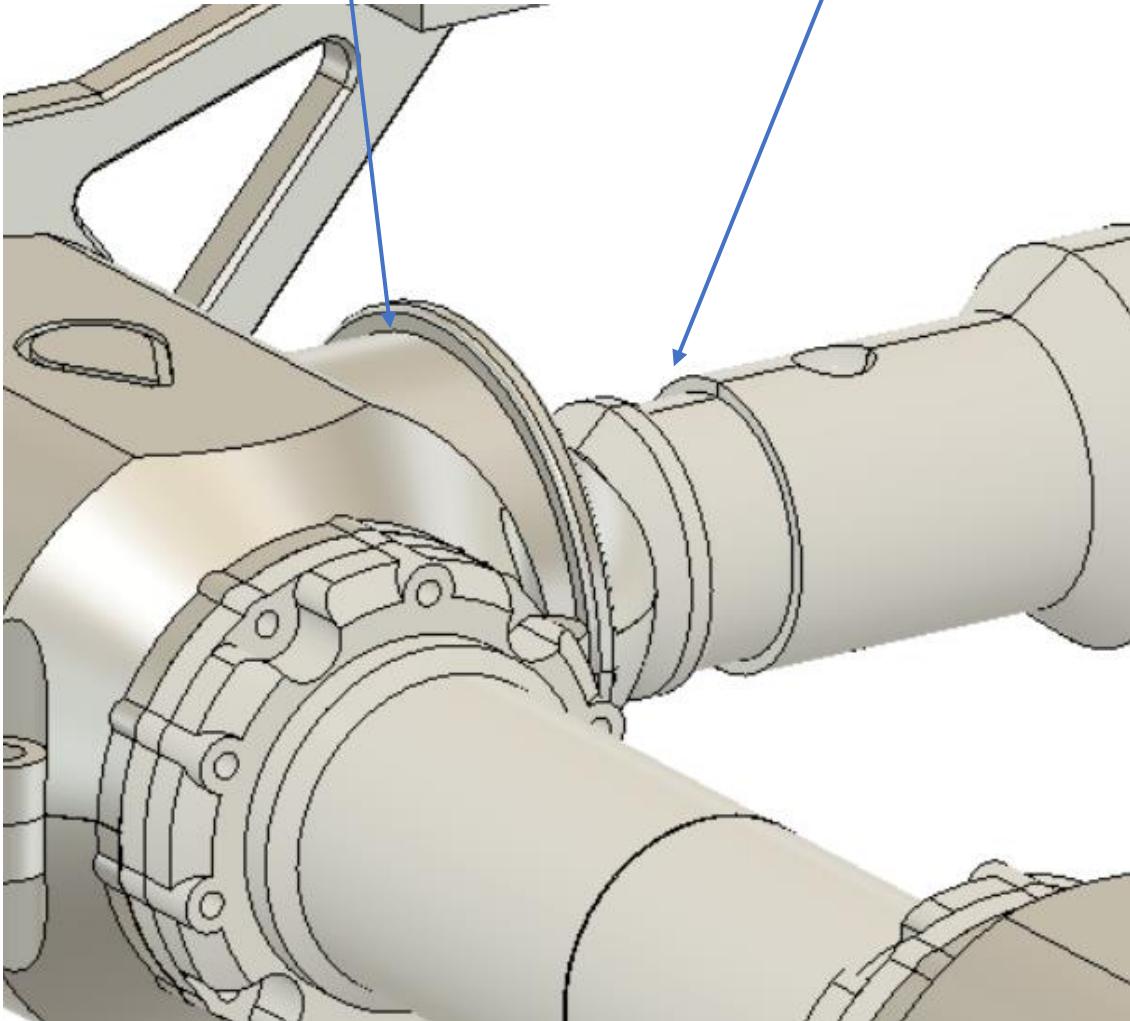
6x

Approximately 50mm



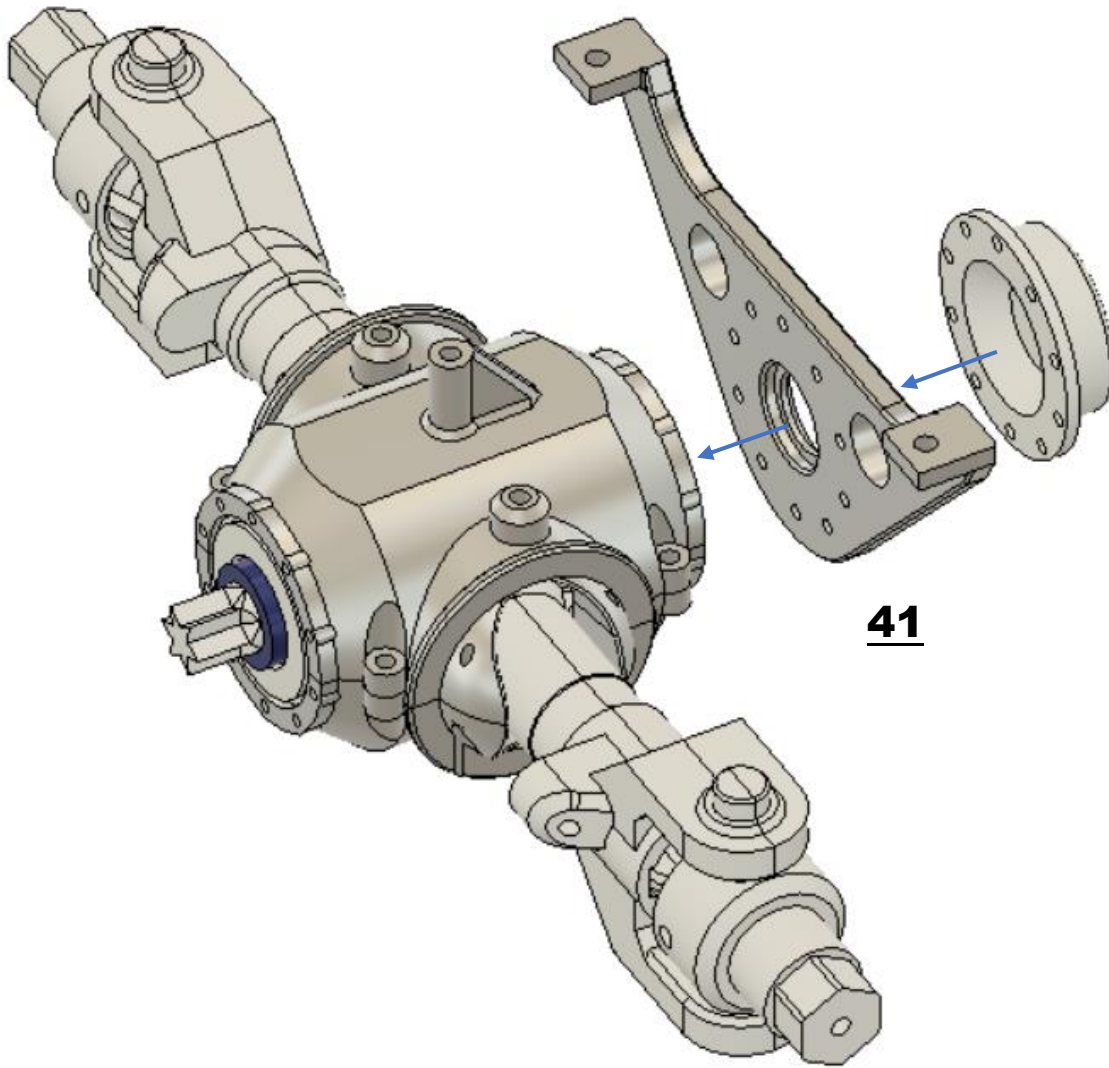
CentralPipe

6x



Roll up the excess rest of the balloon and neatly adjust the balloon in the groove on the semi-axes

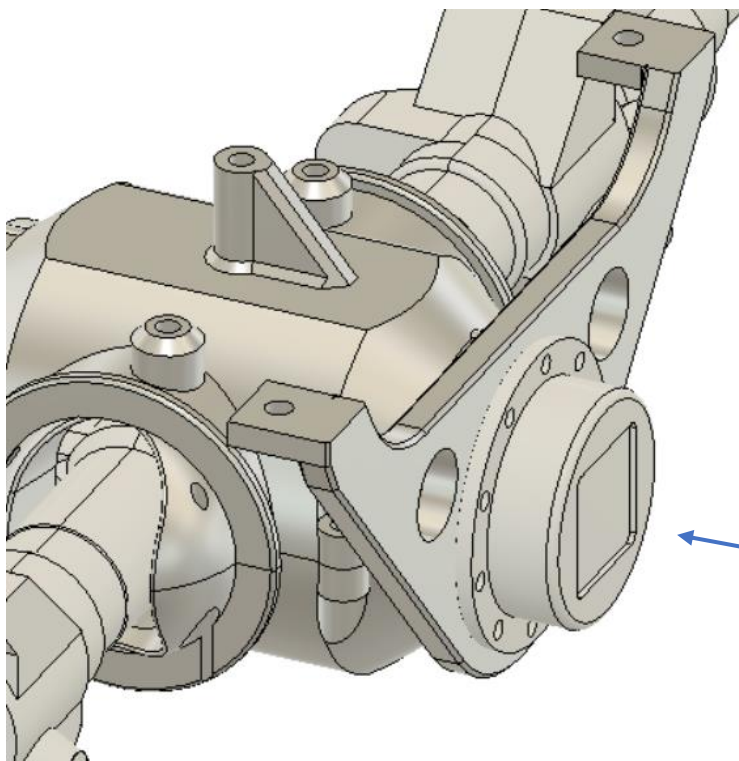
CentralPipe



10xM2x10mm

42

41



43

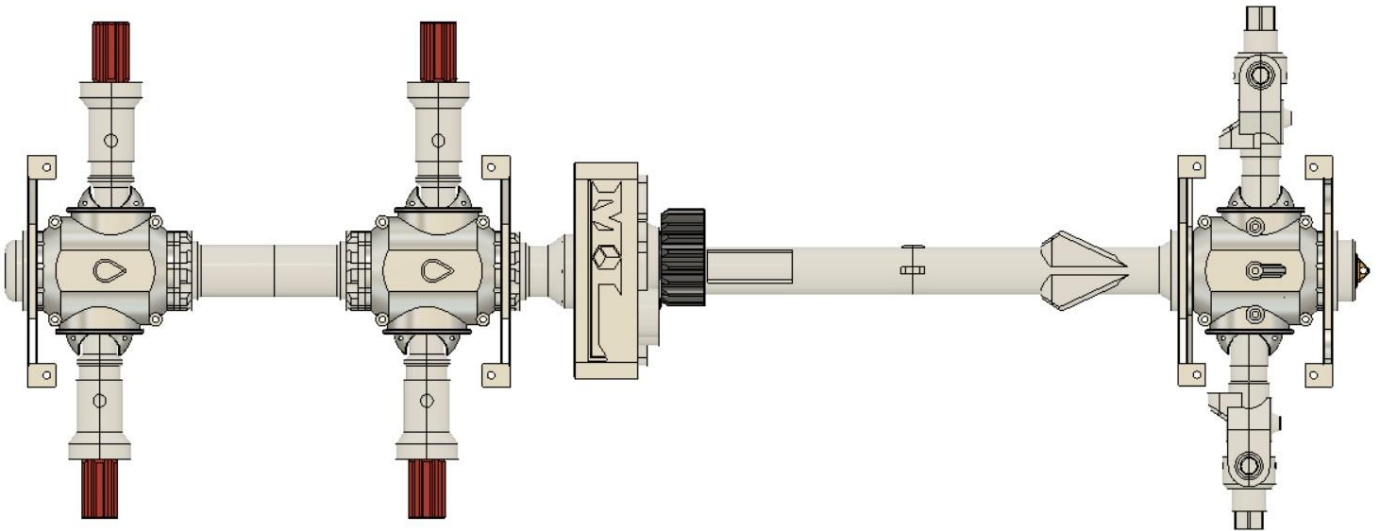
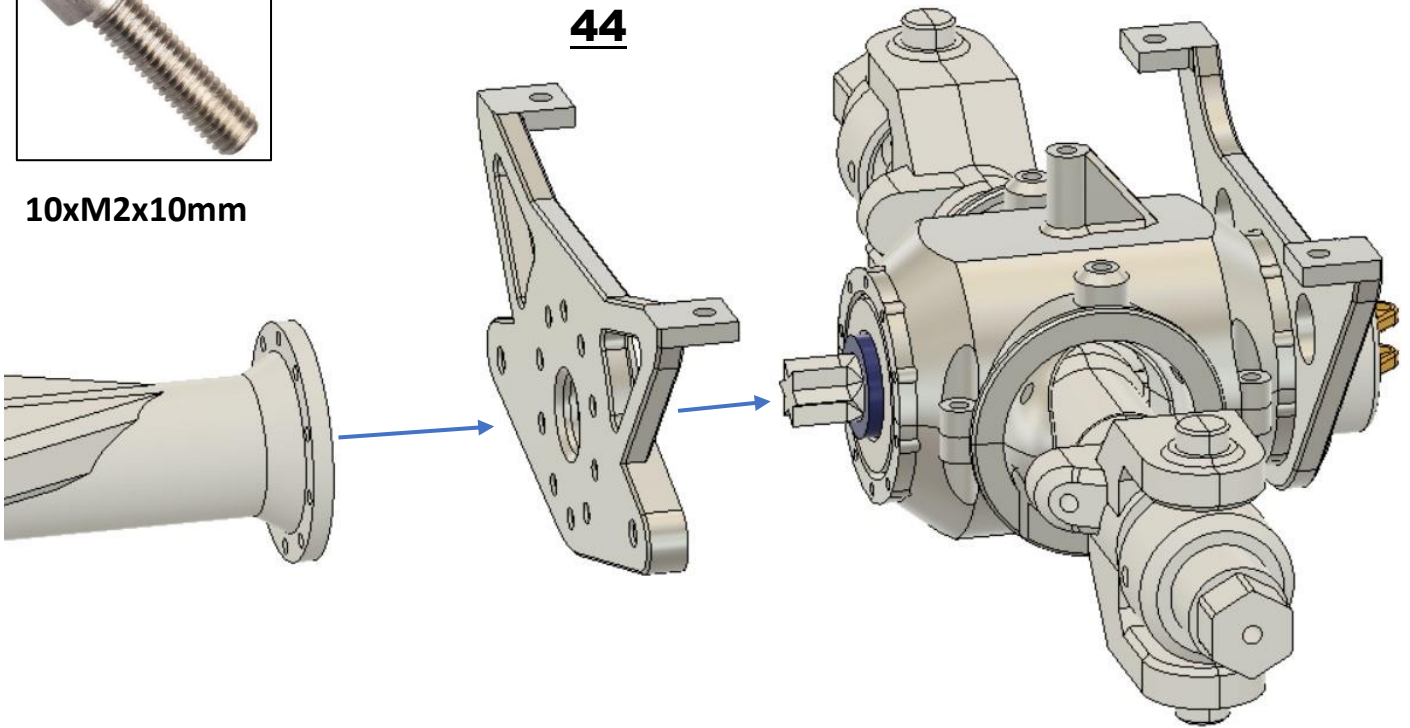


CentralPipe

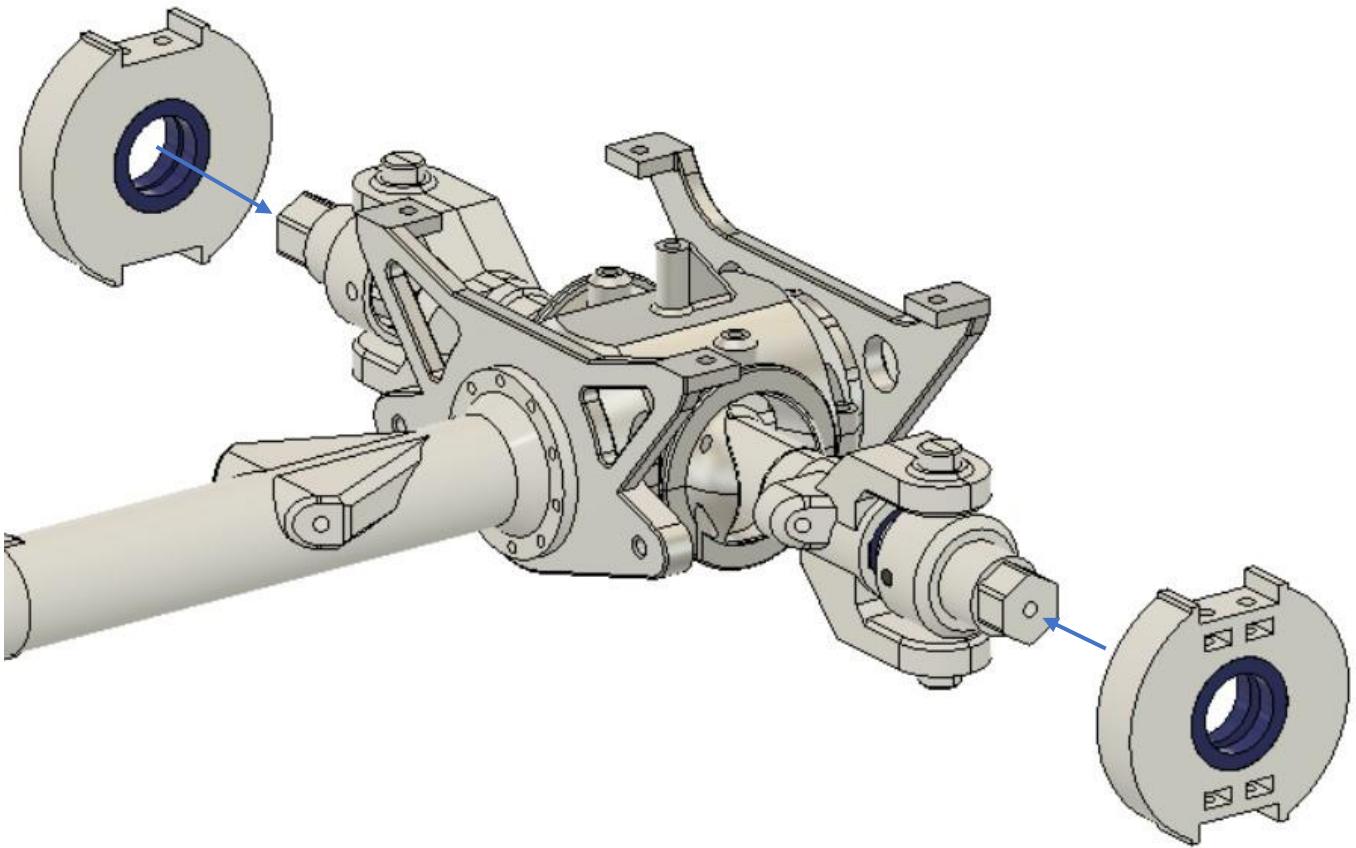
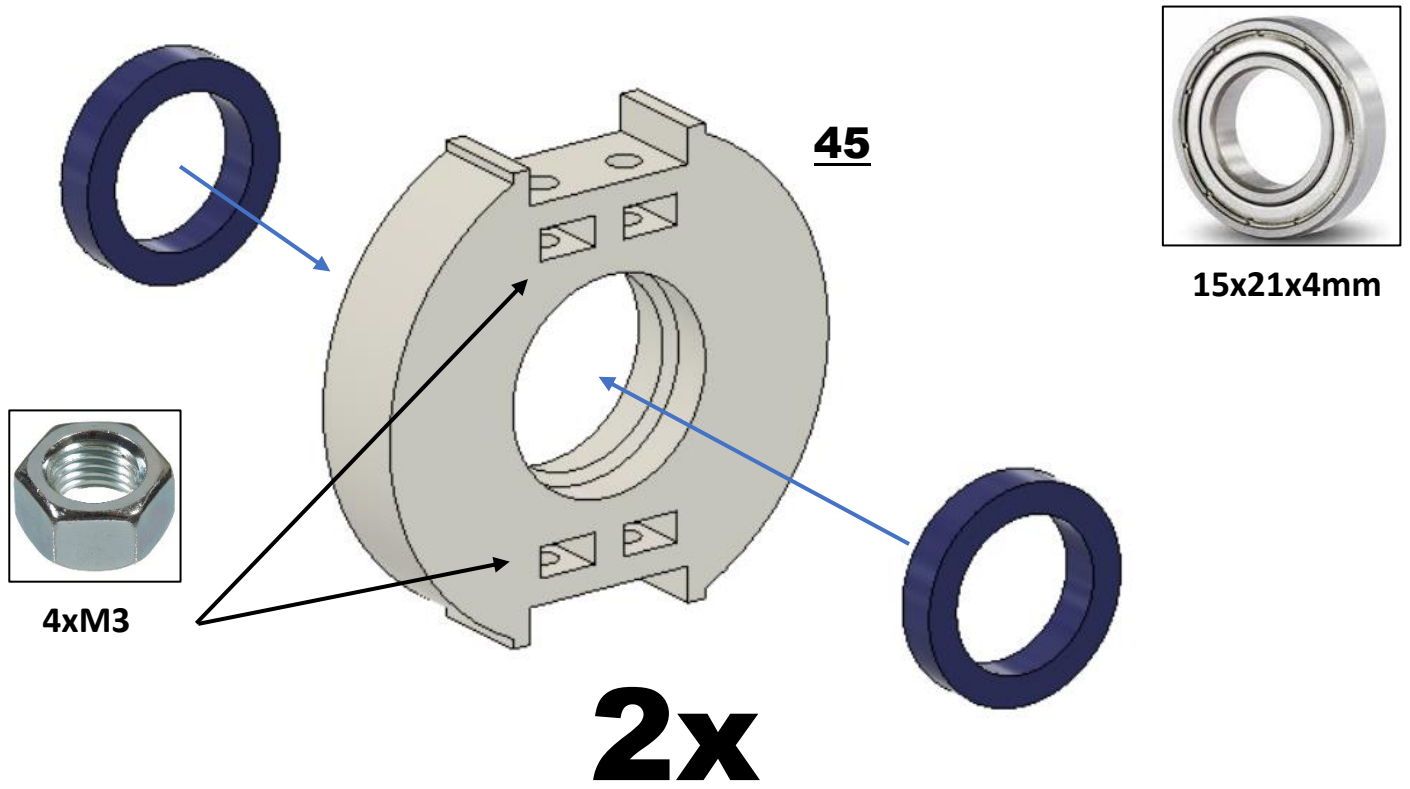


10xM2x10mm

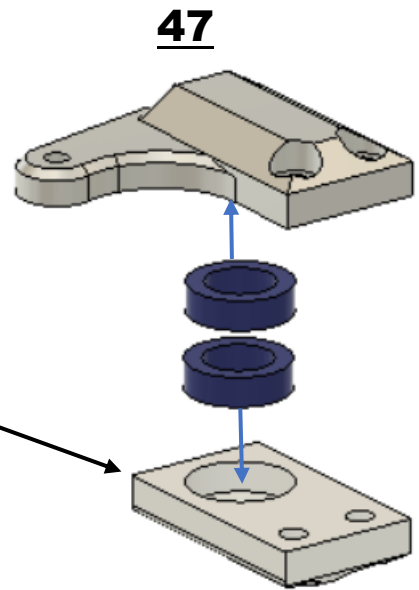
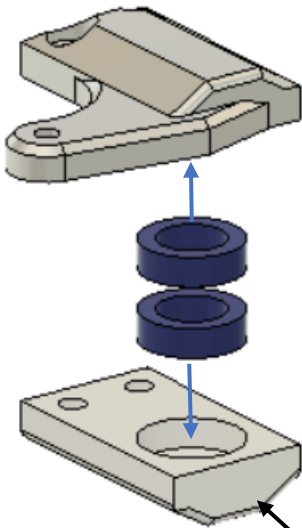
44



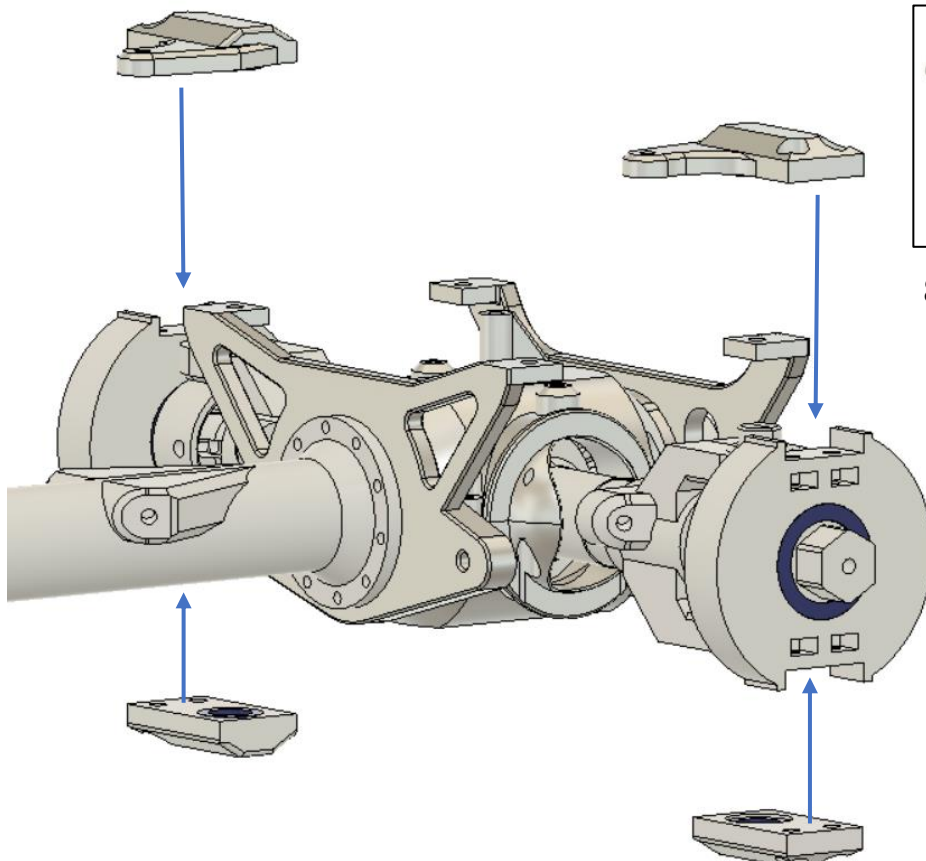
CentralPipe



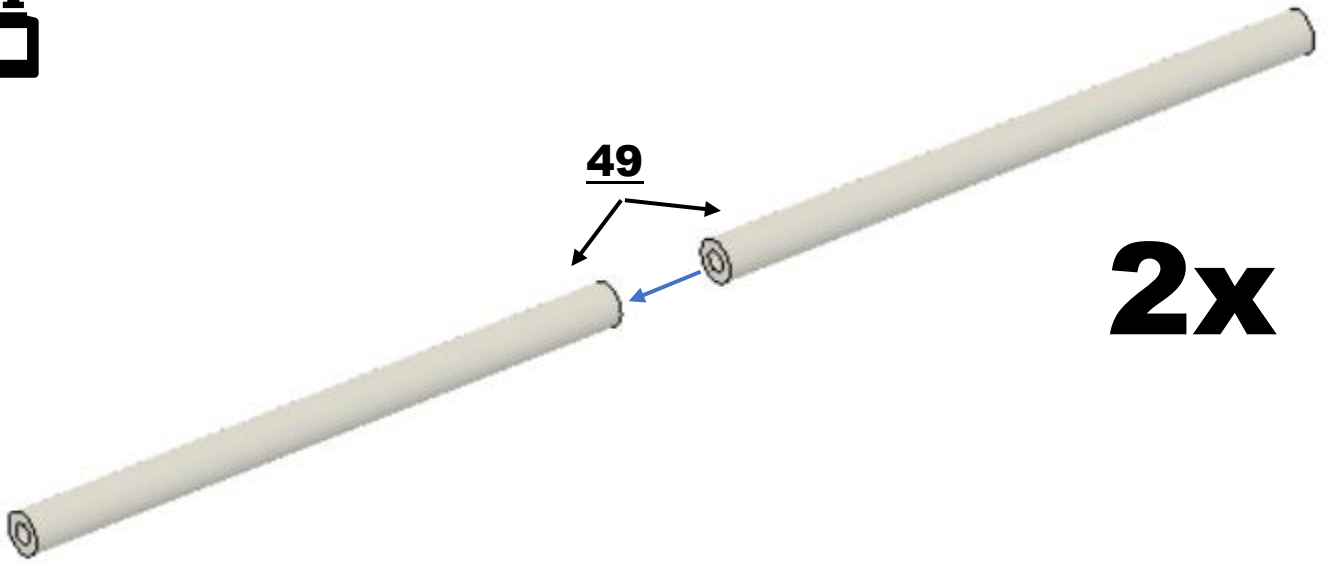
CentralPipe



48

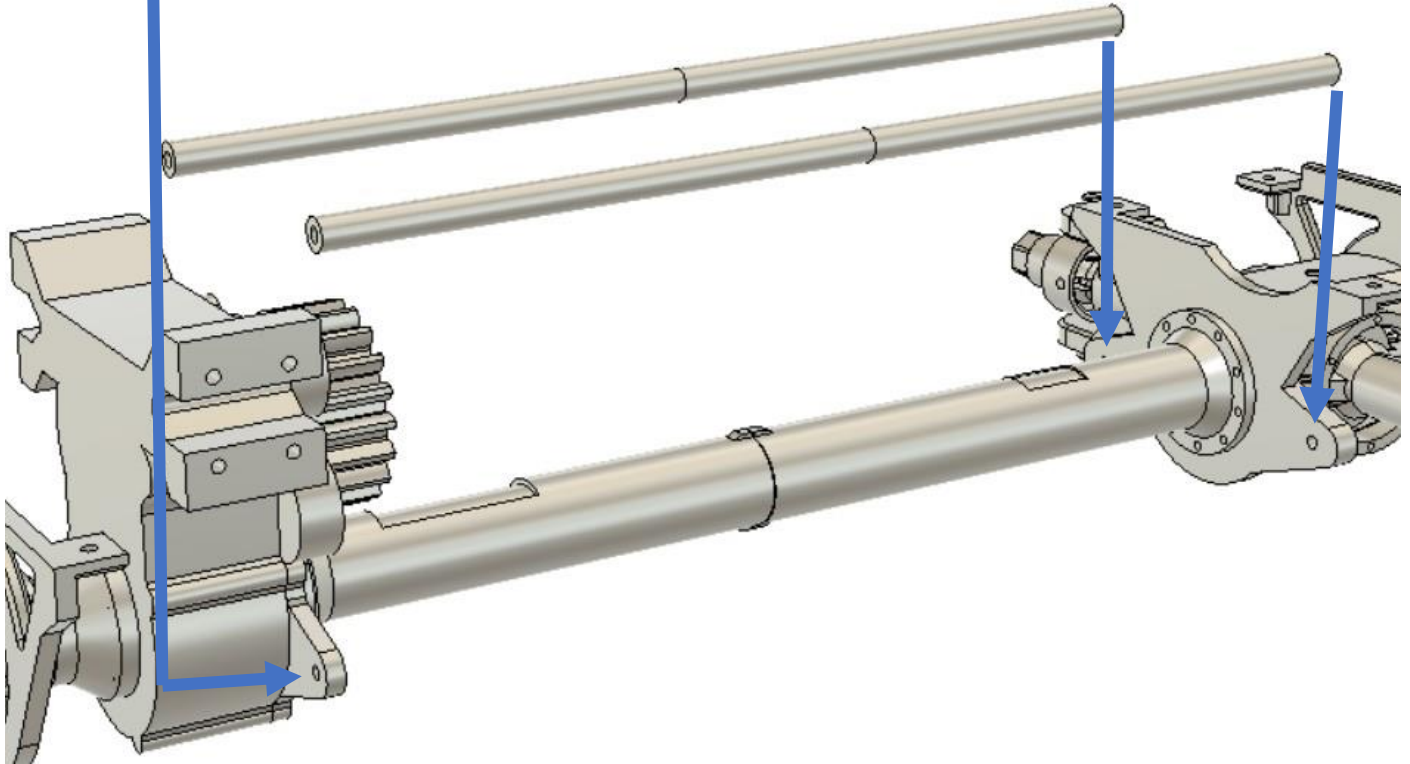


CentralPipe

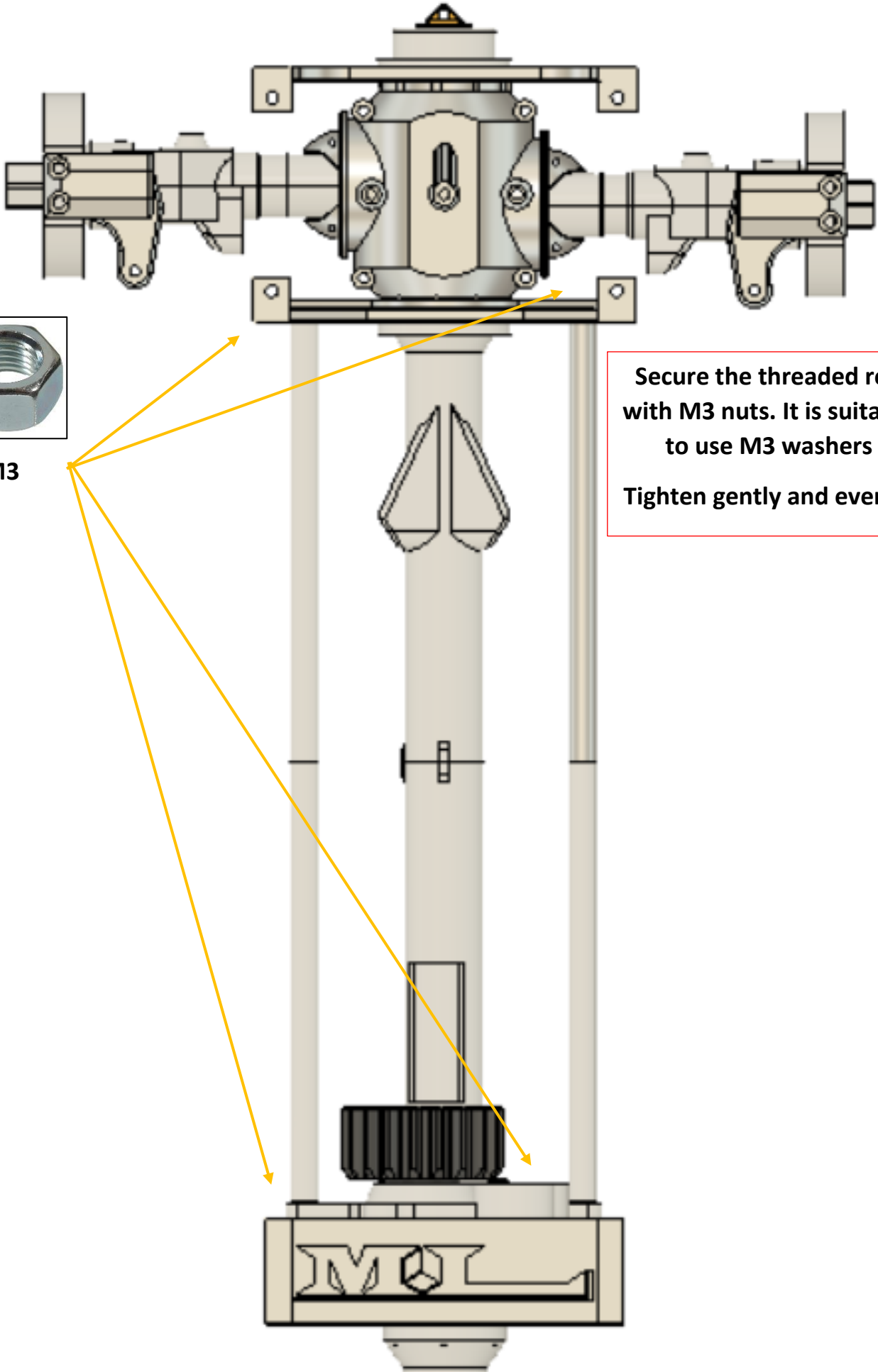


2x

Threaded rod
2x M3x250mm



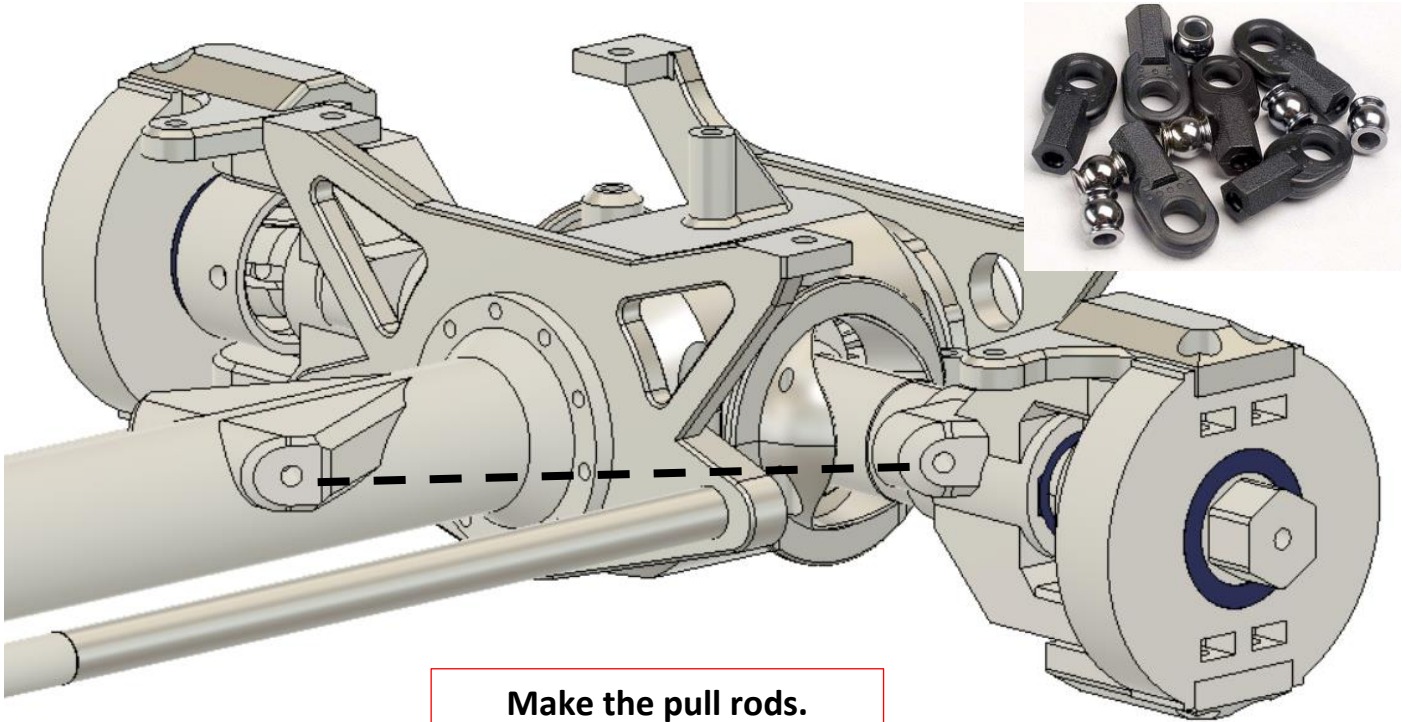
CentralPipe



Secure the threaded rod
with M3 nuts. It is suitable
to use M3 washers
Tighten gently and evenly.

4xM3

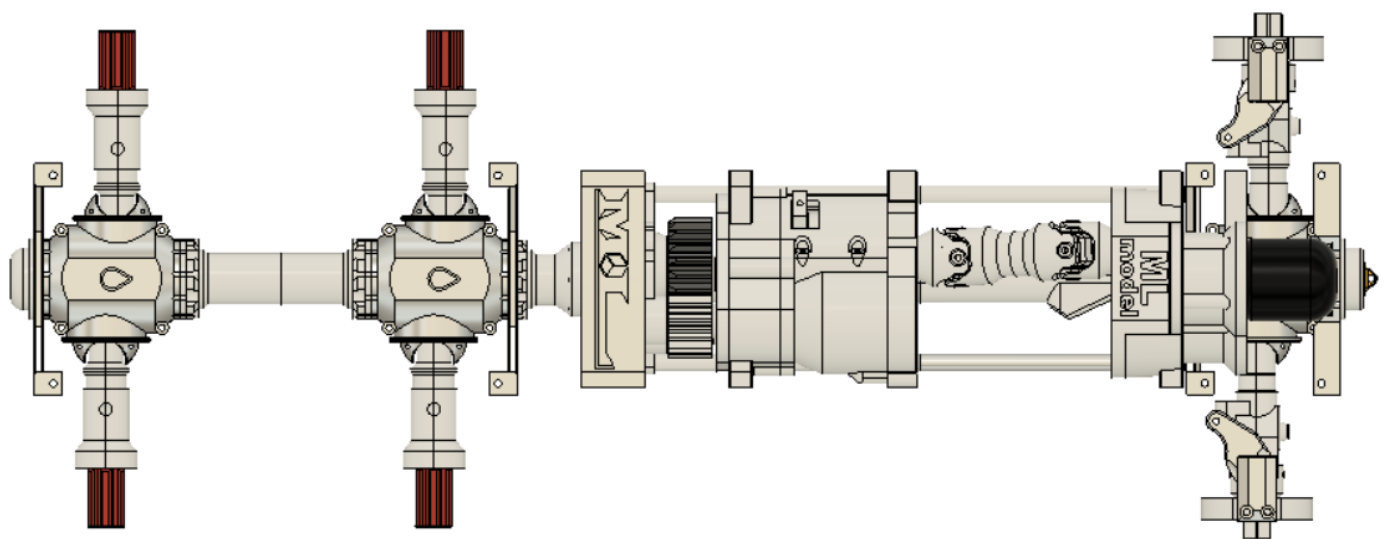
CentralPipe



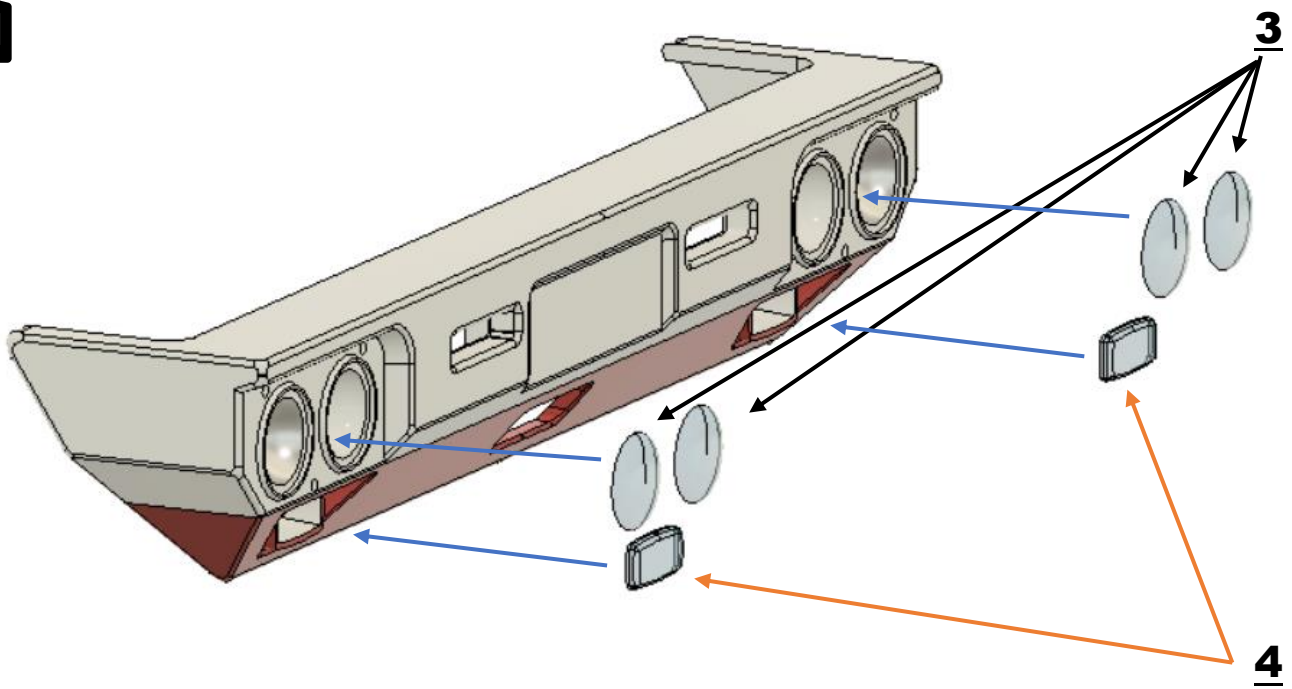
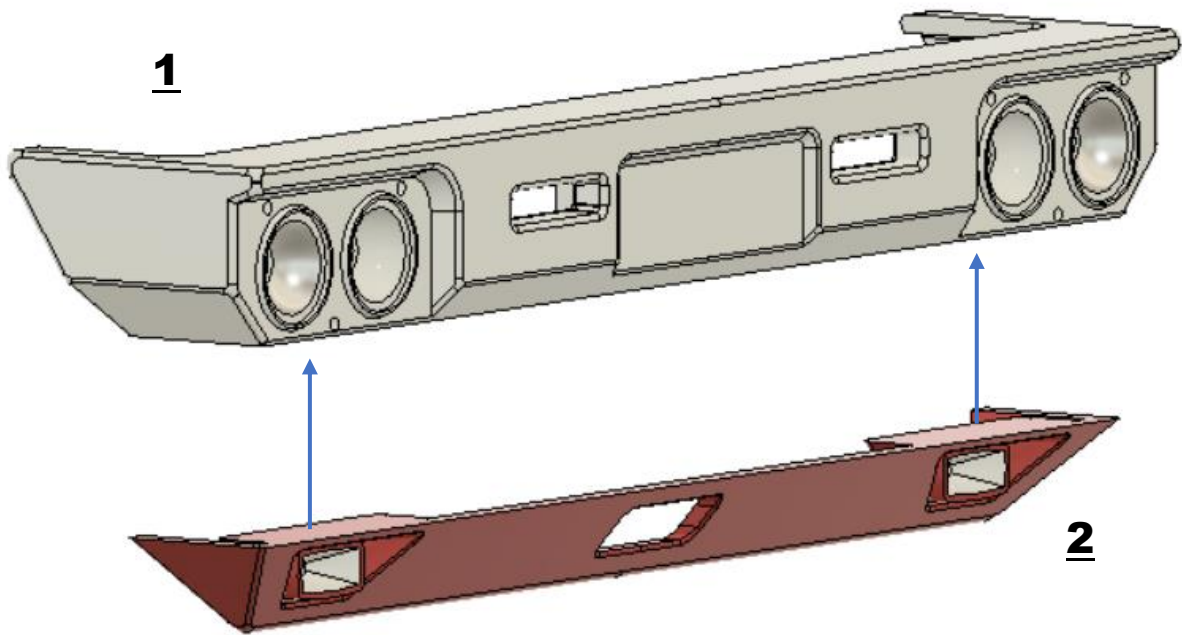
Make the pull rods.

**Threaded rod
M3+knuckles**

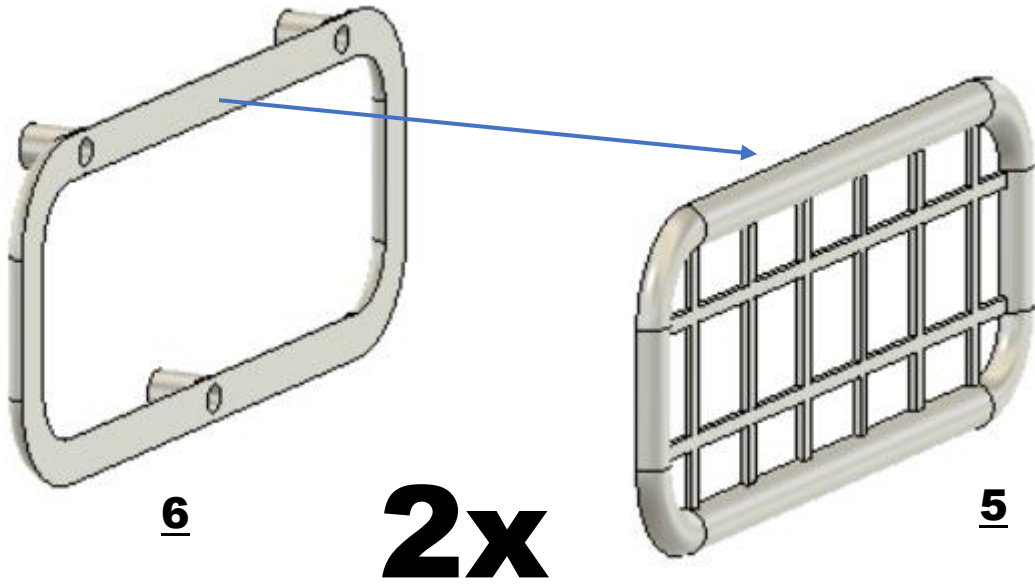
M3 screws



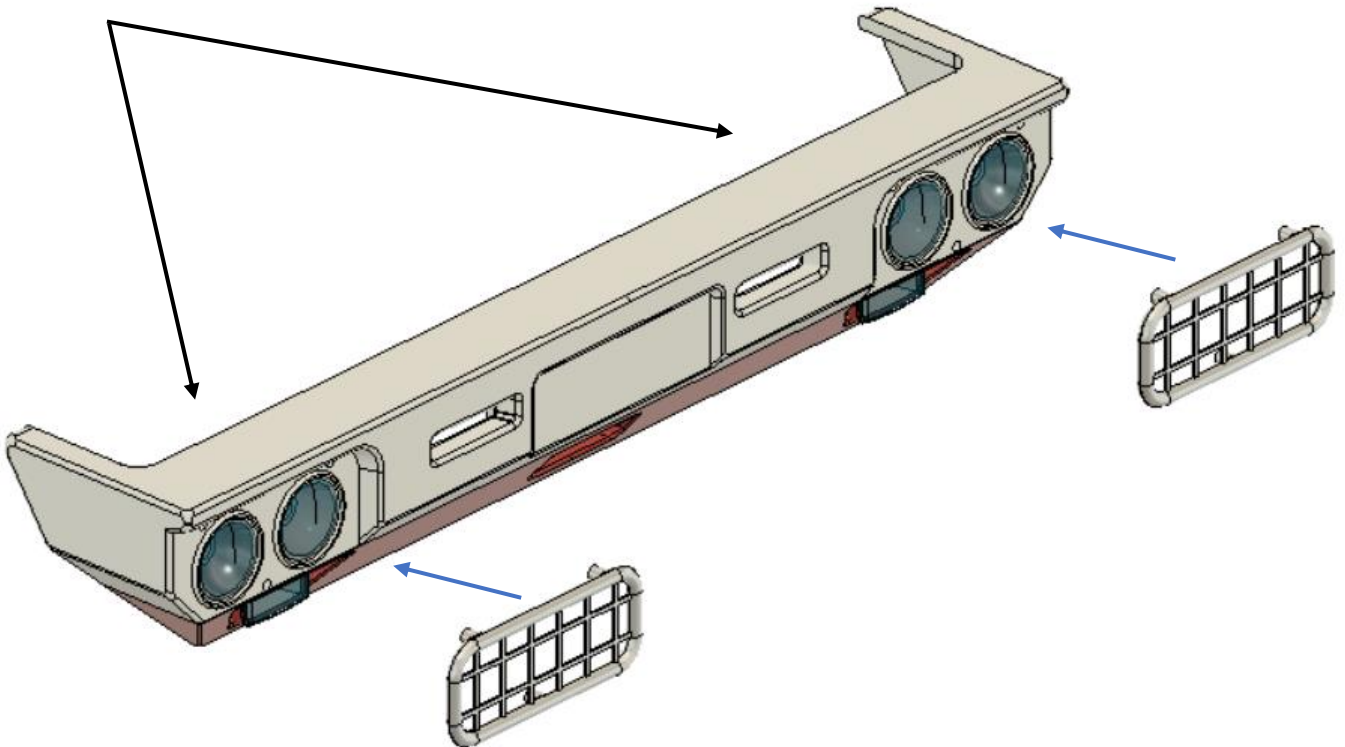
Chassis



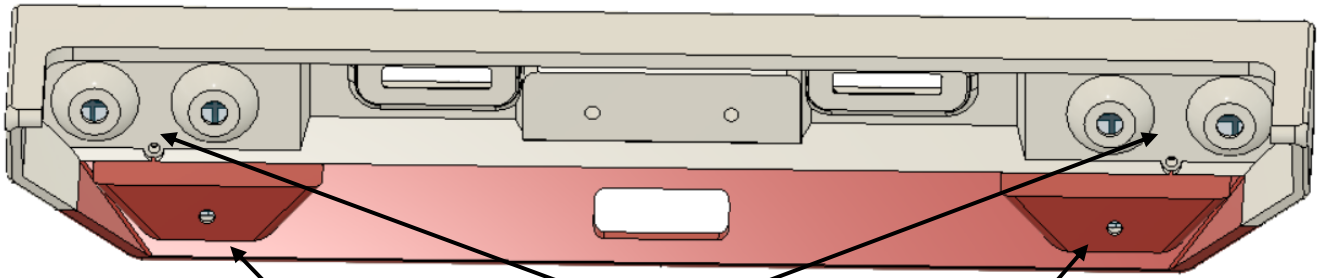
Chassis



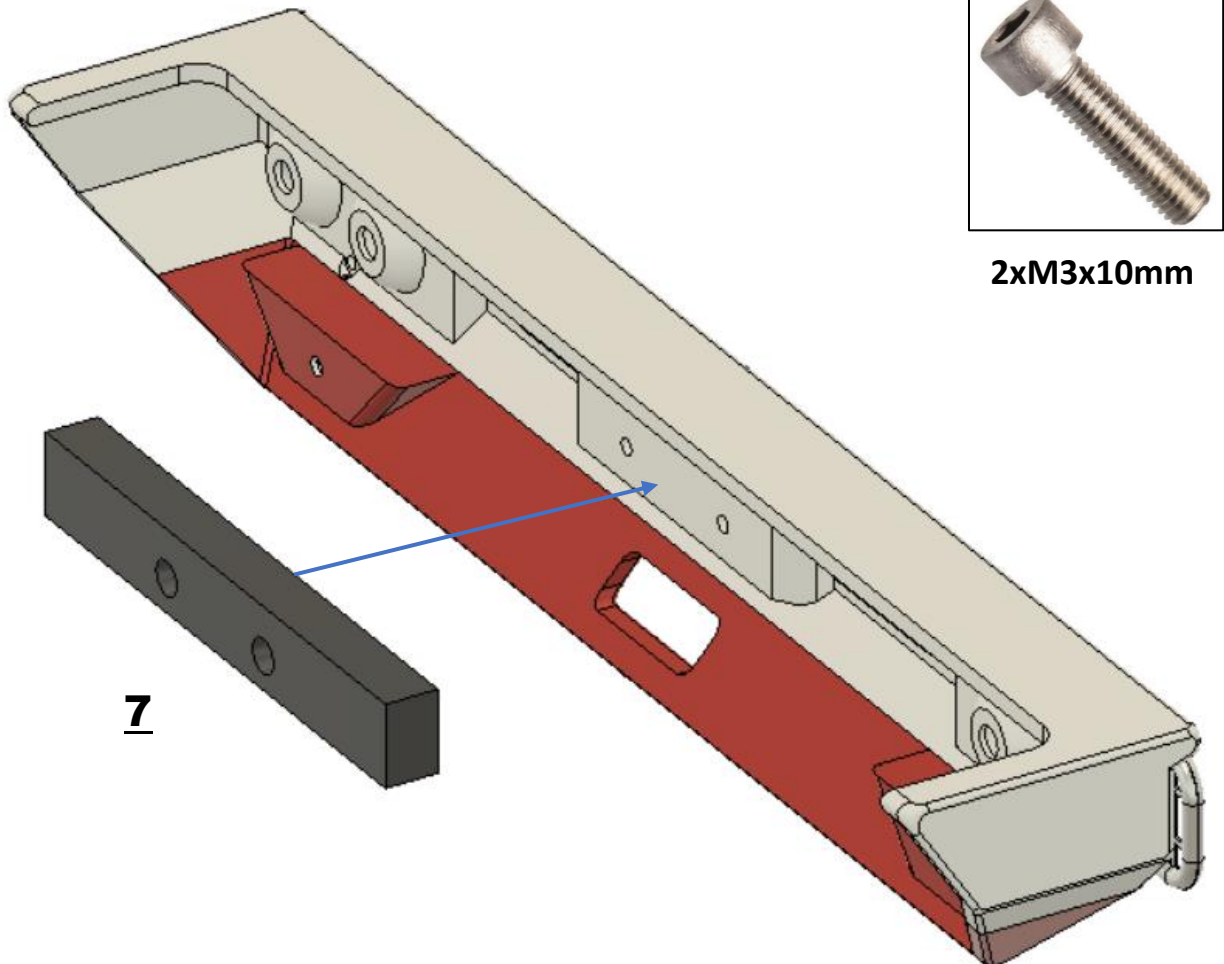
6xM2x6mm



Chassis



4x LED 5mm warm white
2x LED 3mm warm white



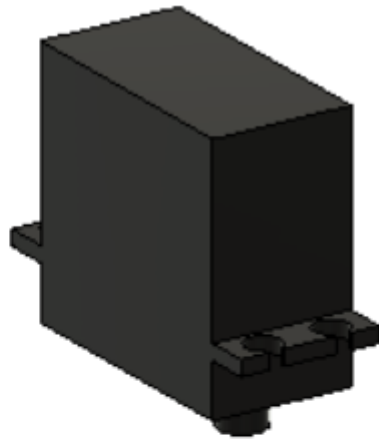
2xM3x10mm

7

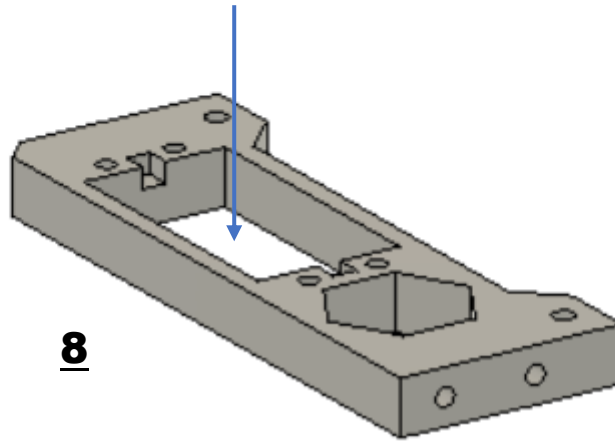
Chassis



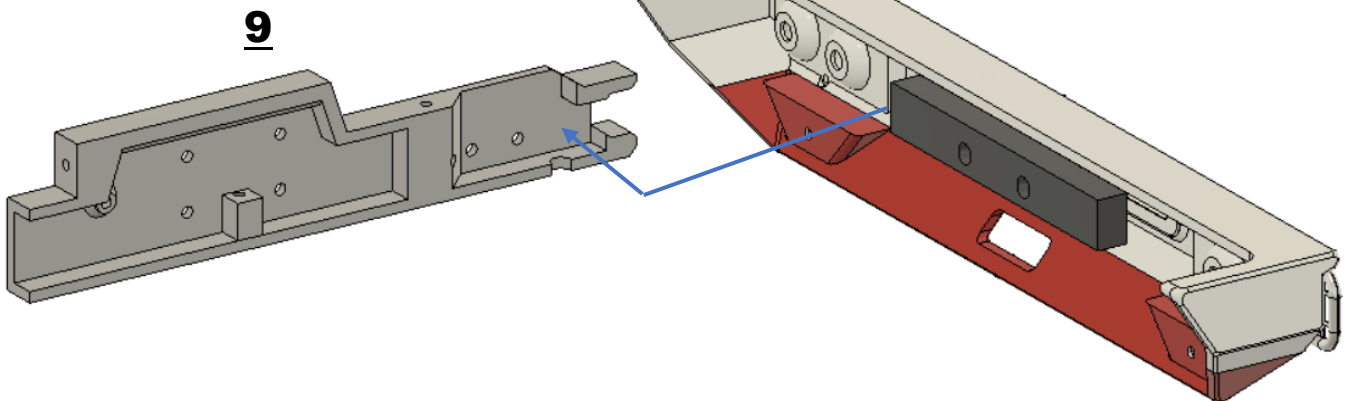
4xM3x10mm



Standart servo



8

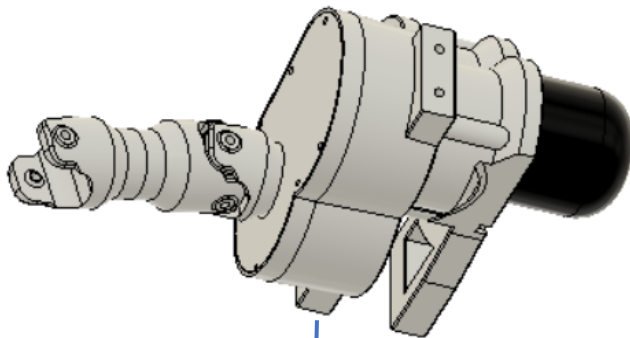
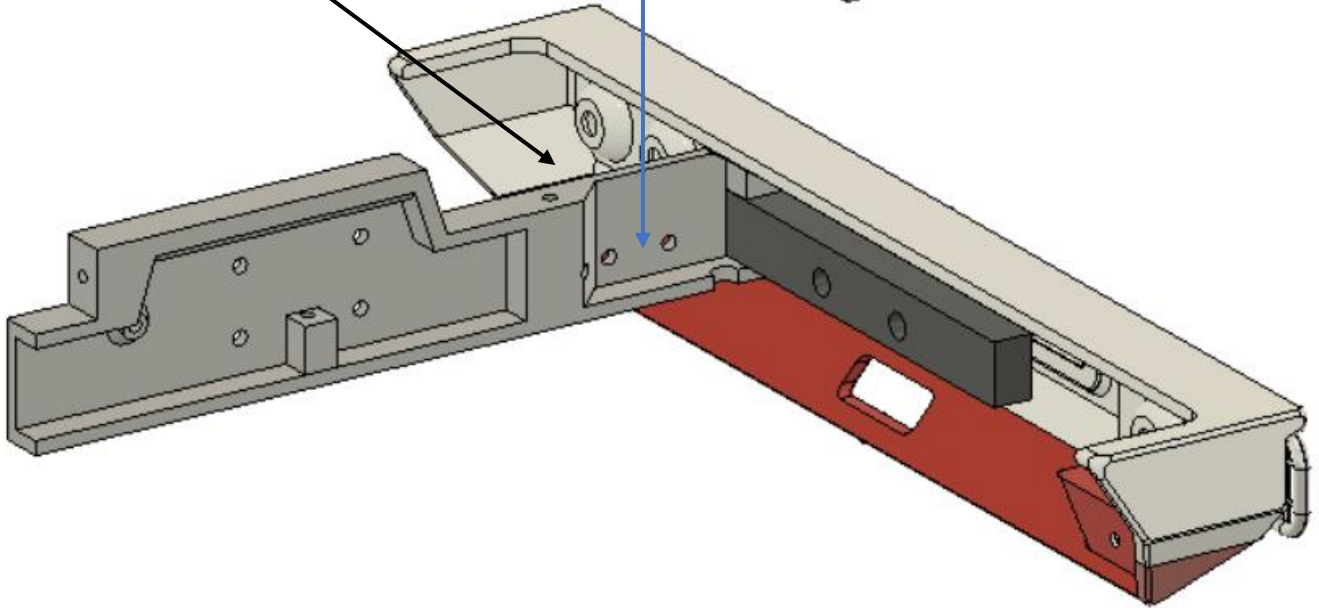
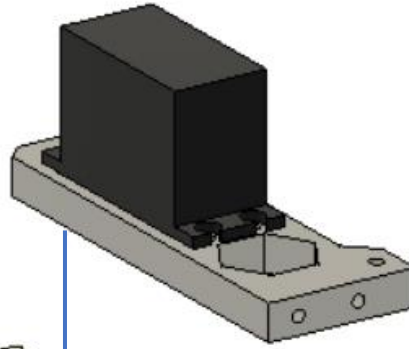


9

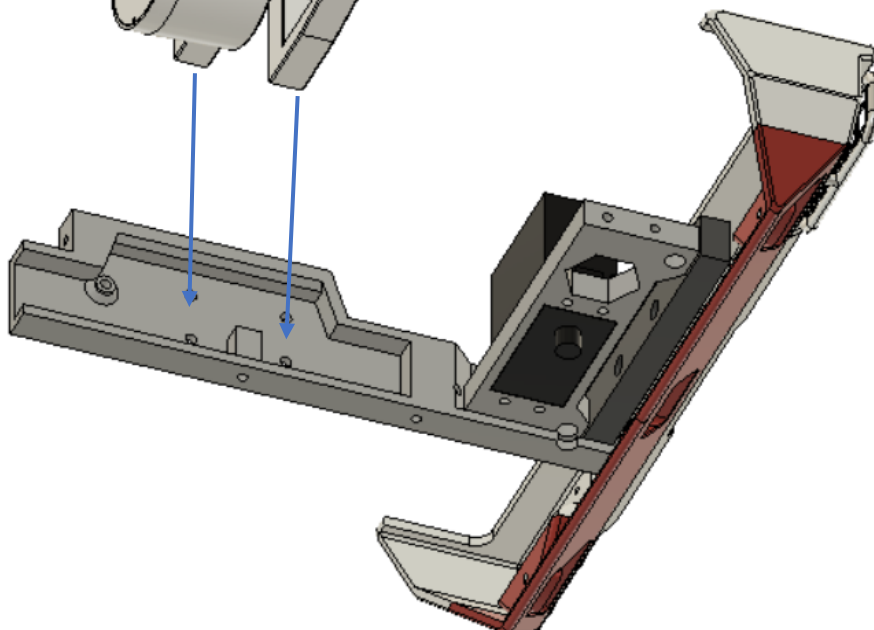
Chassis



2xM3x8mm



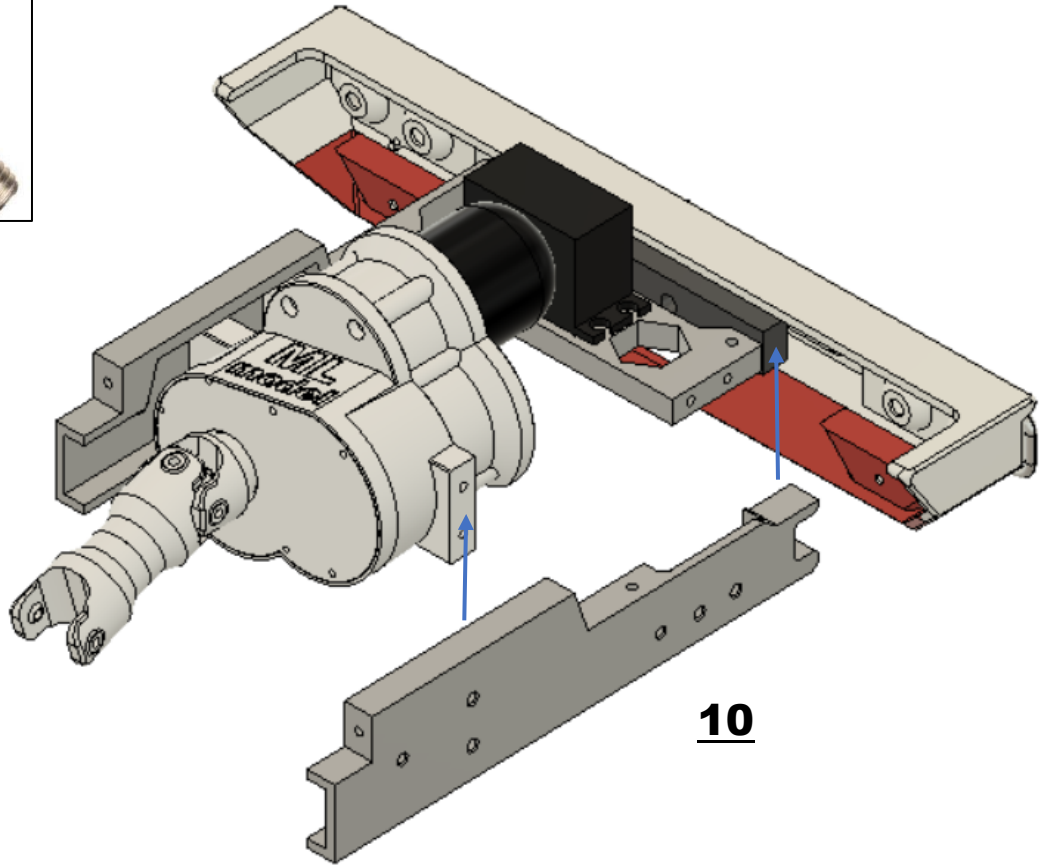
4xM3x8mm



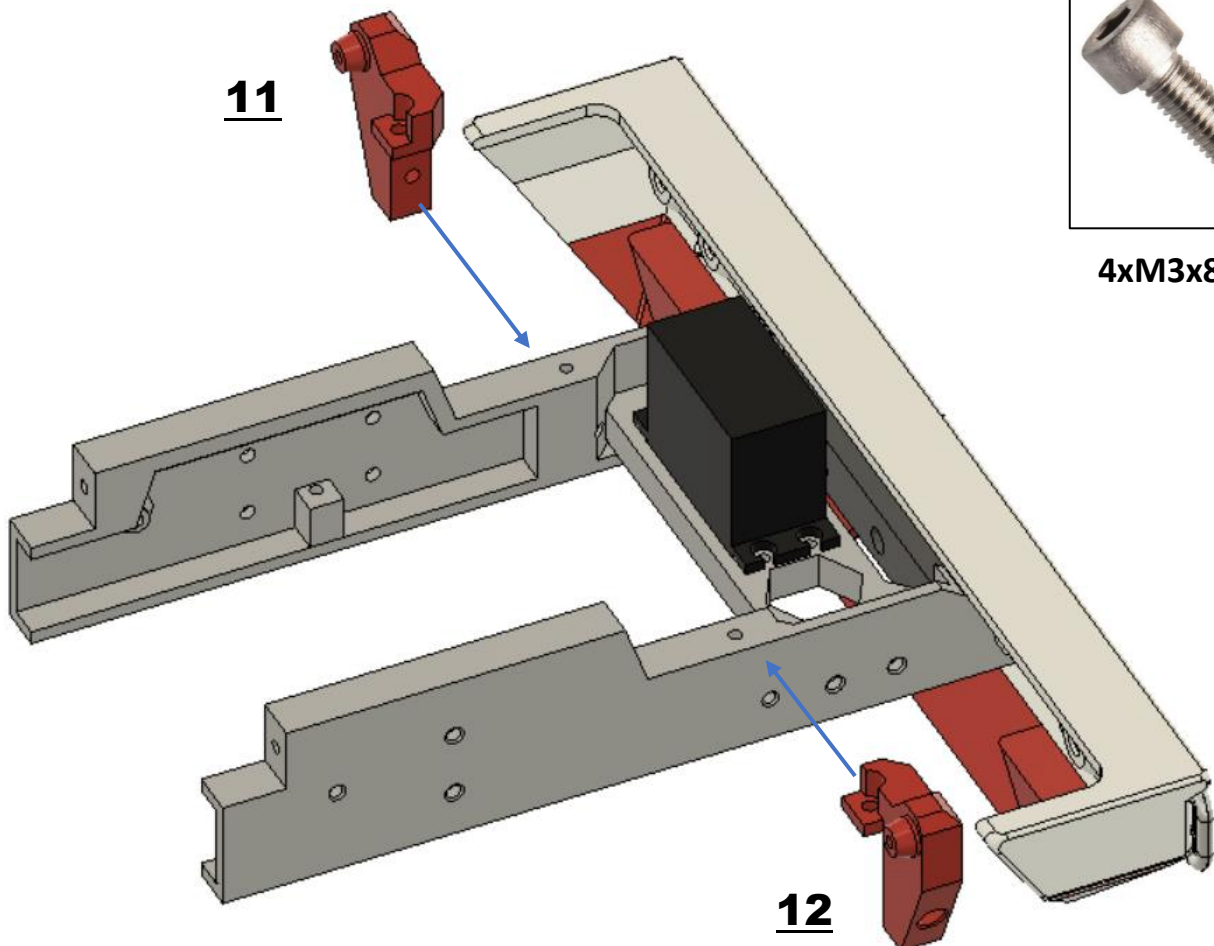
Chassis



4xM3x8mm



10



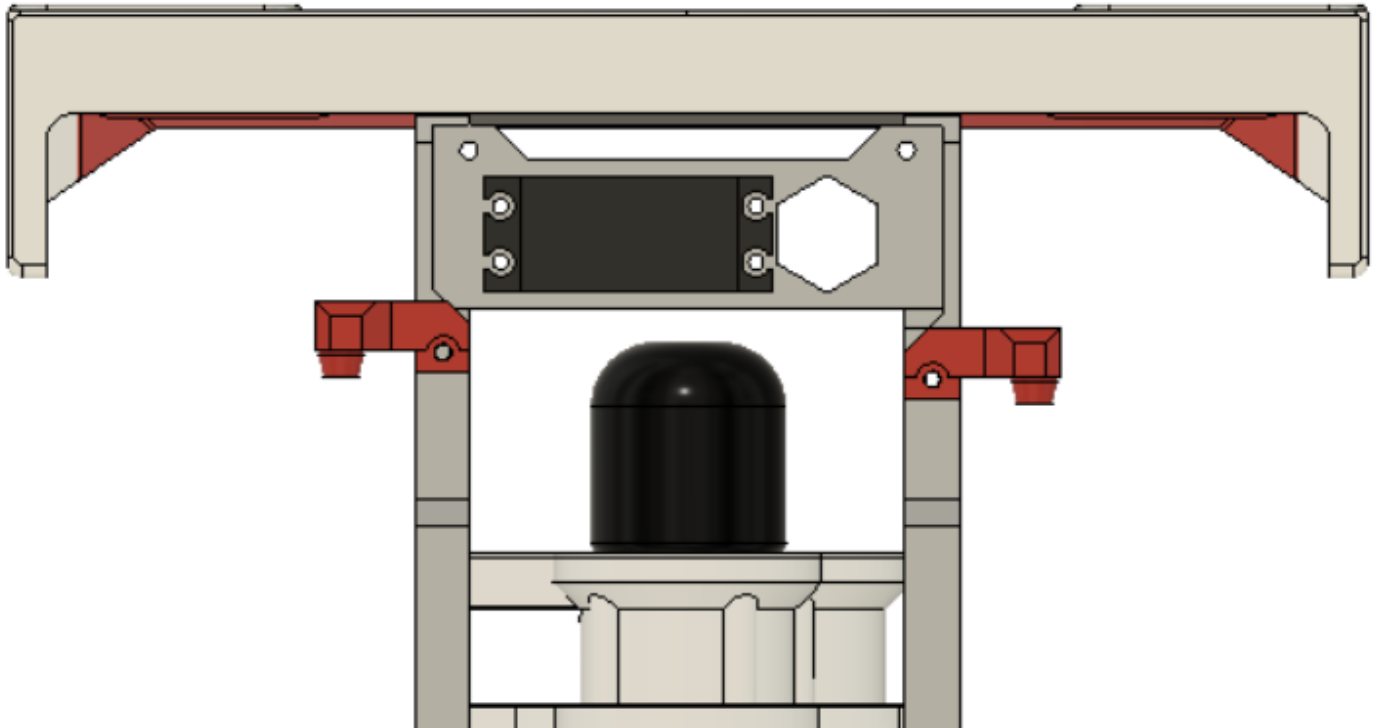
11



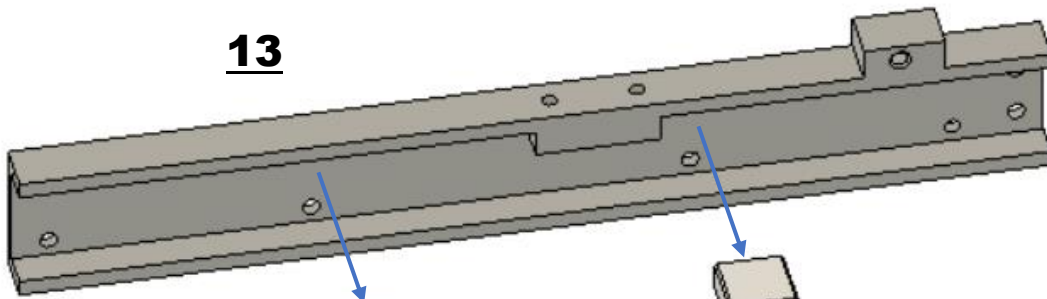
4xM3x8mm

12

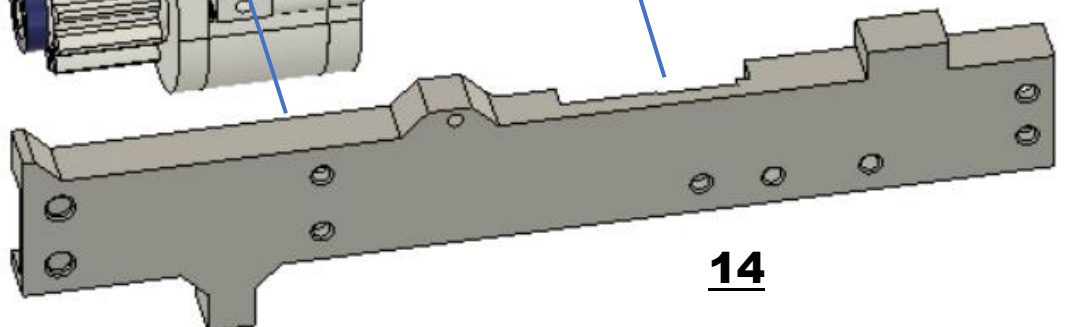
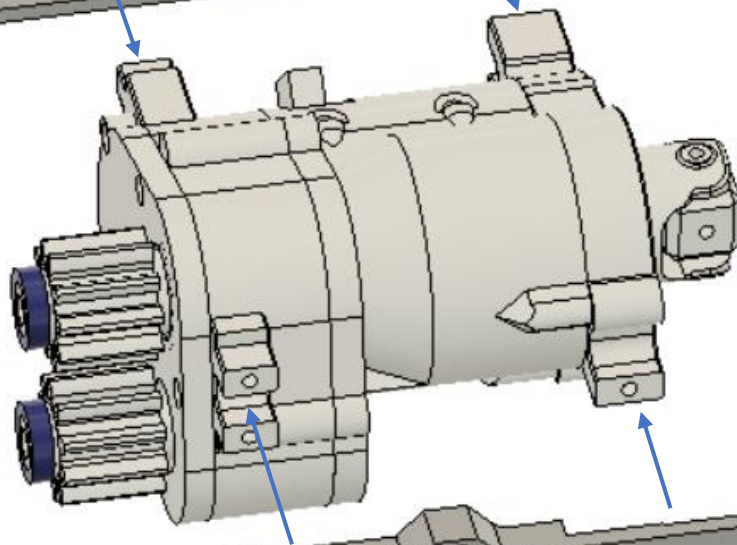
Chassis



13



7xM3x8mm

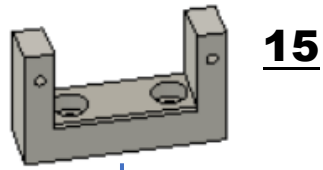


14

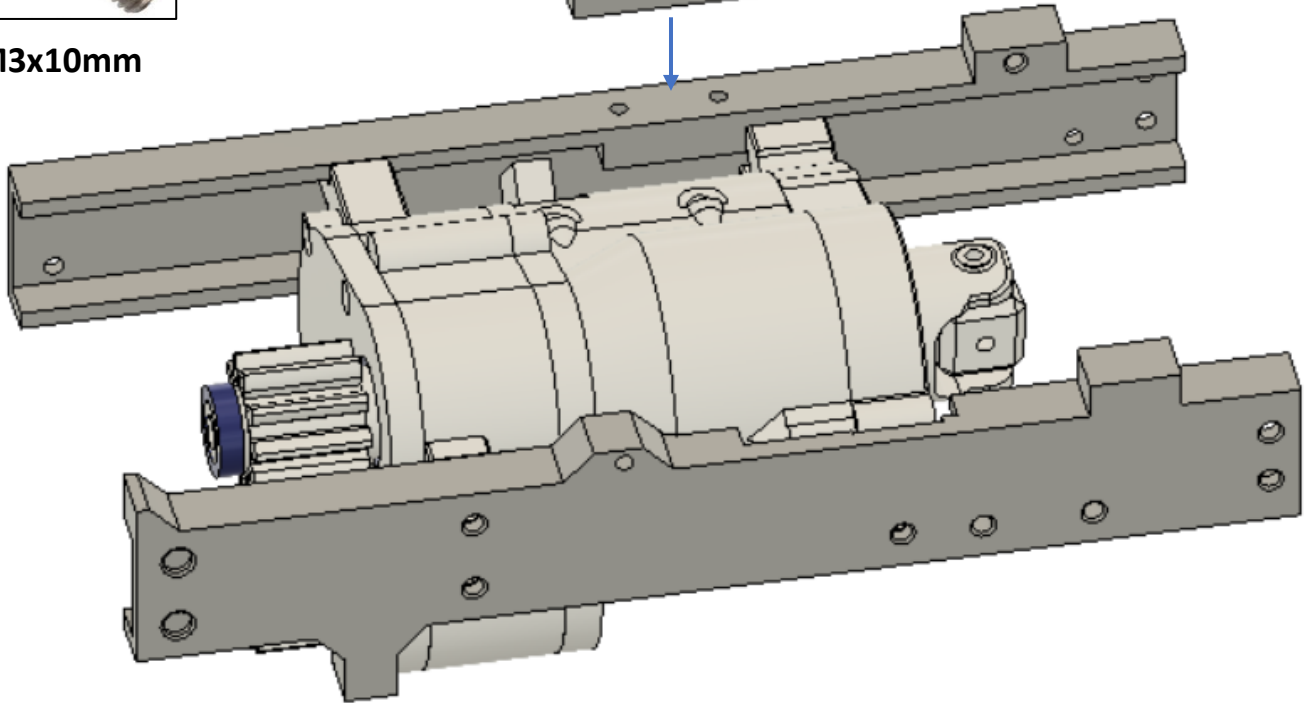
Chassis



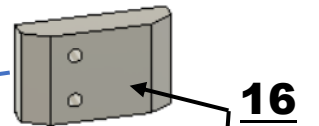
2xM3x10mm



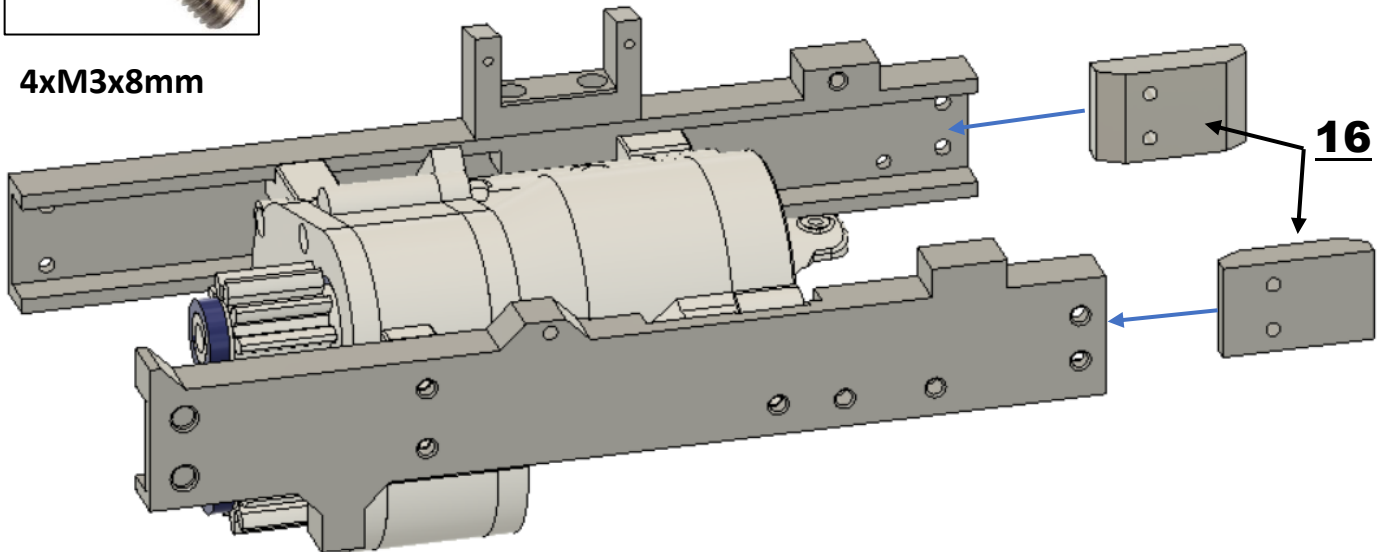
15



4xM3x8mm

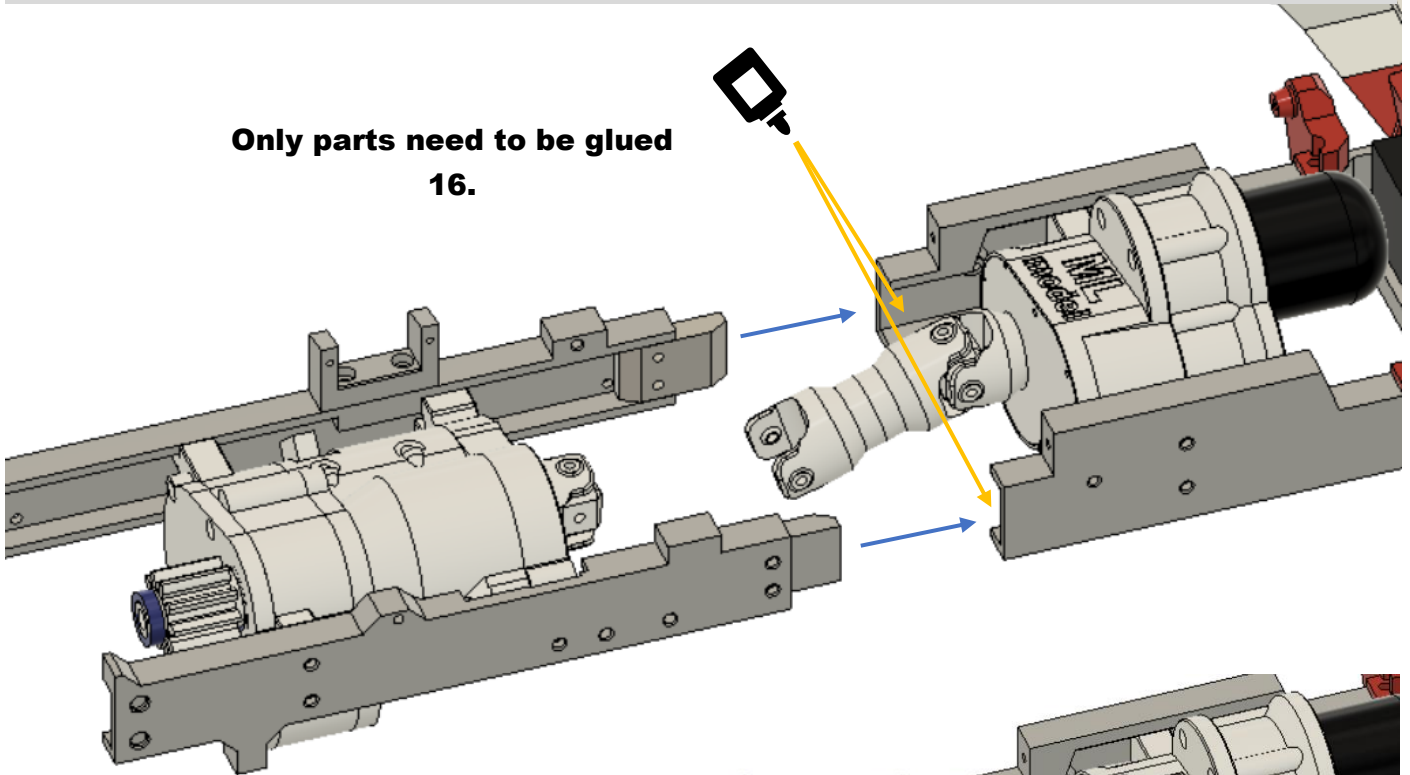


16

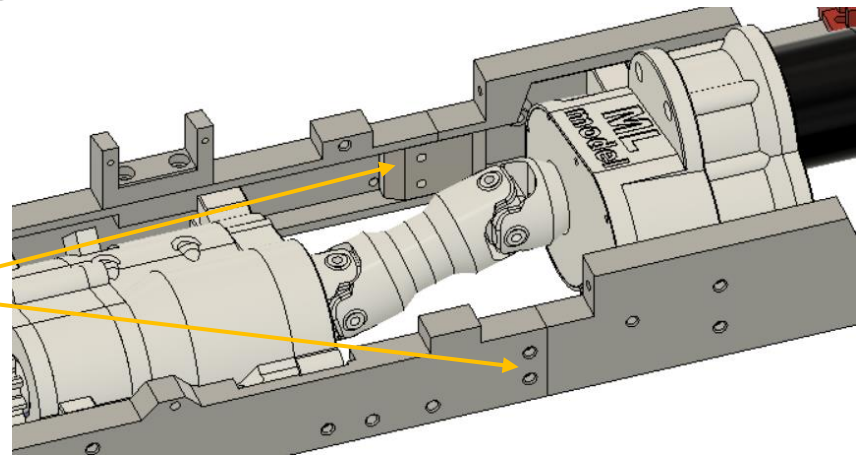


Chassis

Only parts need to be glued
16.

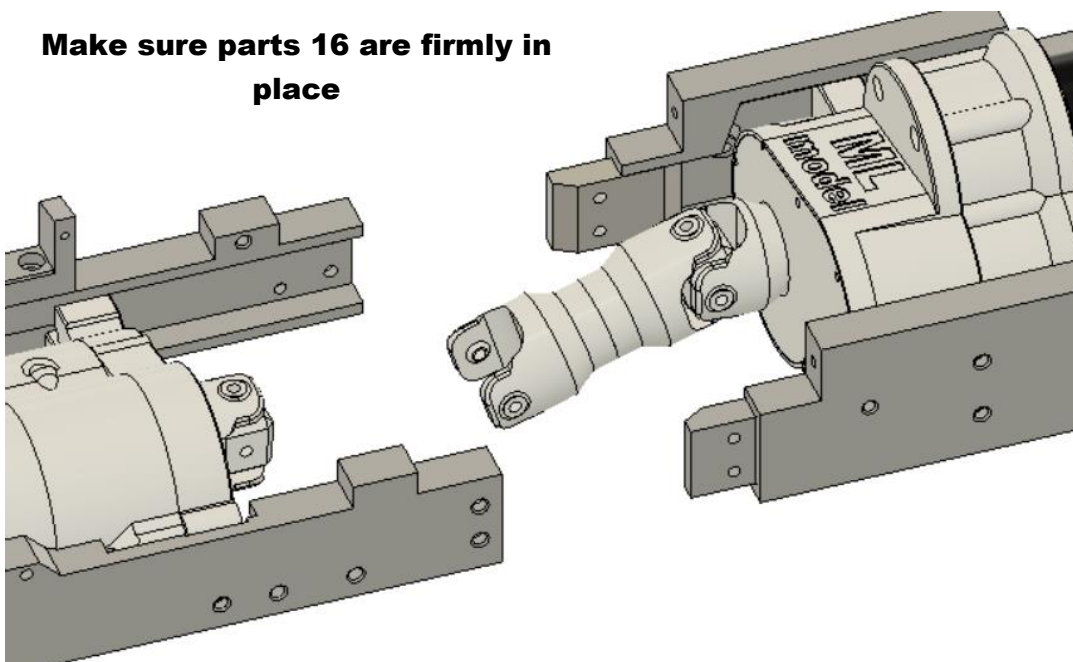


Unscrew the 4 screws

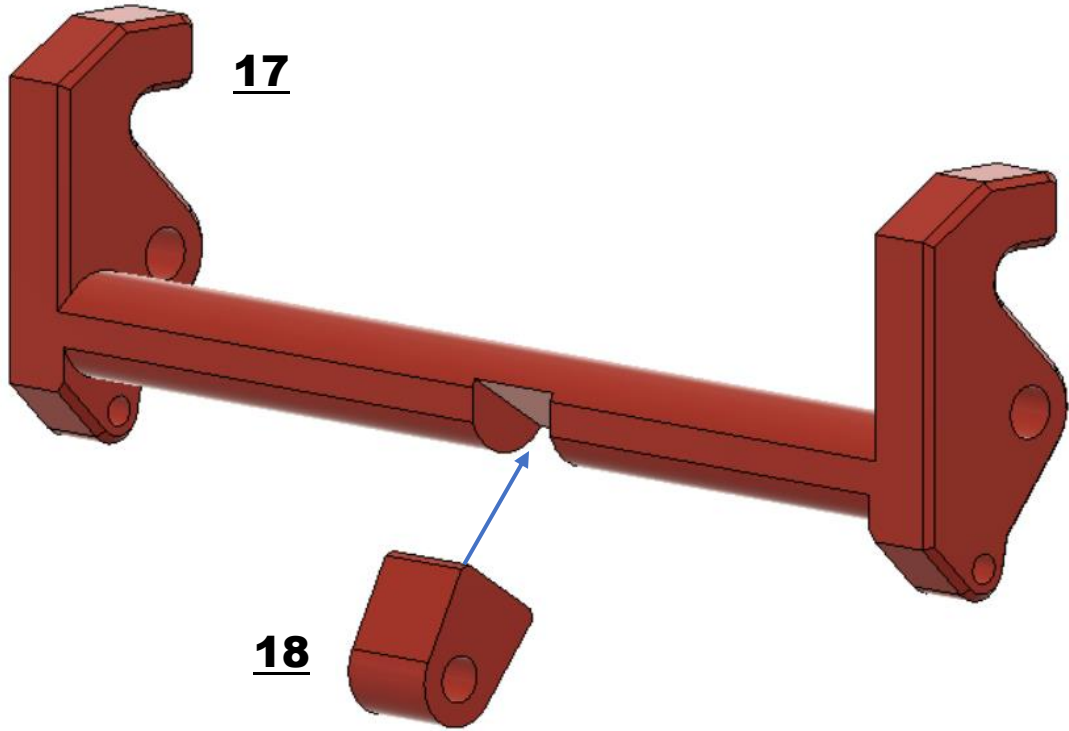


And share.

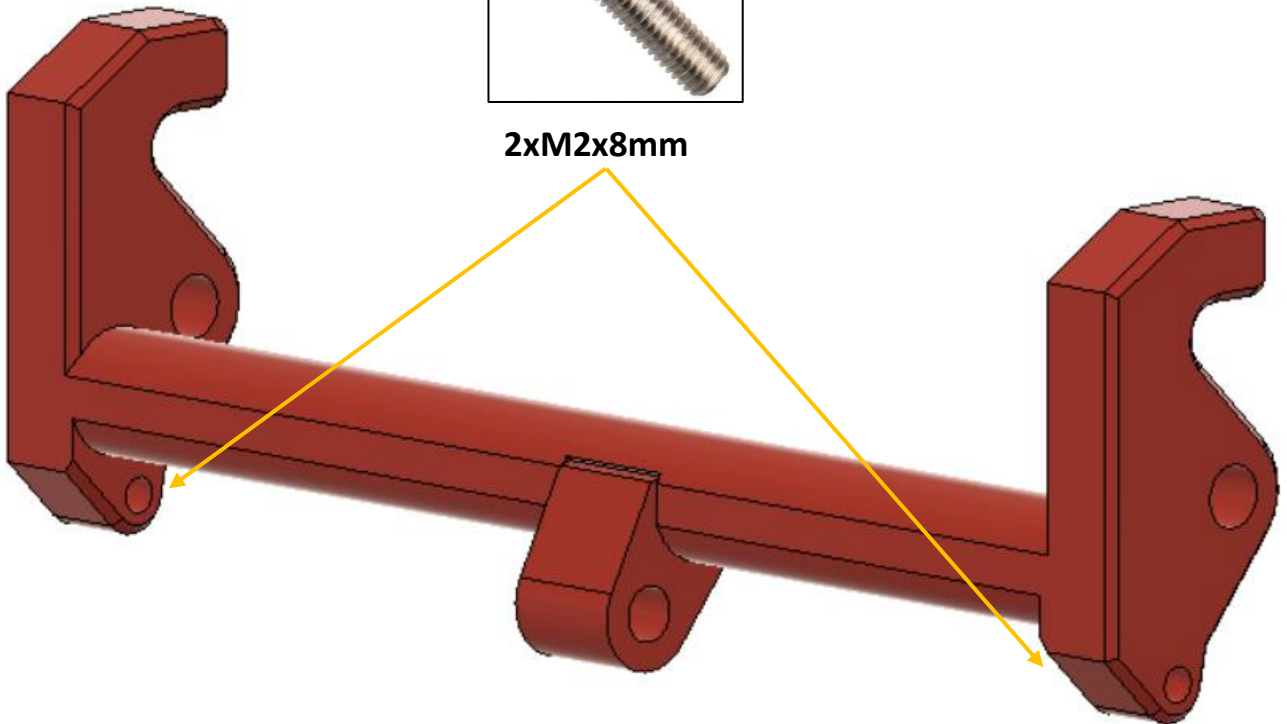
Make sure parts 16 are firmly in
place



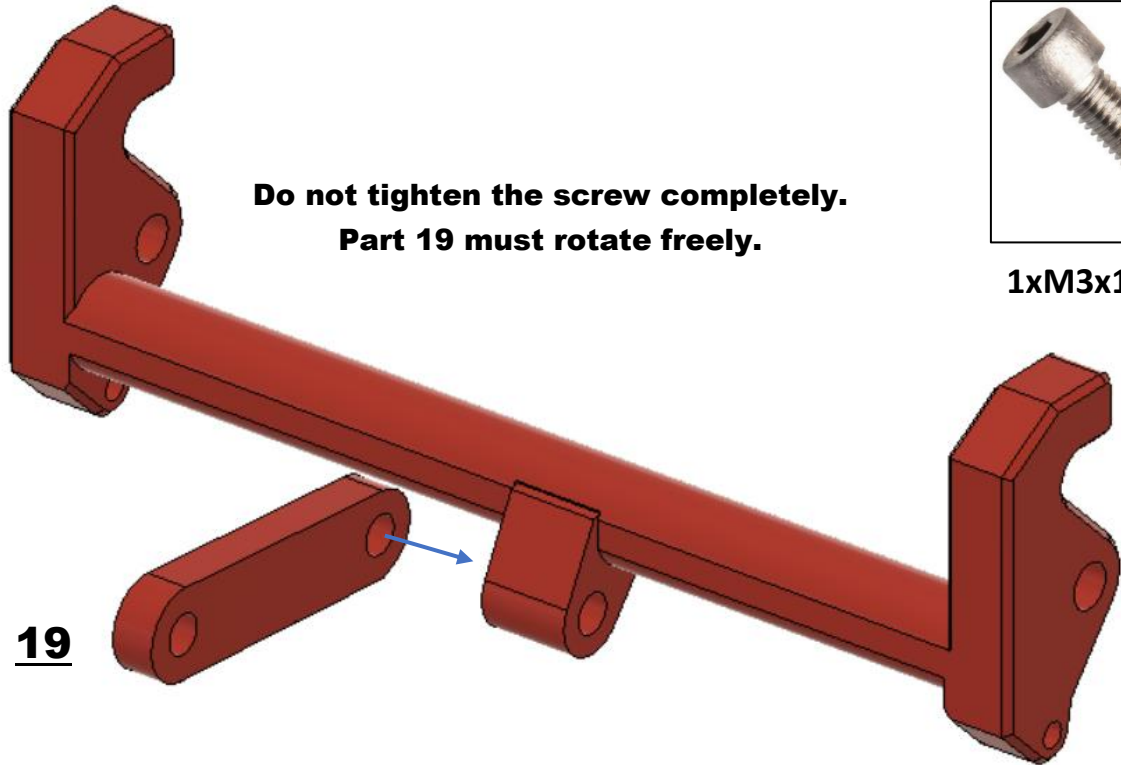
Chassis



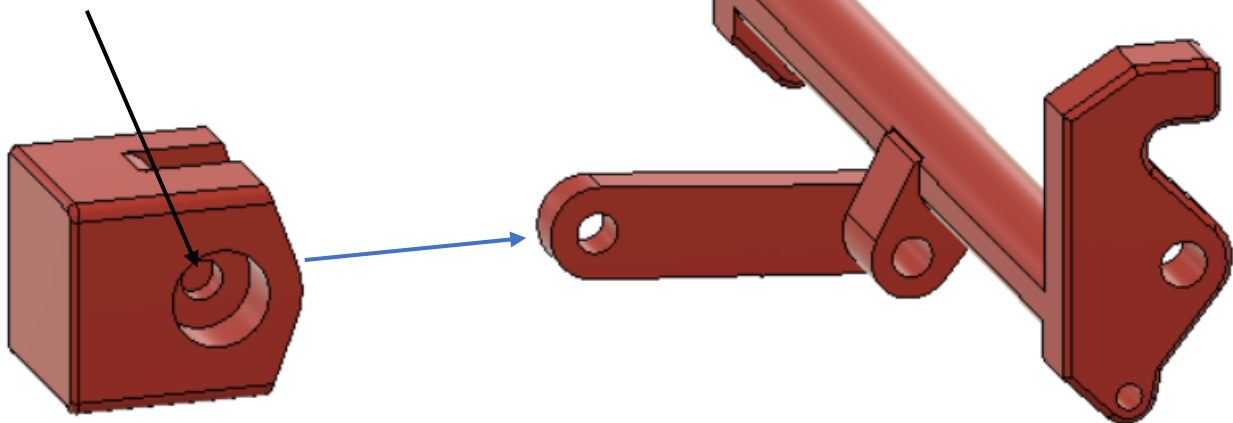
2xM2x8mm



Chassis



1xM3x10mm



20

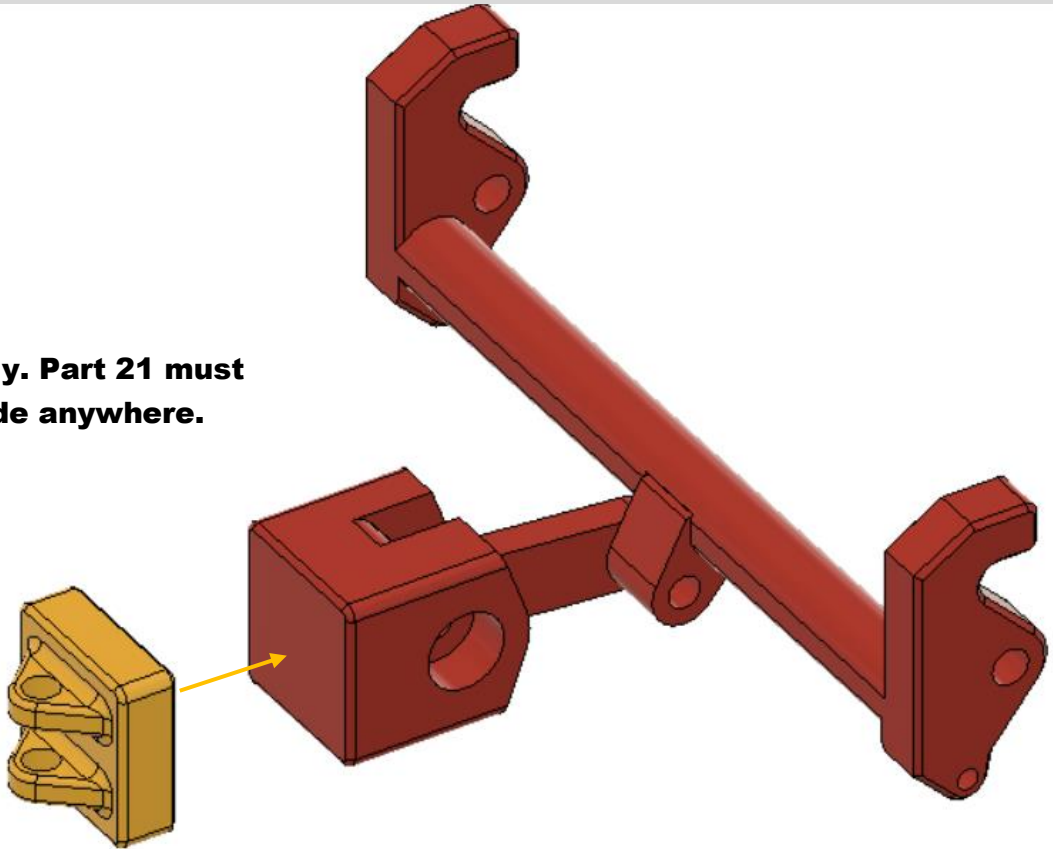
Do not tighten the screw completely.
Part 20 must rotate freely.

Chassis

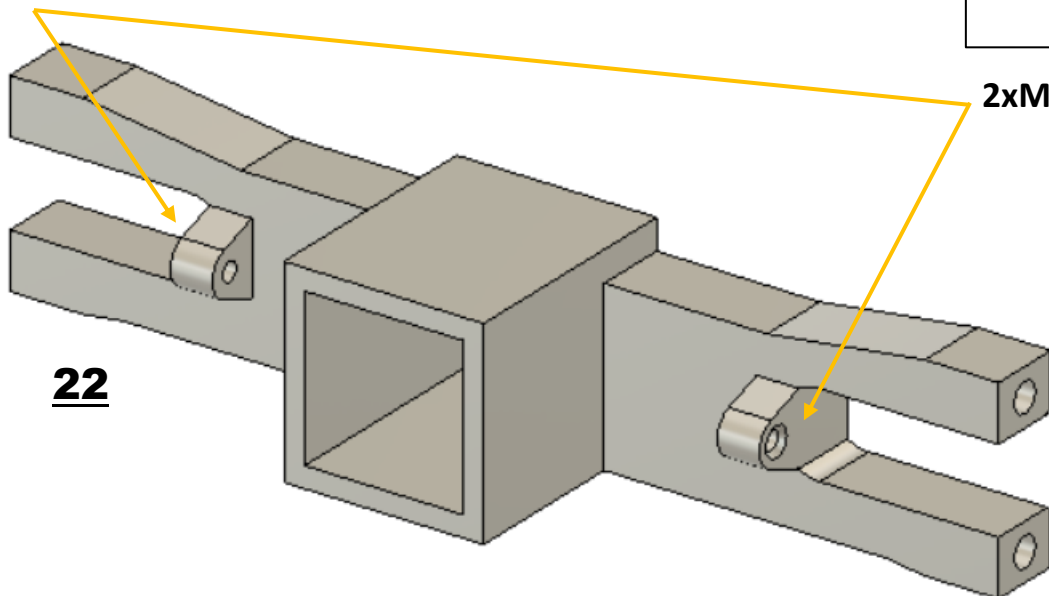


Glue precisely. Part 21 must not protrude anywhere.

21



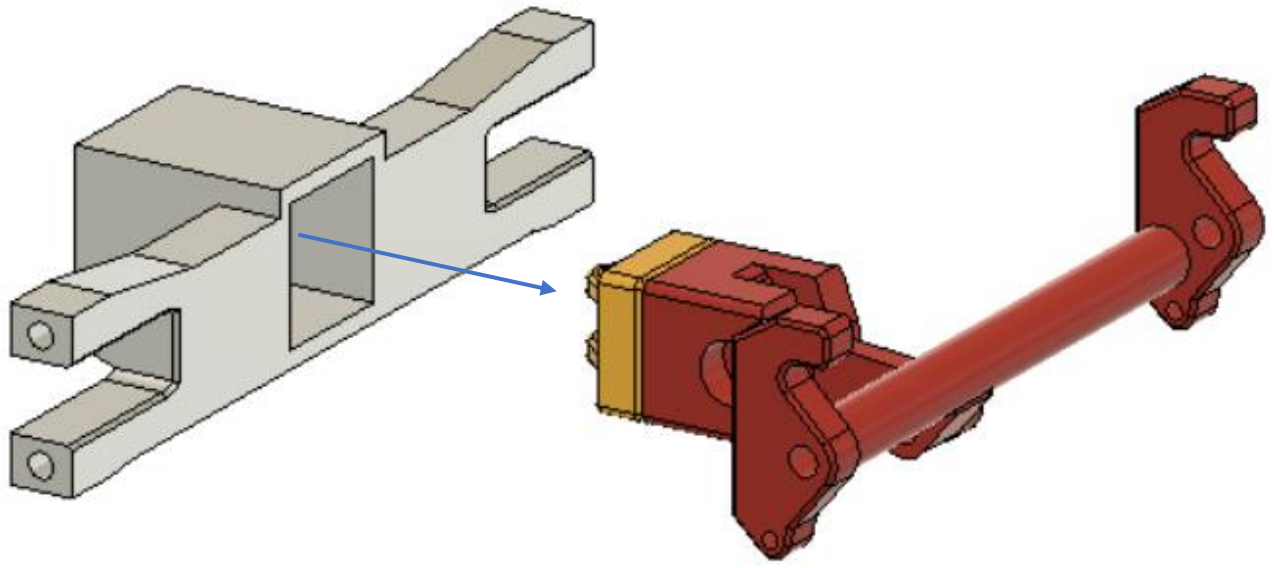
2xM2x8mm



22

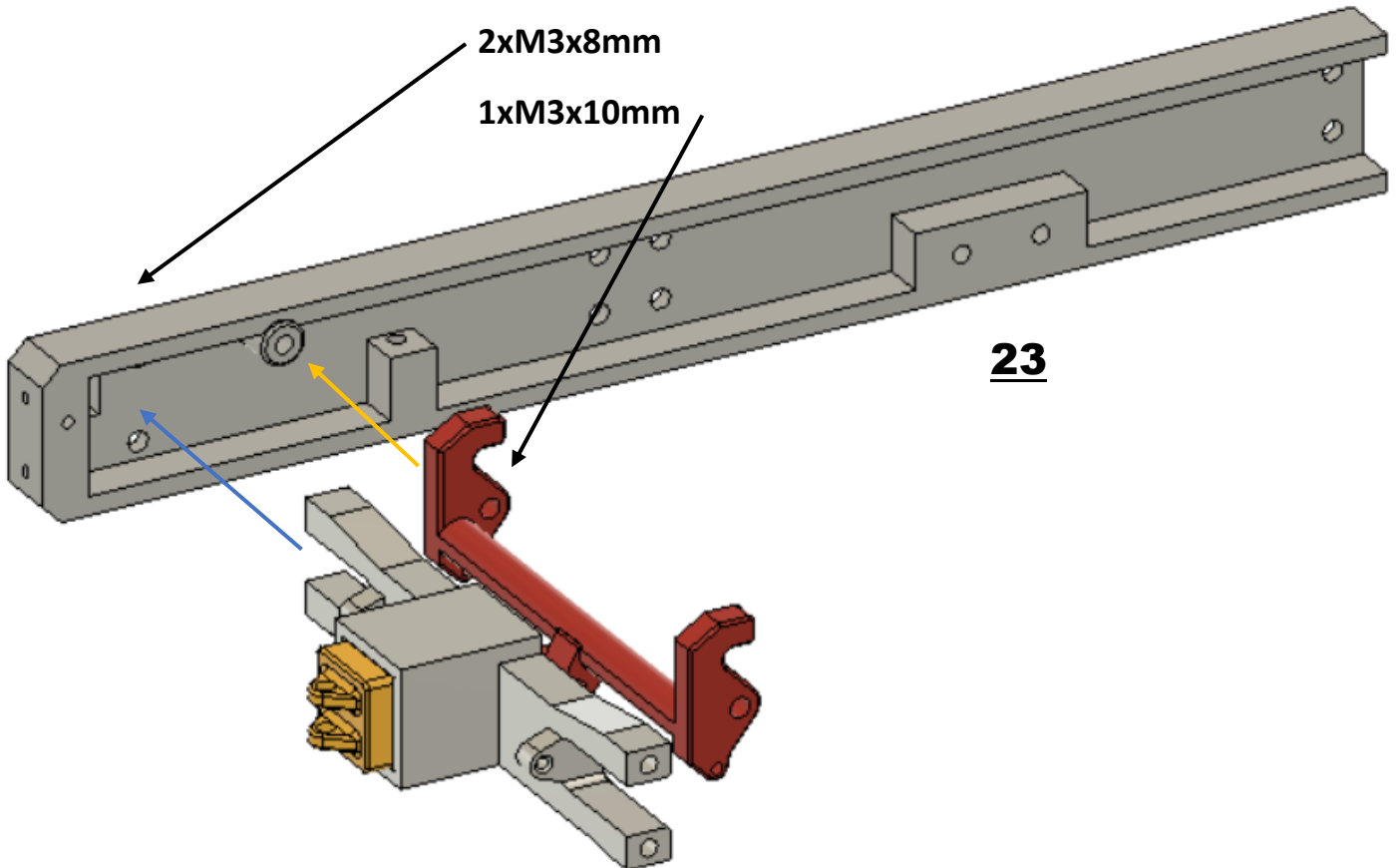
Only screw in the screws 4-5mm

Chassis



2xM3x8mm

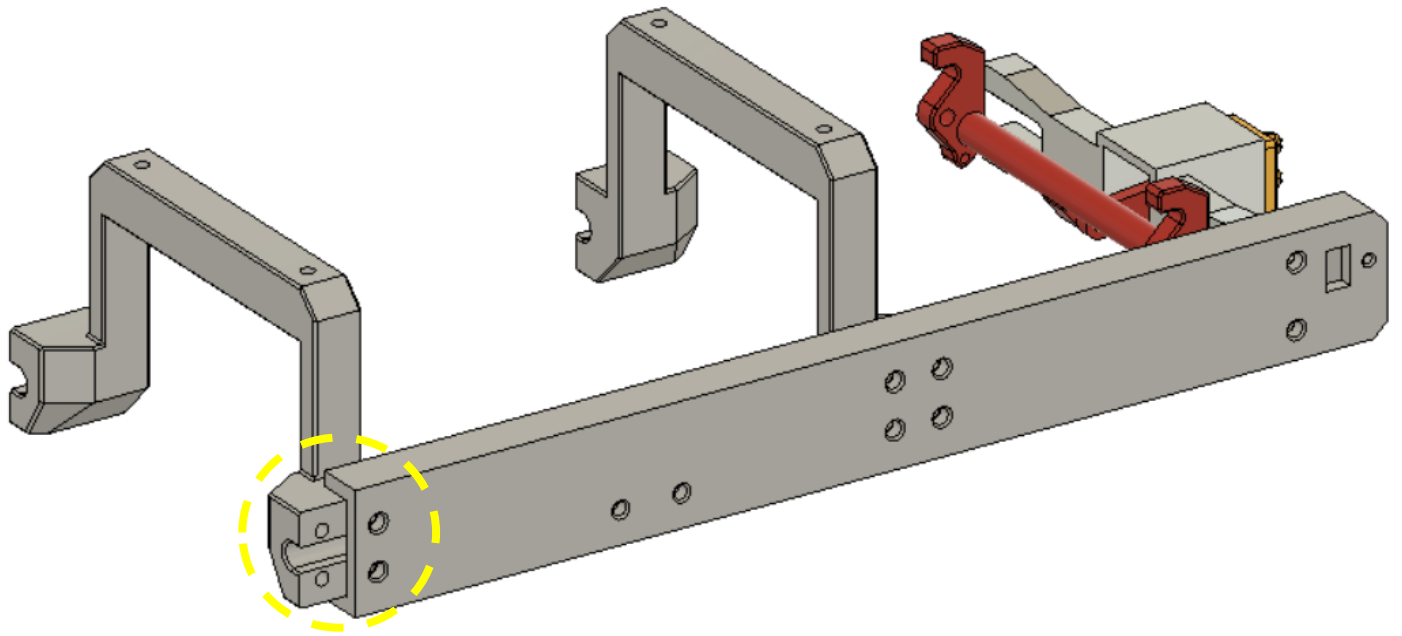
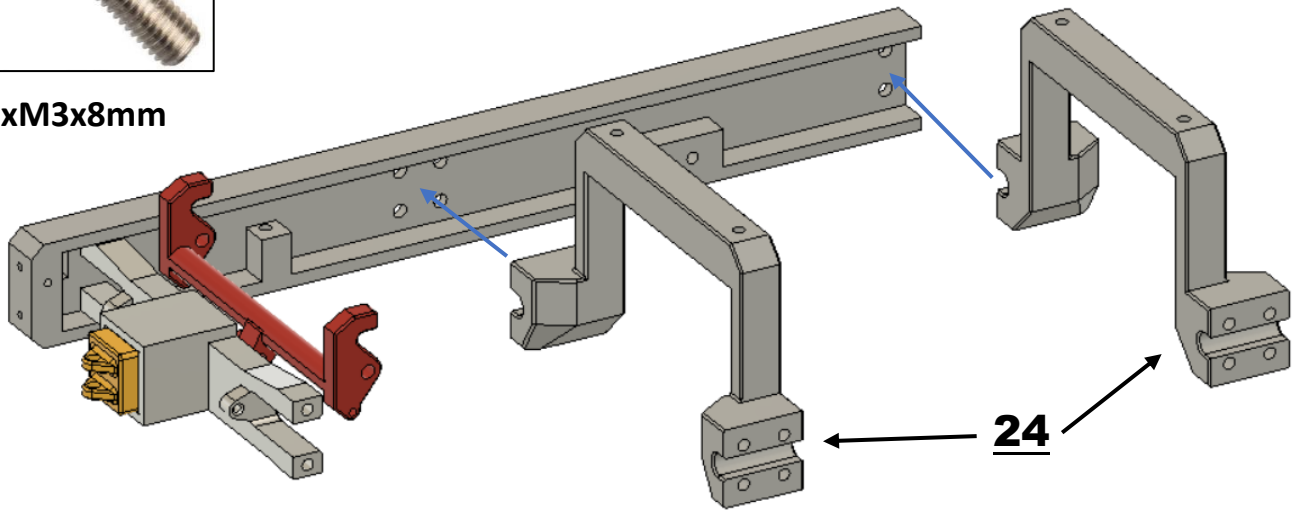
1xM3x10mm



Chassis



6xM3x8mm

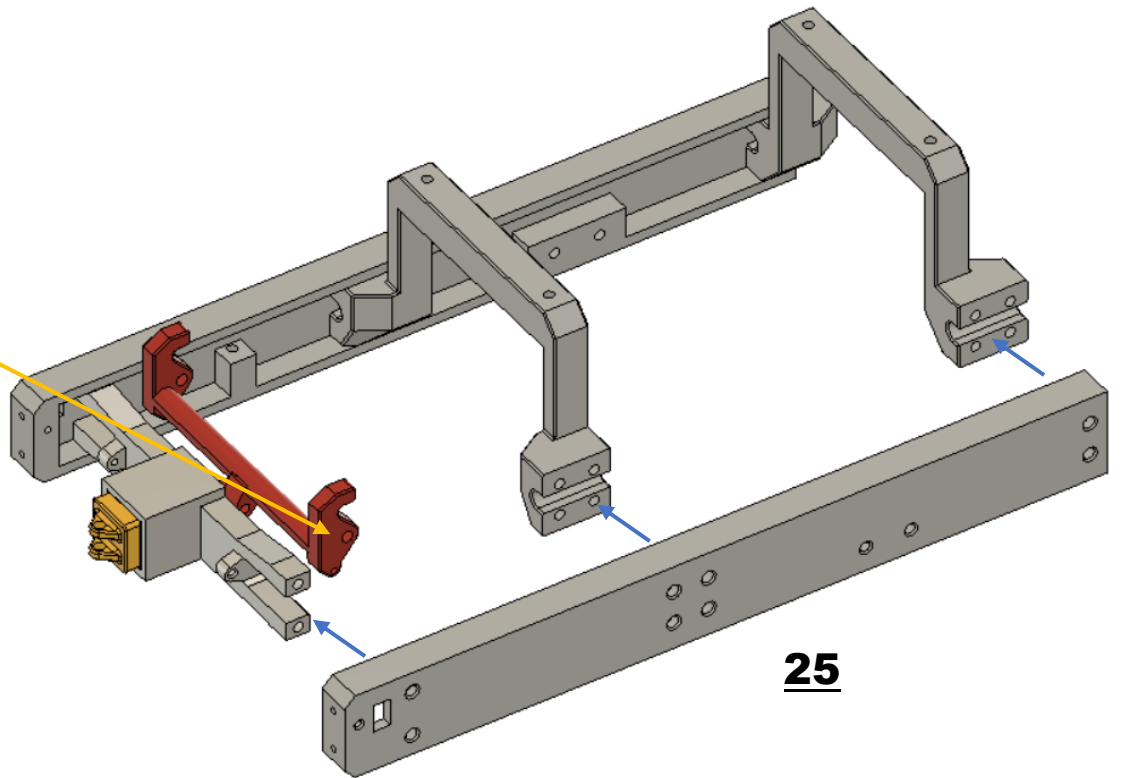


Chassis



8xM3x8mm

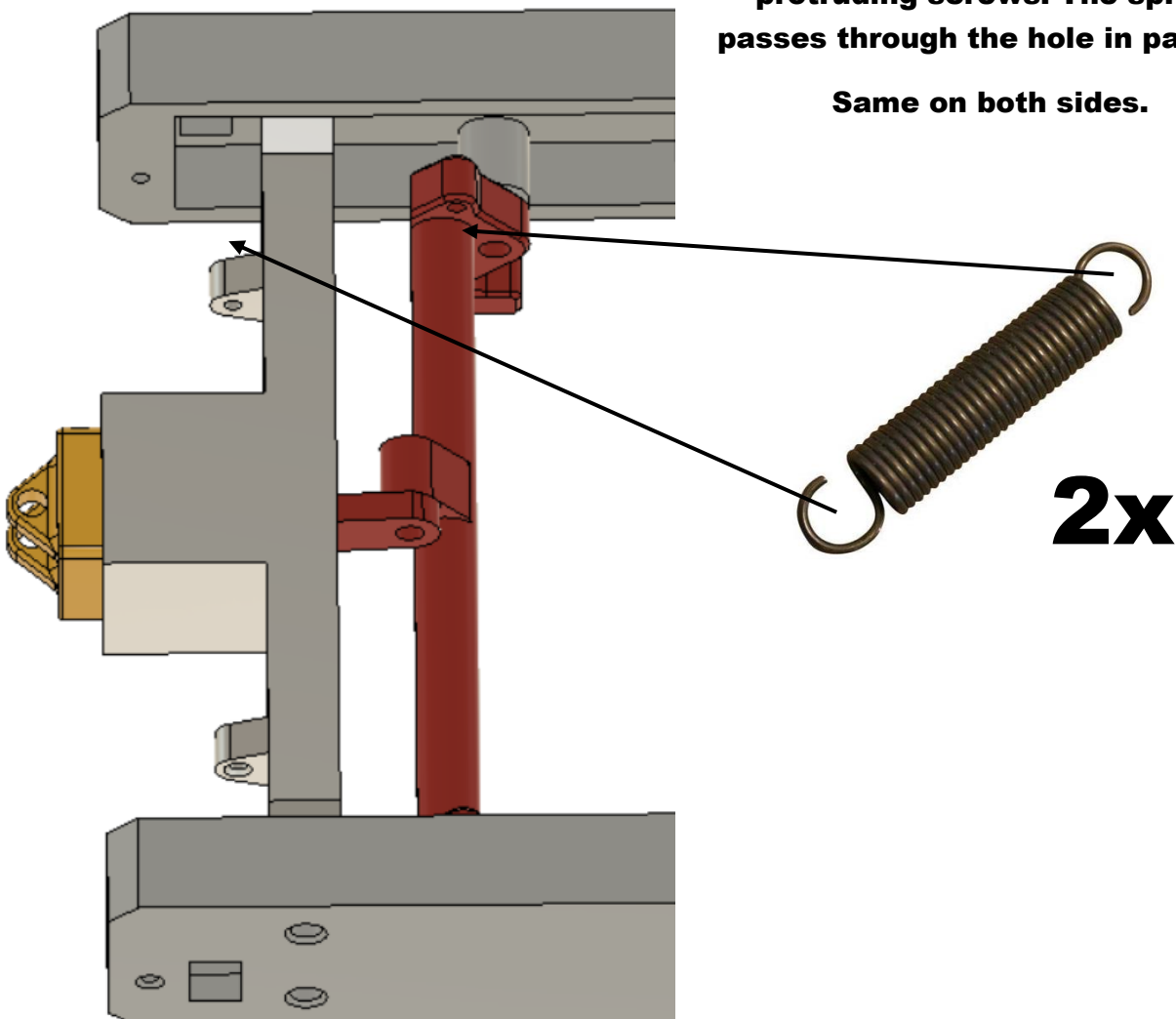
1xM3x10mm



25

Place the tension spring on the protruding screws. The spring passes through the hole in part 22.

Same on both sides.

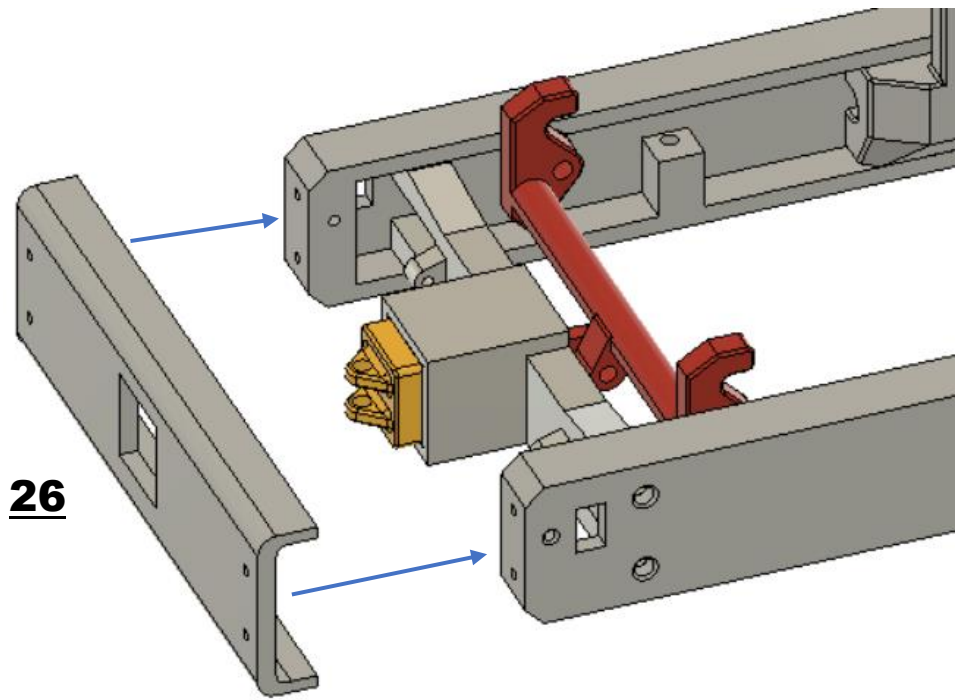


2x

Chassis



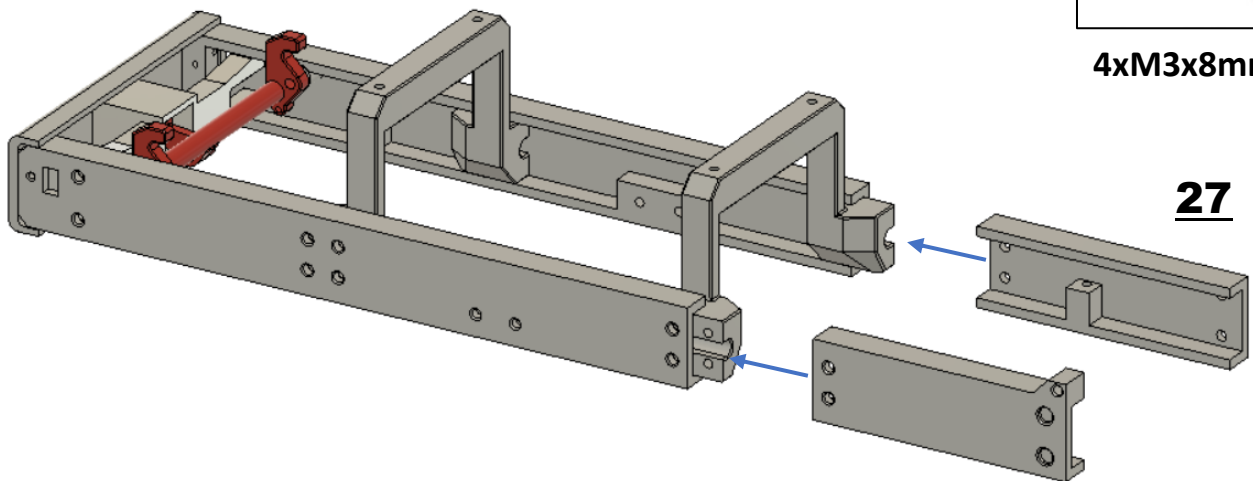
4xM2x8mm



26



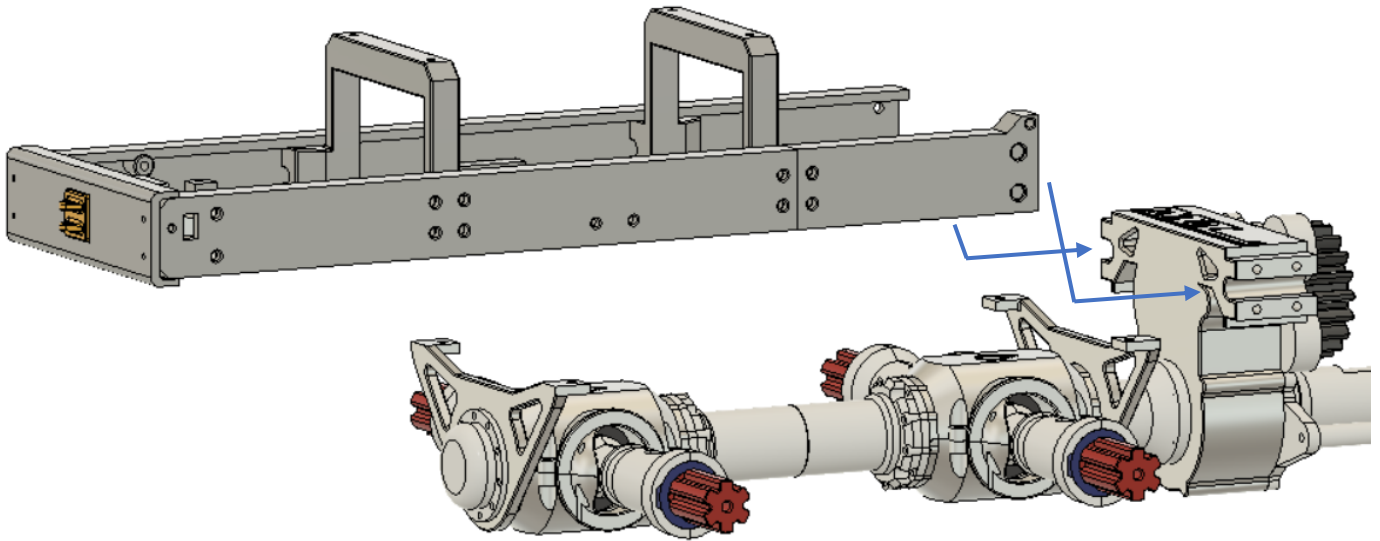
4xM3x8mm



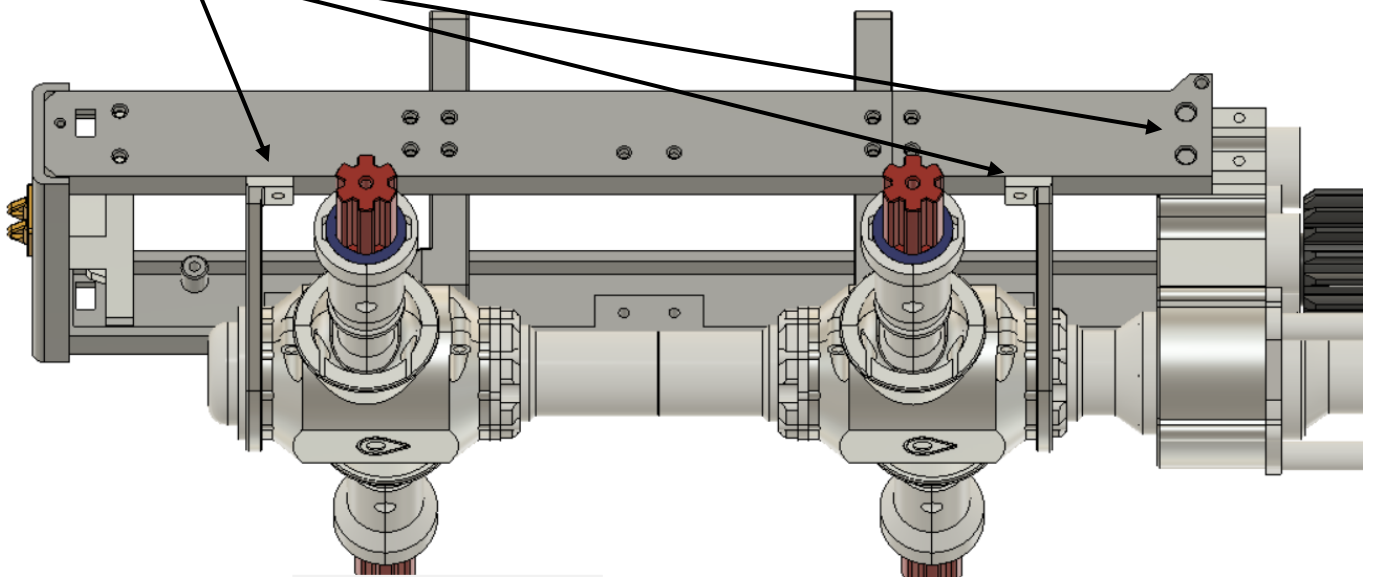
27

28

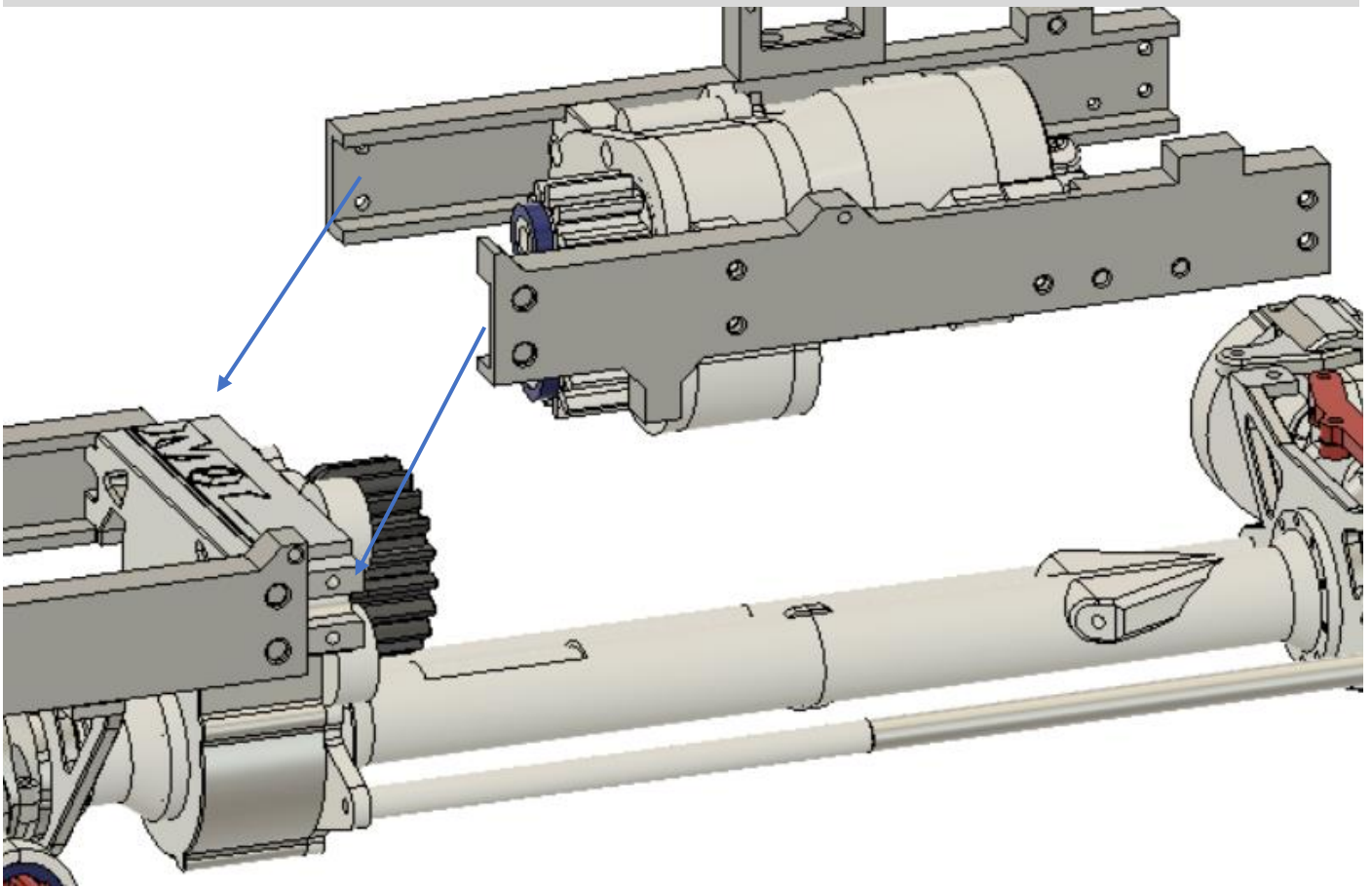
Chassis



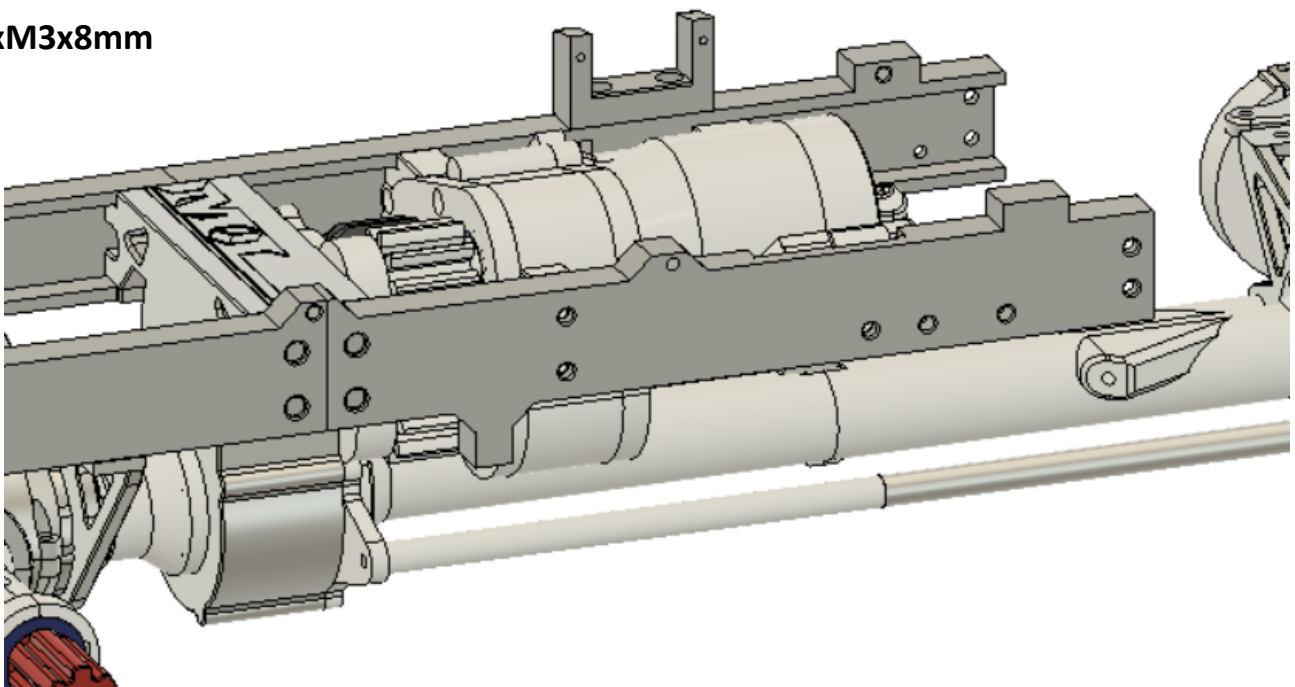
8xM3x8mm



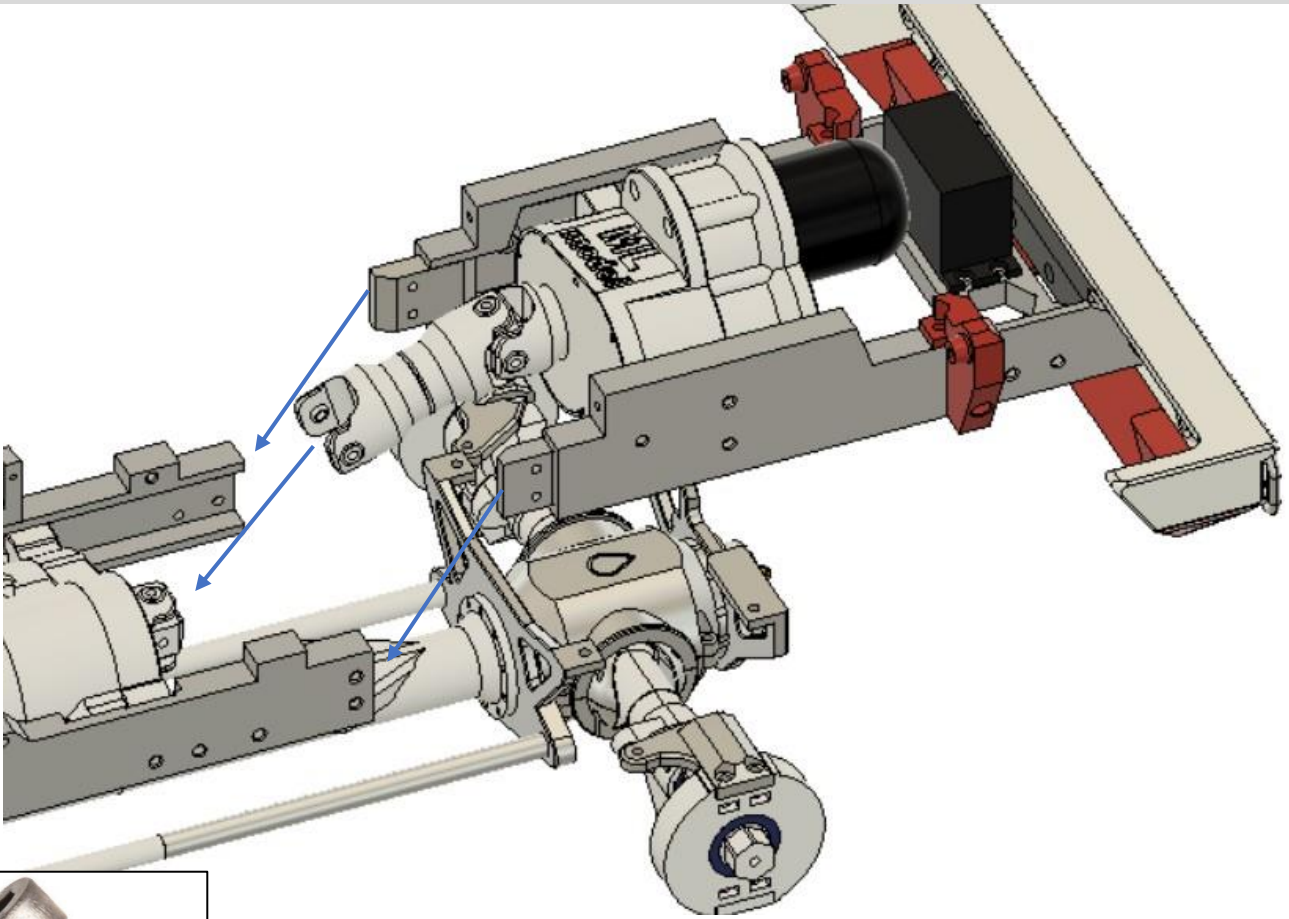
Chassis



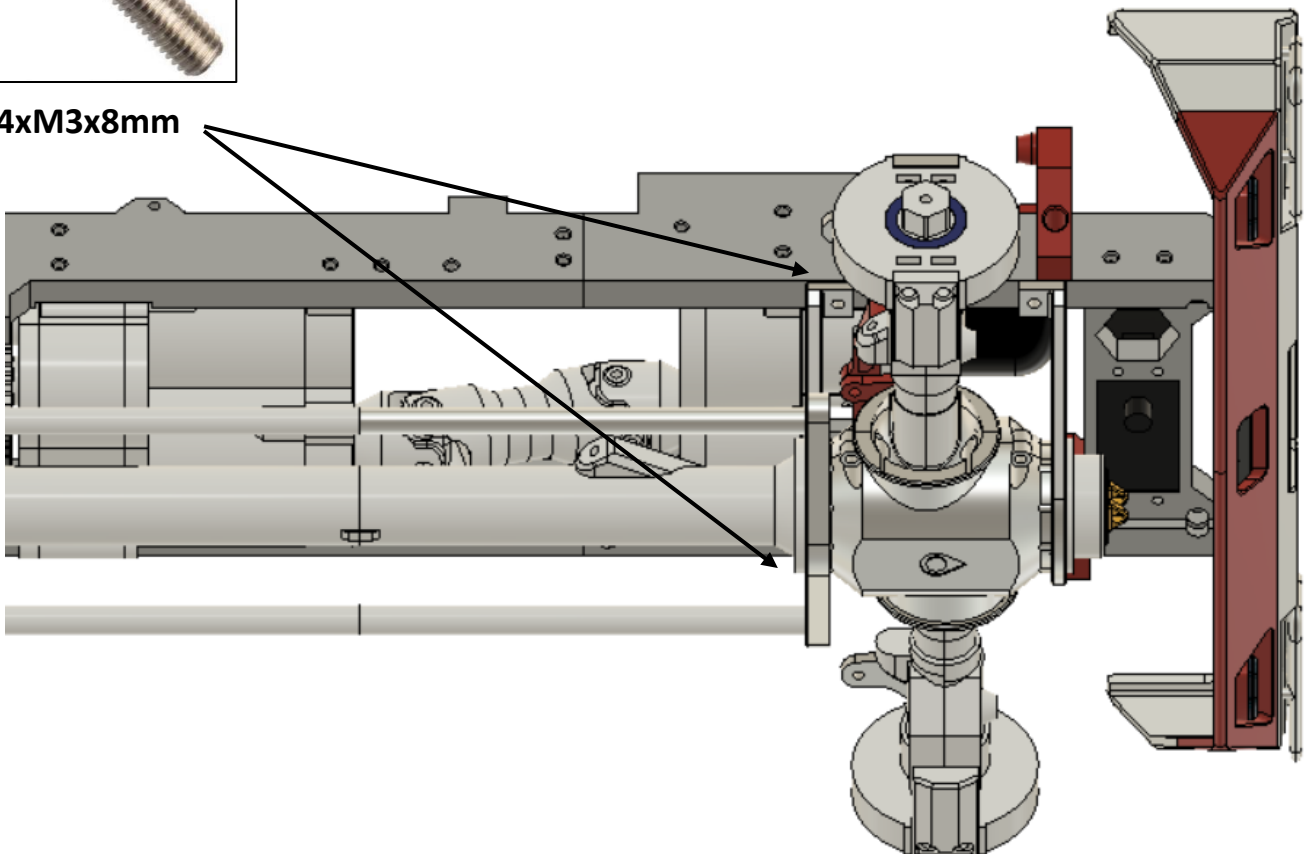
4xM3x8mm



Chassis



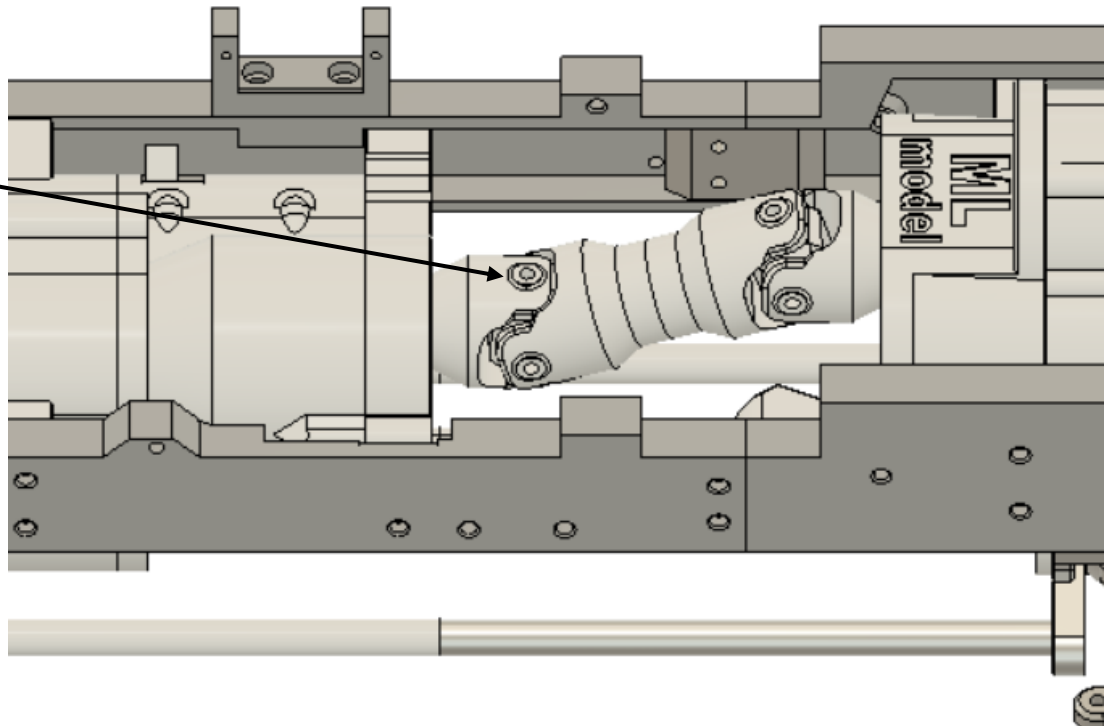
4xM3x8mm



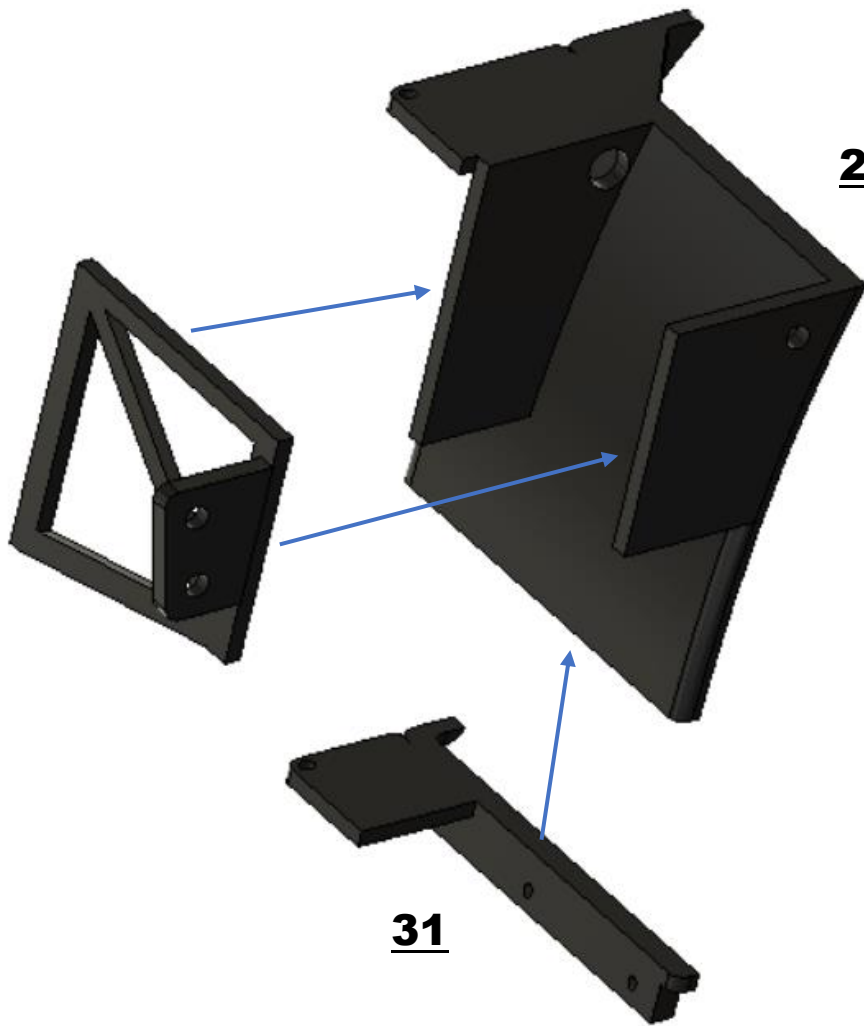
Chassis



2xM3x10mm



30



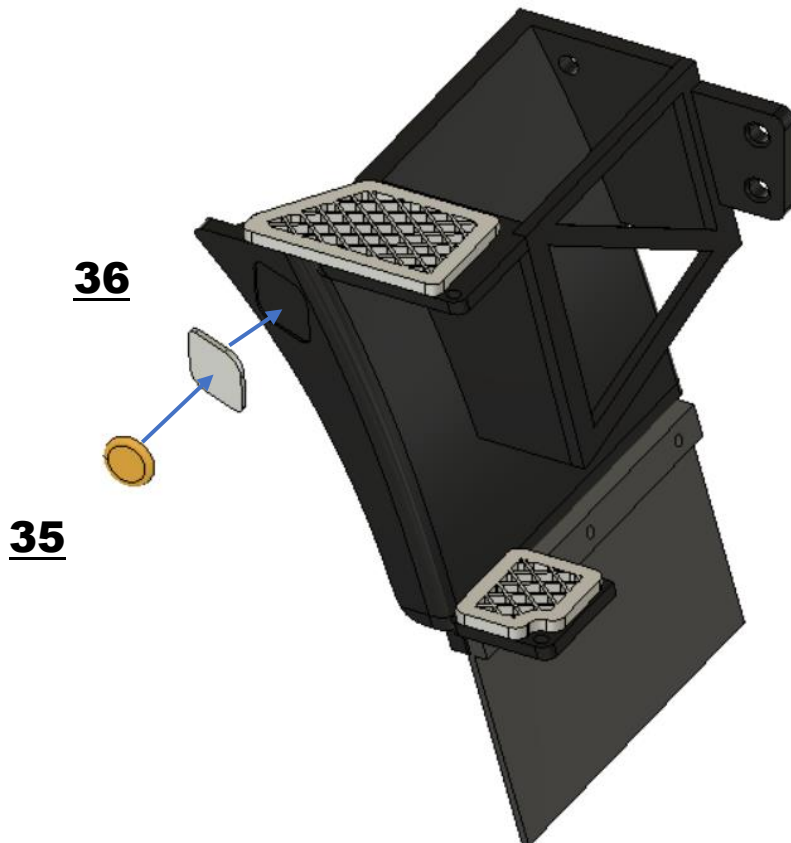
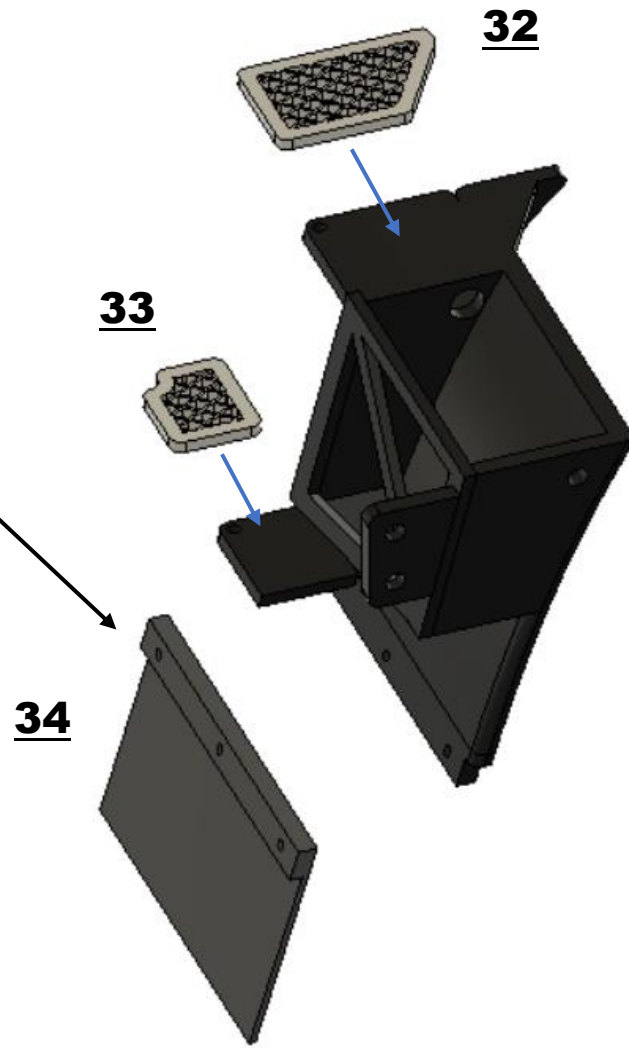
29

31

Chassis



3xM2x6mm



Chassis

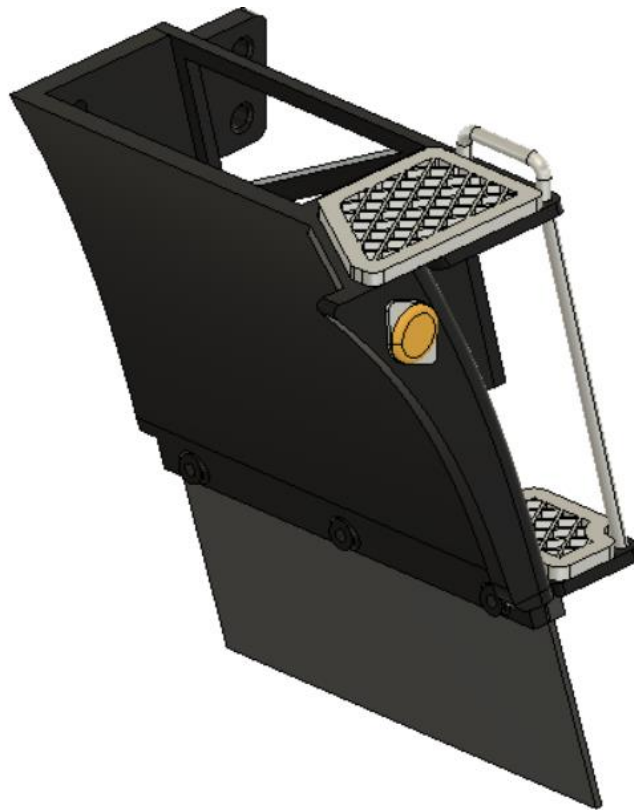


Bend the 2mm copper wire into a similar shape.

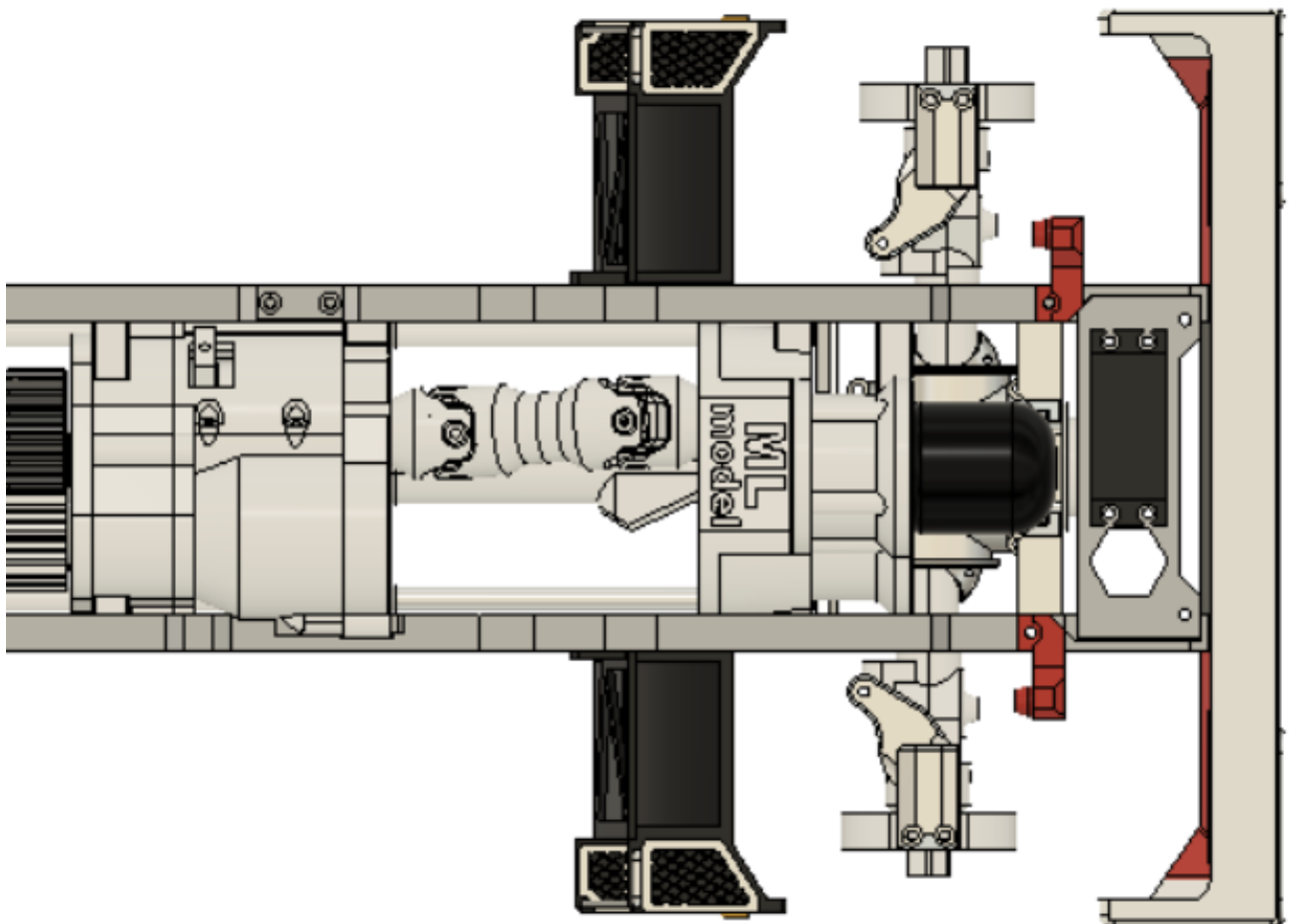
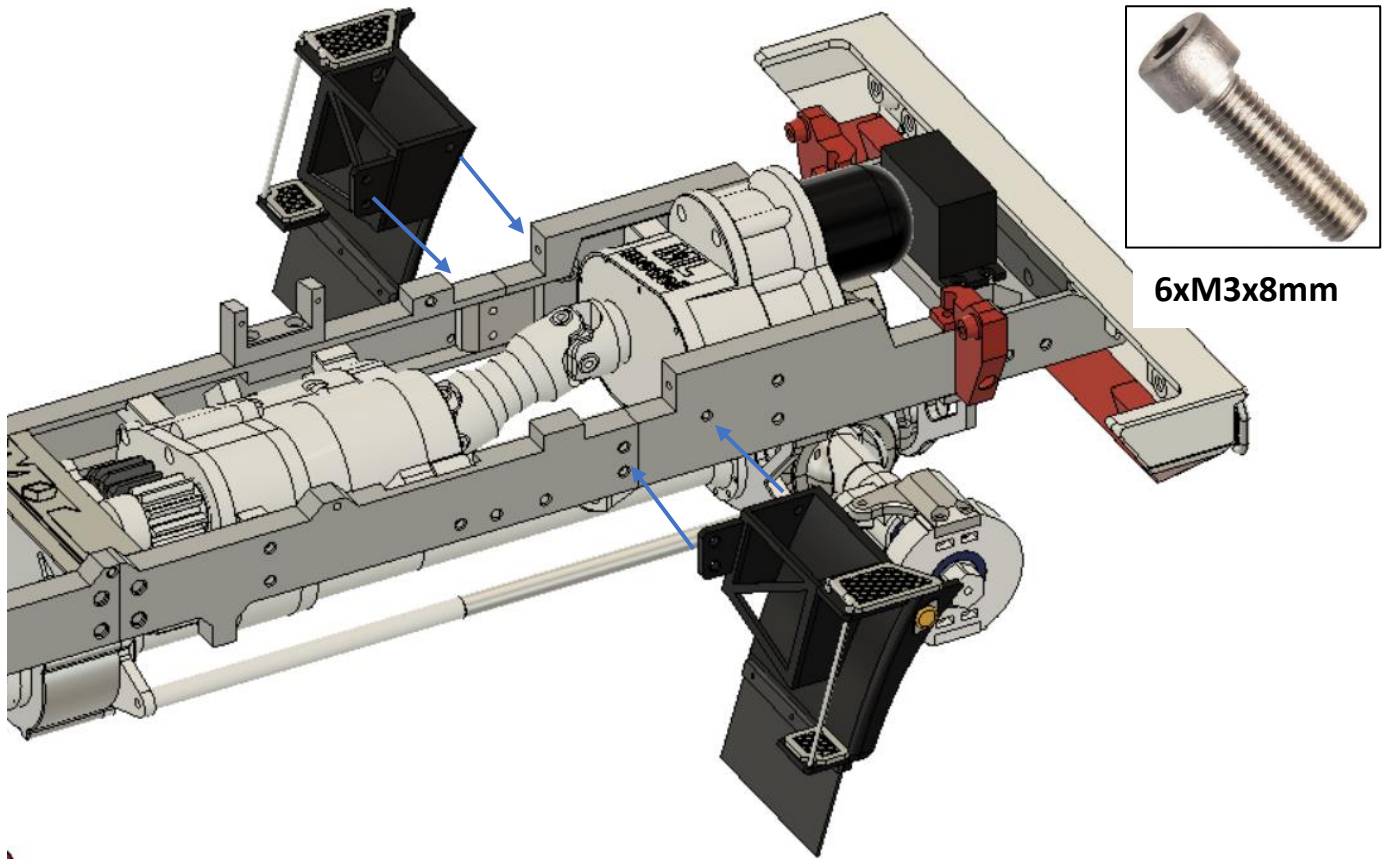
I recommend sanding the wire before painting so that the paint and glue hold better.

Glue the wire in place.

For the other side, proceed in the same way from the parts:37, 38, 39, 40, 41, 34, 35, 36



Chassis

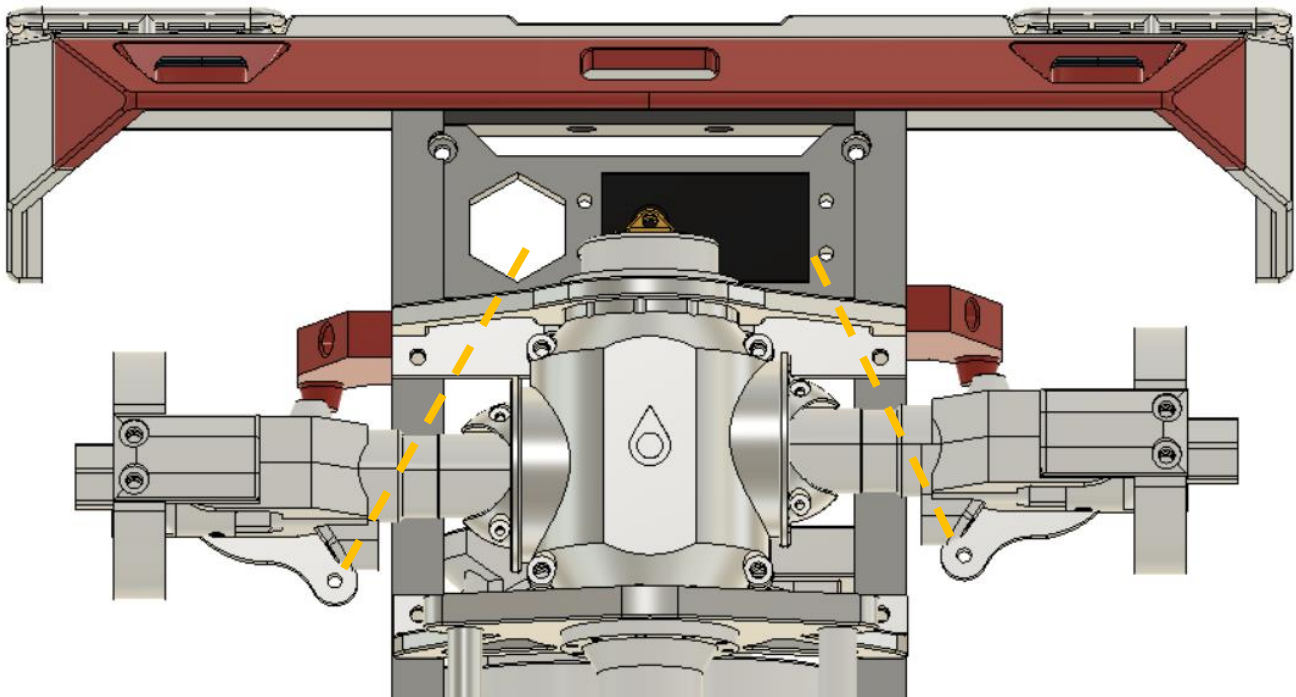


Chassis

Make the steering rods. Select the longest lever from the servo, (as in the picture) and connect the rods to the furthest hole from the center

Threaded rod M3+knuckles

M3 screws



Set the toe/toe when the semi-axes are in a plane. As the semi-axis moves down/up, the geometry changes. The chosen set of turns allowed me to comply

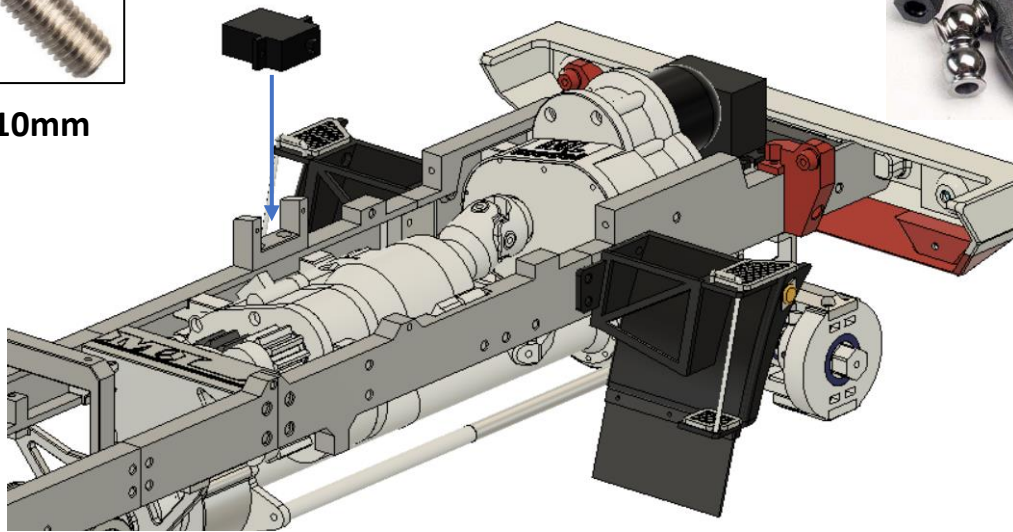
Ackermann's condition

and minimize the unwanted phenomenon of changing geometry. The model behaves correctly in operation.

Chassis

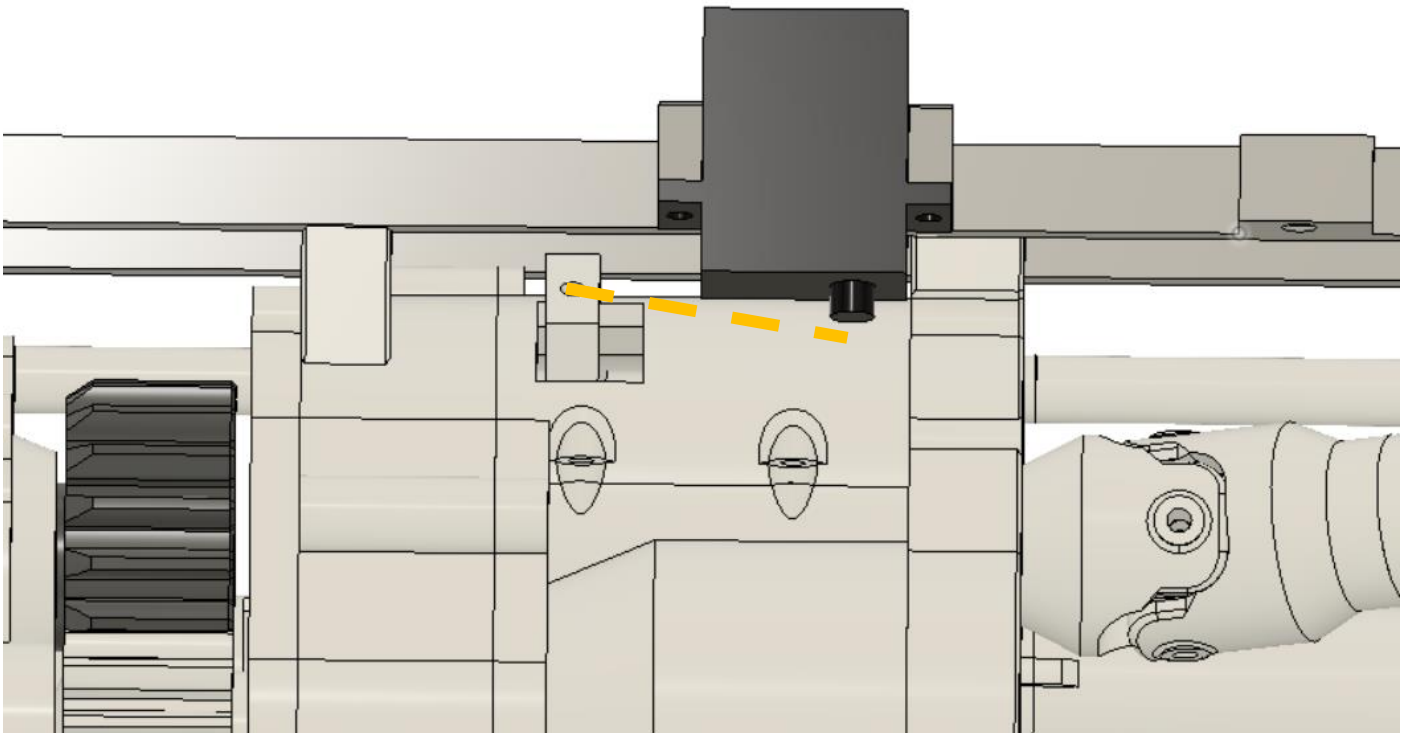


2xM2x10mm

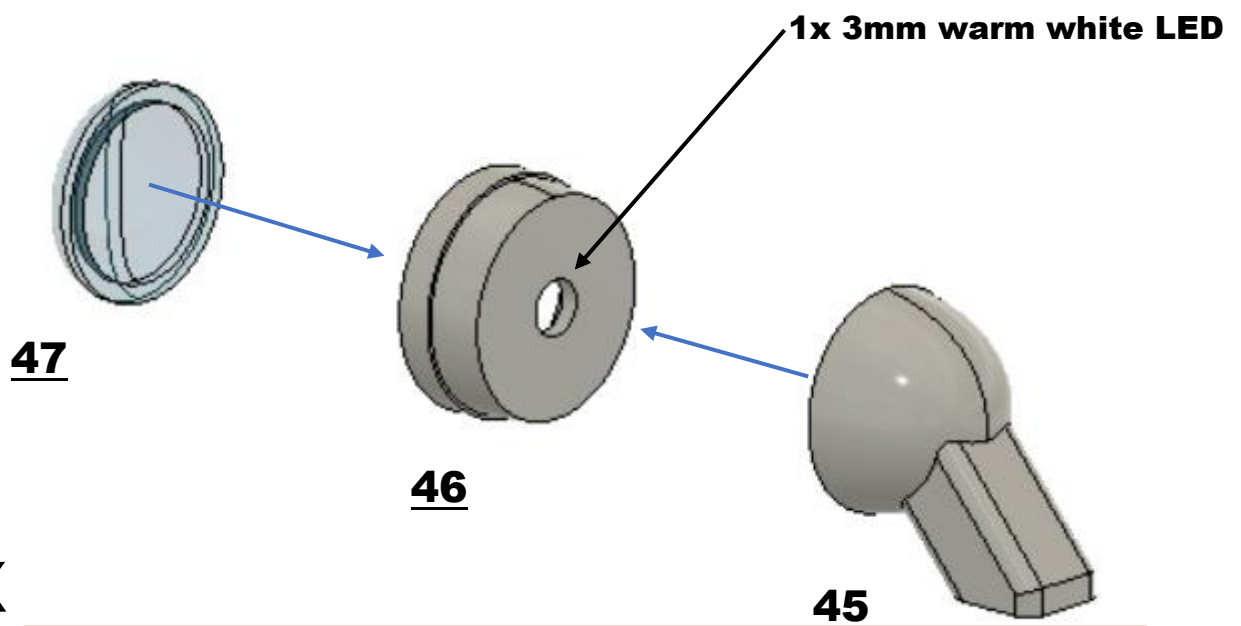
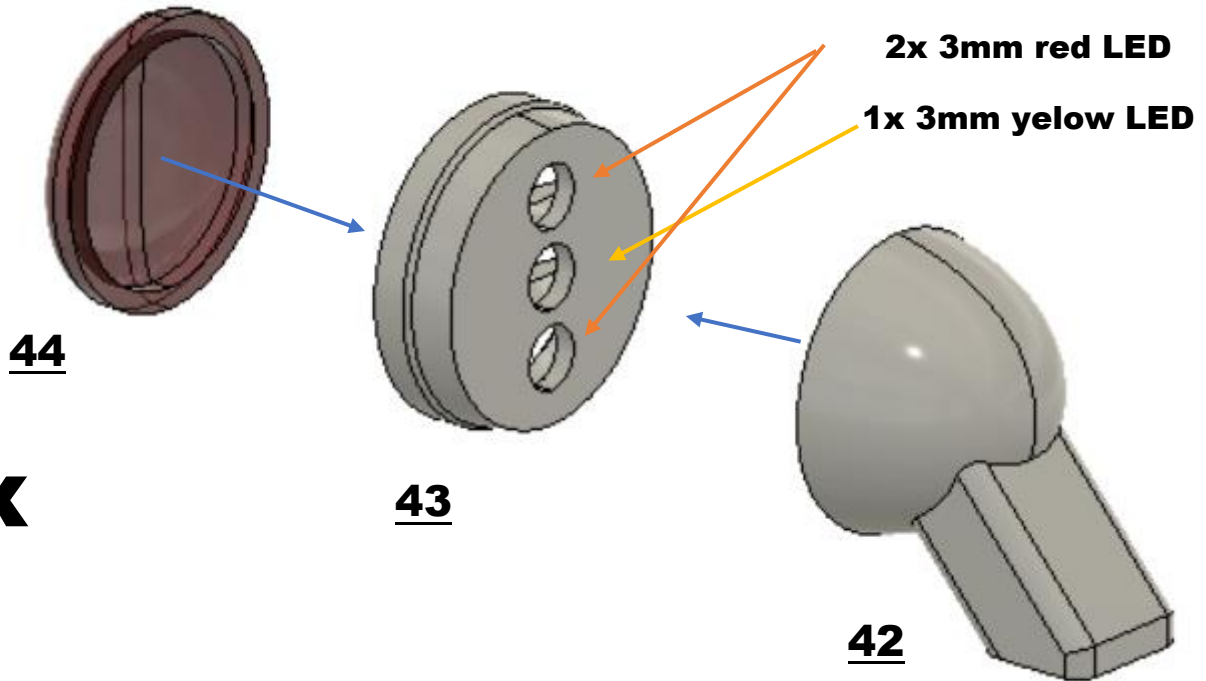


Place the microservo, select the appropriate lever,
and craft the shifter.

Carefully set the range of servo movement in the
transmitter.



Chassis

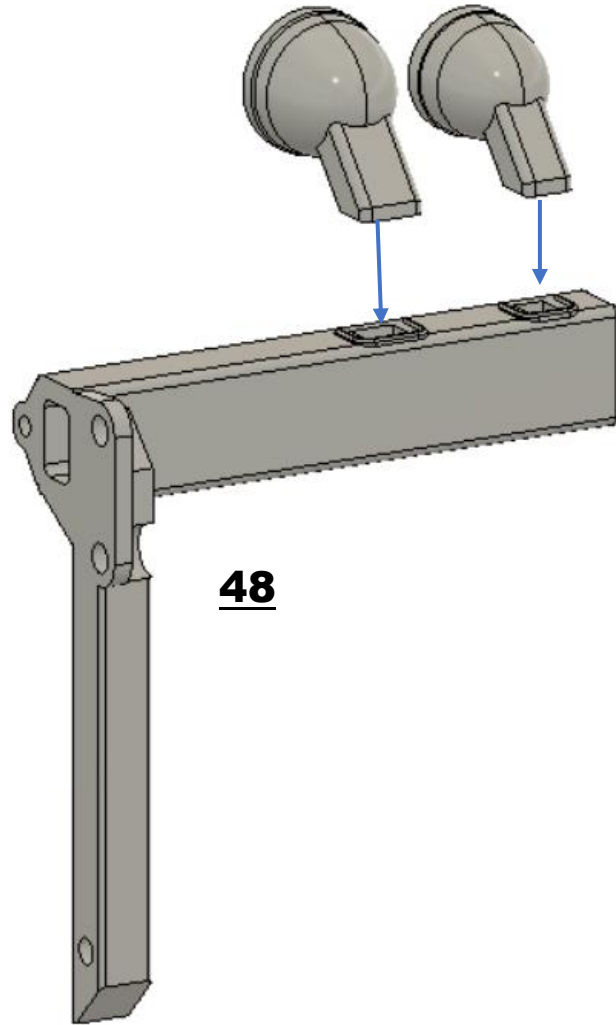


A possible option for the rear exterior lights is:

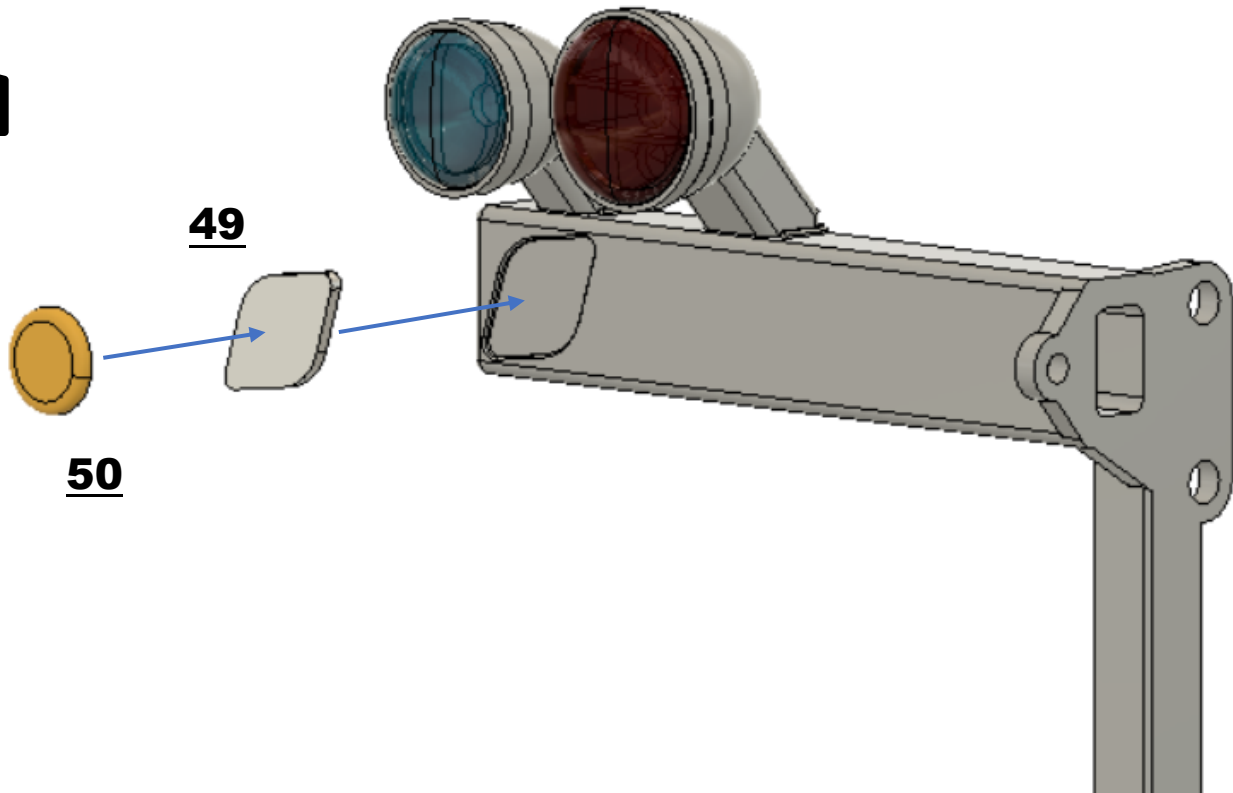
LEFT - back

RIGHT - fog light / reverse

Chassis



48



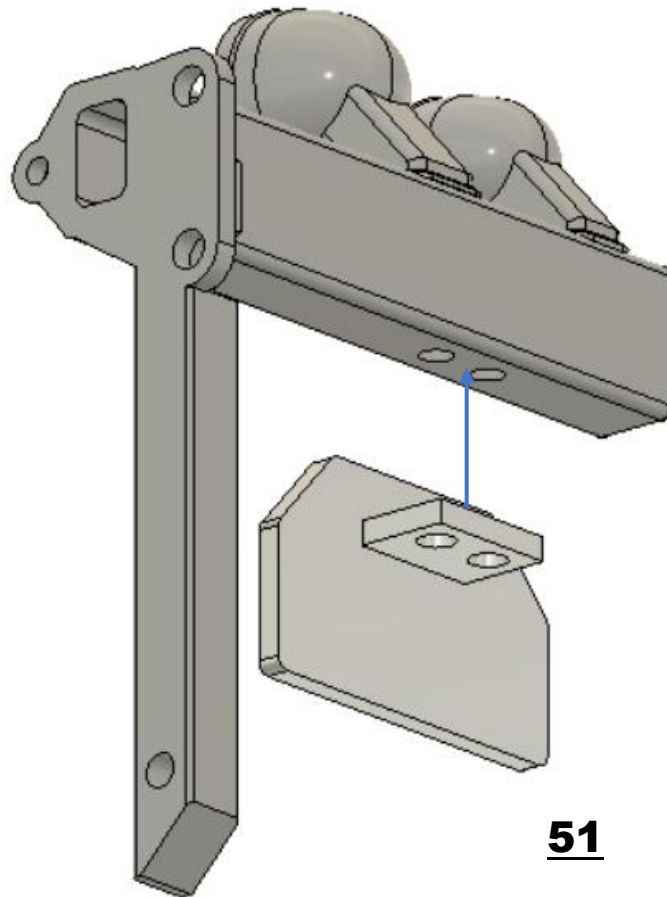
49

50

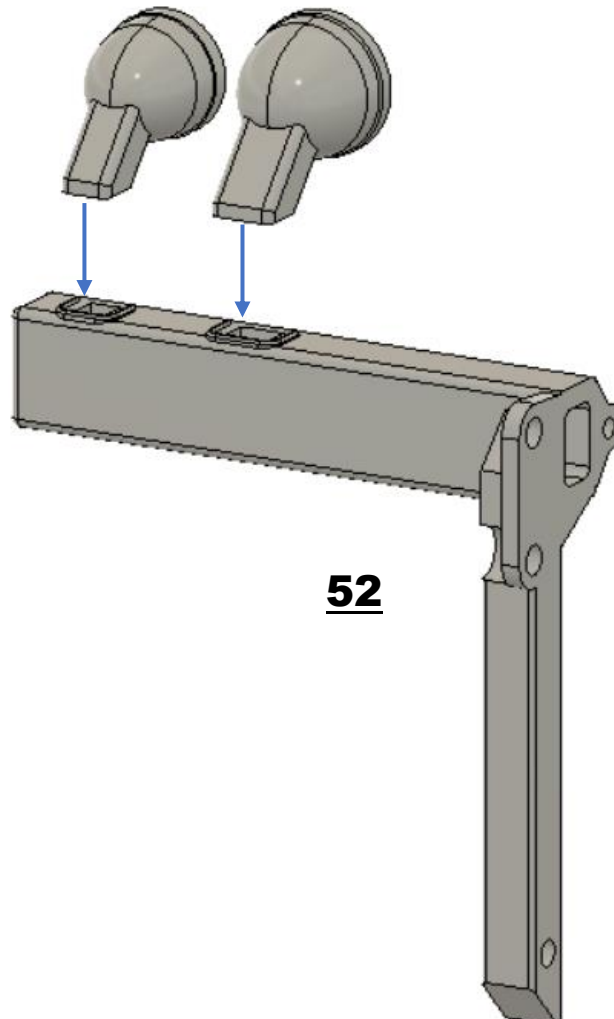
Chassis



2xM3x6mm

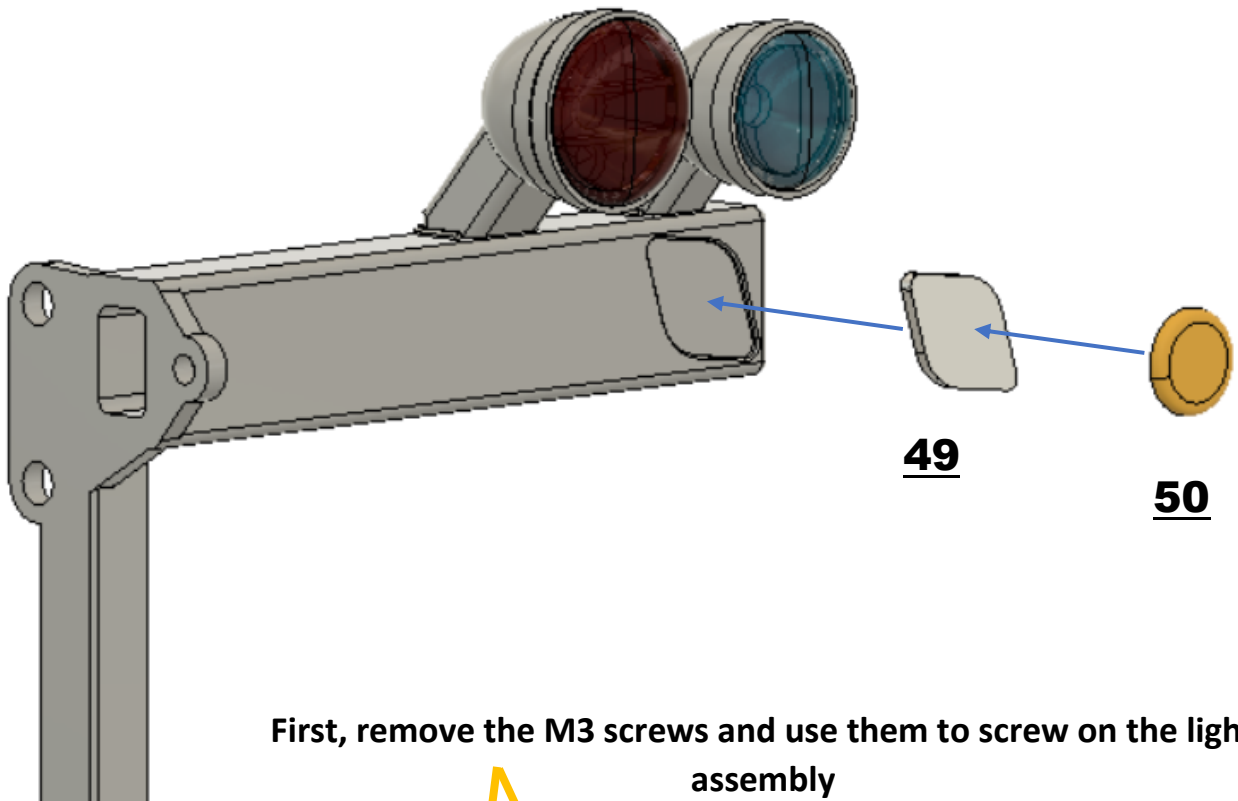


51



52

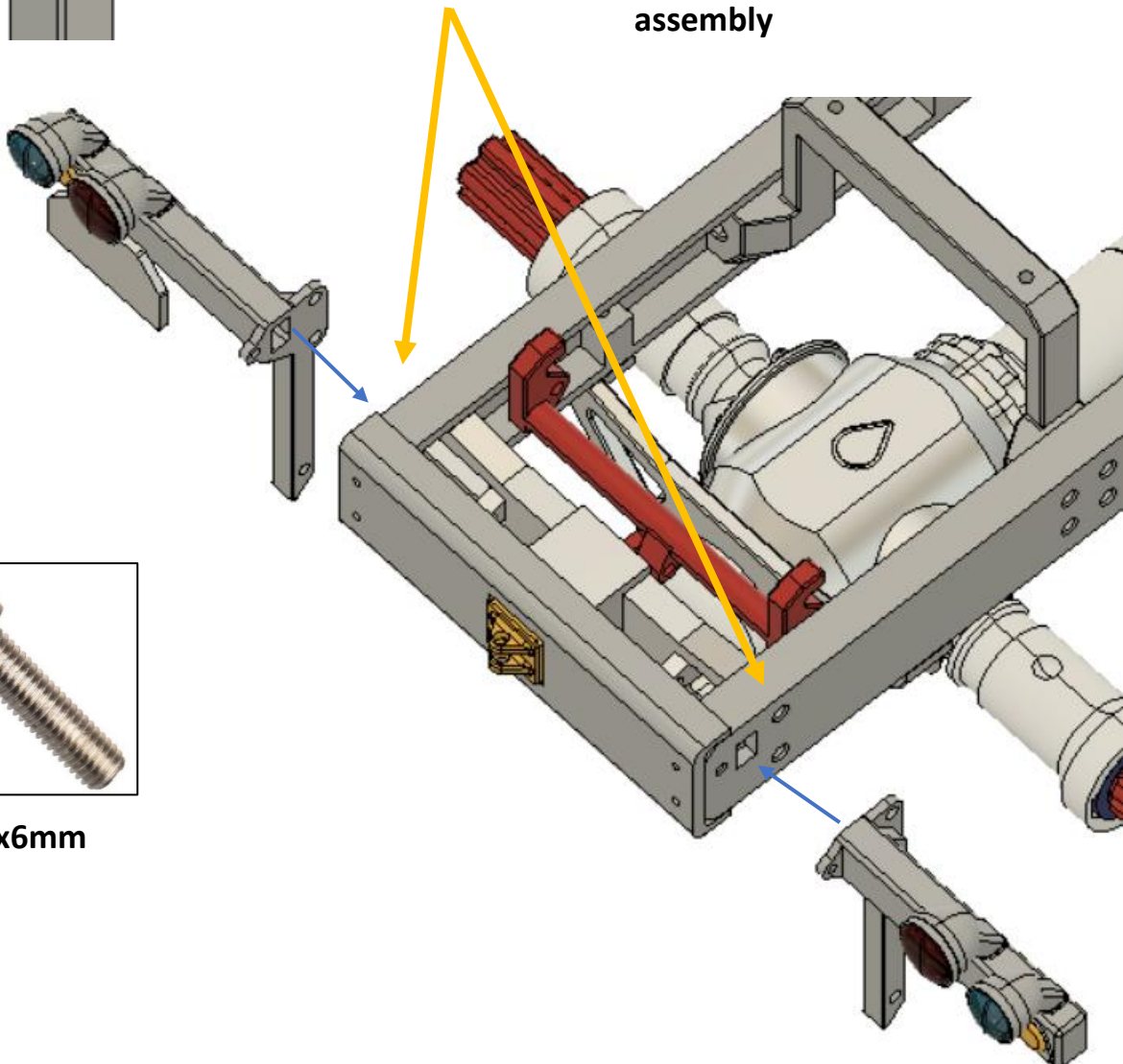
Chassis



49

50

First, remove the M3 screws and use them to screw on the light assembly

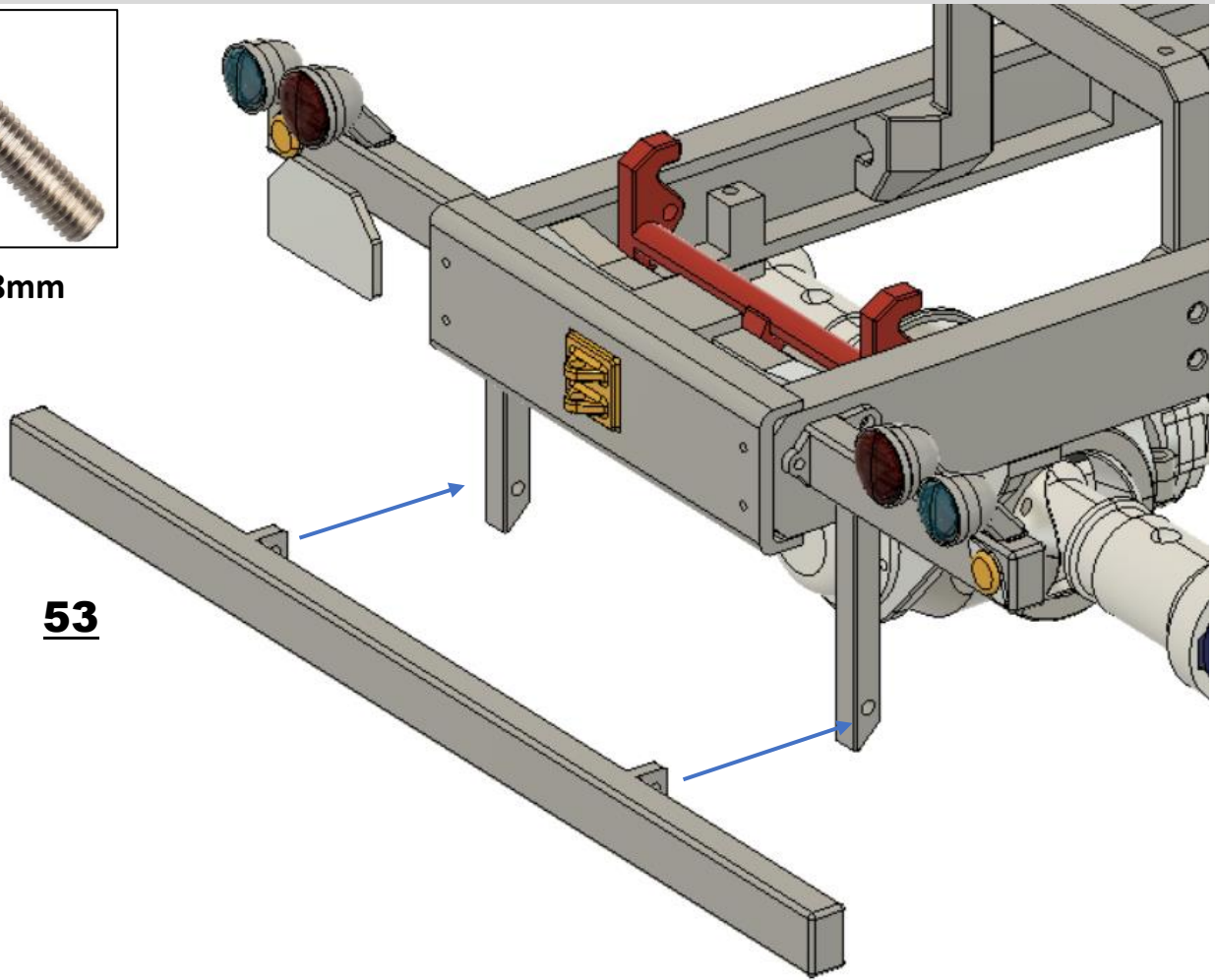


2xM2x6mm

Chassis



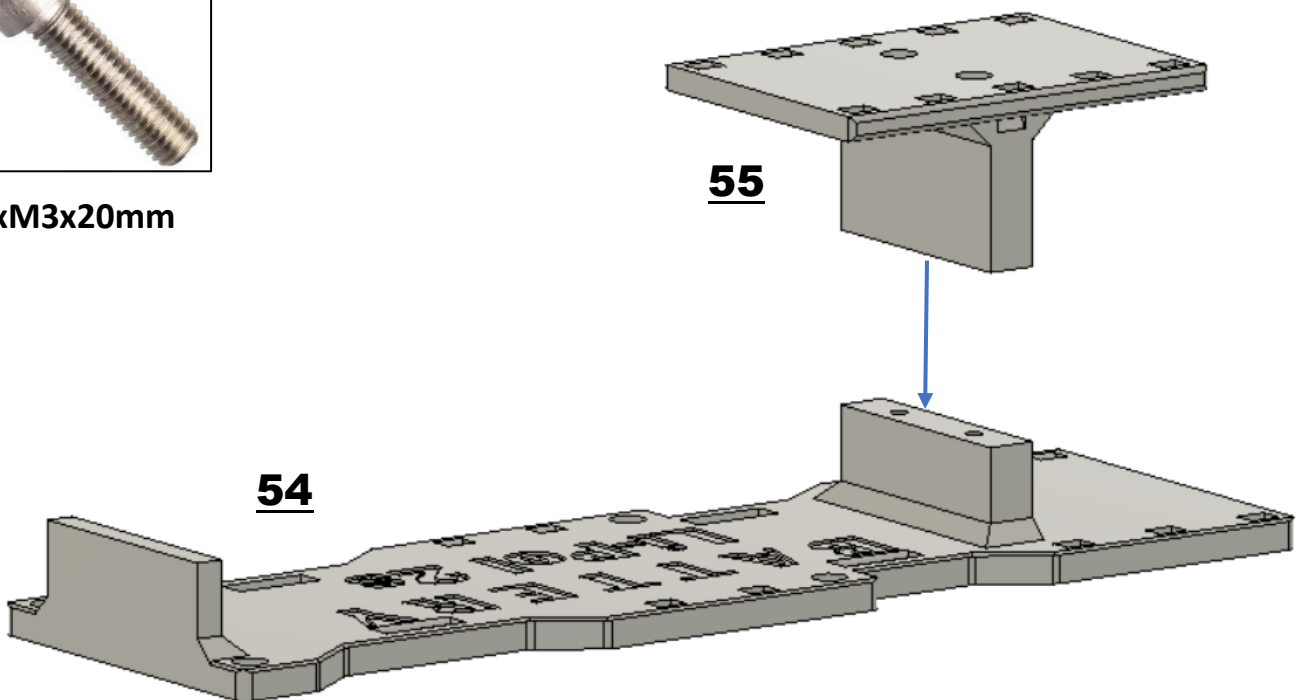
2xM3x8mm



53



2xM3x20mm



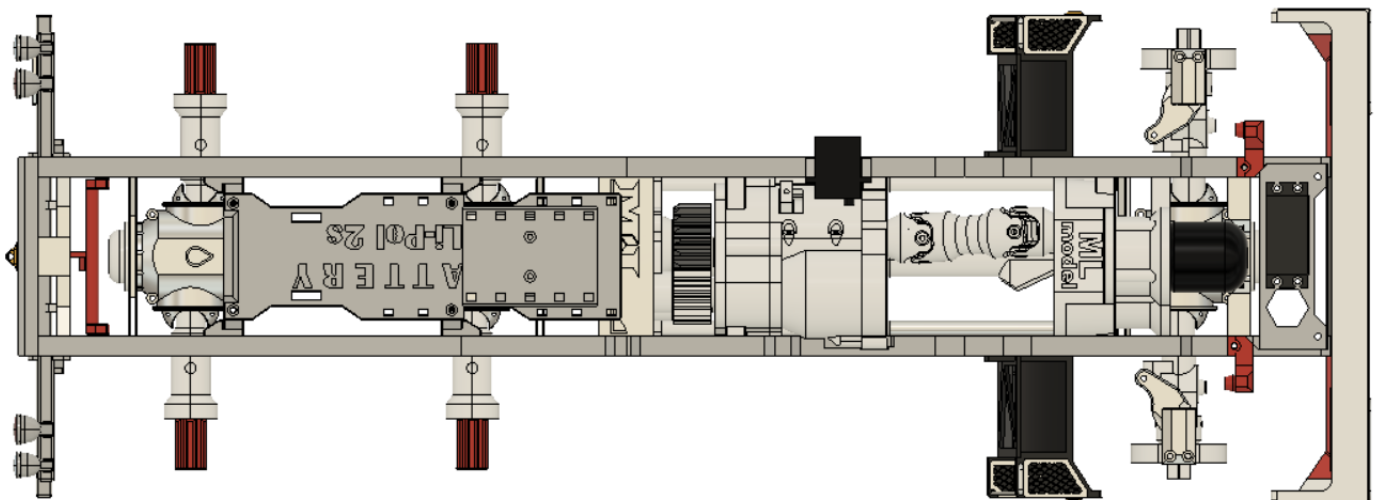
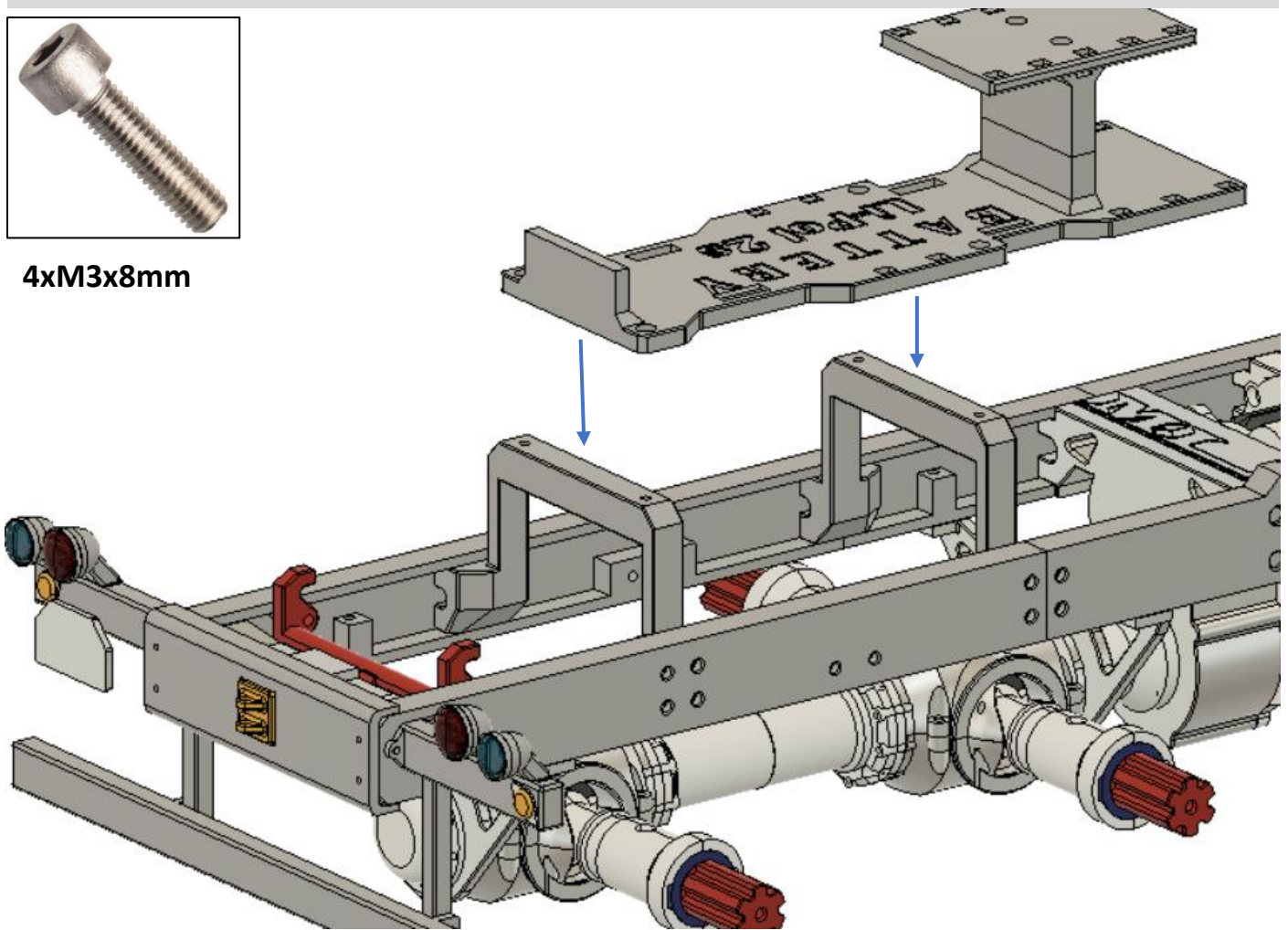
55

54

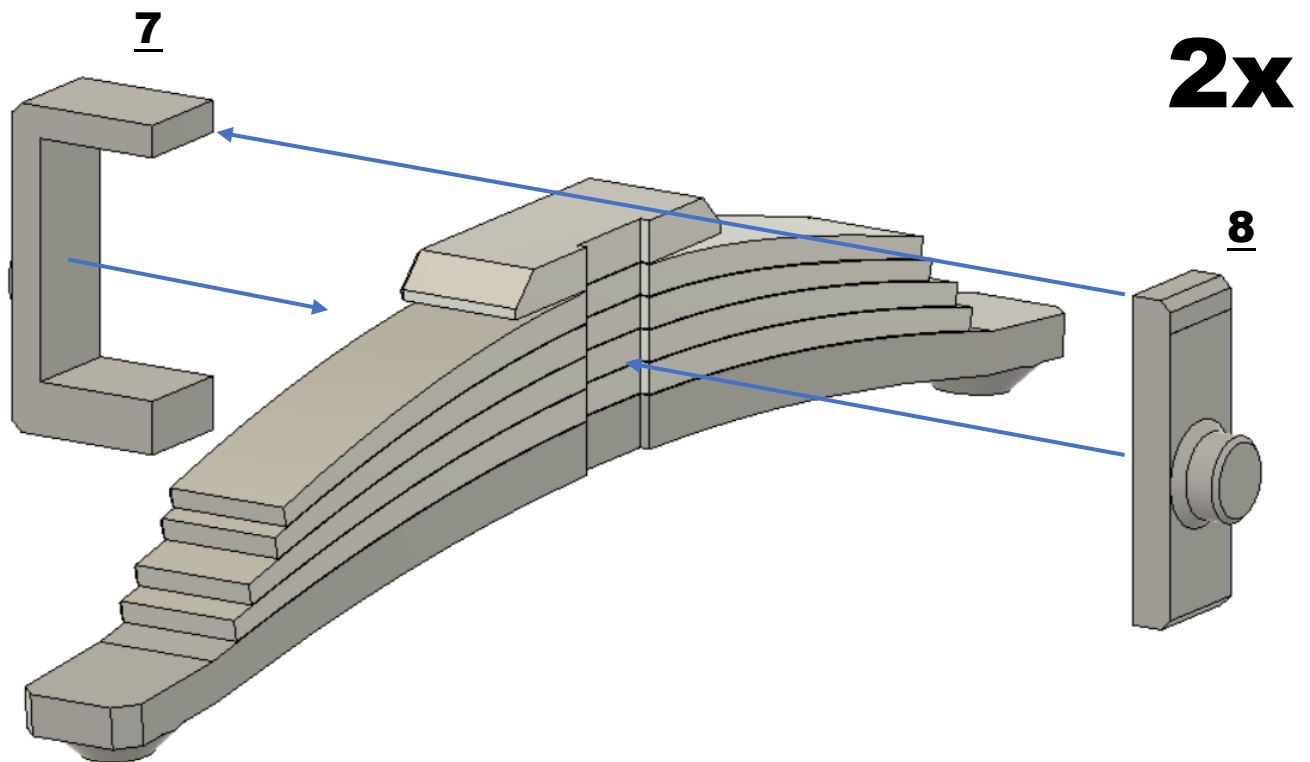
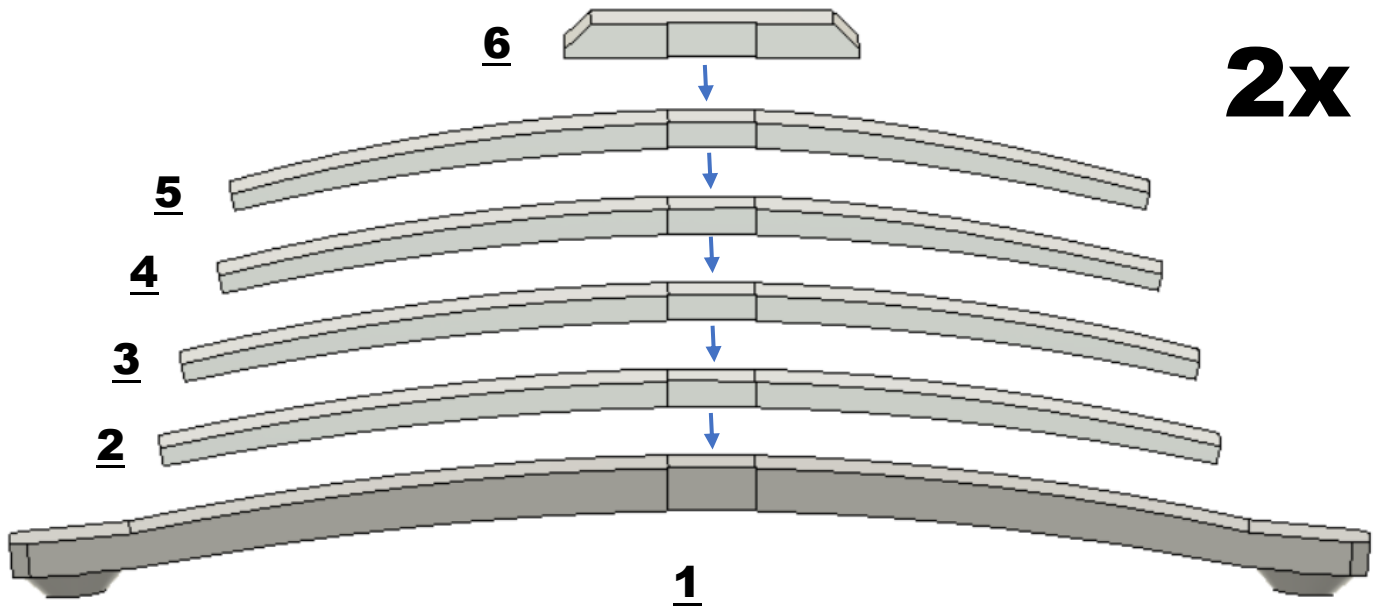
Chassis



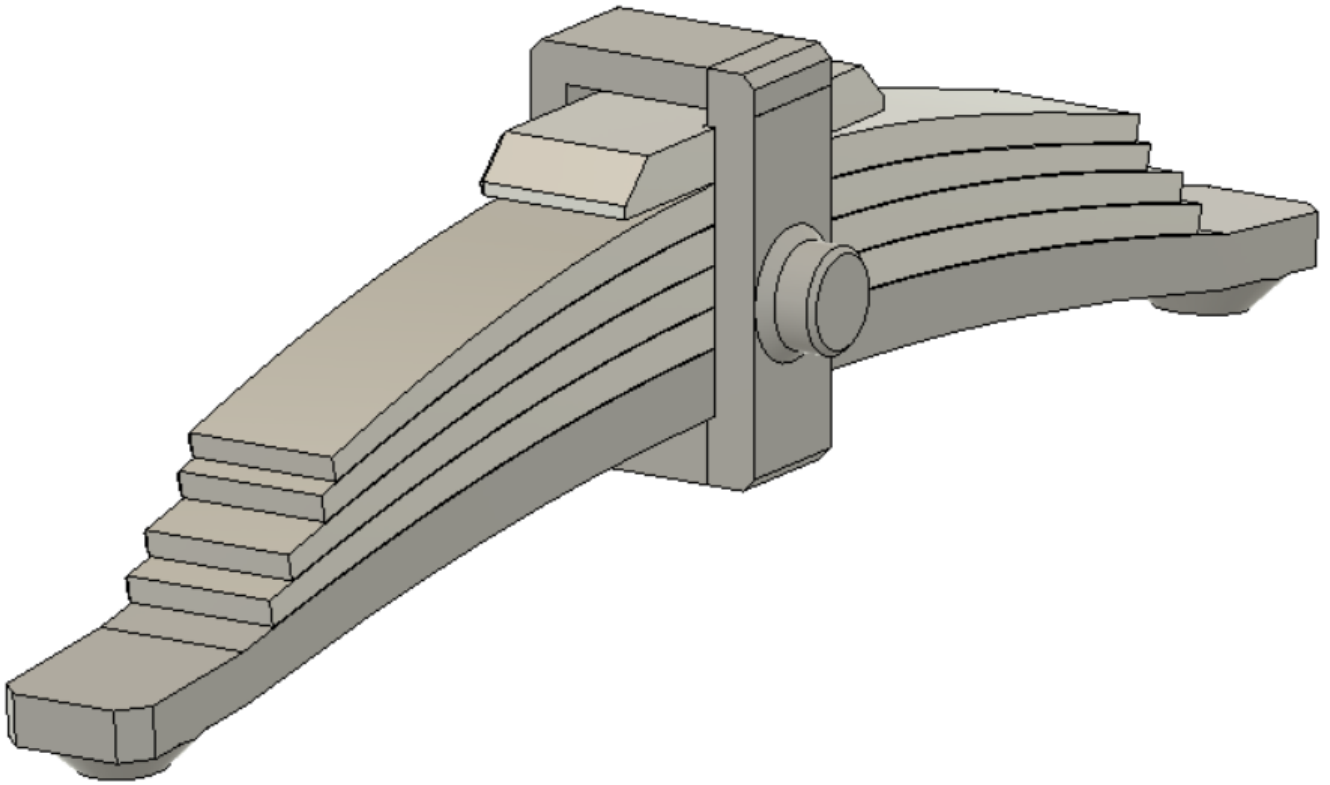
4xM3x8mm



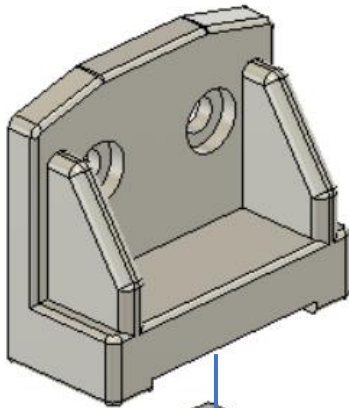
RearSuspension



RearSuspension

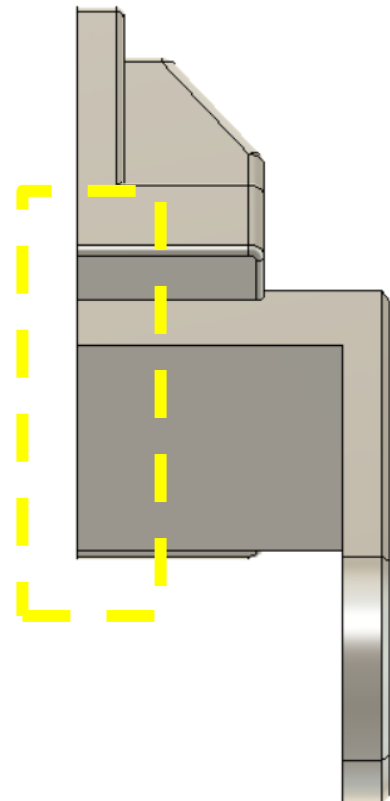
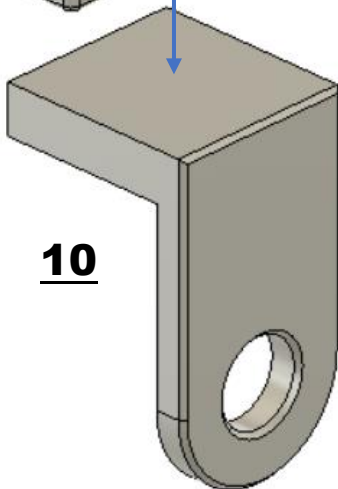


9



2x

10



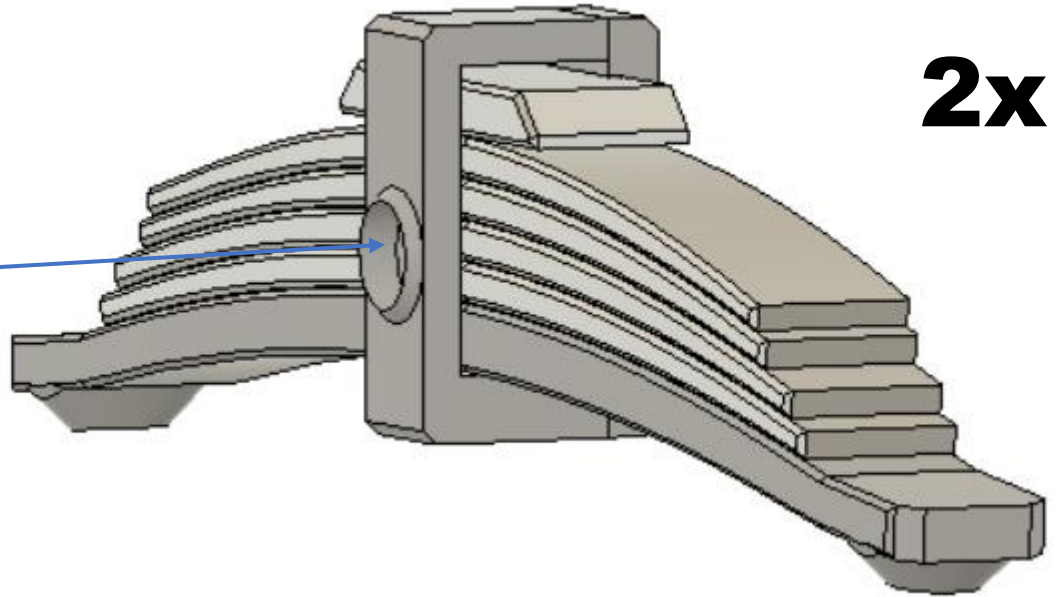
RearSuspension



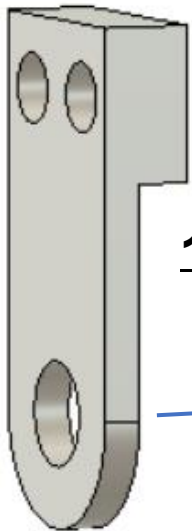
2x



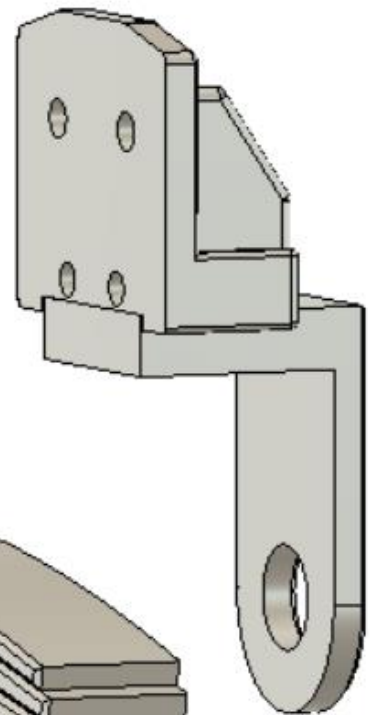
11



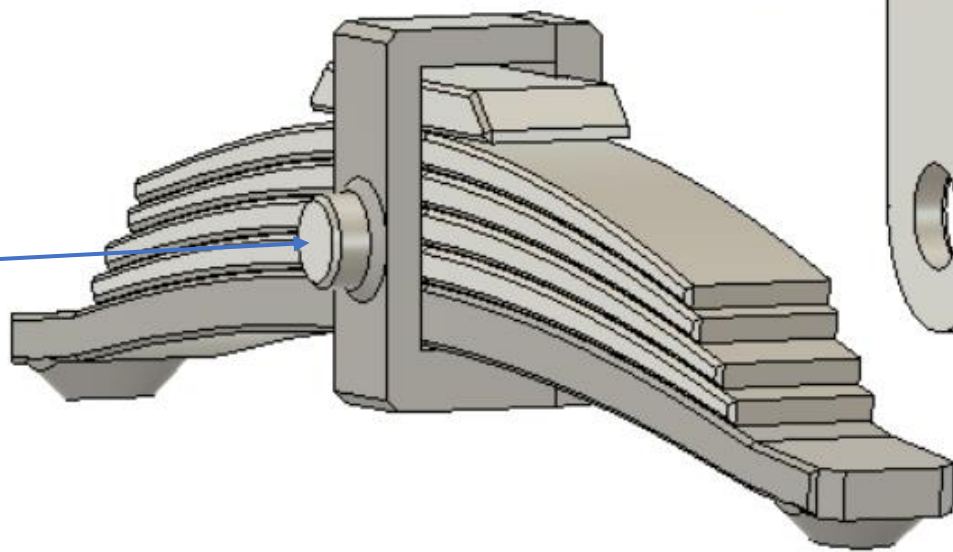
2xM3x8mm



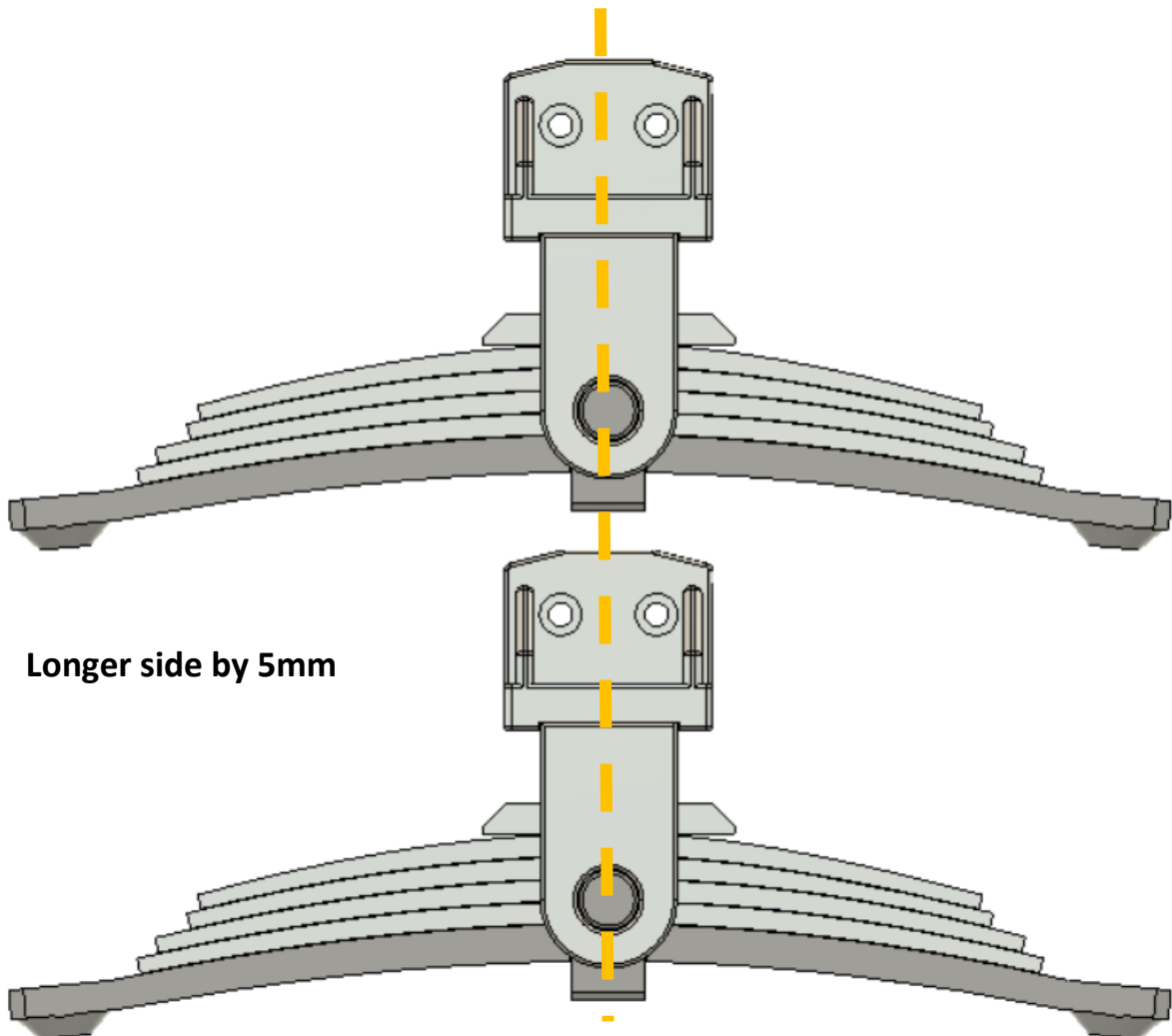
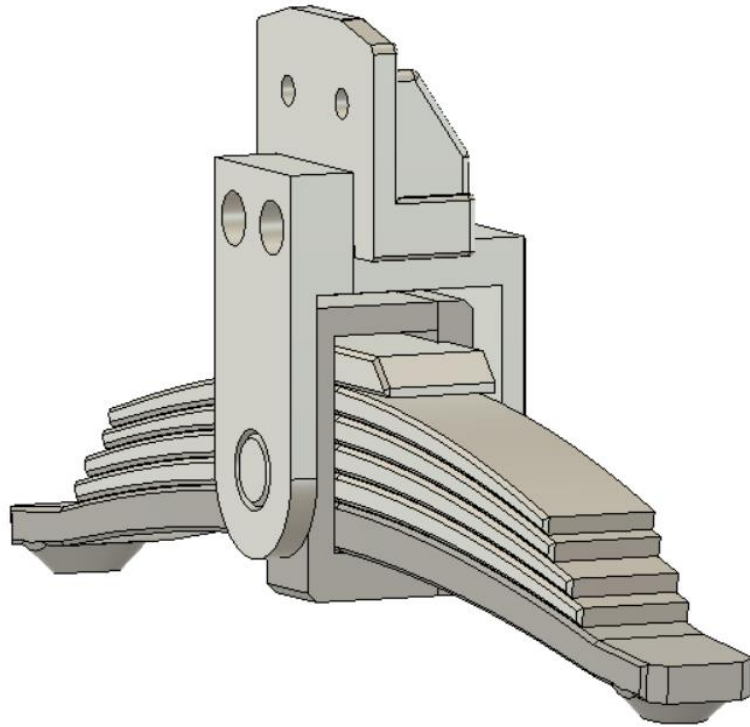
12



2x



RearSuspension



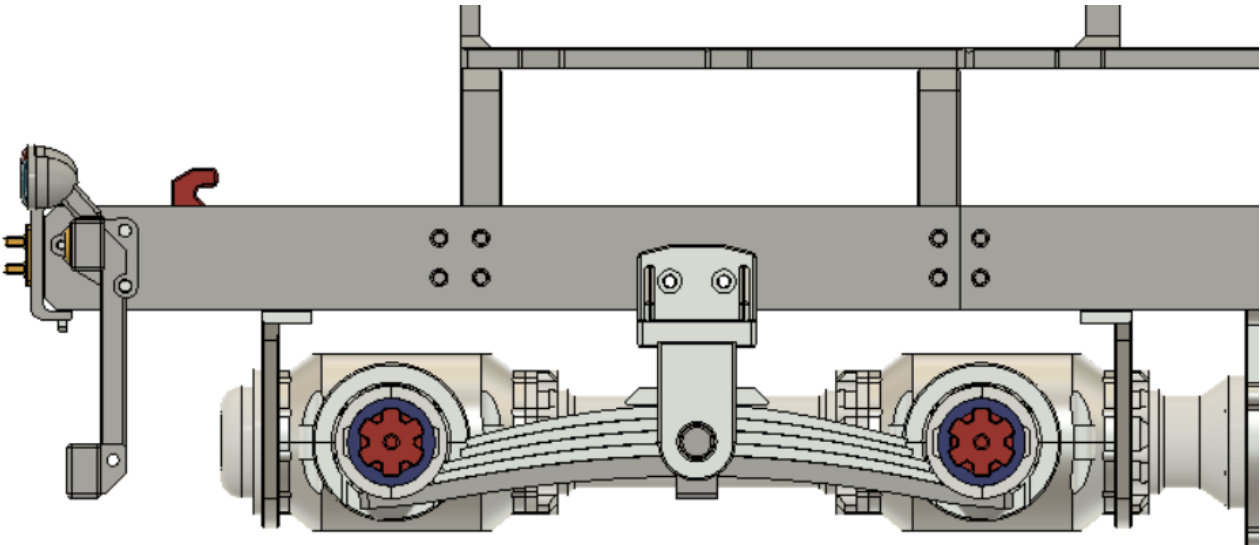
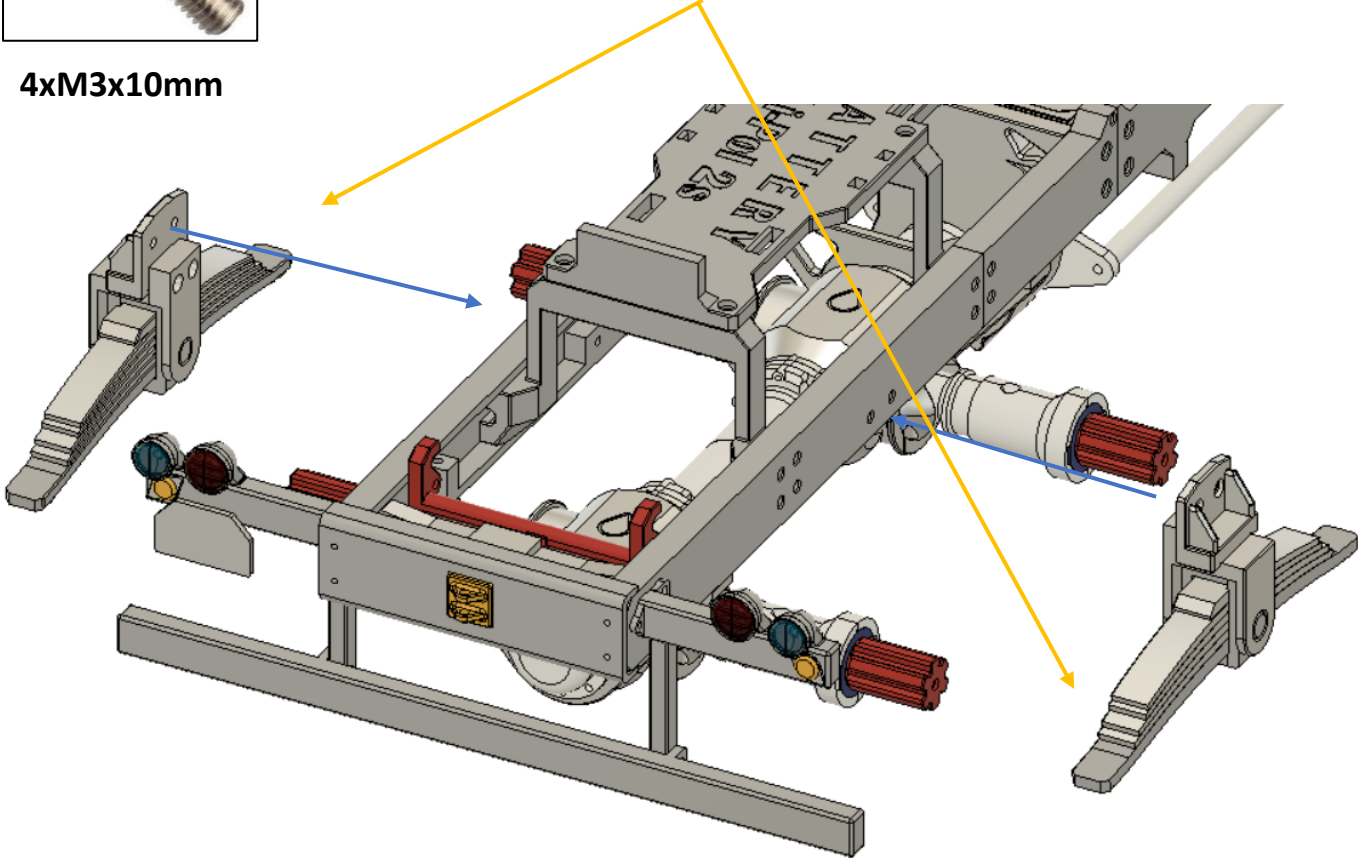
Longer side by 5mm

RearSuspension



4xM3x10mm

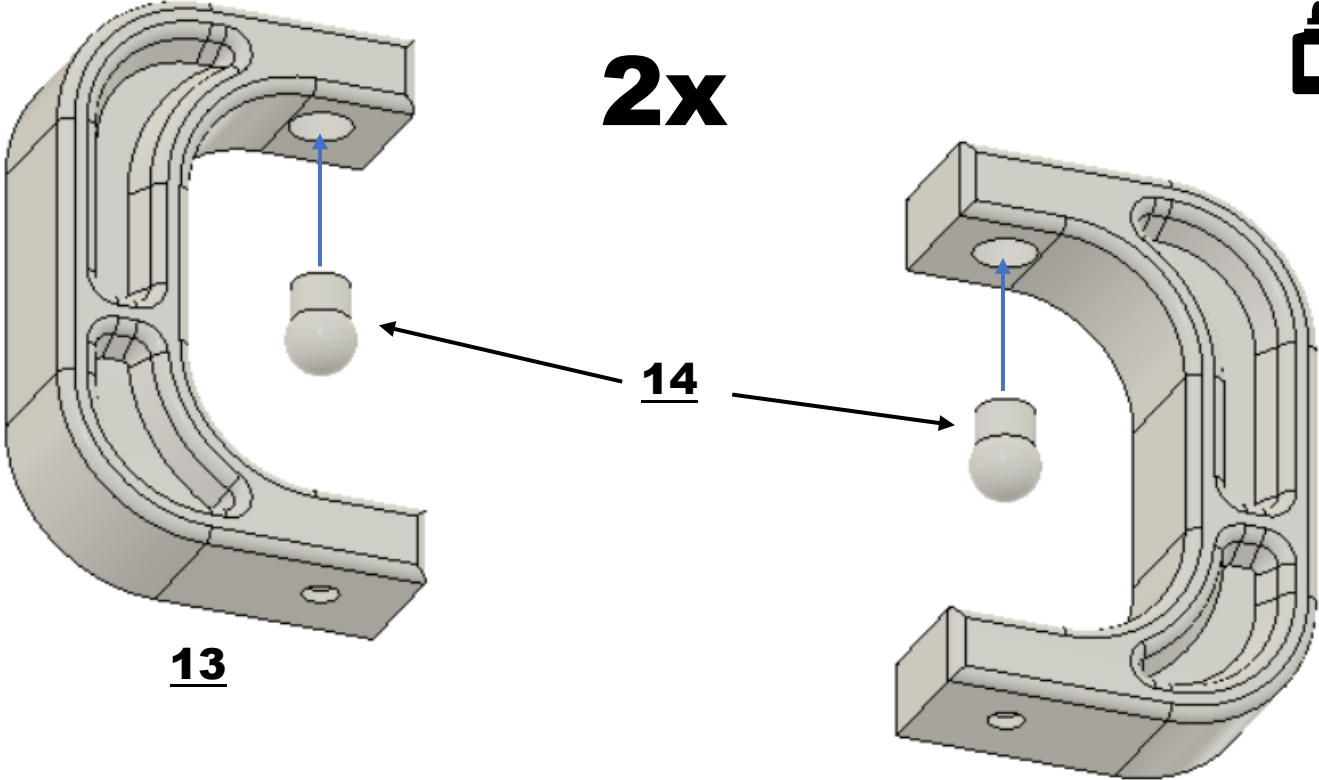
Longer side by 5mm



RearSuspension



2x

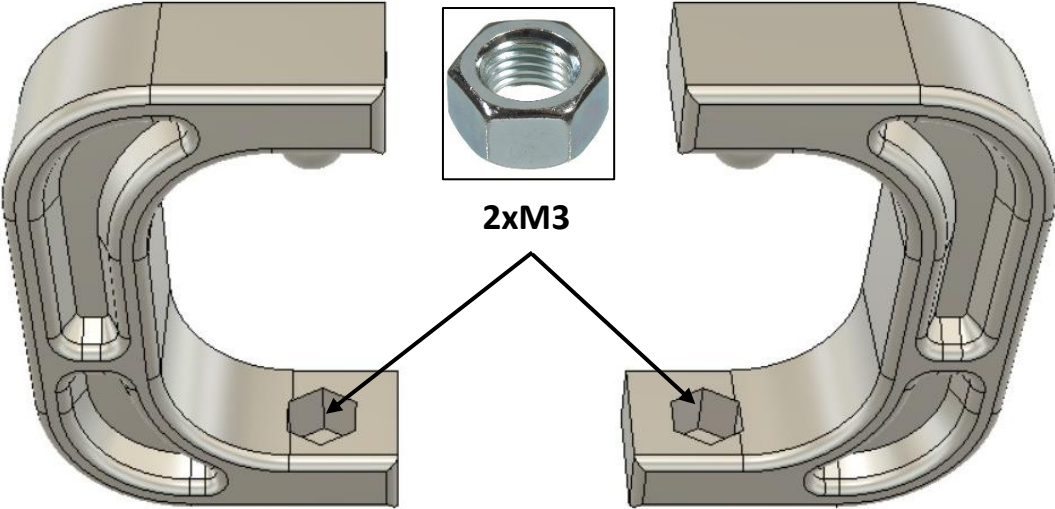


13

14

15

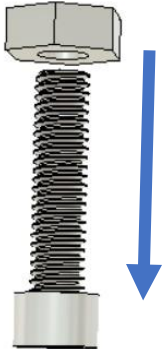
2x



2xM3



4xM3x12mm

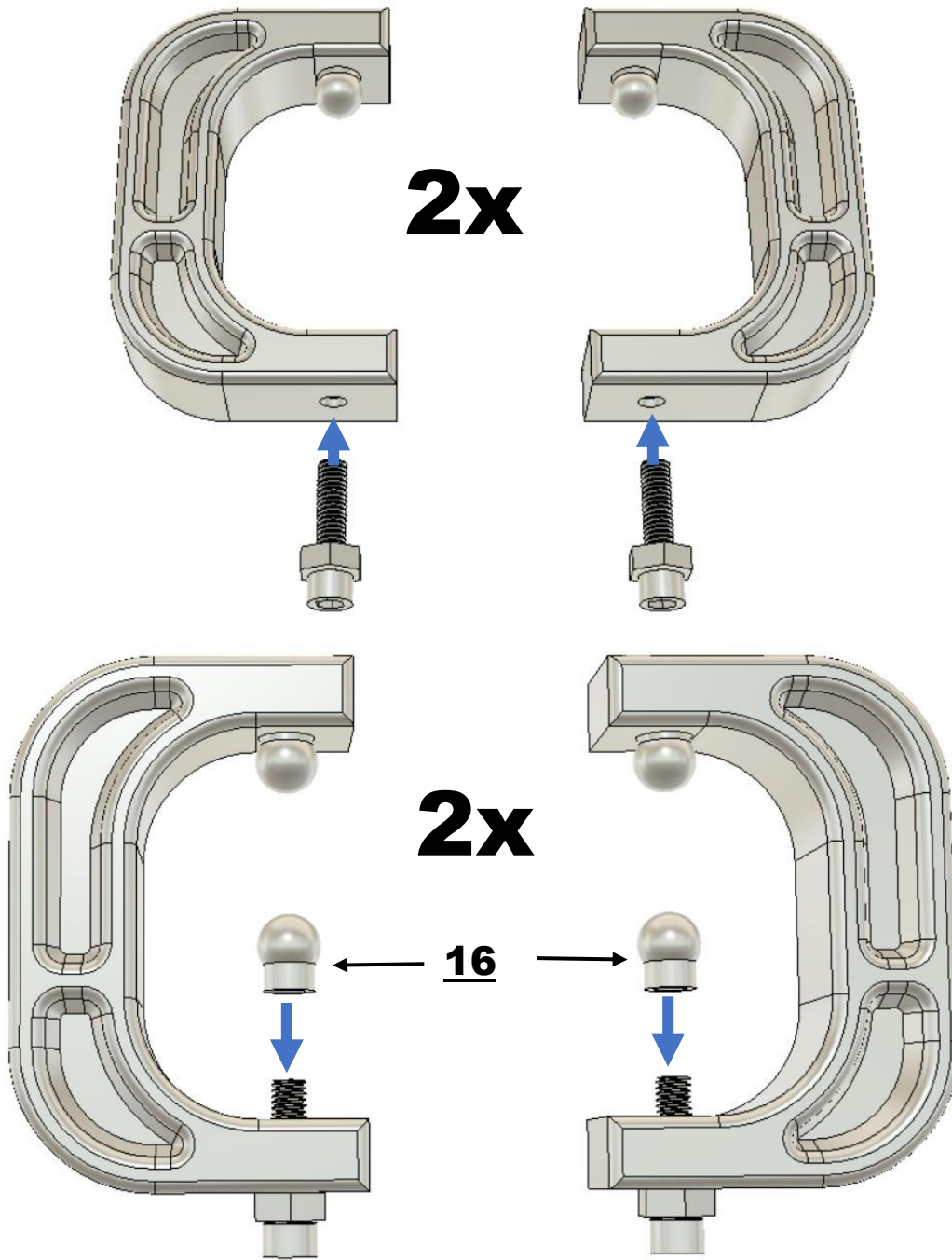


2x

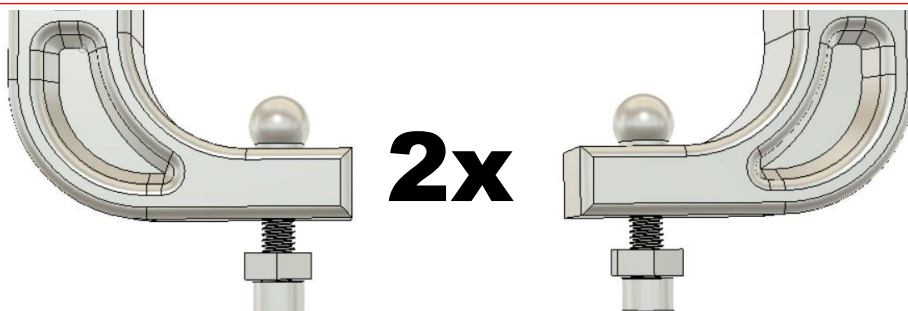


2xM3

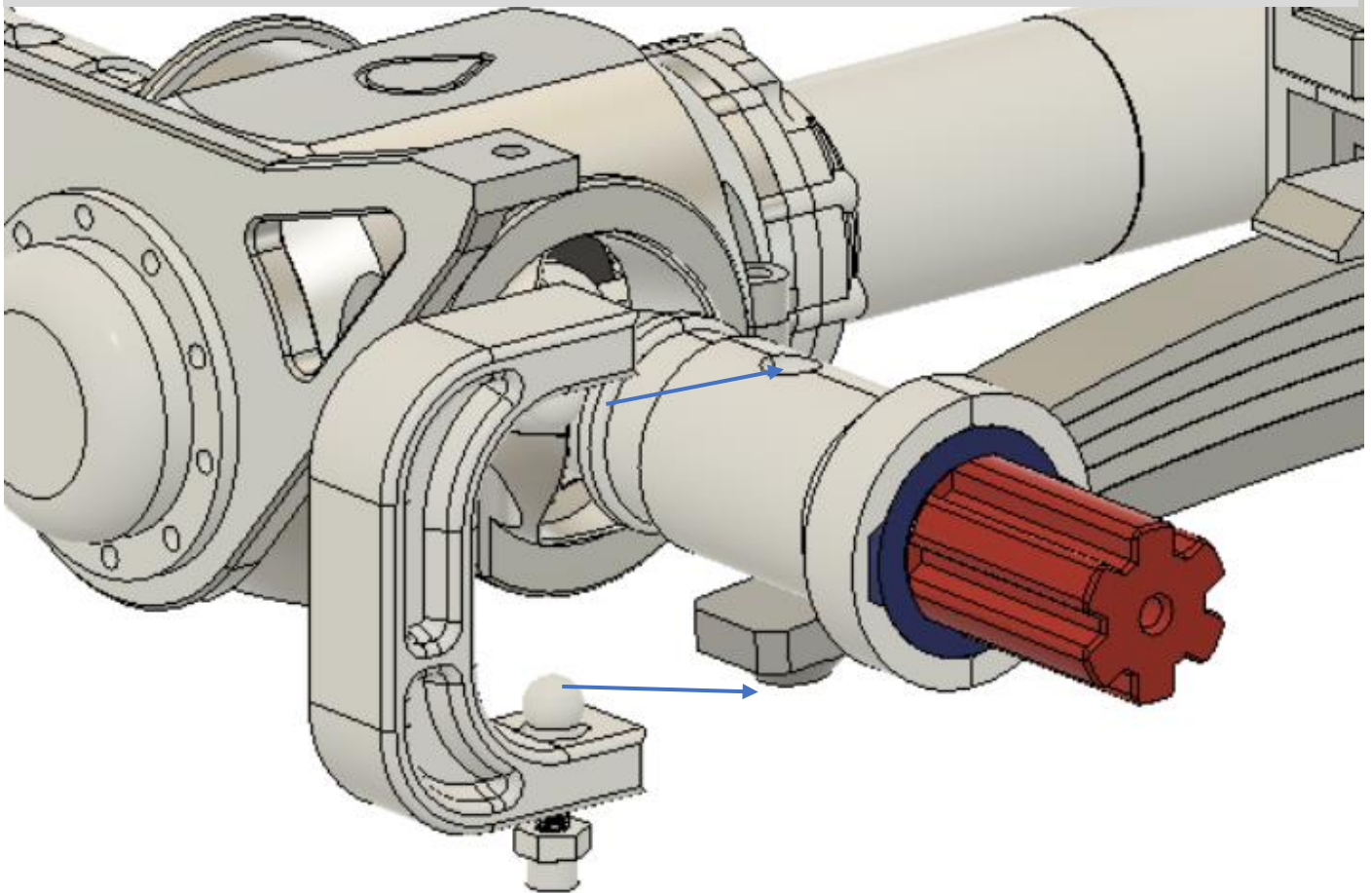
RearSuspension



Screw parts 18 onto the screws. They are tiny parts, so you can help yourself carefully with pliers. When the parts are firmly held by the screws, loosen the screws as shown in the following figure.



RearSuspension

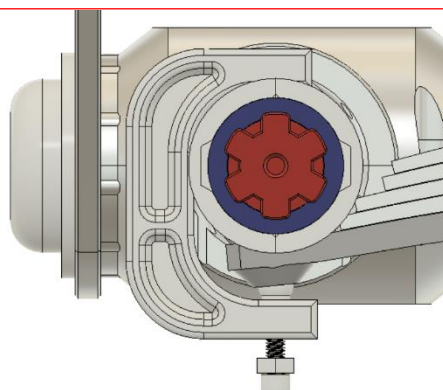


Fit "C" (part 13, 15. Hereinafter referred to as "C"). First, fit the top ball into the hole on the half axle. Press the leaf spring against the semi-axis. You have to get the bottom ball into the hole in the leaf springs. Put all 4 "C"s in their places one by one like this.

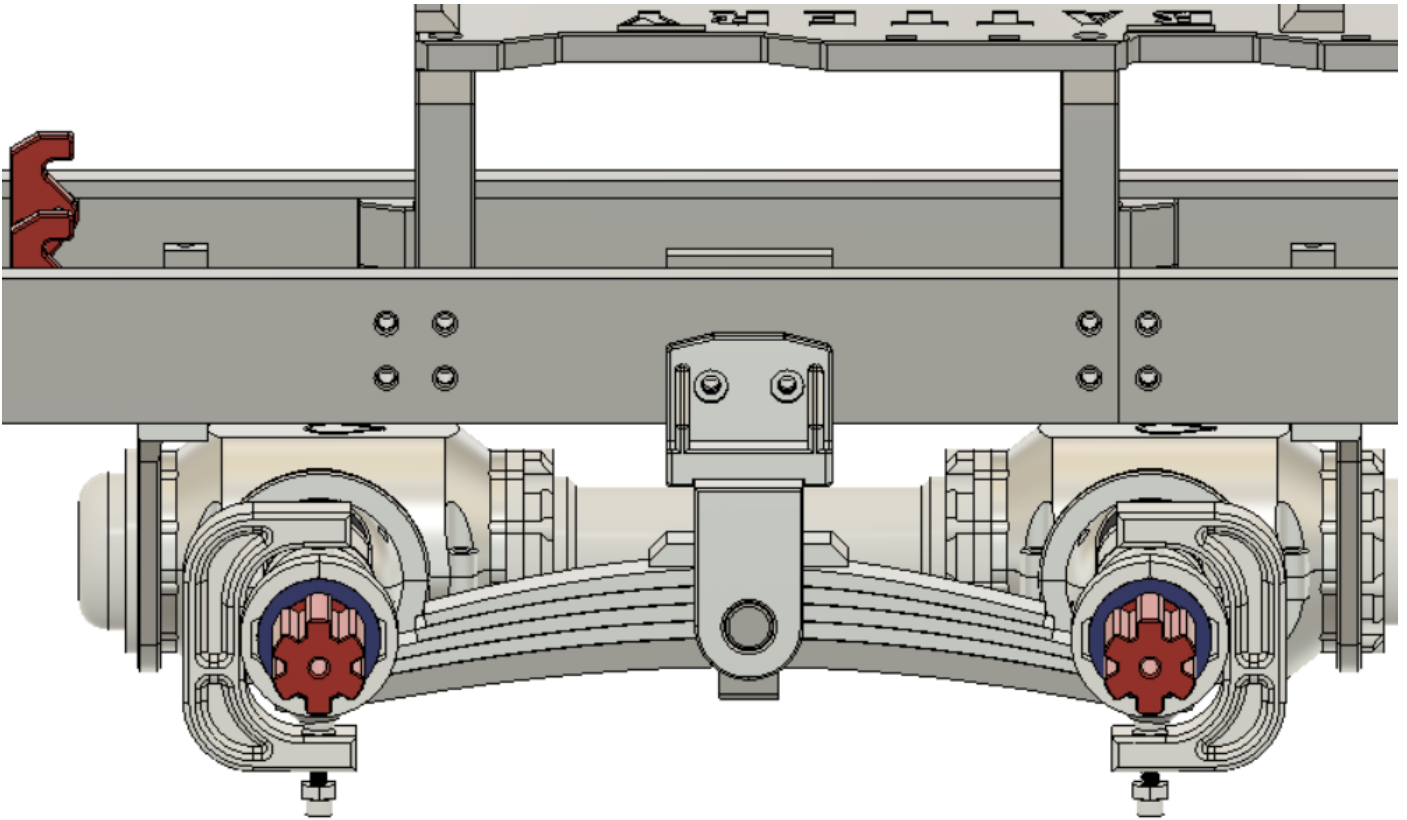
Then gradually tighten the M3 screws so that "C" does not fall out of its own accord, but that the half-axis swing is maintained as much as possible. If you tighten the screws too much, you will limit the swing of the semi-axis, if not enough, "C" will fall out by itself in a certain position.

When you find the correct position of the screws, butt the M3 nuts against each other.

Try the half axis swing again.

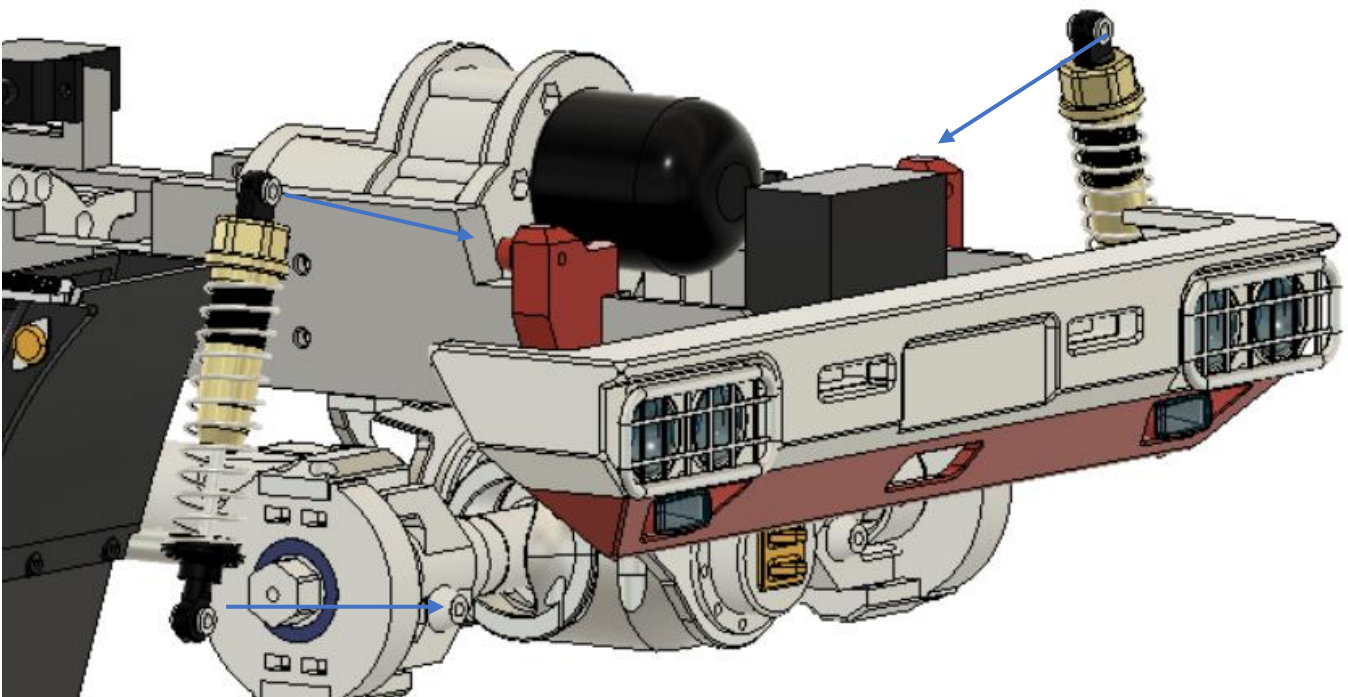


RearSuspension

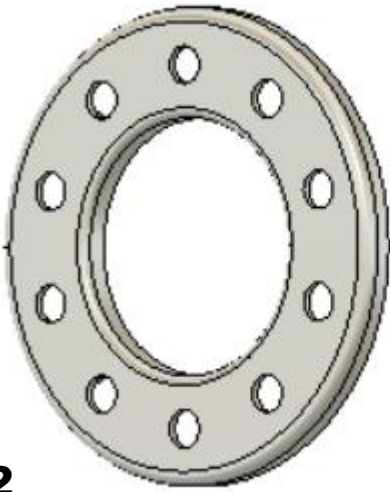


FrontSuspension

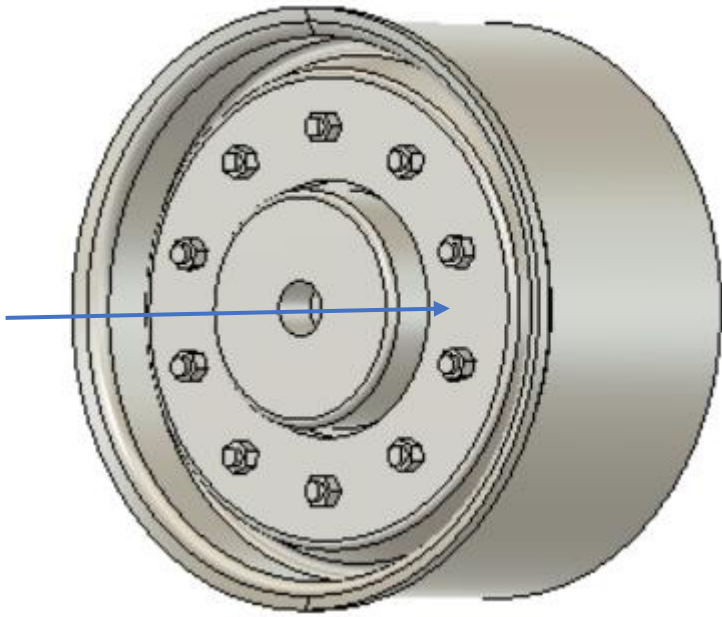
Screw the front dampers into place with M3 screws. Do not set them in any way yet. It will be set when the whole model is finished.



Wheels

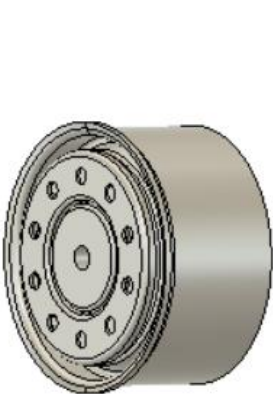


2



4x

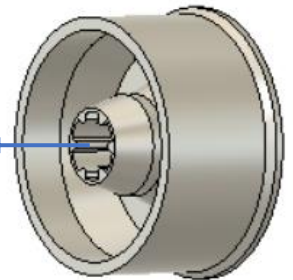
1



3



4

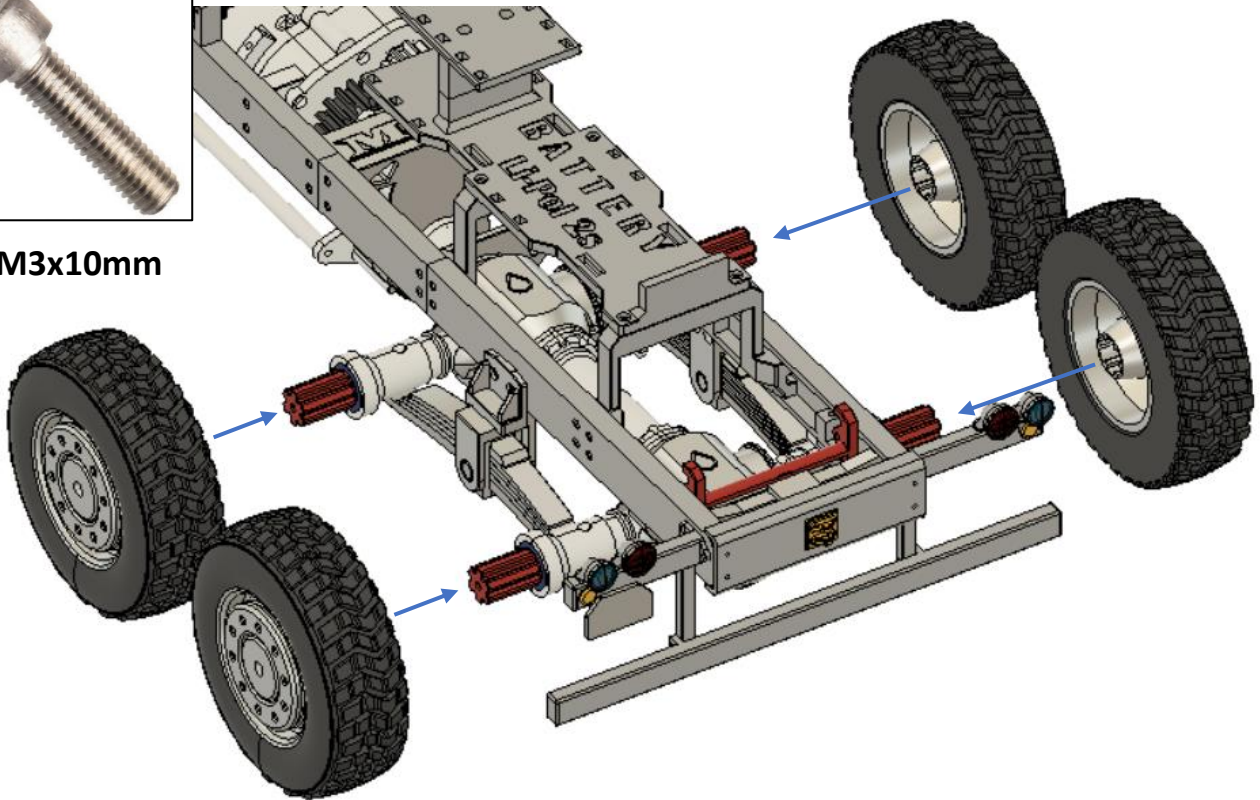


2x

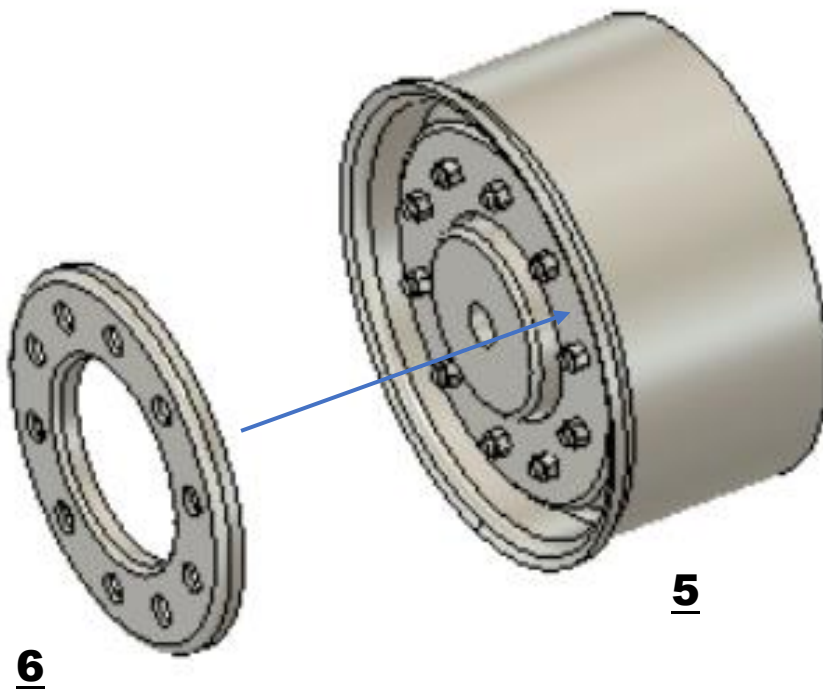
Wheels



4xM3x10mm



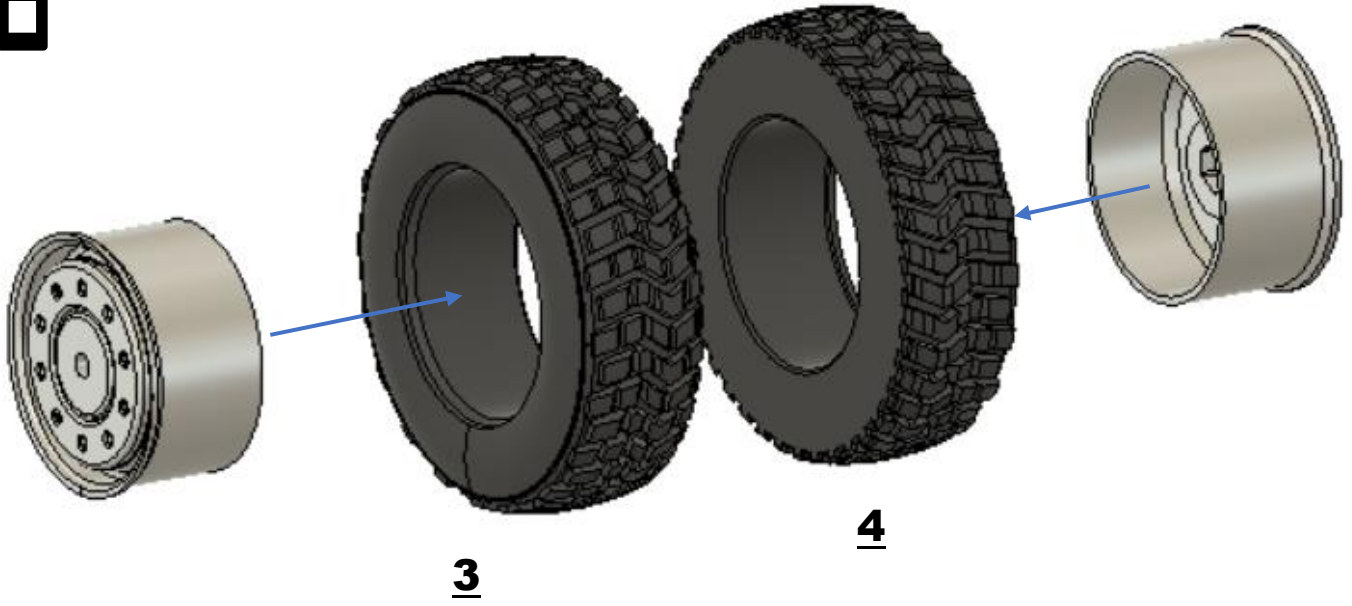
2x



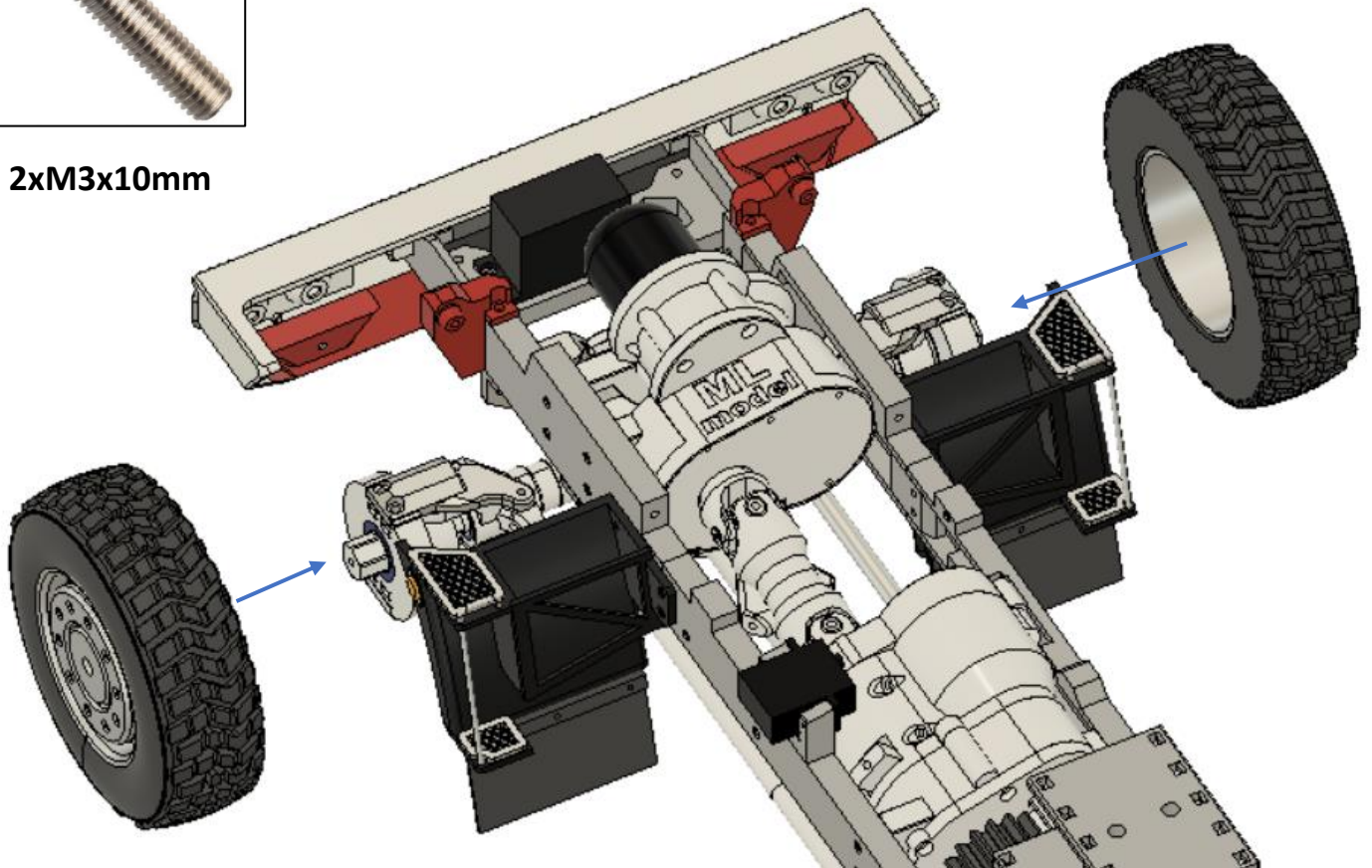
6

5

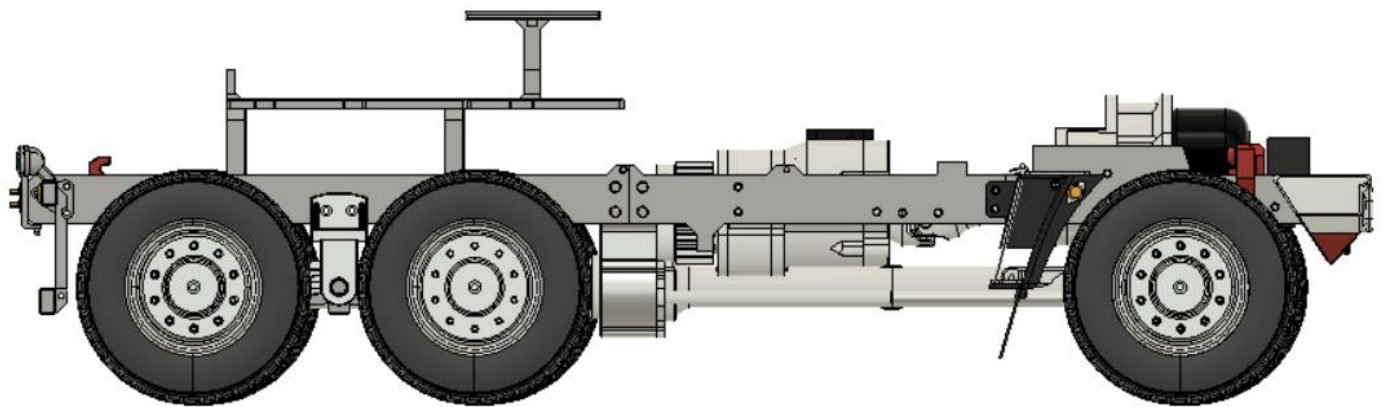
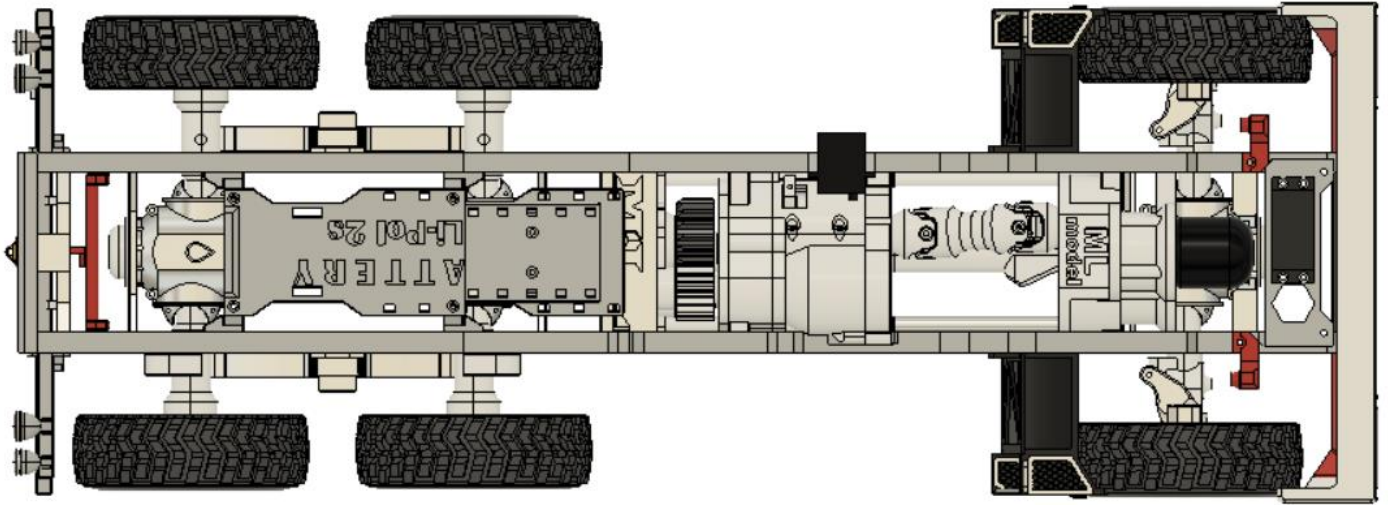
Wheels



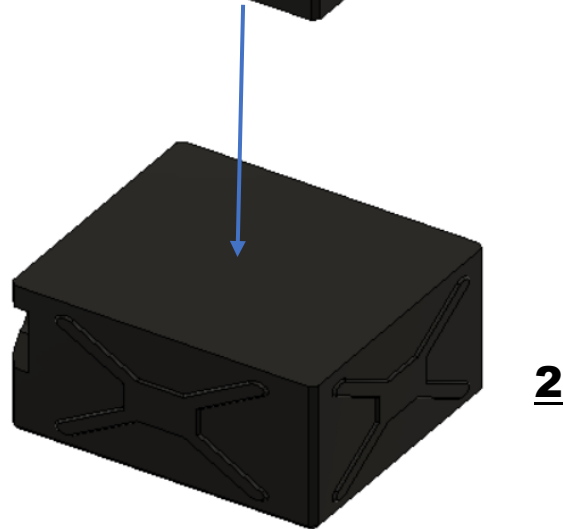
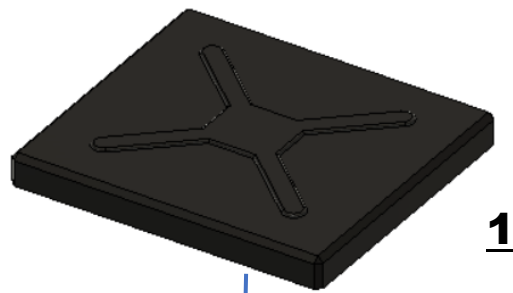
2xM3x10mm



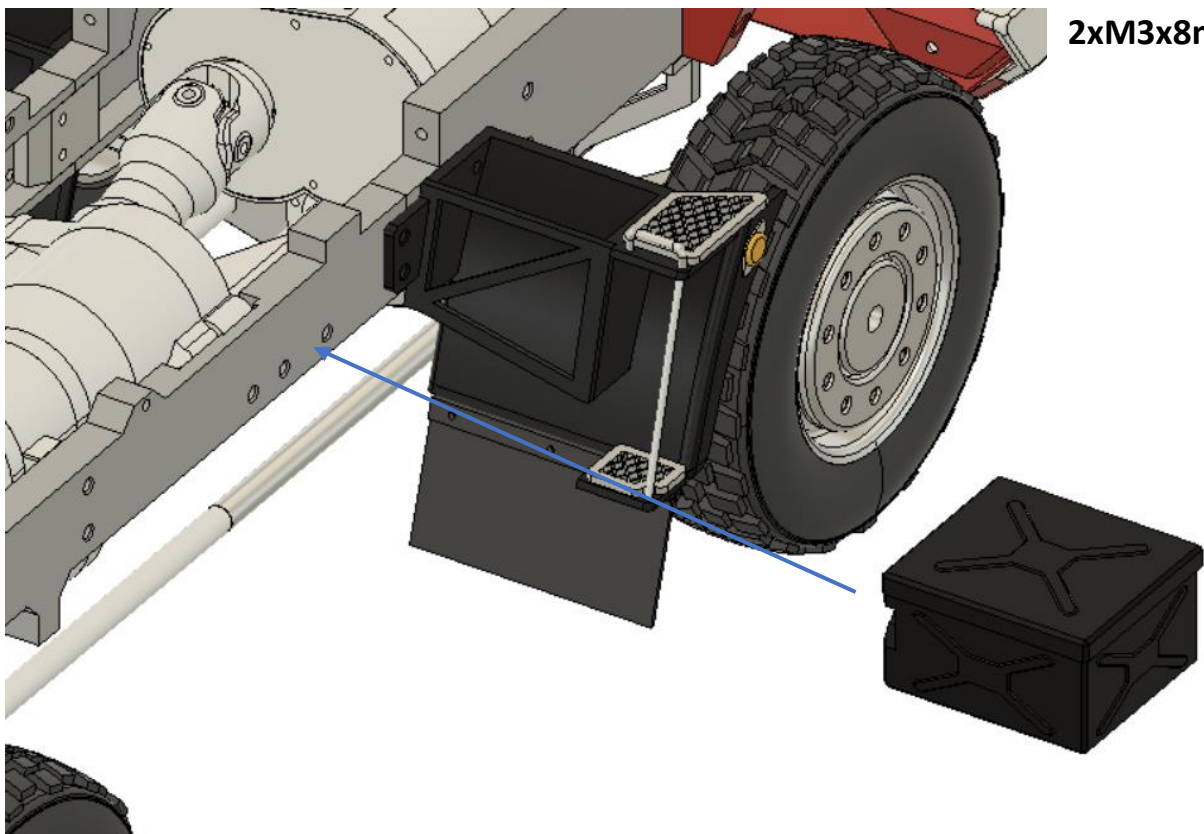
Wheels



Accessories



2xM3x8mm

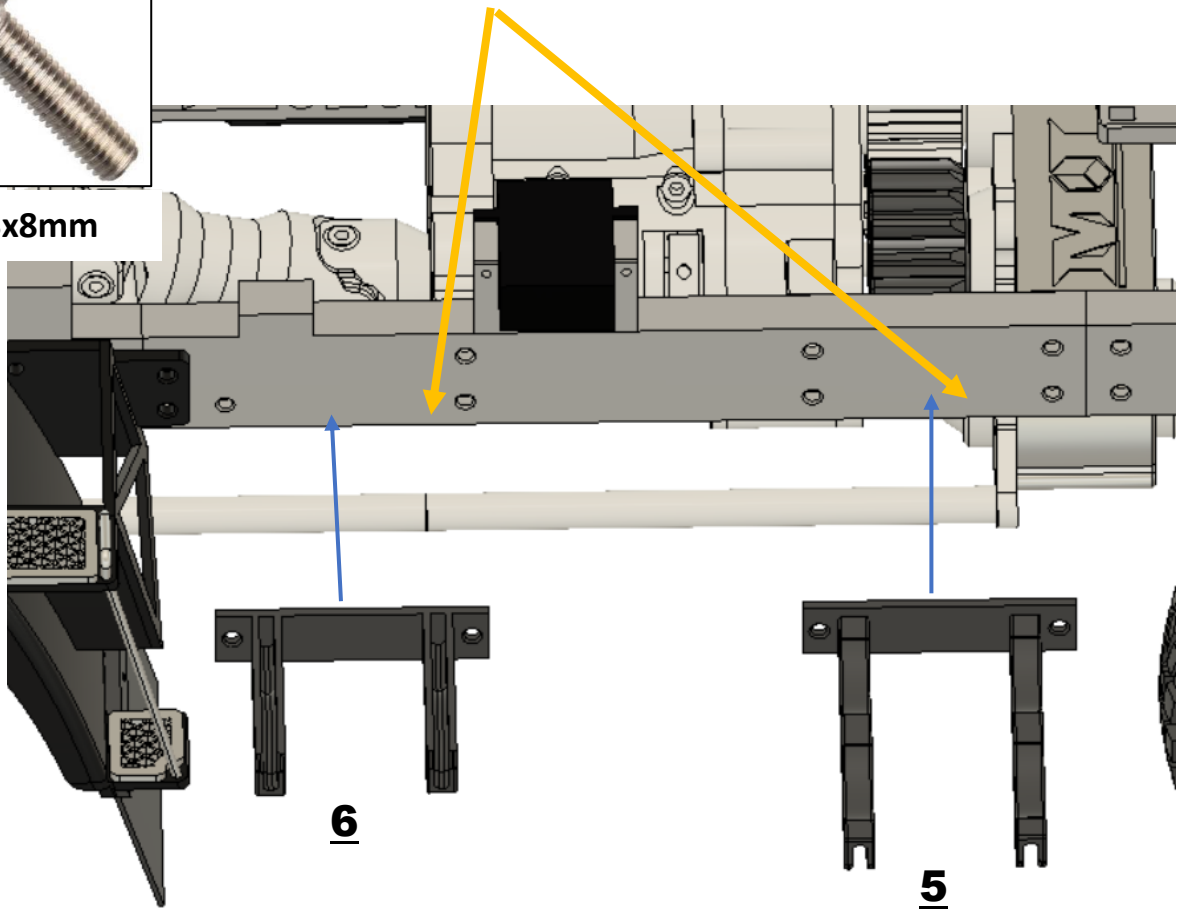


Accessories

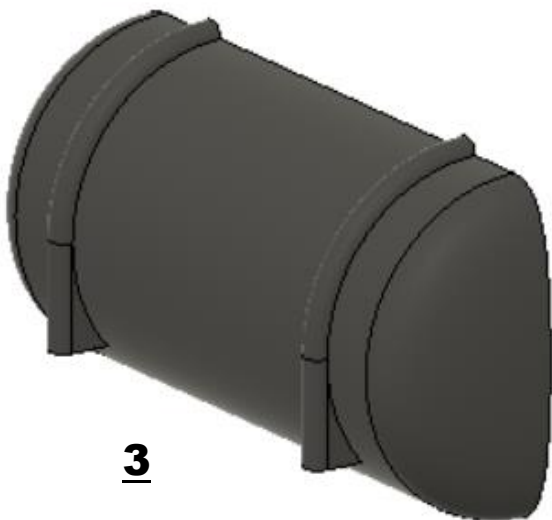
First, unscrew the M3 screws and use them to screw them on.



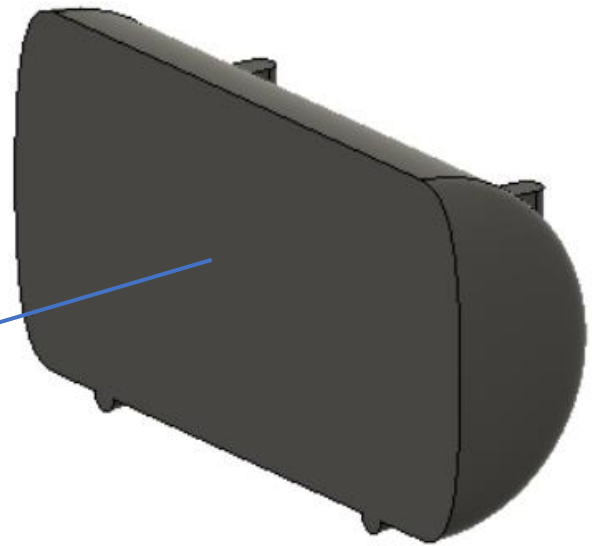
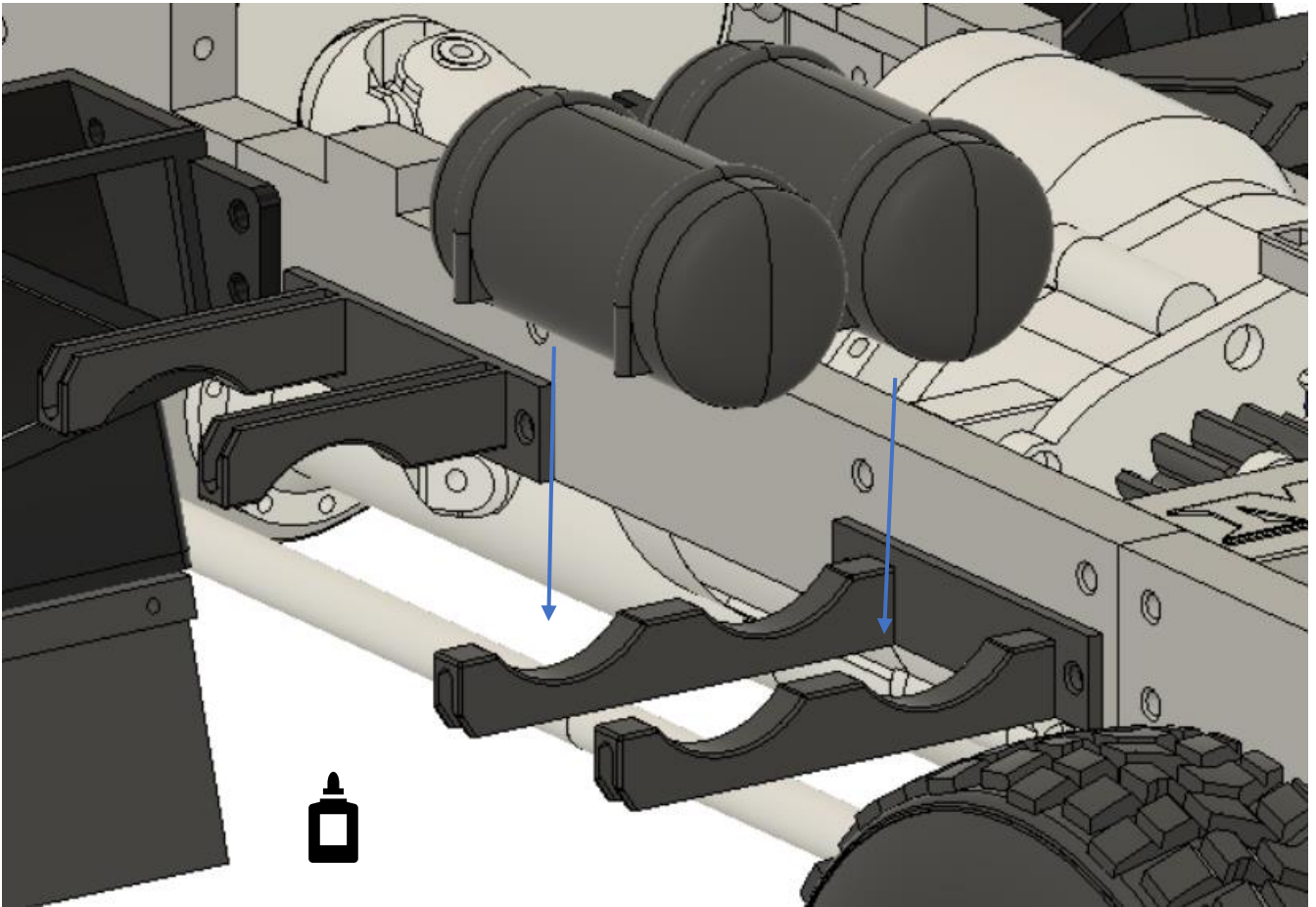
1xM3x8mm



2x



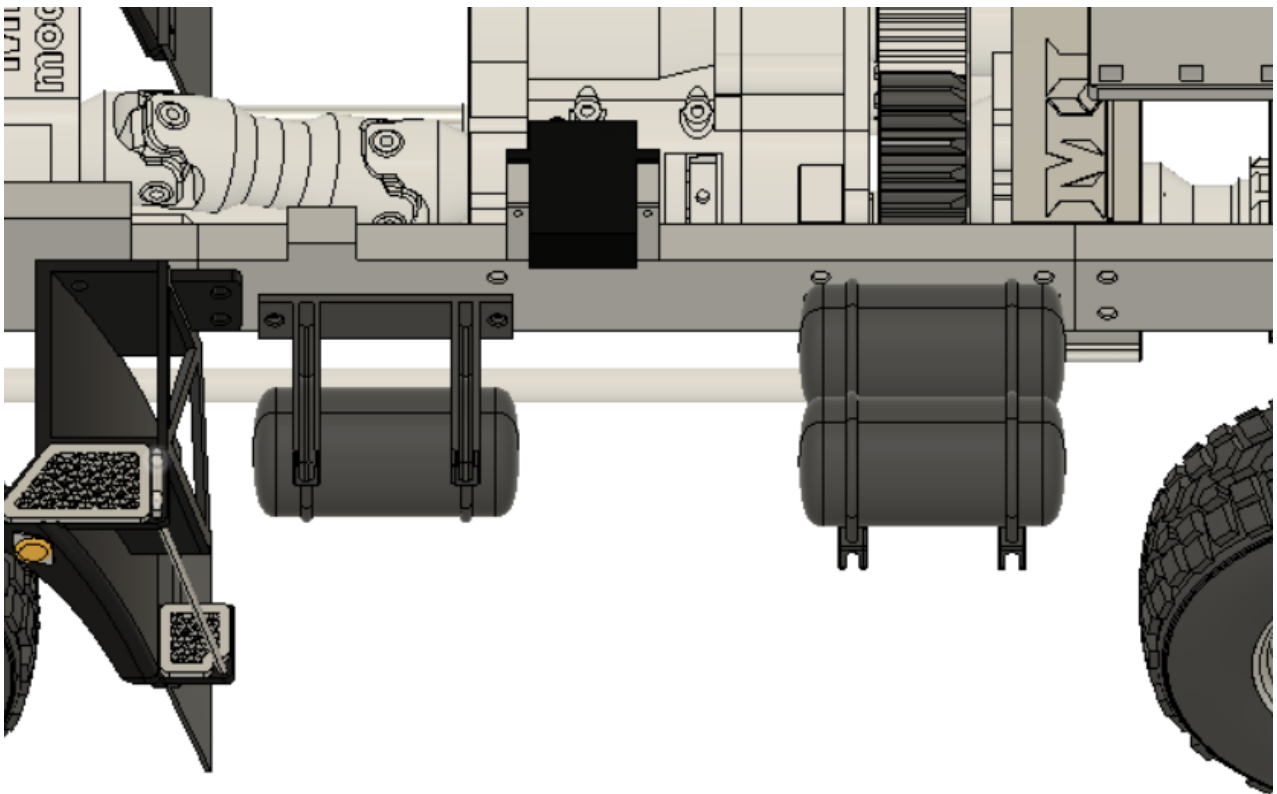
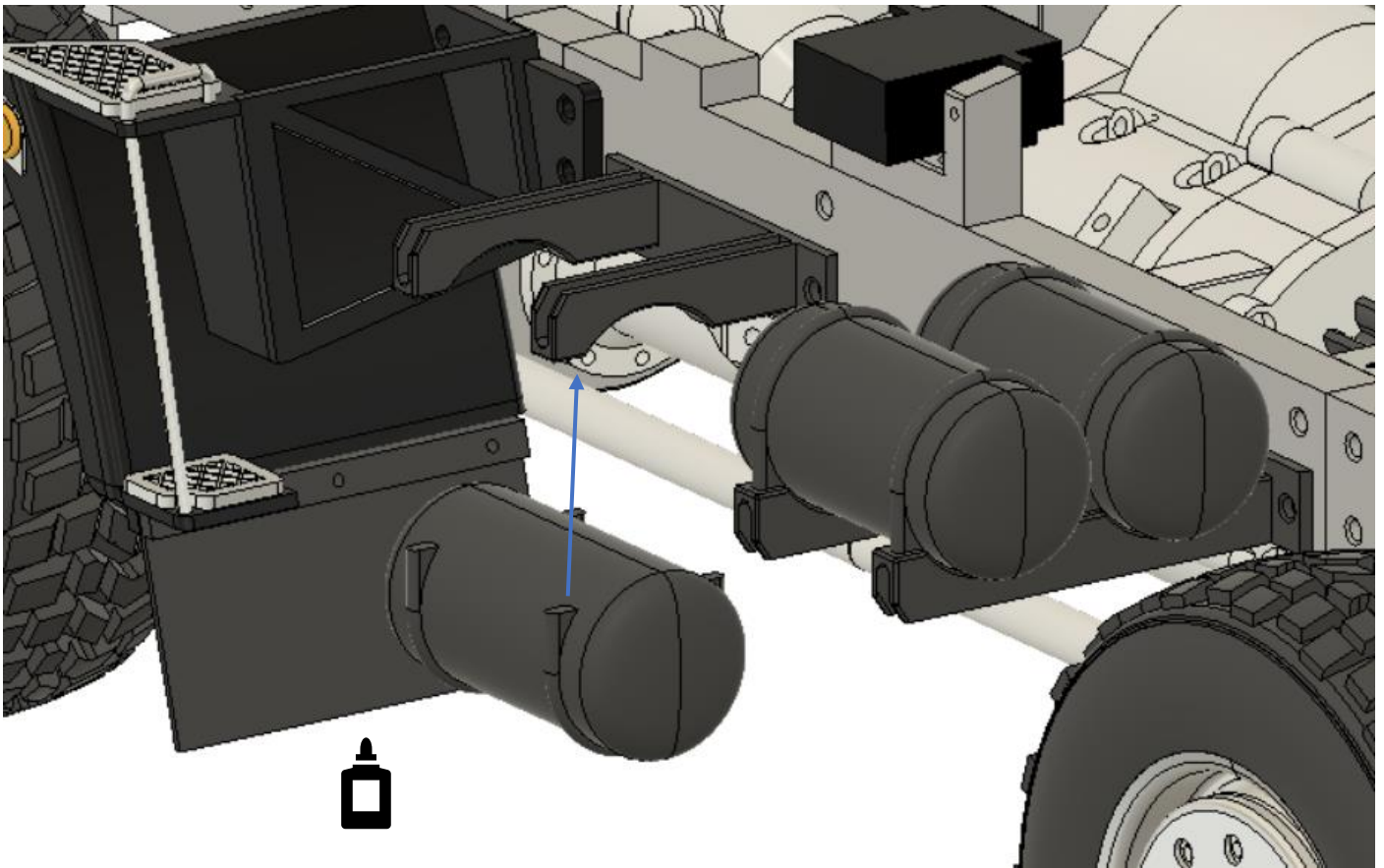
Accessories



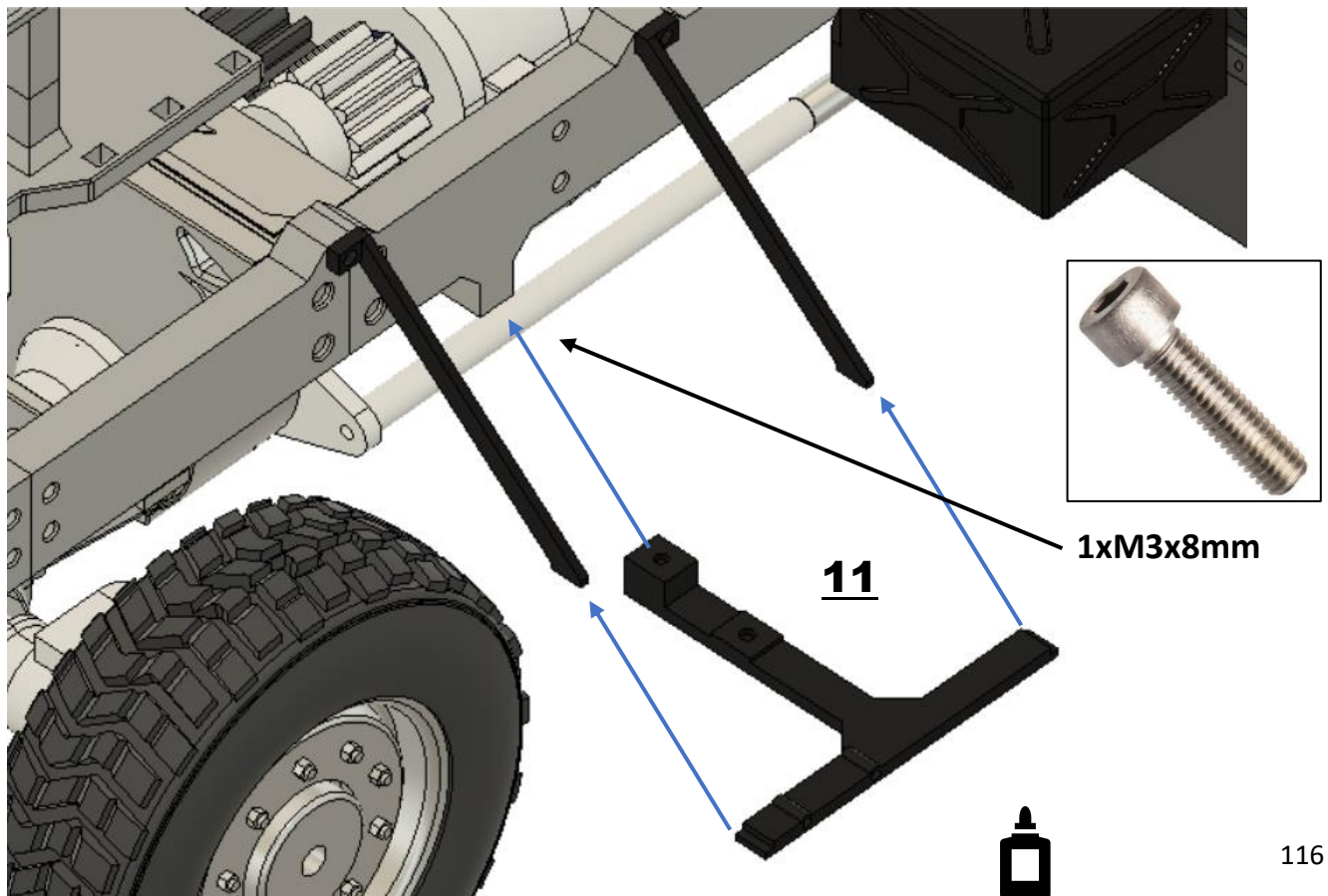
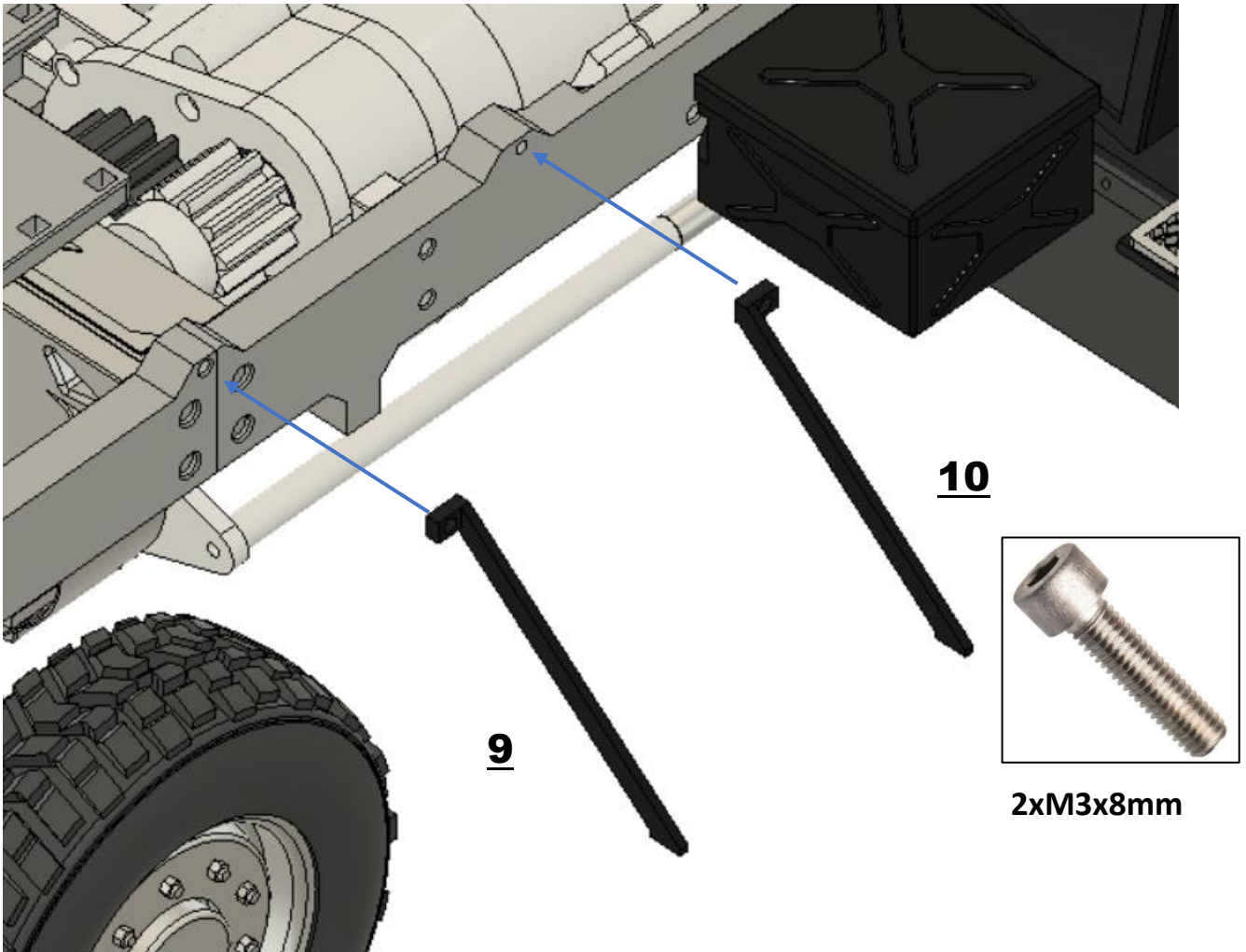
7

8

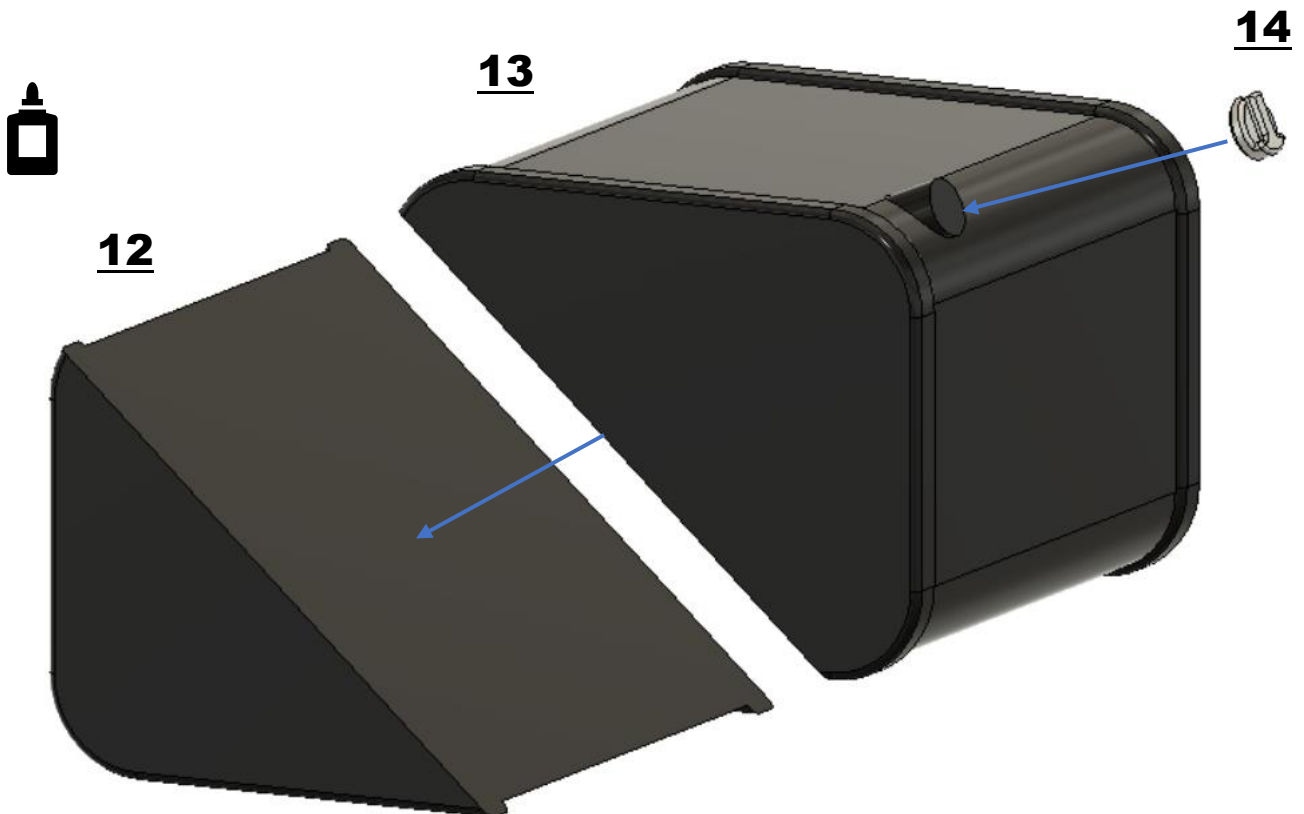
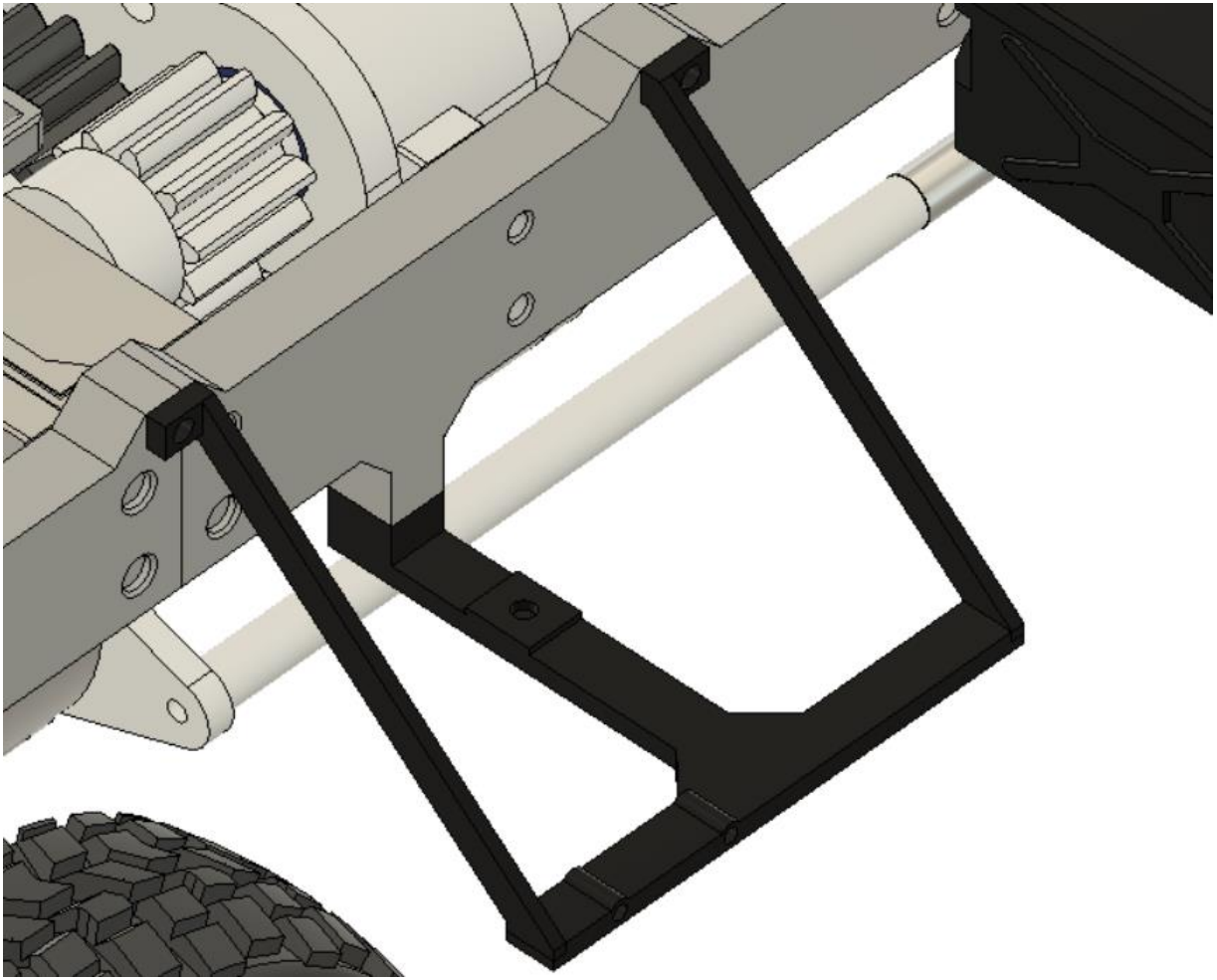
Accessories



Accessories



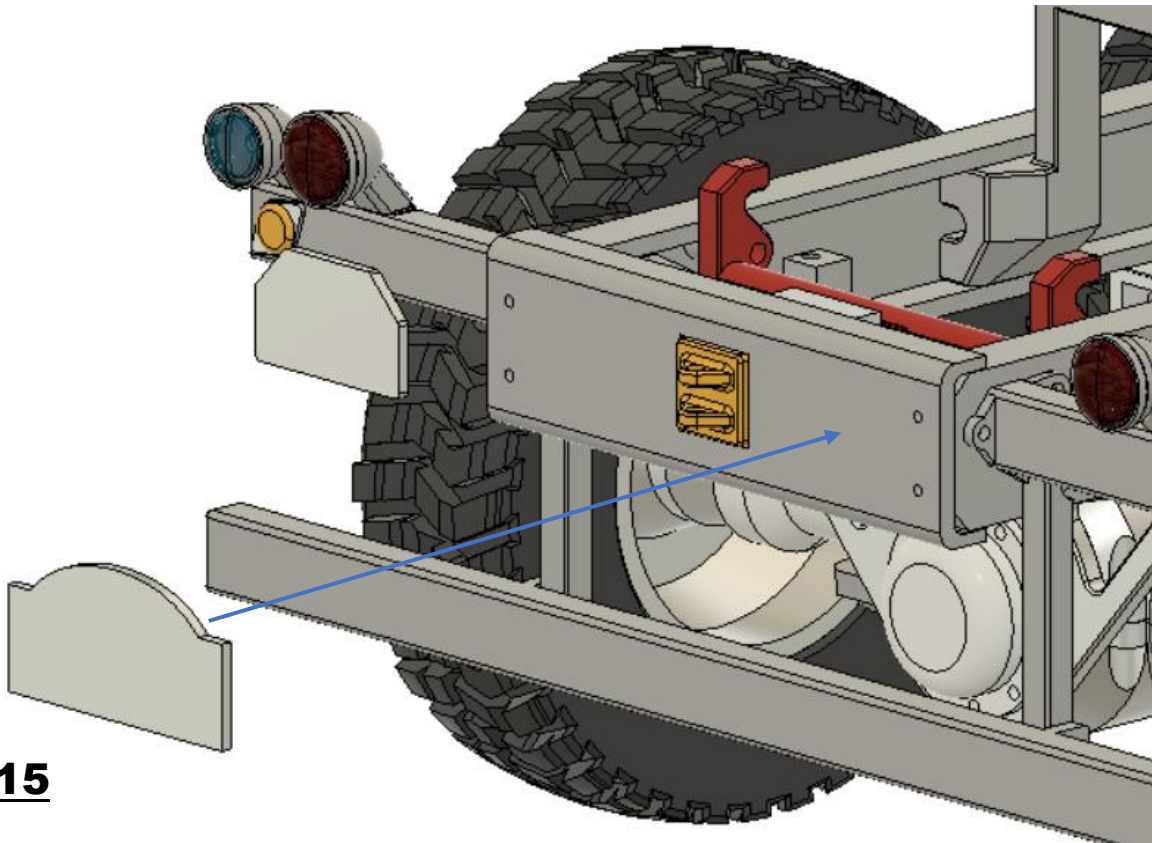
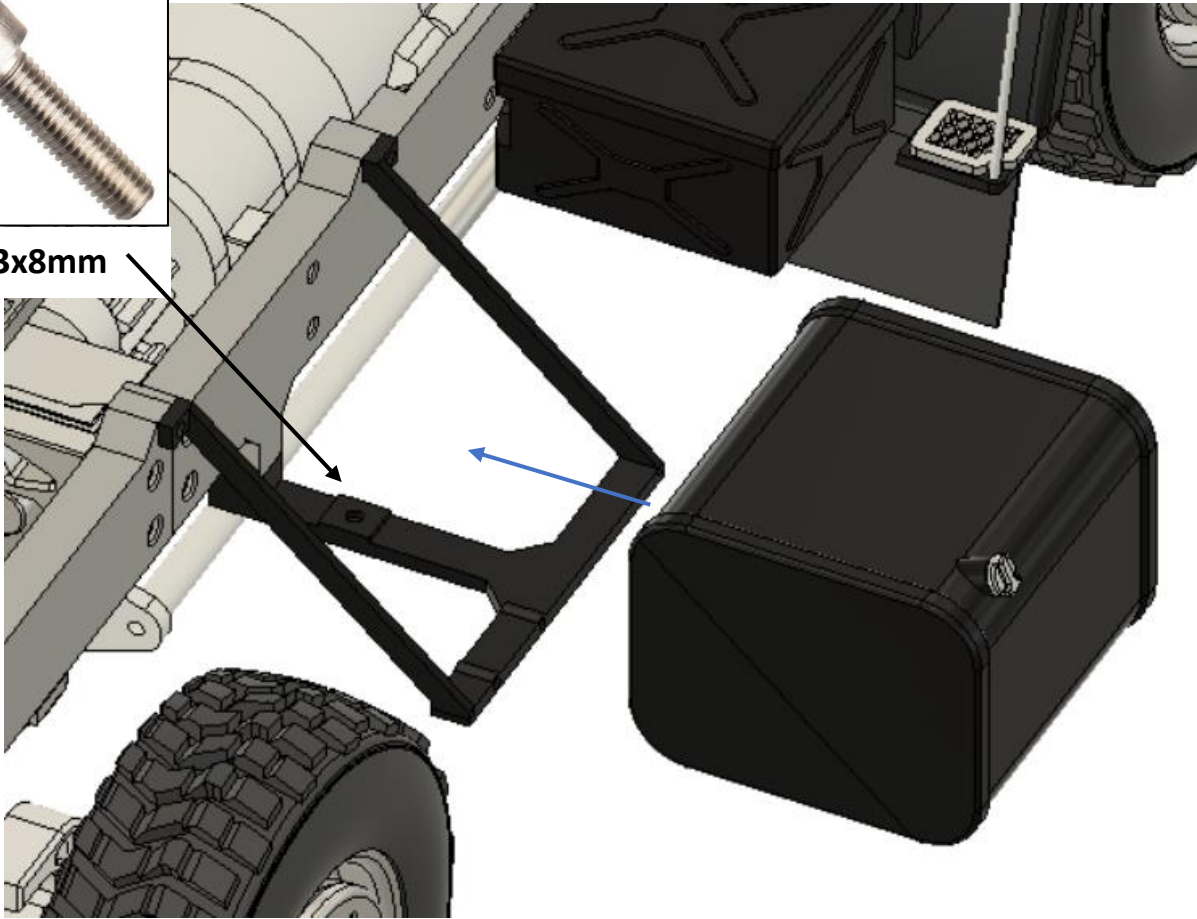
Accessories



Accessories



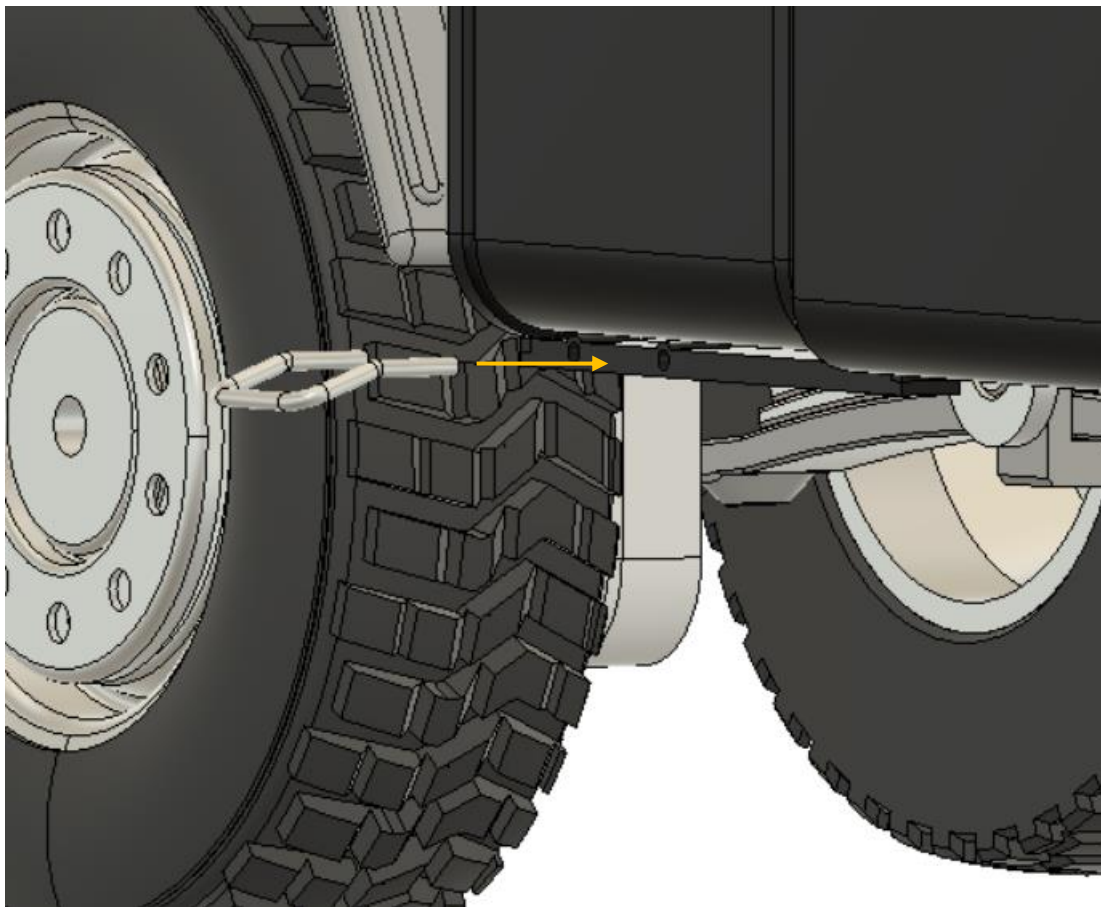
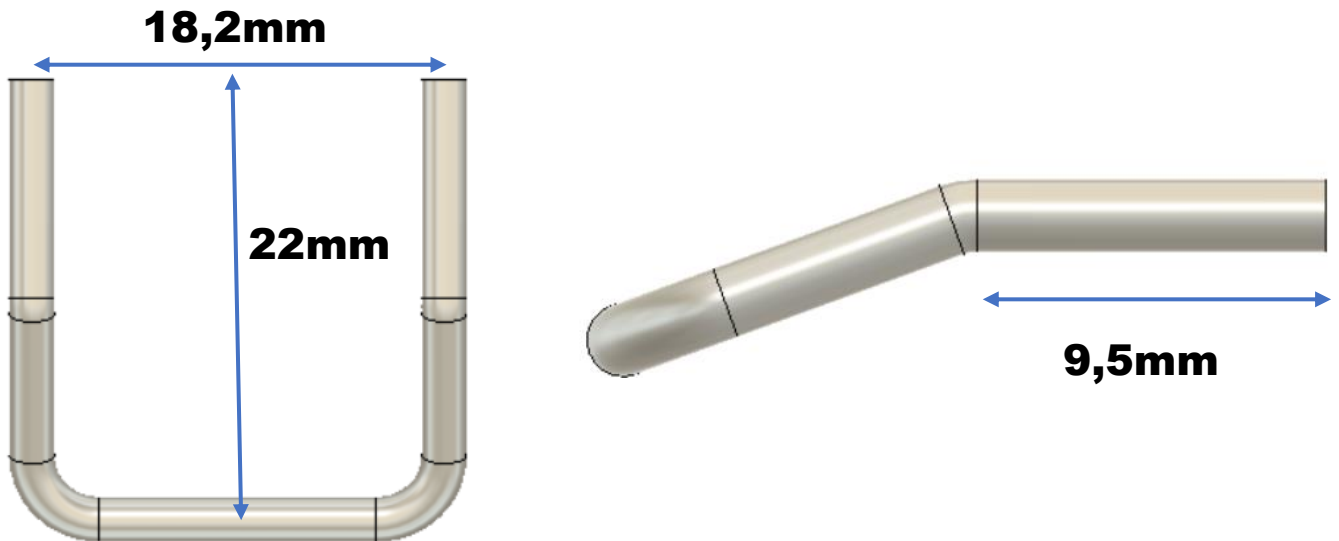
1xM3x8mm



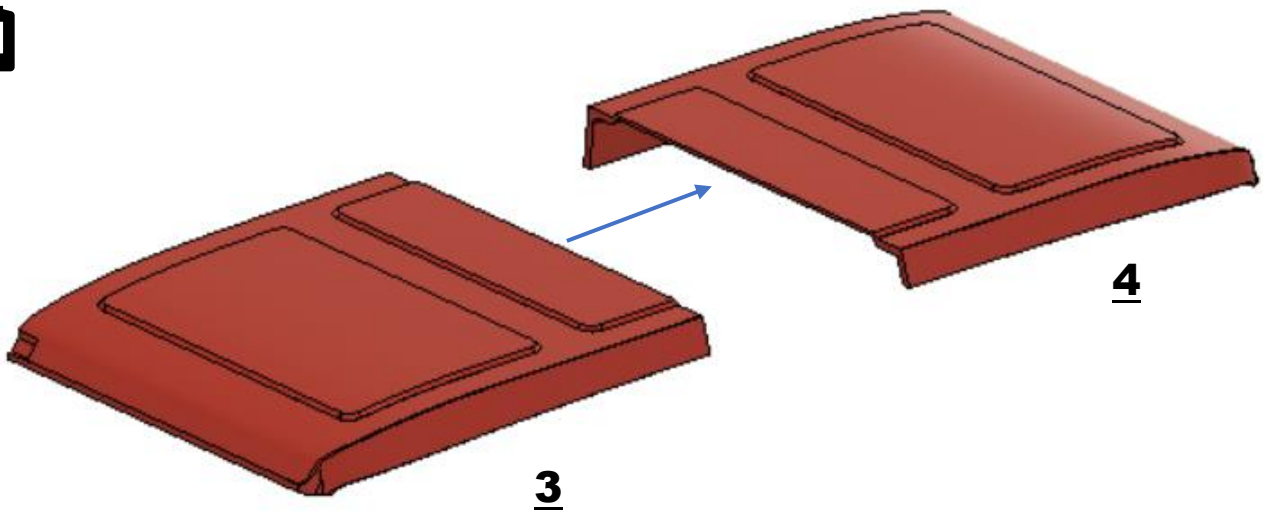
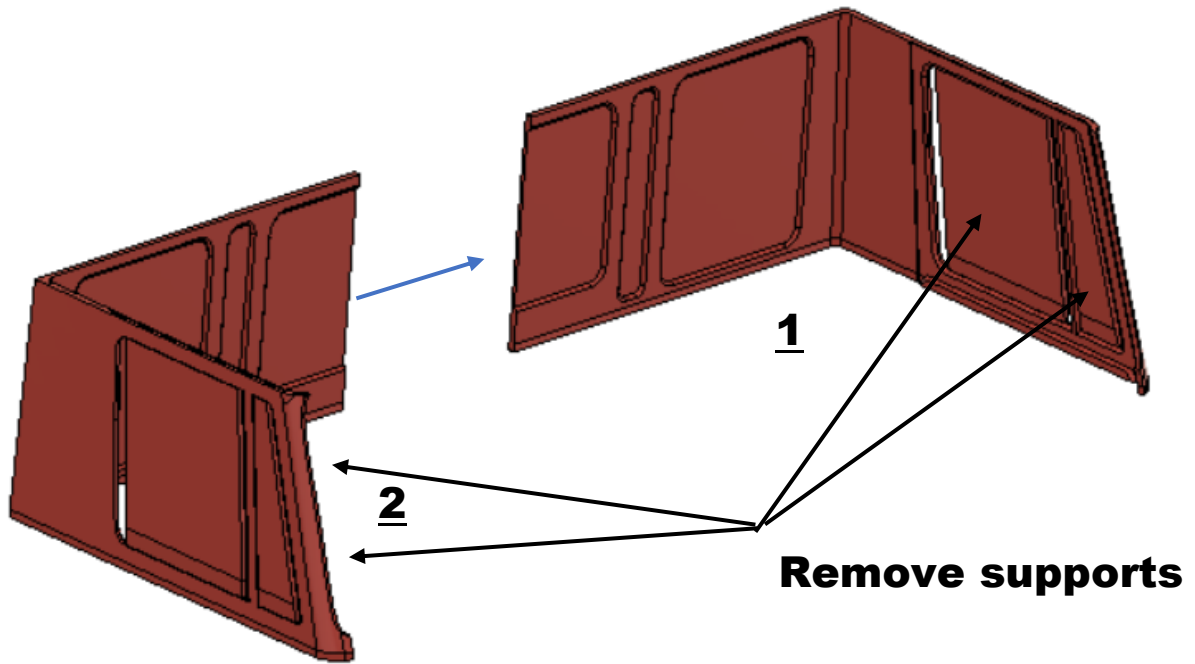
15

Accessories

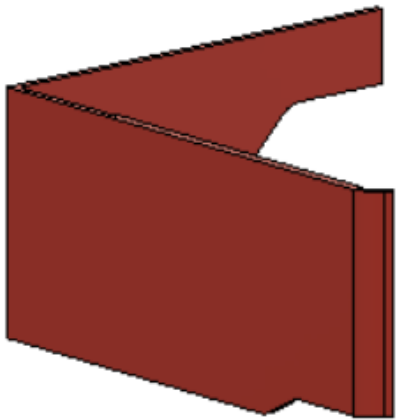
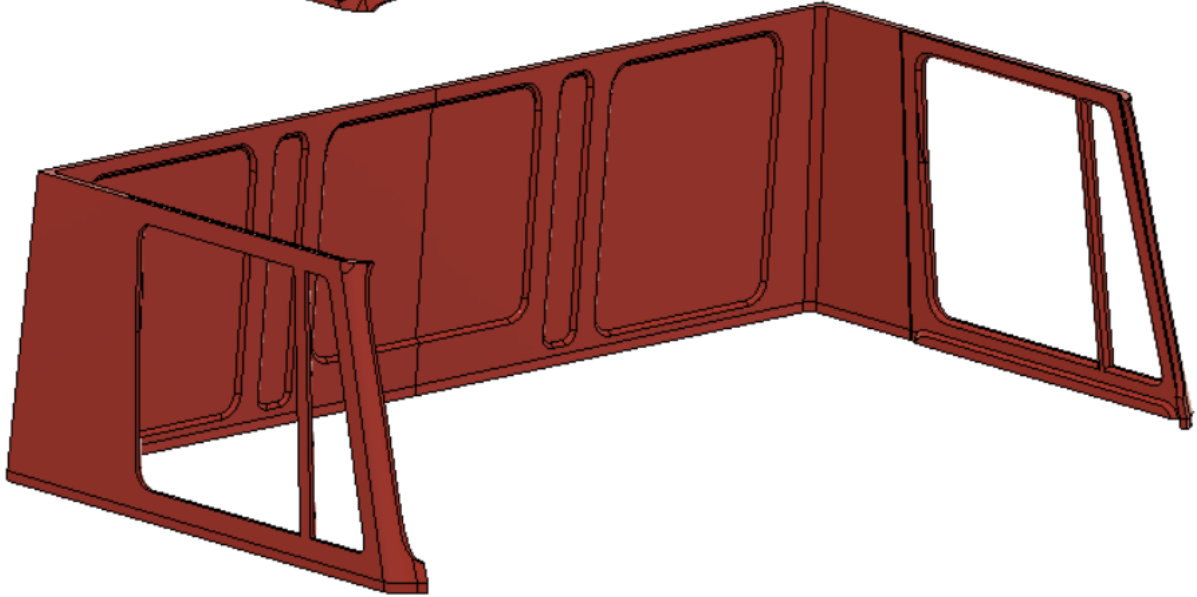
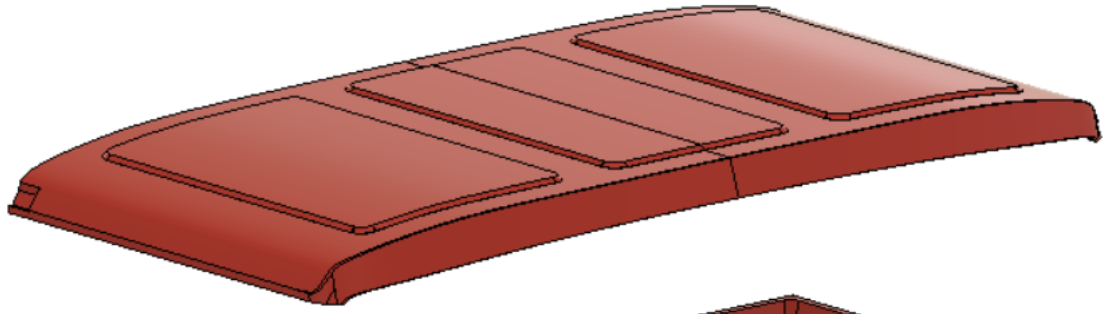
Brass wire 2mm



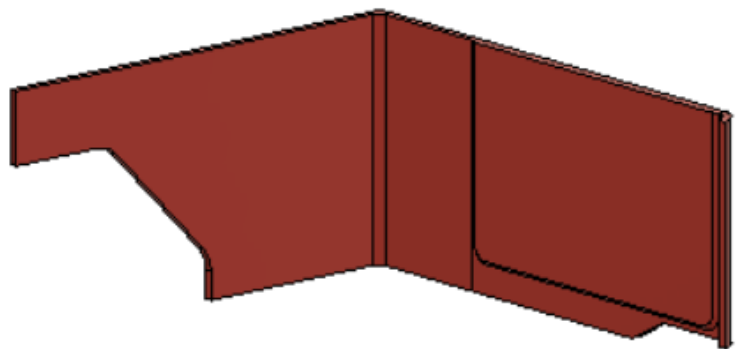
Interior



Interior

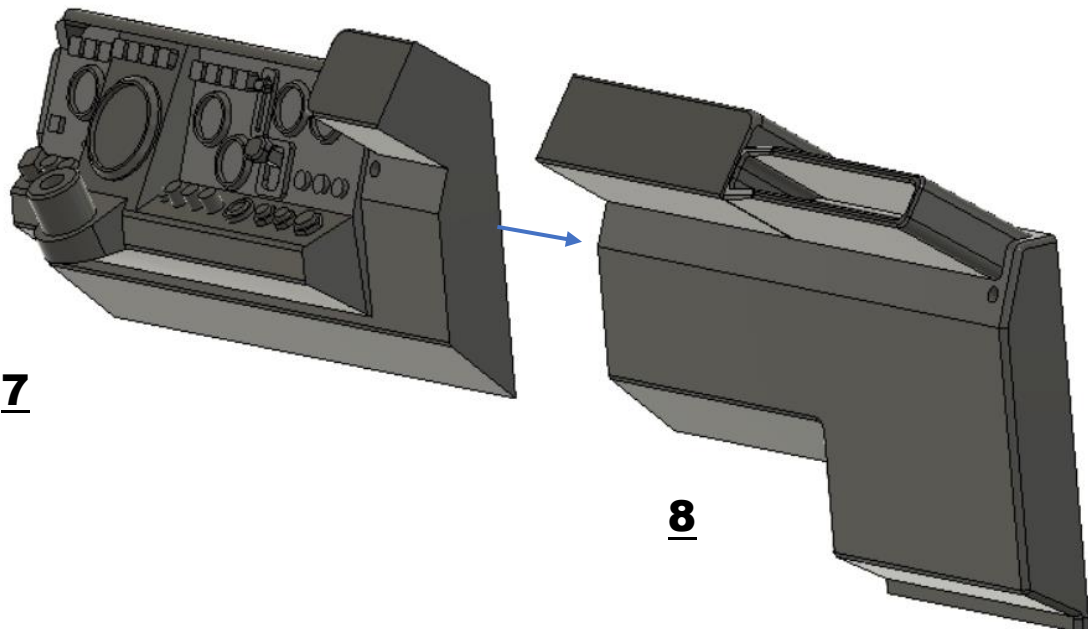
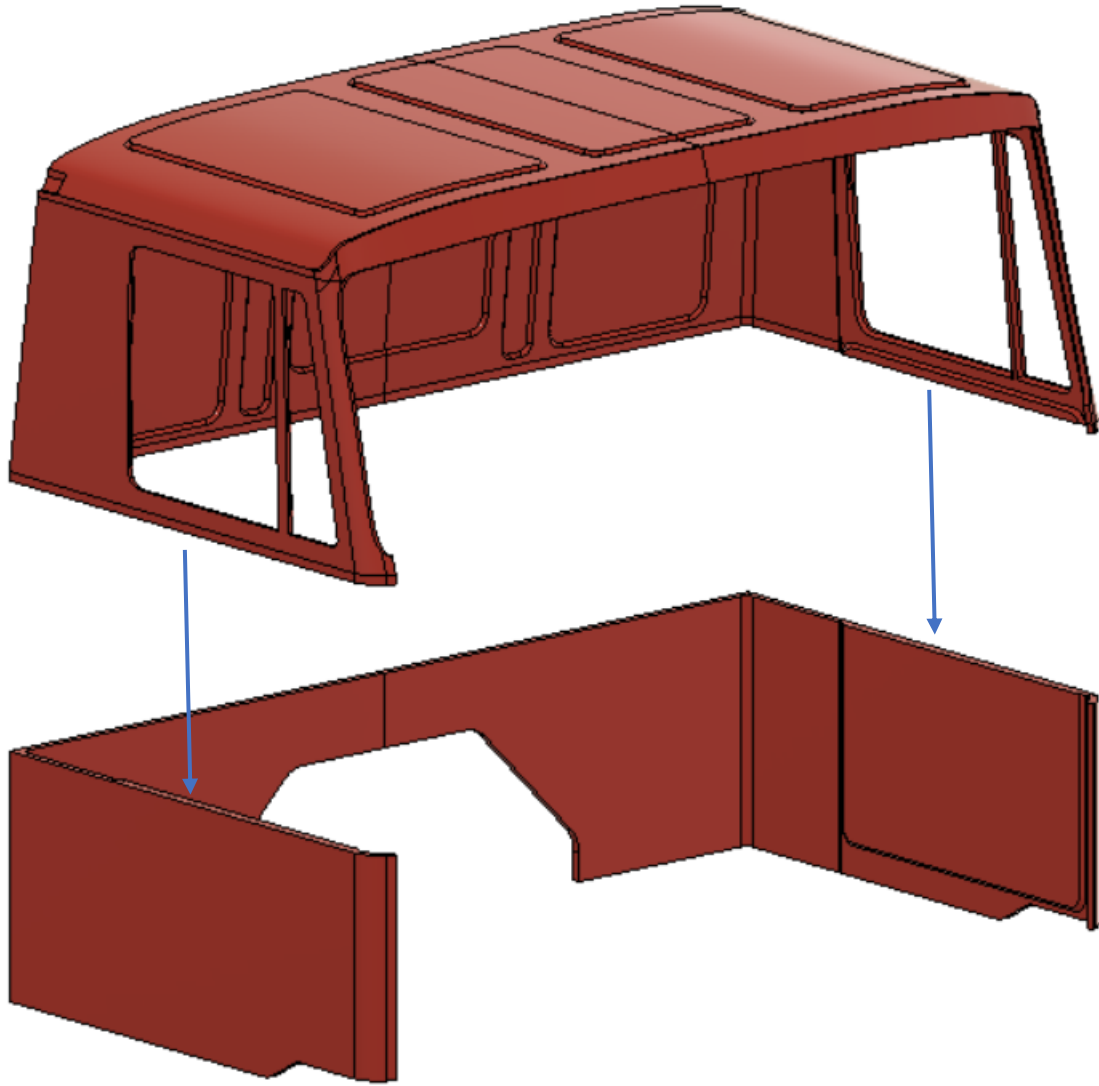


5

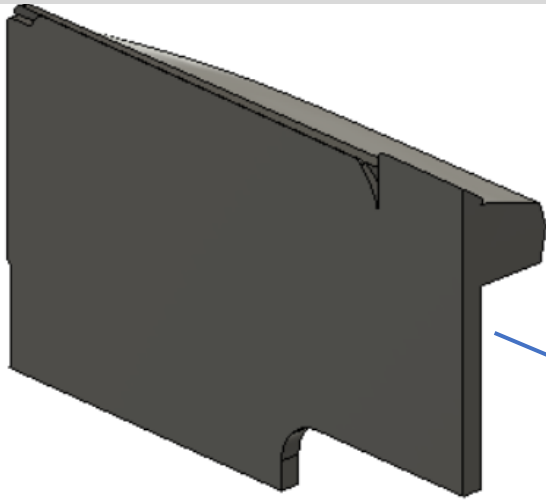


6

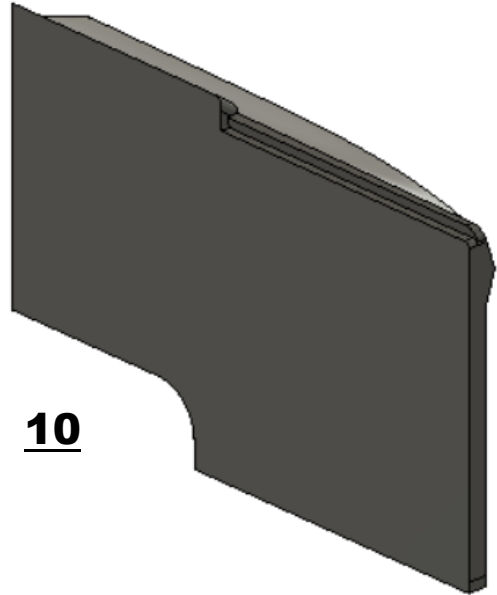
Interior



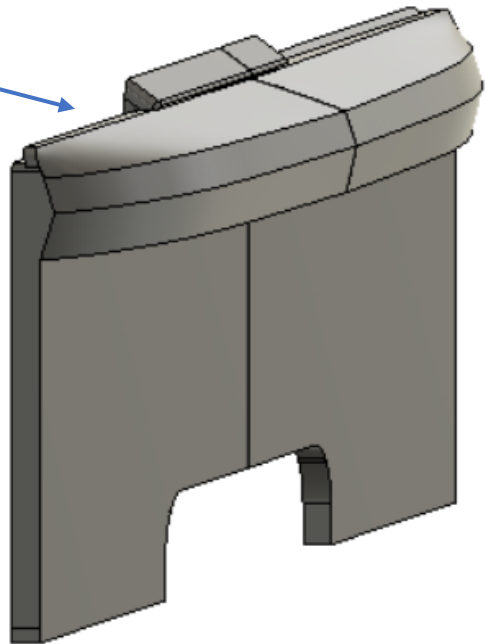
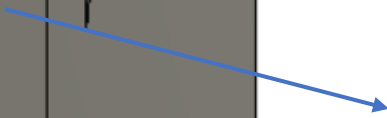
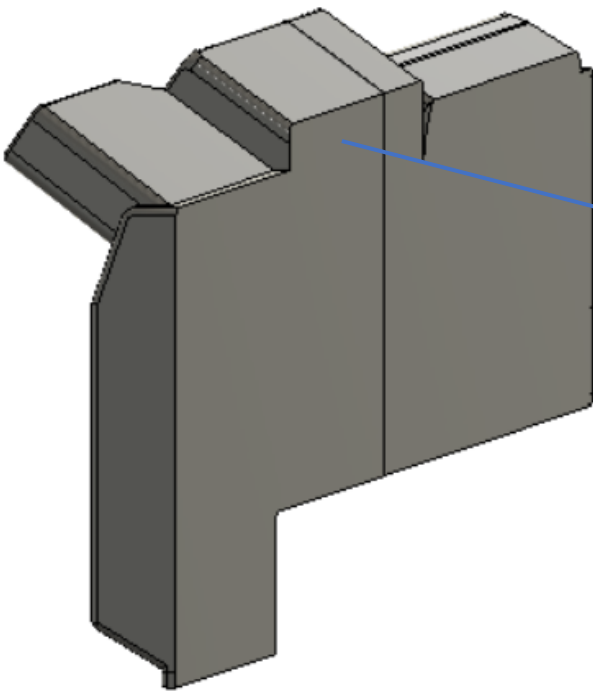
Interior



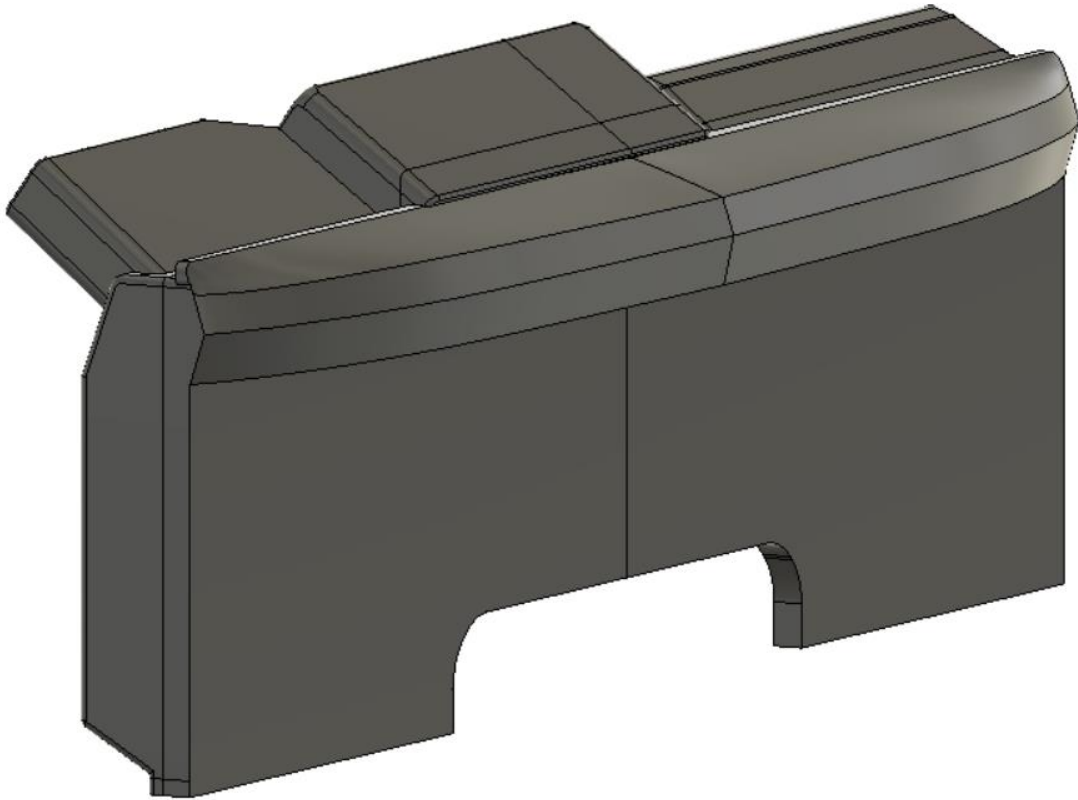
9



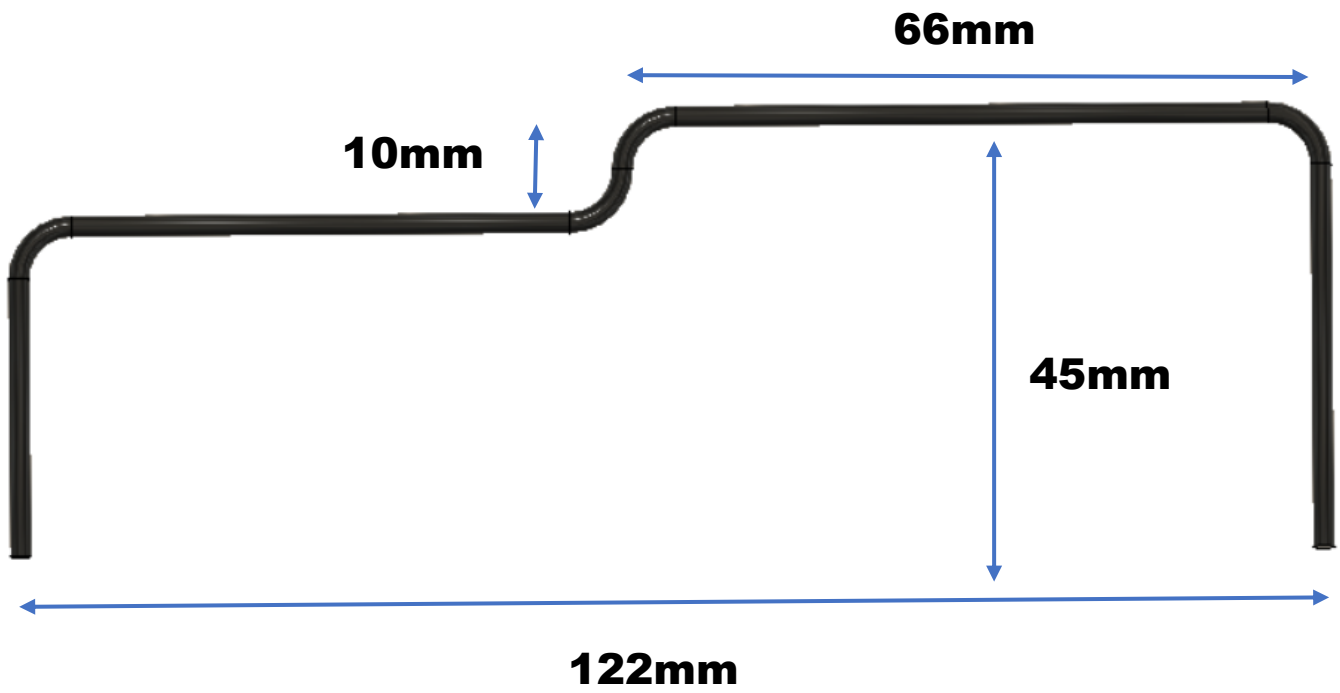
10



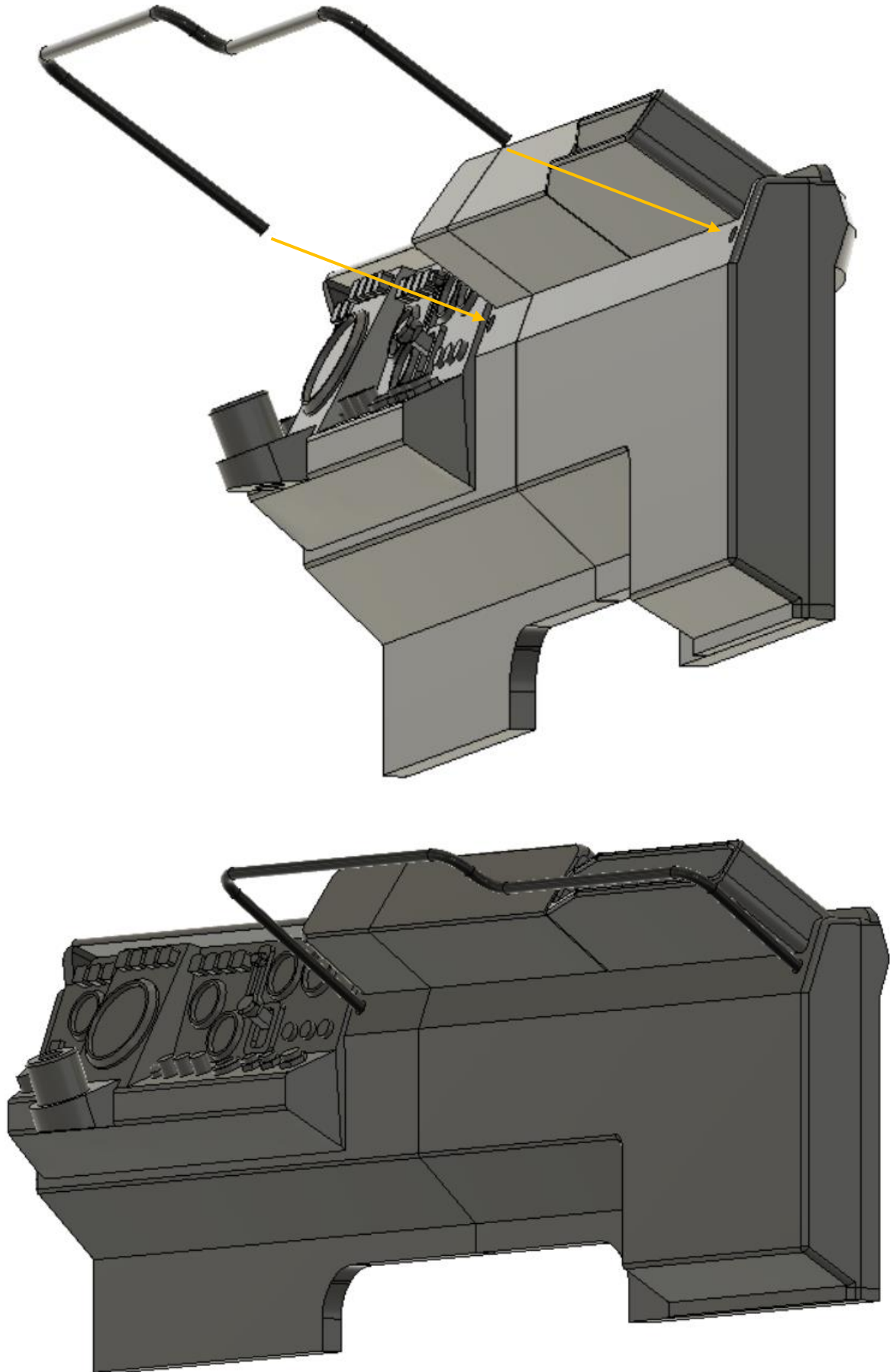
Interior



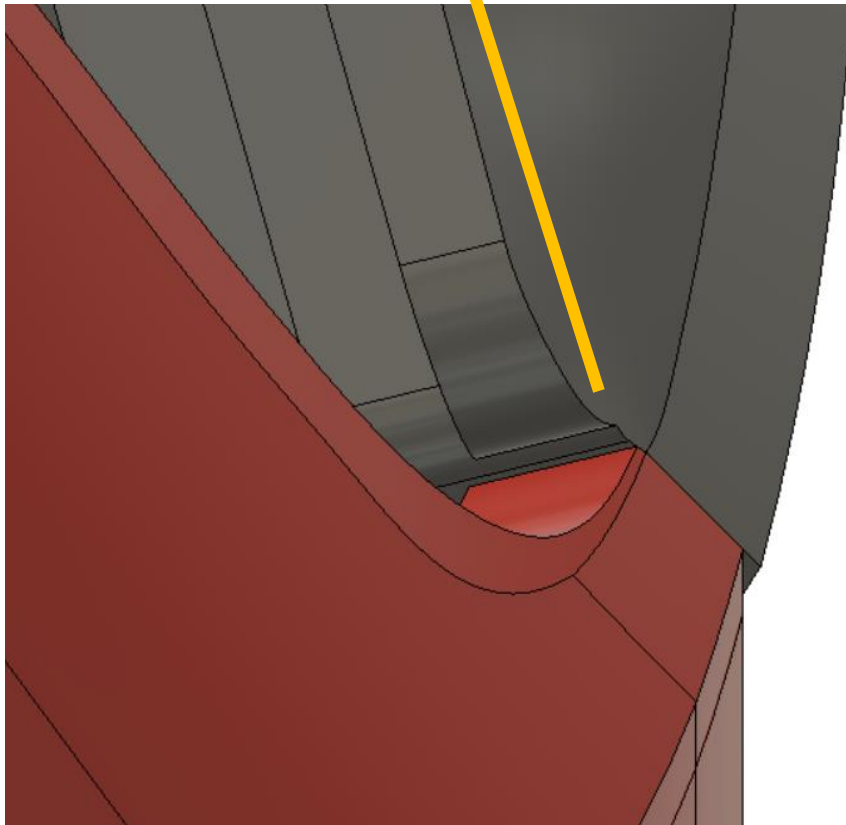
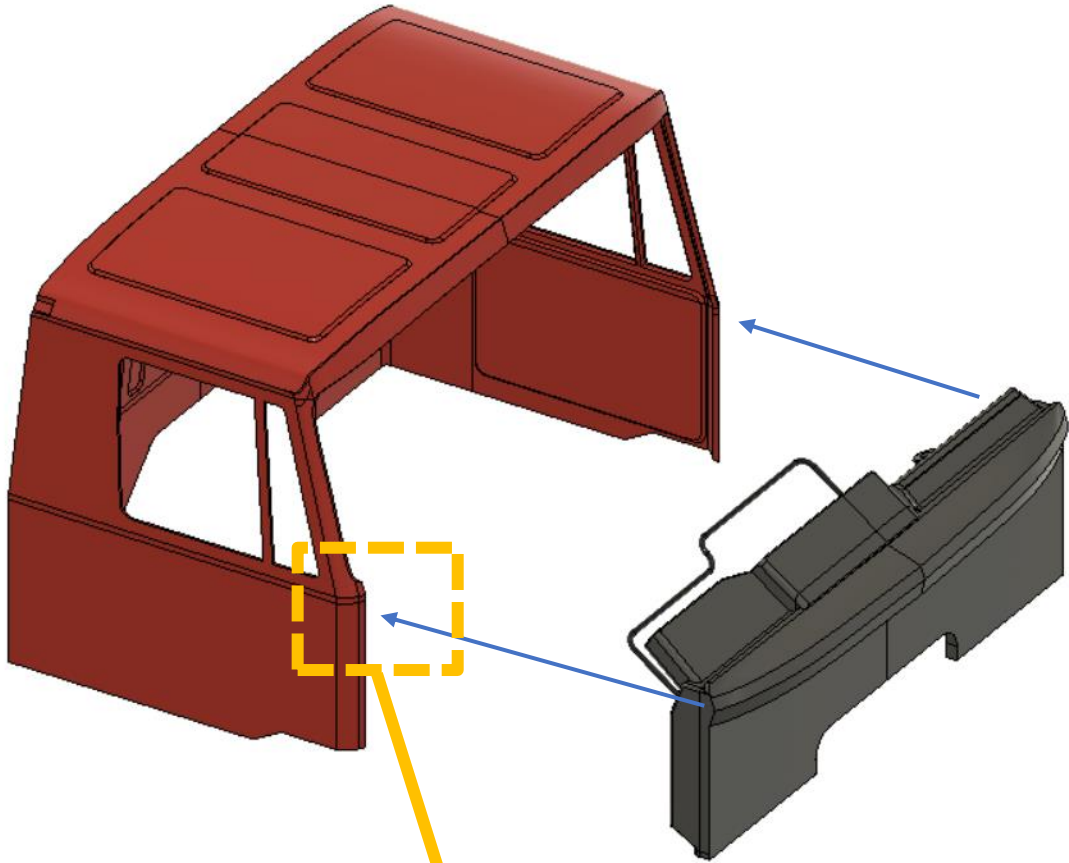
Brass wire 2mm



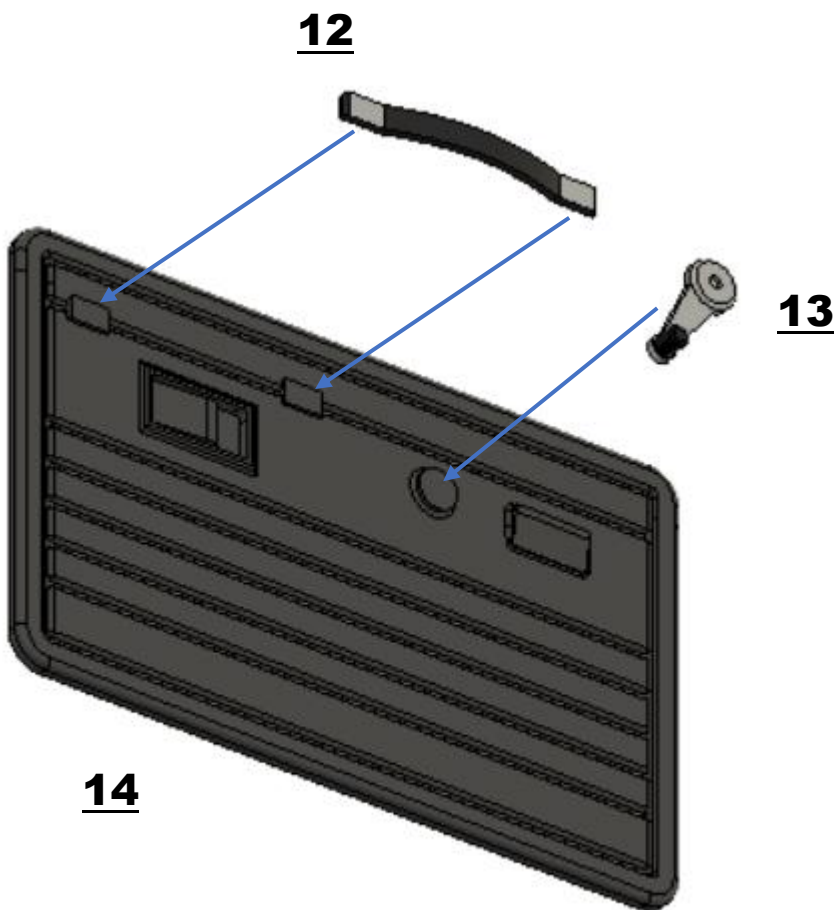
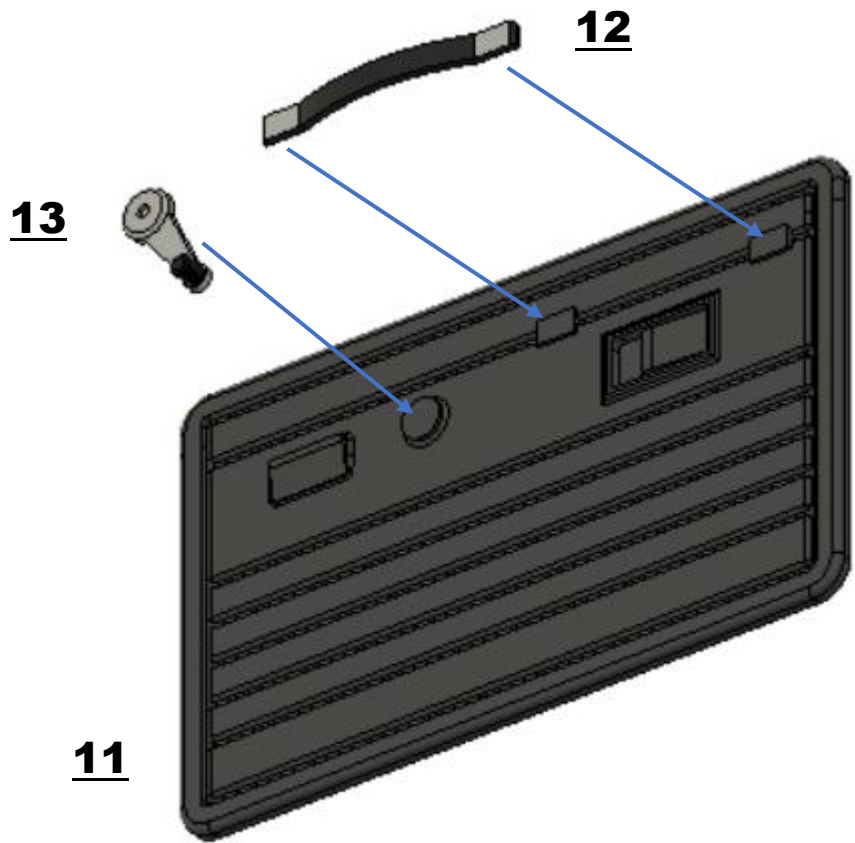
Interior



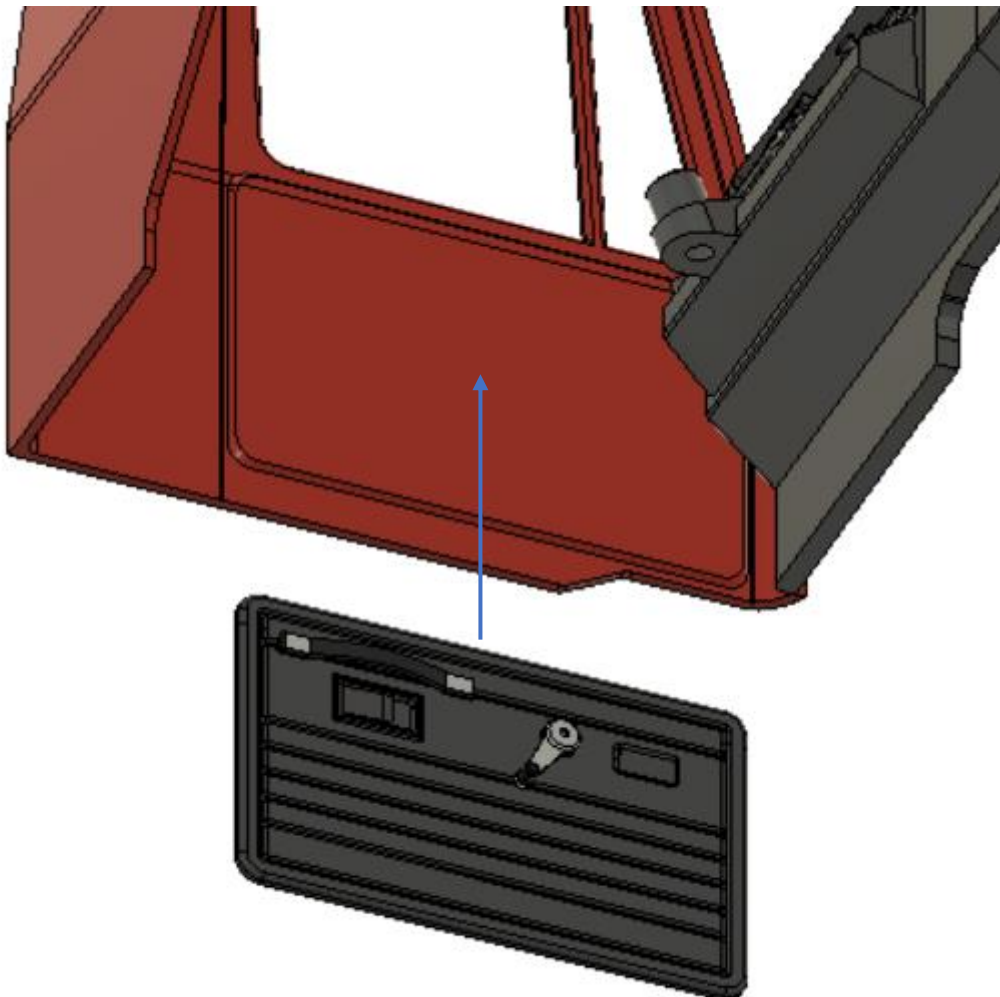
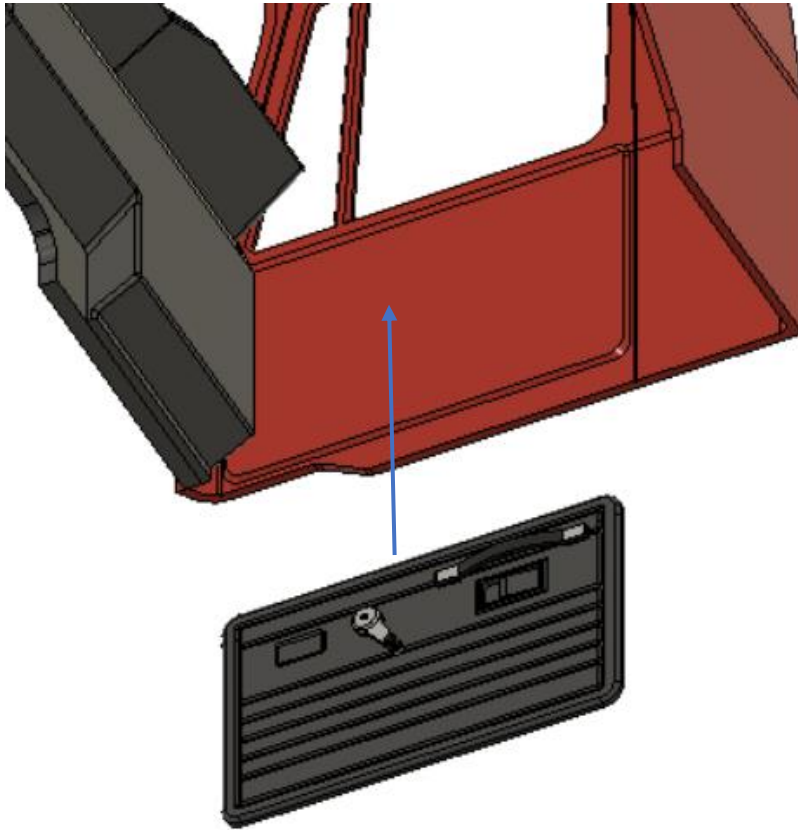
Interior



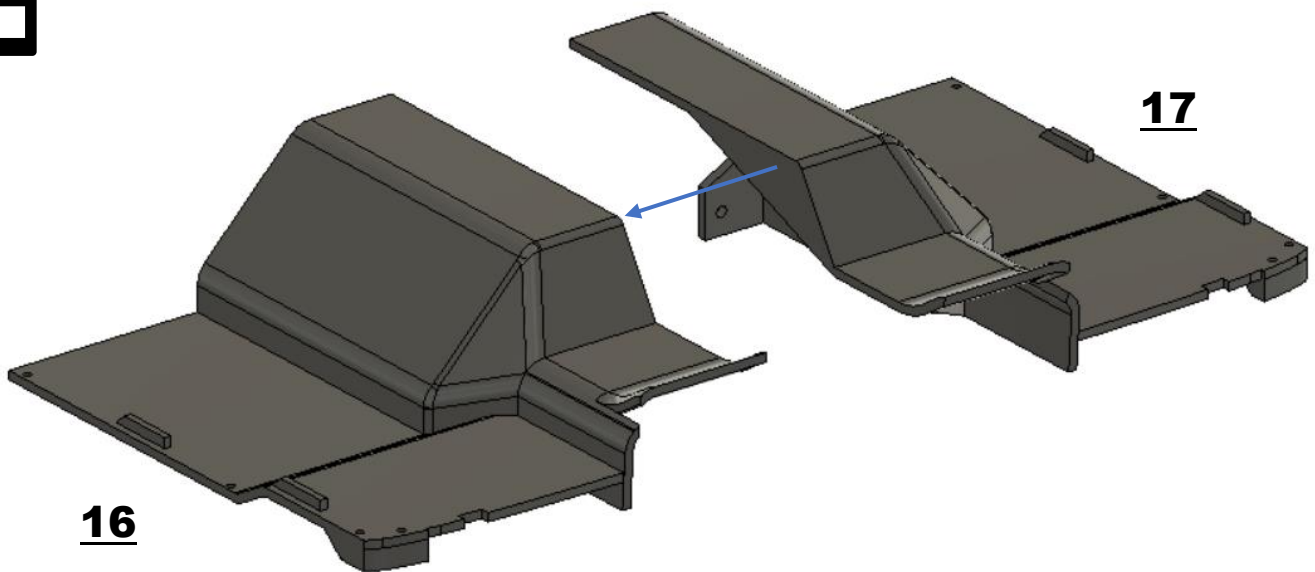
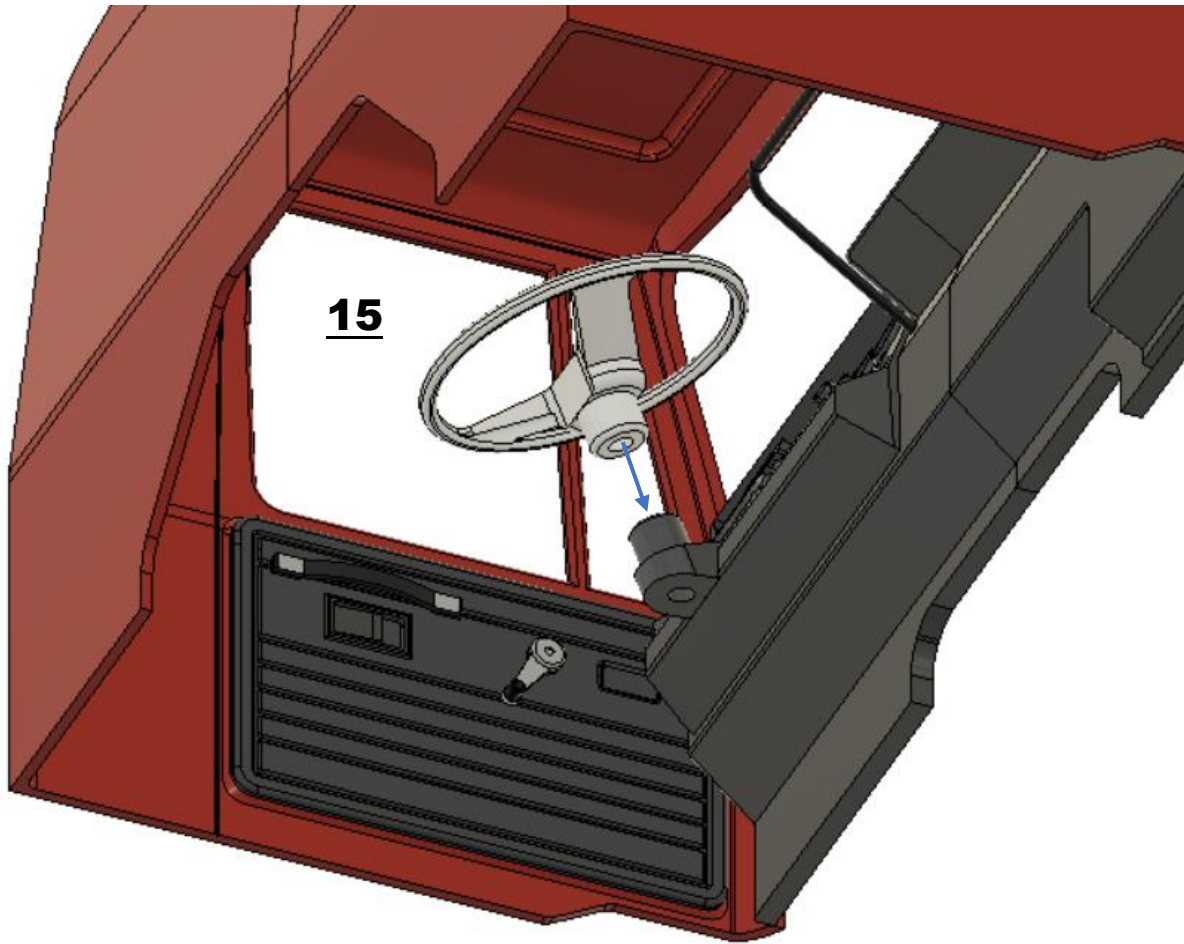
Interior



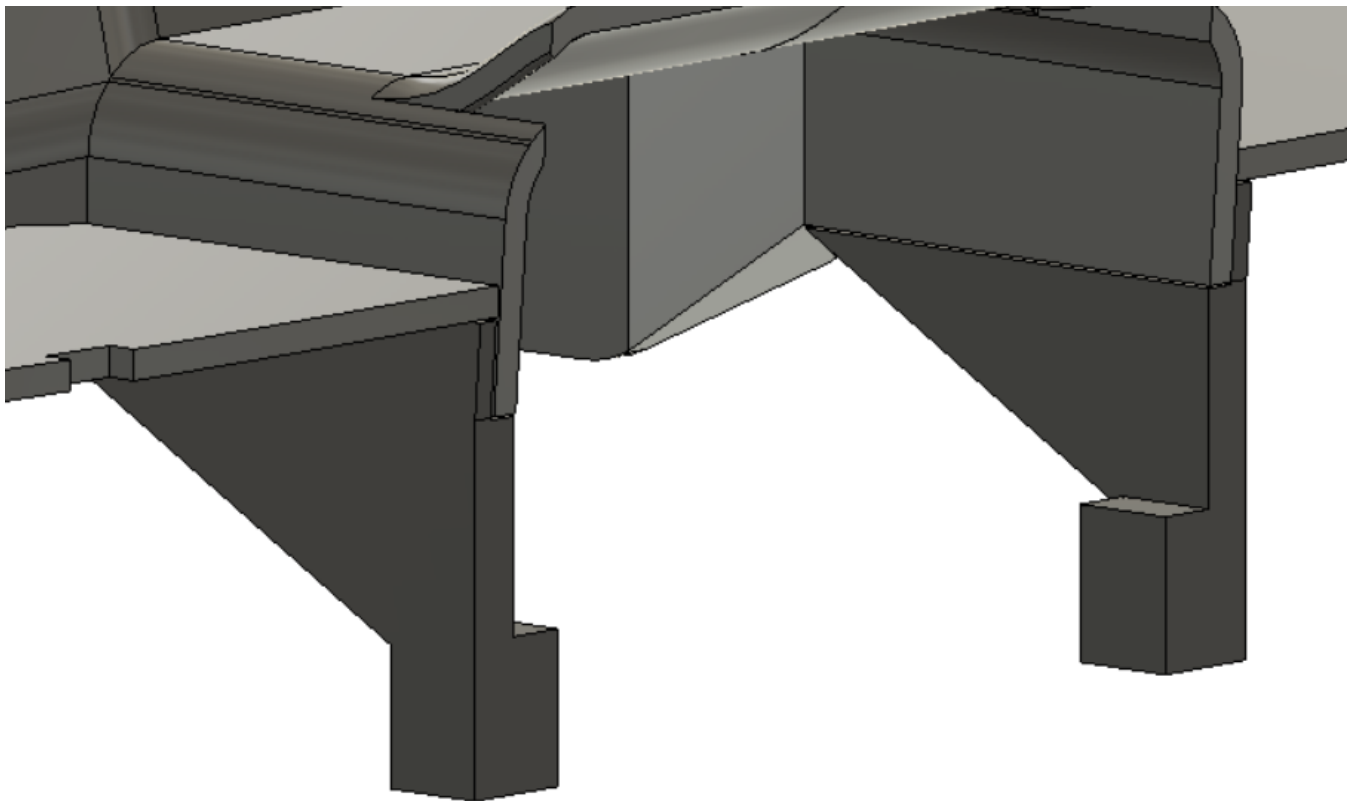
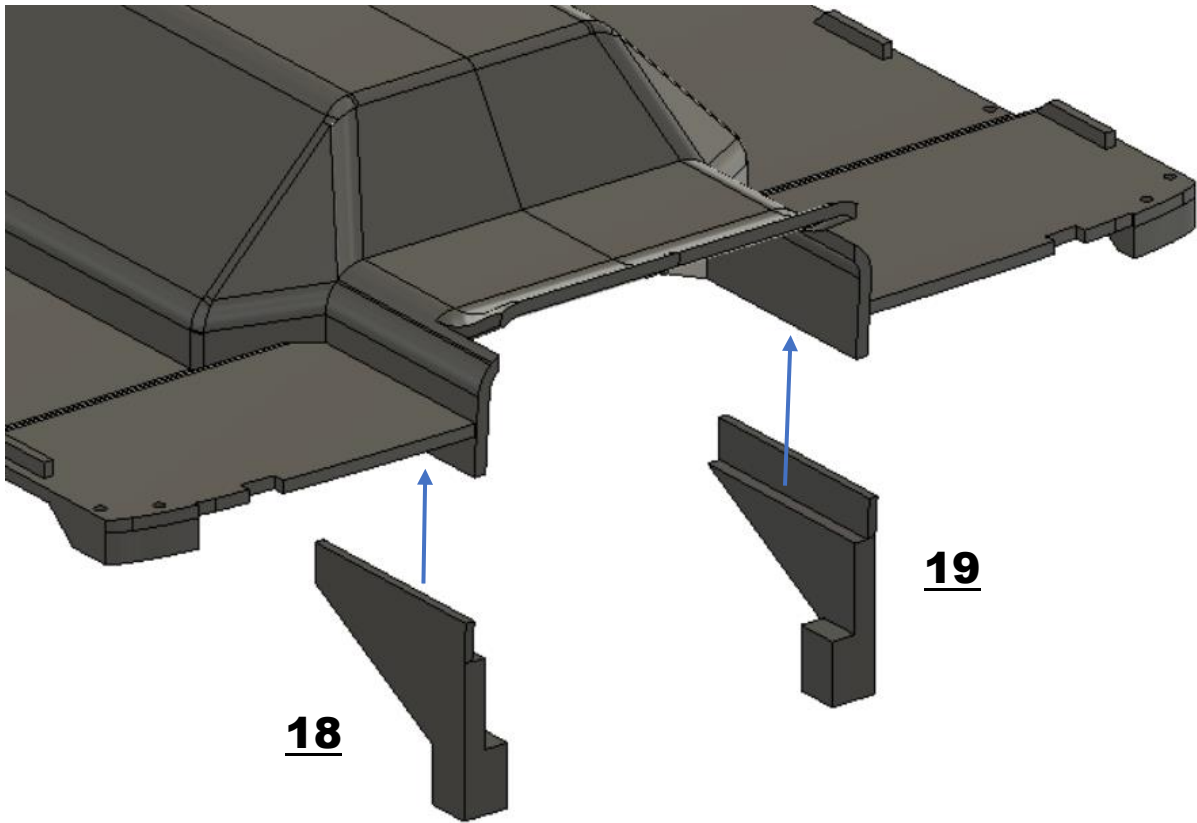
Interior



Interior



Interior



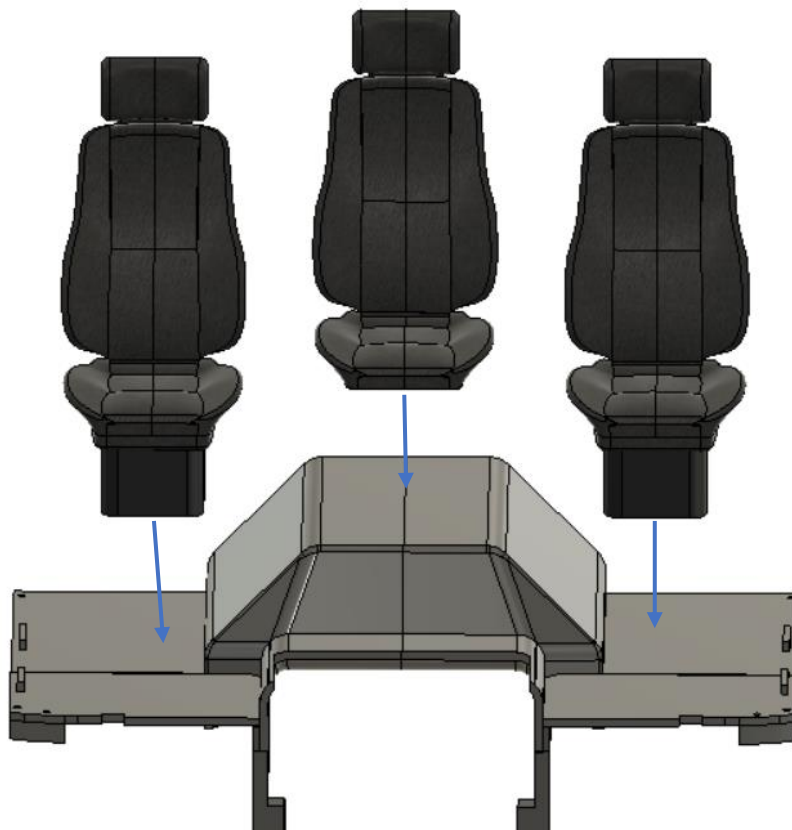
Interior



Interior

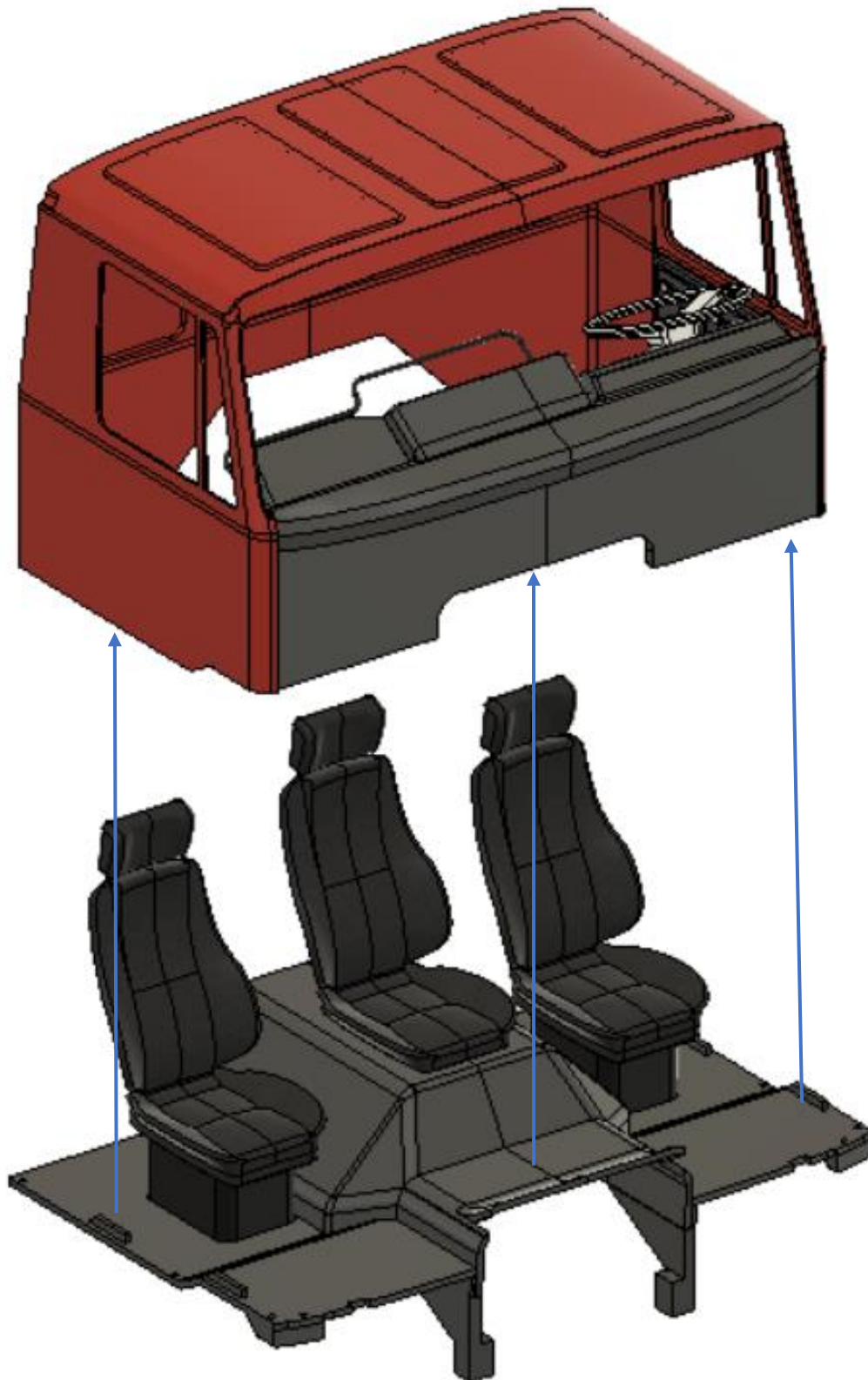


Be careful that the seats do not interfere with the fit with the rest of the interior.

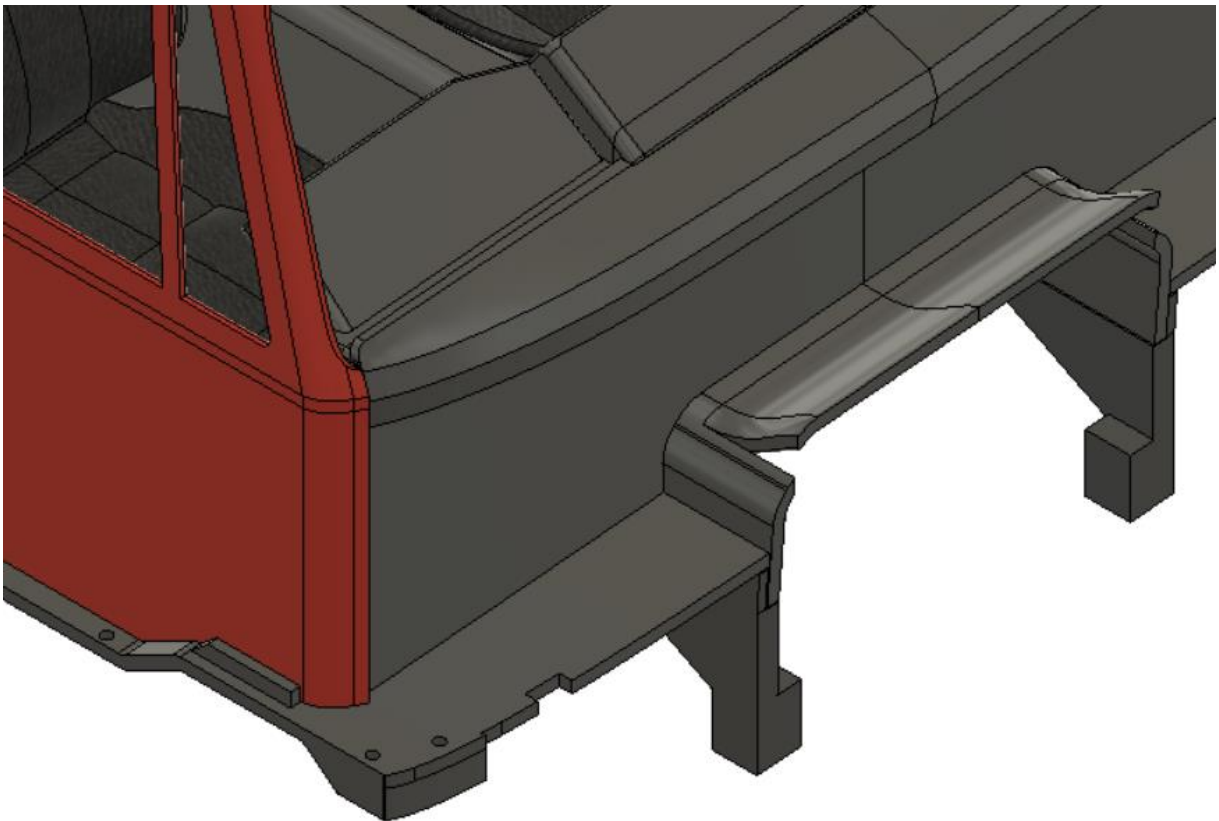
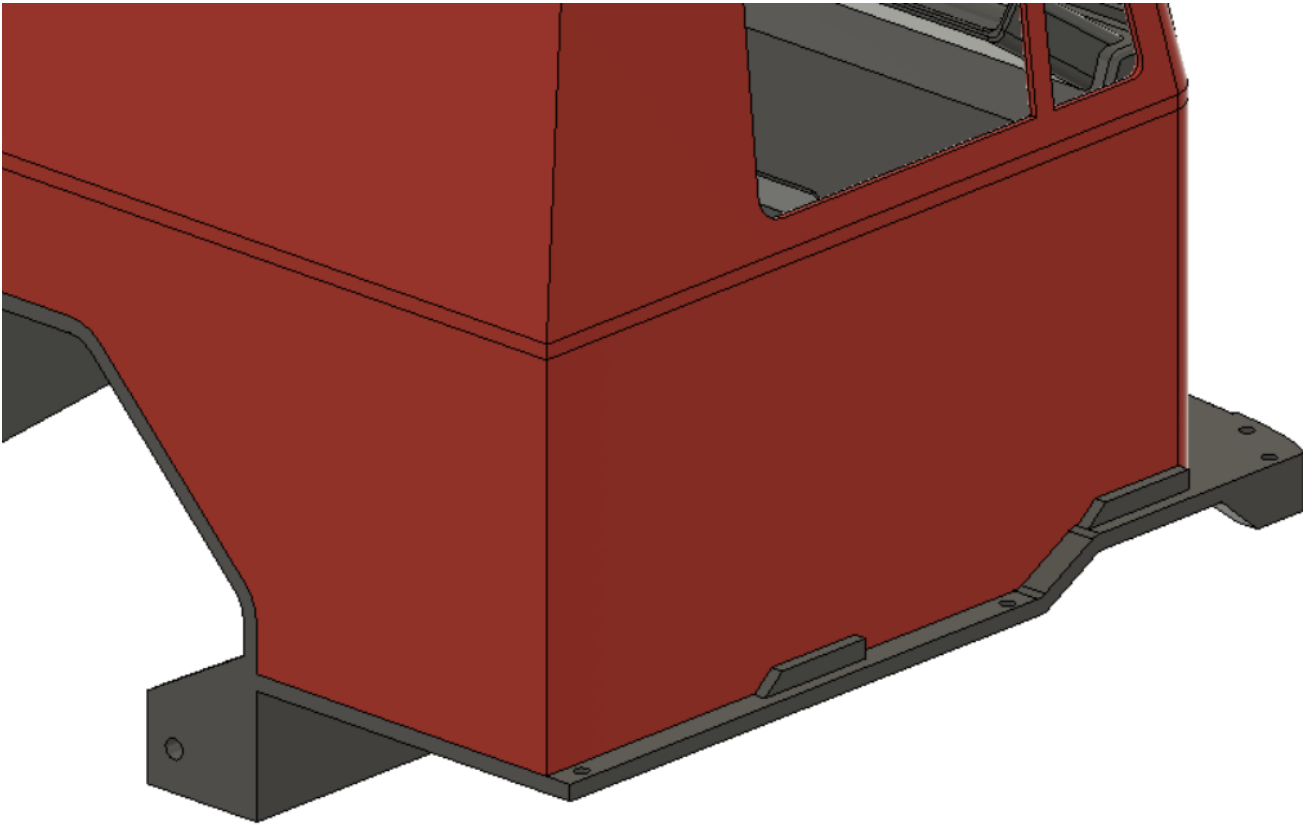


Interior

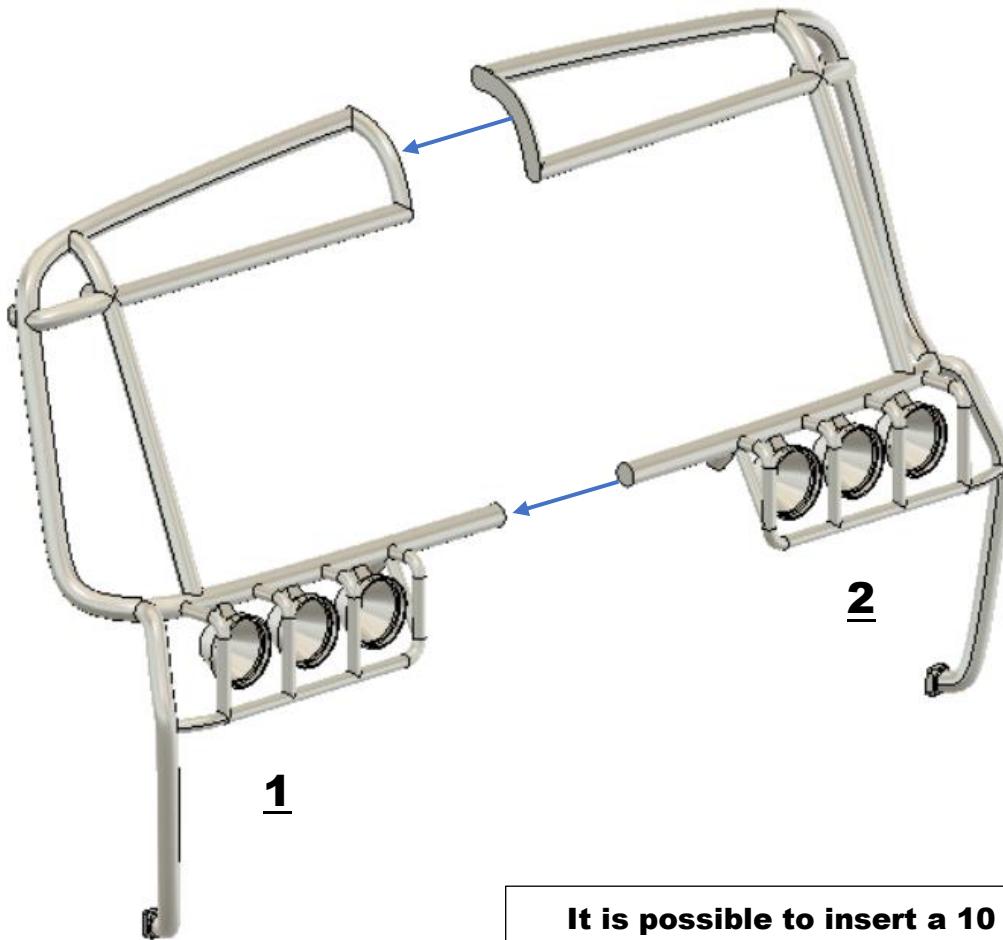
No need to glue. Just make sure that everything fits everywhere and sits as it should.



Interior



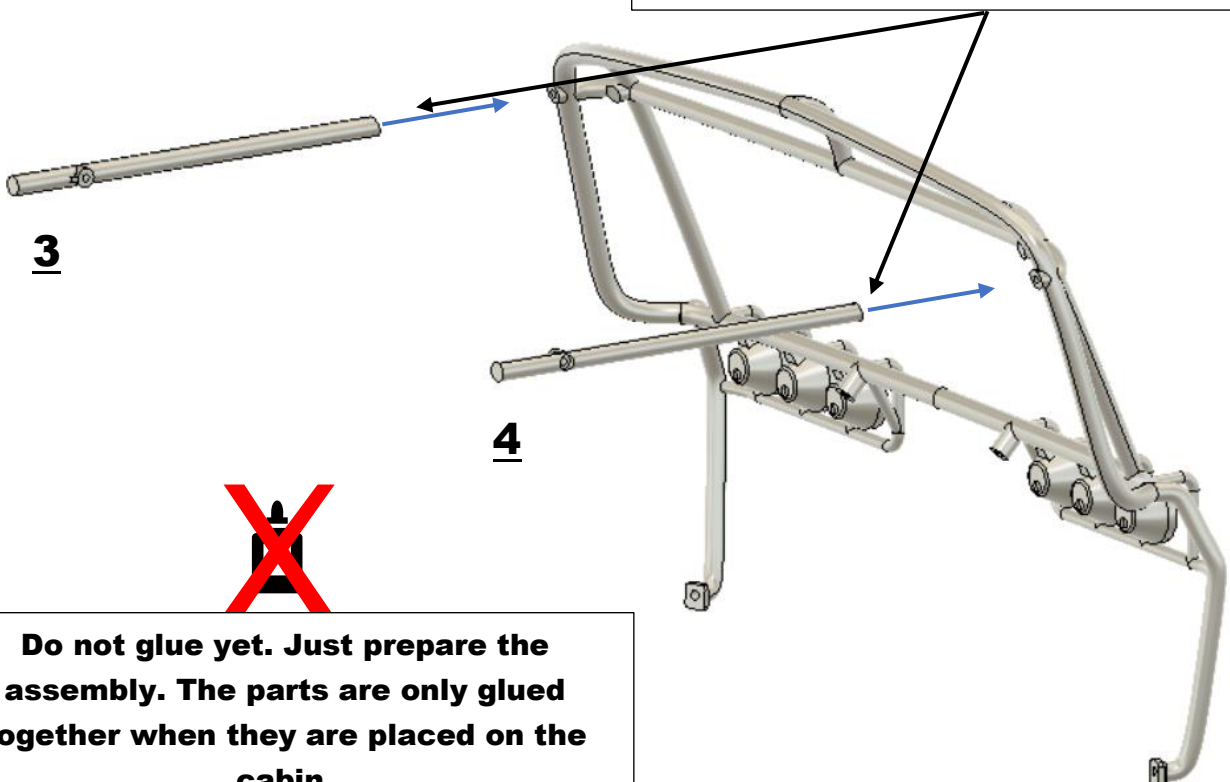
ProtectiveFrame



1

2

It is possible to insert a 10 mm long brass wire of 2 mm for better seating, gluing and for higher strength.



3

4

Do not glue yet. Just prepare the assembly. The parts are only glued together when they are placed on the cabin.

ProtectiveFrame

6x

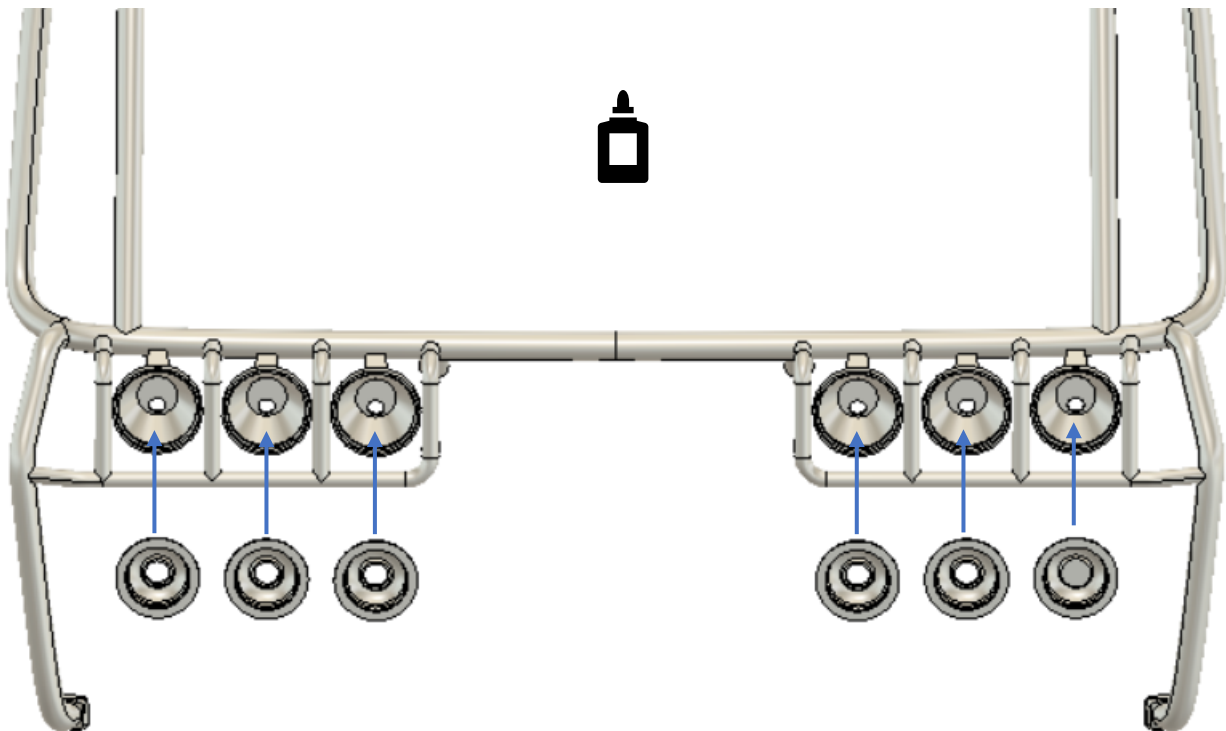


5



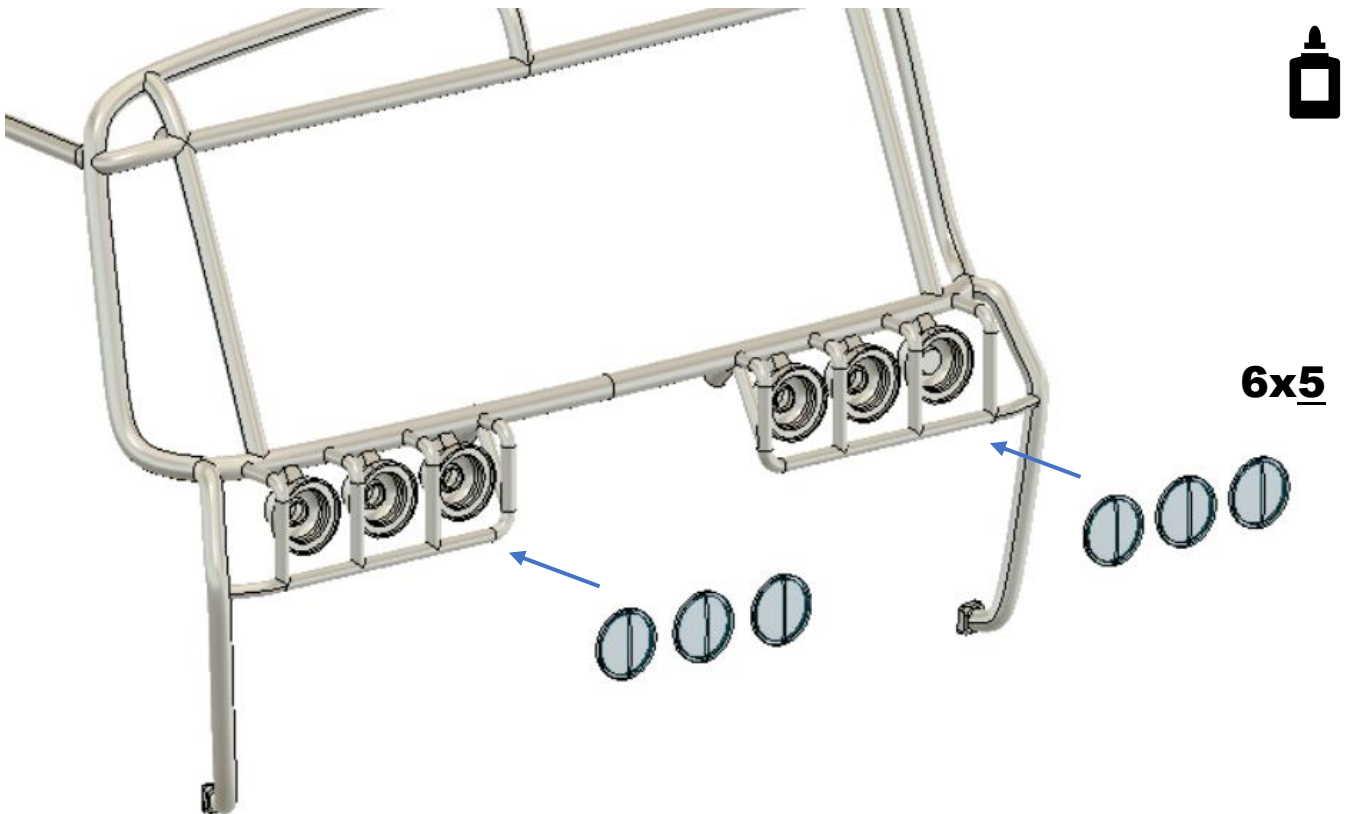
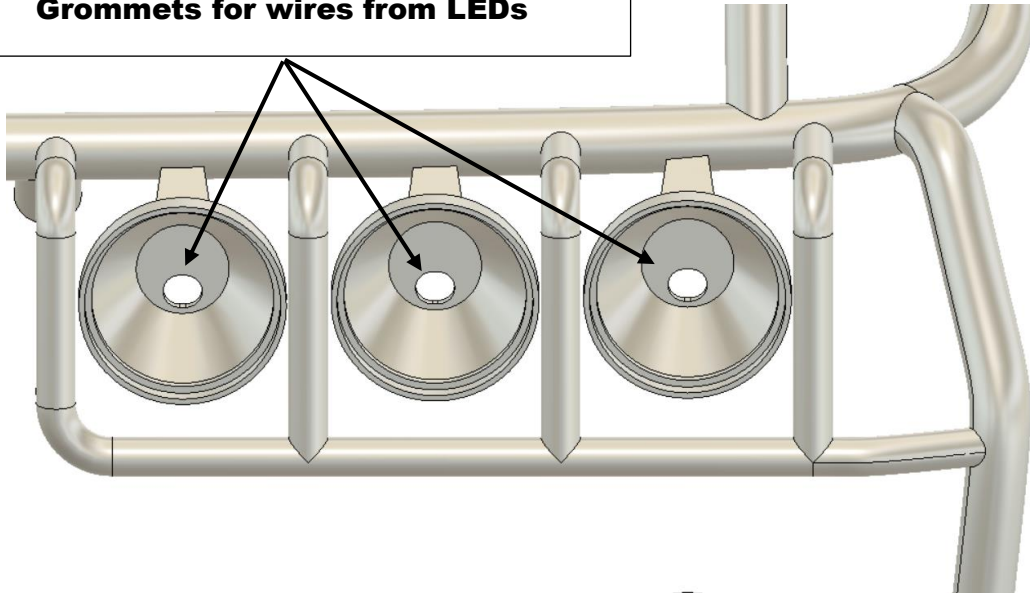
Insert a 5mm warm white LED into part 5

CYLINDRICAL



ProtectiveFrame

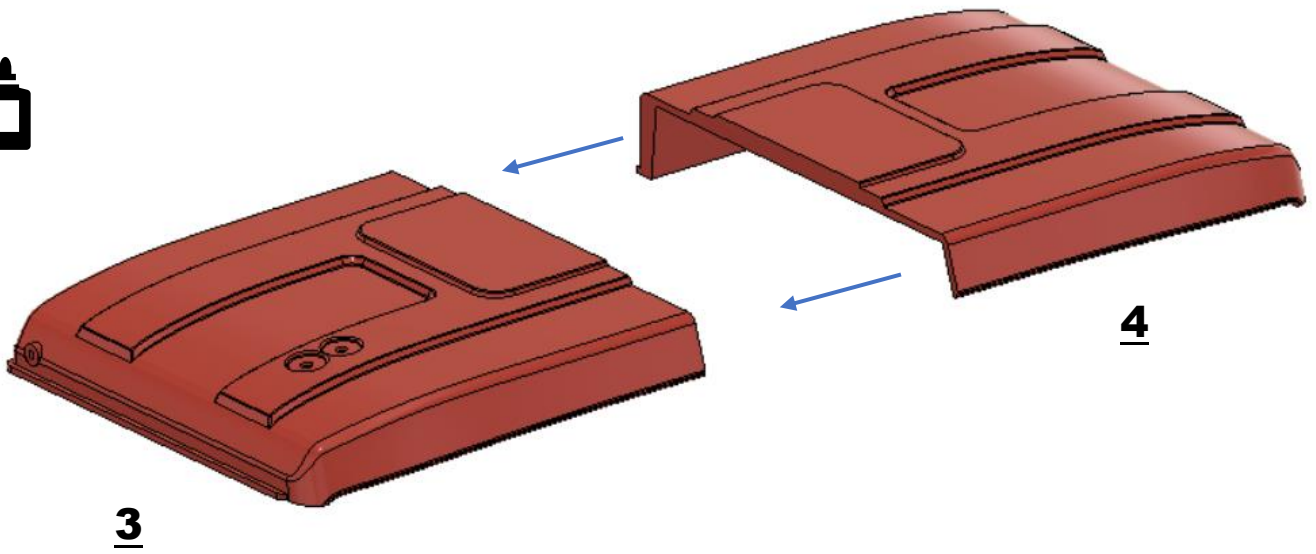
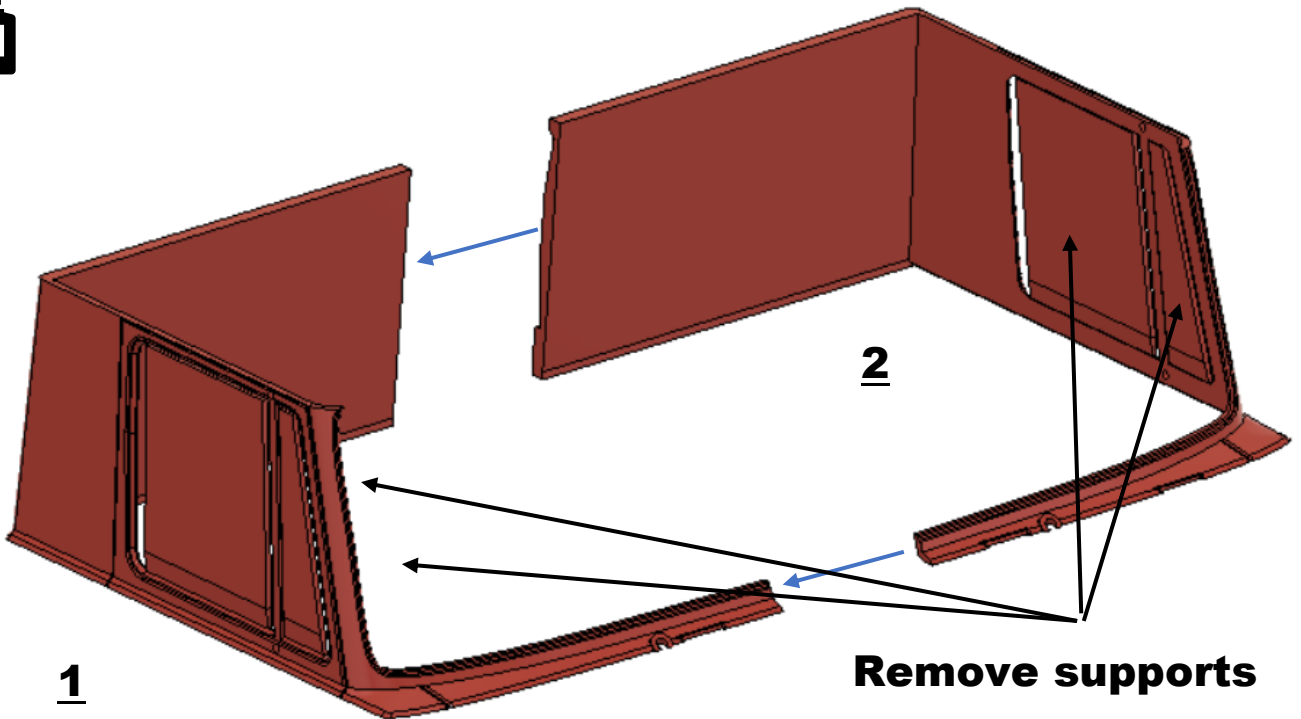
Grommets for wires from LEDs



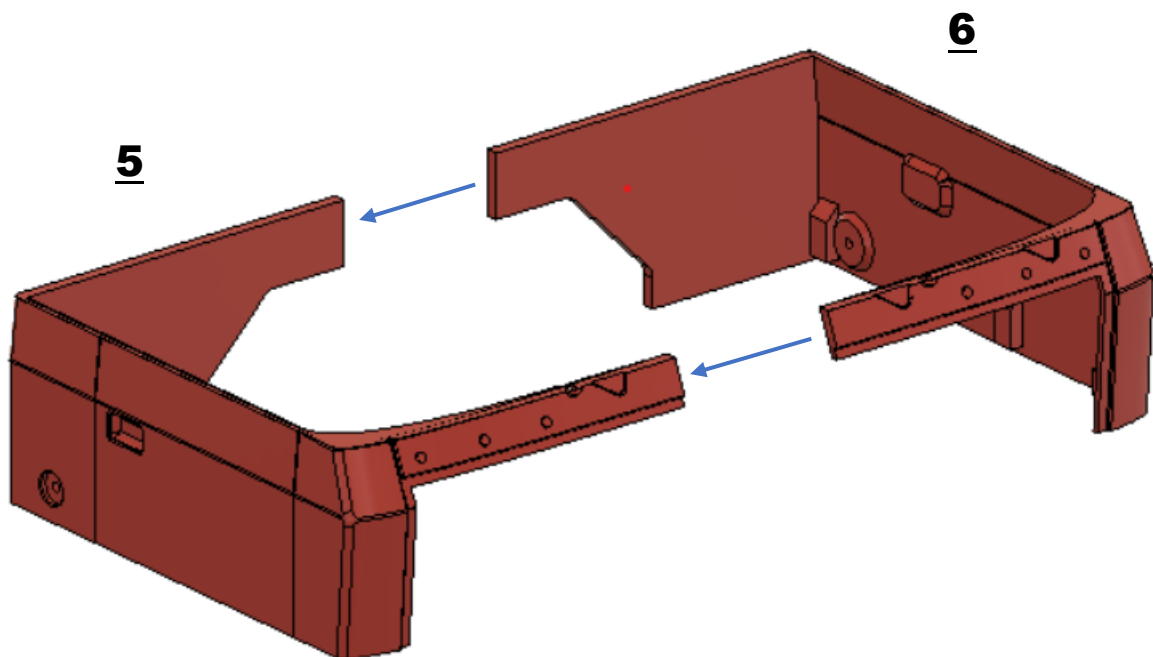
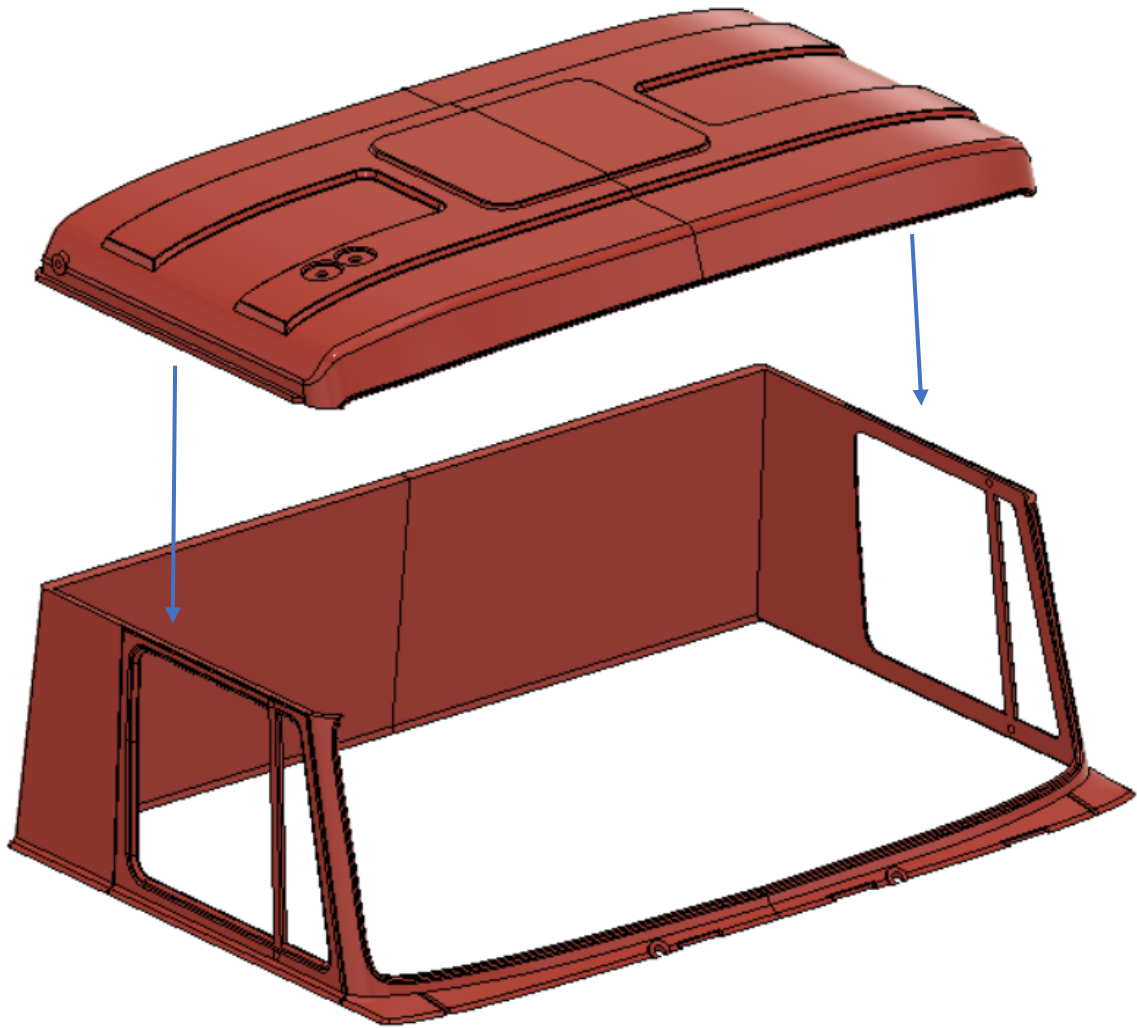
ProtectiveFrame



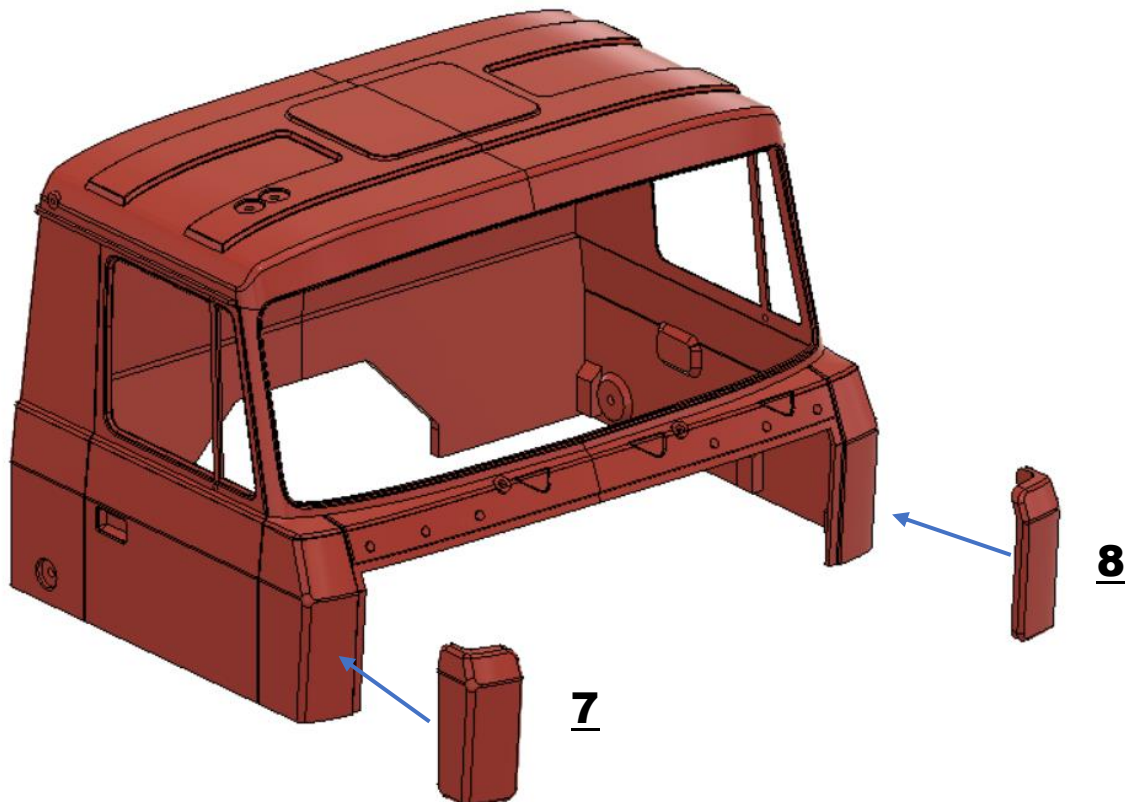
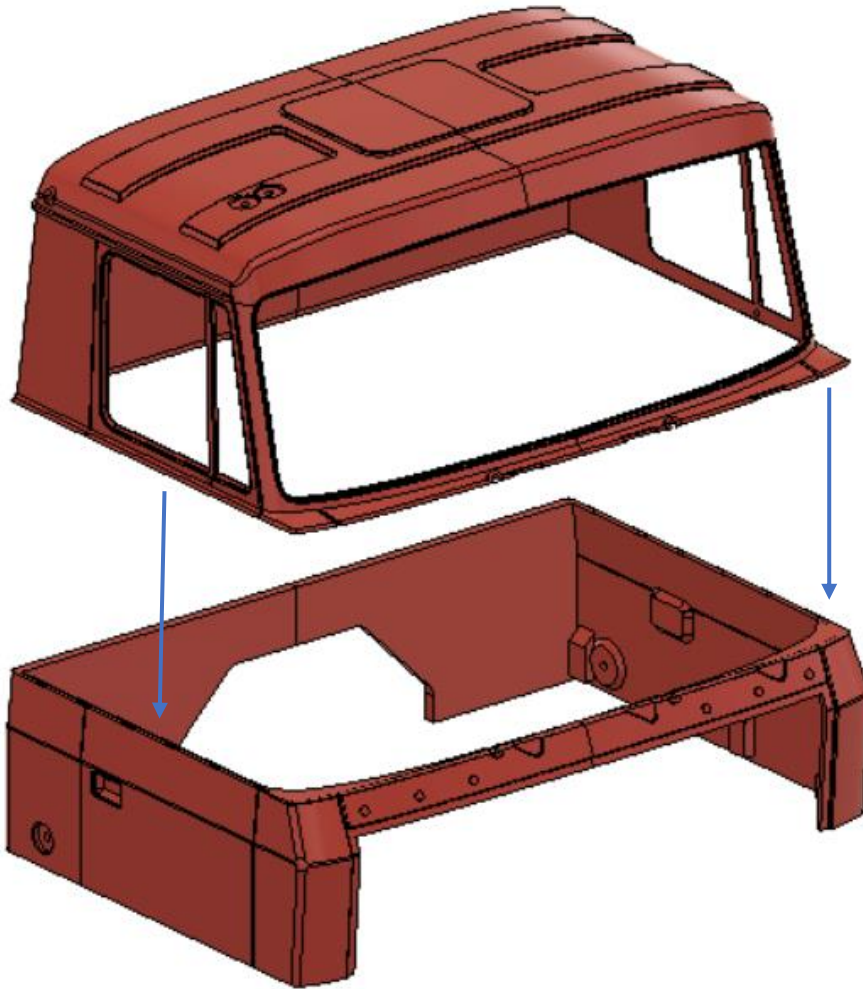
Cabin



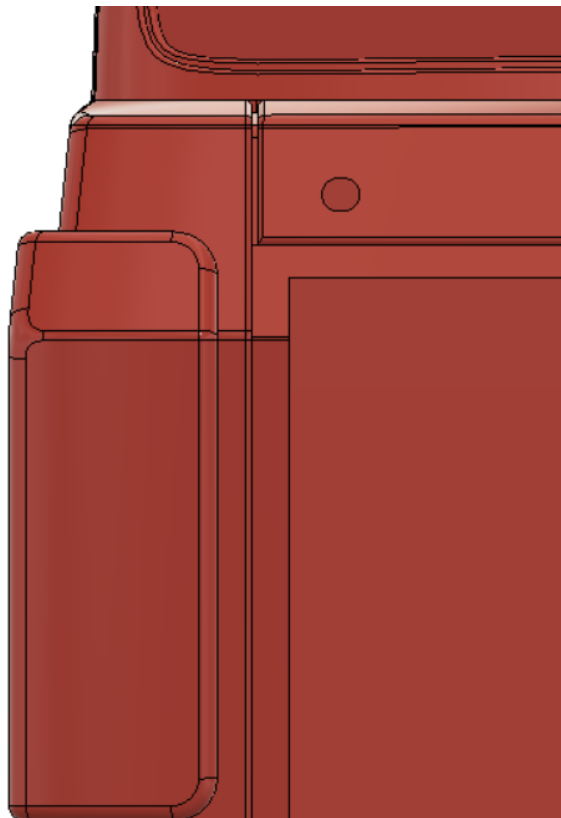
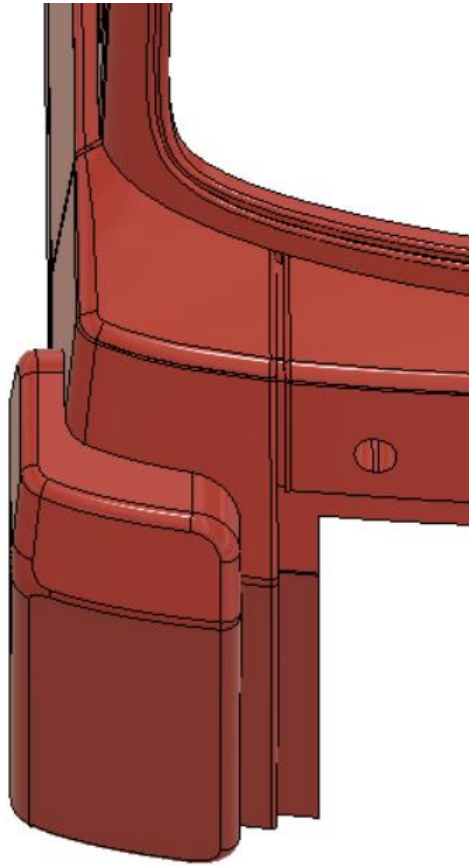
Cabin



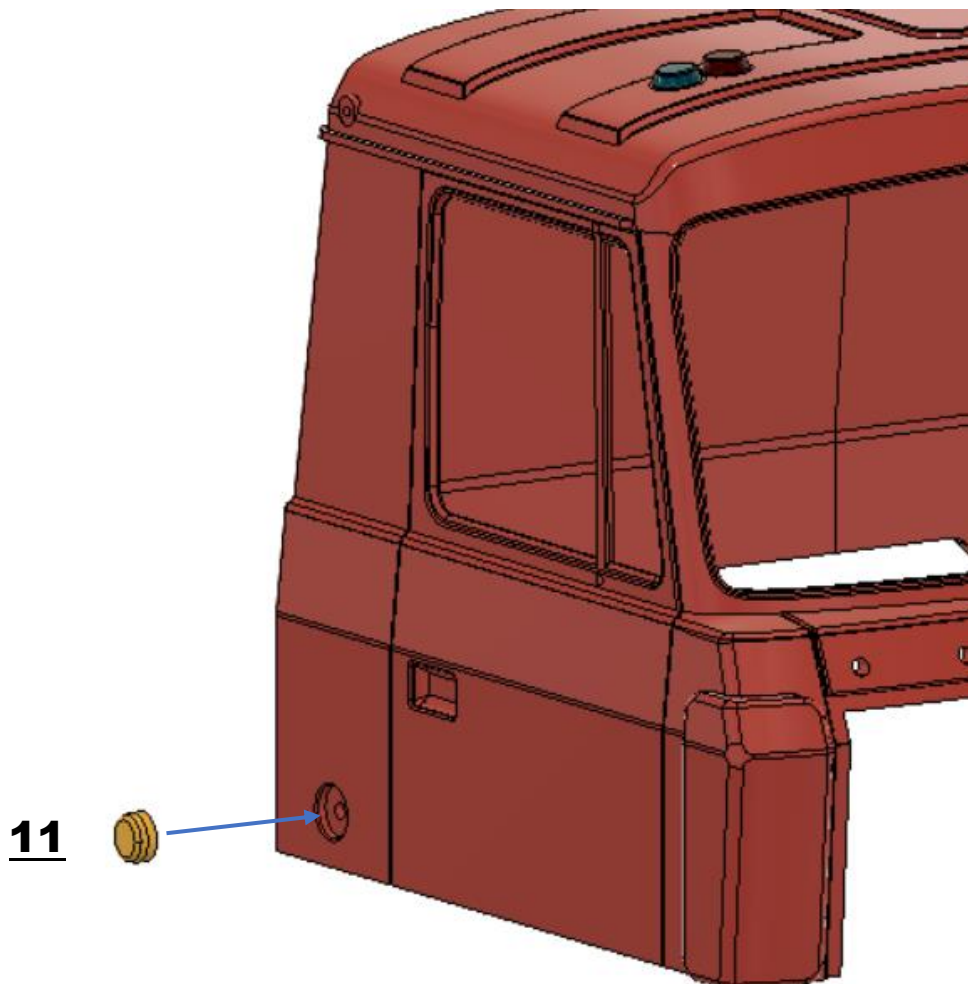
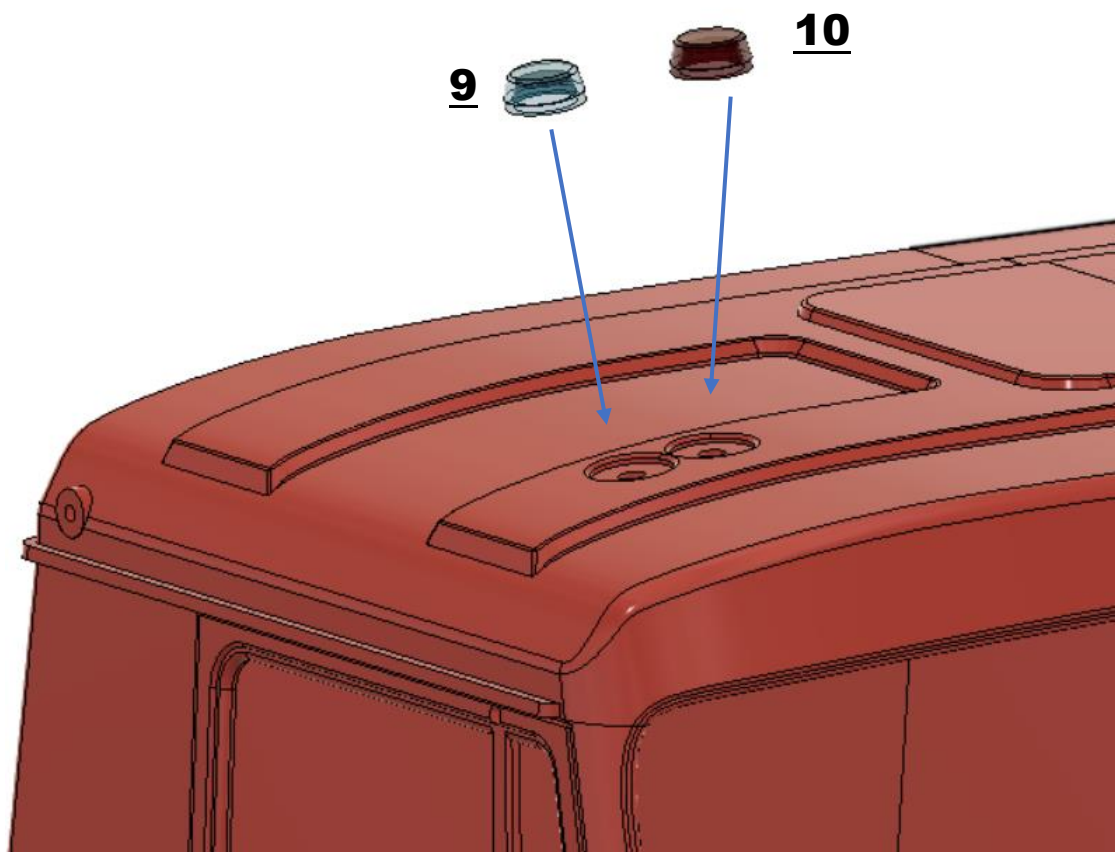
Cabin



Cabin



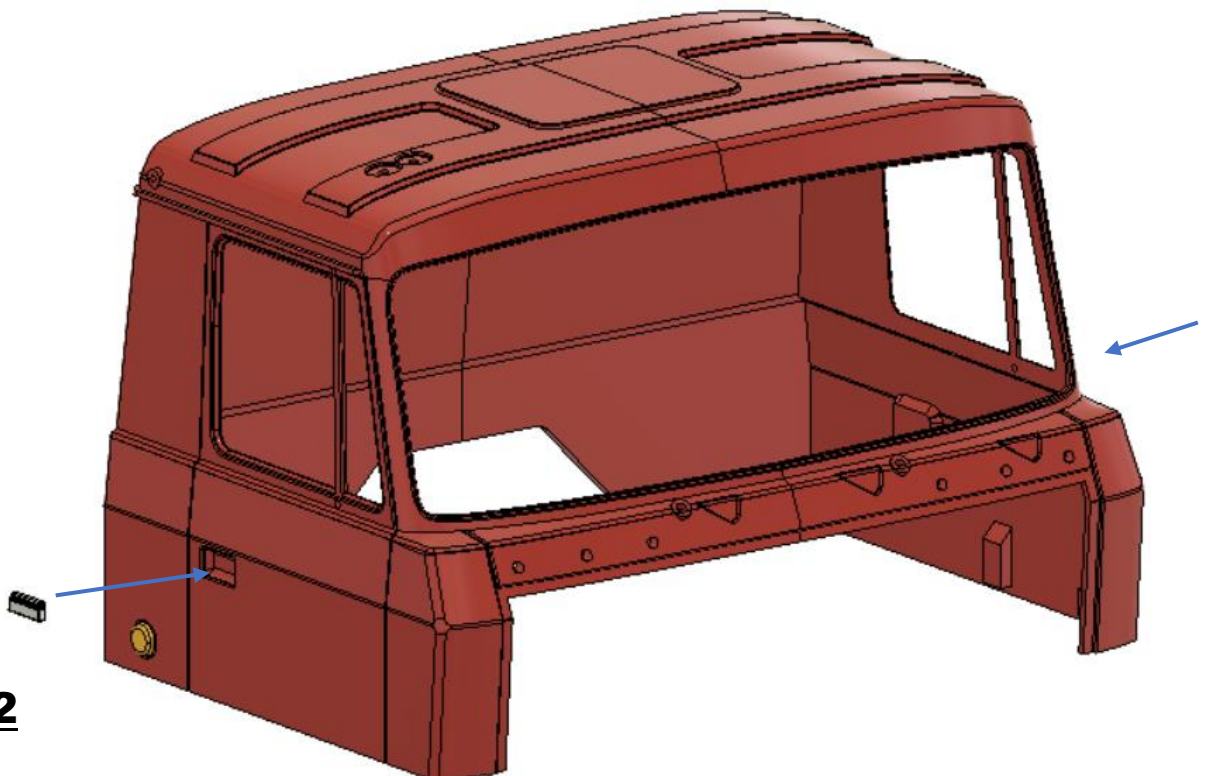
Cabin



Cabin



11



12

Cabin

If you plan to paint the decals with clear varnish, now is a good time to do it. The next step is the windows and it would be very complicated to paint the decals later. If you don't plan to, continue with the next step.

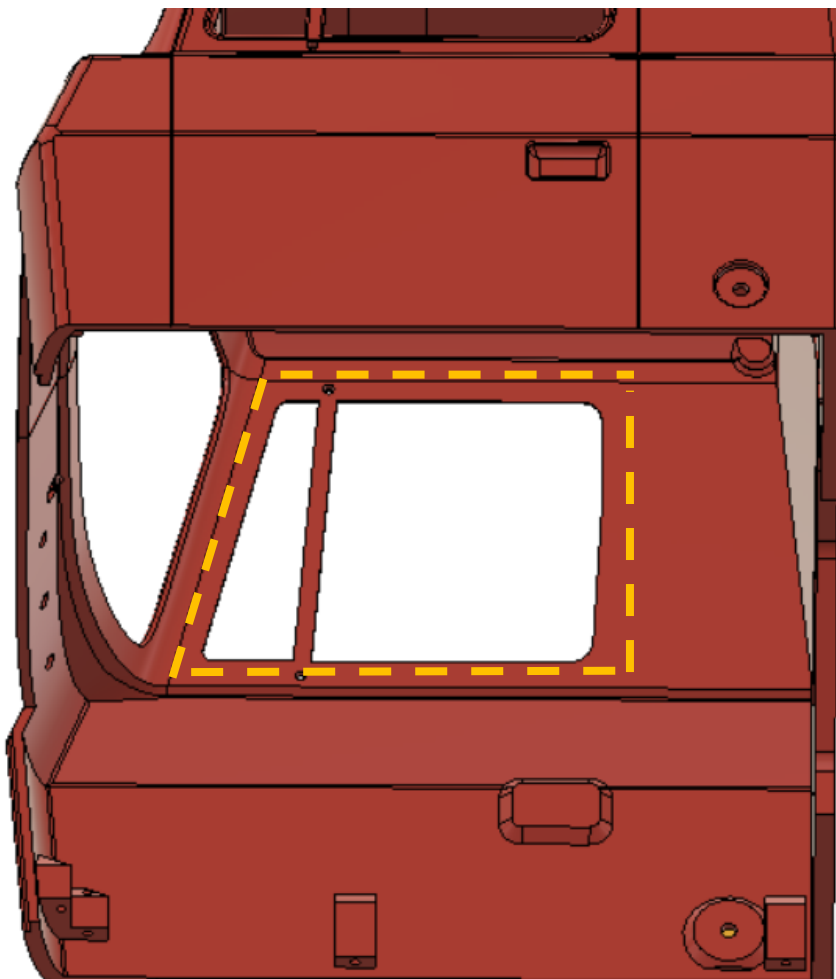
Tape the windows. Enjoy it

DUROFOL 0.2mm.

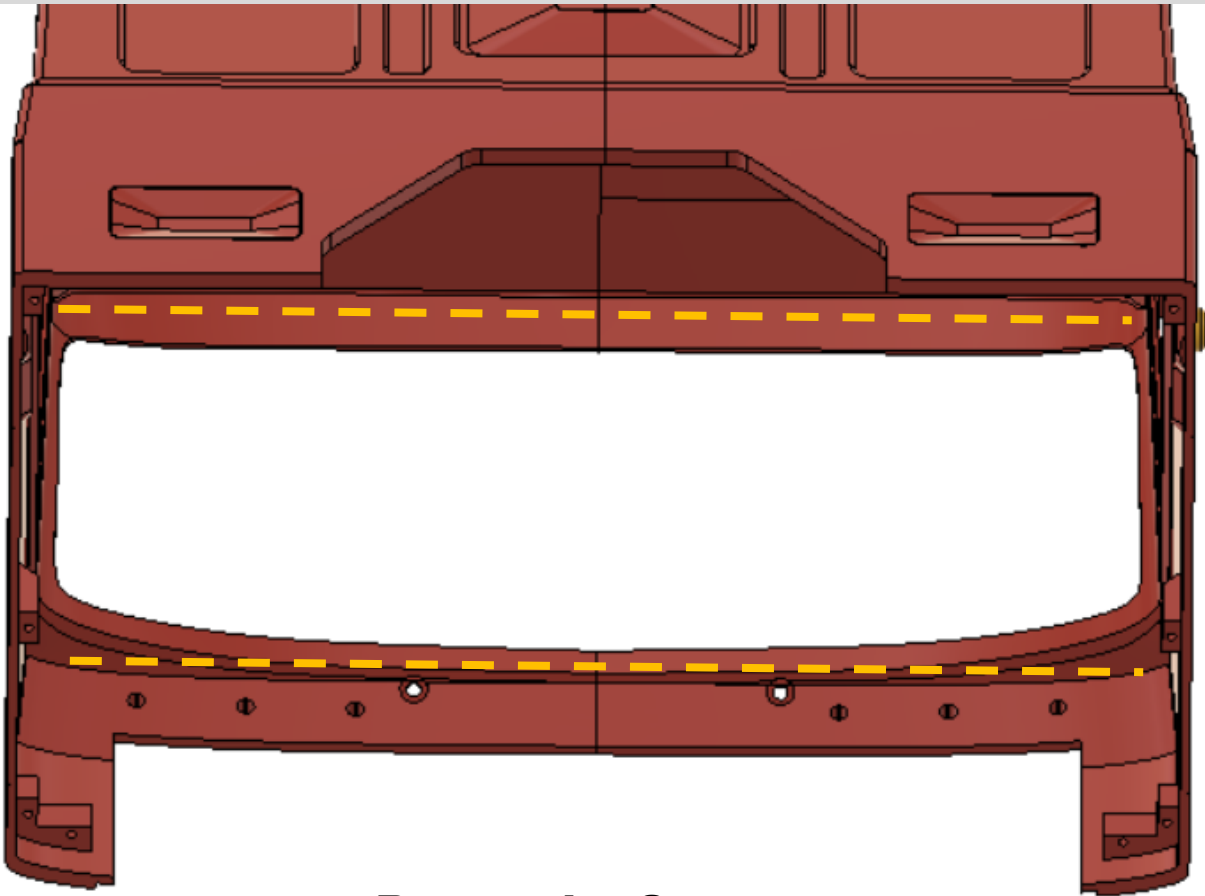
Glue points and precisely. Be careful.

Try not to make any window

it didn't protrude unnecessarily and so that the glue didn't flow where it shouldn't.

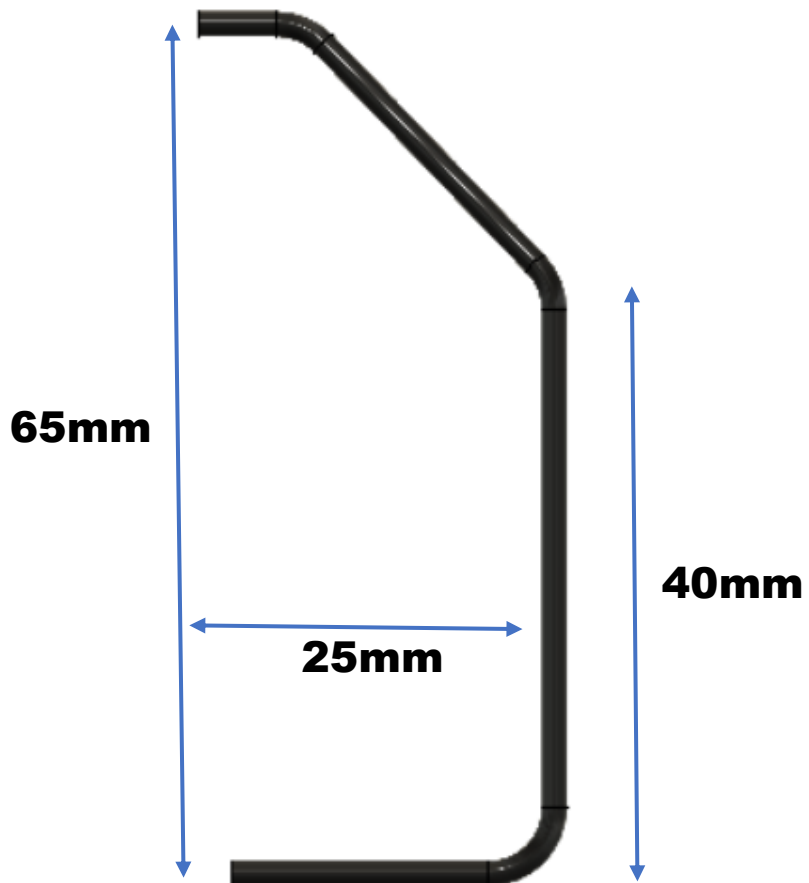


Cabin



Brass wire 2mm

2x



Cabin

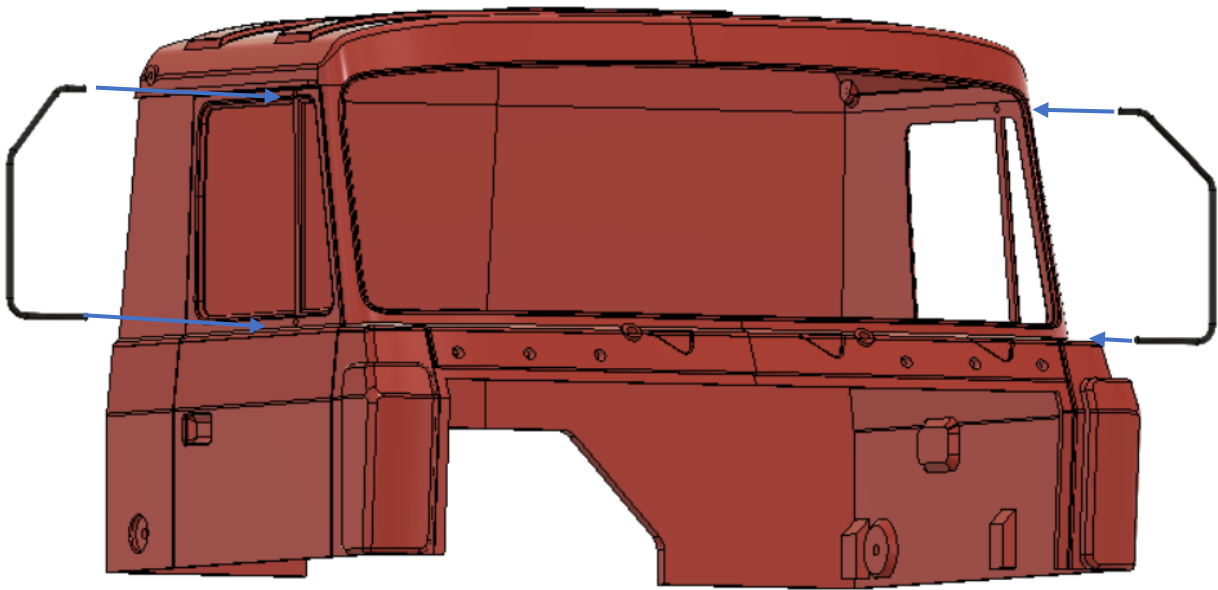


Driver side



Passenger side

Cabin

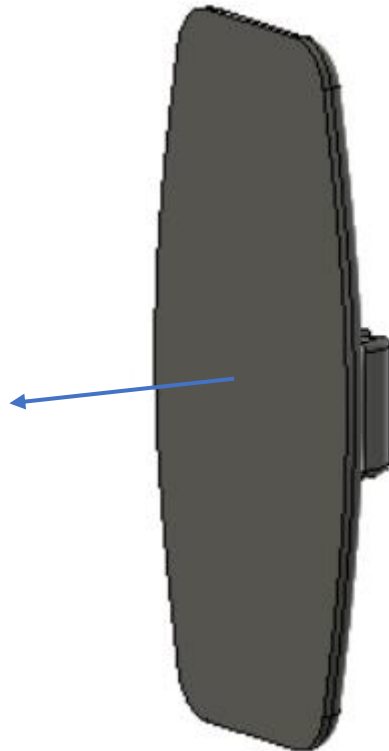


2x

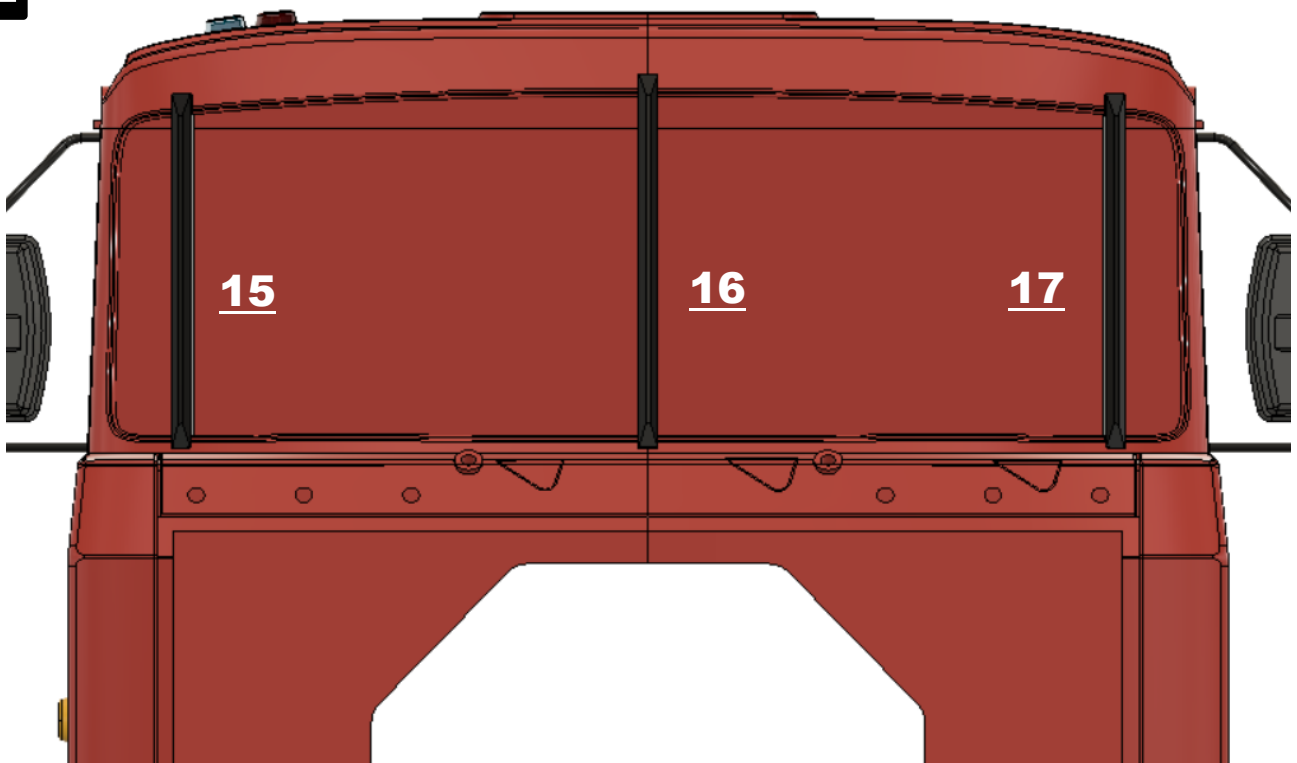
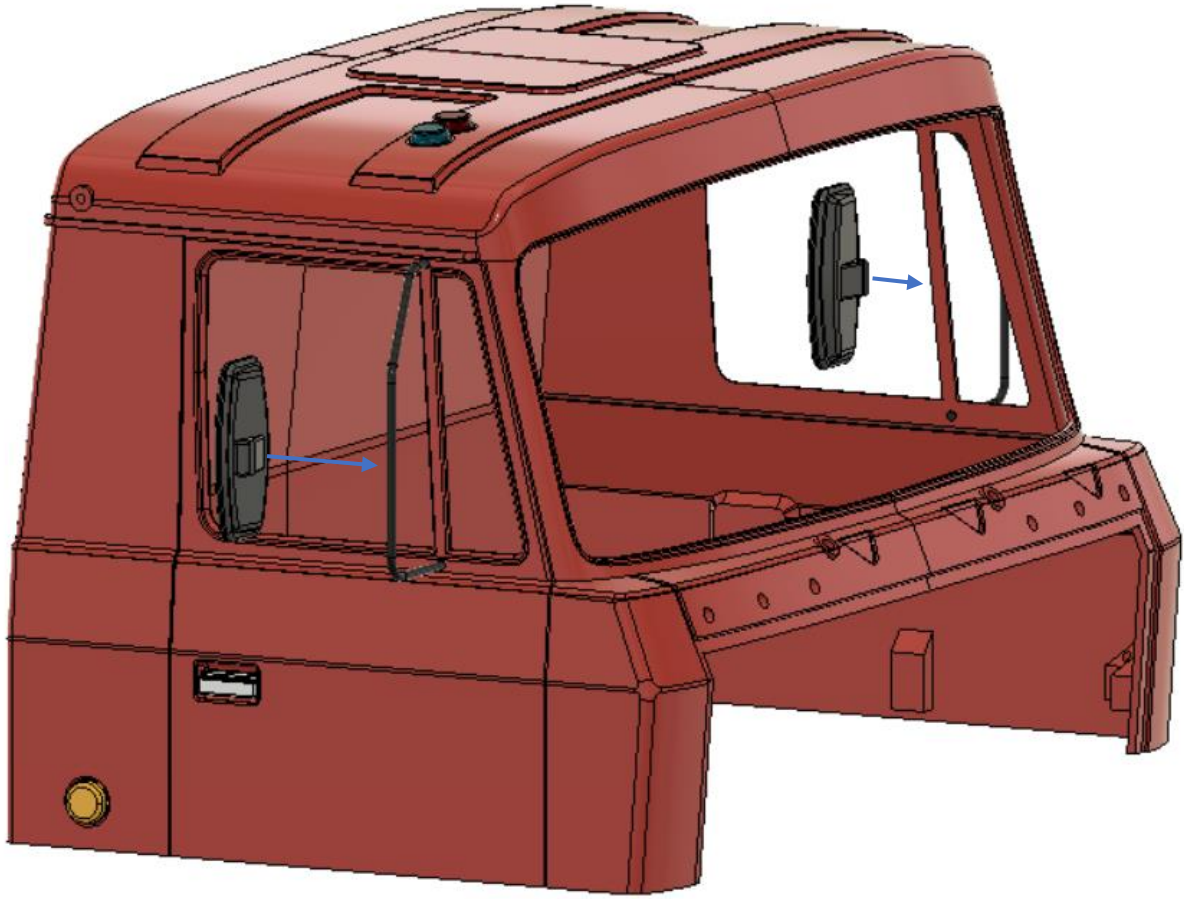
14



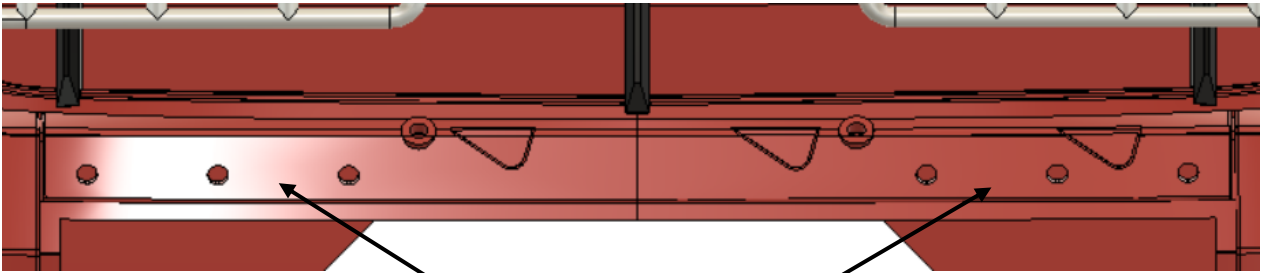
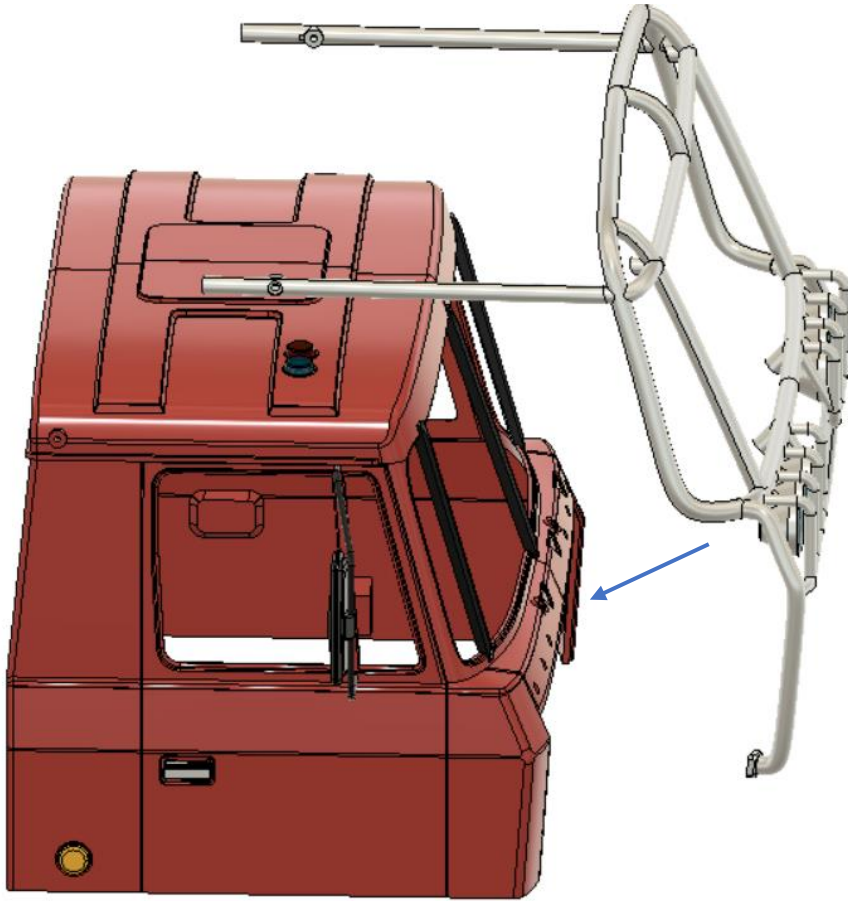
13



Cabin



Cabin

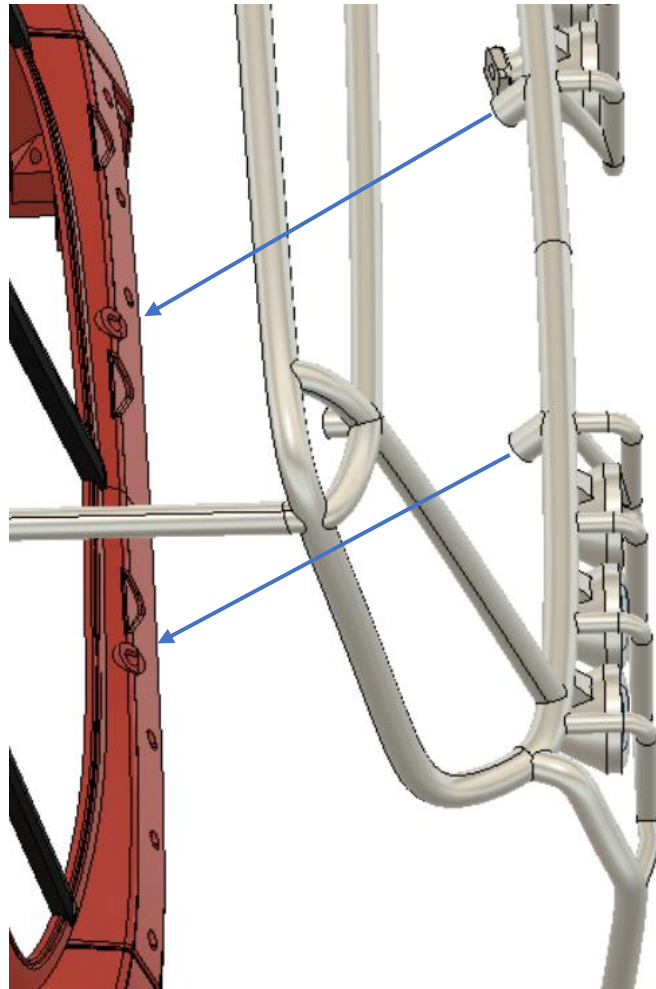


Grommets for wires from LEDs

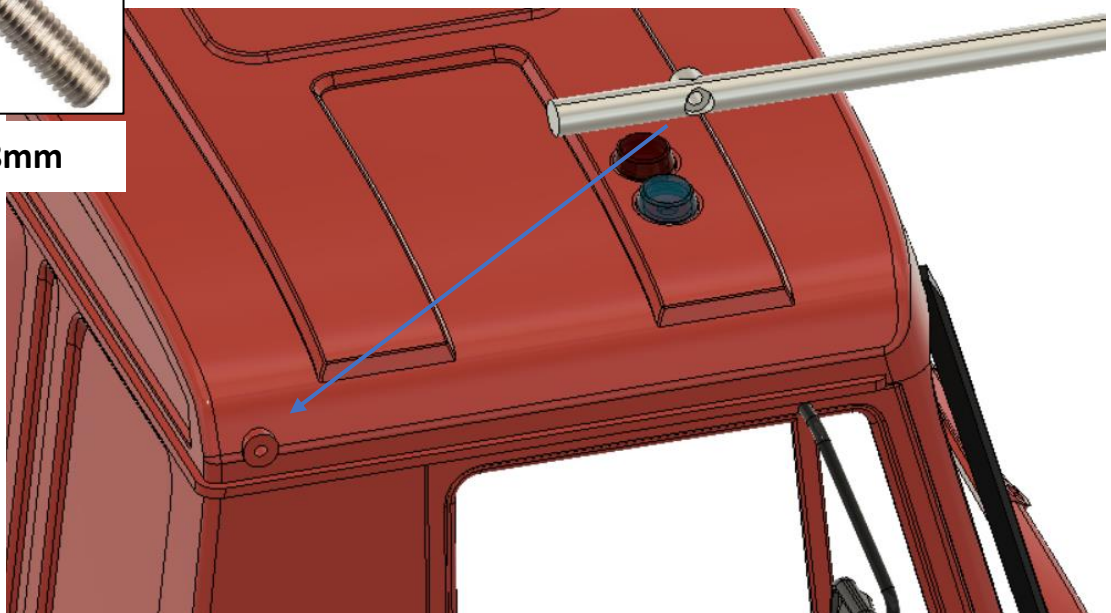
Cabin



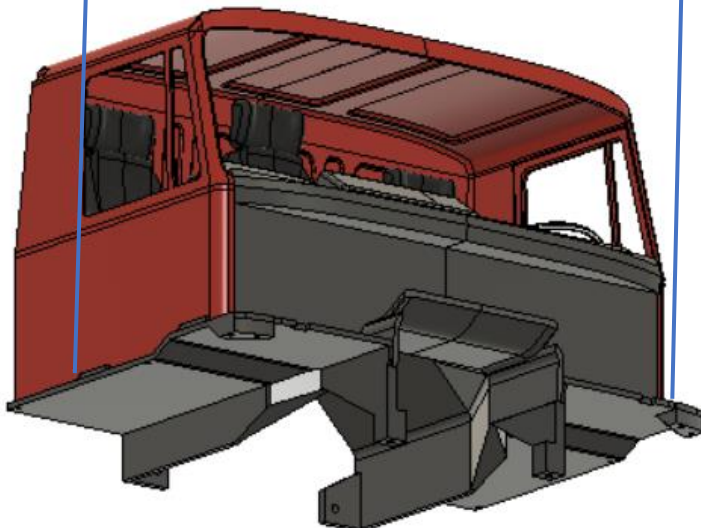
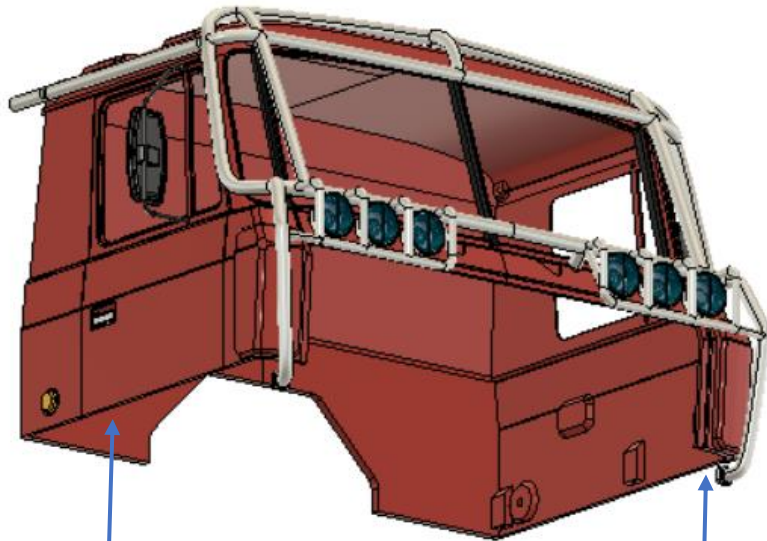
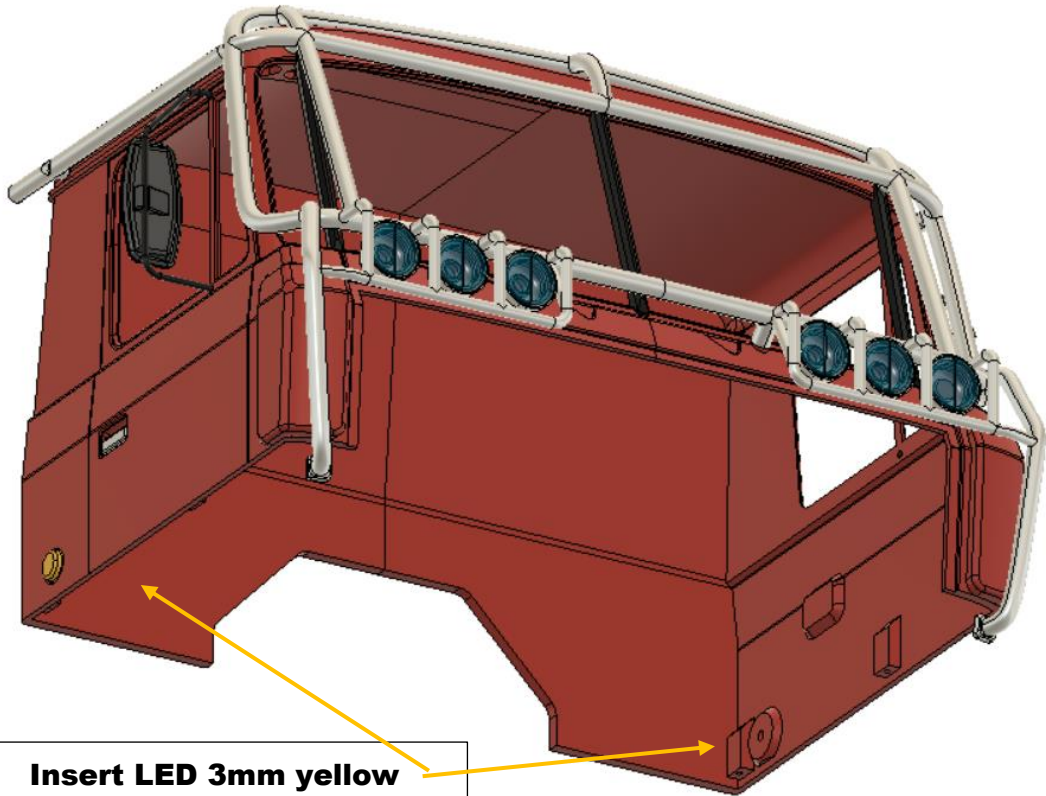
2xM3x8mm



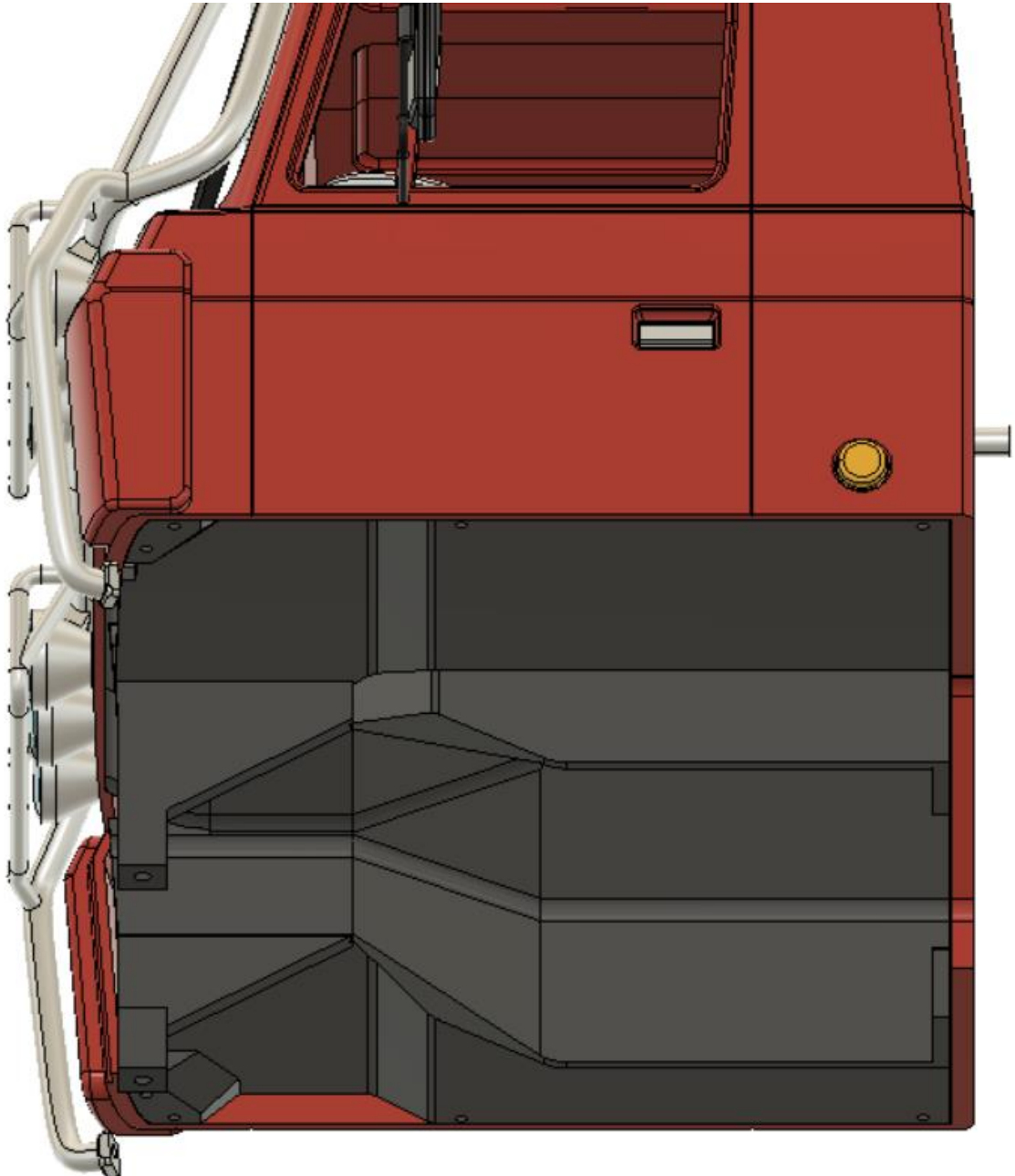
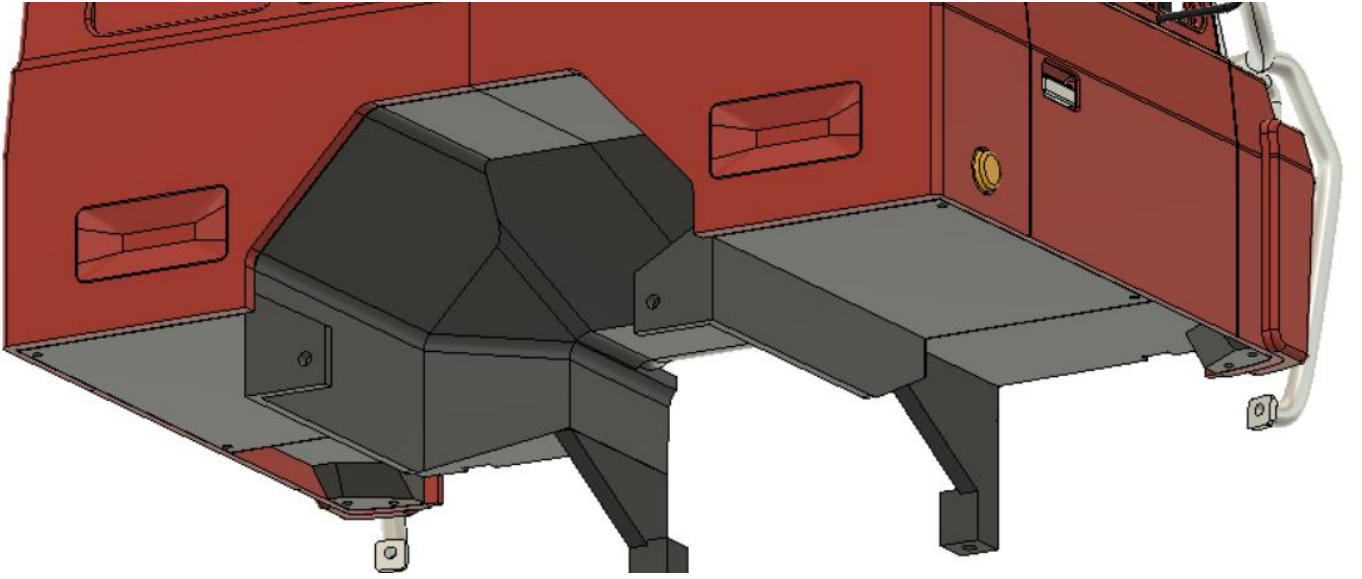
2xM2x8mm



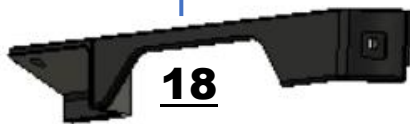
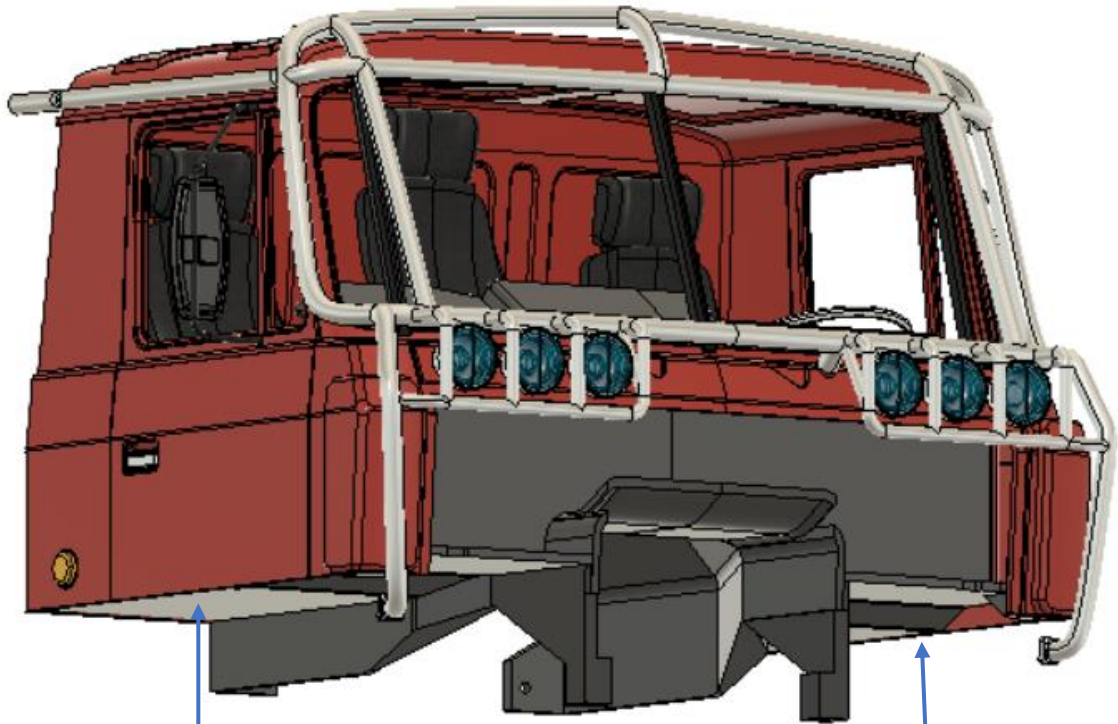
Cabin



Cabin



Cabin



18



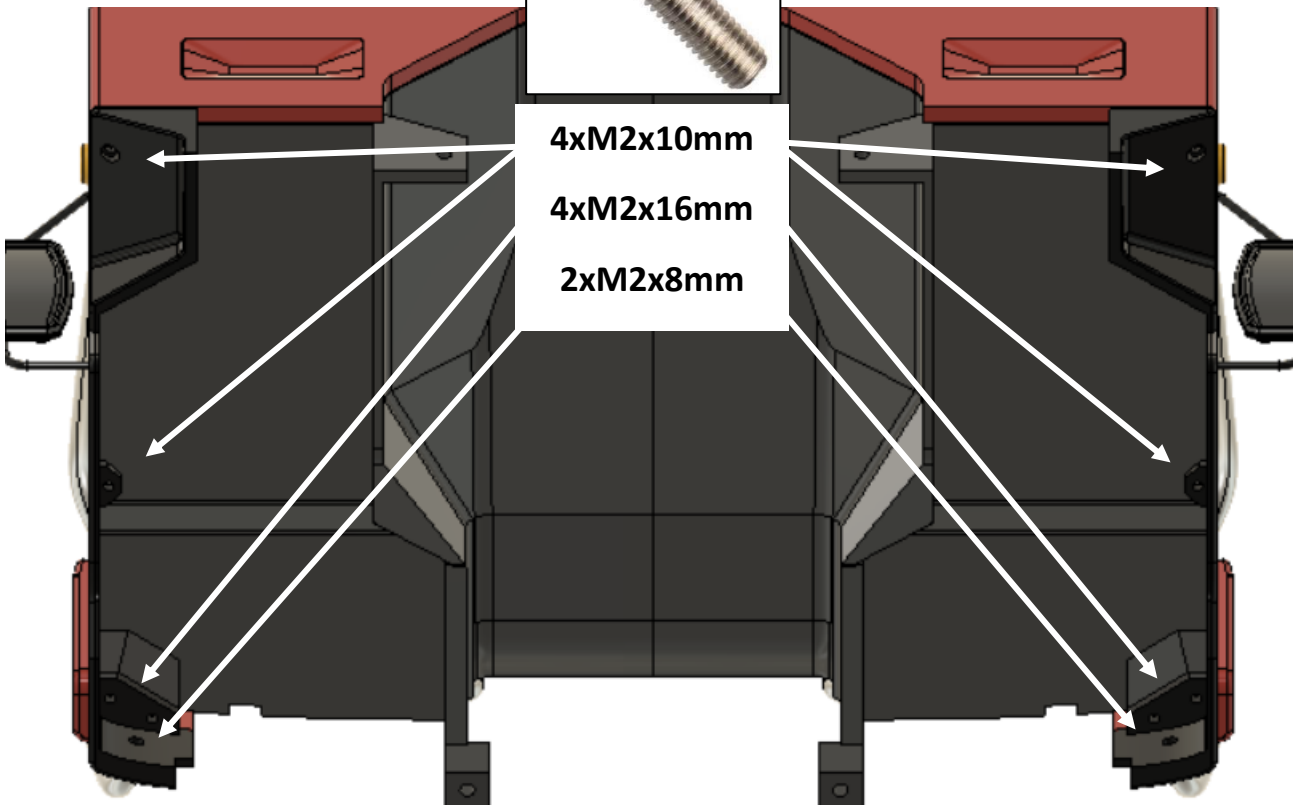
19



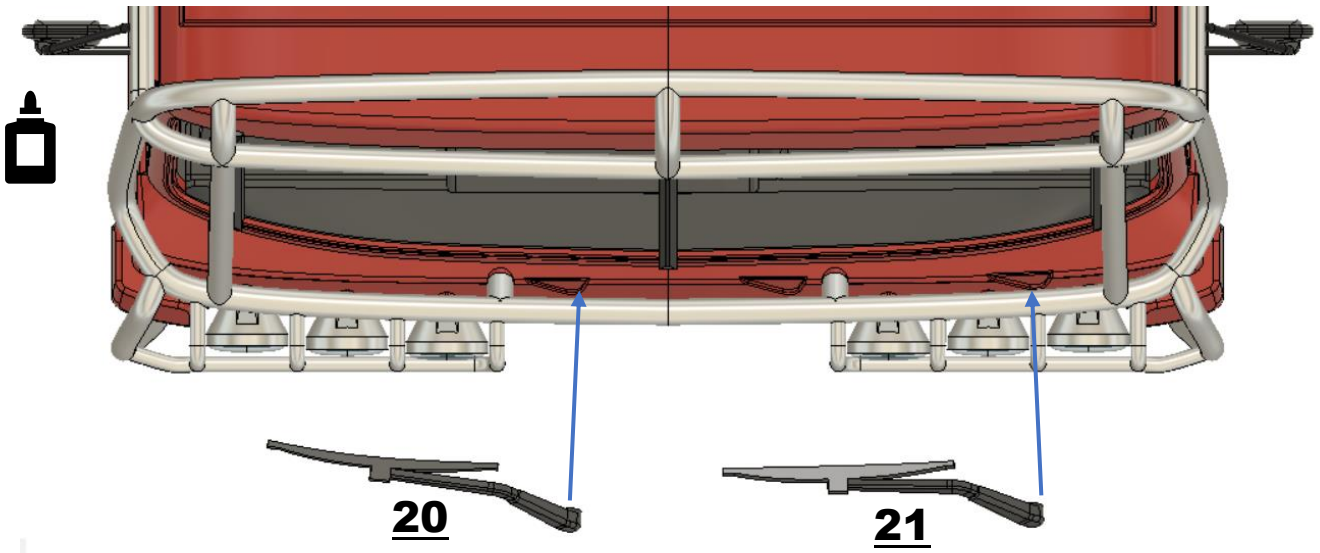
4xM2x10mm

4xM2x16mm

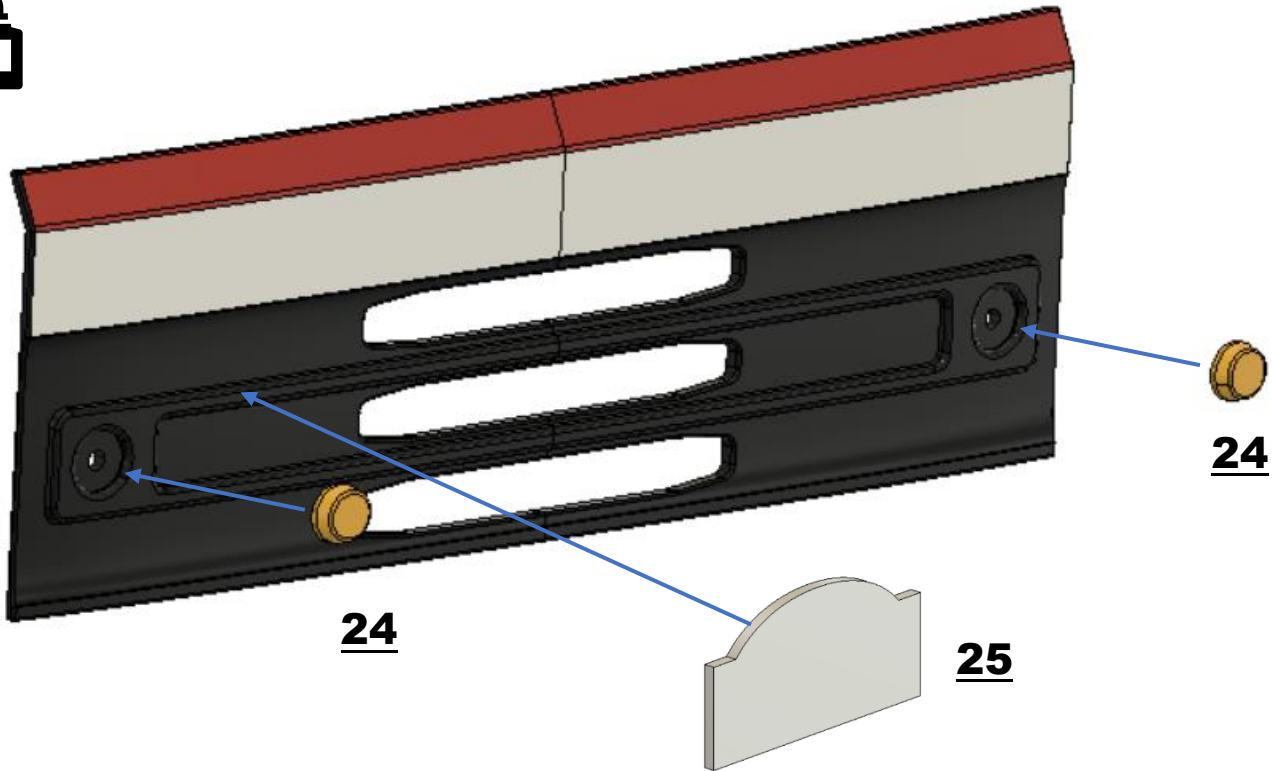
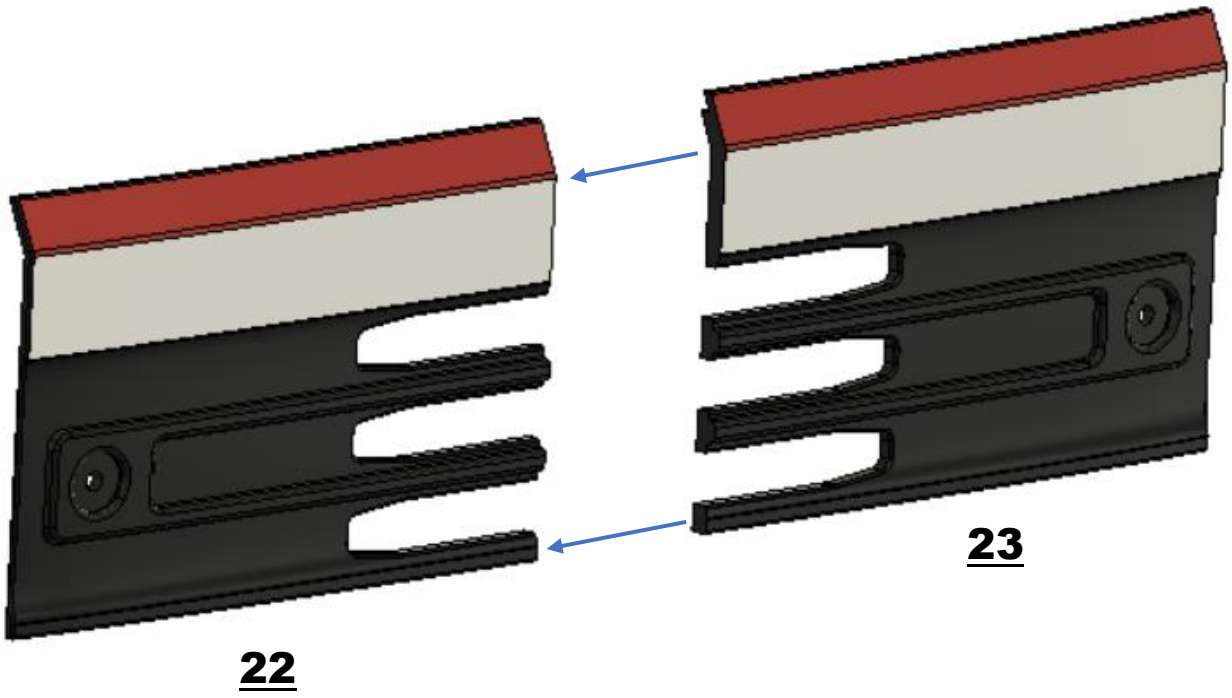
2xM2x8mm



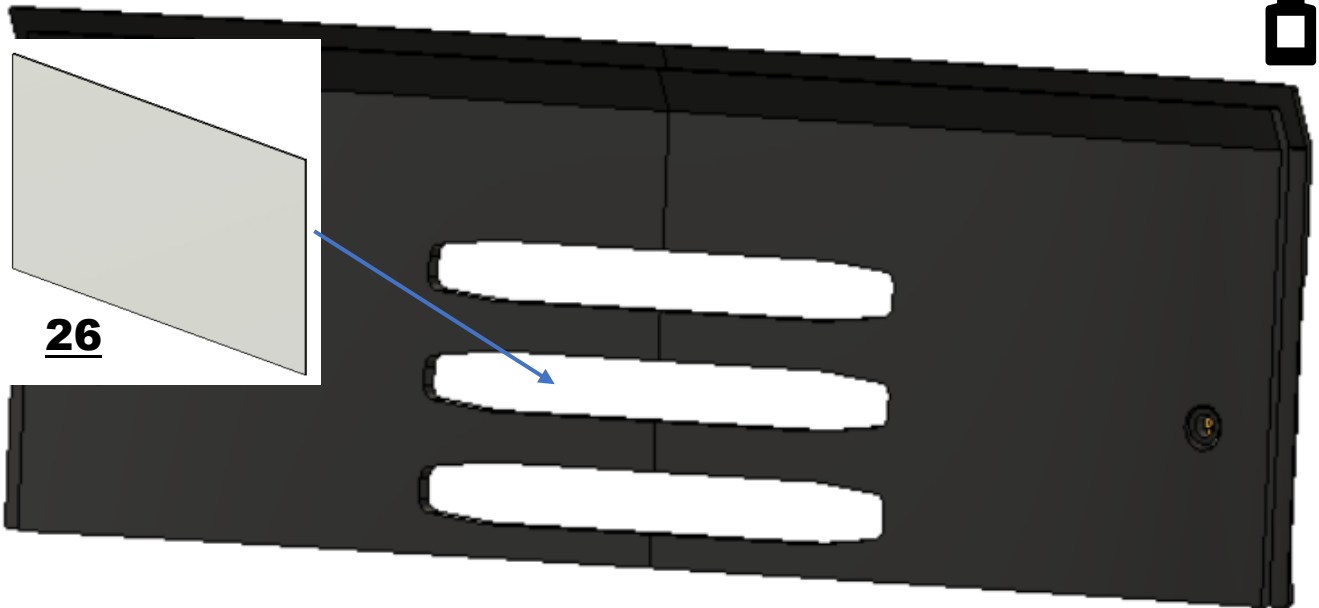
Cabin



Cabin



Cabin

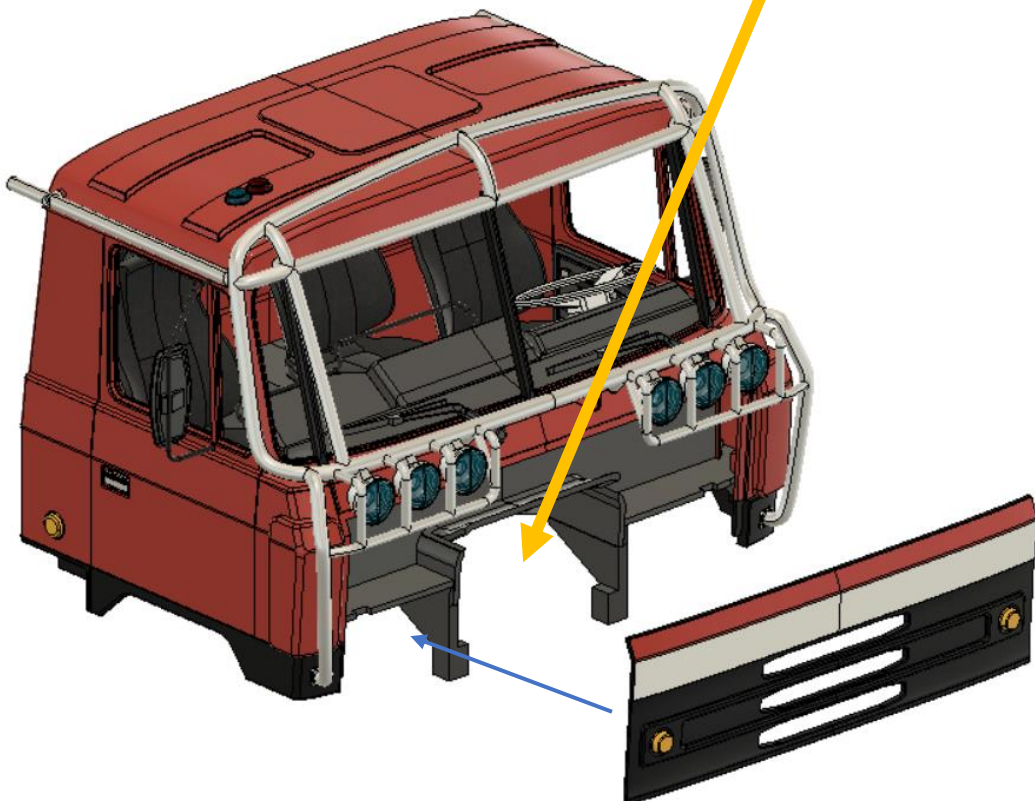


Insert LED 3mm yellow.

Leave the LED legs a little longer and bend them upwards or downwards. Place the part in place and check that the LED is not obstructing the seating.

For better access to the wires, I recommend gluing the front mask when you think about where you will lead all the wires. And it is also a good idea to settle the stickers first (in the case of varnishing)

I recommend guiding the conductors through the tunnel.



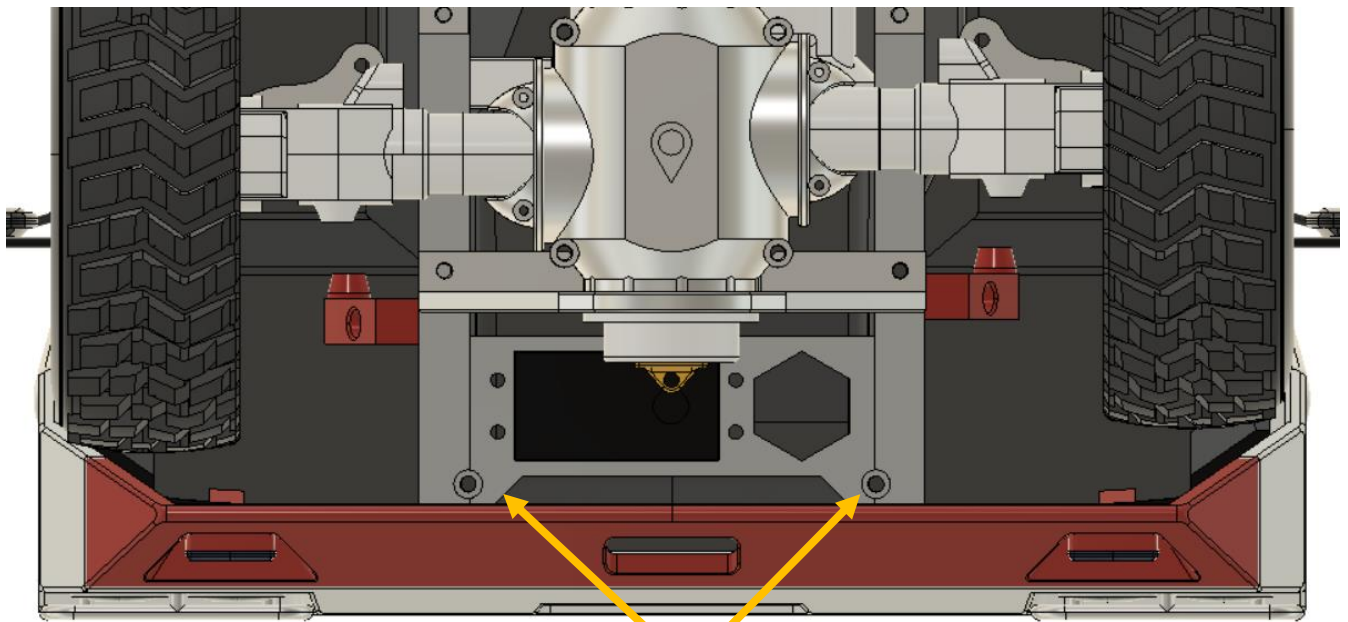
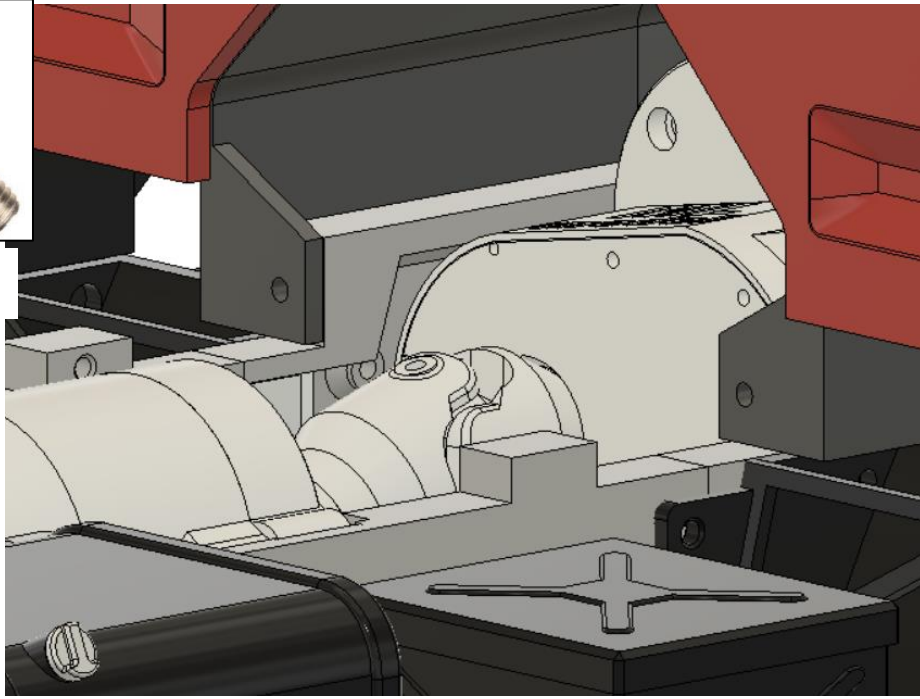
Cabin



Cabin



2xM3x8mm

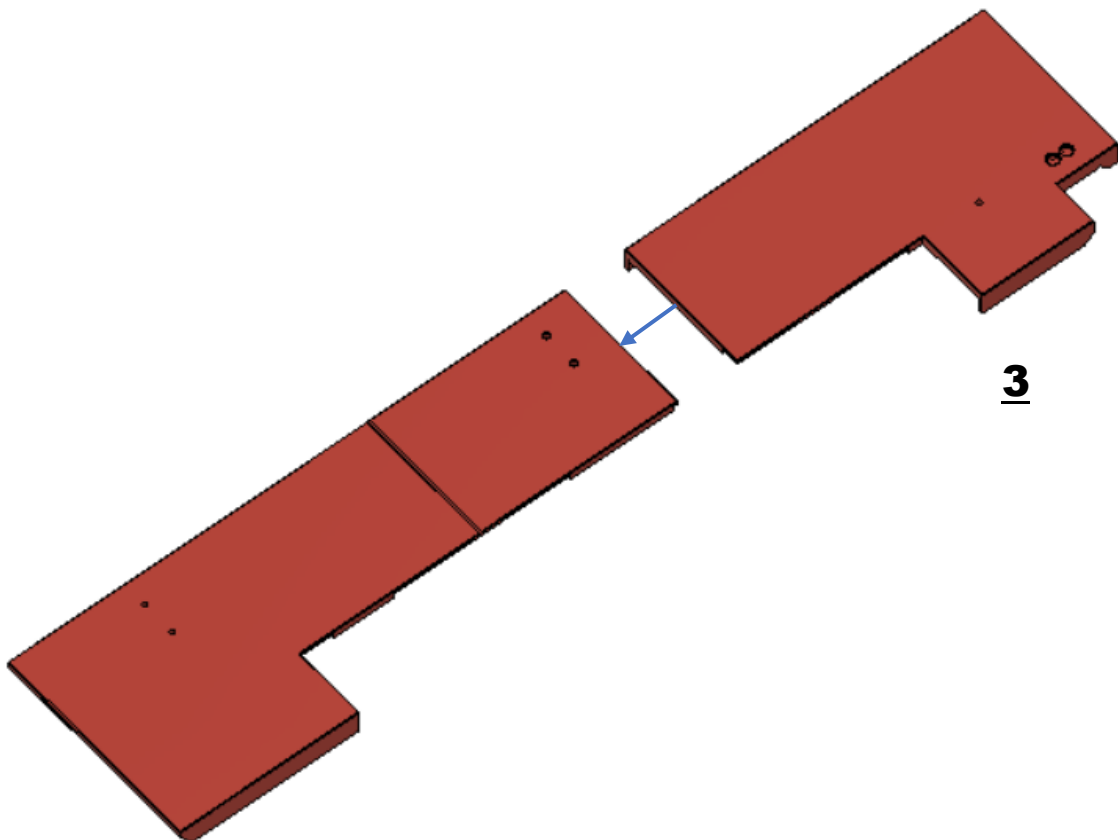
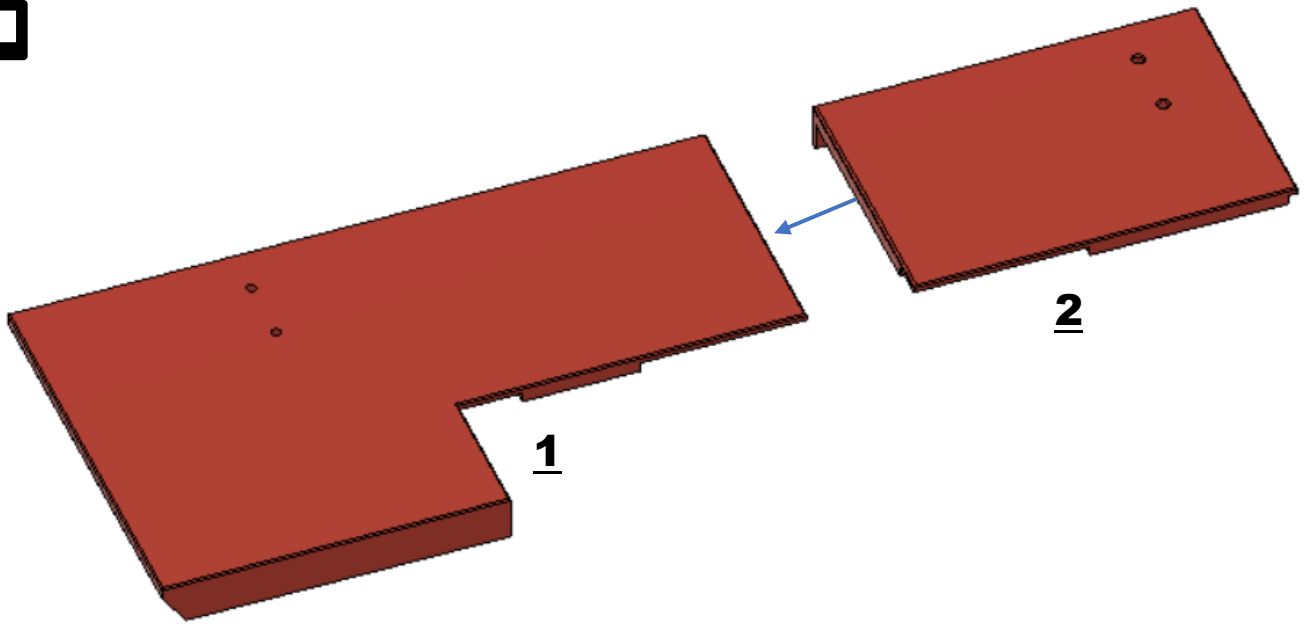


2xM3x8mm

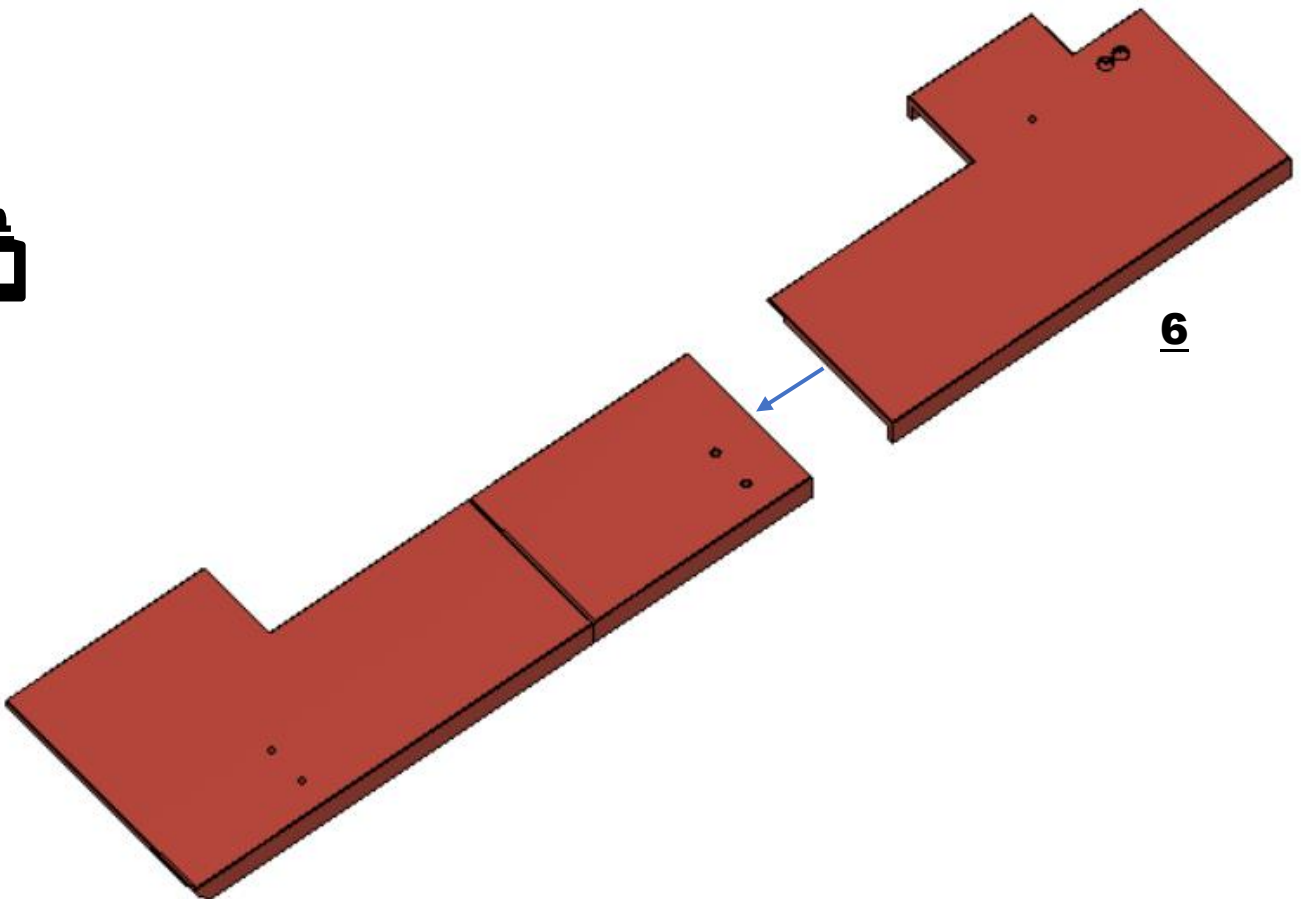
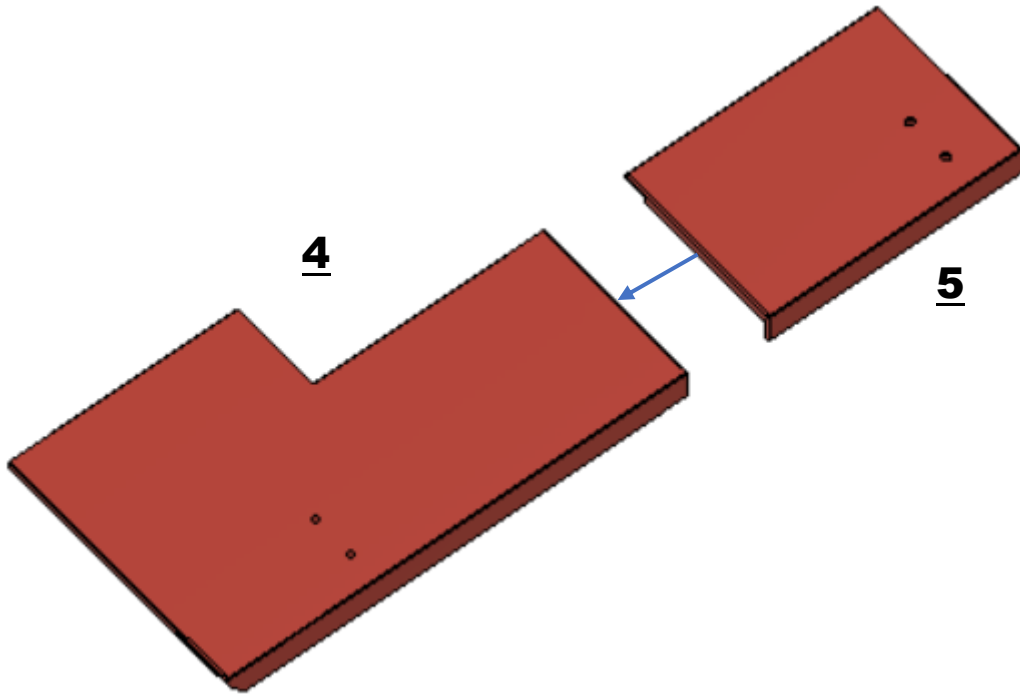
Cabin



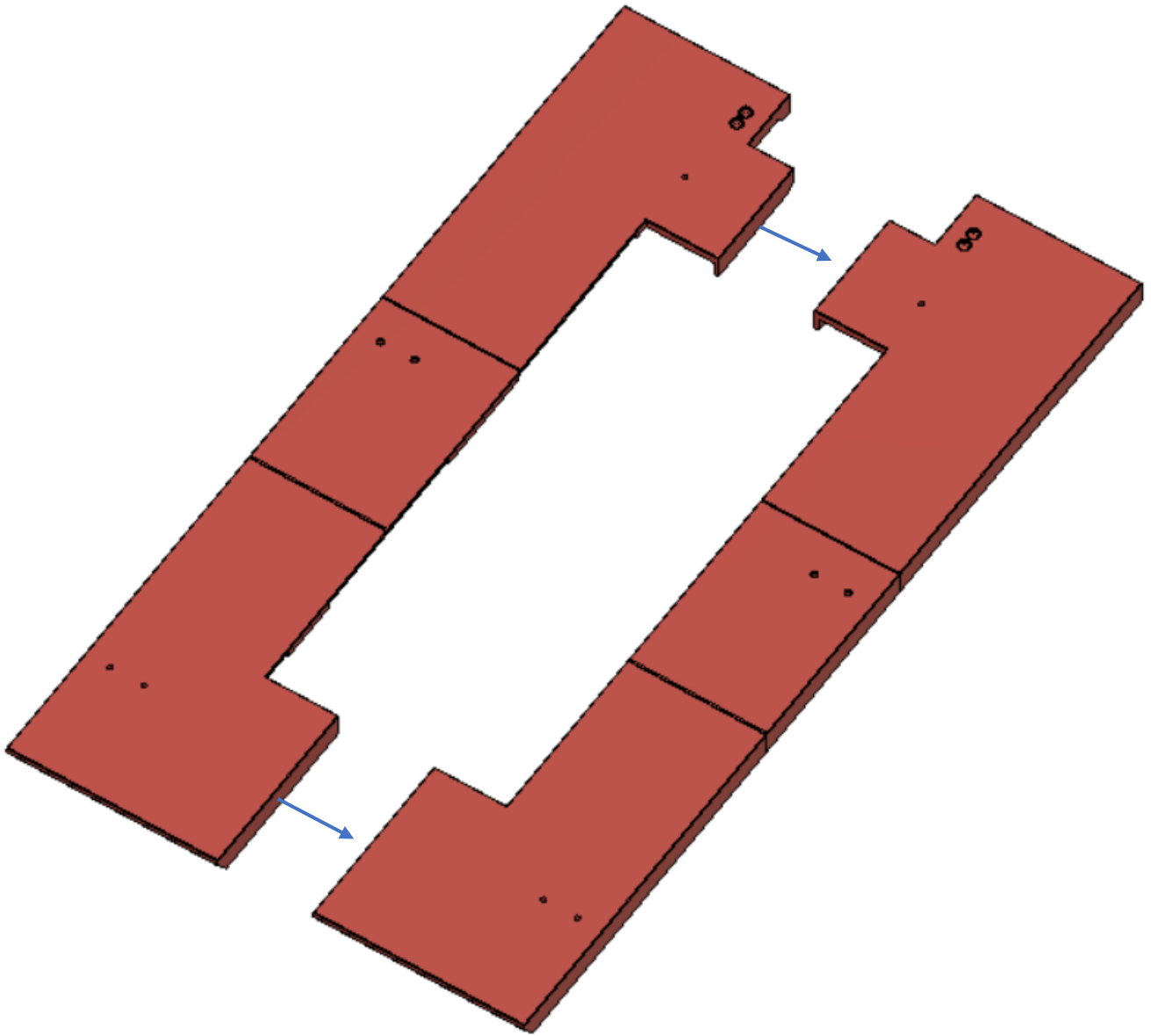
Bodywork



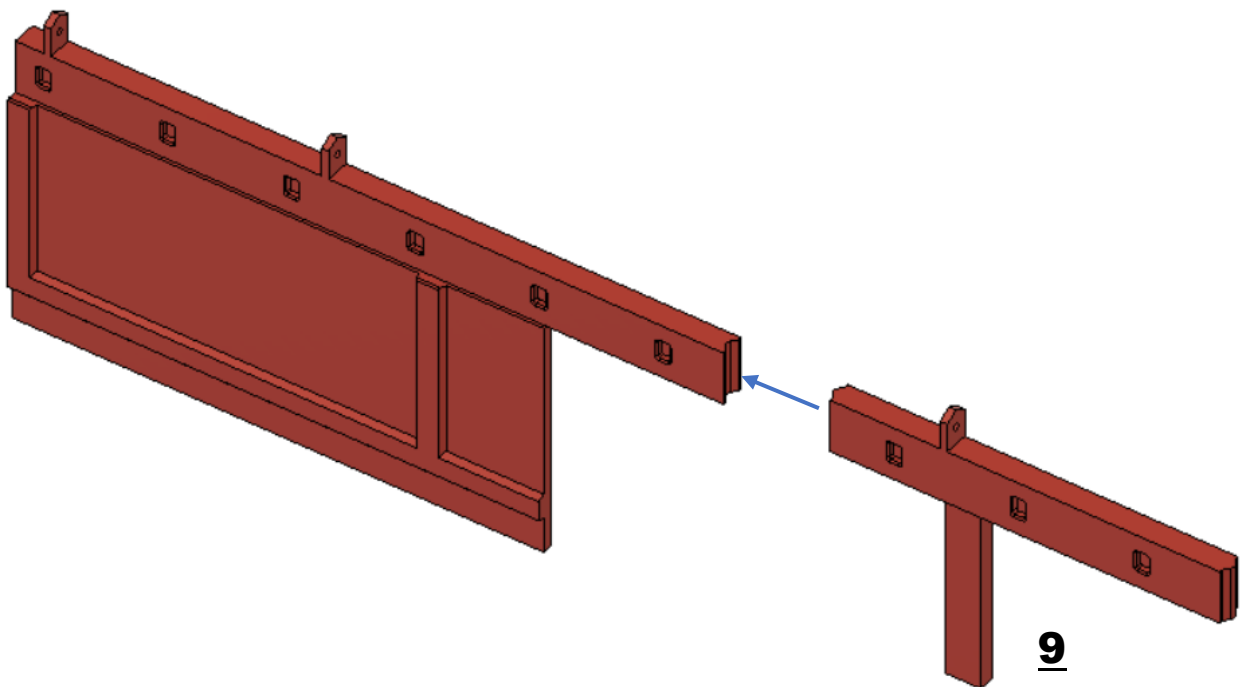
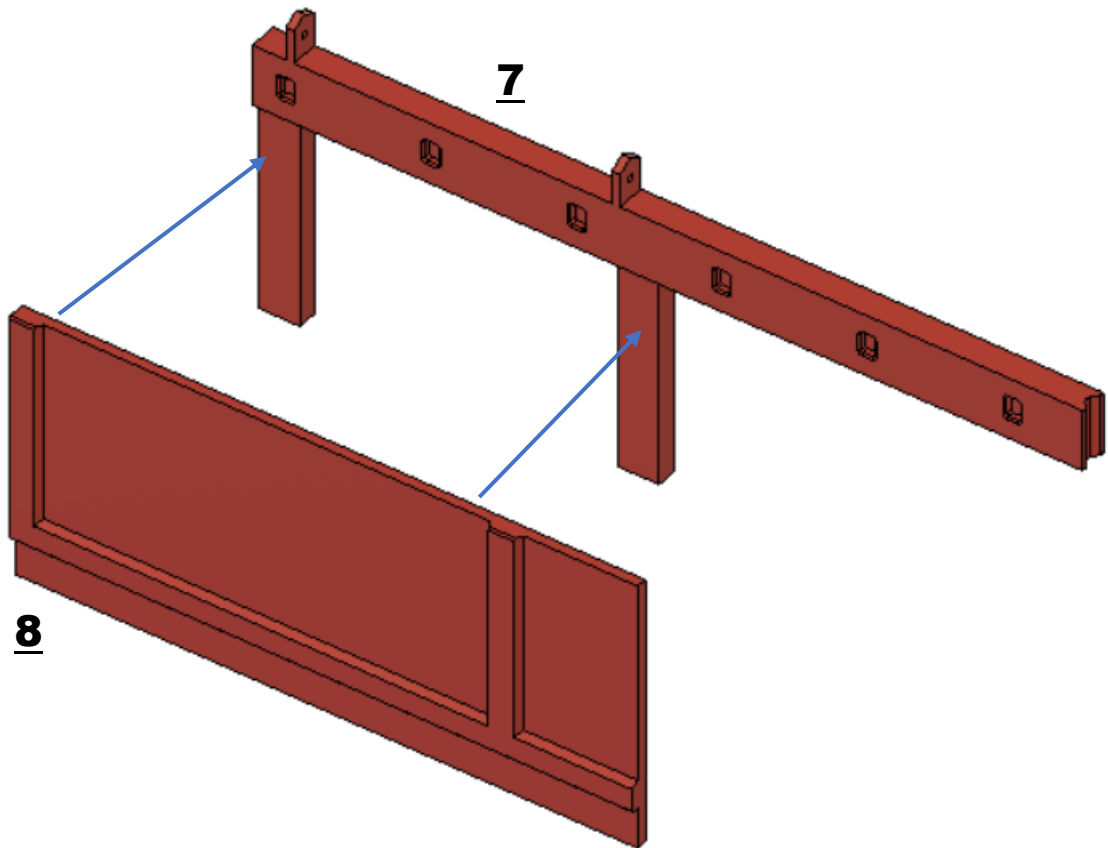
Bodywork



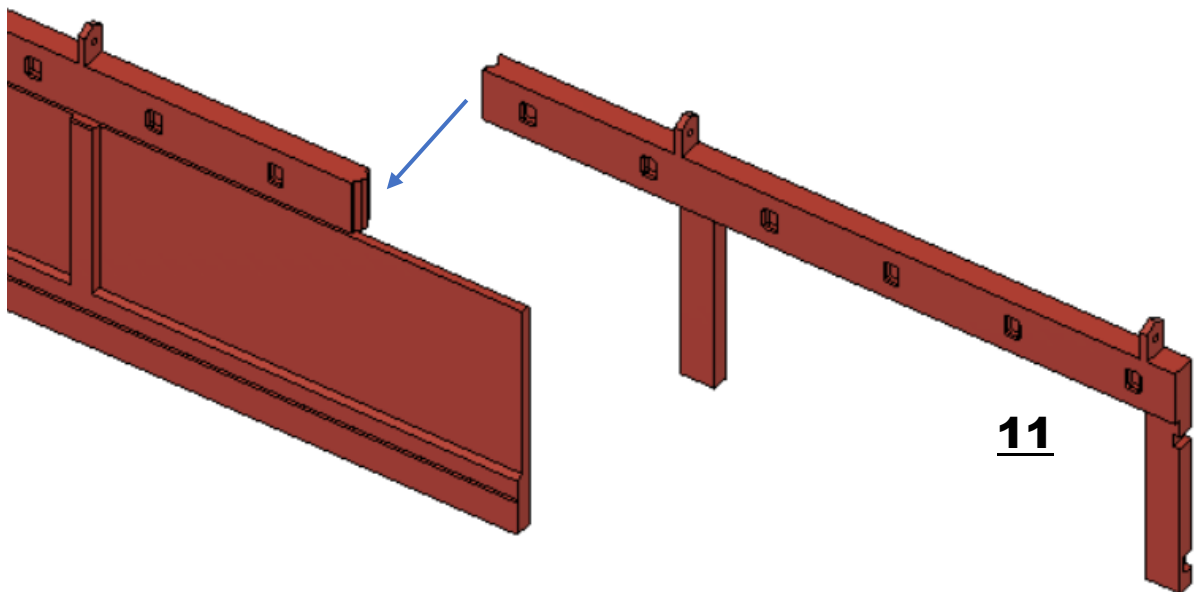
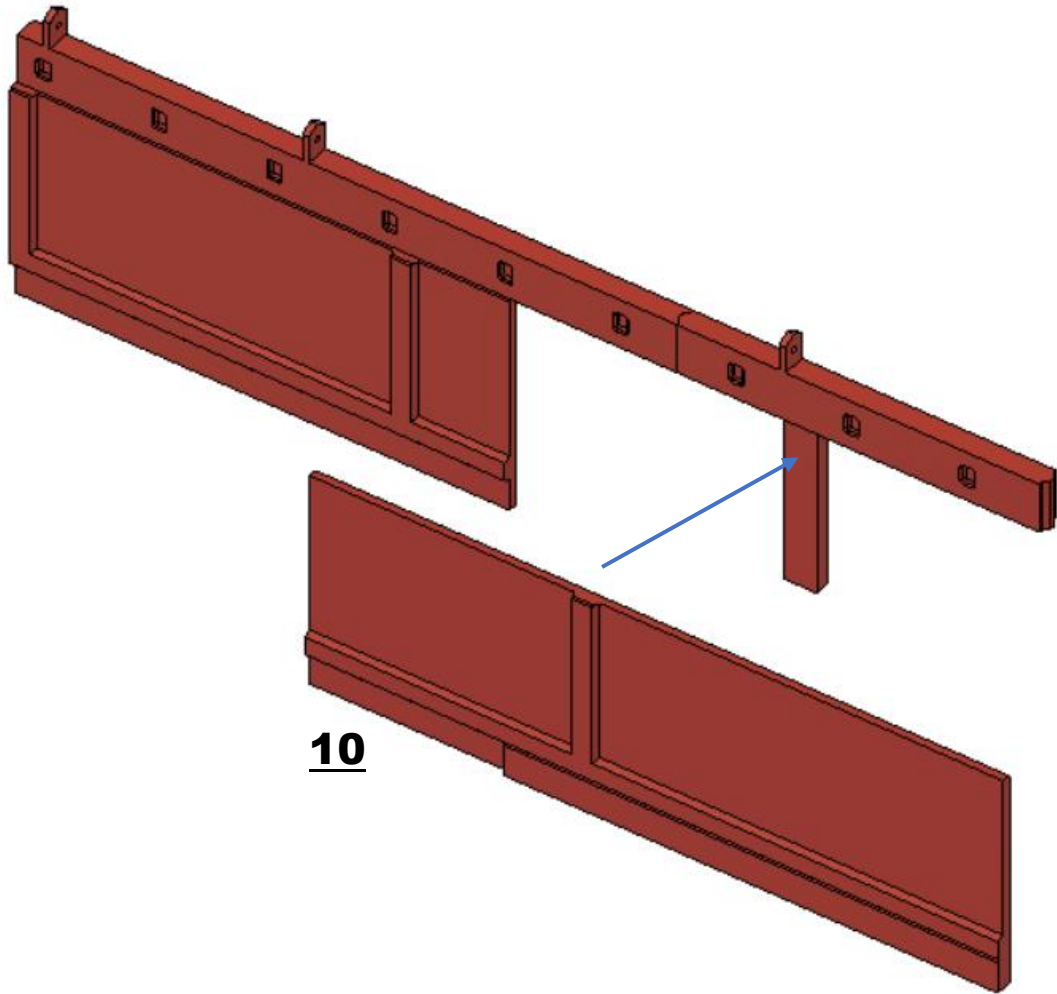
Bodywork



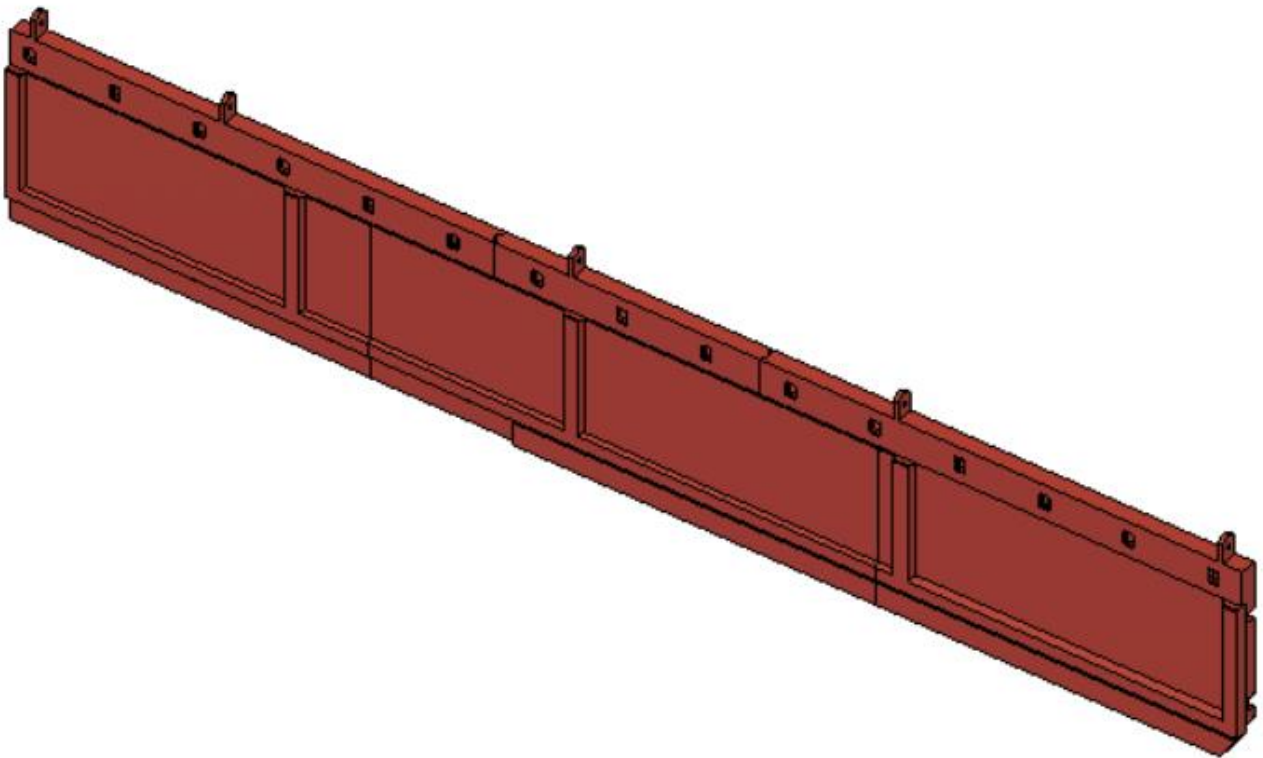
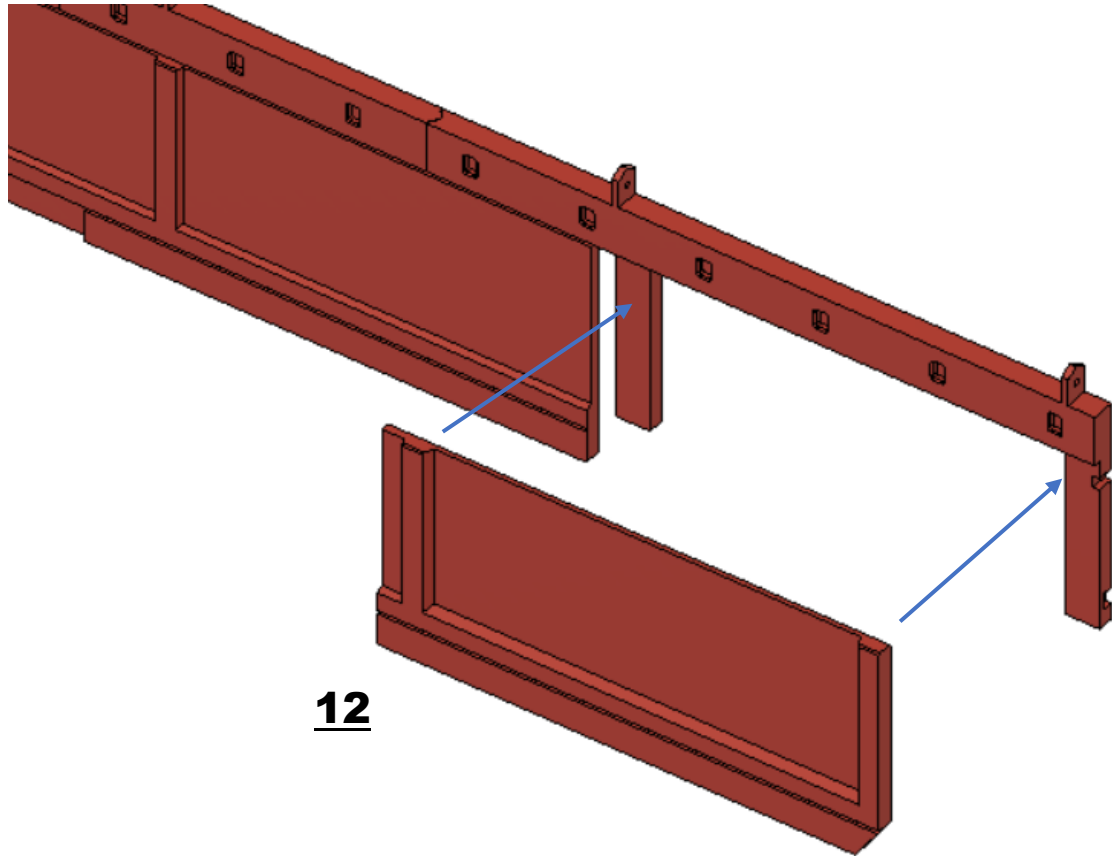
Bodywork



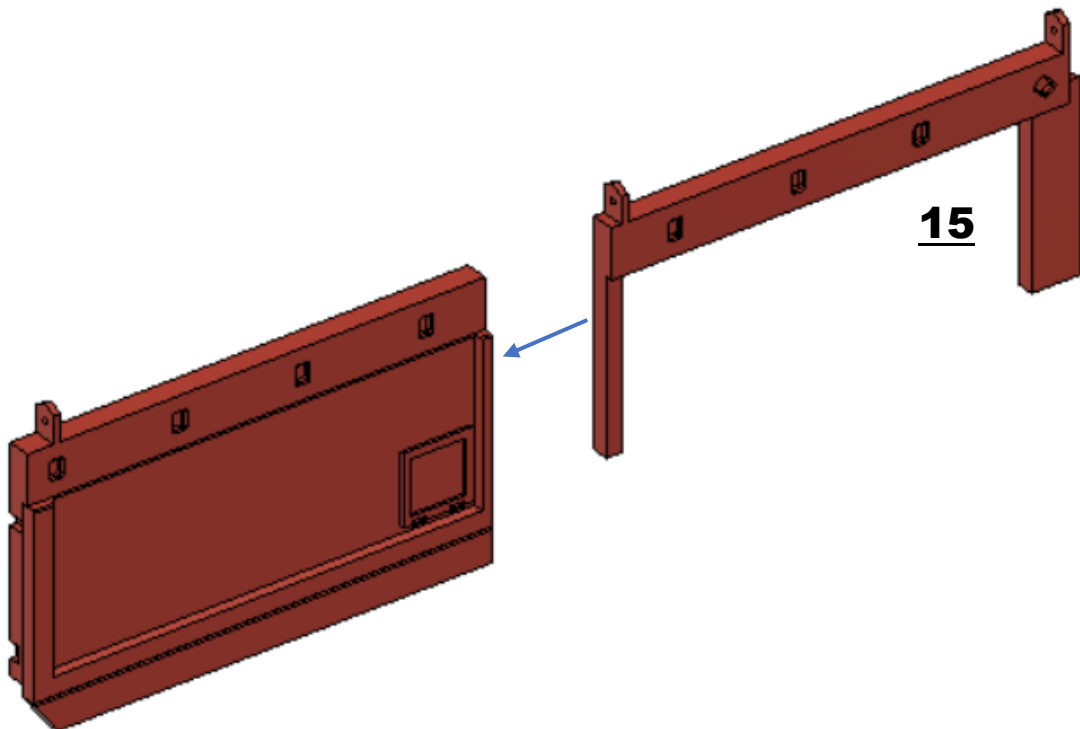
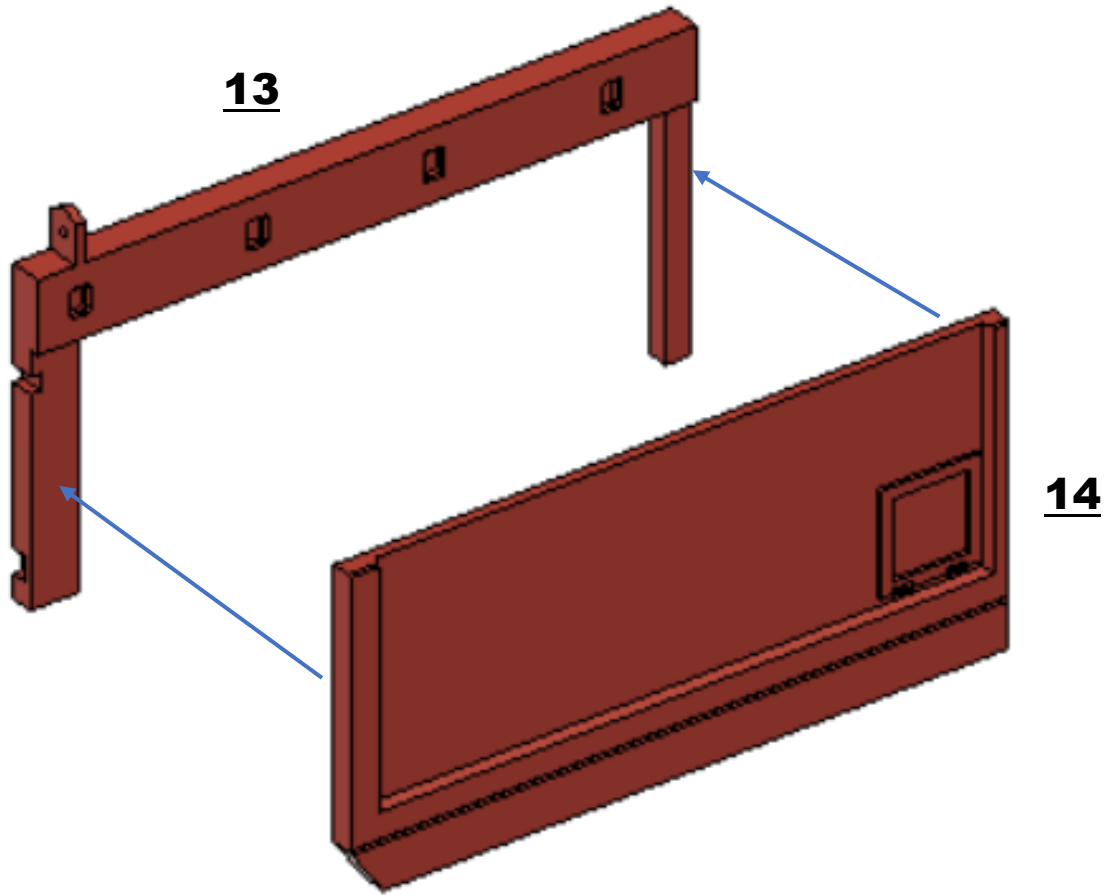
Bodywork



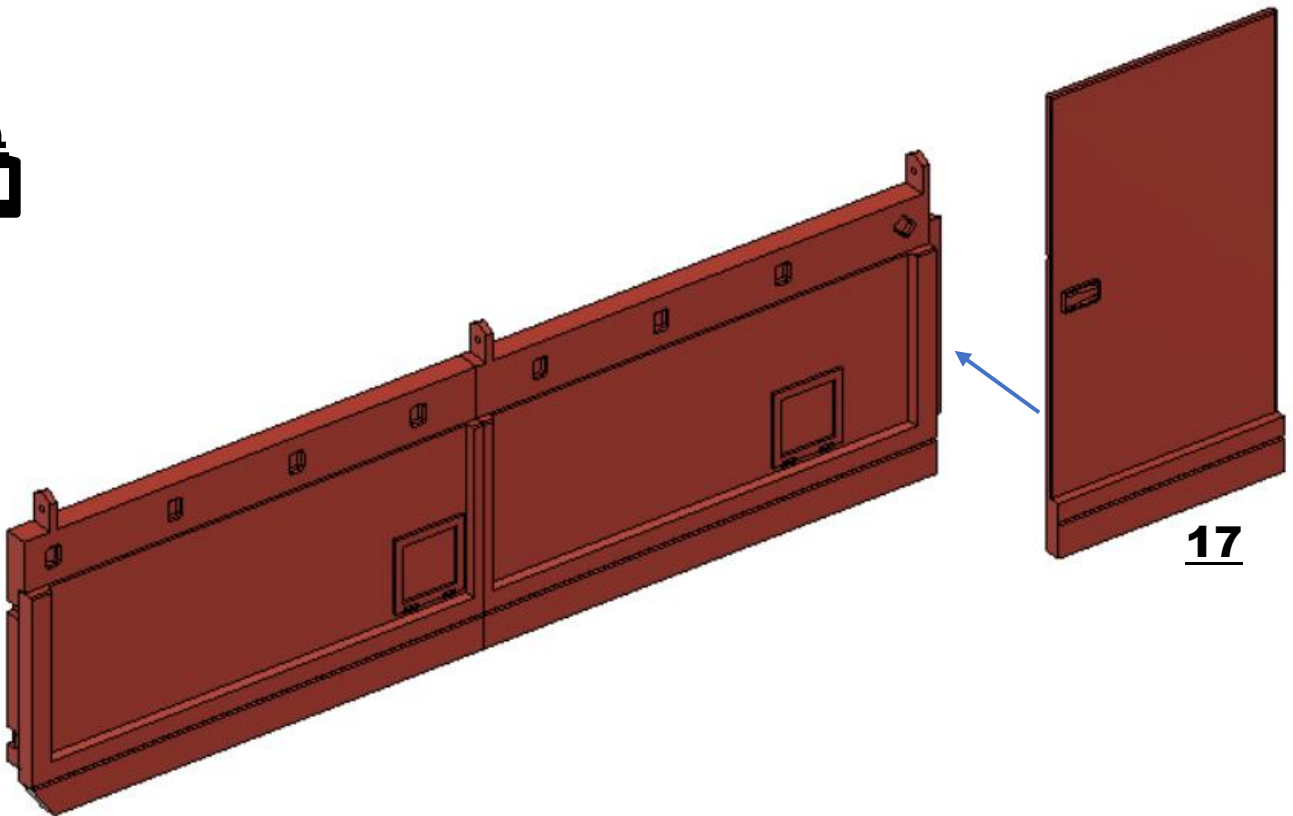
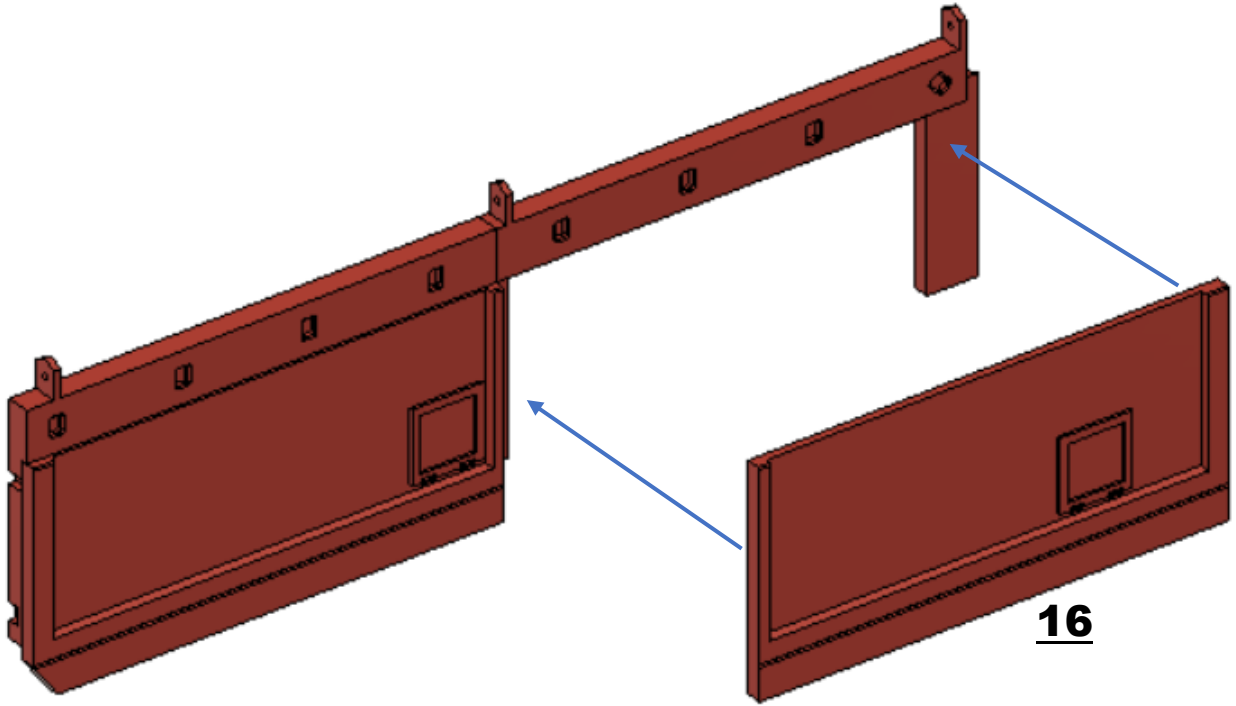
Bodywork



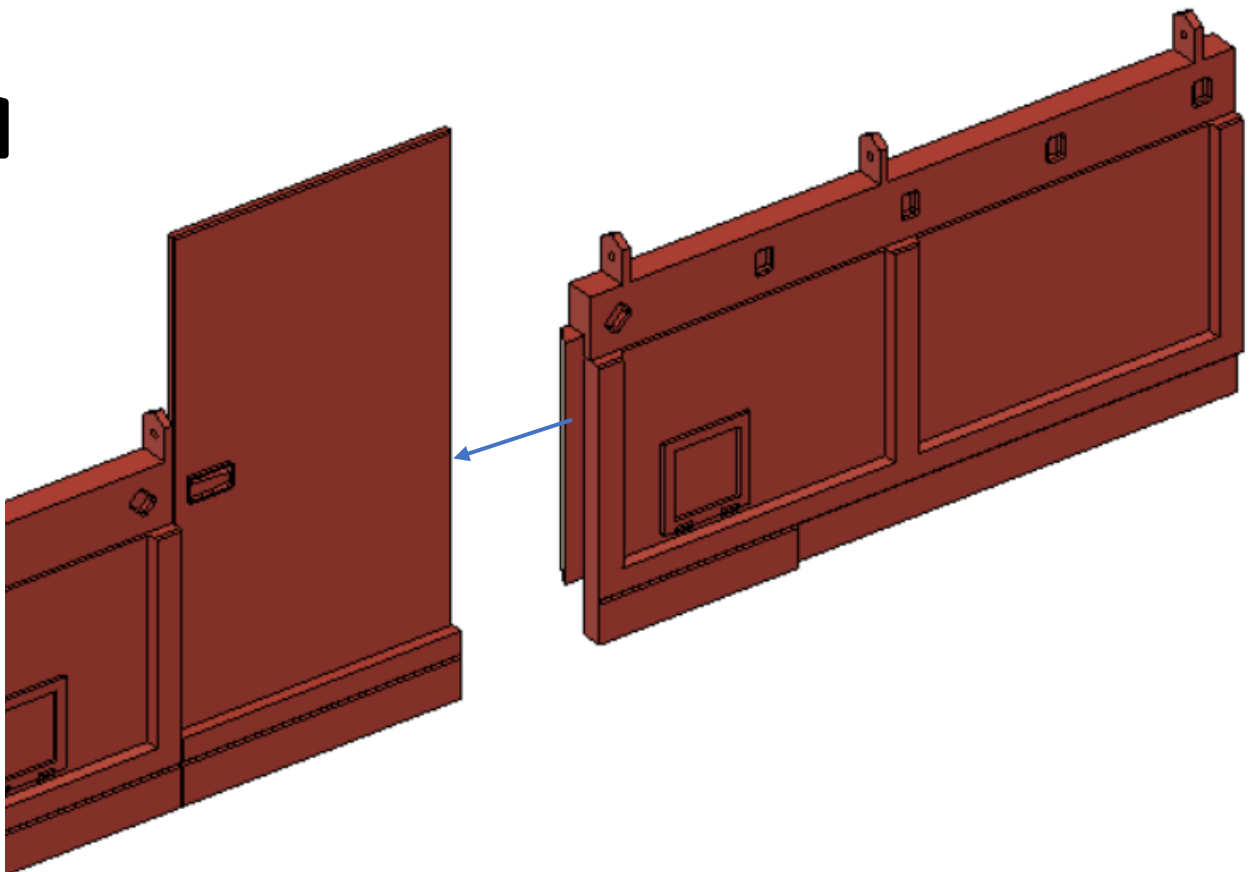
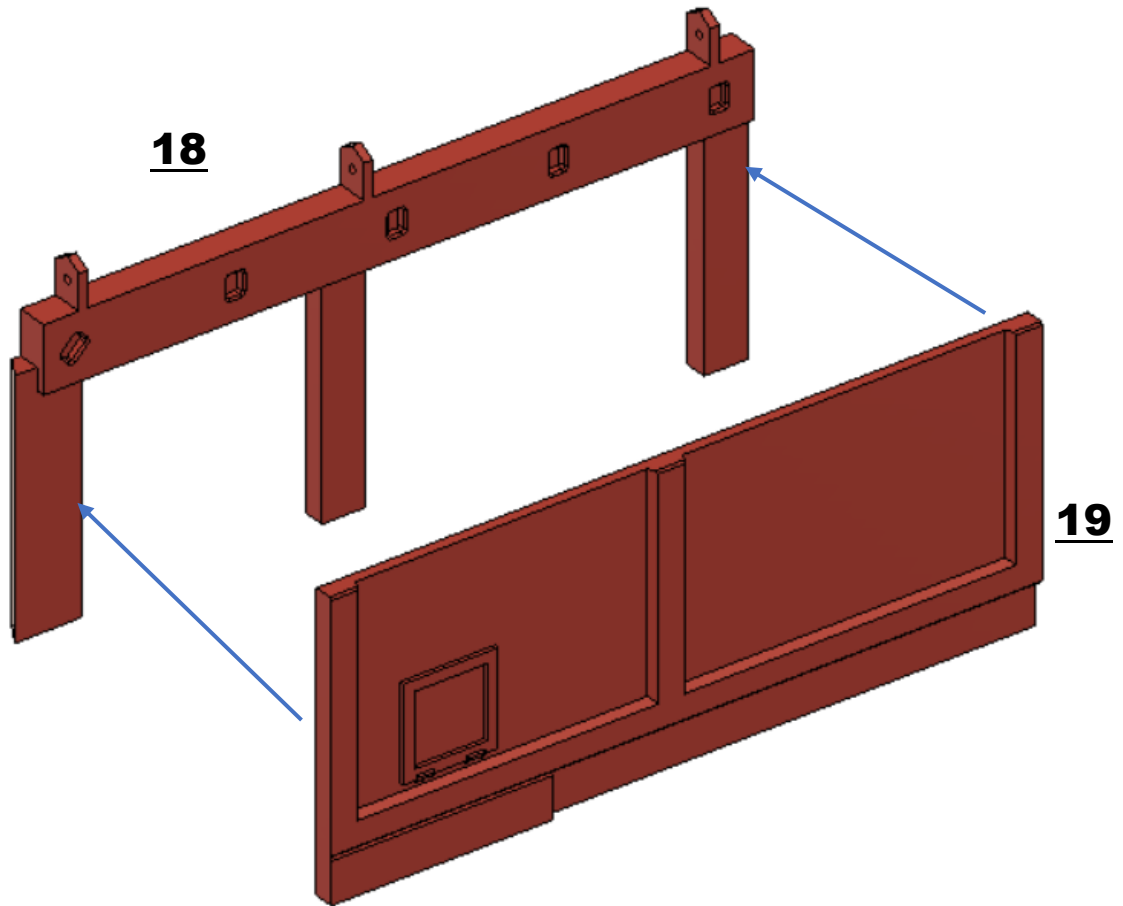
Bodywork



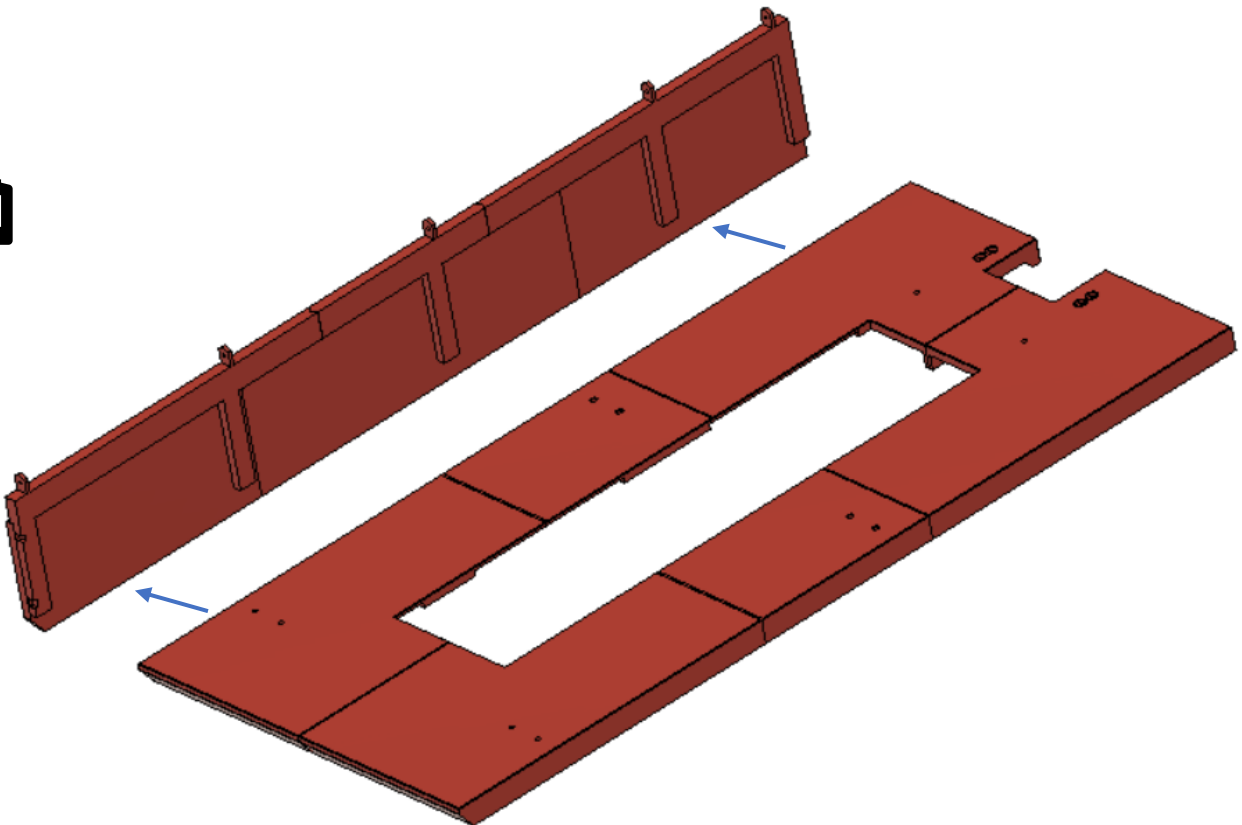
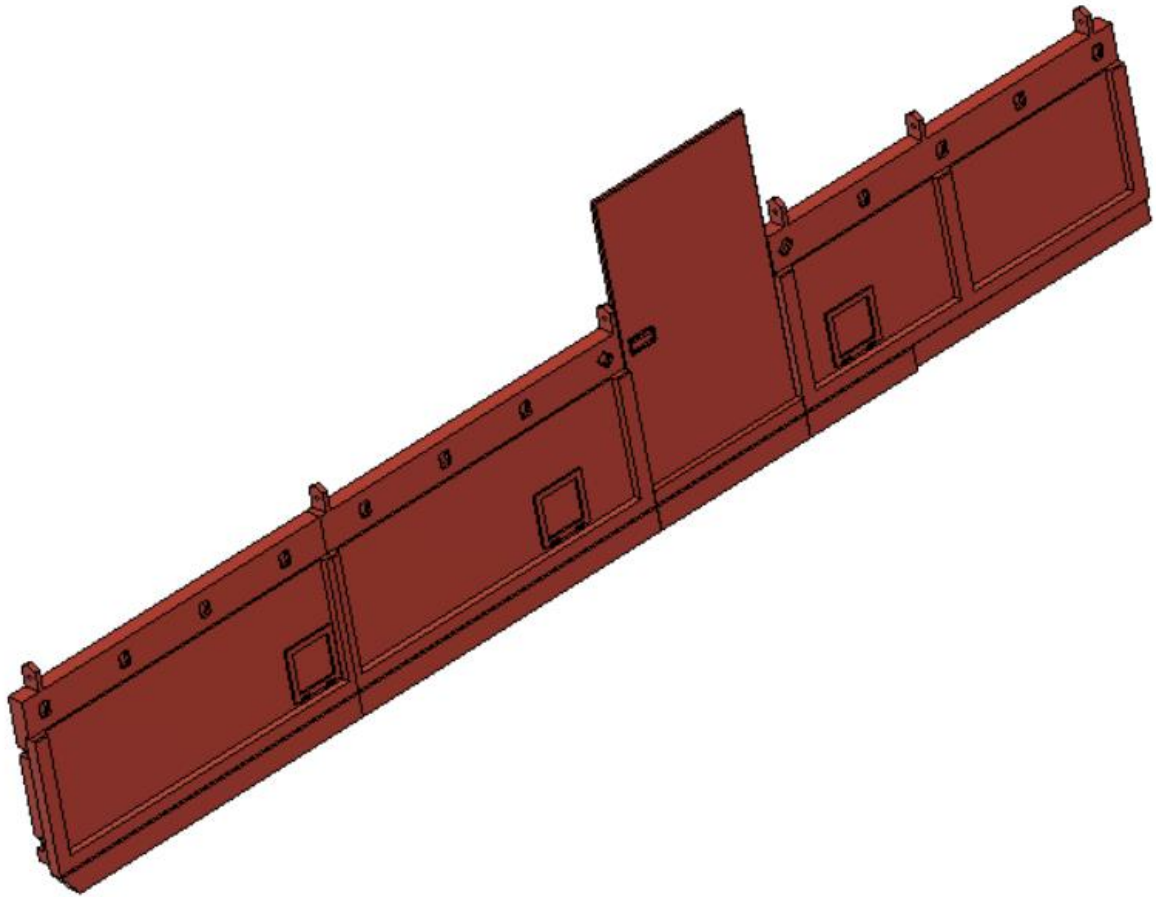
Bodywork



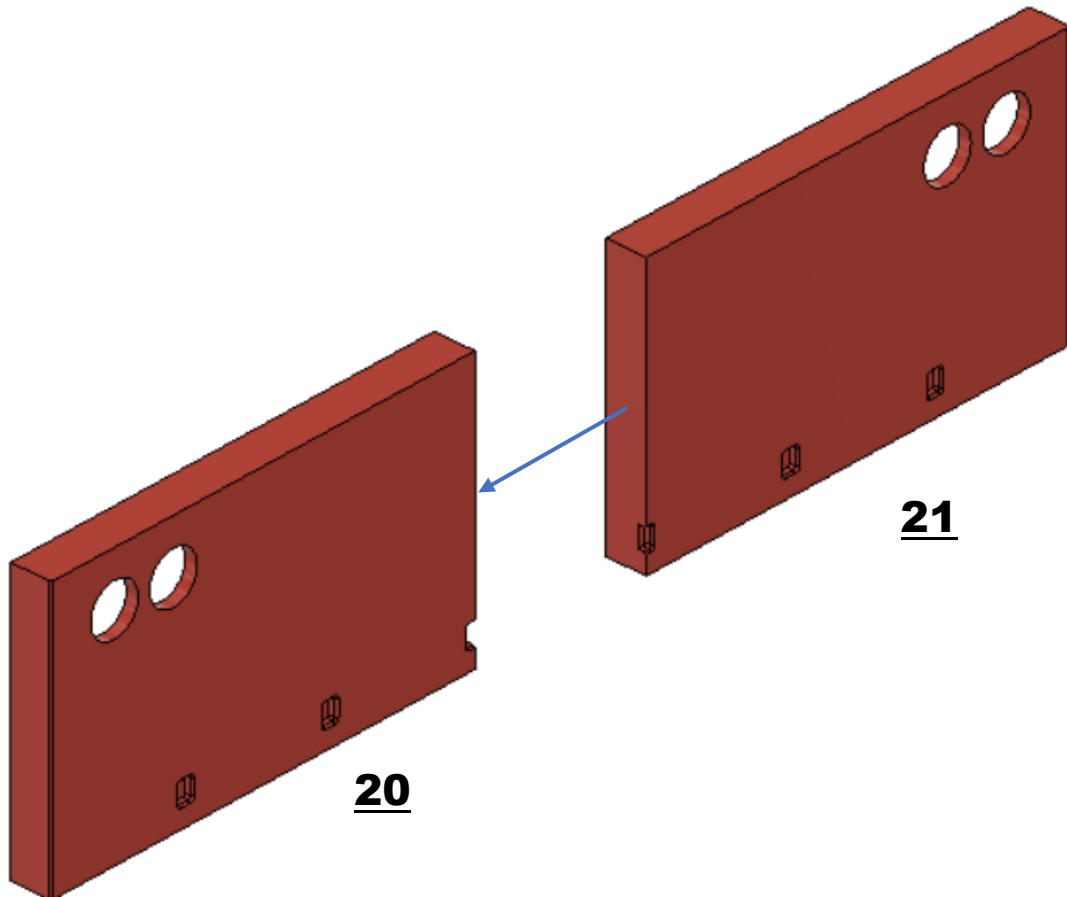
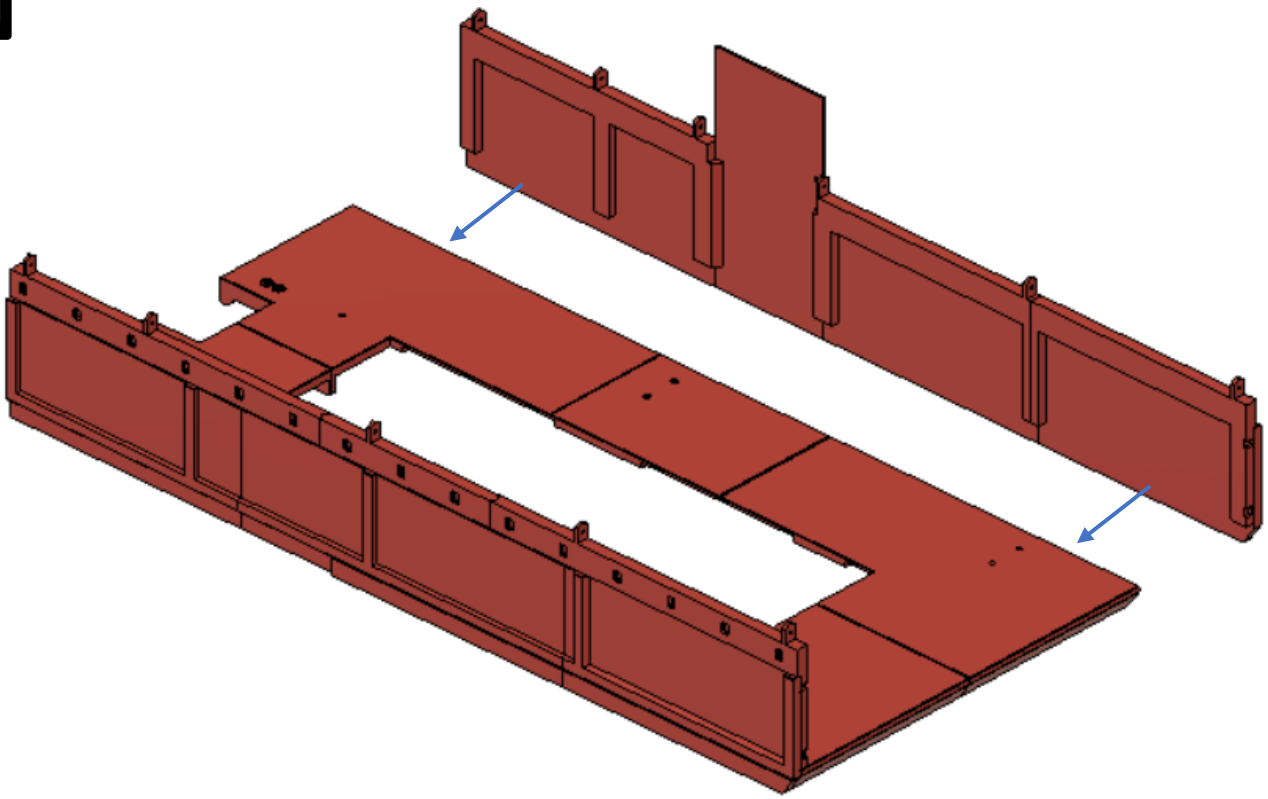
Bodywork



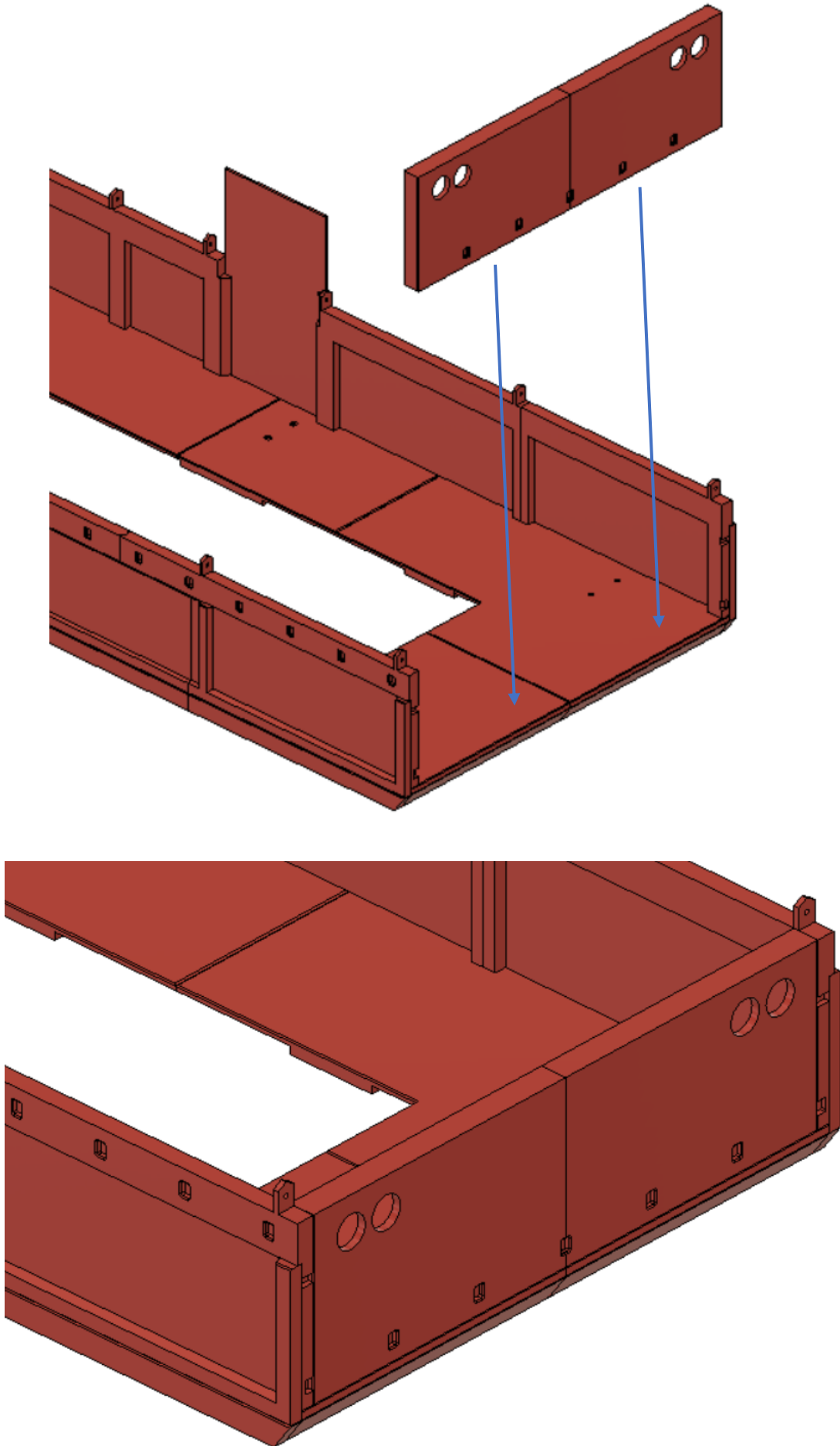
Bodywork



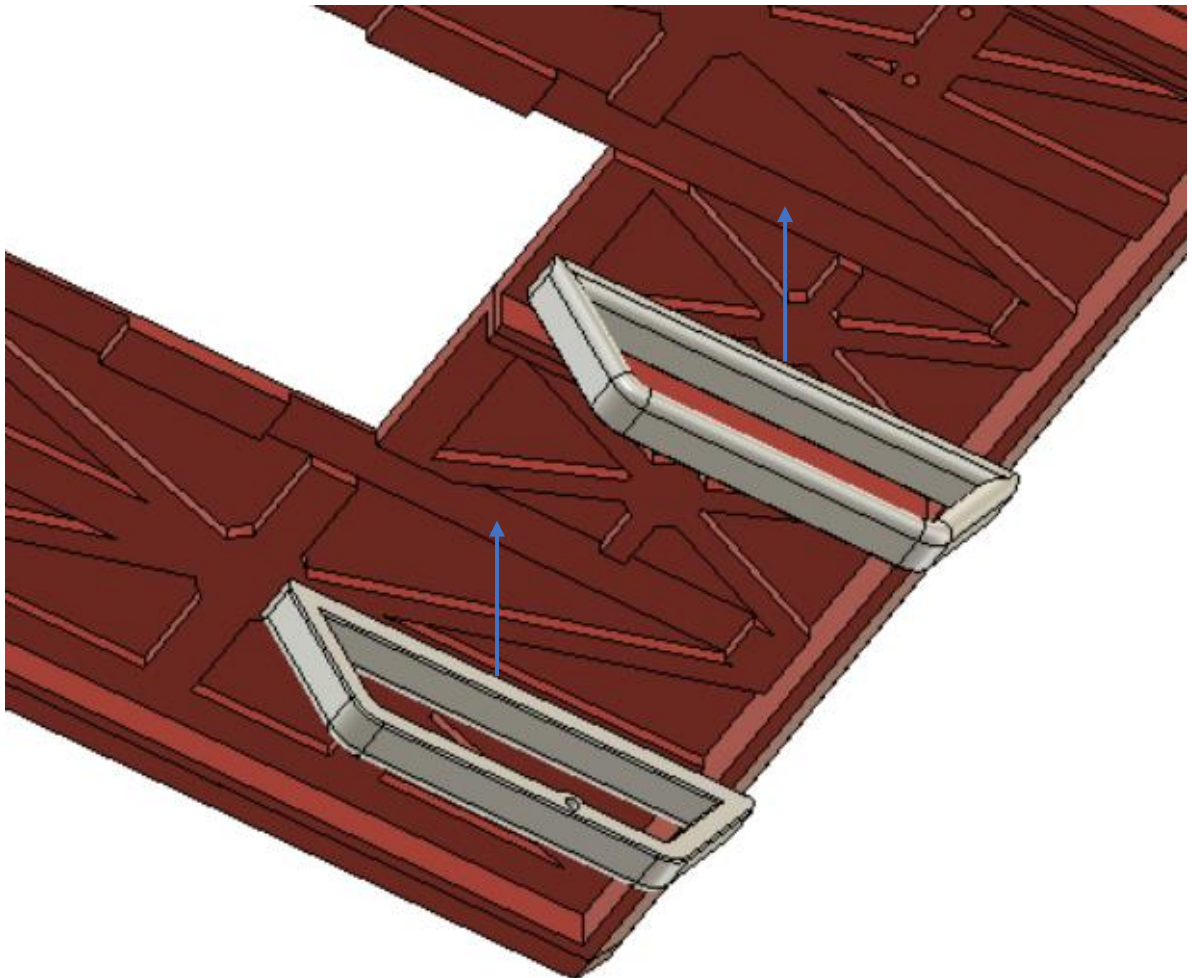
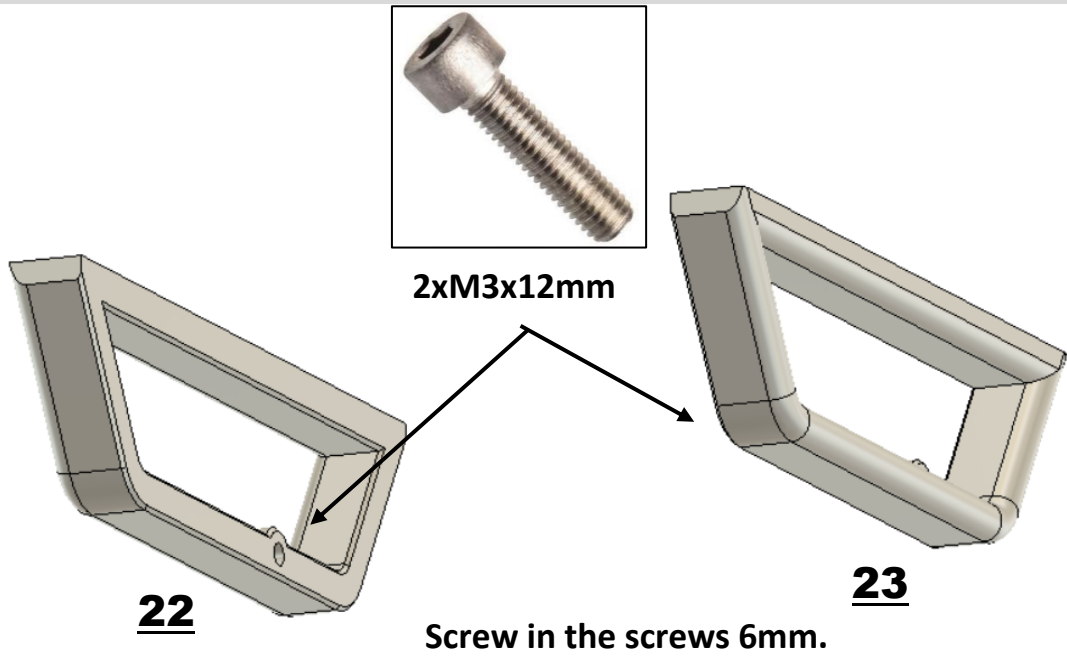
Bodywork



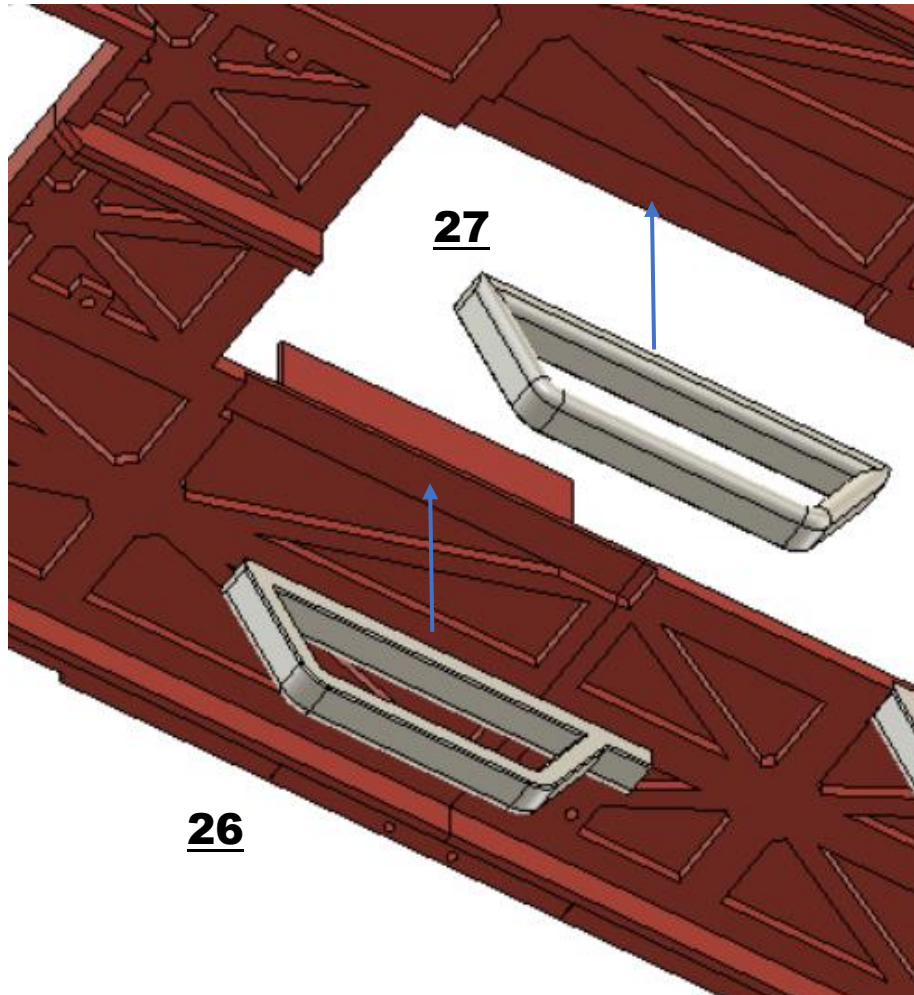
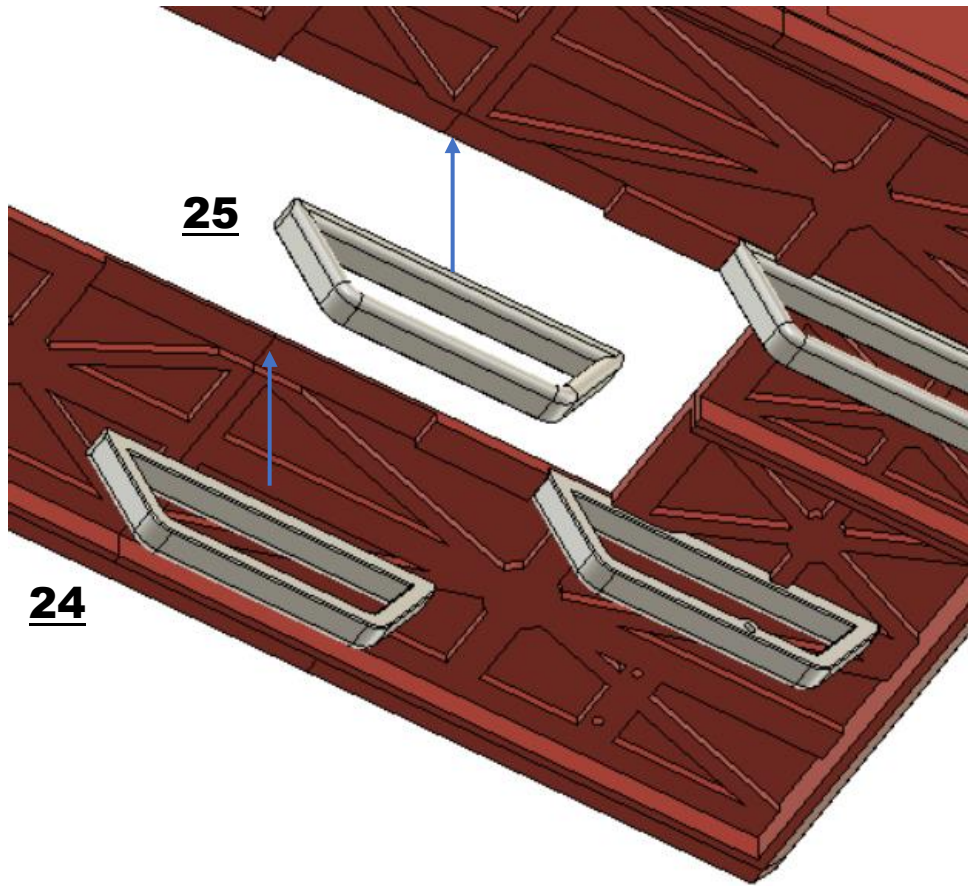
Bodywork



Bodywork



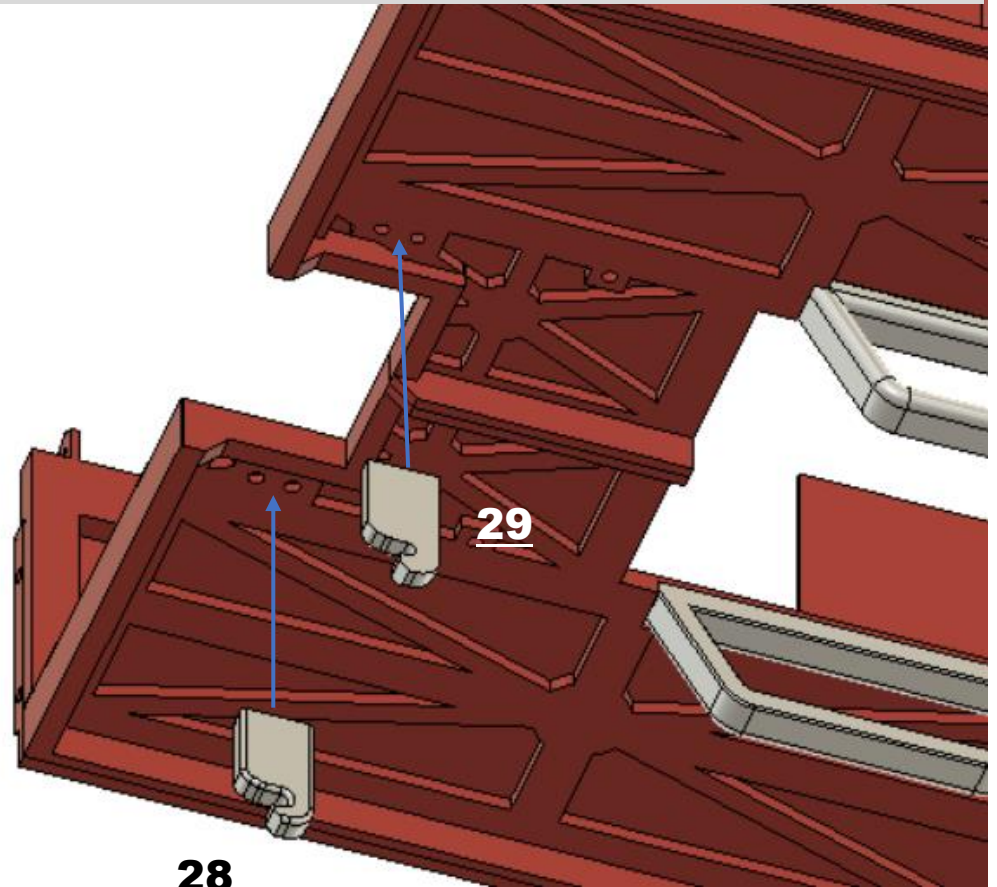
Bodywork



Bodywork



4xM3x10mm



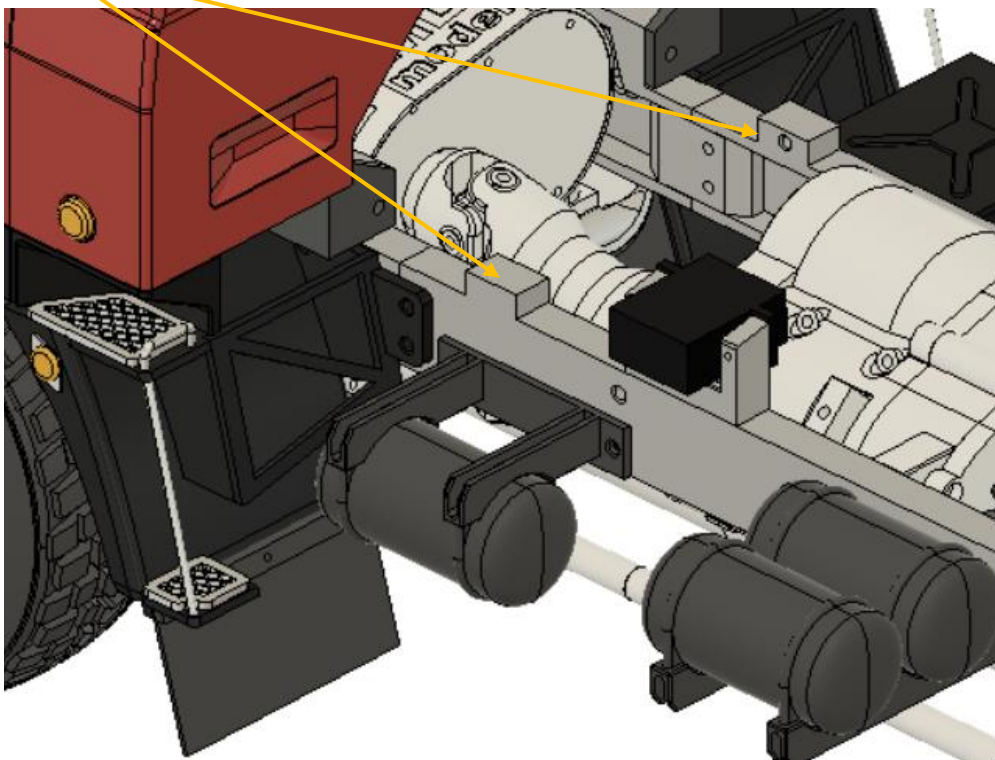
28

29

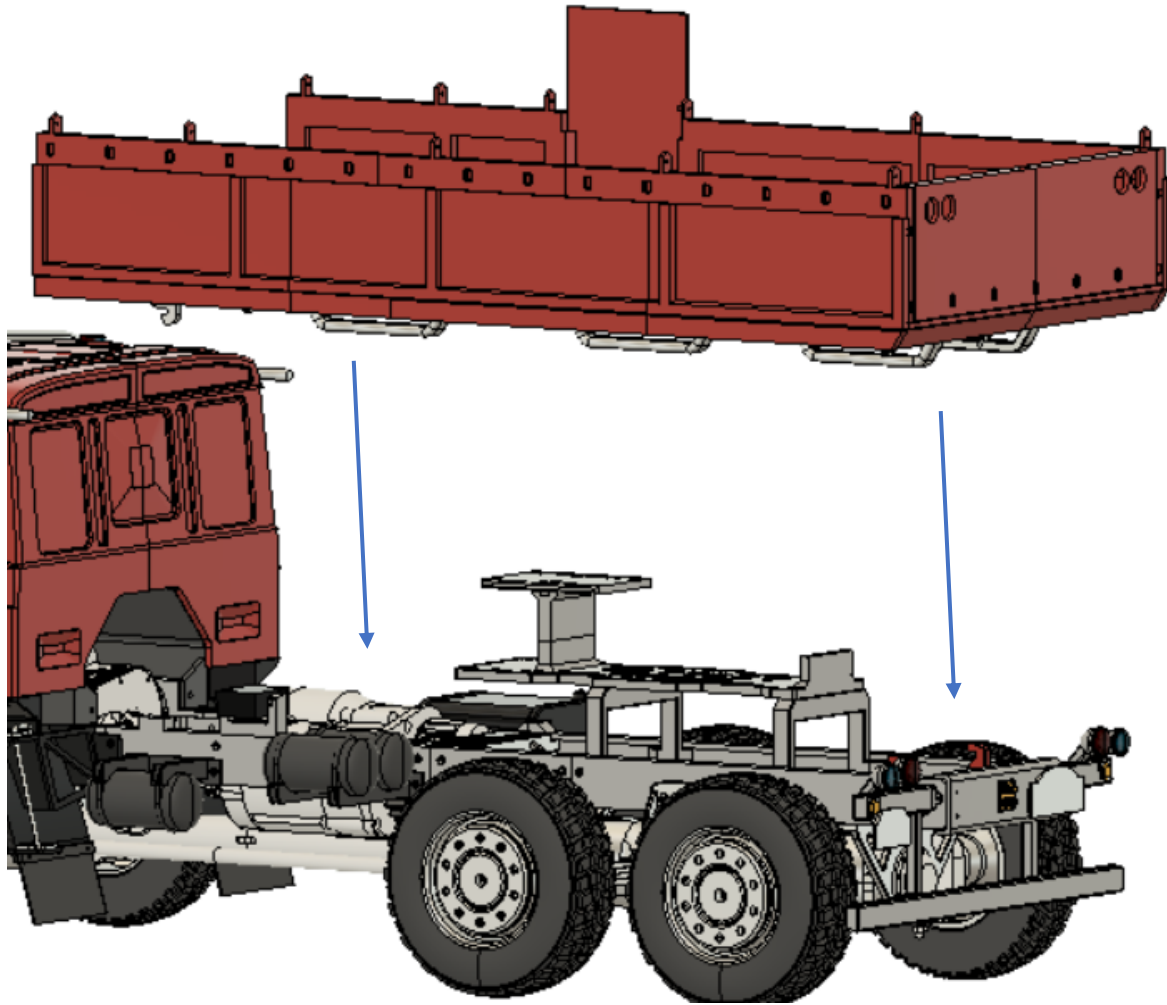


2xM3x12mm

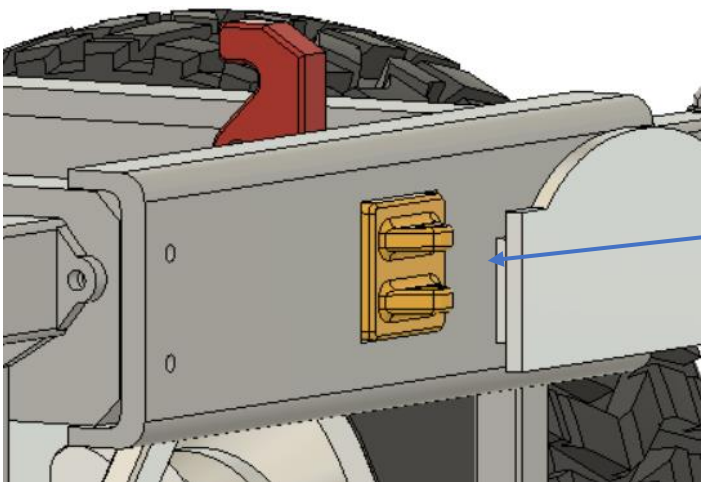
Screw in the screws 6mm.



Bodywork

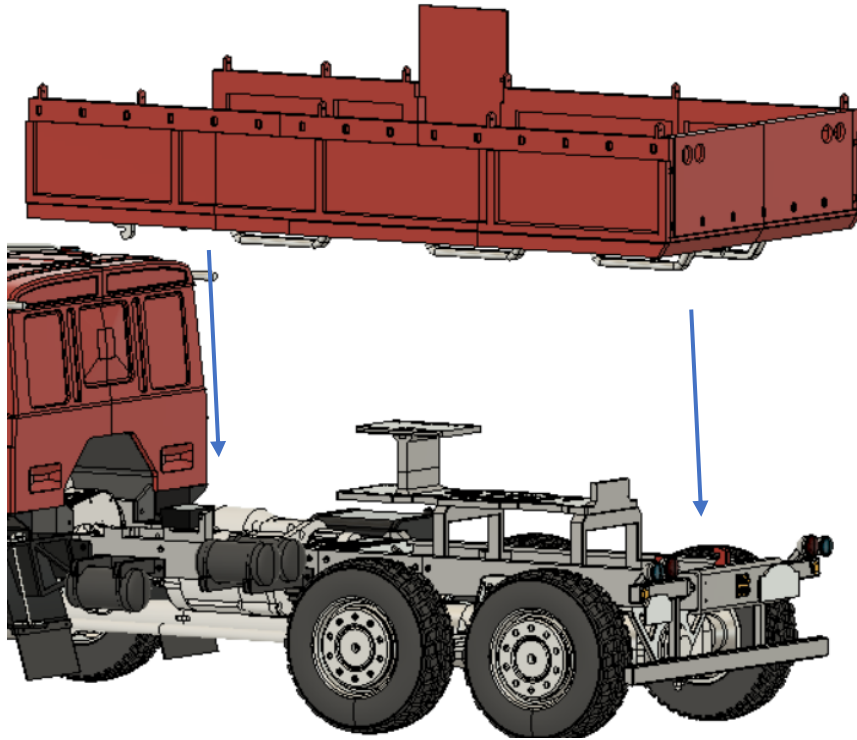


Method:

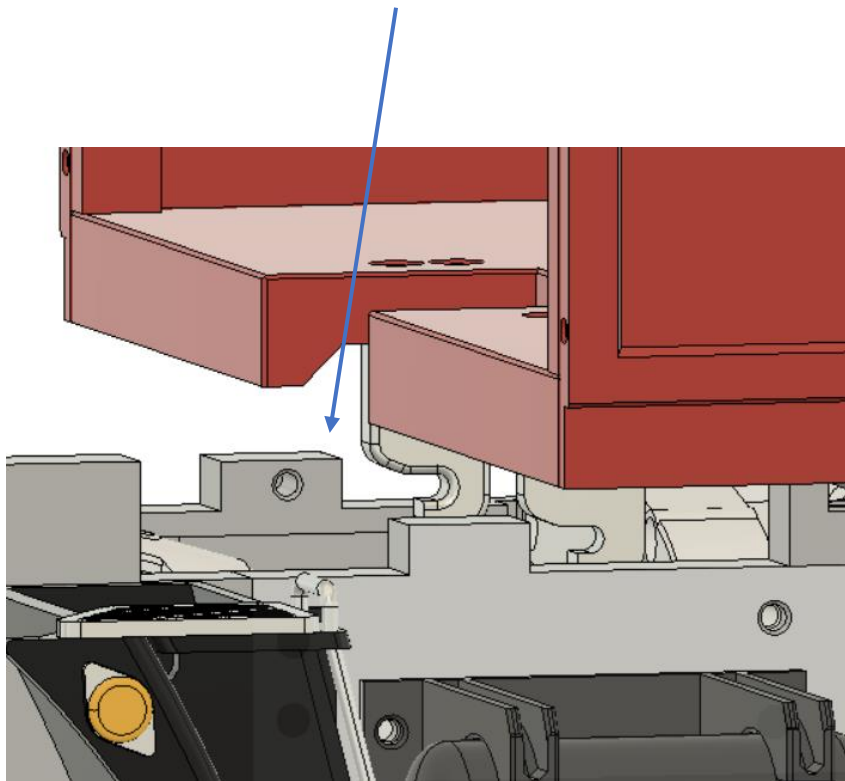


**1- press the
button**

Bodywork



2- Place the body on the chassis so that the front hooks are behind the front bolts



3- Slide the body towards the cab (still holding the button) until the screws engage the front hooks. Thought about the threaded part. The screw heads prevent lateral movement.

Unscrew/screw in the screws as needed so that the bed is easy and free of snags

Release the button. This will lock the body in place.

If there is a problem with this step or the hooks that are supposed to move do not fit, you will have to grind until everything is as intended.

Body removal:

1- Press the button

2- Raise the back of the body

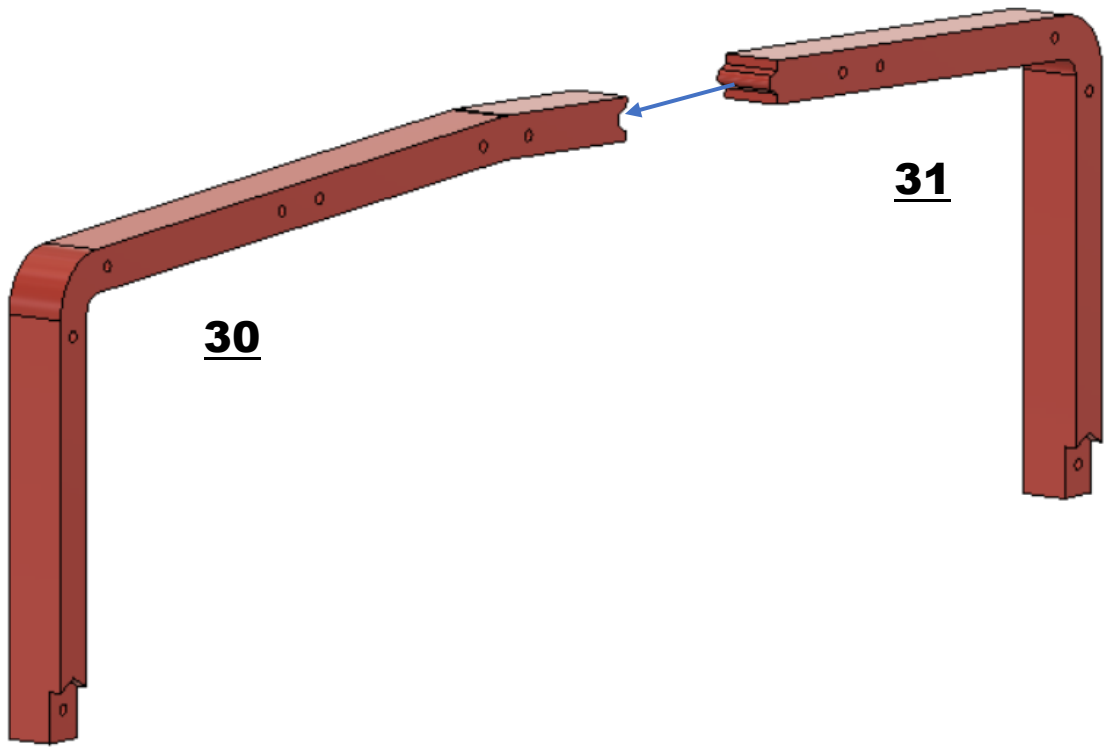
3- Move the body away from the cabin

4- Remove the bed

Make sure everything works easily and smoothly.

Master the griffin needed to take down/mount the body. Your diligence in this step will pay off when the body is complete.

Bodywork

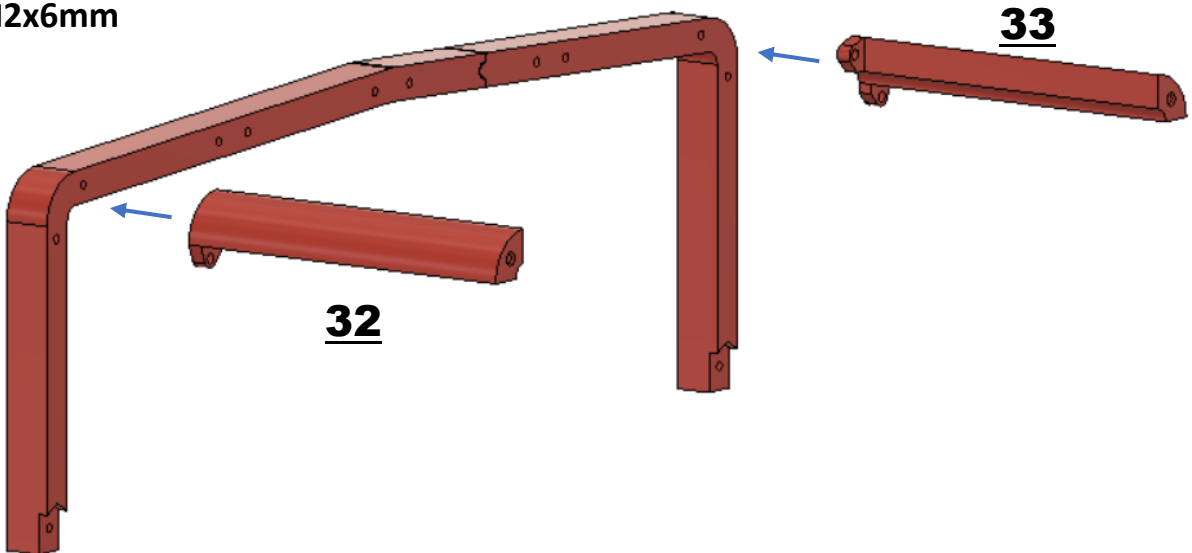


30

31



4xM2x6mm



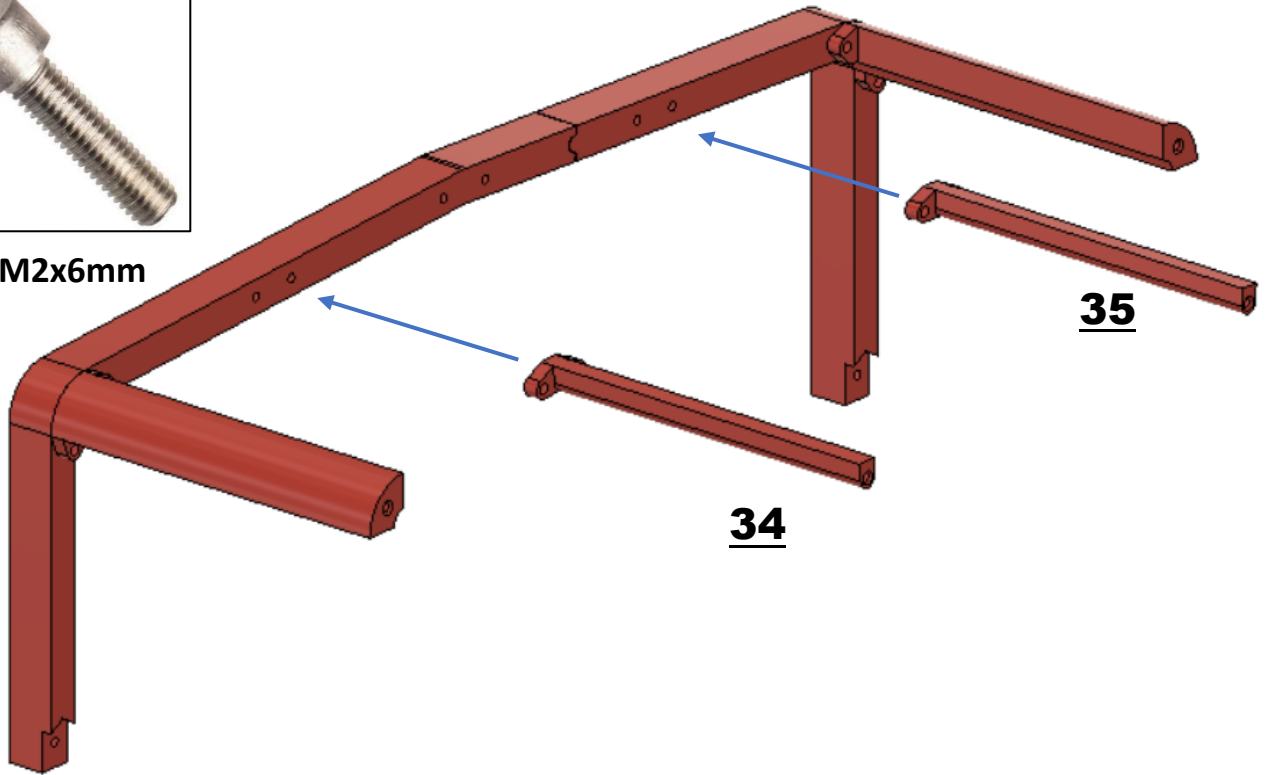
32

33

Bodywork



4xM2x6mm

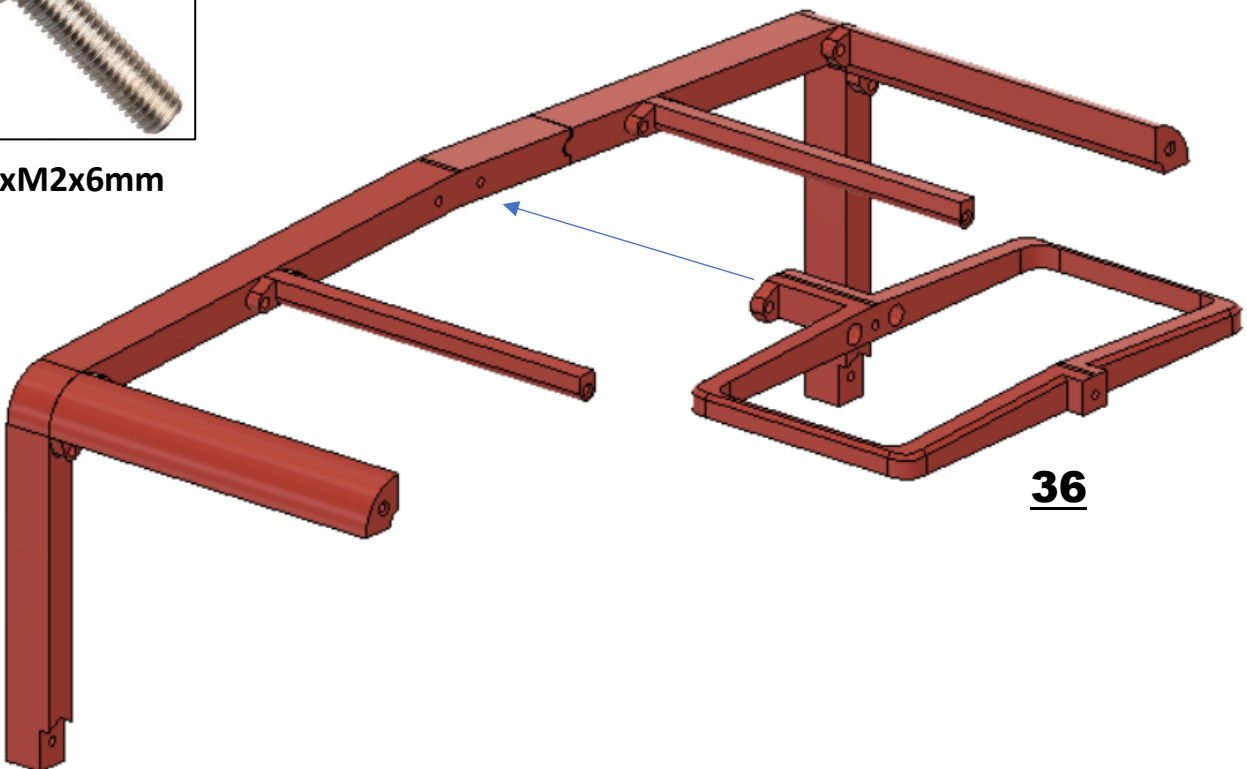


34

35

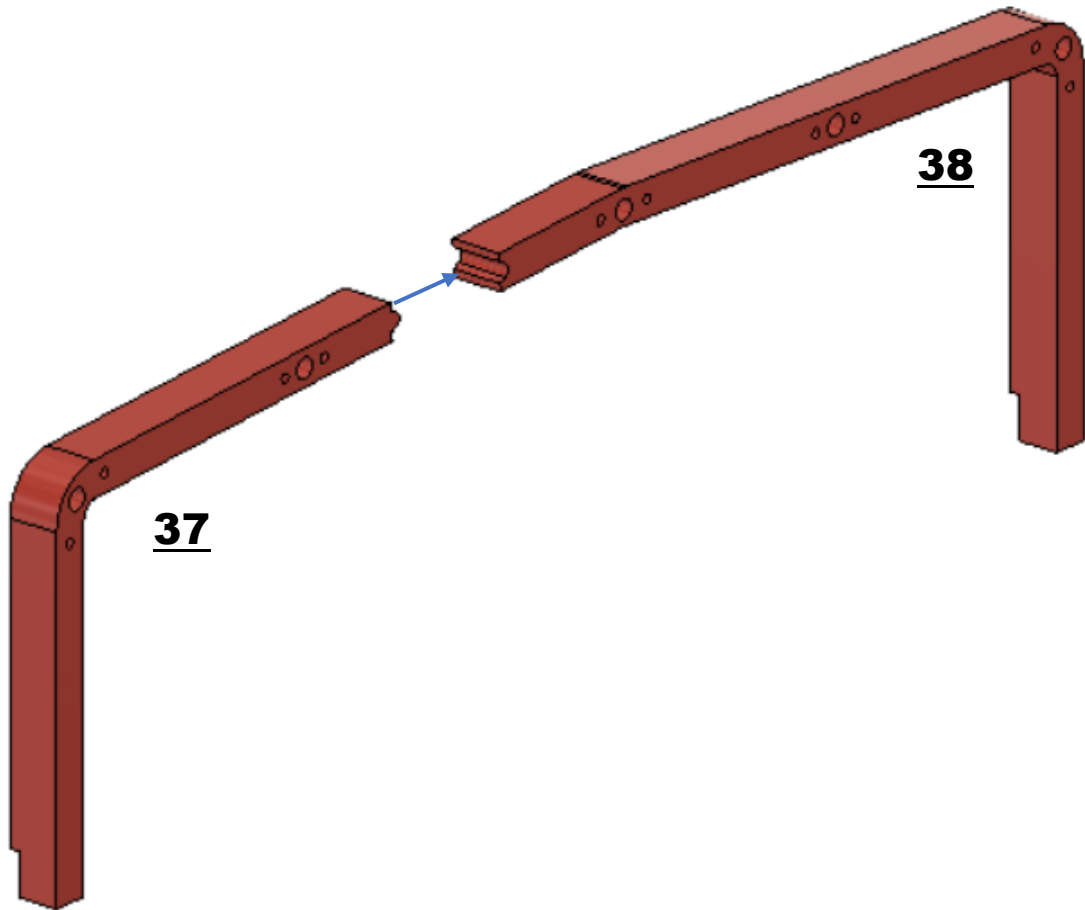


2xM2x6mm

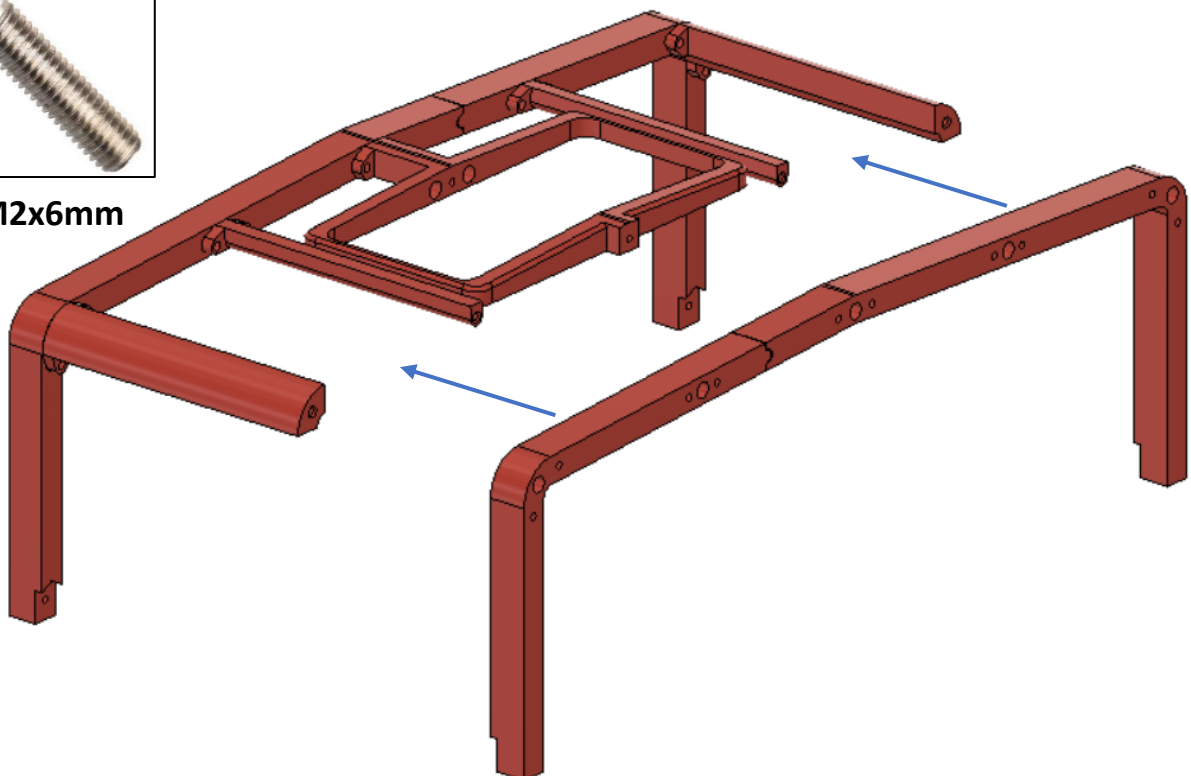


36

Bodywork



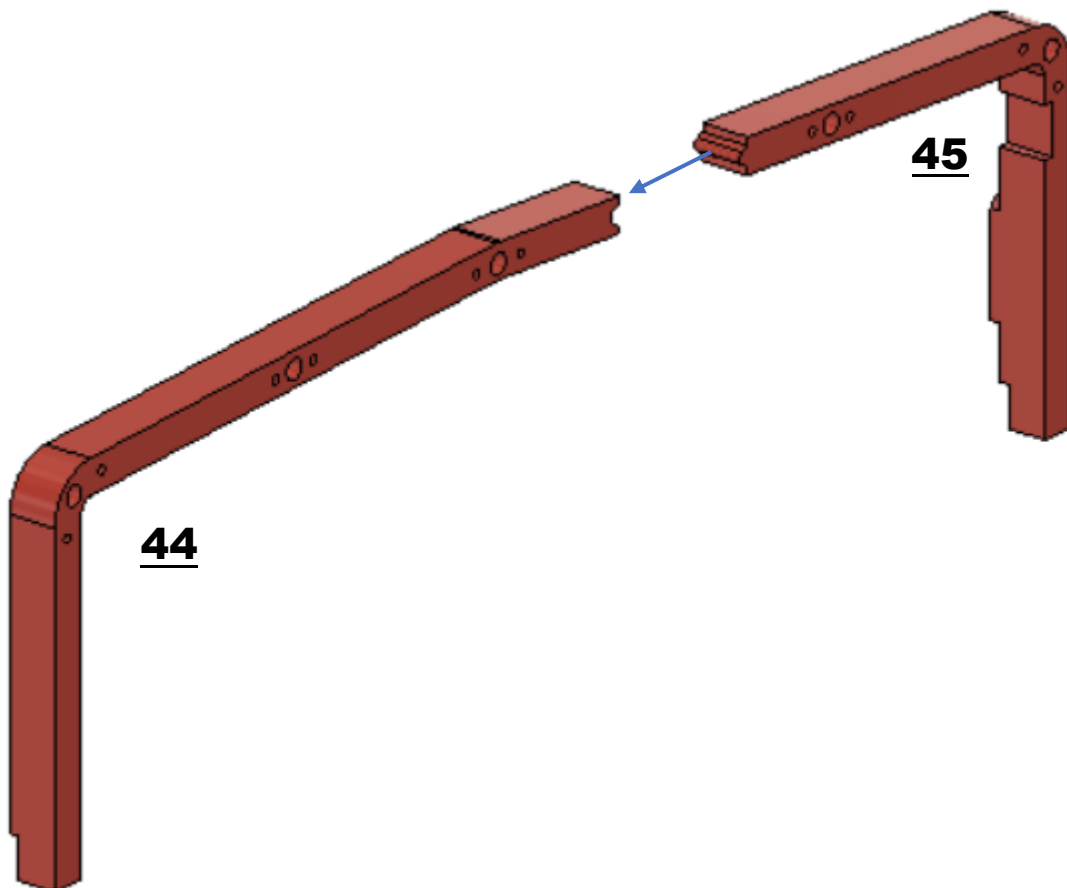
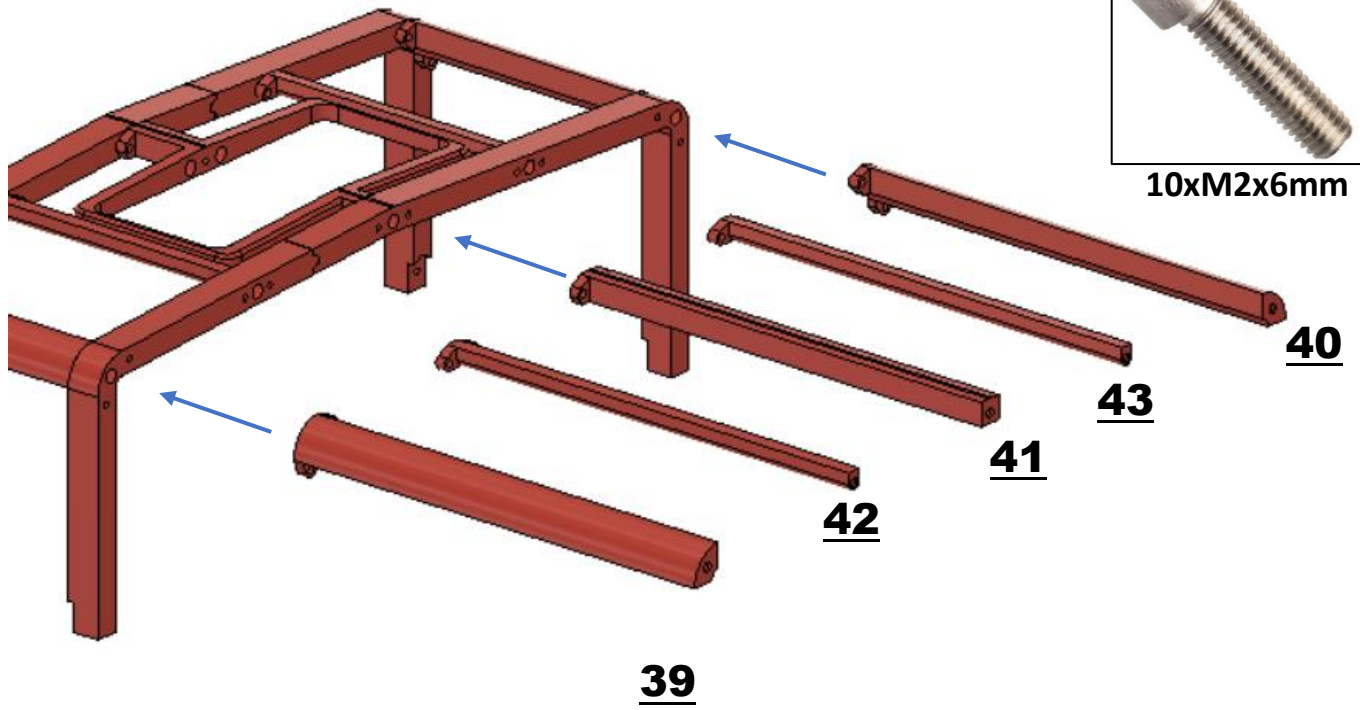
5xM2x6mm



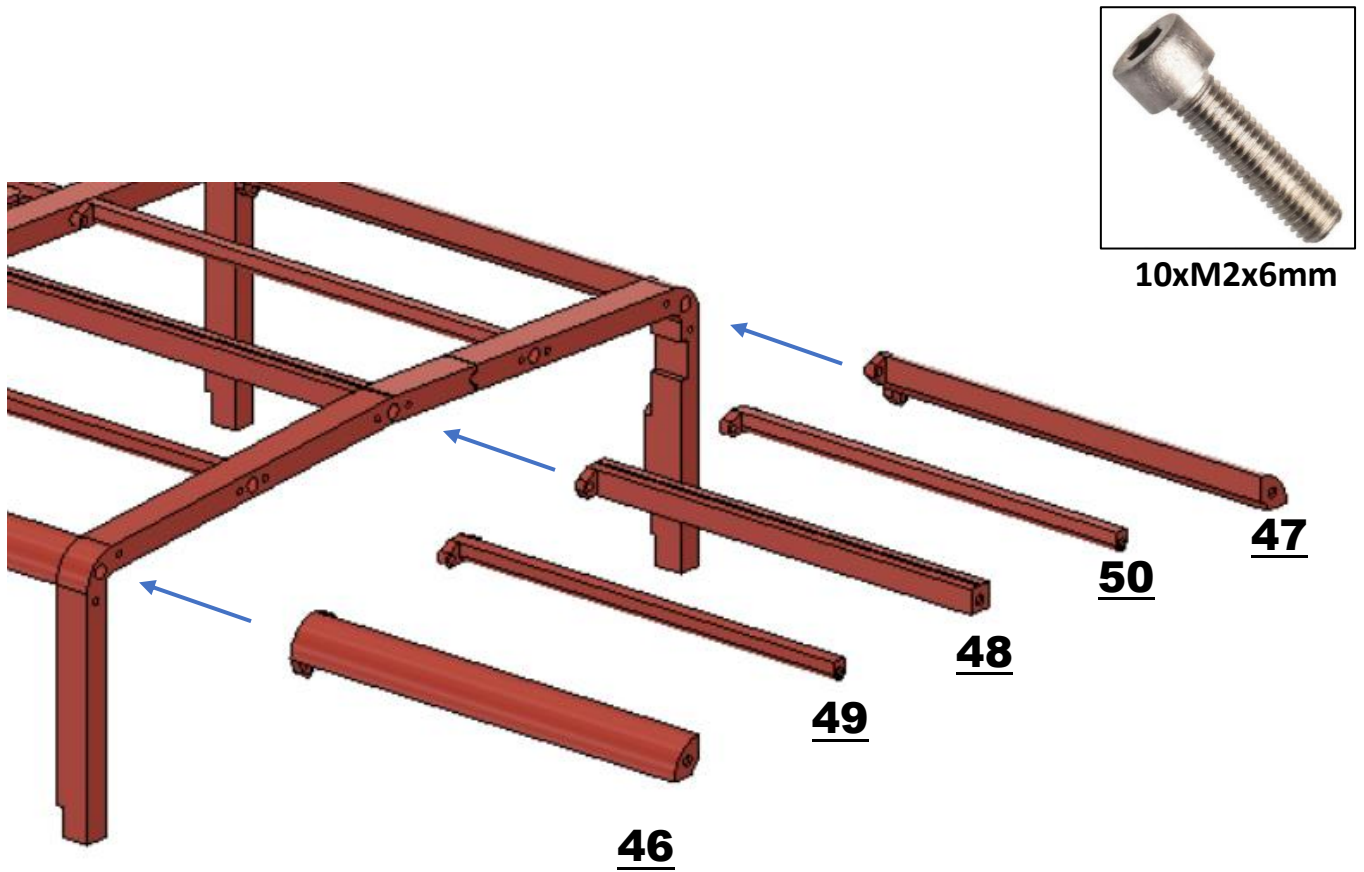
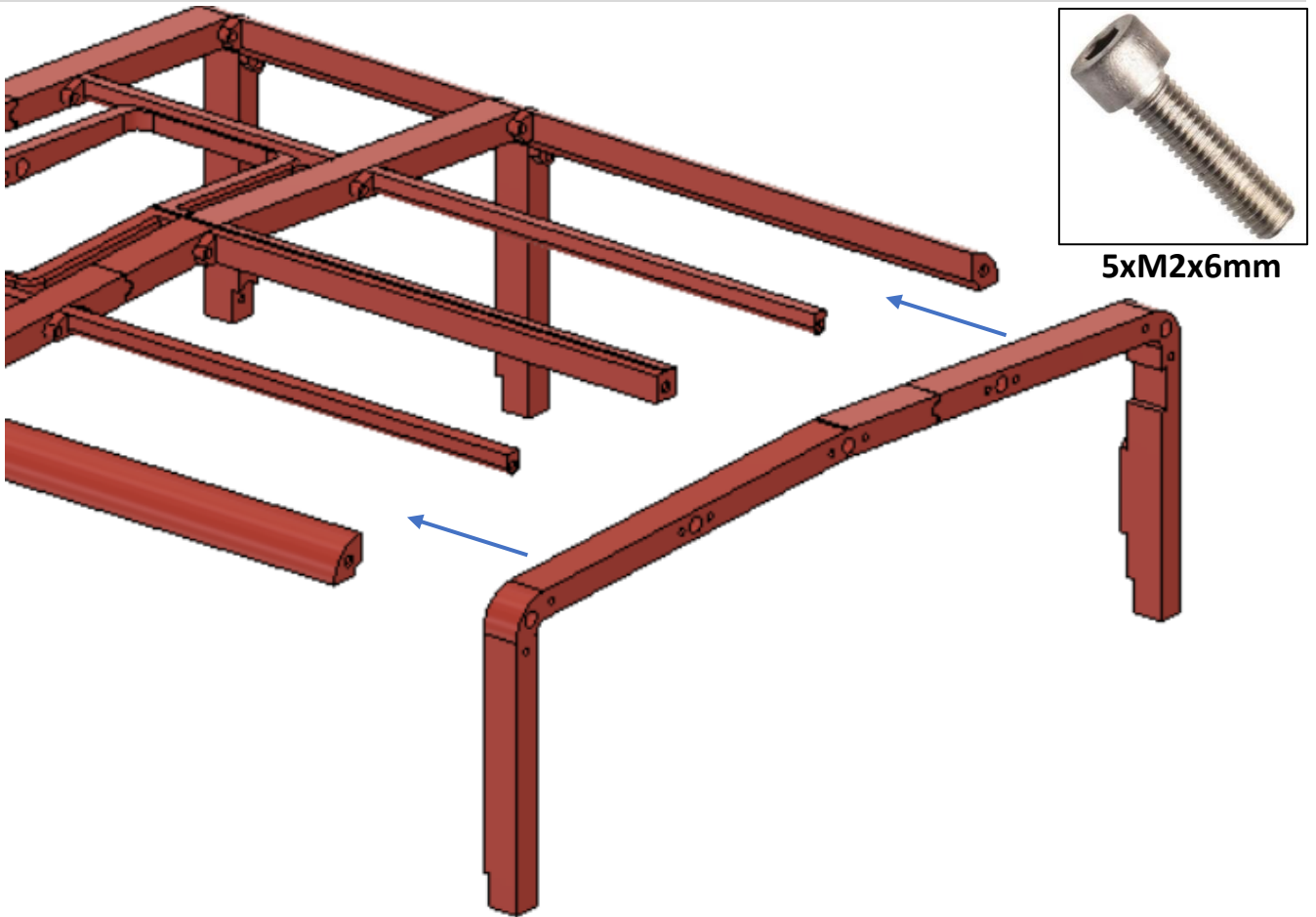
Bodywork



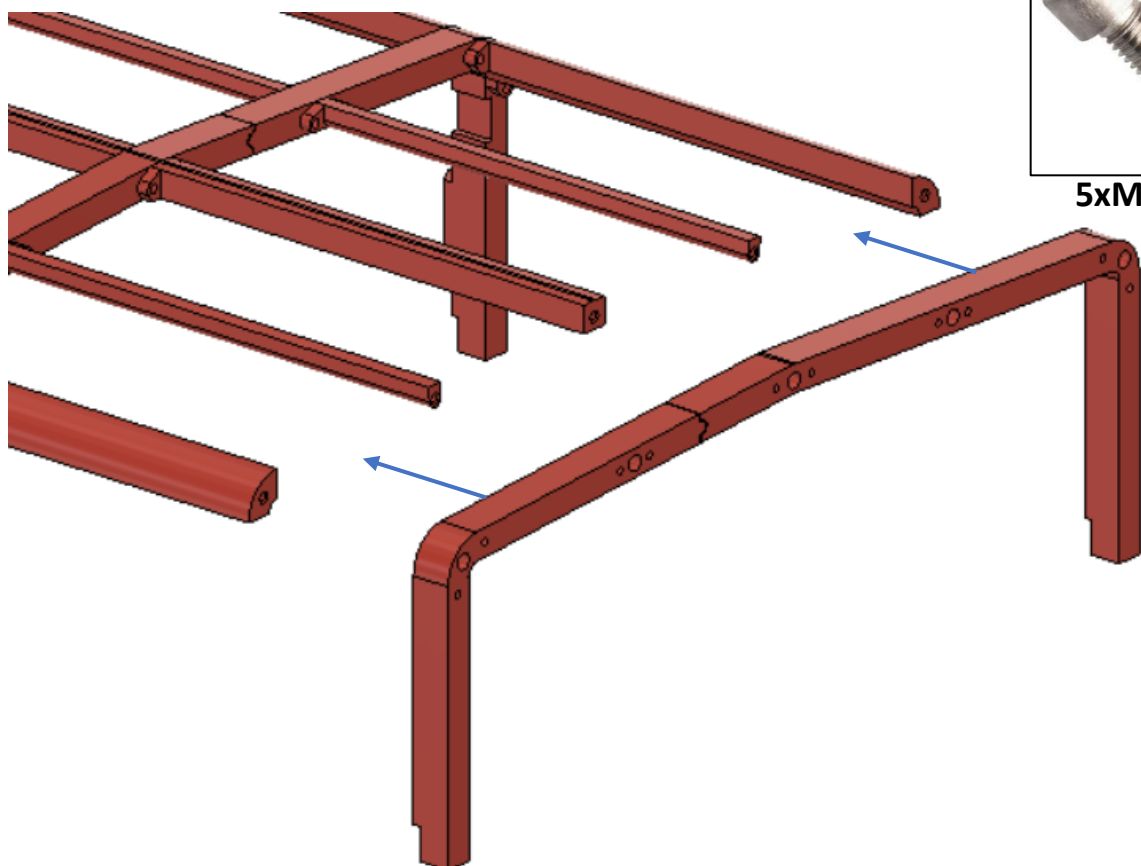
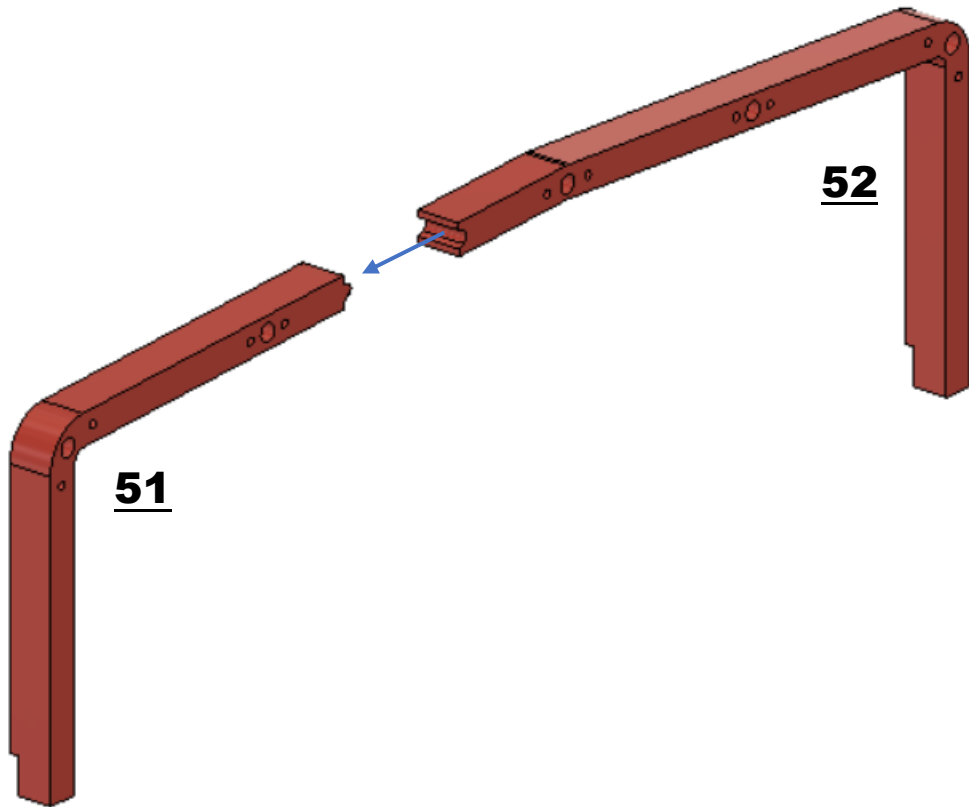
10xM2x6mm



Bodywork



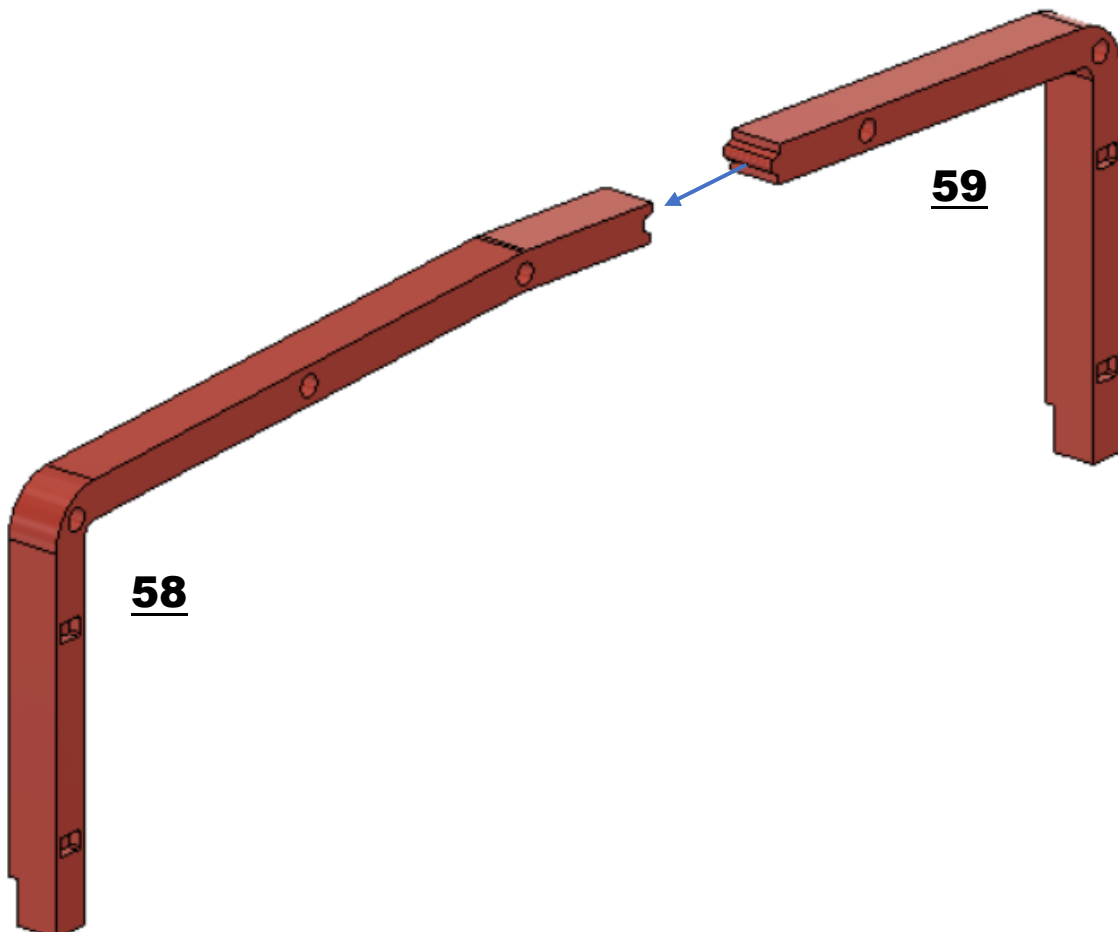
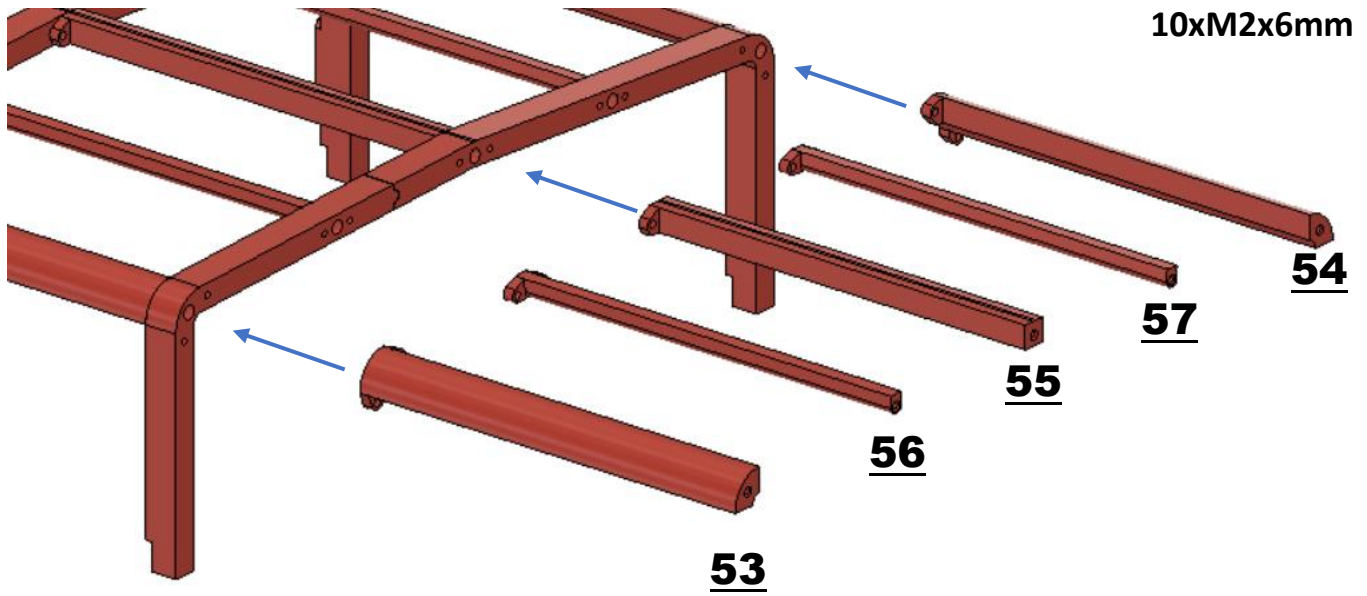
Bodywork



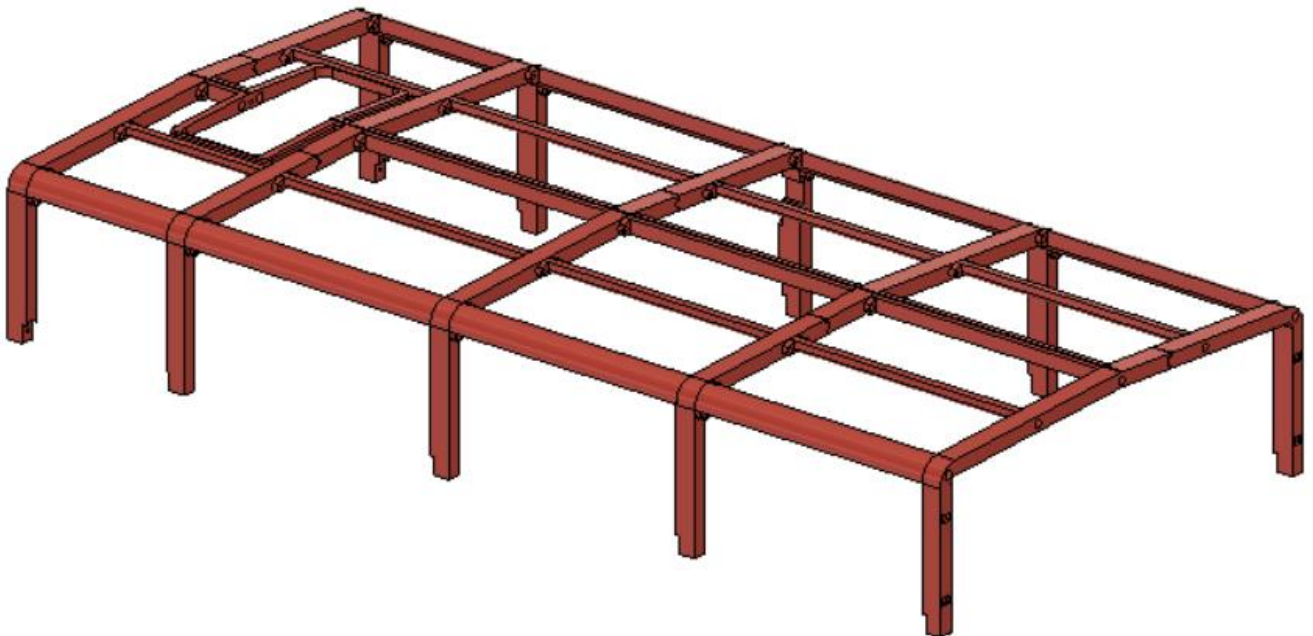
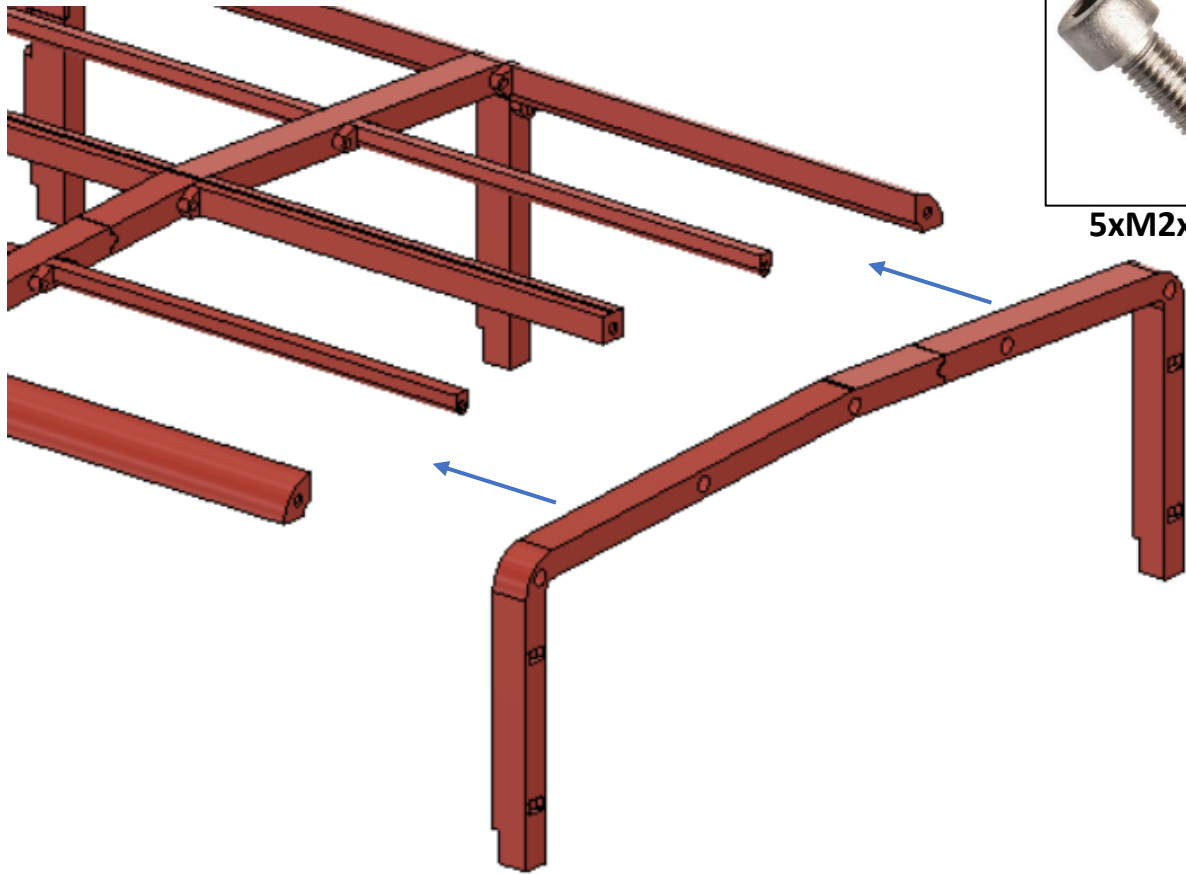
Bodywork



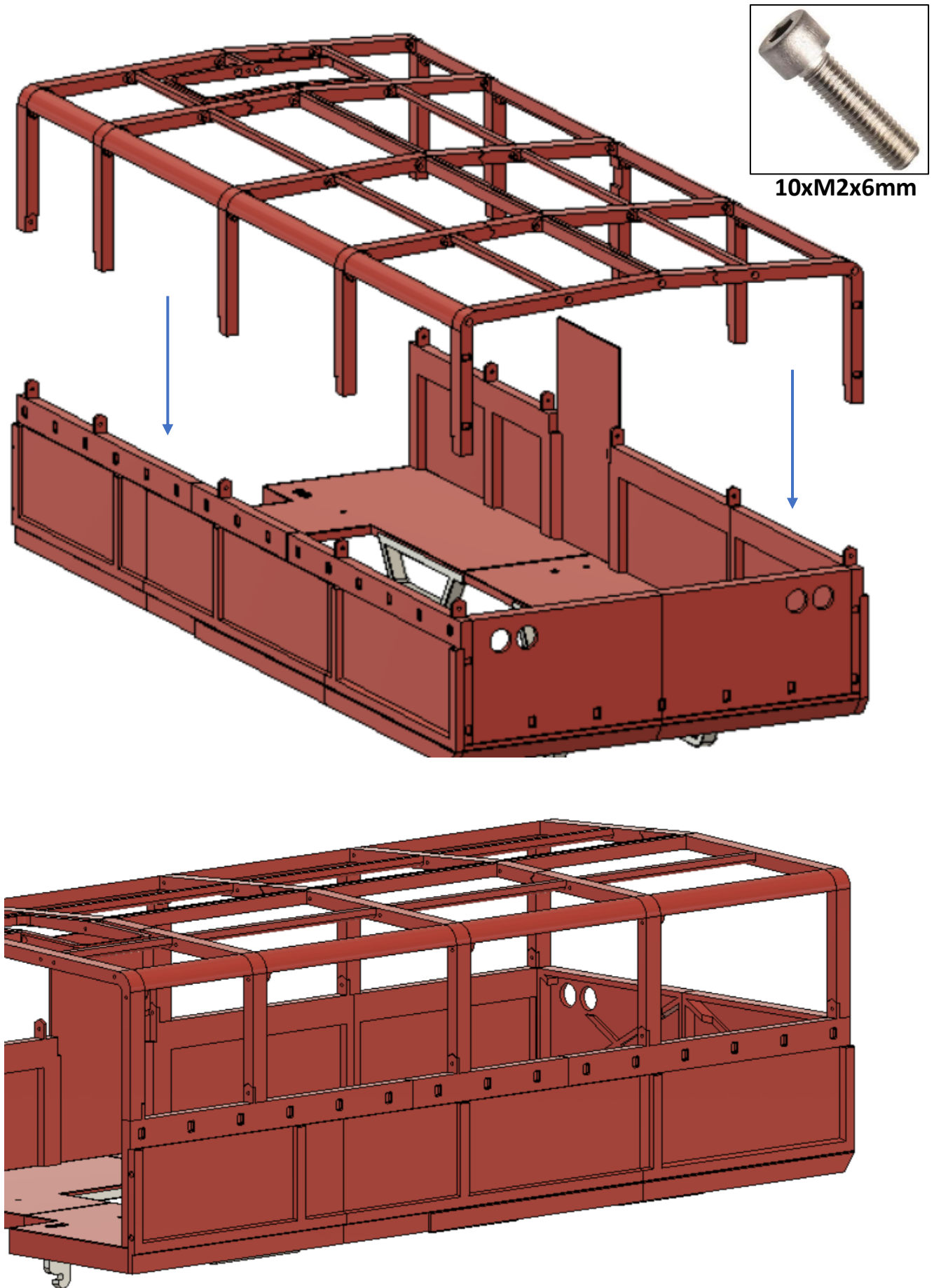
10xM2x6mm



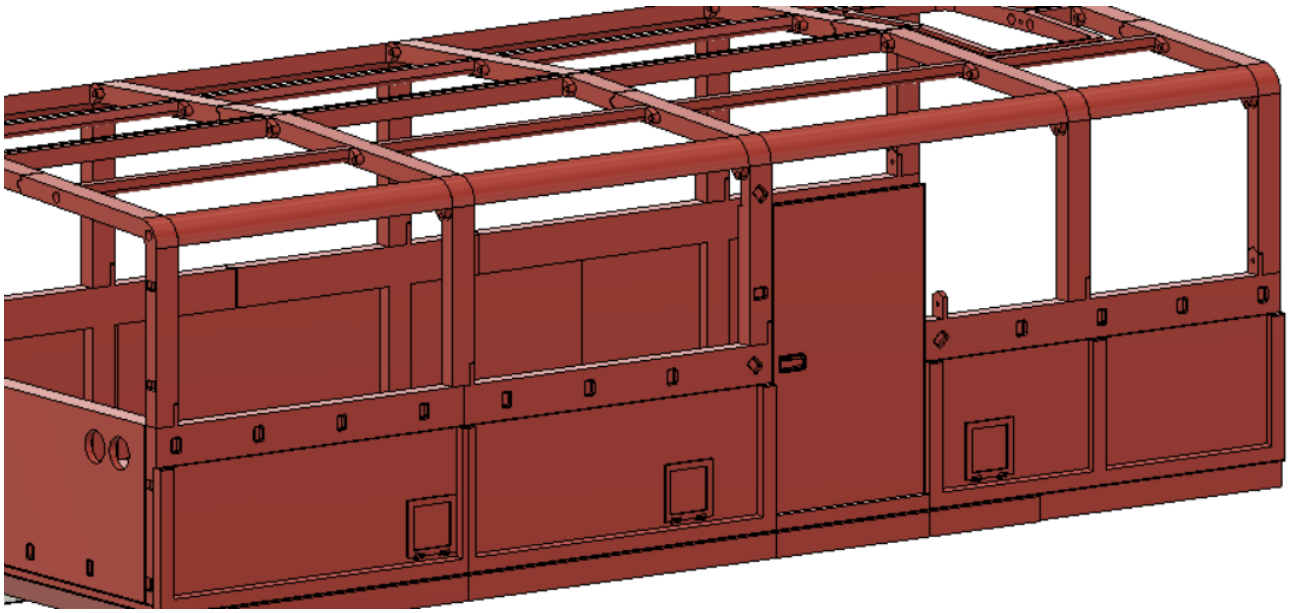
Bodywork



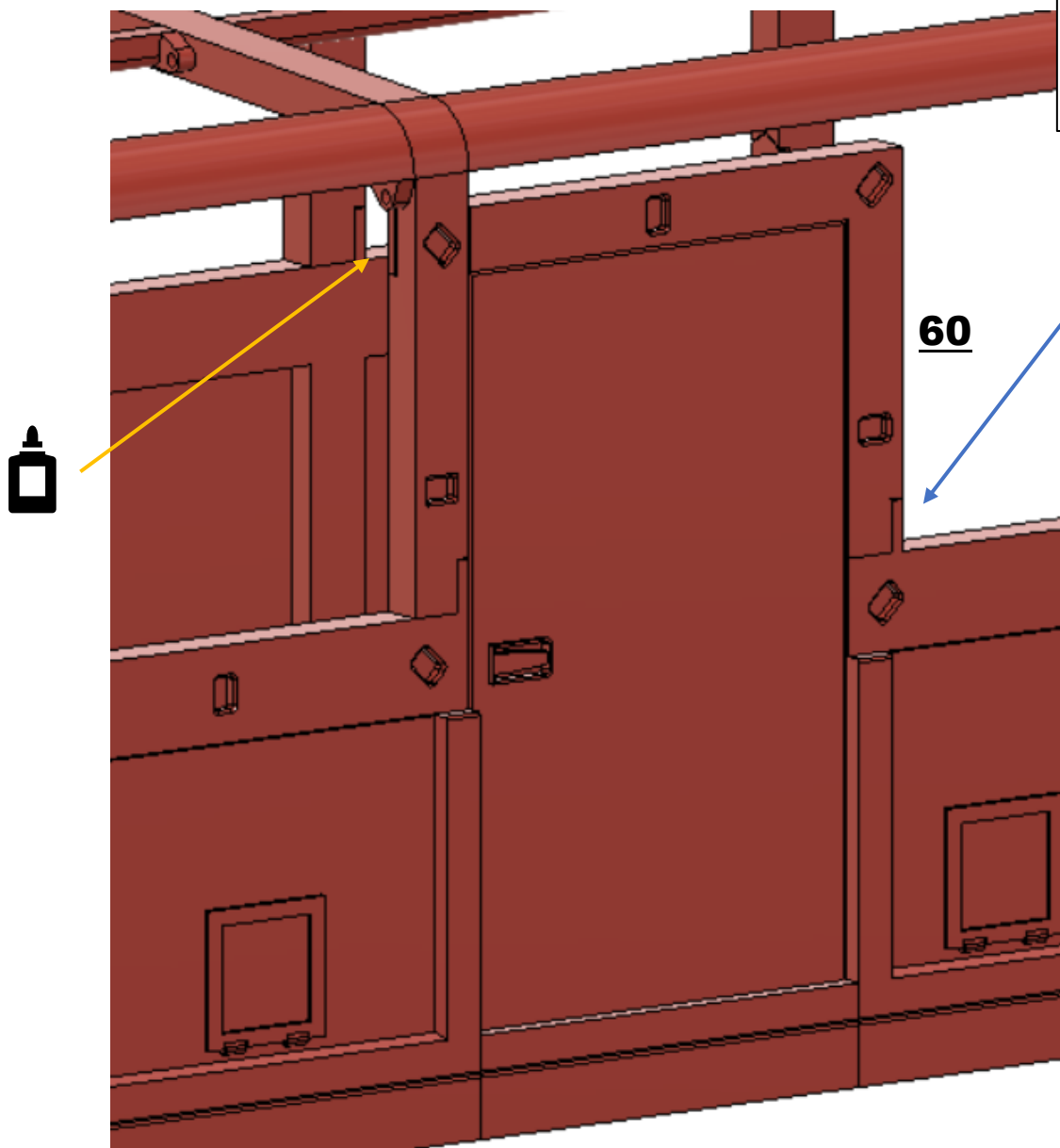
Bodywork



Bodywork

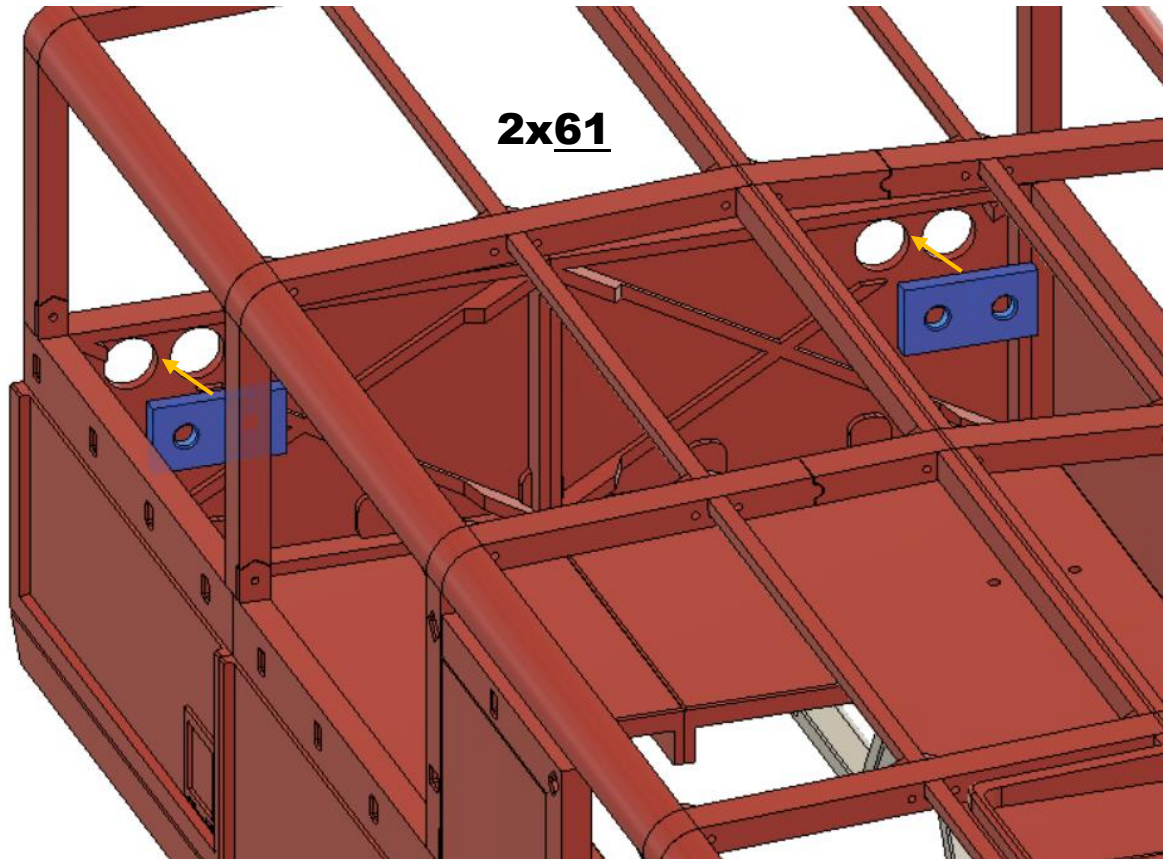


1xM2x6mm



60

Bodywork

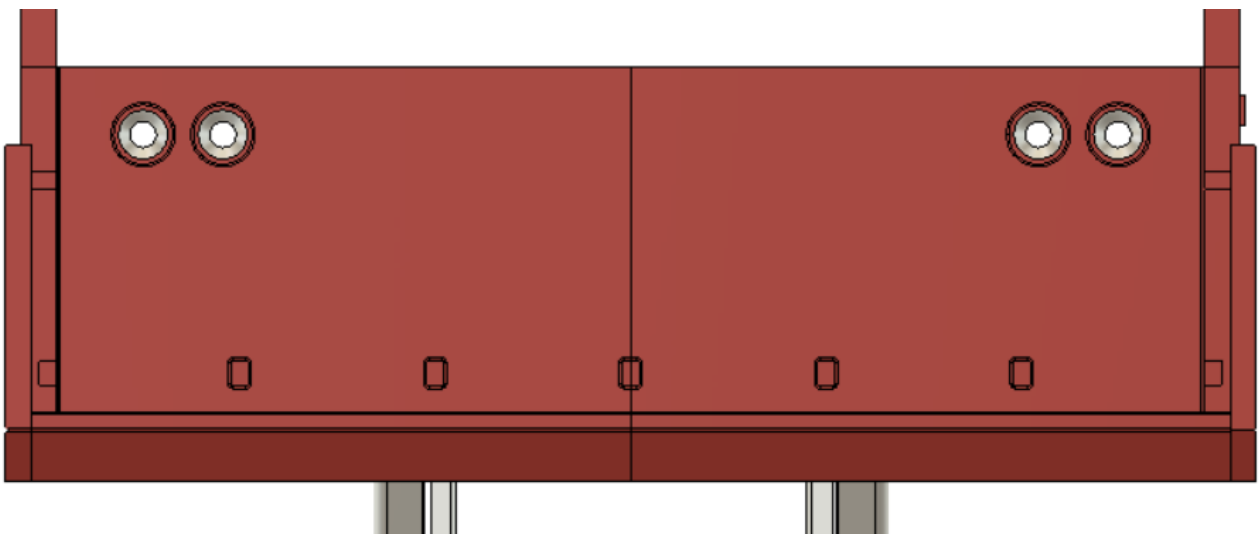


Insert 5mm LED 2xred 2xyellow or 4xred into parts 61

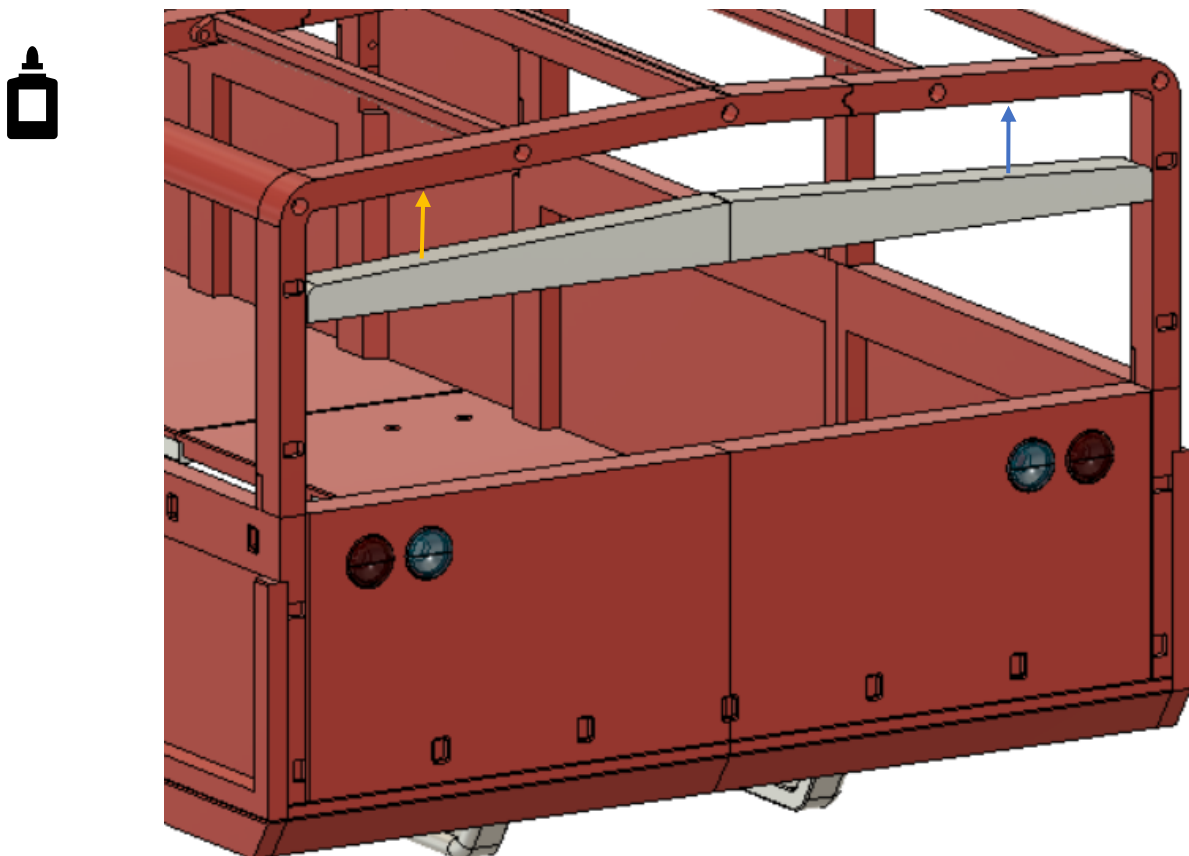
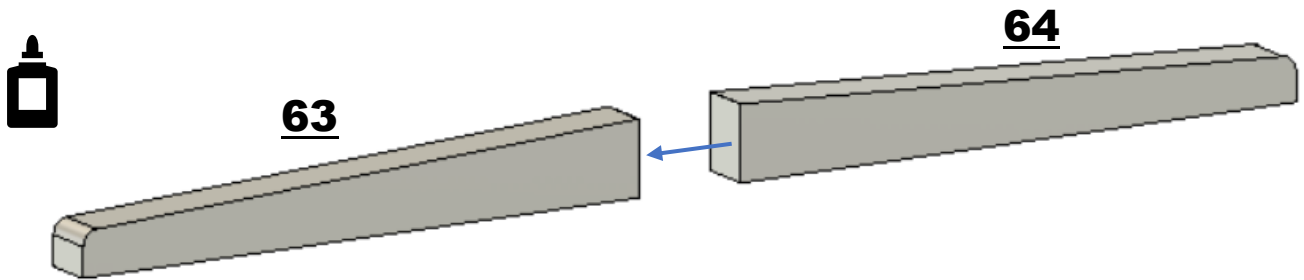
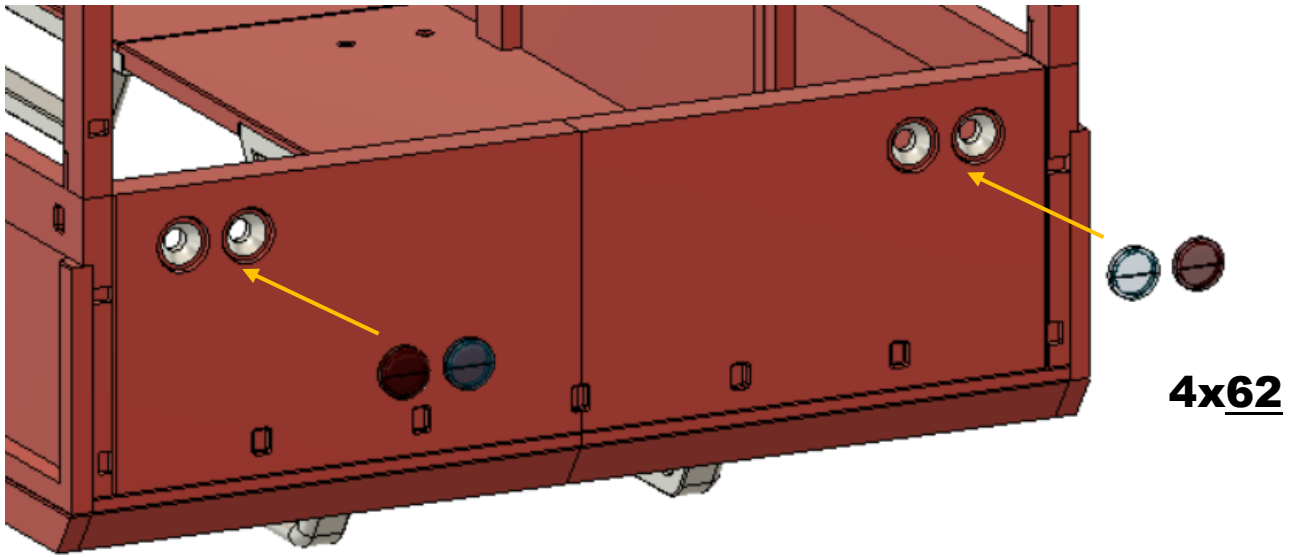
Possible variants:

internal – blinkers external – outline

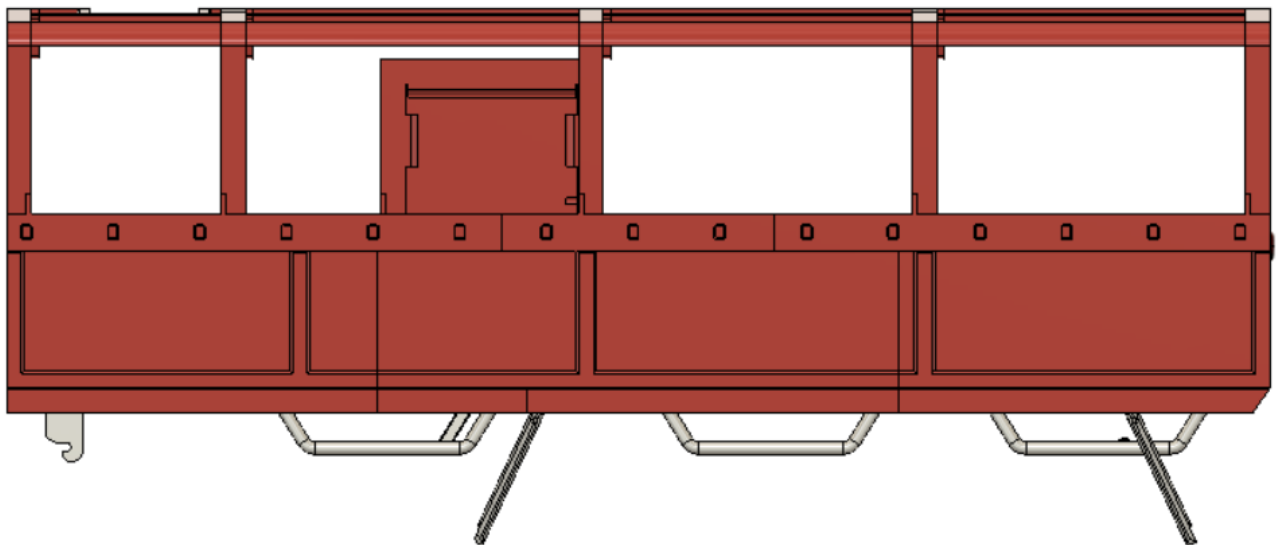
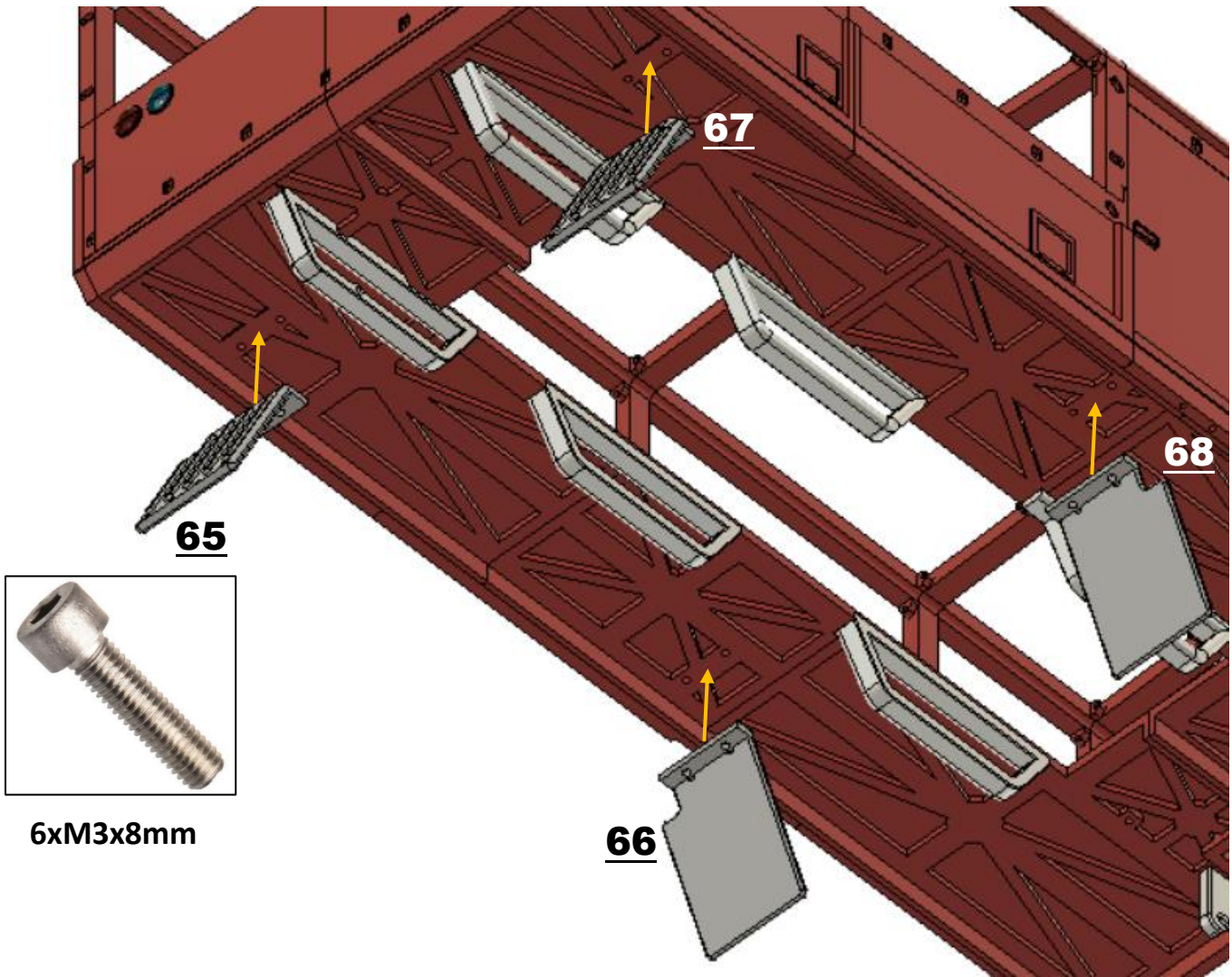
internal - brake external - contour



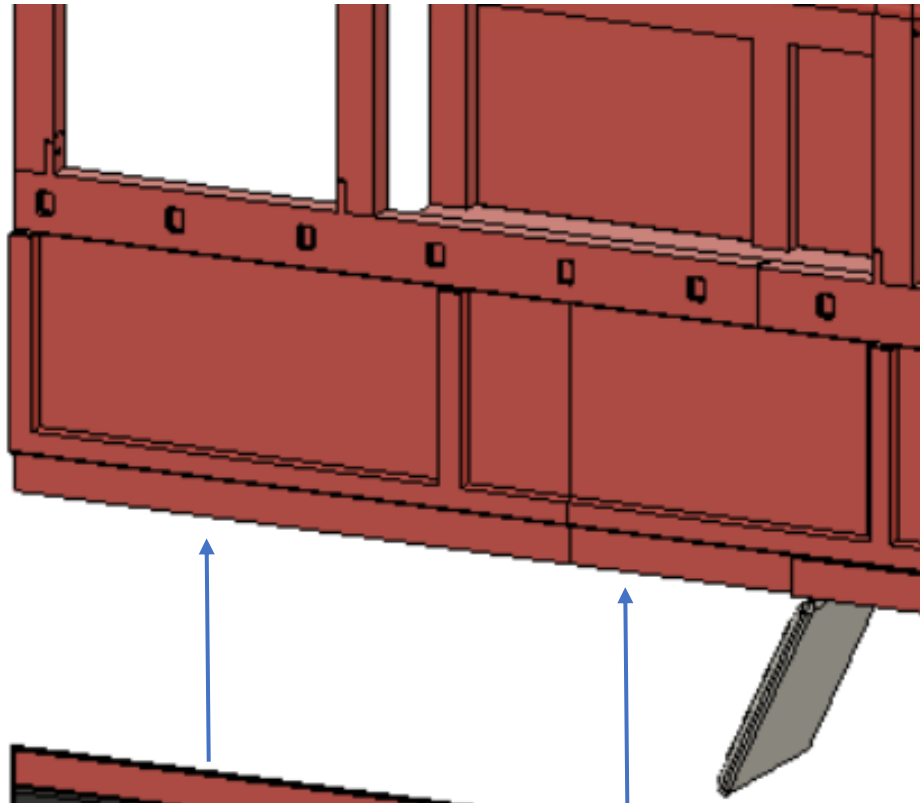
Bodywork



Bodywork



Bodywork

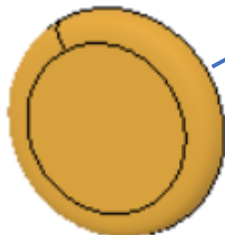


69

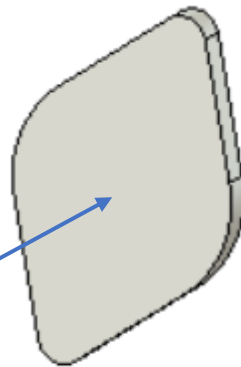
70



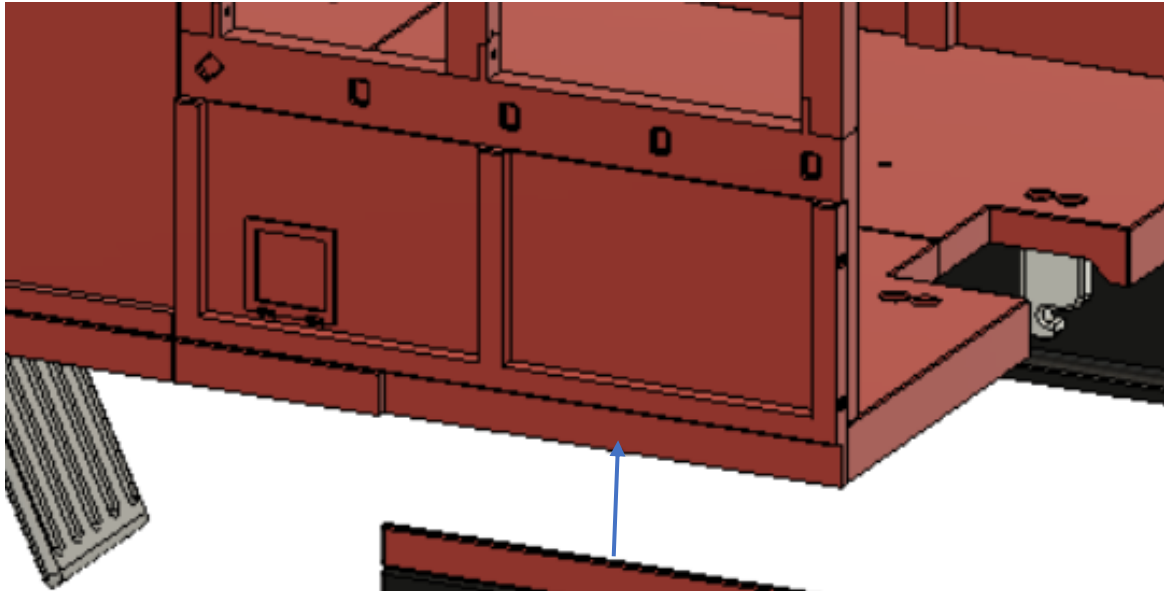
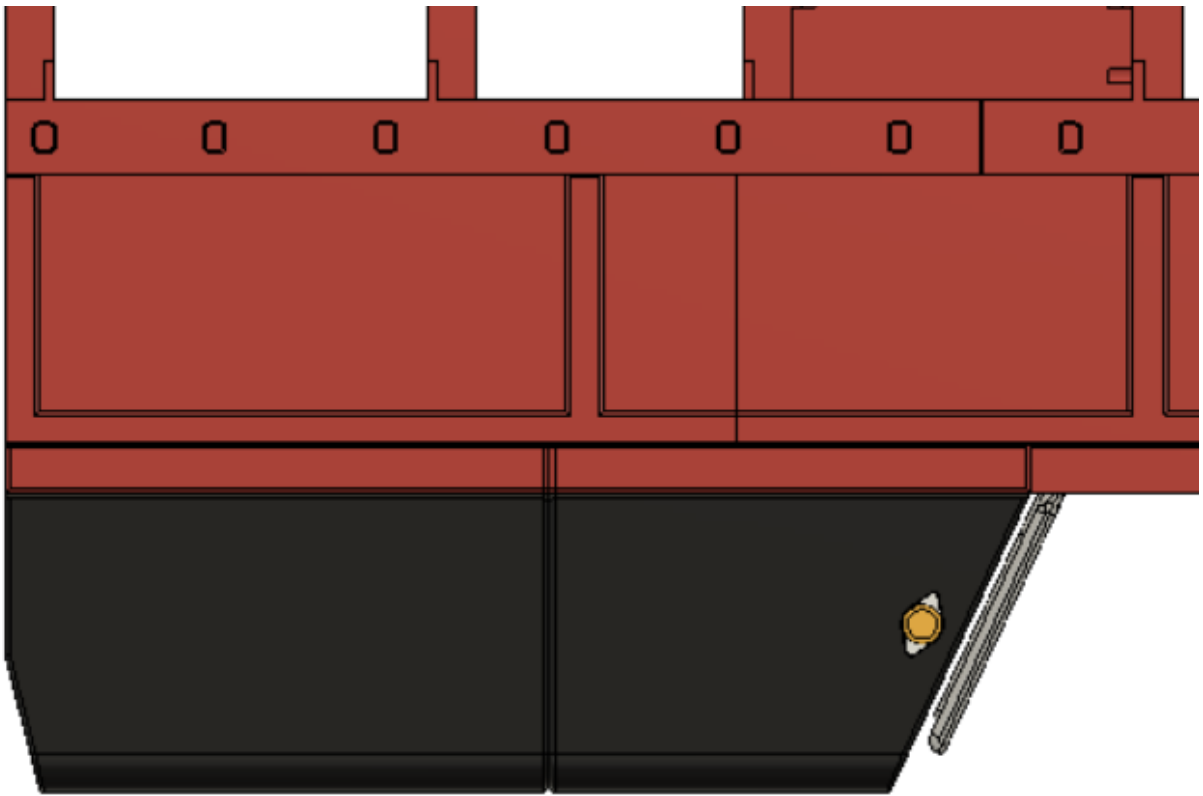
72



71



Bodywork

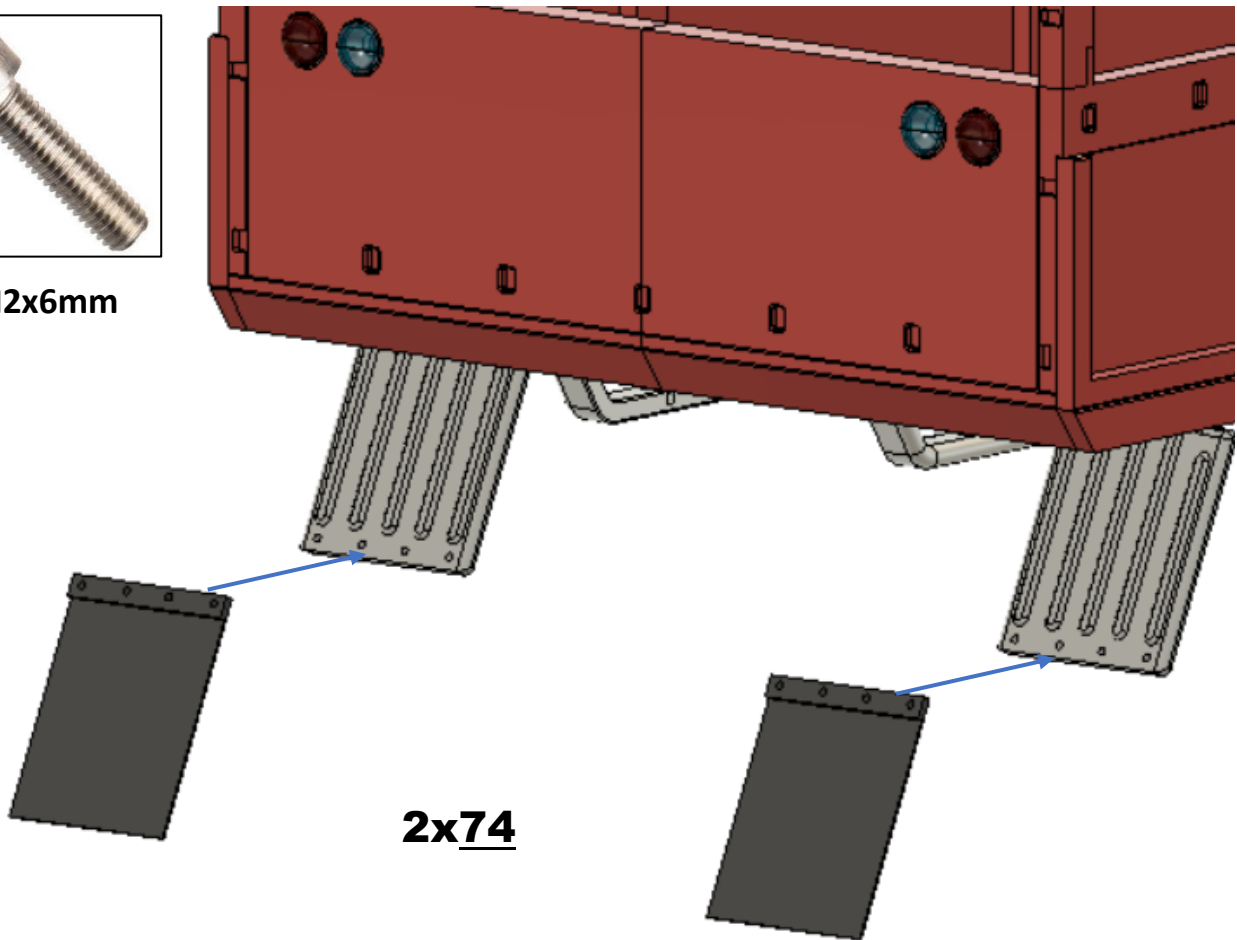


73

Bodywork



8xM2x6mm



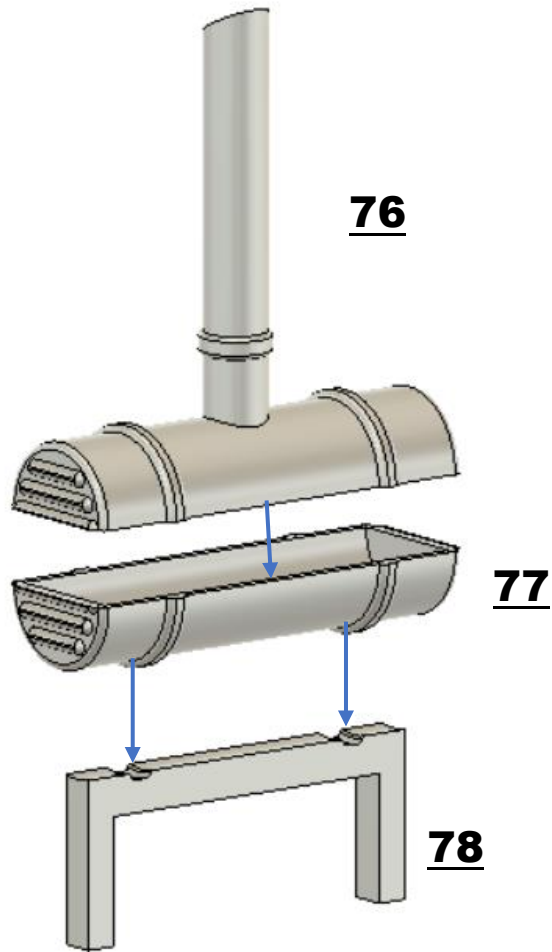
2x74

Both sides and back

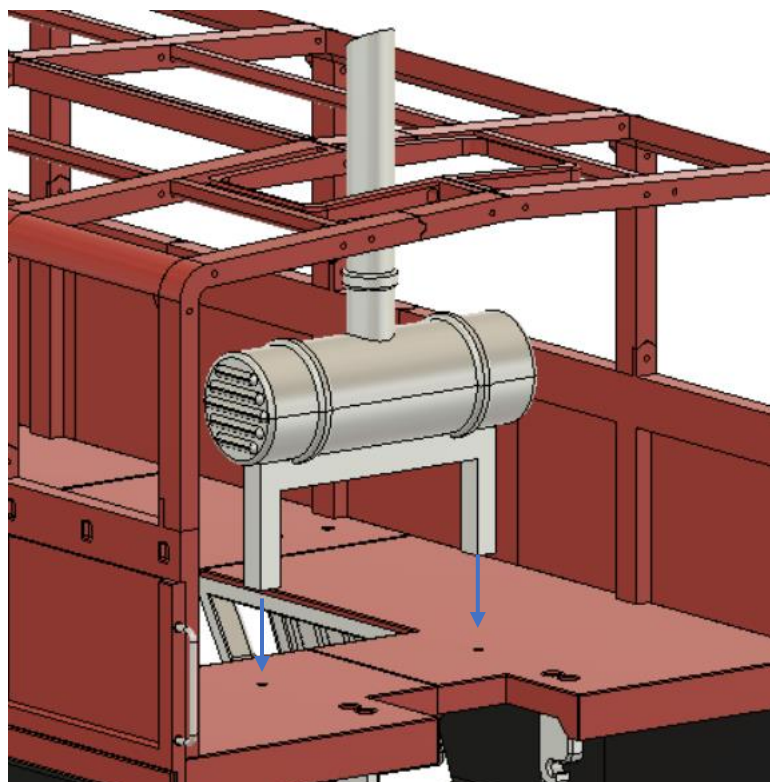


46x 75

Bodywork

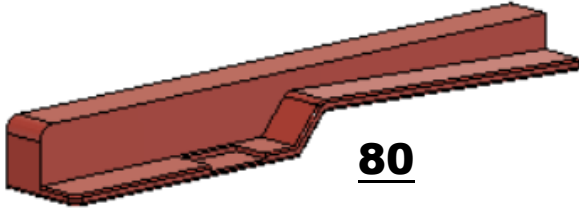


I recommend performing the following steps only after installing the tarpaulin.

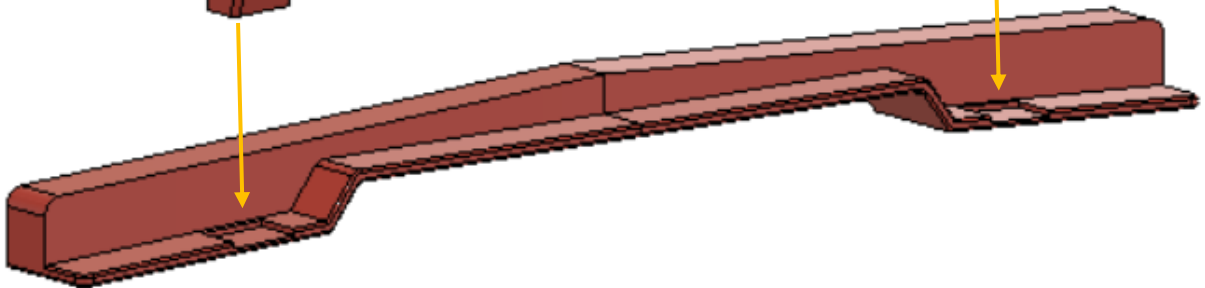


2xM3x10mm

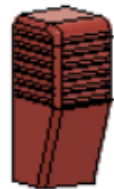
Bodywork



82

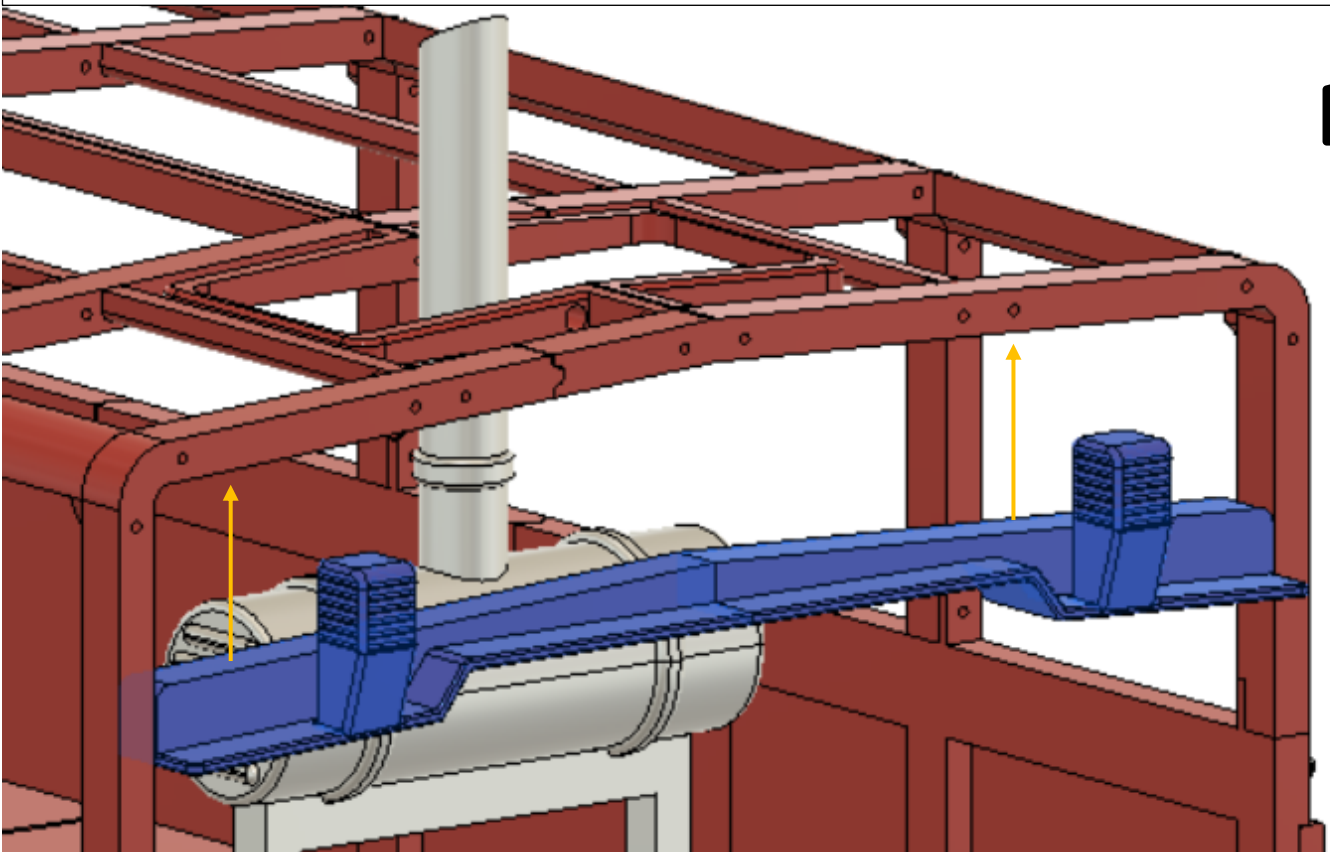


81



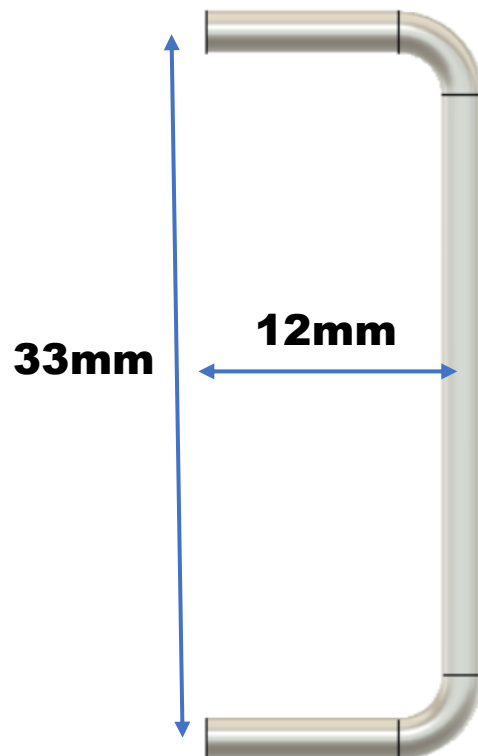
Bodywork

I recommend performing the following steps only after installing the tarpaulin.

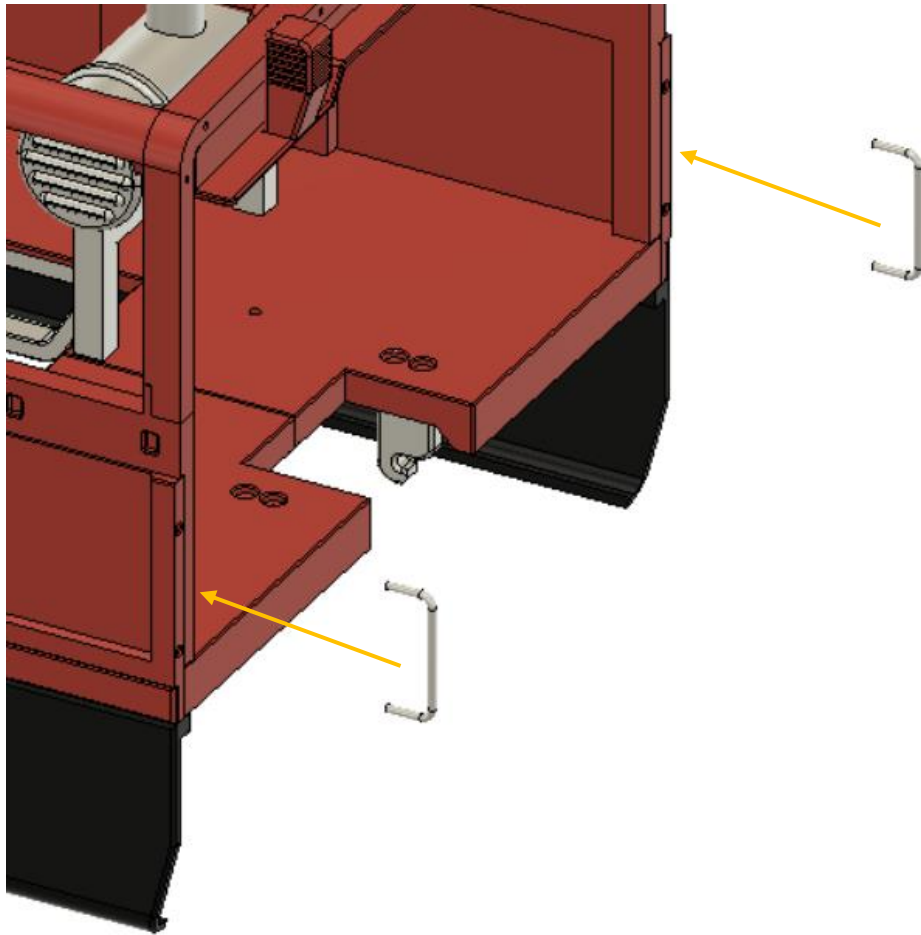


Brass wire 2mm

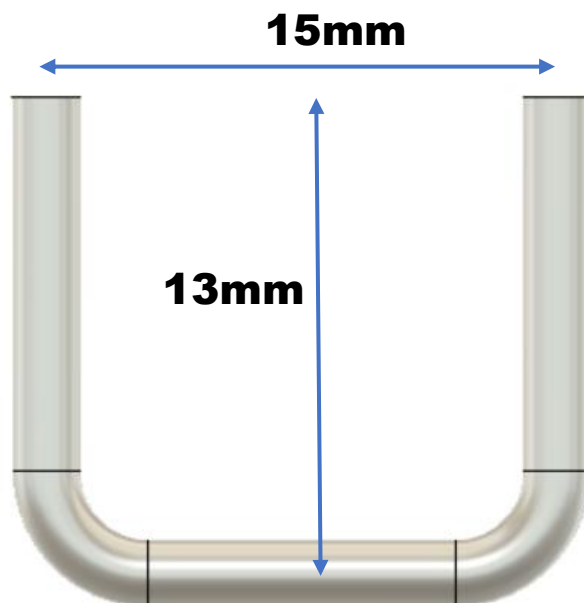
2x



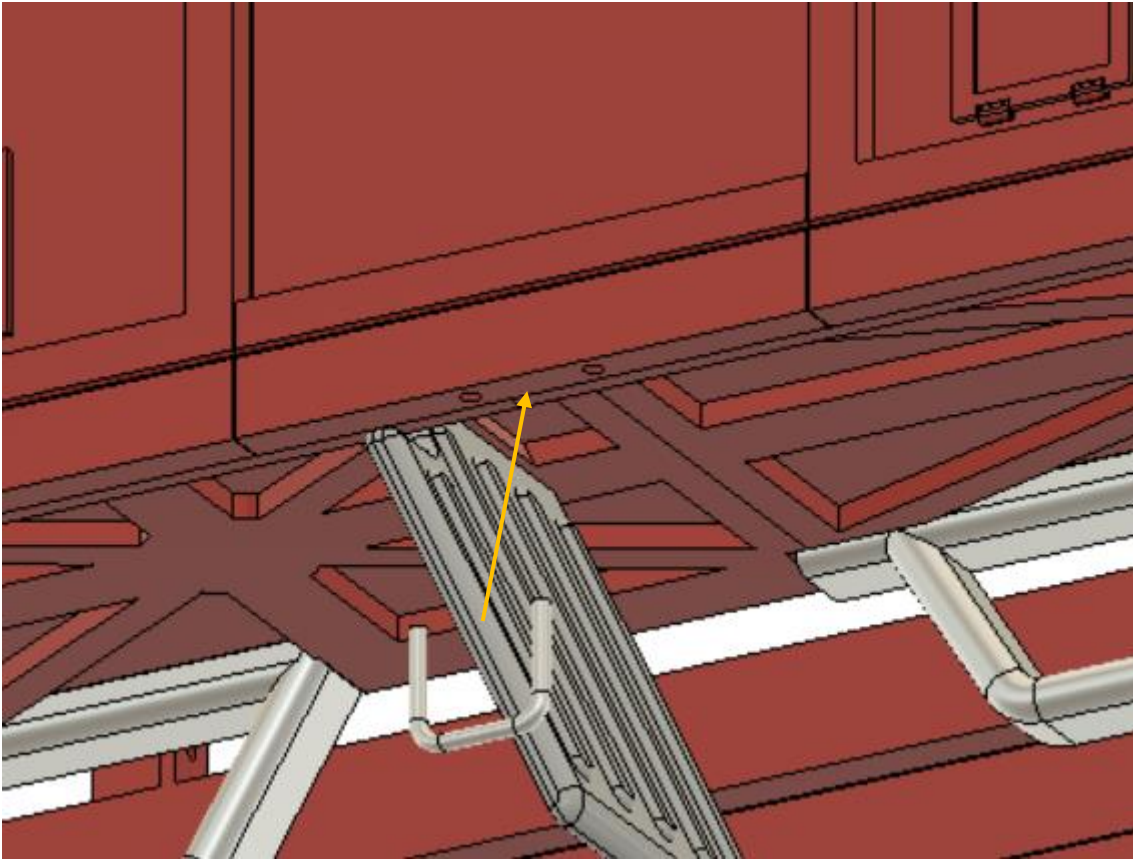
Bodywork



Brass wire 2mm



Bodywork



Adjust the dampers so that when the model is fully assembled and fitted, the half axes are level.

Adjust the servo stops carefully.

You only have to line up when the model is in motion. Slow down when shifting.

Limit the steering servo so that the wheels do not rub anywhere during full speed.

I recommend printing all stressed chassis parts from Prusament PC.

Now all you have to do is make the tarpaulin and apply the decals

The production of the sail has its own instructions, which are part of the model.

Decals have their own instructions, which are part of the model.

Enjoy the model

